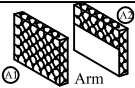
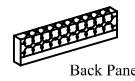
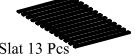





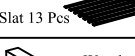
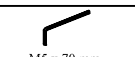
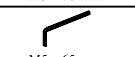
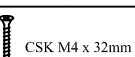



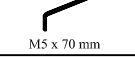
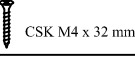
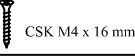

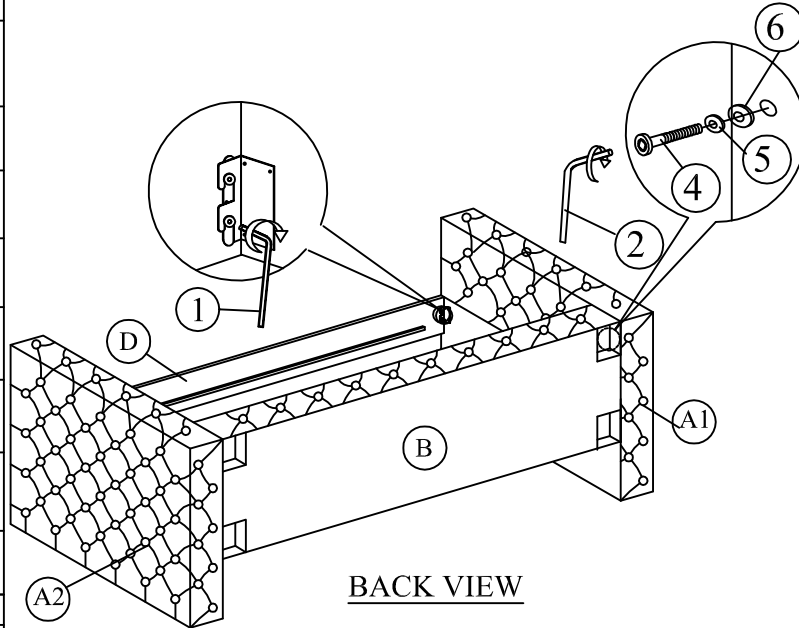


ASSEMBLY INSTRUCTION

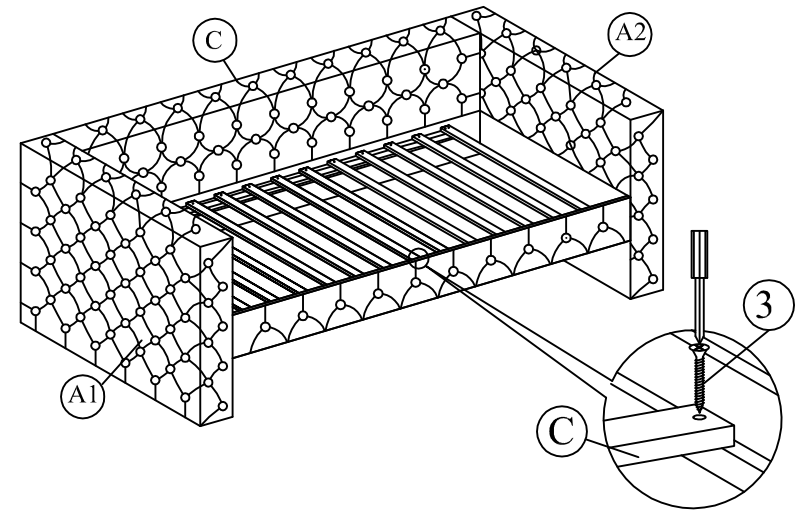
3'		
A	 Arm	1 pc
B	 Back Panel	1 pc
C	 Slat 13 Pcs	1 pc
D	 Front Side Rail (PU)	1 pc
E	 Trundle Front Panel (PU)	1 pc
F	 Trundle Back Panel	1 pc
G	 Trundle Side Panel	2 pcs
H	 Slat 13 Pcs	1 pc
I	 Wooden Block	4 pcs
Packing Hardware (1)		
1	 M5 x 70 mm	1 pc
2	 M5 x 65 mm	1 pc
3	 CSK M4 x 32mm	32 pcs
4	 JCBC M6 X 50	4 pcs
5	 SPRING WASHER	4 pcs
6	 FLAT WASHER	4 pcs
Packing Hardware (2)		
7	 M5 x 70 mm	1 pc
8	 CSK M4 x 32 mm	32 pcs
9	 CSK M4 x 16 mm	24 pcs
10	 Roller	6 pcs

Step 1: Attach the back panel (B) to arm (A). Attach side rail (D) to arm (A) by pushing the bracket down to fit it. Tighten the 4 corner with Allen Key (1)

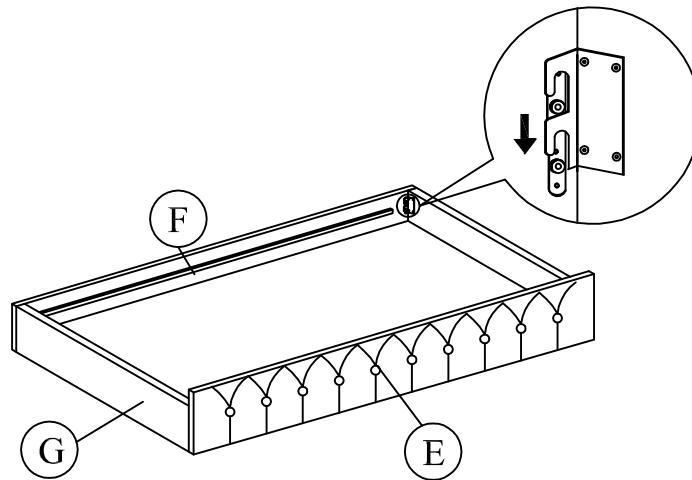


BACK VIEW

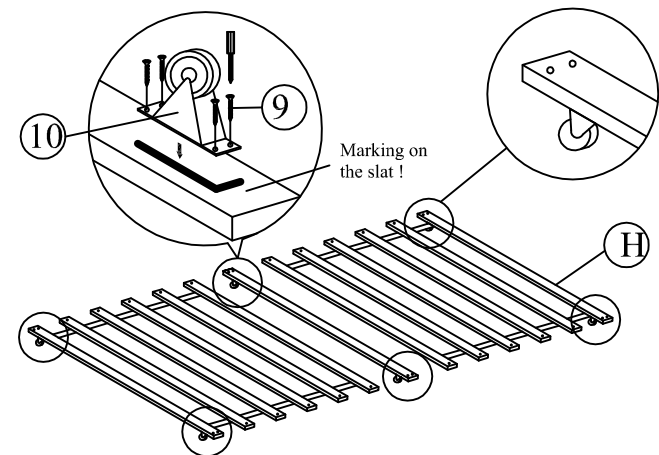
Step 2: Tighten the slats with CSK screw (3). The distance of the slats should be sufficient to obtain desirable bed stability.



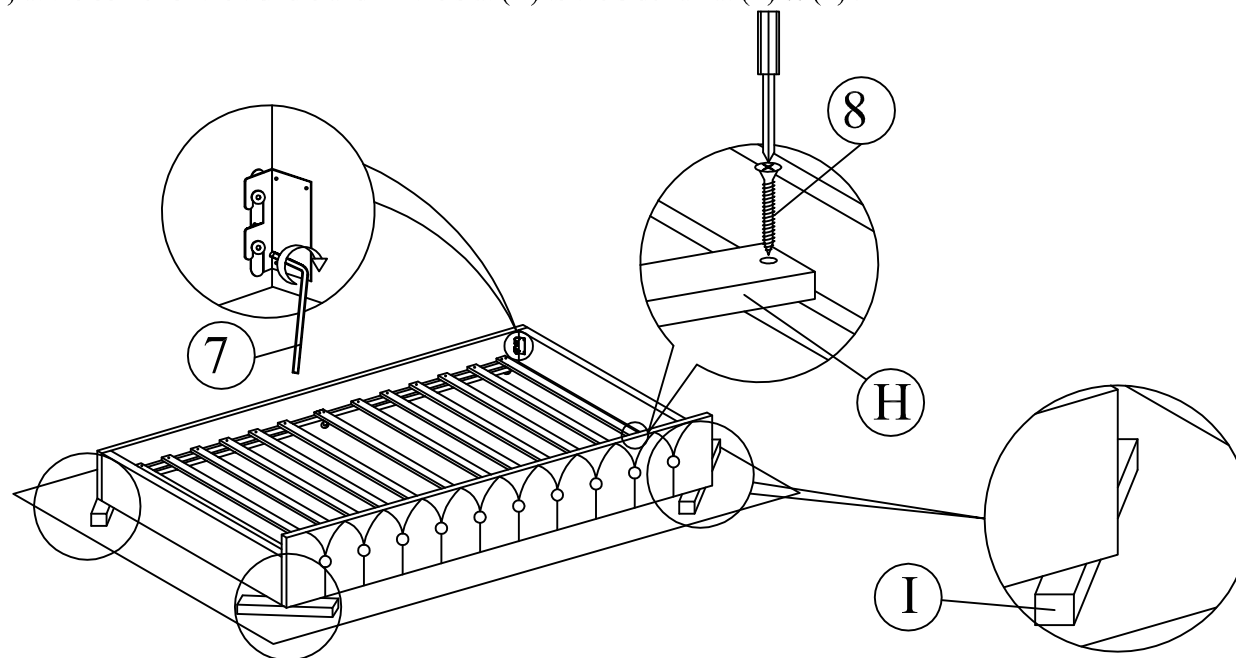
Step 3: Attach trundle side panel (G) and trundle front panel (E) to trundle back panel (F) by pushing the bracket down to fit it.



Step 4: Affix the roller (10) to the slat (H) follow the marking on the slat (H)



Step 6: Place the wooden blocks (I) at the corner of the trundle and fix the slat (H) to the side rail at (E) & (F) .



Step 7: Assembly is complete

