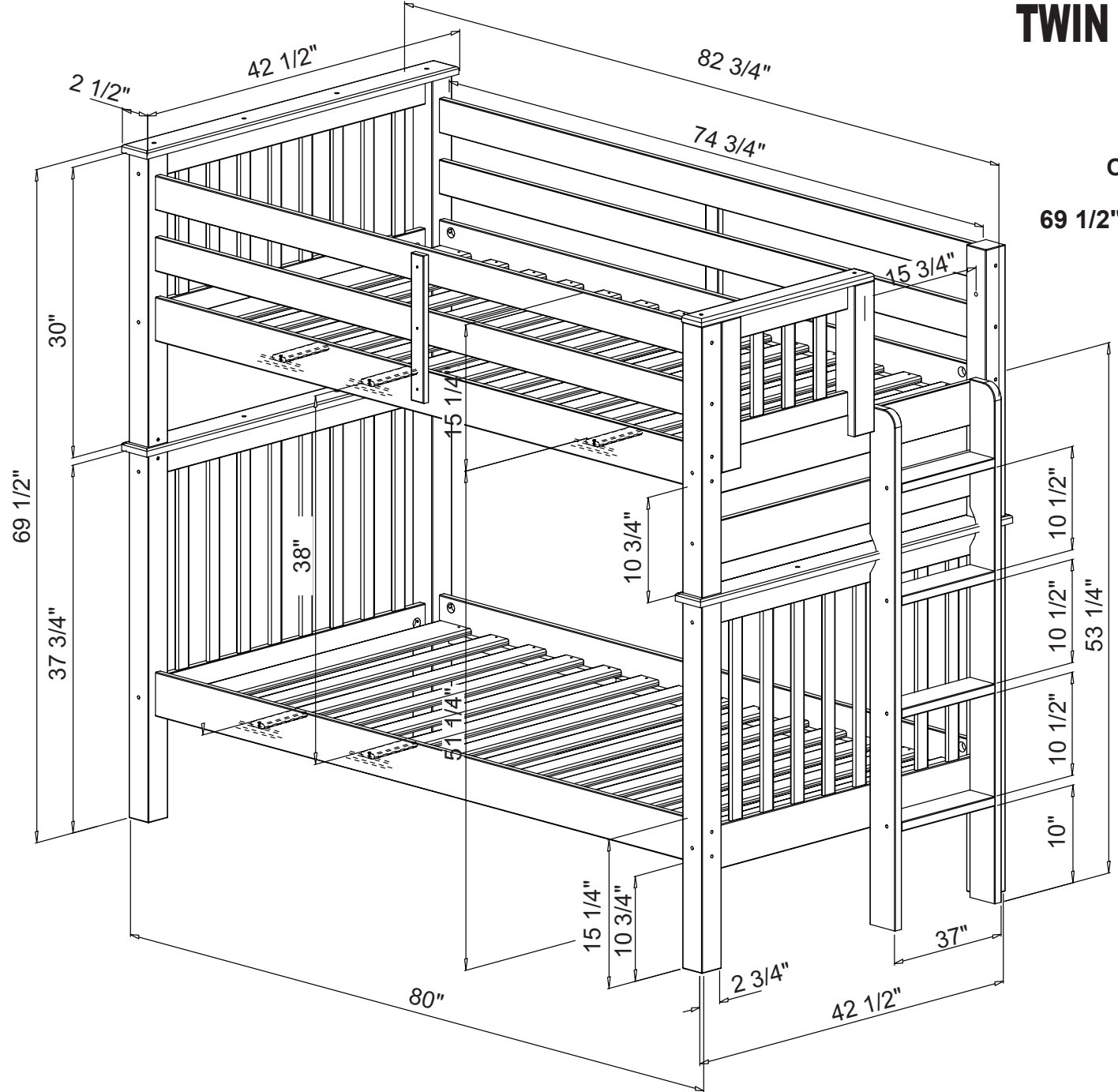


TWIN OVER TWIN BUNK BED

4-Step Ladder

Overall Dimensions of Bunk Bed

69 1/2" high x 82 3/4" wide x 42 1/2" deep

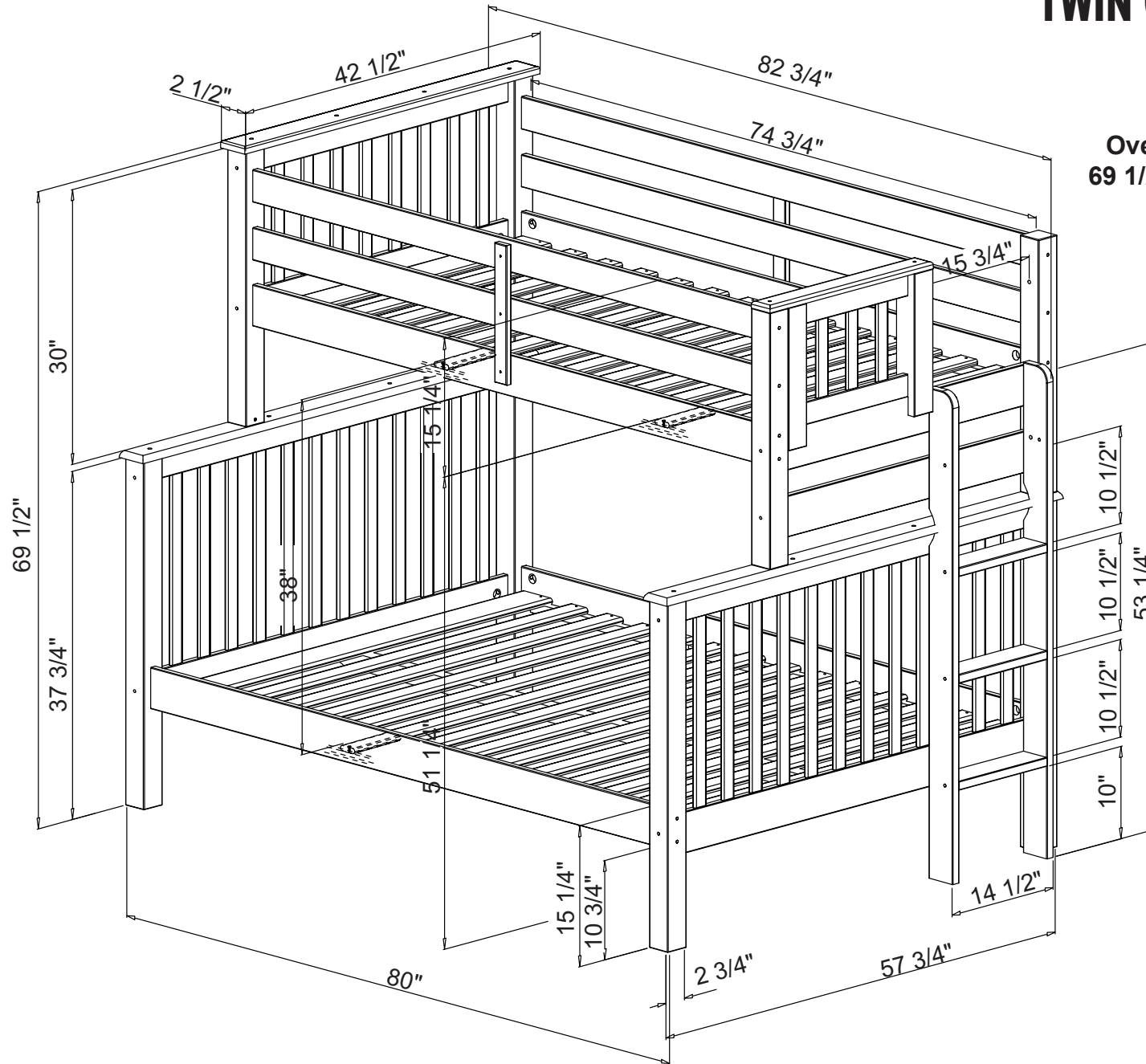


This is a natural wood product. We cannot guarantee the sizes on this drawing are the exact measurements of the bed you will receive. The dimensions are provided as a guide to assist you with your purchase. Please ensure the bed will fit your room.

TWIN OVER FULL BUNK BED

4-Step Ladder

Overall Dimensions of Bunk Bed
69 1/2" high x 82 3/4" wide x 57 3/4"
deep

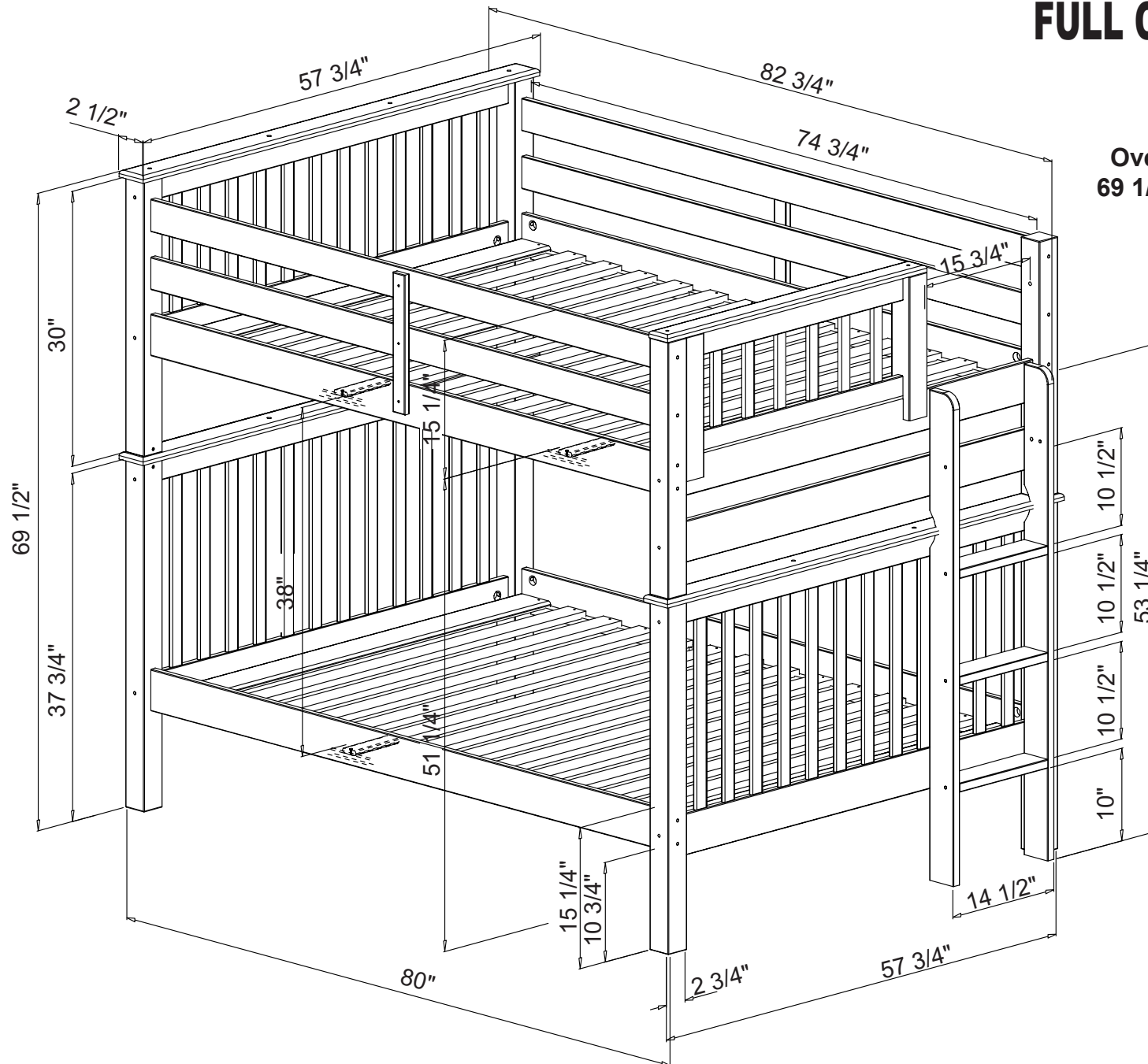


This is a natural wood product. We cannot guarantee the sizes on this drawing are the exact measurements of the bed you will receive. The dimensions are provided as a guide to assist you with your purchase. Please ensure the bed will fit your room.

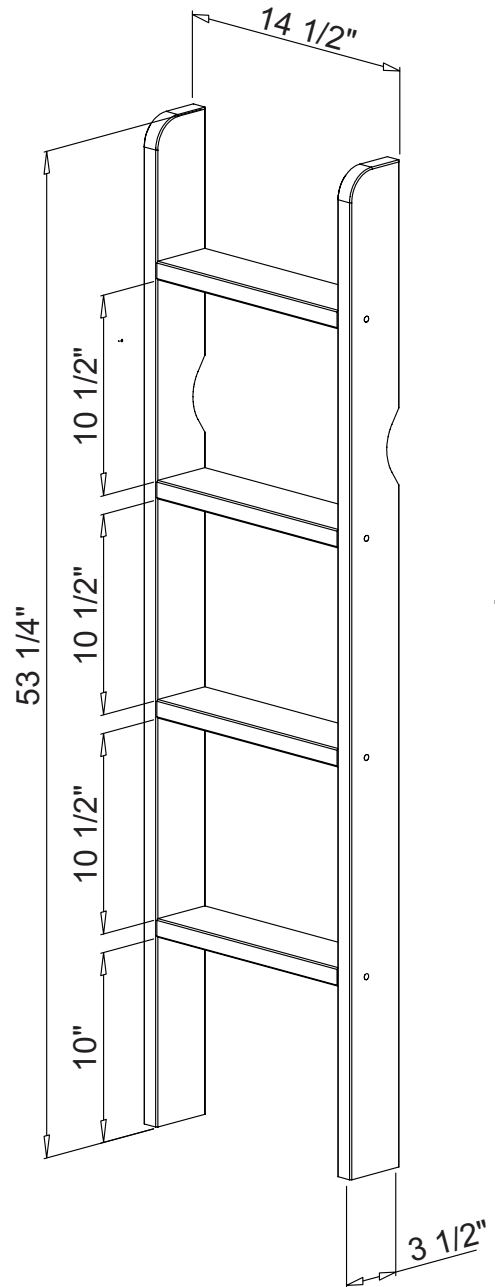
FULL OVER FULL BUNK BED

4-Step Ladder

Overall Dimensions of Bunk Bed
69 1/2" high x 82 3/4" wide x 57 3/4"
deep



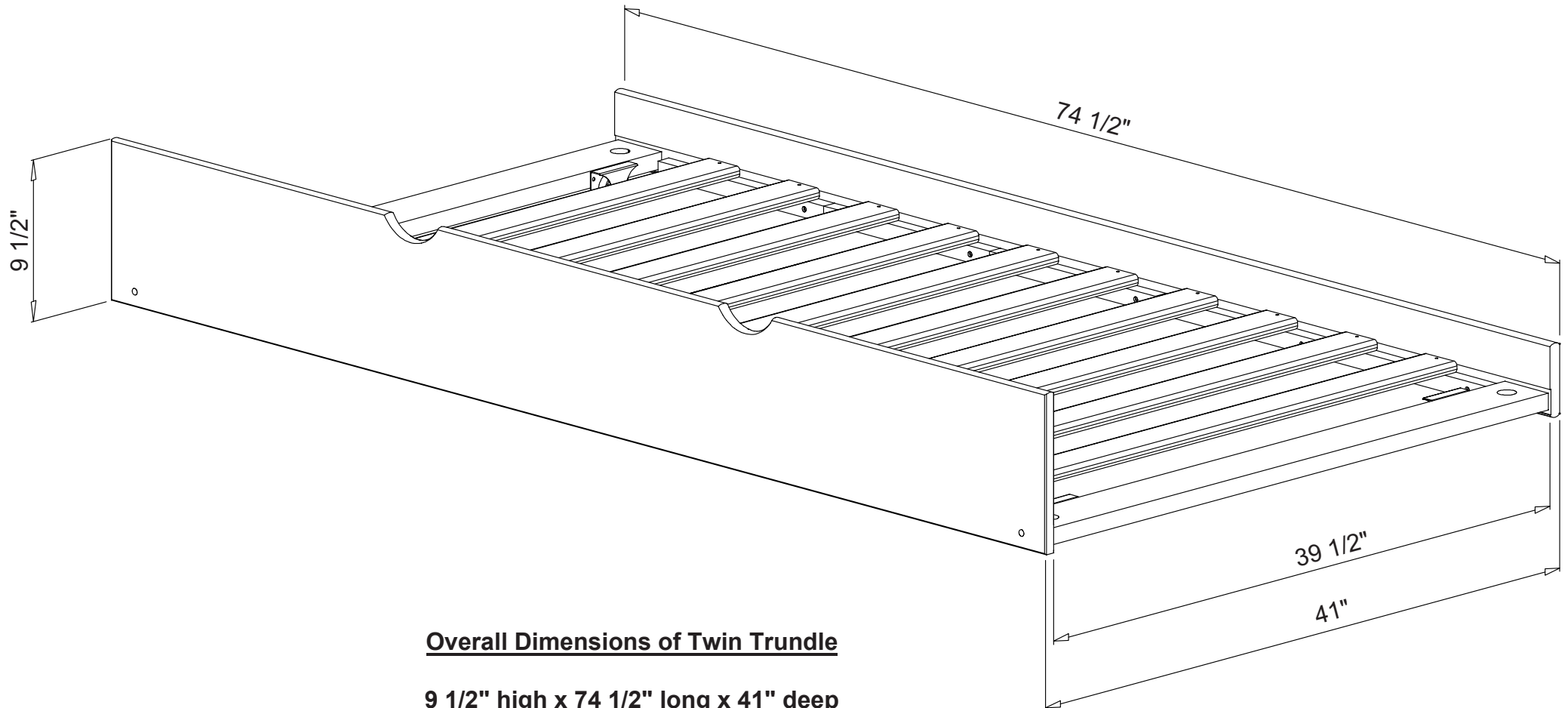
This is a natural wood product. We cannot guarantee the sizes on this drawing are the exact measurements of the bed you will receive. The dimensions are provided as a guide to assist you with your purchase. Please ensure the bed will fit your room.



4-Step Ladder

This is a natural wood product. We cannot guarantee the sizes on this drawing are the exact measurements of the ladder you will receive. The dimensions are provided as a guide to assist you with your purchase. Please ensure the bed will fit your room

Twin Trundle

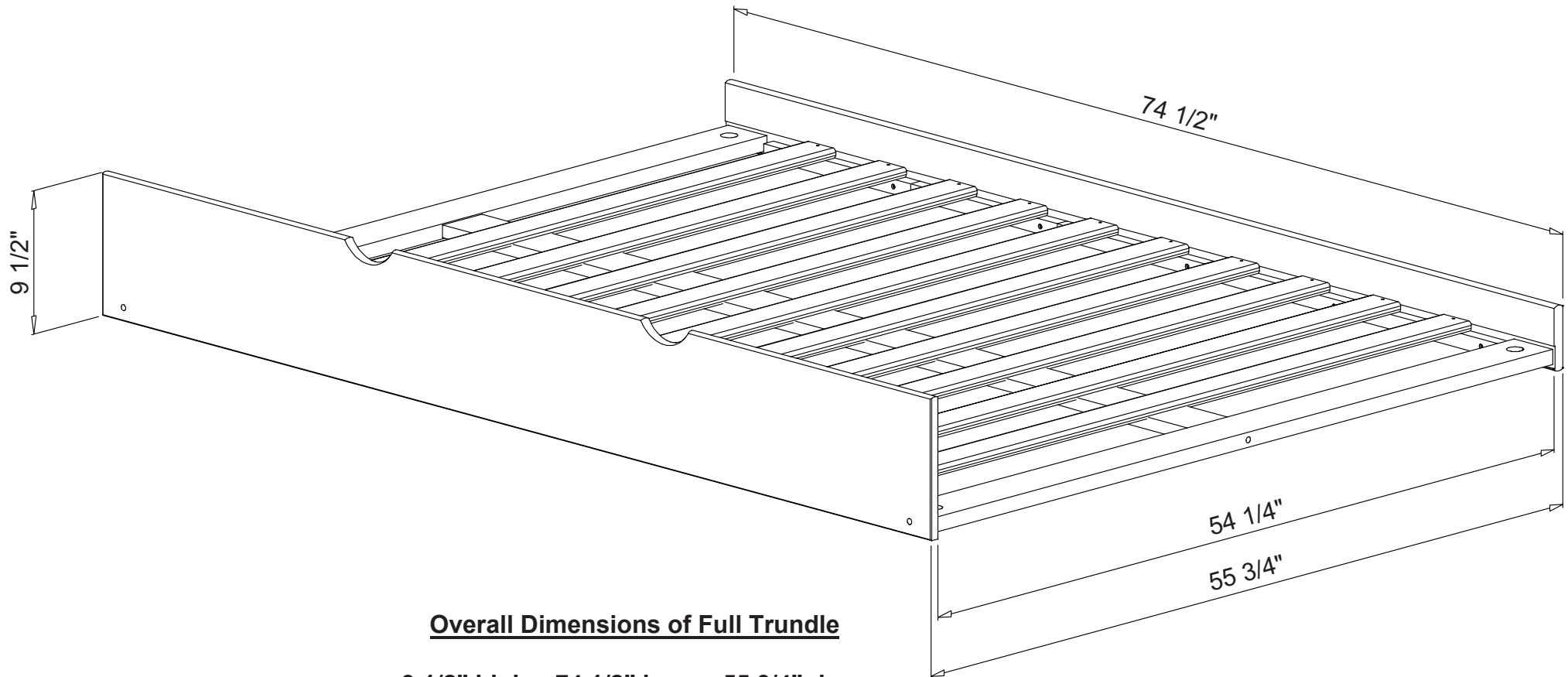


Overall Dimensions of Twin Trundle

9 1/2" high x 74 1/2" long x 41" deep

This is a natural wood product. Therefore, we cannot guarantee the sizes on this drawing are the exact measurements of the bed you will receive. The dimensions are provided as a guide to assist you with your purchase.

Full Size Trundle



Overall Dimensions of Full Trundle

9 1/2" high x 74 1/2" long x 55 3/4" deep

This is a natural wood product. Therefore, we cannot guarantee the sizes on this drawing are the exact measurements of the bed you will receive. The dimensions are provided as a guide to assist you with your purchase.