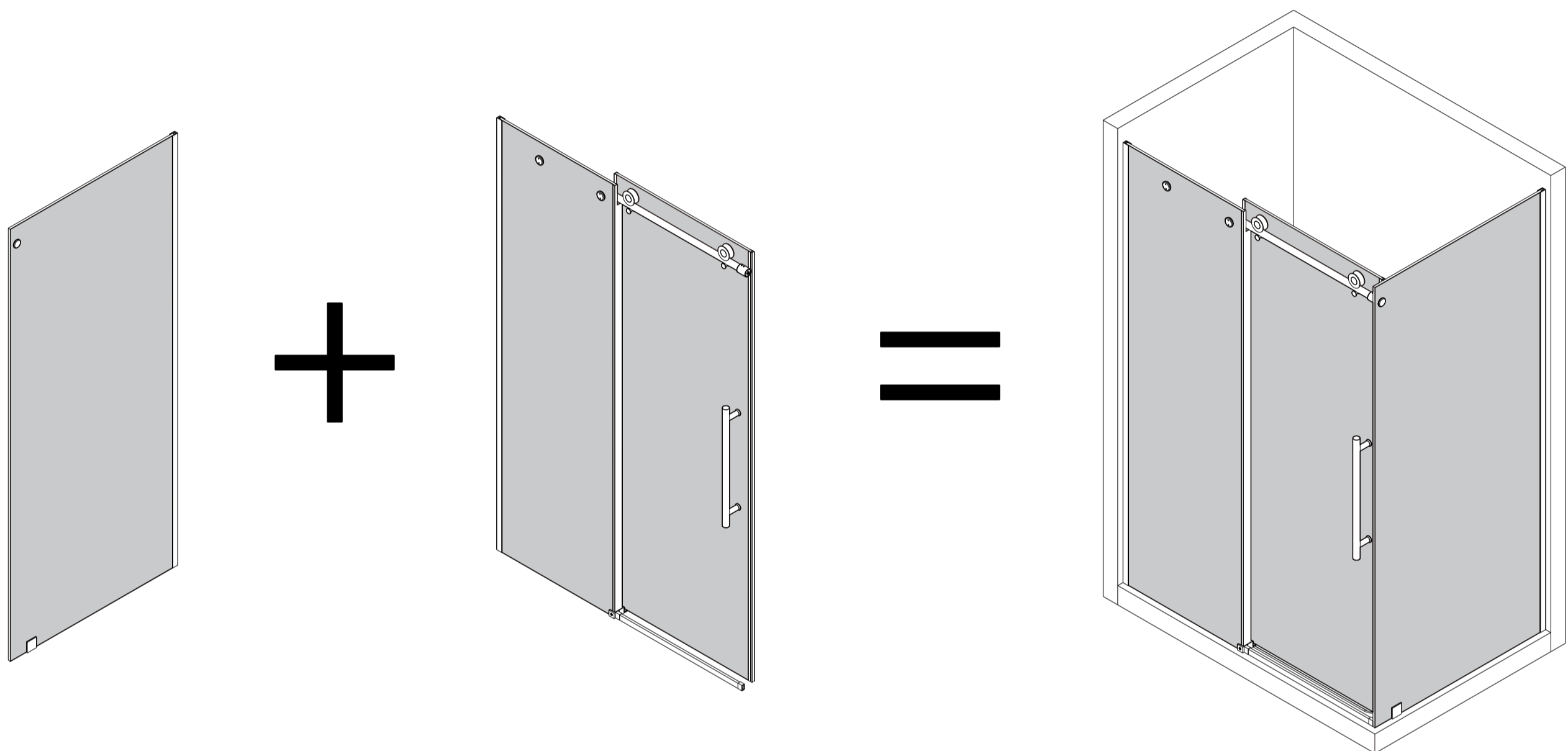


Serial Number: SDB03-22  
R1.0

## Shower Door Installation Instructions



**Reversible For a Left or Right Door**

**Please Do Not Return the Product to the Store.  
Contact us with any questions.**

# Model Specific Preparation

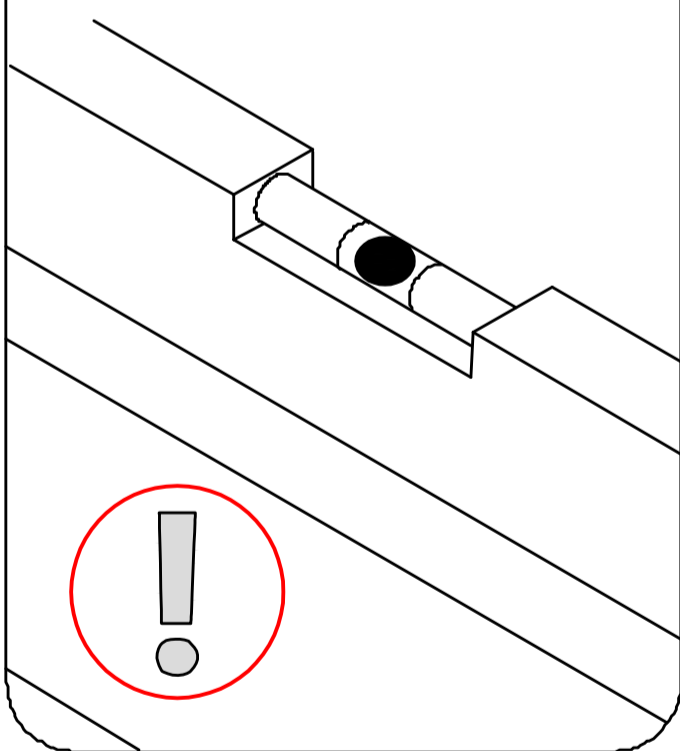


**REQUIRED:**

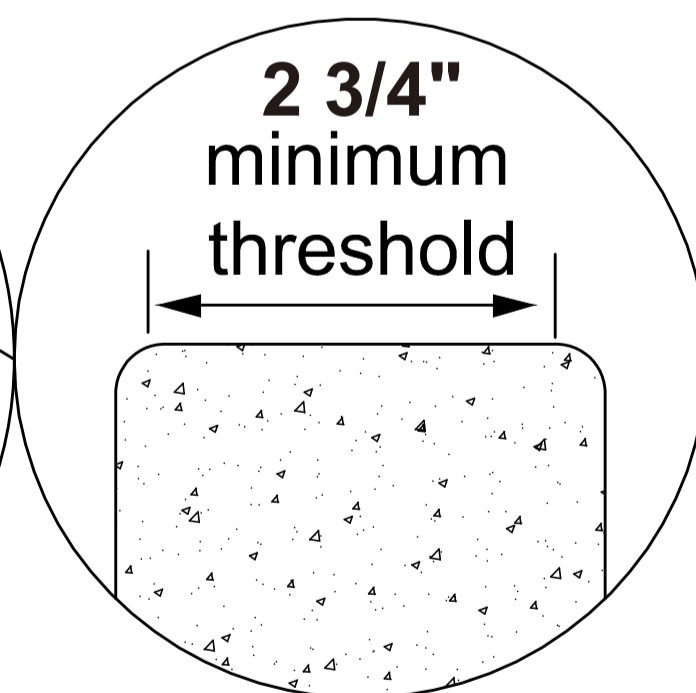
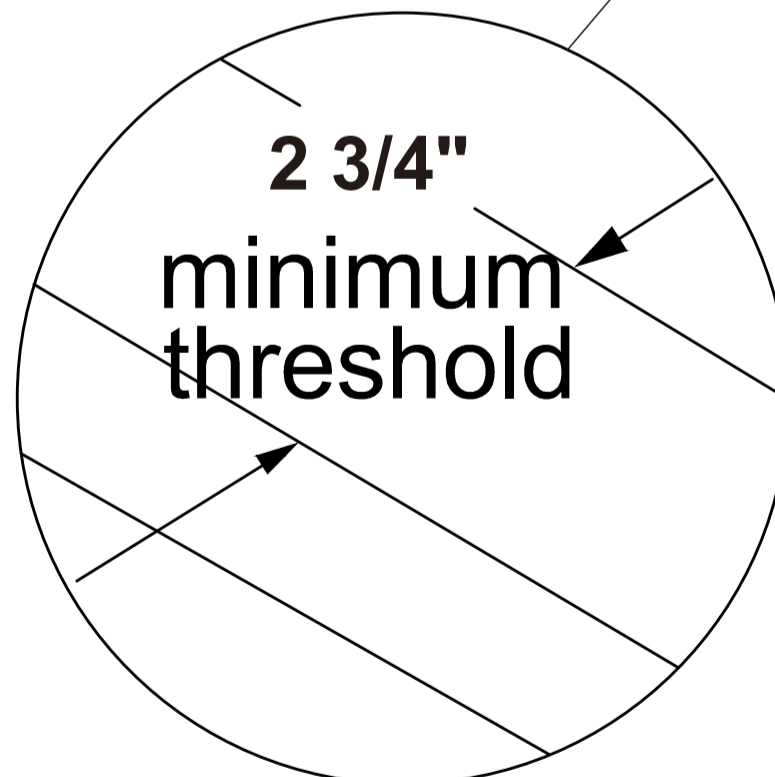
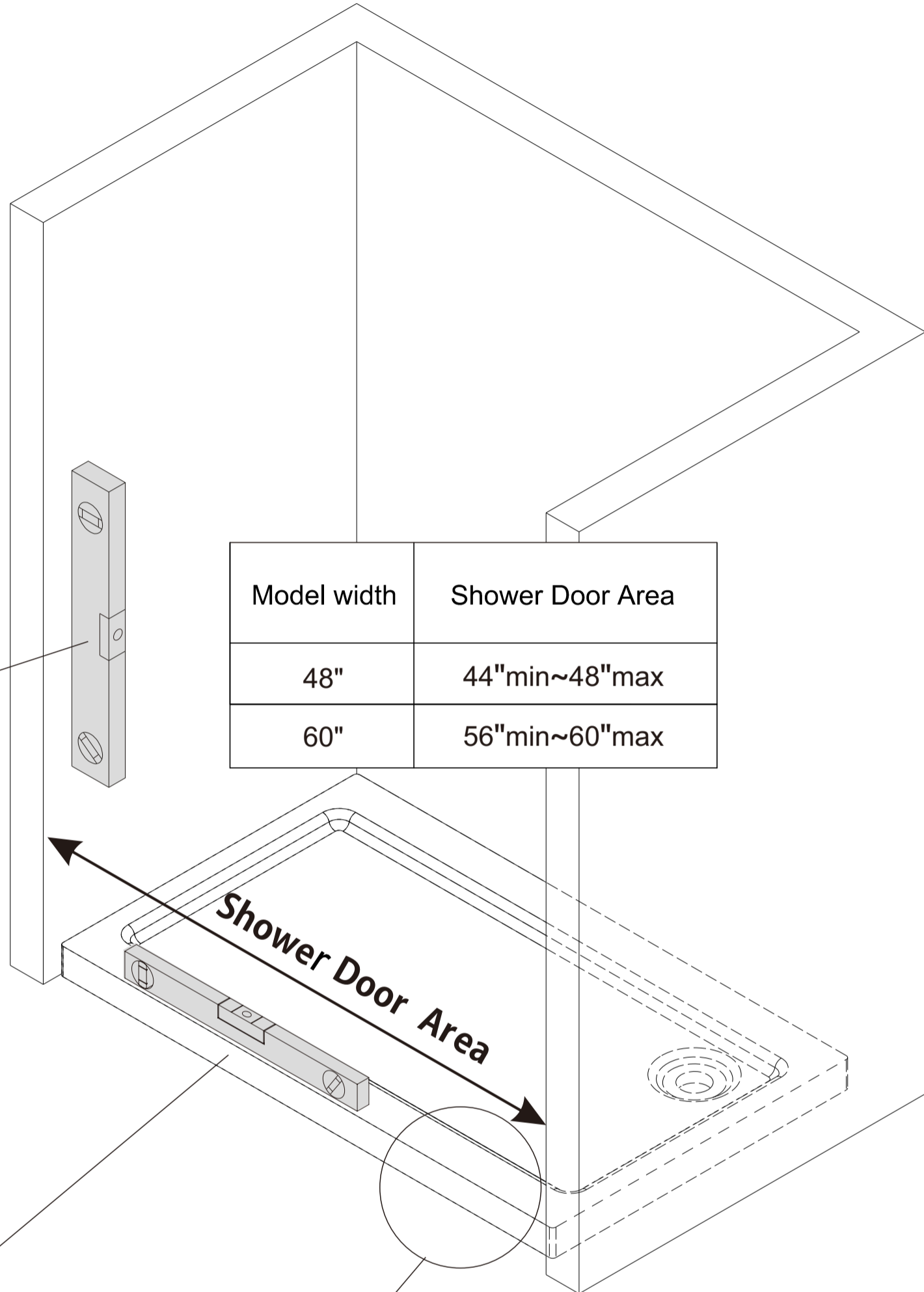
Verify threshold and wall with a level.

1/4" (6mm) Maximum out of plumb adjustment from top to bottom

Threshold must be level.



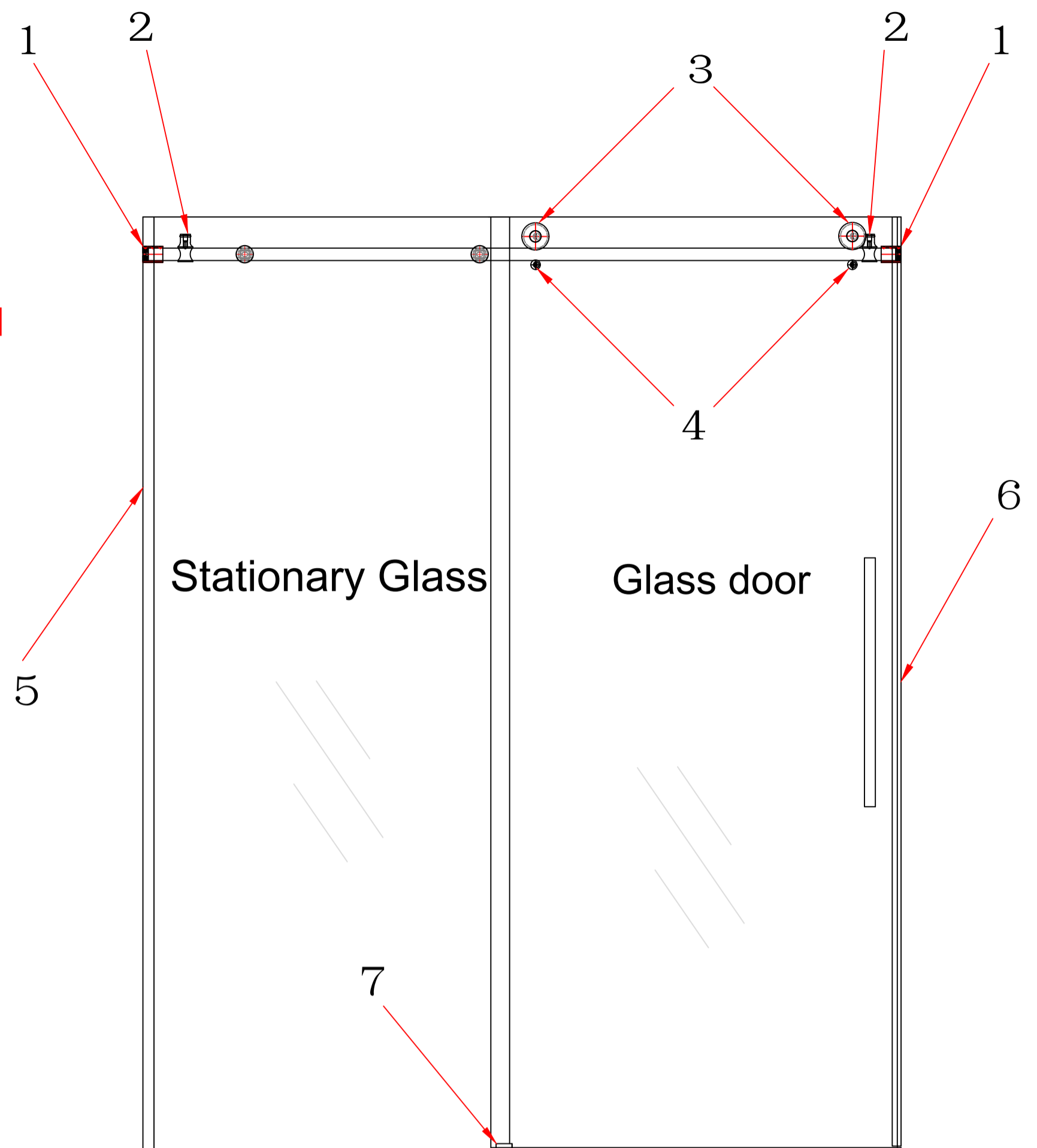
| Model width | Shower Door Area |
|-------------|------------------|
| 48"         | 44"min~48"max    |
| 60"         | 56"min~60"max    |



# SHOWER DOOR



**IMPORTANT INFORMATION  
REGARDING THE INSTALLATION  
OF THIS SHOWER DOOR**



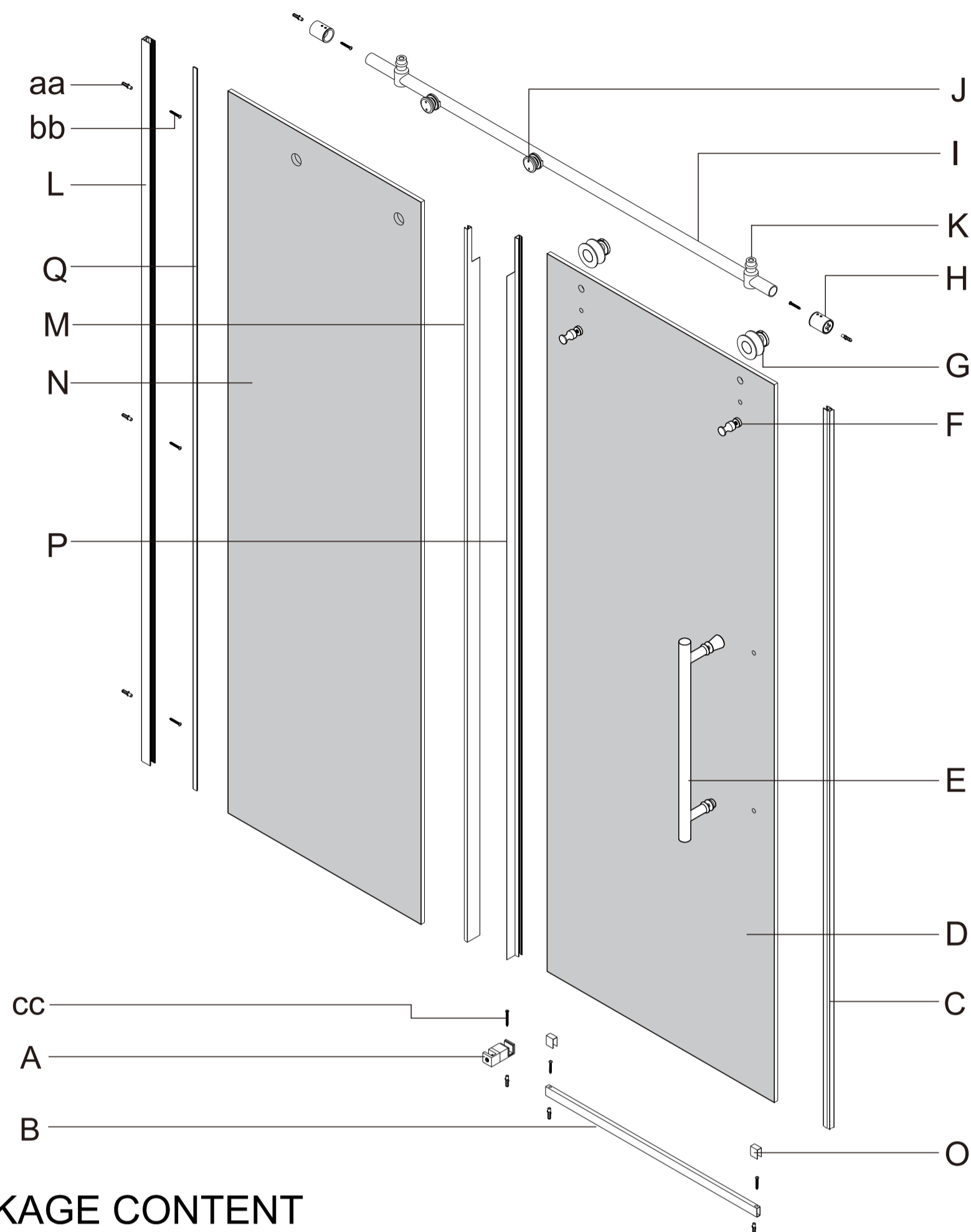
Left hand door installation shown as an example

- 1 Guide Rail Brackets** must be firmly attached to the wall. Installation into a stud is strongly recommended. All of the guide rail bracket set screws must be tightened.
- Thread Lock must be applied to both **Stopper Set Screws**. Panel-side and Door-side **Stoppers** must be installed at the proper position to stop the door from contacting the wall.
- 3 Roller Wheel Big Bolt** must be re-tightened after installation.
- 4 Roller Guards** must be positioned and secured within 1/16" of **Upper Guide Rail**.
- 5 Wall Jamb** must be installed vertically to ensure that the installation is stable and secure, and the screws should be tightened.
- 6 Bumper Strip** must be installed on the closing edge of the **Glass Door**.
- 7 The Guide Block** installed square to the Stationary Glass and **Glass Door**. Installing the guide block crooked may damage the bottom edge of the **Glass Door** and lead to breakage.

**PLEASE READ THE ENCLOSED INSTALLATION  
MANUAL FOR DETAILS REGARDING PROPER  
INSTALLATION.**

# SHOWER DOOR

## PACKAGE CONTENT



## PACKAGE CONTENT

| PART# | DESCRIPTION         | QTY |
|-------|---------------------|-----|
| A     | Guide Block         | 1   |
| B     | Threshold           | 1   |
| C     | Bumper Strip        | 1   |
| D     | Glass Door          | 1   |
| E     | Handle              | 1   |
| F     | Roller Guards       | 2   |
| G     | Rollers             | 2   |
| H     | Guide Rail Brackets | 2   |

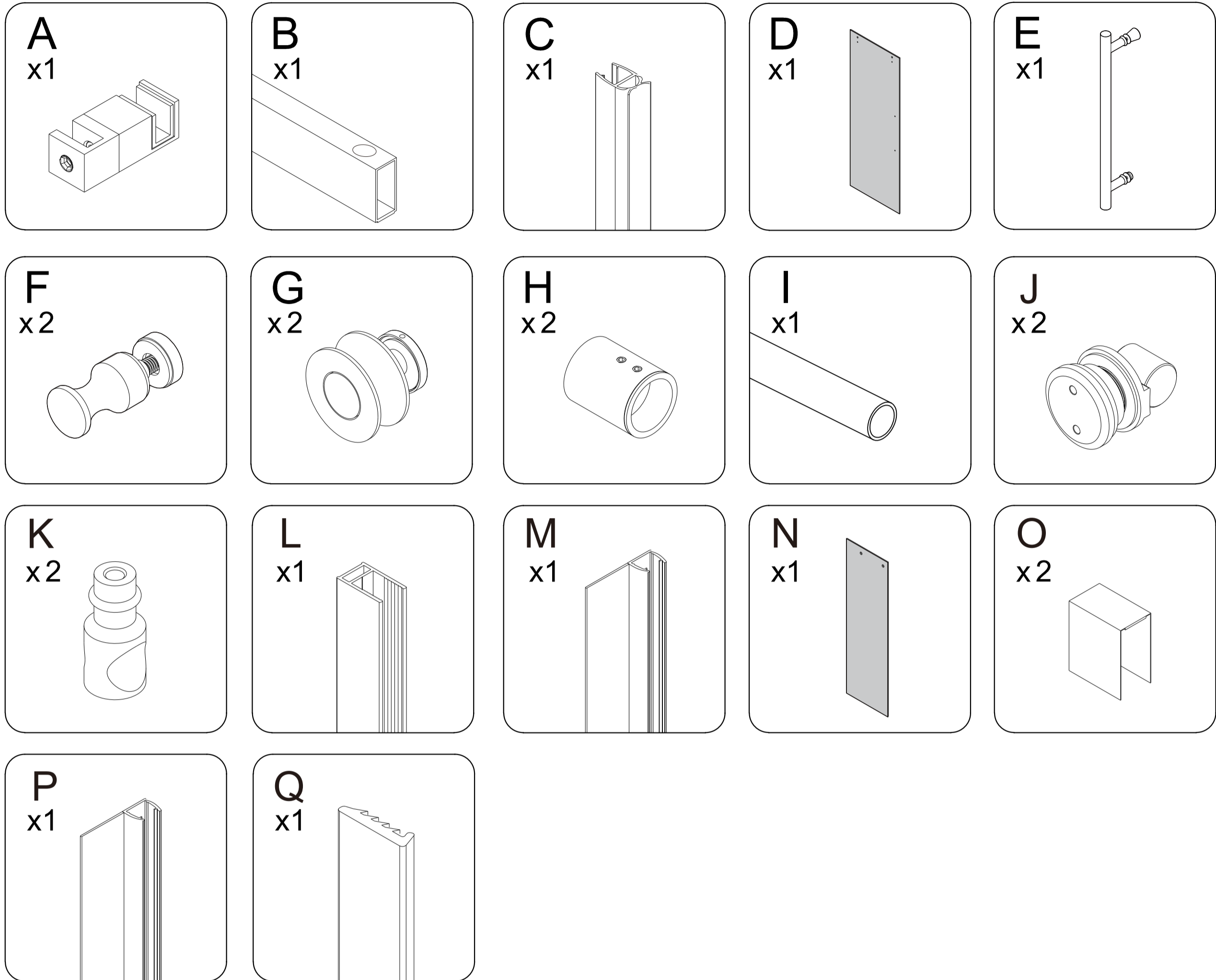
| PART# | DESCRIPTION       | QTY |
|-------|-------------------|-----|
| I     | Upper Guide Rail  | 1   |
| J     | Glass Brackets    | 2   |
| K     | Door Stoppers     | 2   |
| L     | Wall Jamb         | 1   |
| M     | Anti-Water Strips | 1   |
| N     | Stationary Glass  | 1   |
| O     | Threshold cover   | 2   |
| P     | Anti-Water Strips | 1   |
| Q     | Wedge Seal        | 1   |

**NOTE**

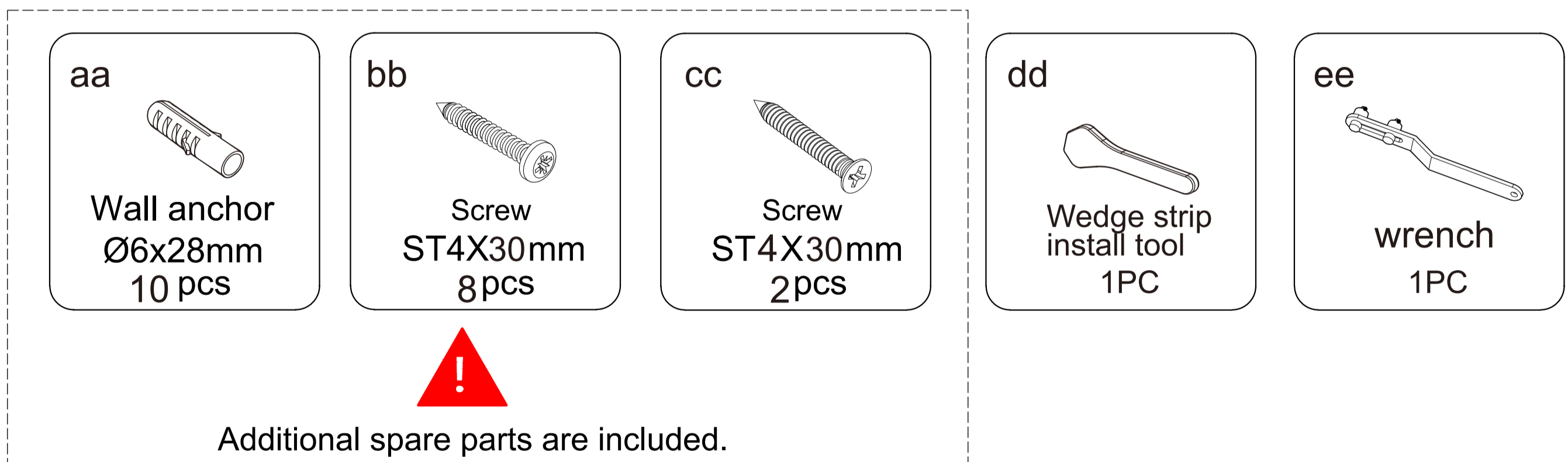
Inspect all parts for missing prior to installation!  
Contact us for any part missing.

# SHOWER DOOR

## PACKAGE CONTENT



## HARDWARE CONTENT

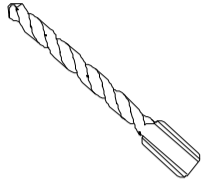


**NOTE**

Inspect all parts for missing prior to installation!  
Contact us for any part missing.

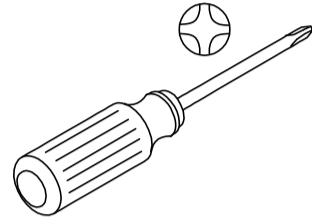
**TOOLS REQUIRED**

**Drill Bits**

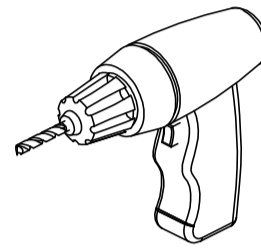


Ø1/8" & Ø1/4" (3&6mm) dia.  
HSS

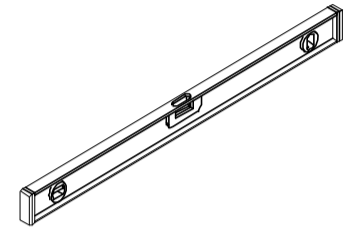
**Phillips screw driver**



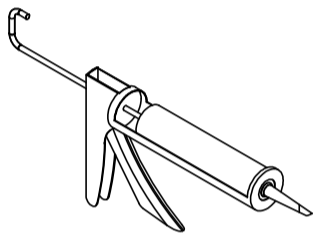
**Electric hand drill**



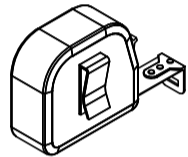
**Level**



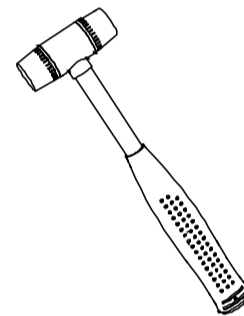
**Caulking gun**



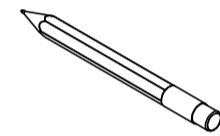
**Measuring Tape**



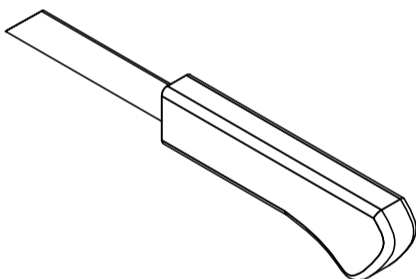
**Soft Head Hammer**



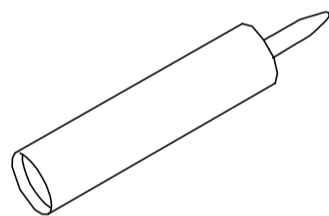
**Marking Pencil**



**Utility Knife**



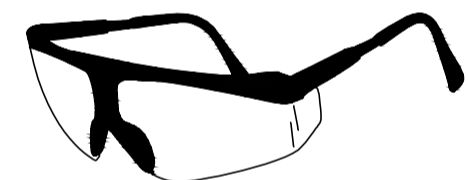
**Sealant**



**MASONRY DRILL BIT FOR TILE  
Ø6mm**



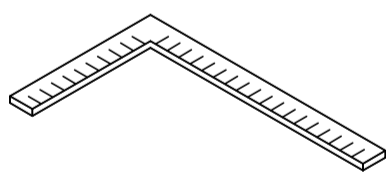
**Safety Glasses**



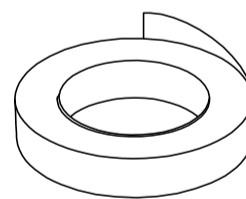
**Gloves**



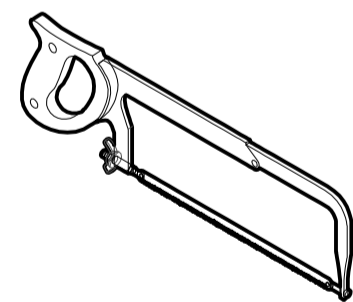
**Carpenter's Squarer**



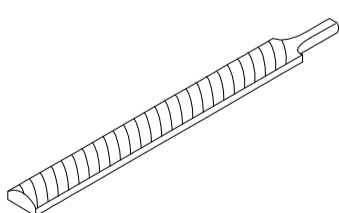
**Masking or painter's tape**



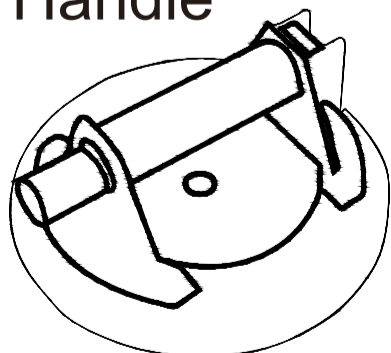
**Hack Saw**



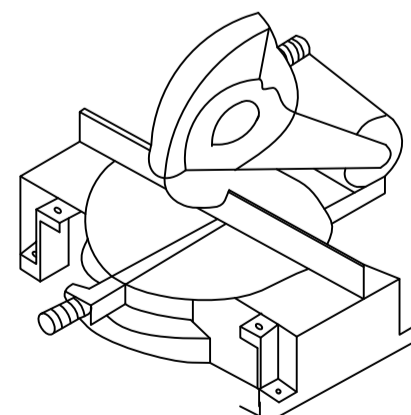
**Metal File**



**Glass suction Handle**



**Miter Saw**



## SAFETY INFORMATION

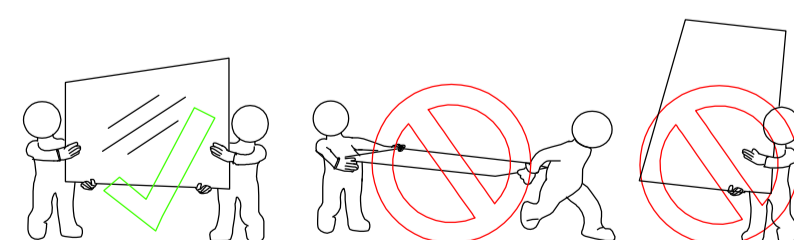
### CAUTION

Please carefully read the following important safety information before handling or installing this shower door. There is a risk of serious injury while handling this product.

To minimize these risks, please note:

- Always wear safety glasses and gloves while handling.
- Always follow the installation instructions.
- Inspect glass for damage before installation.
- Extreme caution should be taken while handling the glass during installation as the tempered glass may shatter if in contact with a hard surface.
- Do not cut or modify the tempered glass as it will shatter if cut.
- Carefully remove product from packaging and keep packaging until installation is complete.
- Inspect all parts for damage or missing; if there is damage or part missing to the unit prior to installation, please contact customer service at the number provided in this guide.
- Cover the drain with tape to prevent the loss of small parts.
- The shower base and finished walls should be installed before beginning the shower door installation.
- During the installation, protect the shower floor with a drop cloth to avoid damage.
- This product should be installed by two people who are familiar with construction requirements. Professional installation is recommended!
- Keep this installation manual for future reference.

**NOTE:** Two people should perform this installation.

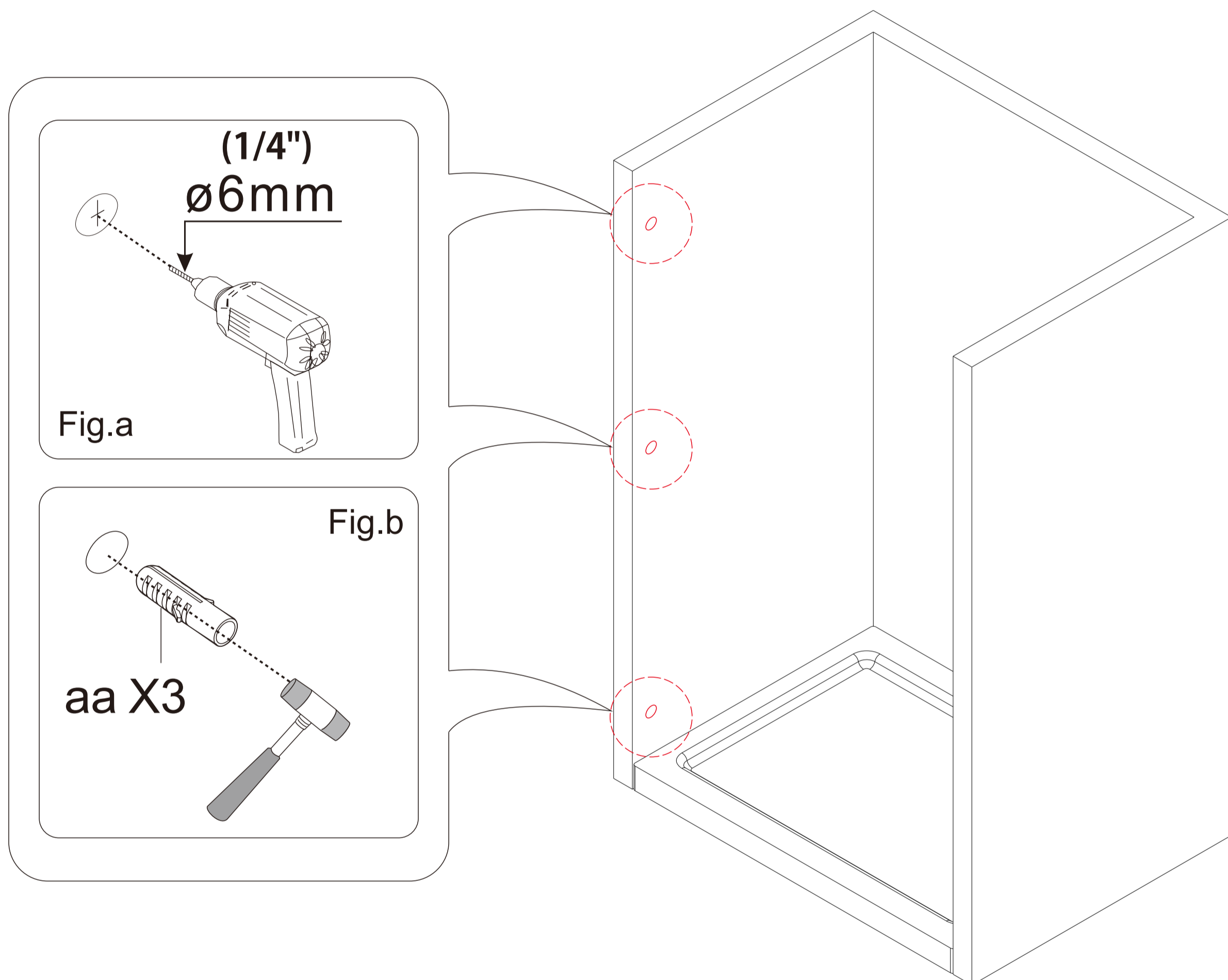




## 2 Install **Wall Anchor(aa)**

NOTE

1. Drill holes with  $\phi 6\text{mm}(1/4\text{'})$  drill bit as Fig.a .
2. Insert **Wall Anchors(aa)** as Fig.b .



NOTE

- If a Stud is present behind the wall:  
drill  $\phi 1/8\text{'}$  (3mm) pilot holes into the stud and use the ST4.0x30mm **Screws(bb)**  
OR
- If NO Stud is present behind the wall:  
drill  $\phi 1/4\text{'}$  (6mm) holes and insert the **Wall Anchors(aa)** and use the ST4.0x30mm **Screws(bb)**.

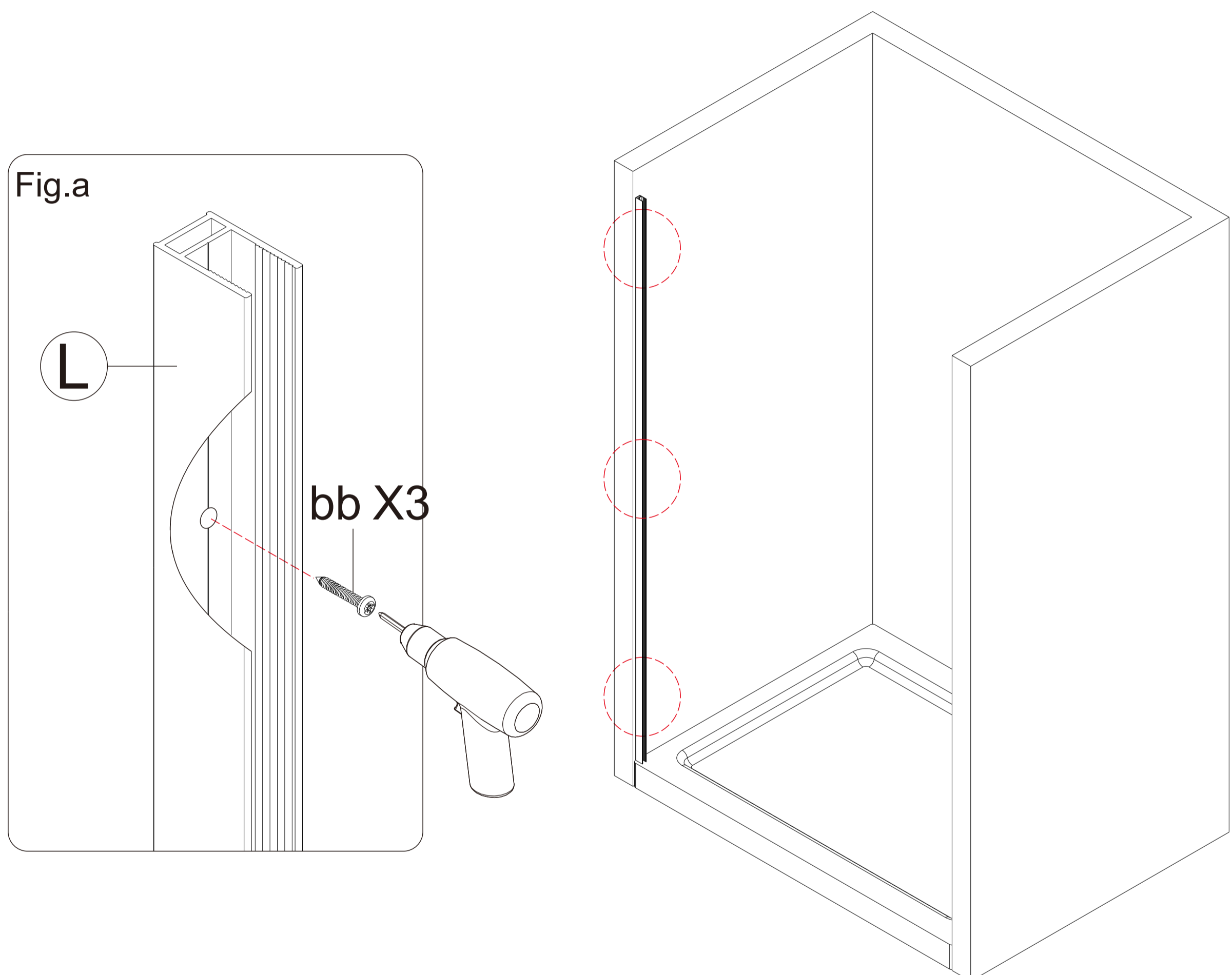


**Note:** The shower door can be installed left or right, according to the need to determine the installation direction.

## 3 Install **Wall Jamb(L)**

NOTE

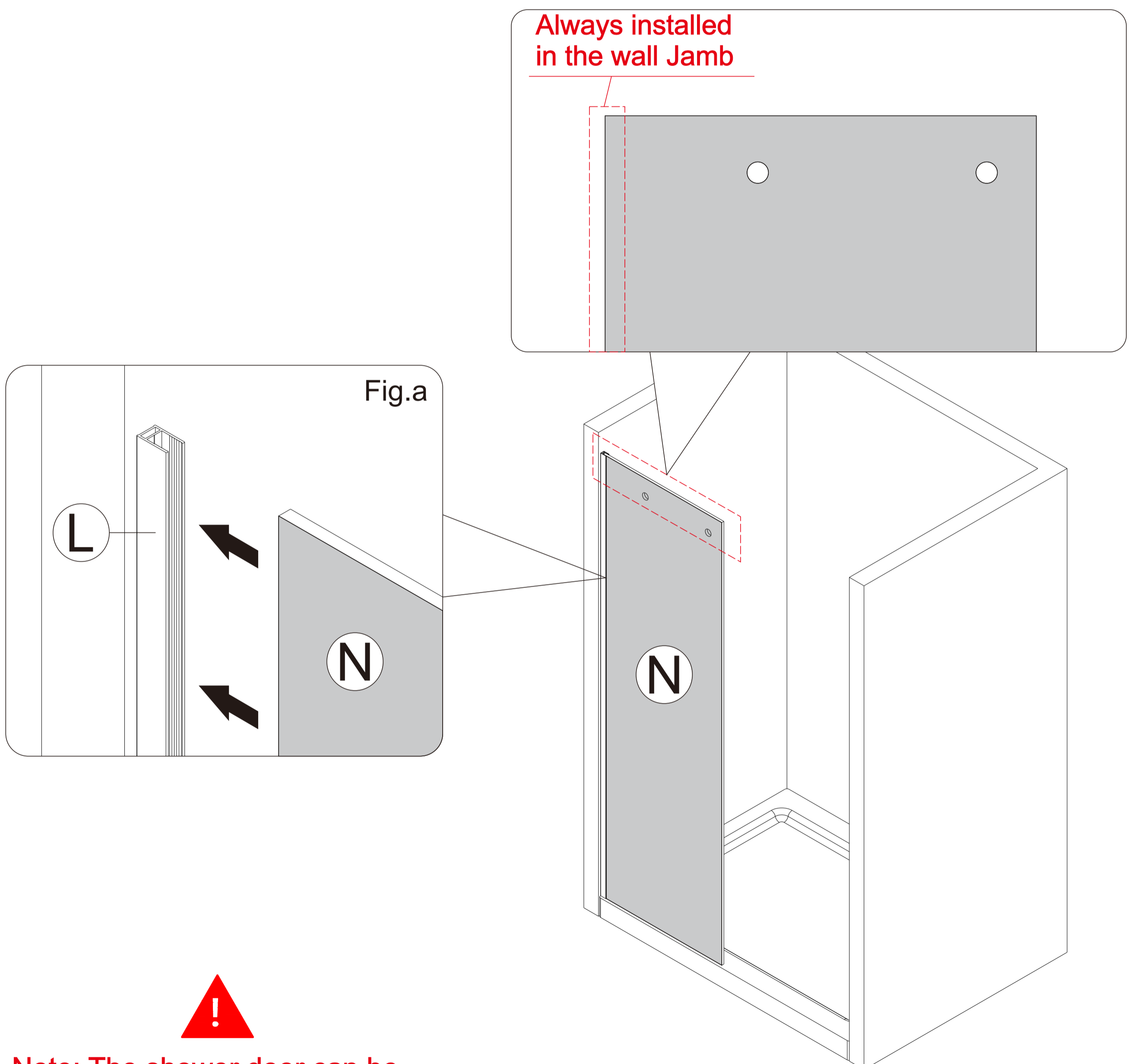
1. Fix **Wall Jambs(L)** with **Screw(bb)** as Fig.a .



Note: The shower door can be installed left or right, according to the need to determine the installation direction.

## 4 Install Stationary Glass (N)

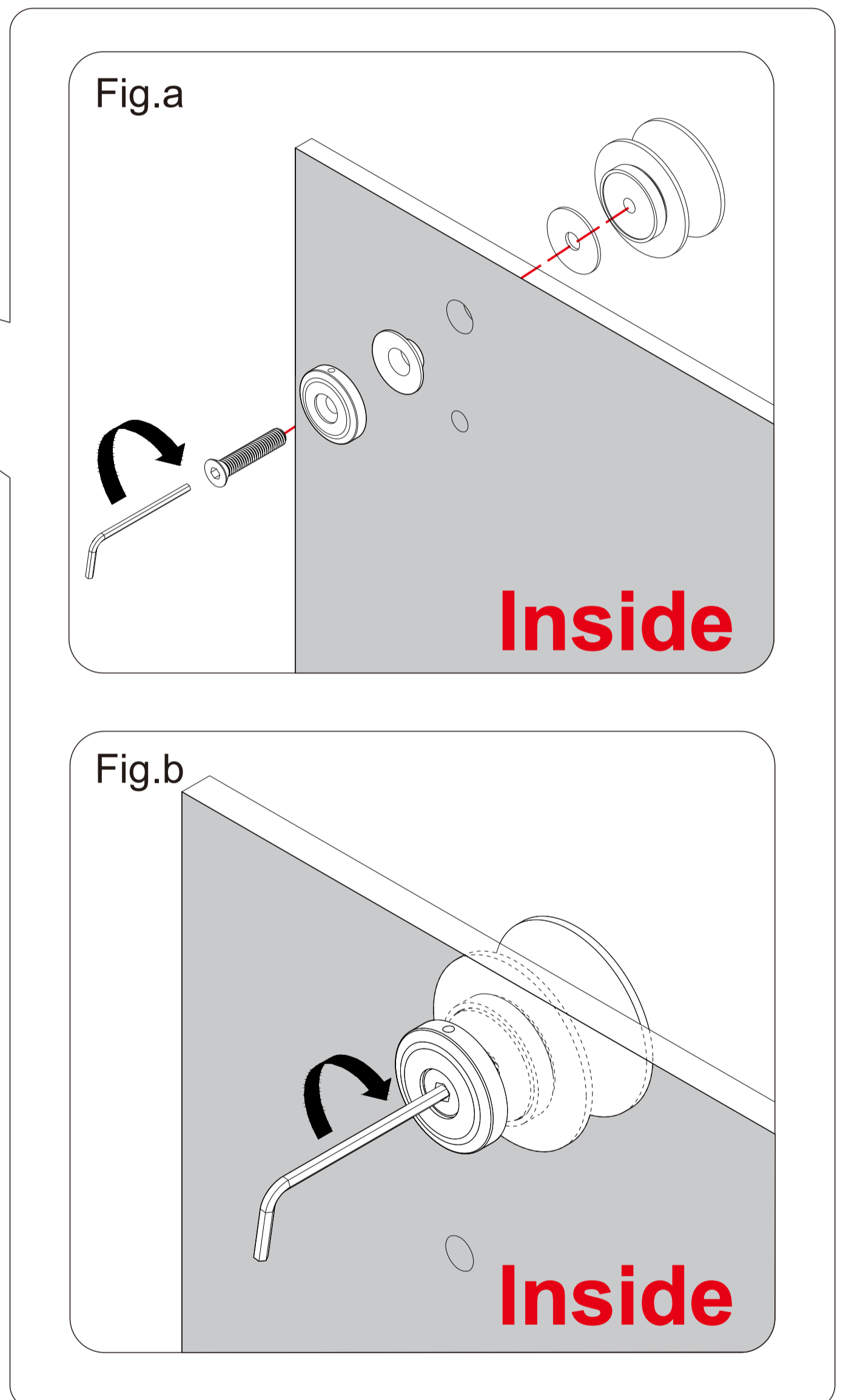
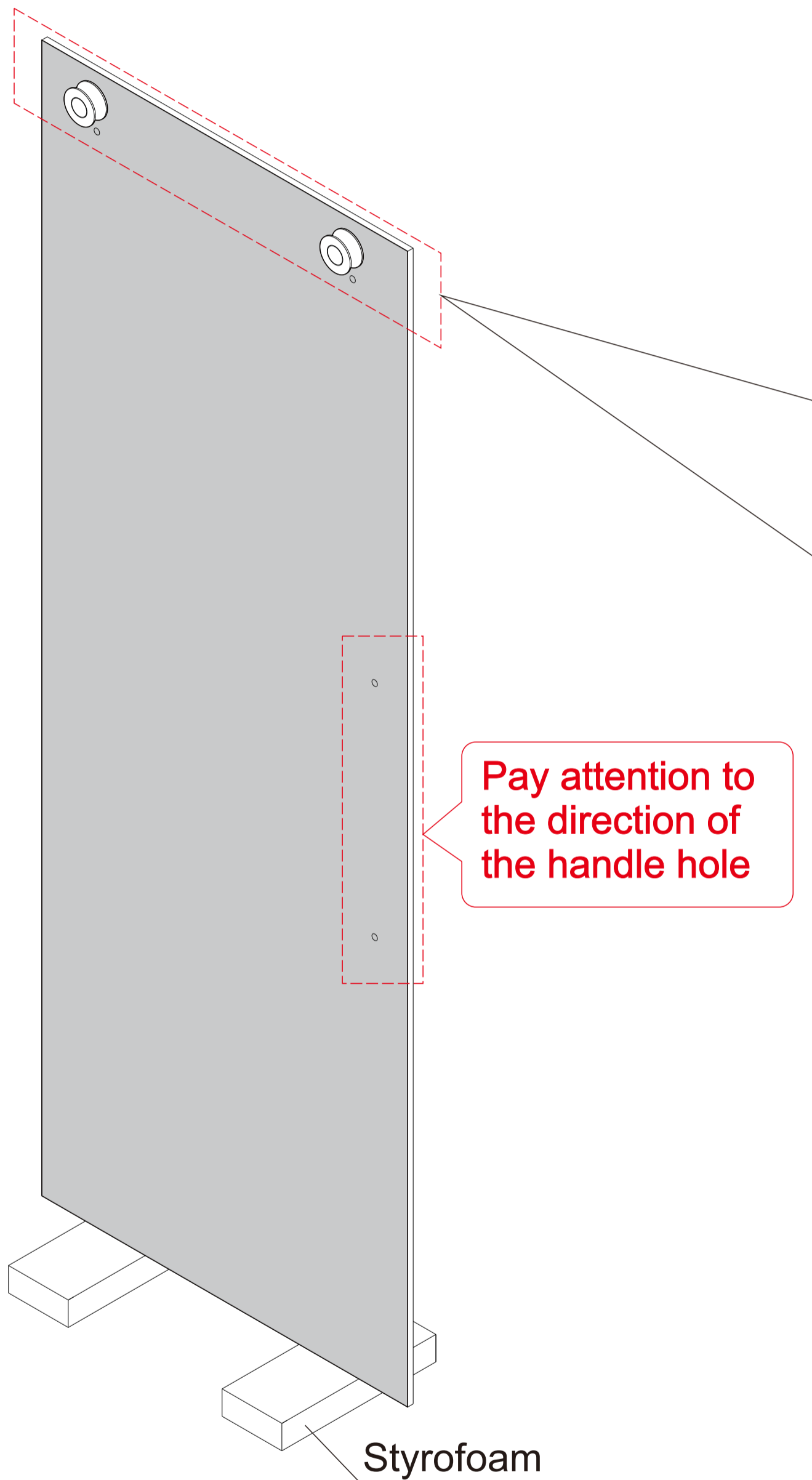
**NOTE** 1. Install the **Stationary Glass(N)** to the **Wall Jamb(L)** as Fig.a .



Note: The shower door can be installed left or right, according to the need to determine the installation direction.

## 5 Install Roller(G)

**NOTE** 1. Install the **Roller(G)** on the **Glass Door(D)** and faces outside as Fig.a and Fig.b .



**Note:** The shower door can be installed left or right, according to the need to determine the installation direction.

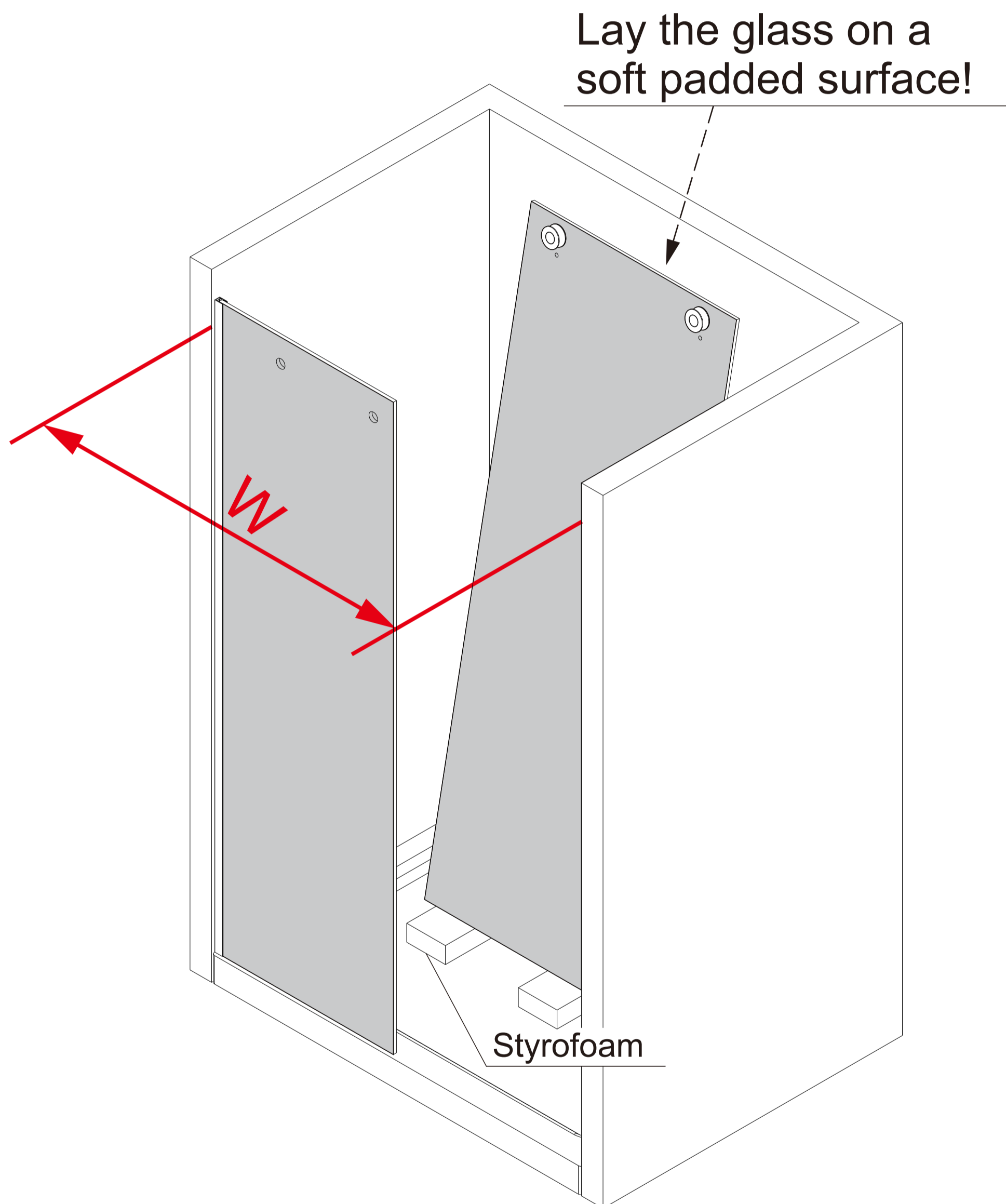


**CAUTION:** Do not put glass directly on the ground

## 6 Measure the finished opening width.

NOTE

1. Measure the width of the shower room (W)
2. The **Glass Door(D)** was placed into the model in advance to facilitate subsequent installation



Note: The shower door can be installed left or right, according to the need to determine the installation direction.

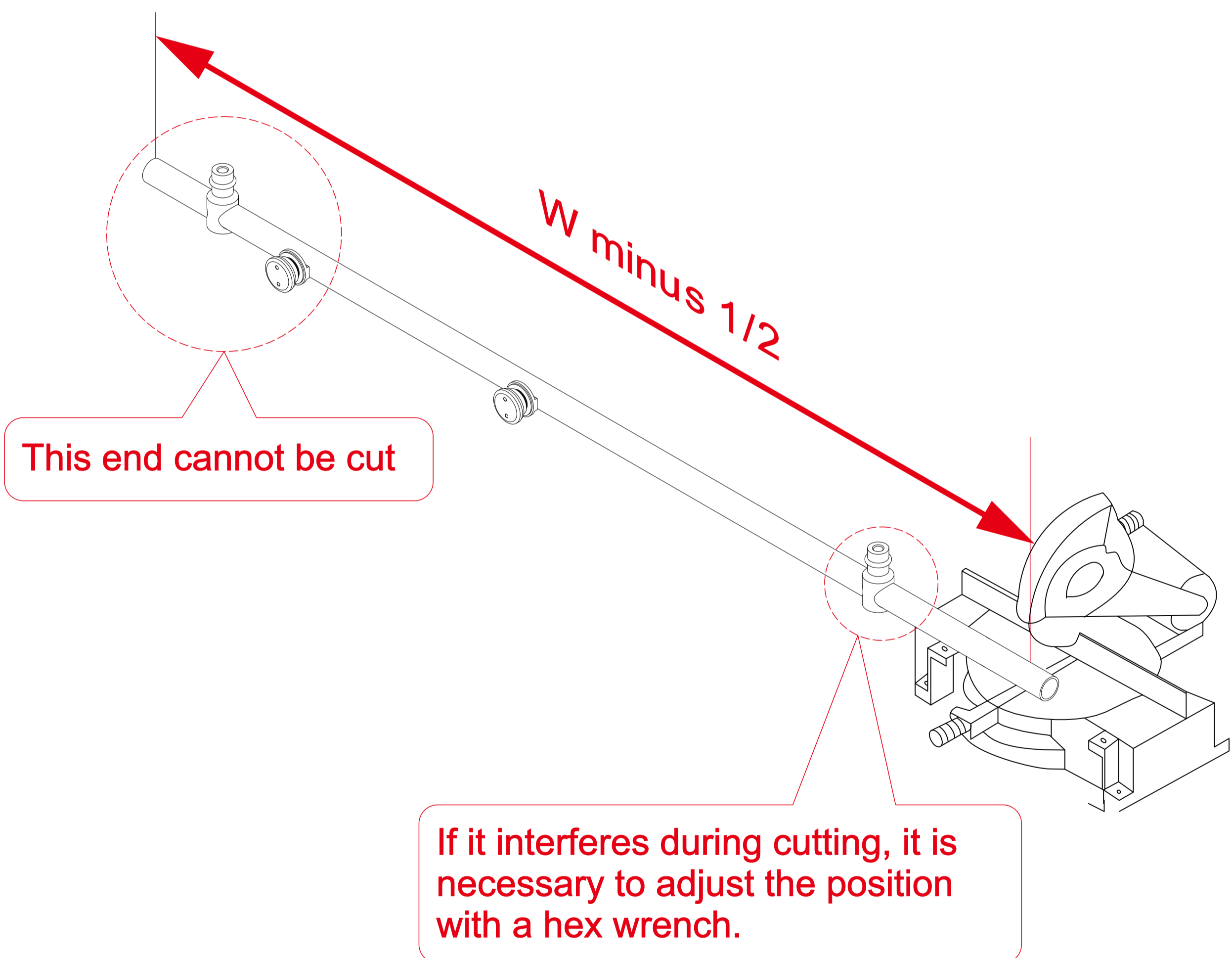


CAUTION: Do not put glass directly on the ground

**7** Cut the **Upper Guide Rail (I)** to fit your finished opening using either a miter saw or a hacksaw

NOTE

1. The length of the **Upper Guide Rail (I)** =  $W$  minus  $1/2$ " use the corner grinder to cut off the excess part, be careful not to cut to the Door Stoppers

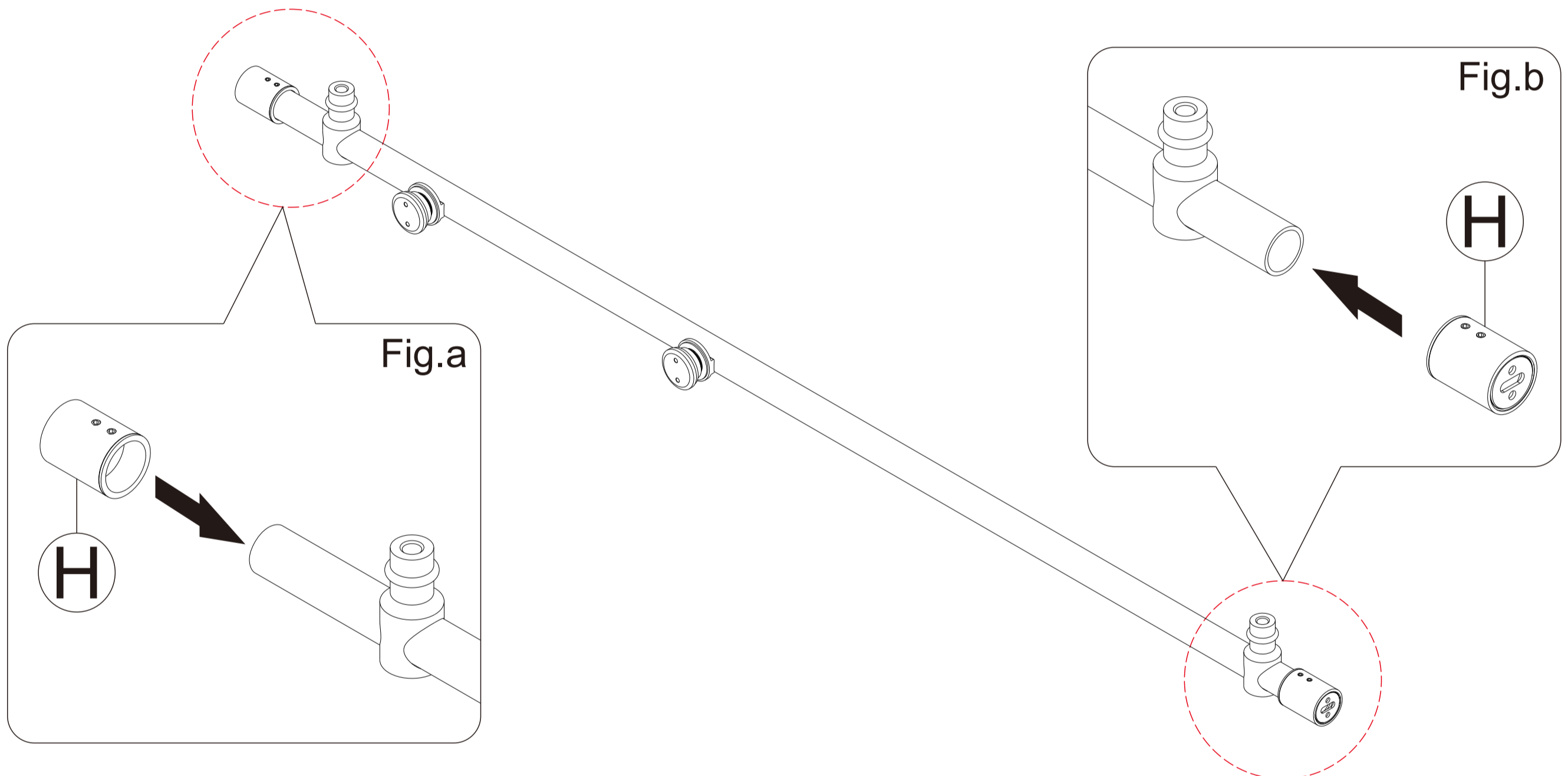


## 8

### Install the **Guide Rail Brackets(H)**

**NOTE**

1. Install the **Guide Rail Brackets(H)** on the **Upper Guide Rail(I)** as Fig.a and Fig.b .

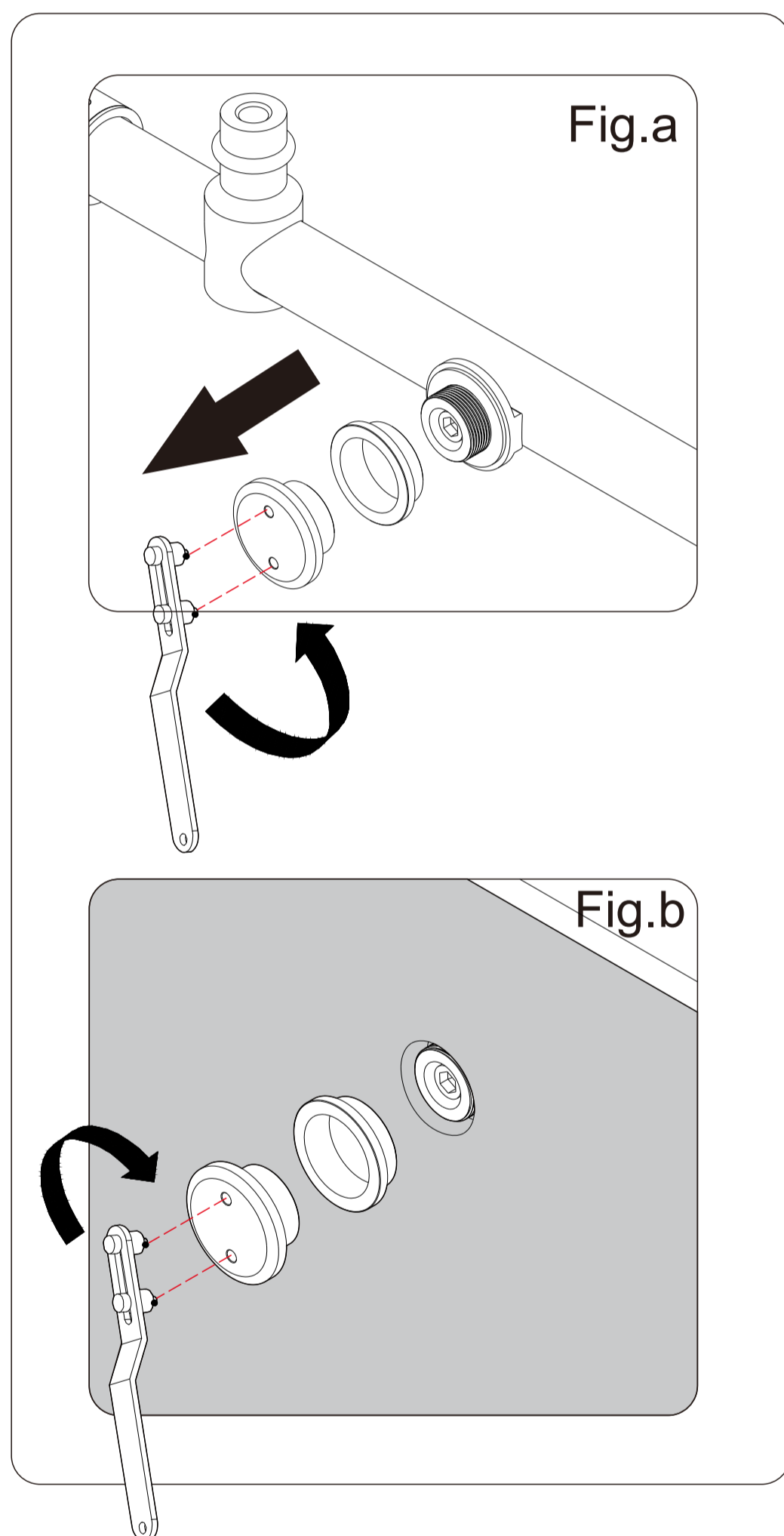


**Note:** The shower door can be installed left or right, according to the need to determine the installation direction.

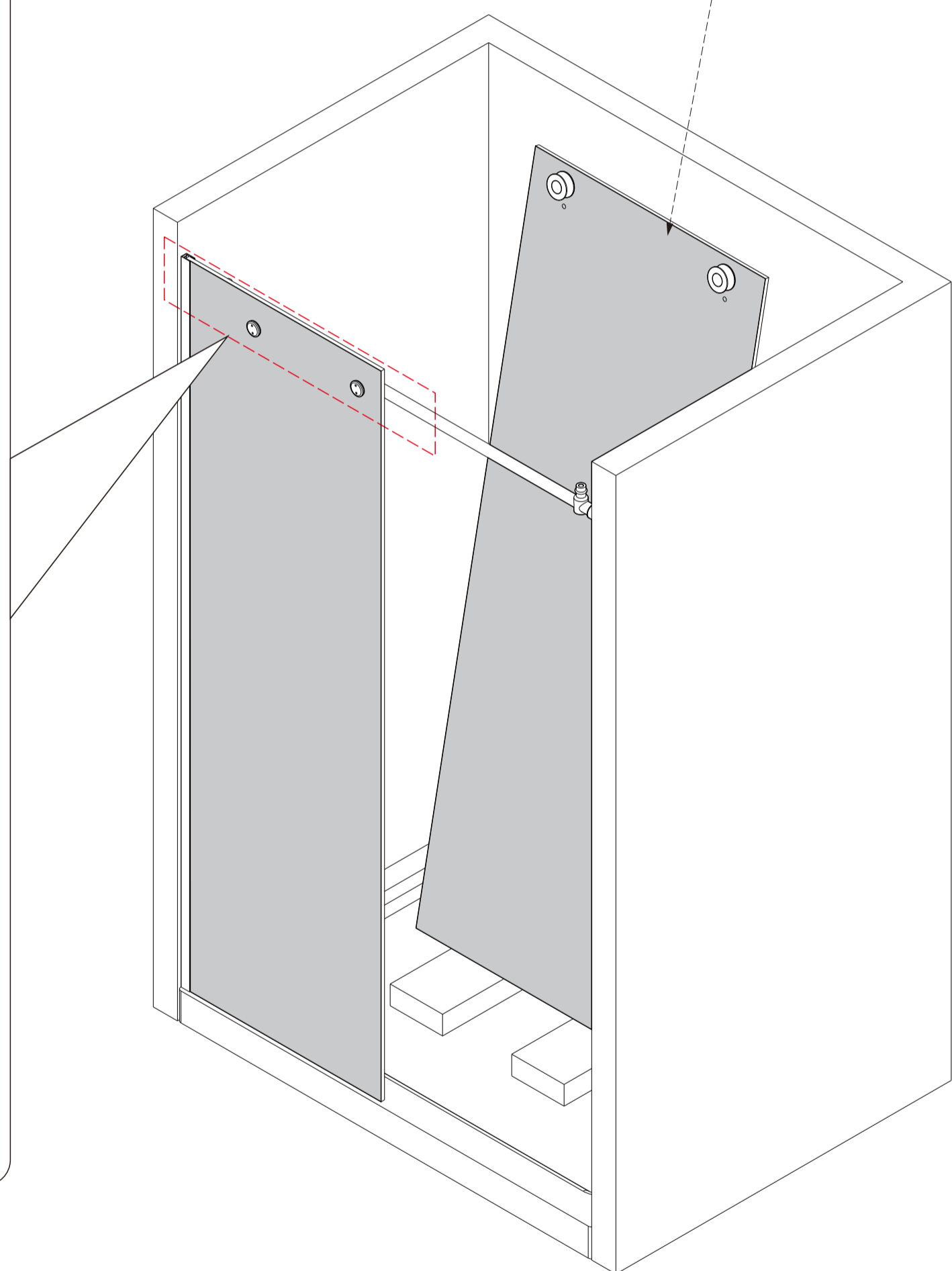
## 9 Install the Upper Guide Rail(I)

NOTE

1. Take out the **Glass Brackets(J)** with a special wrench, and install the **Glass Brackets(J)** on the **Stationary Glass(N)**, thereby fixing the **Upper Guide Rail(I)** as Fig.a and Fig.b .
2. Note: Make sure there is an installation gasket.



Lay the glass on a soft padded surface!



Note: The shower door can be installed left or right, according to the need to determine the installation direction.

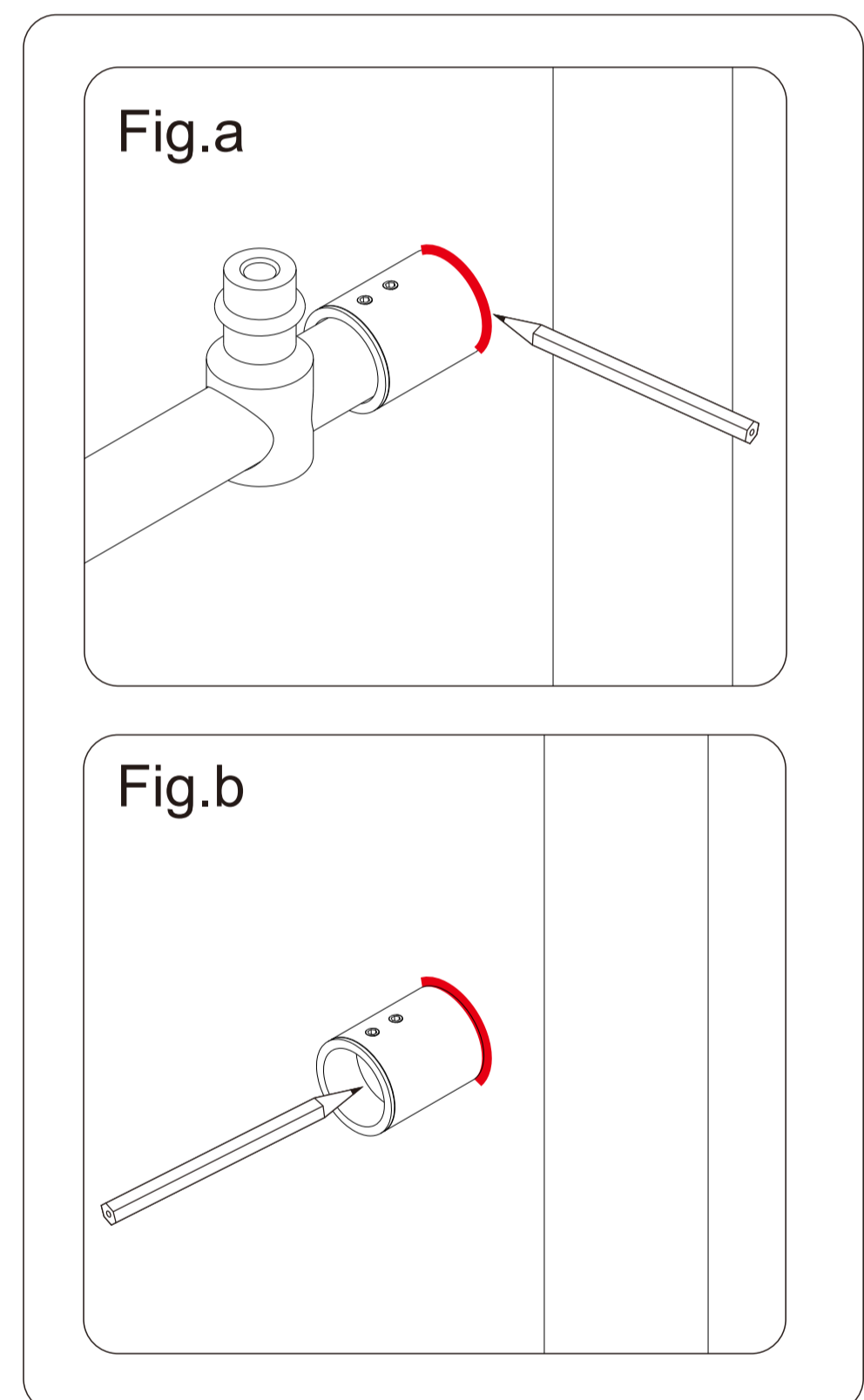
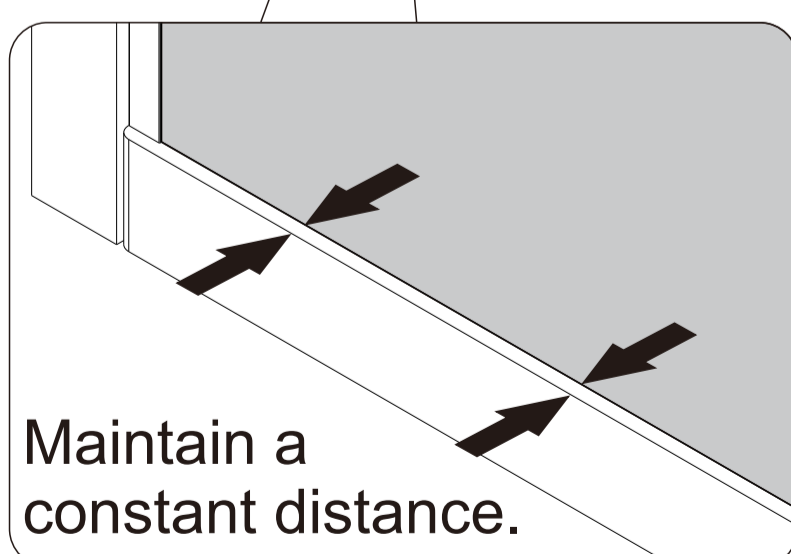
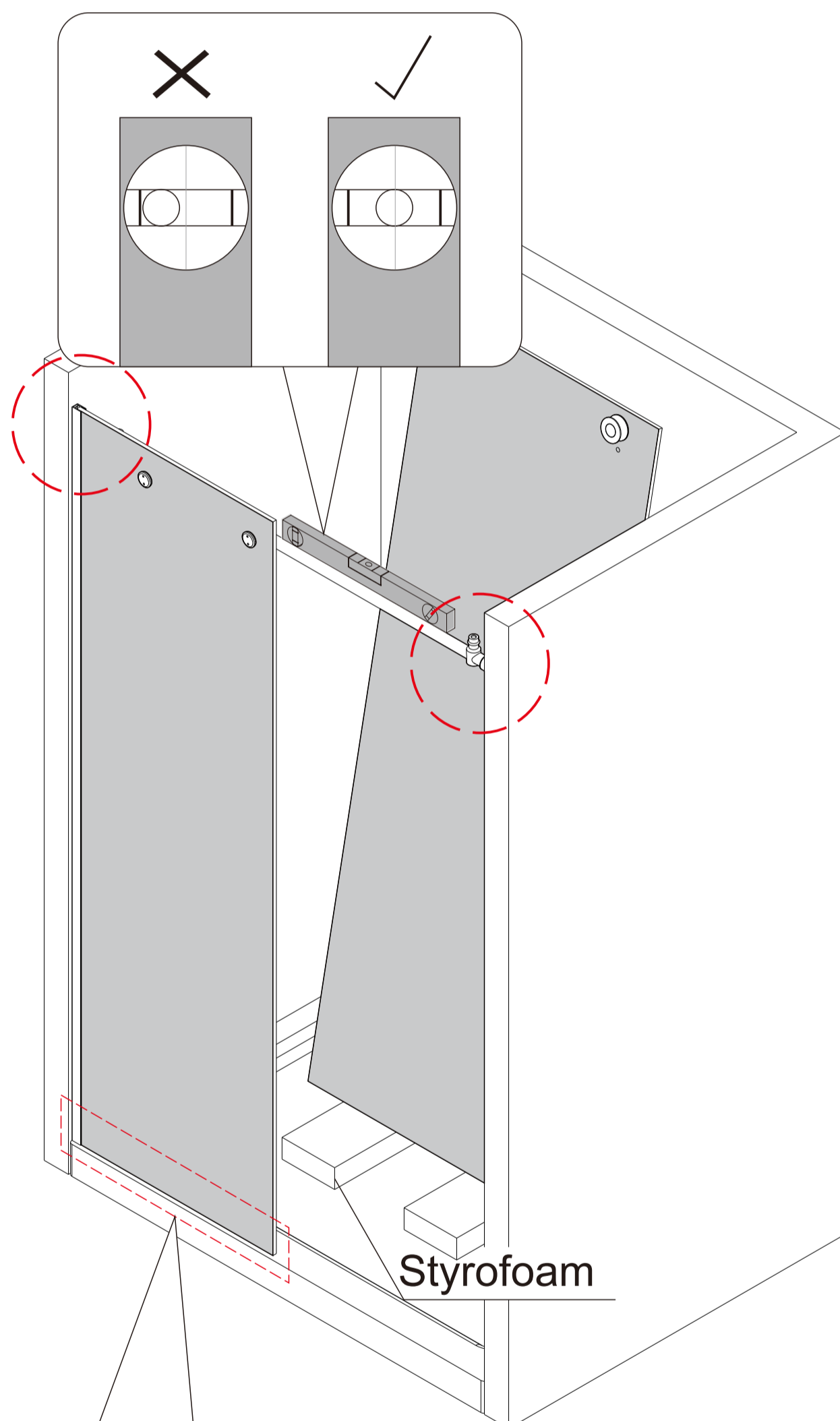


CAUTION: Do not put glass directly on the ground

## 10 Mark the location of the **Guide Rail Brackets(H)**

NOTE

1. Make sure that the **Upper Guide Rail(I)** is parallel and mark the position of the **Guide Rail Brackets(H)** with a pencil as Fig.a.
2. Remove the **Upper Guide Rail(I)**, place the **Guide Rail Brackets(H)** in the marked position, and mark the hole of the **Guide Rail Brackets(H)** as Fig.b.



**CAUTION:** Do not put glass directly on the ground

## 11 Borehole

NOTE

1. Drill holes with  $\Phi 6\text{mm}$  (1/4") drill bit as Fig.a .
2. Insert in **Wall Anchors(aa)** as Fig.b .

Lay the glass on a soft padded surface!

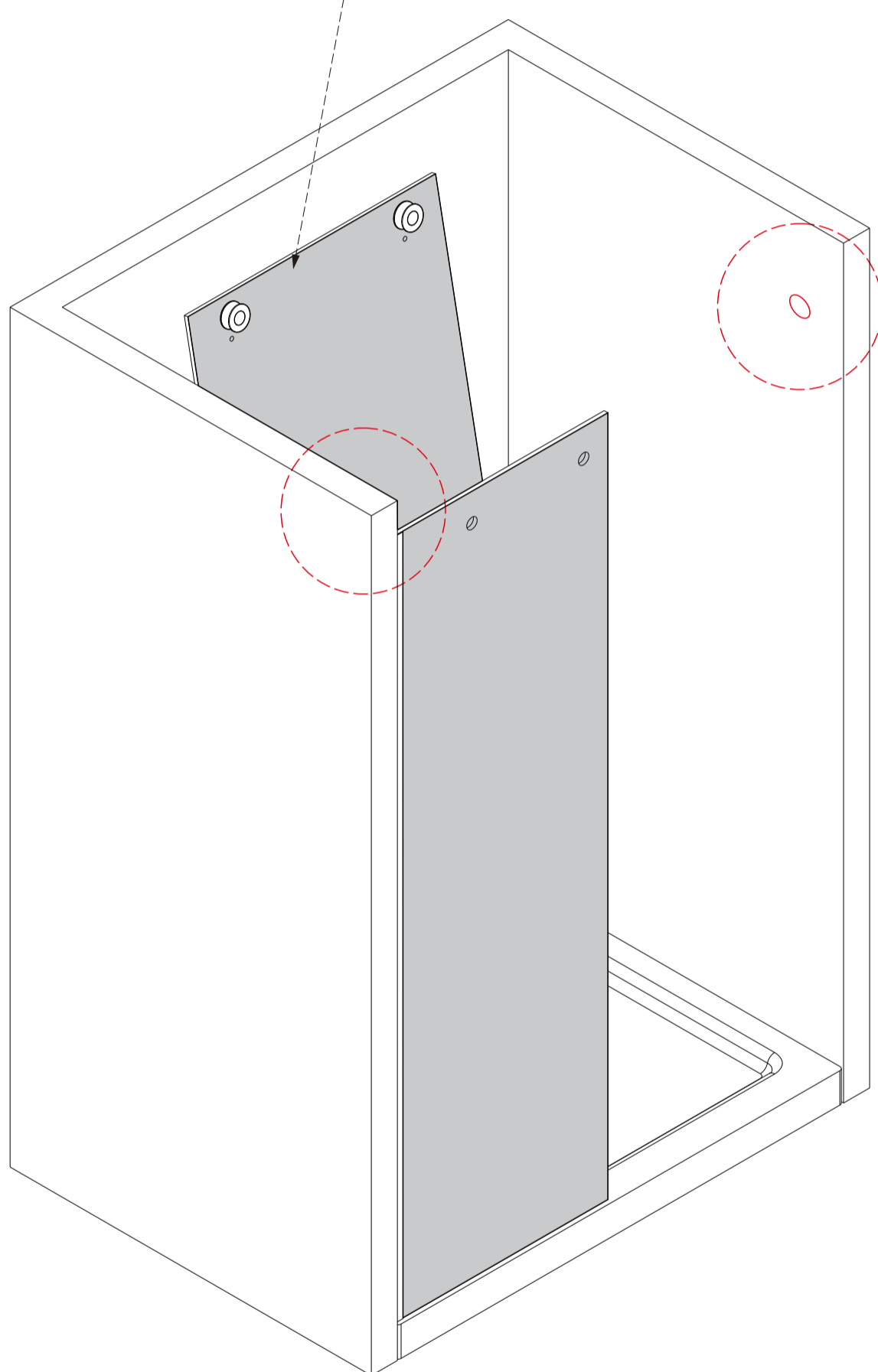


Fig.a (1/4")  
 $\Phi 6\text{mm}$

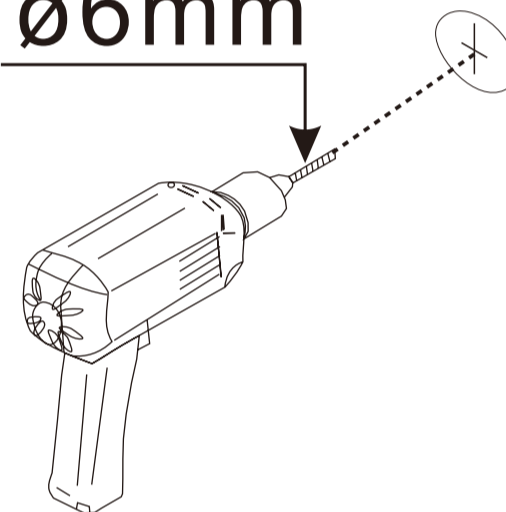
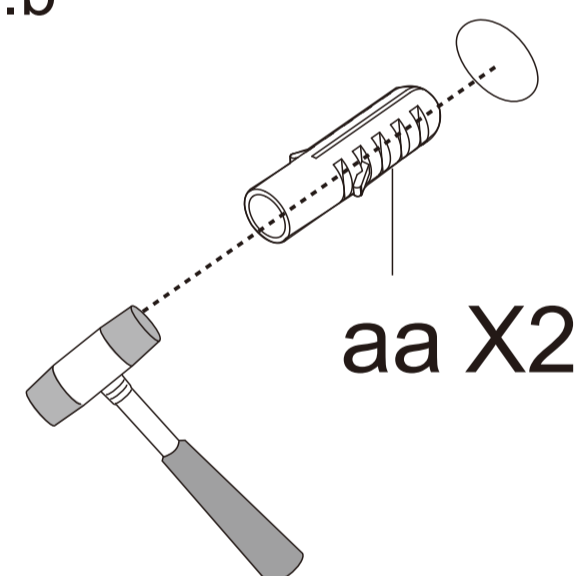


Fig.b



Note: The shower door can be installed left or right, according to the need to determine the installation direction.

NOTE

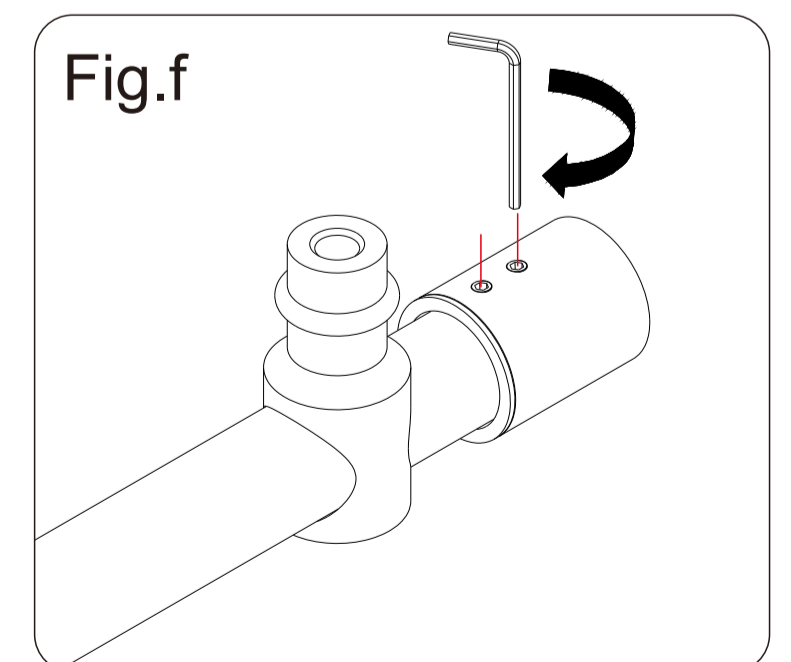
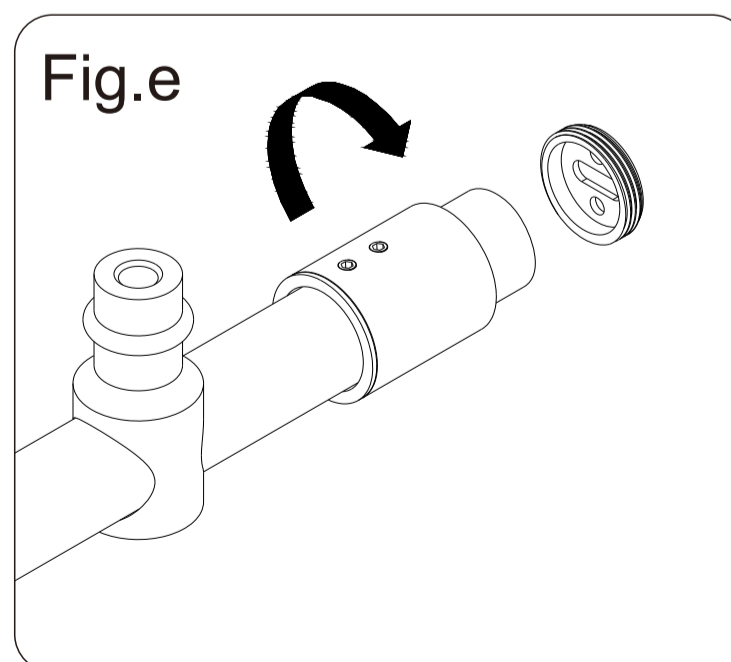
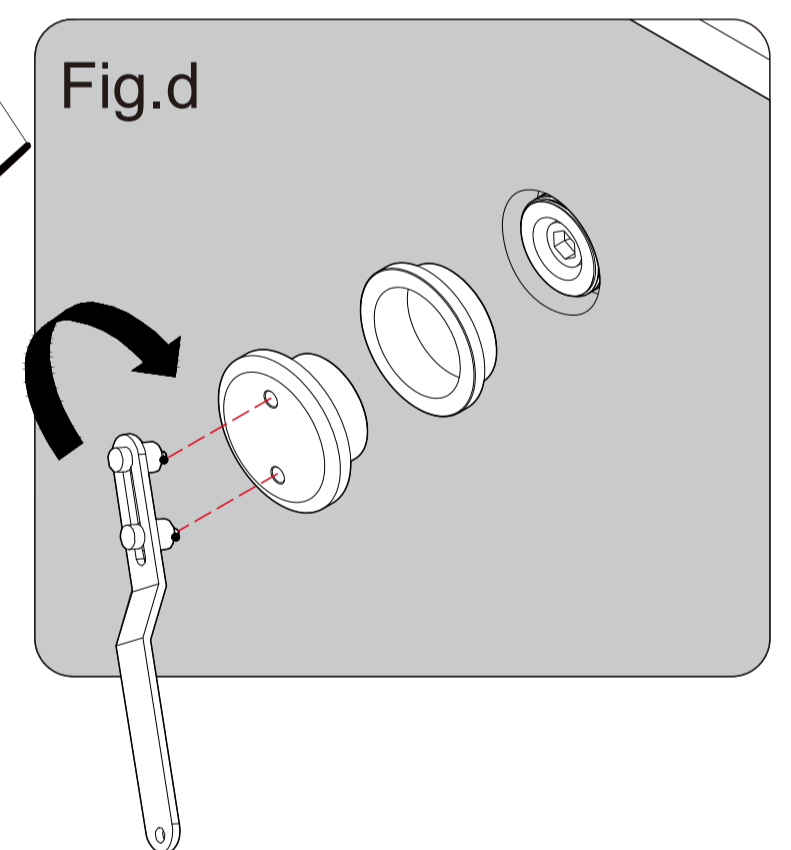
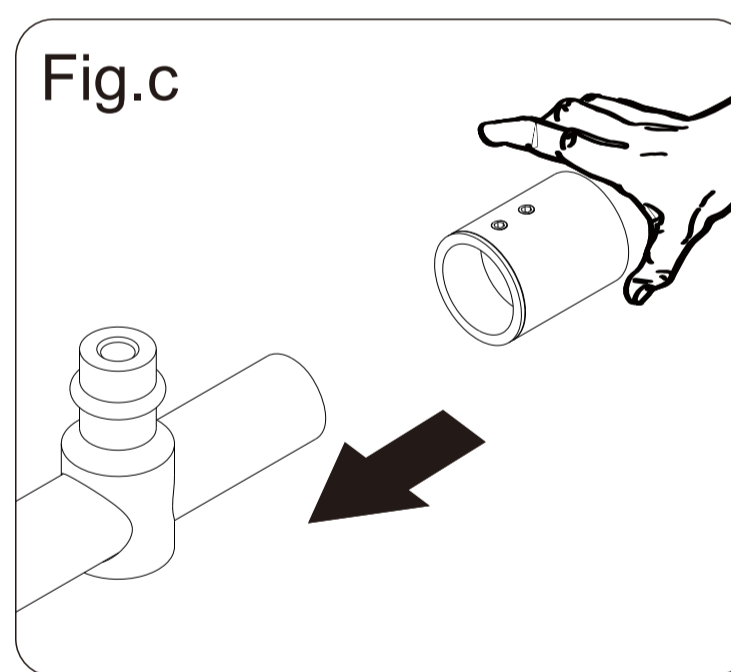
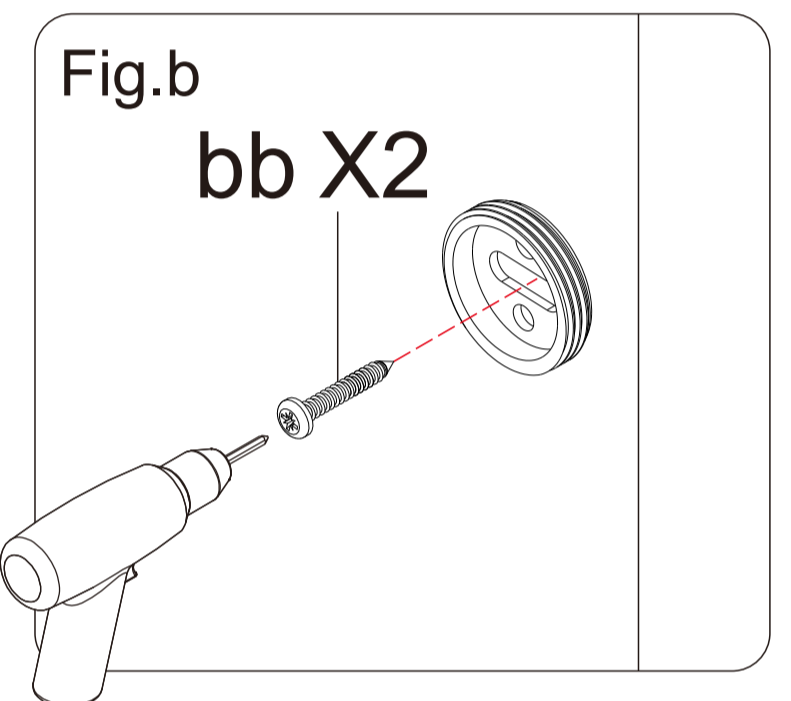
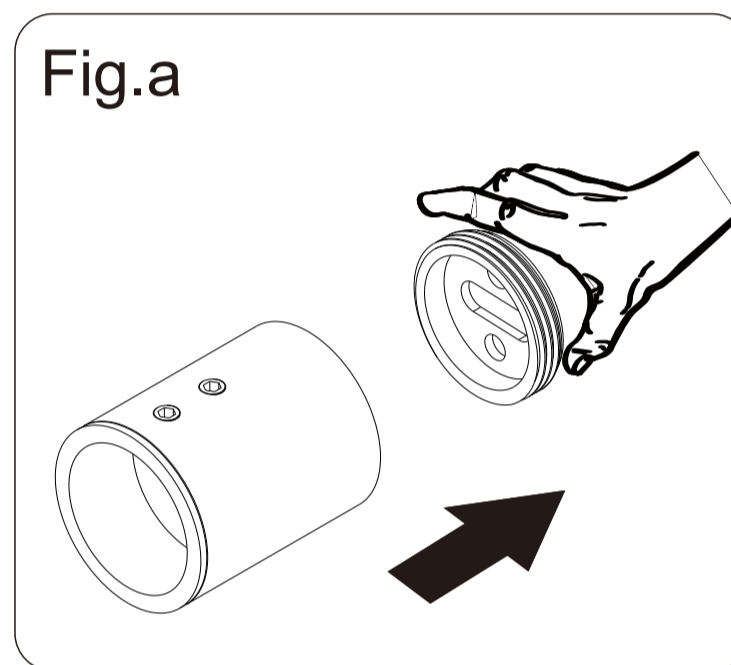
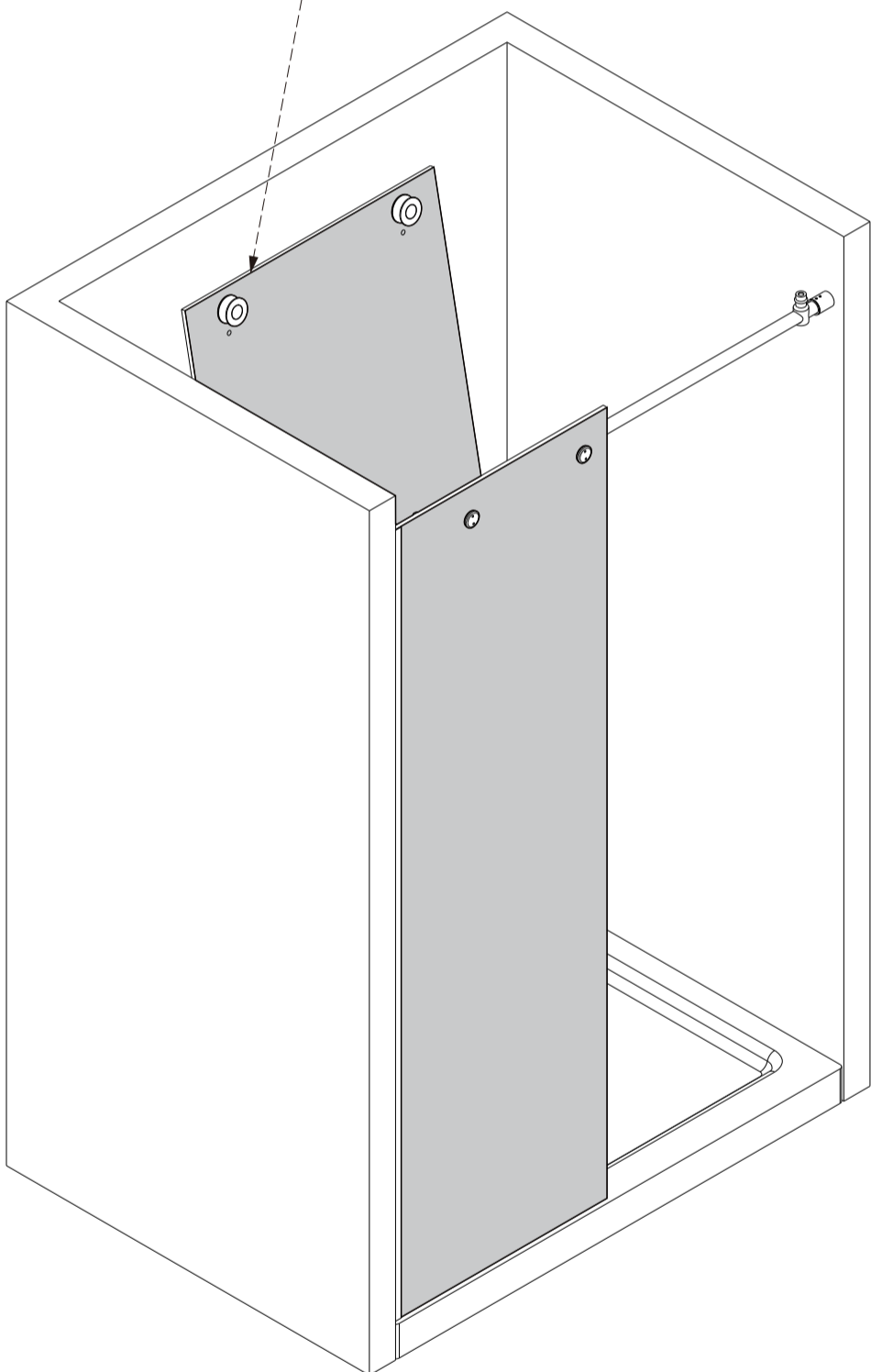
- If a Stud is present behind the wall:  
drill  $\Phi 1/8"$  (3mm) pilot holes into the stud and use the ST4.0x30mm **Screws(bb)**  
OR
- If NO Stud is present behind the wall:  
drill  $\Phi 1/4"$  (6mm) holes and insert the **Wall Anchors(aa)** and use the ST4.0x30mm **Screws(bb)**.

**12** Install the **Upper Guide Rail(I)**

NOTE

1. Take out the **Guide Rail Brackets(H)** bottom cap as Fig.a .
2. Secure the bottom cap with **Screws(bb)** as Fig.b .
3. Attach the **Guide Rail Brackets(H)** to the **Upper Guide Rail(I)** as Fig.c .
4. Secure the **Upper Guide Rail(I)** to the **Stationary Glass(N)** with the **Glass Brackets(J)** as Fig.d .
5. Push the **Guide Rail Brackets(H)** onto the bottom cap as Fig.e .
6. Secure the **Guide Rail Brackets(H)** with a hex wrench as Fig.f .

Lay the glass on a soft padded surface!

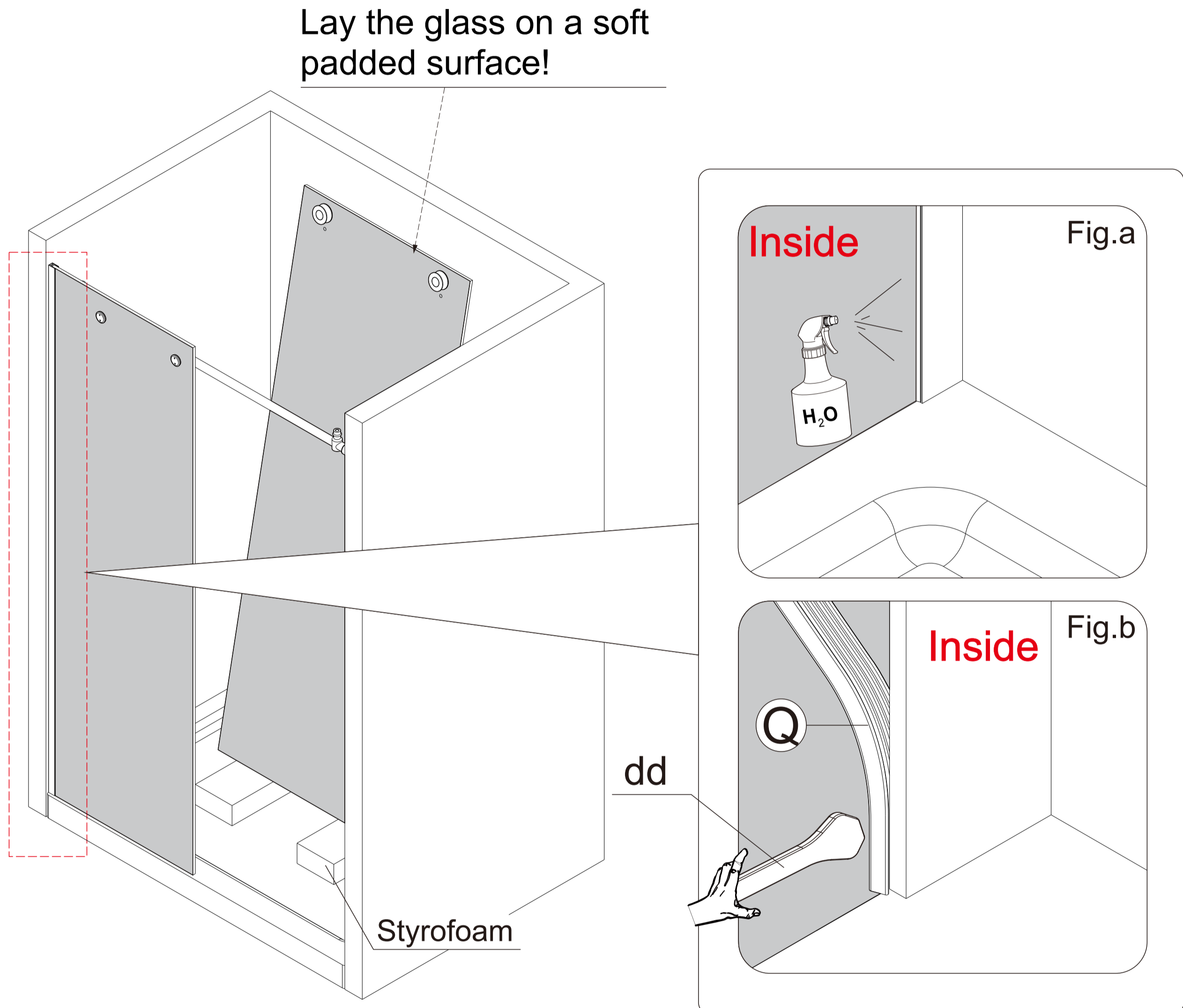


**CAUTION:** Do not put glass directly on the ground

## 11 Insert Wedge Seal(Q)

NOTE

1. Spray water on the **Stationary Glass(N)** and the slot of **Wall Jamb(L)** as Fig.a.
2. Insert in the **Wedge Seal(Q)** Using the given Wedge seal install tool to press the **Wedge seal(Q)** and Fit it place as Fig.b.



Note: The shower door can be installed left or right, according to the need to determine the installation direction.



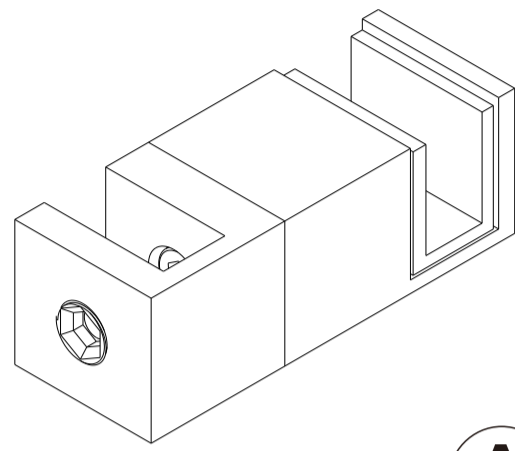
CAUTION: Do not put glass directly on the ground

## 12 Tips & Tricks

NOTE

Adjust the direction of the **Guide Block(A)** according to the installation direction of the shower room as Fig.a-f

Fig.a



Left

A

Fig.d

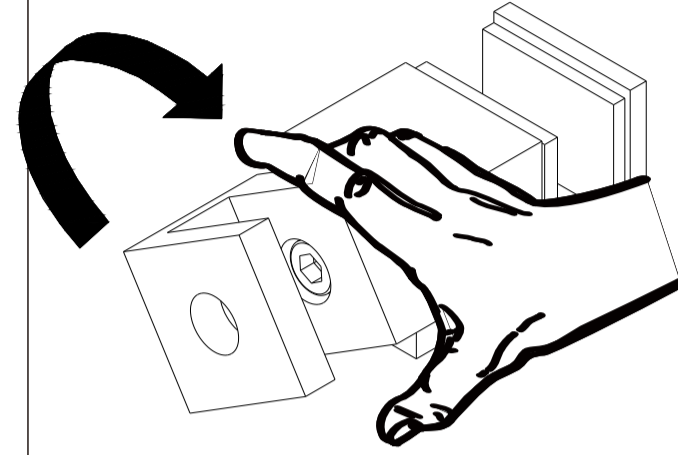


Fig.b

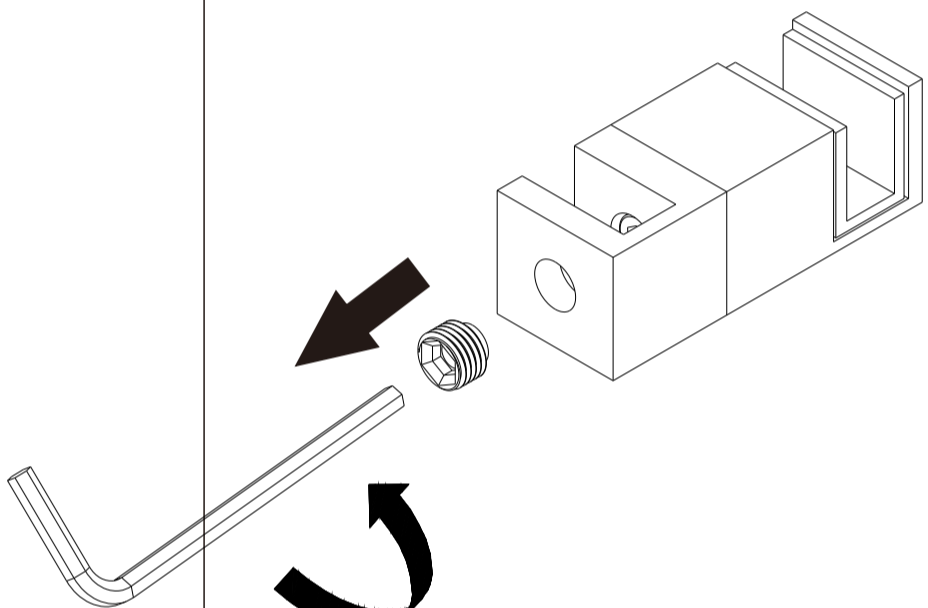


Fig.e

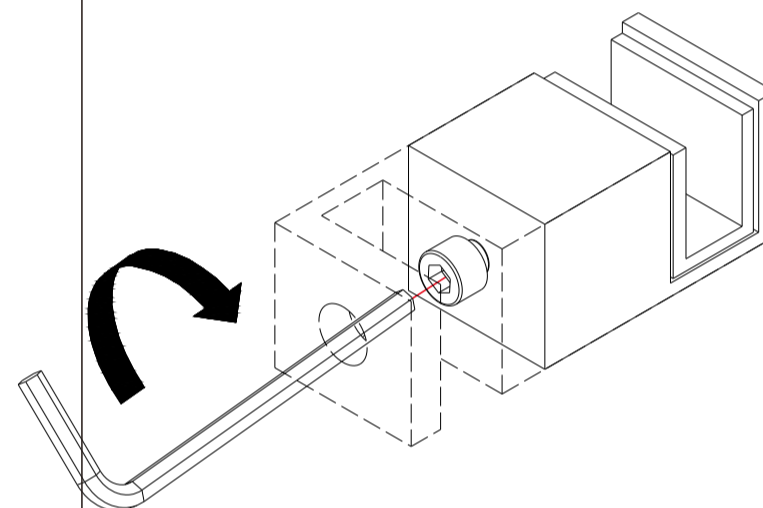


Fig.c

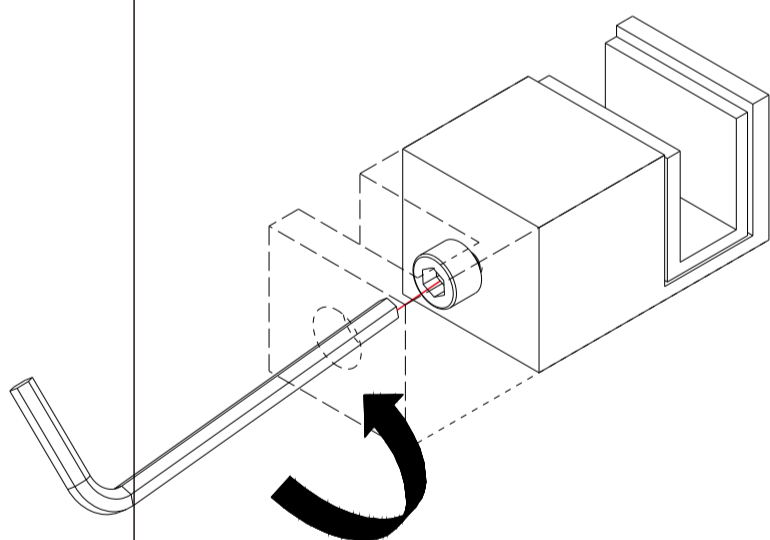


Fig.f

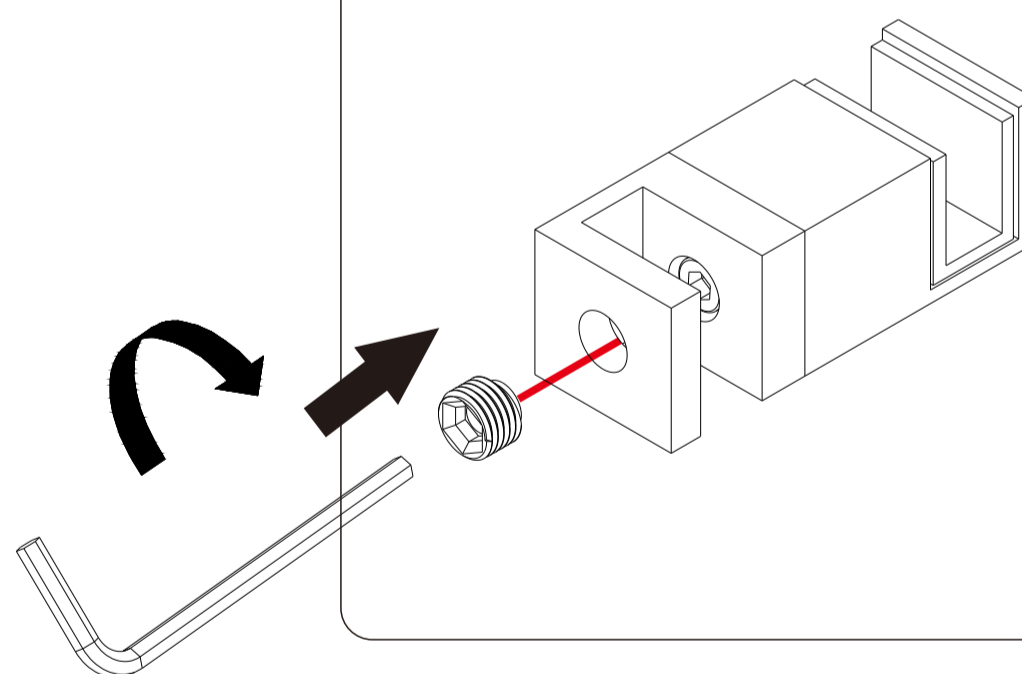
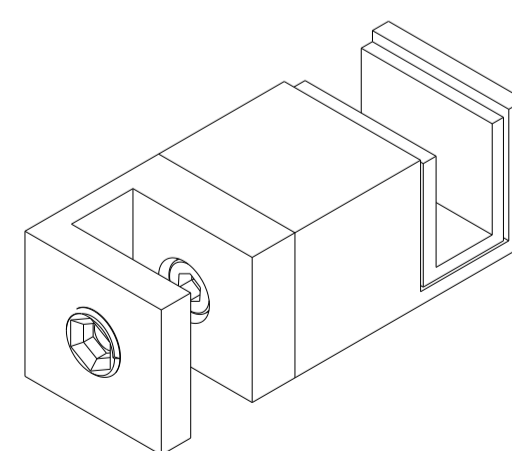


Fig.g



Right

A

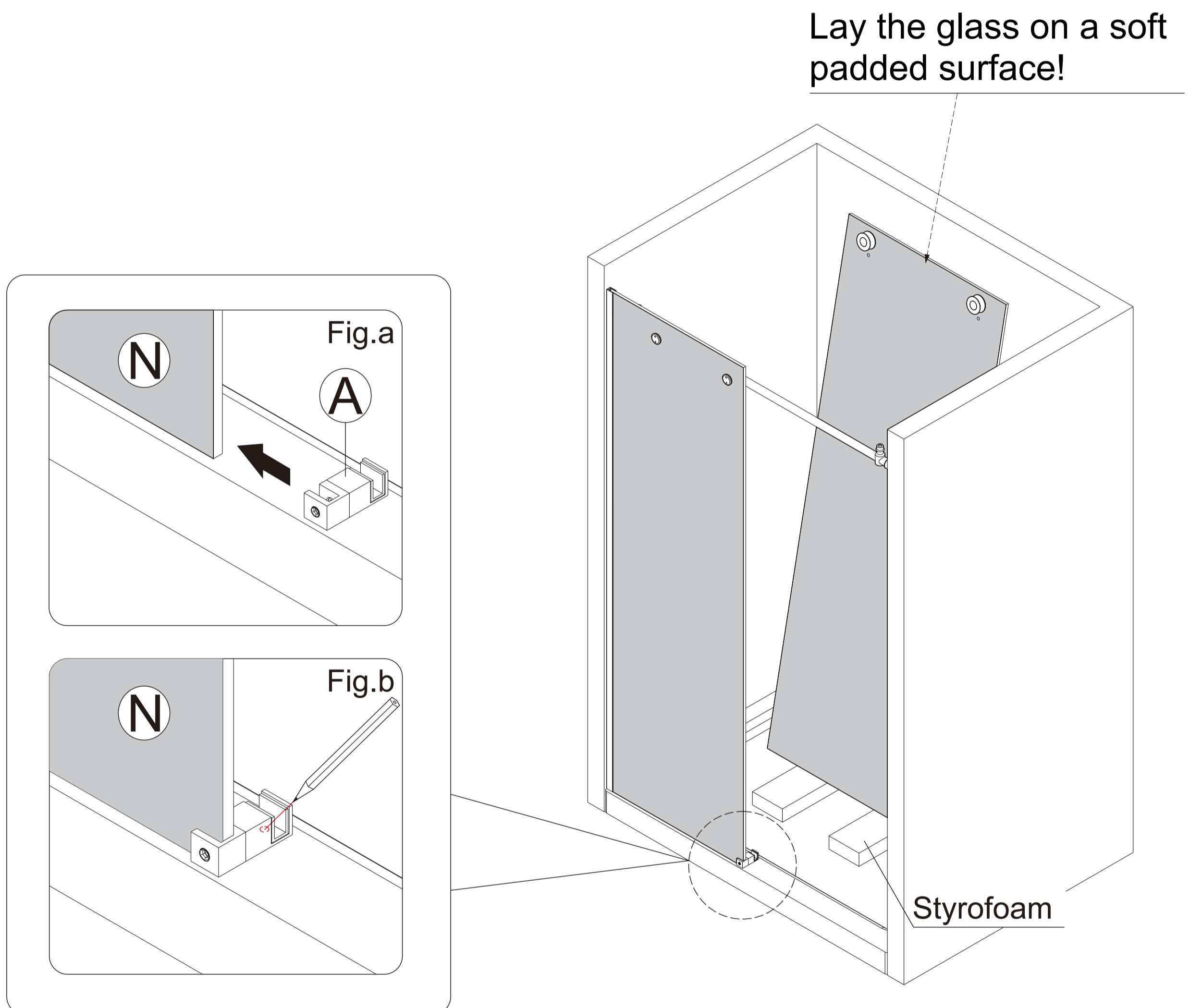


Note: The shower door can be installed left or right, according to the need to determine the installation direction.

## 13 Mark the holes in the **Guide Block(A)**

NOTE

1. Install the **Guide Block(A)** on the **Stationary glass(N)** as Fig.a .
2. Mark the holes in the **Guide Block(A)** with a pencil as Fig.b .

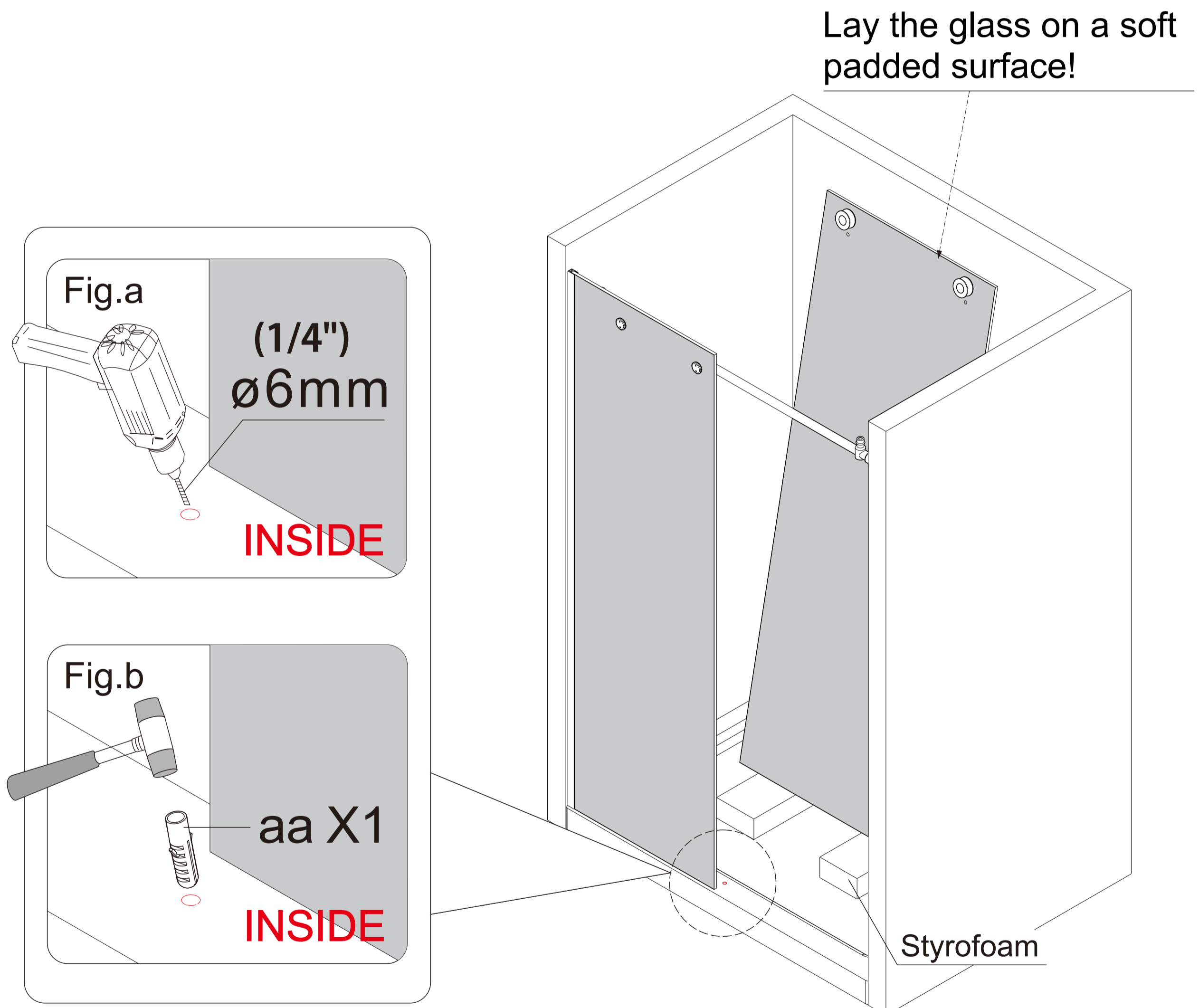


Note: The shower door can be installed left or right, according to the need to determine the installation direction.

## 14 Insert Wall Anchors(aa).

NOTE

1. Drill holes with  $\Phi 6\text{mm}$  ( $1/4''$ ) drill bit as Fig.a .
2. Insert **Wall Anchors(aa)** as Fig.b .

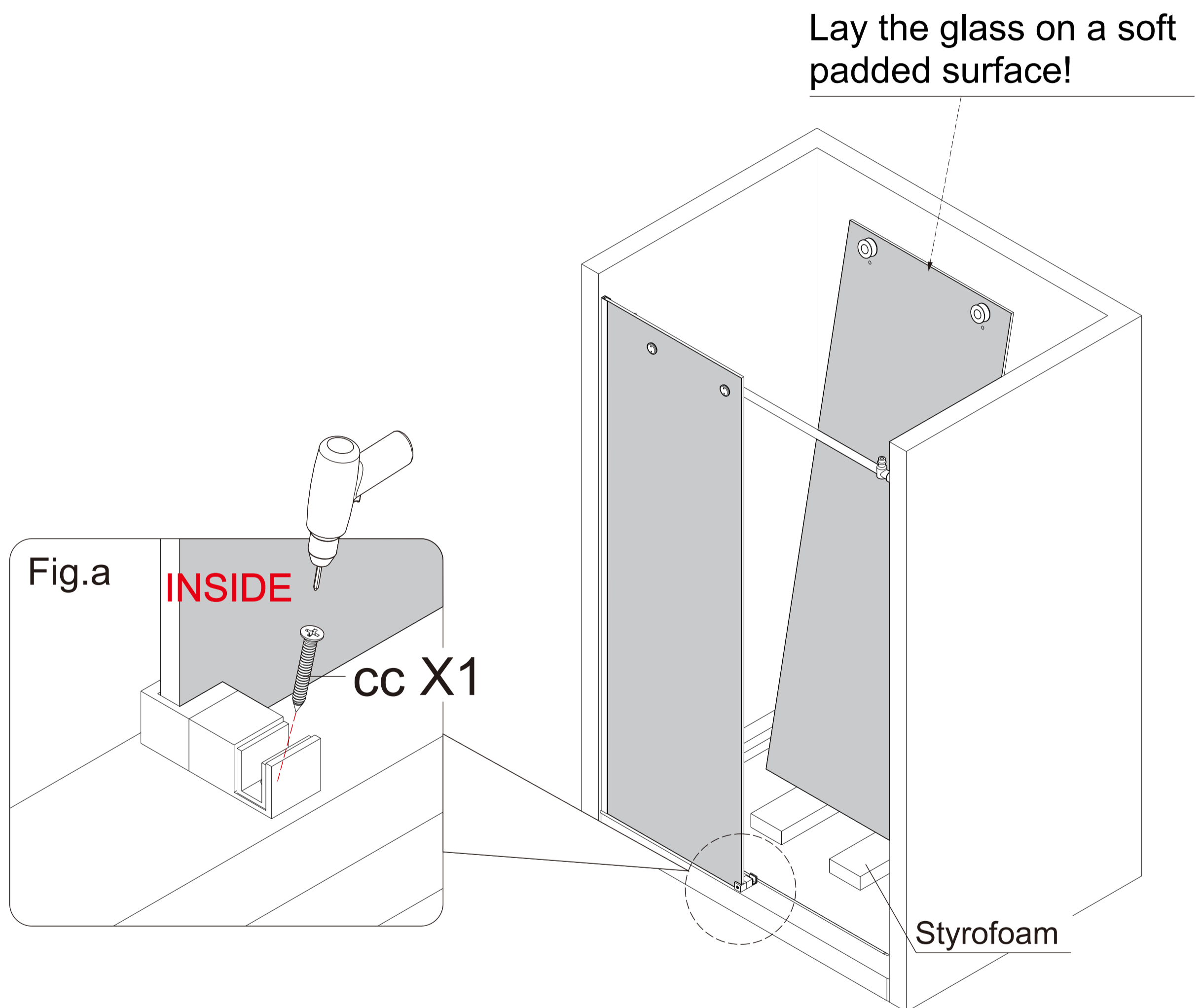


**CAUTION:** Do not put glass directly on the ground

## 15 Install Guide Block(Q)

NOTE

Secure the **Guide Block(Q)** with **Screws (cc)** as Fig.a .



Note: The shower door can be installed left or right, according to the need to determine the installation direction.

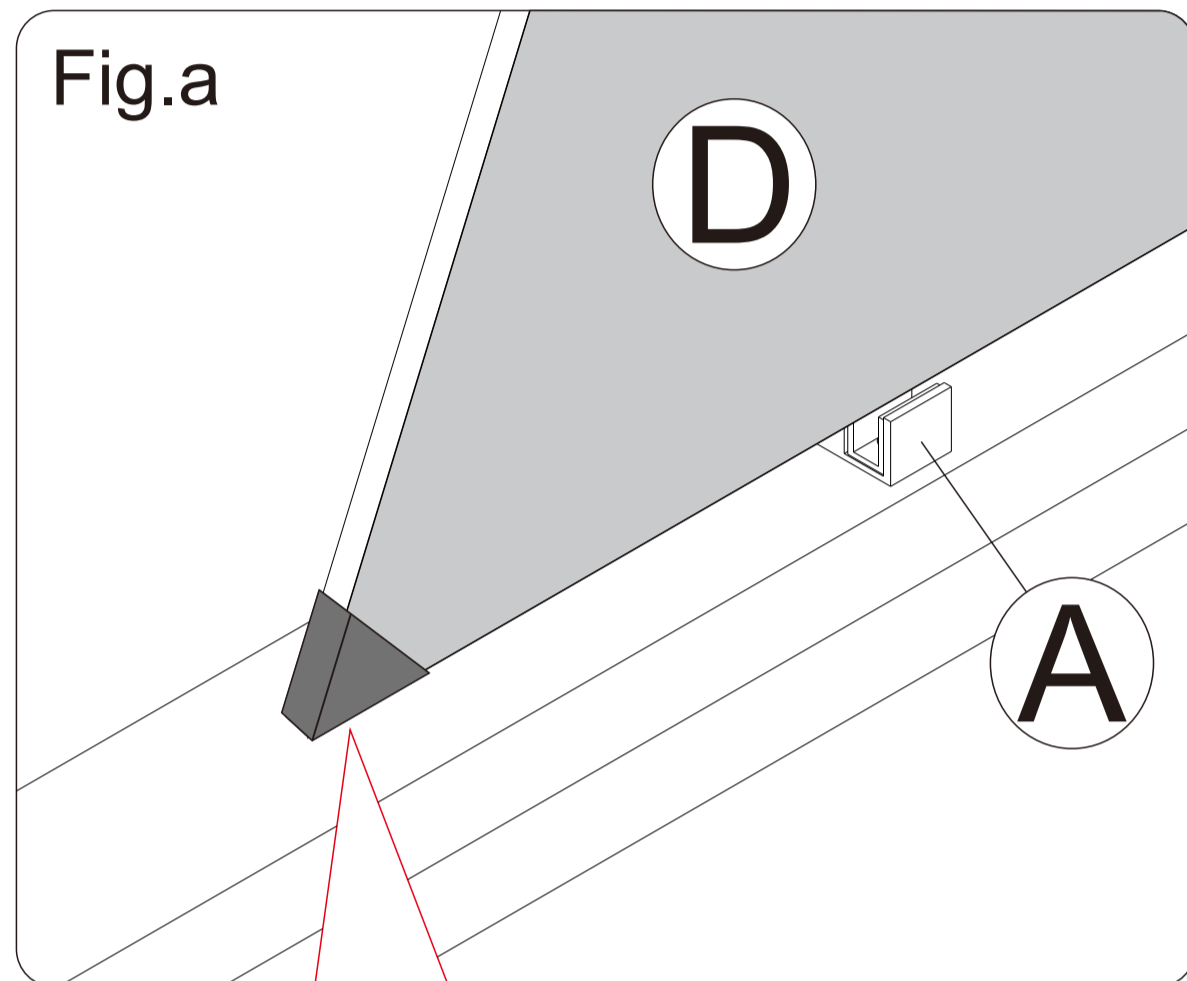
## 16 Install Glass Door(D)

NOTE

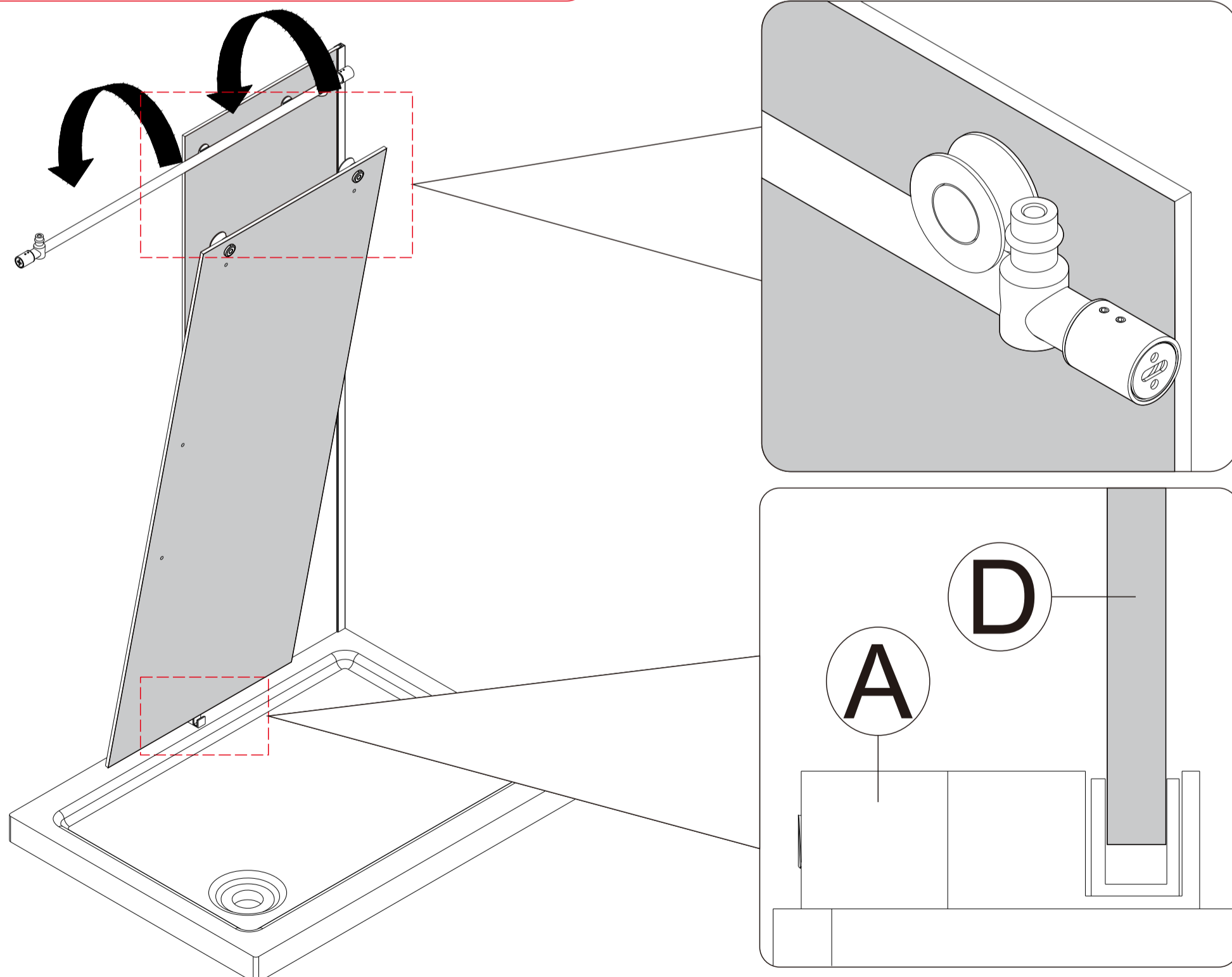
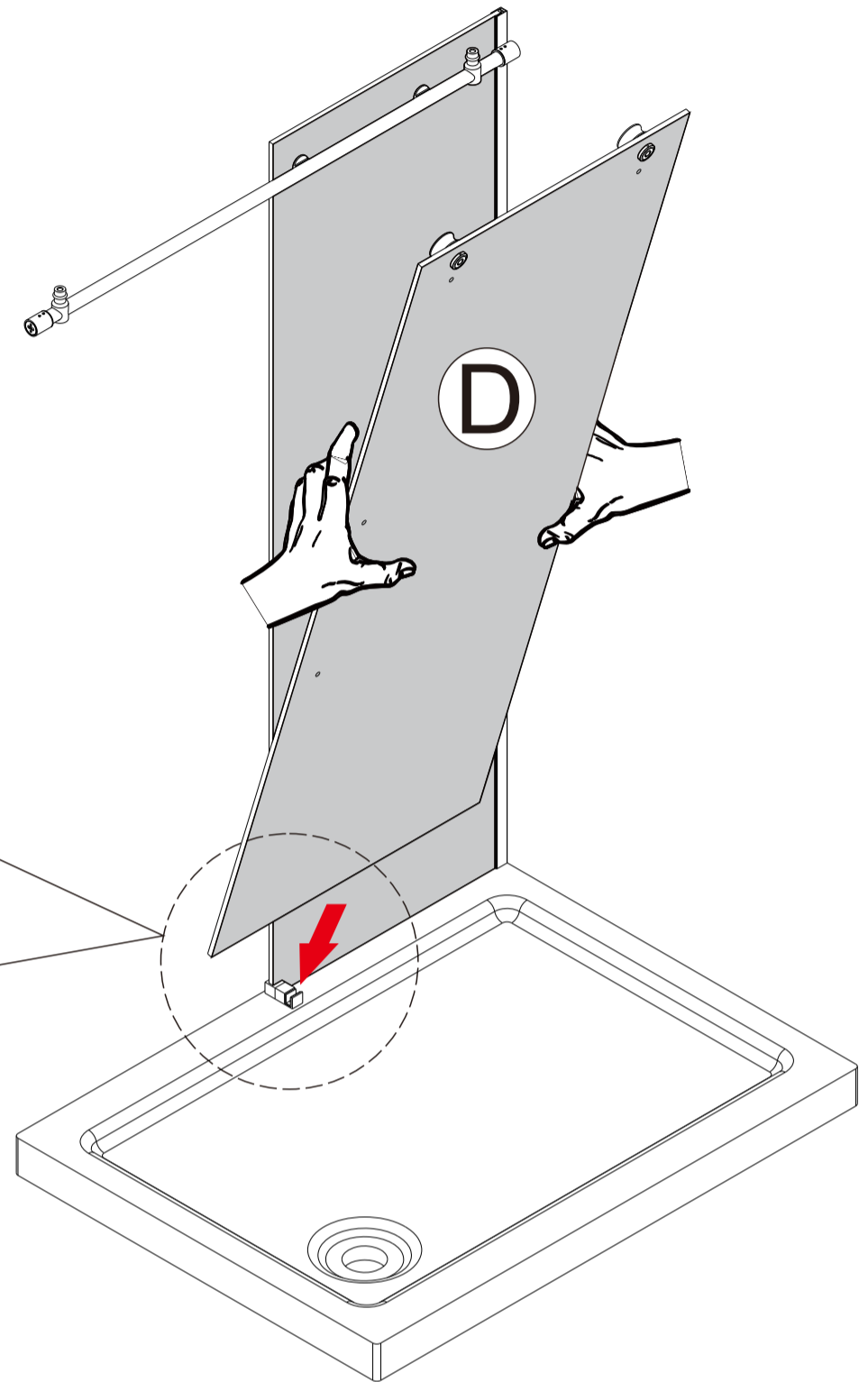
The **Glass Door (D)** is aligned with the **Guide Block(A)**, the **Rollers (G)** is hung on the **Upper Guide Rail (I)**, and the glass is inserted into the **Guide Block (A)** as Fig.a & Fig.b and Fig.c .



**CAUTION:** Do not put glass directly on the ground



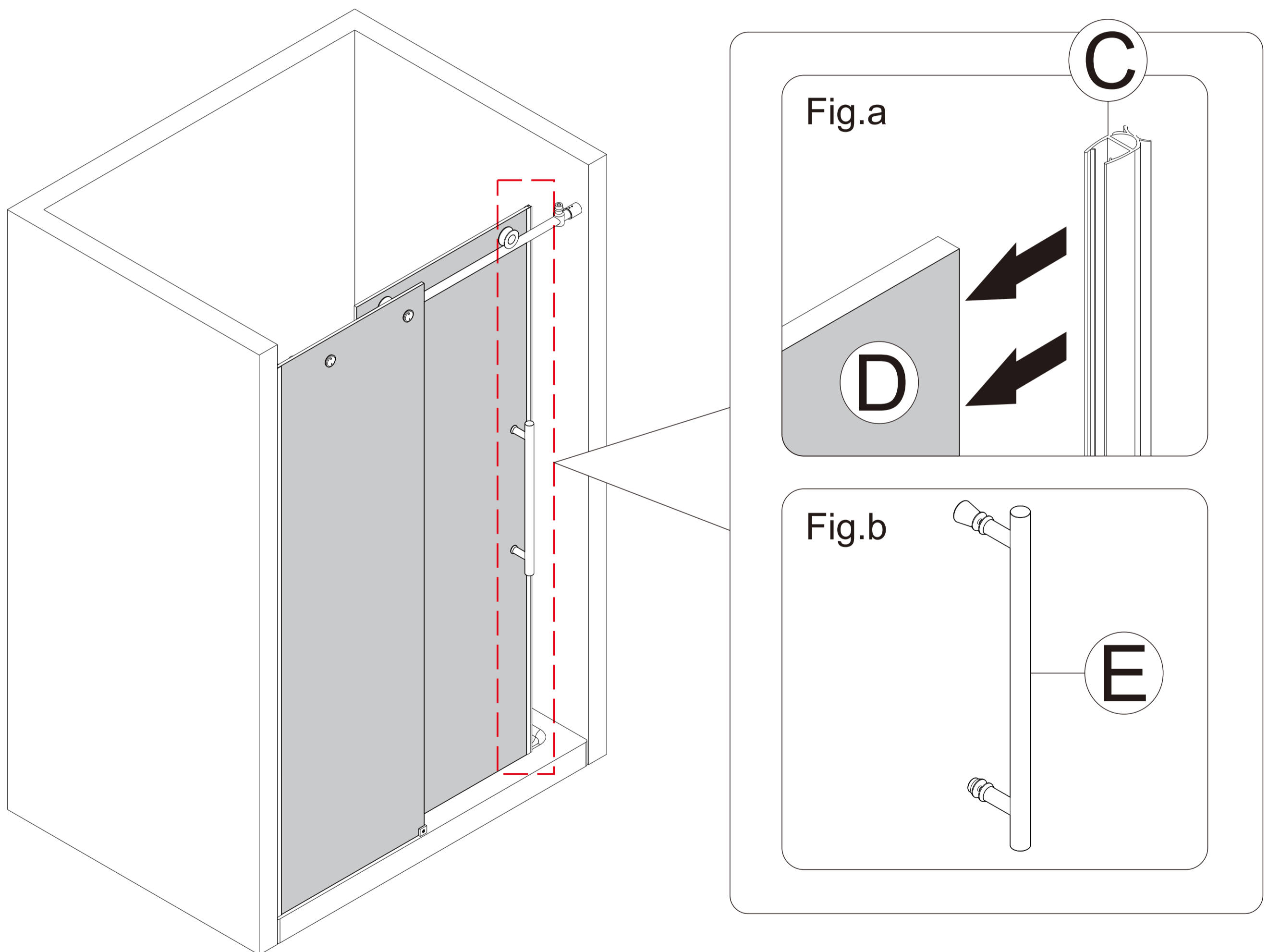
The glass corner protector needs to be placed on the glass to avoid breaking the glass



## 17 Install the **Bumper Strip(C)** and **Handles(E)**

NOTE

1. Install the **Bumper Strip(C)** on the **Glass Door(D)** as Fig.a .
2. Install the **Handle(E)** on the **Glass Door(D)** as Fig.b .

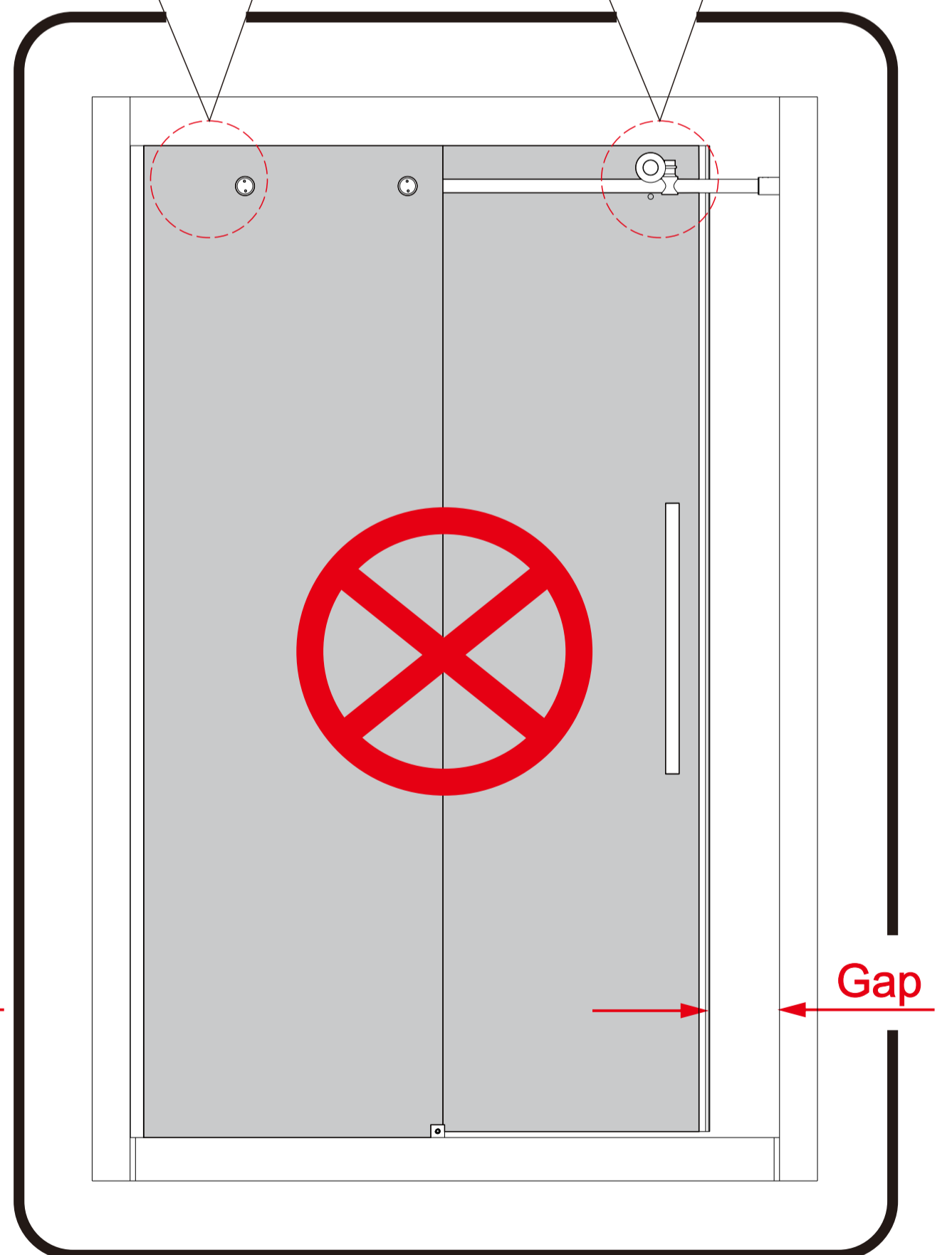
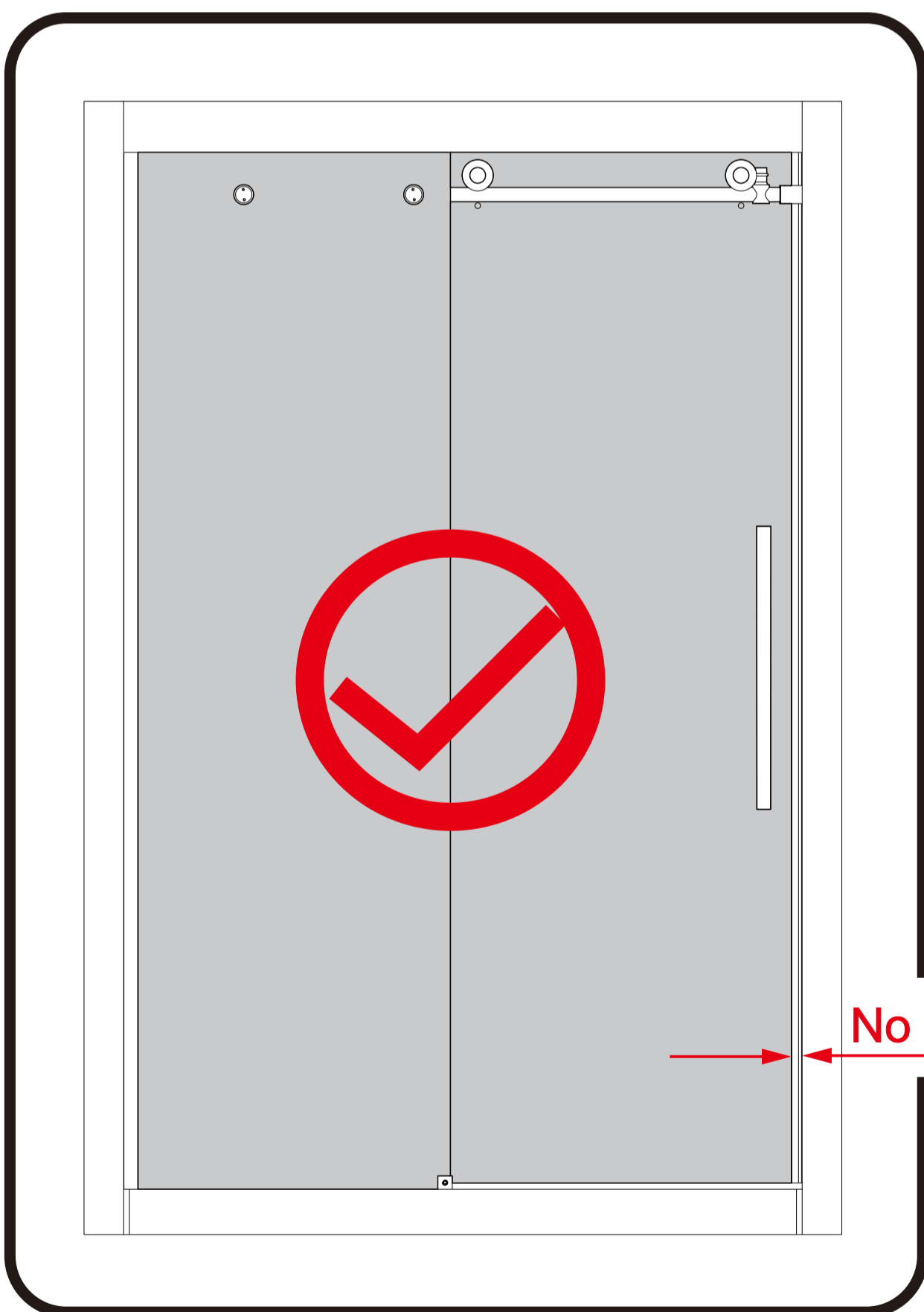
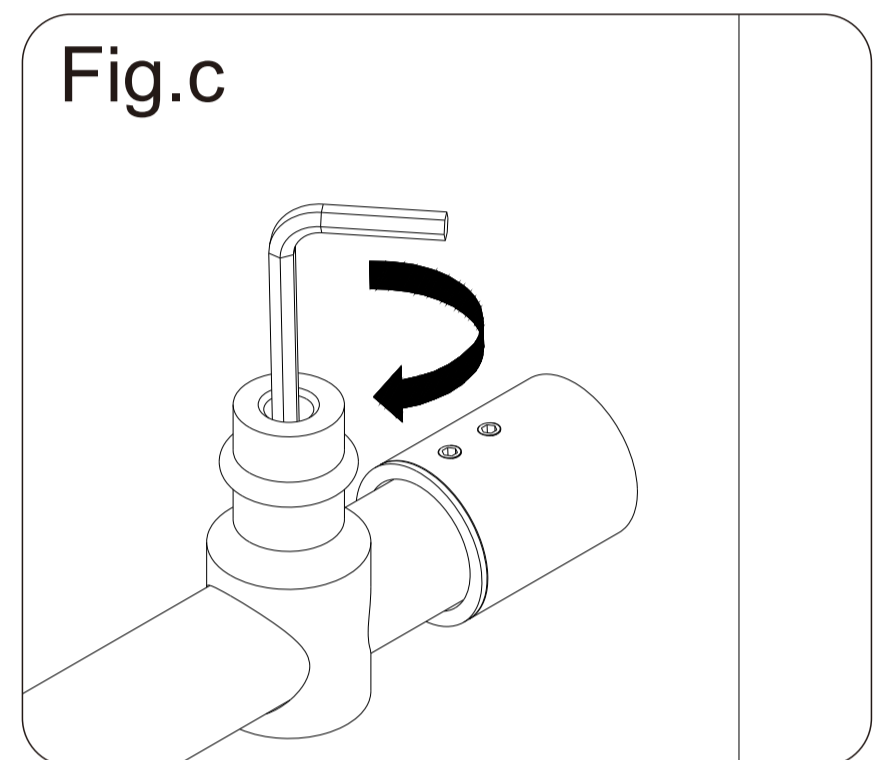
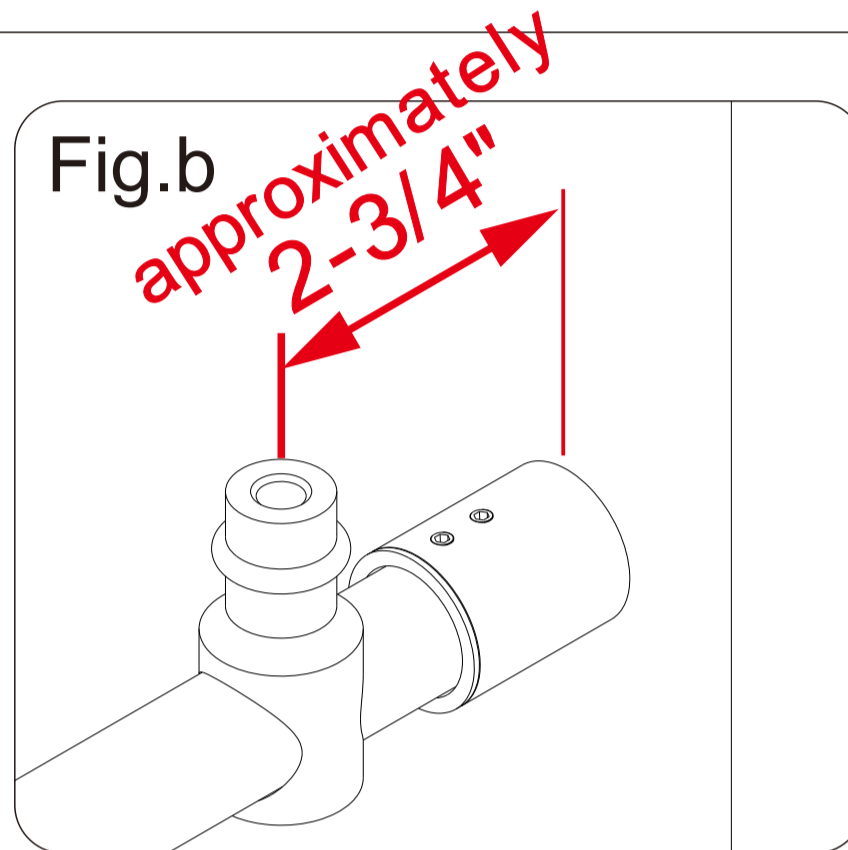
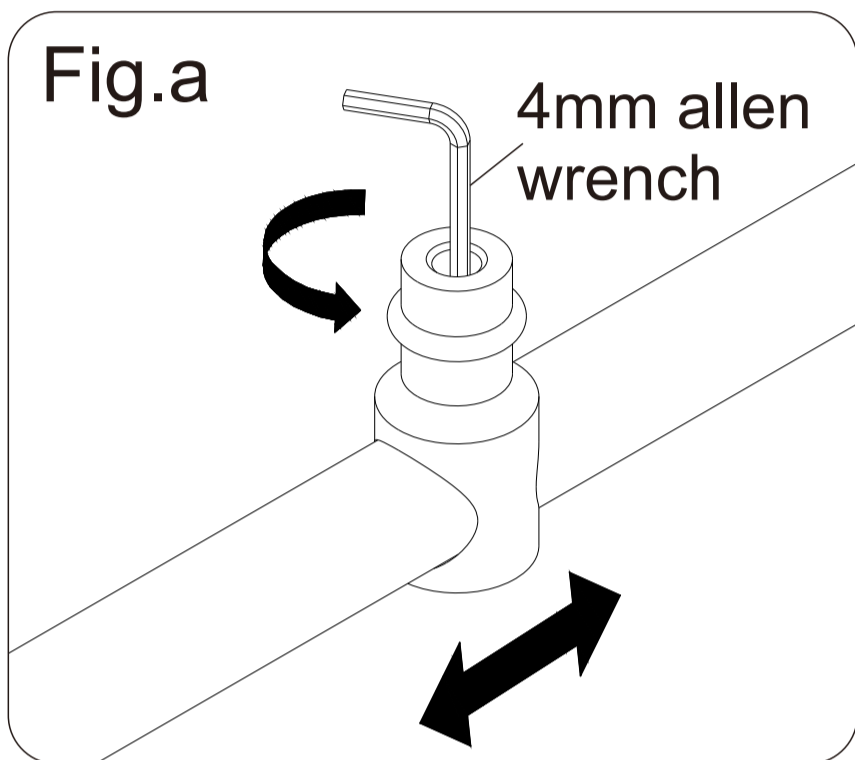


Note: The shower door can be installed left or right, according to the need to determine the installation direction.

## 18-1 Adjustment(Seamless and no adjustments required)

NOTE

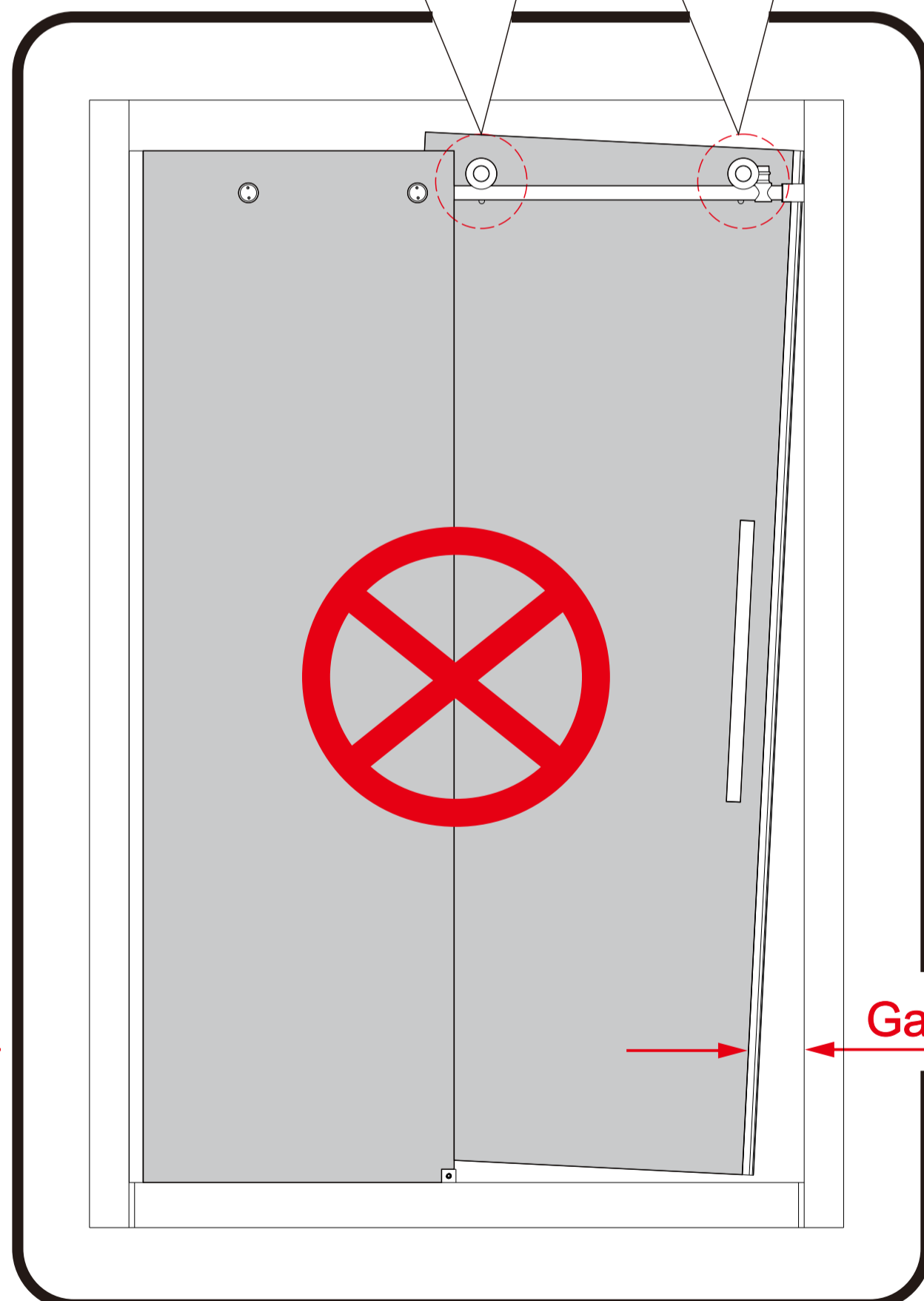
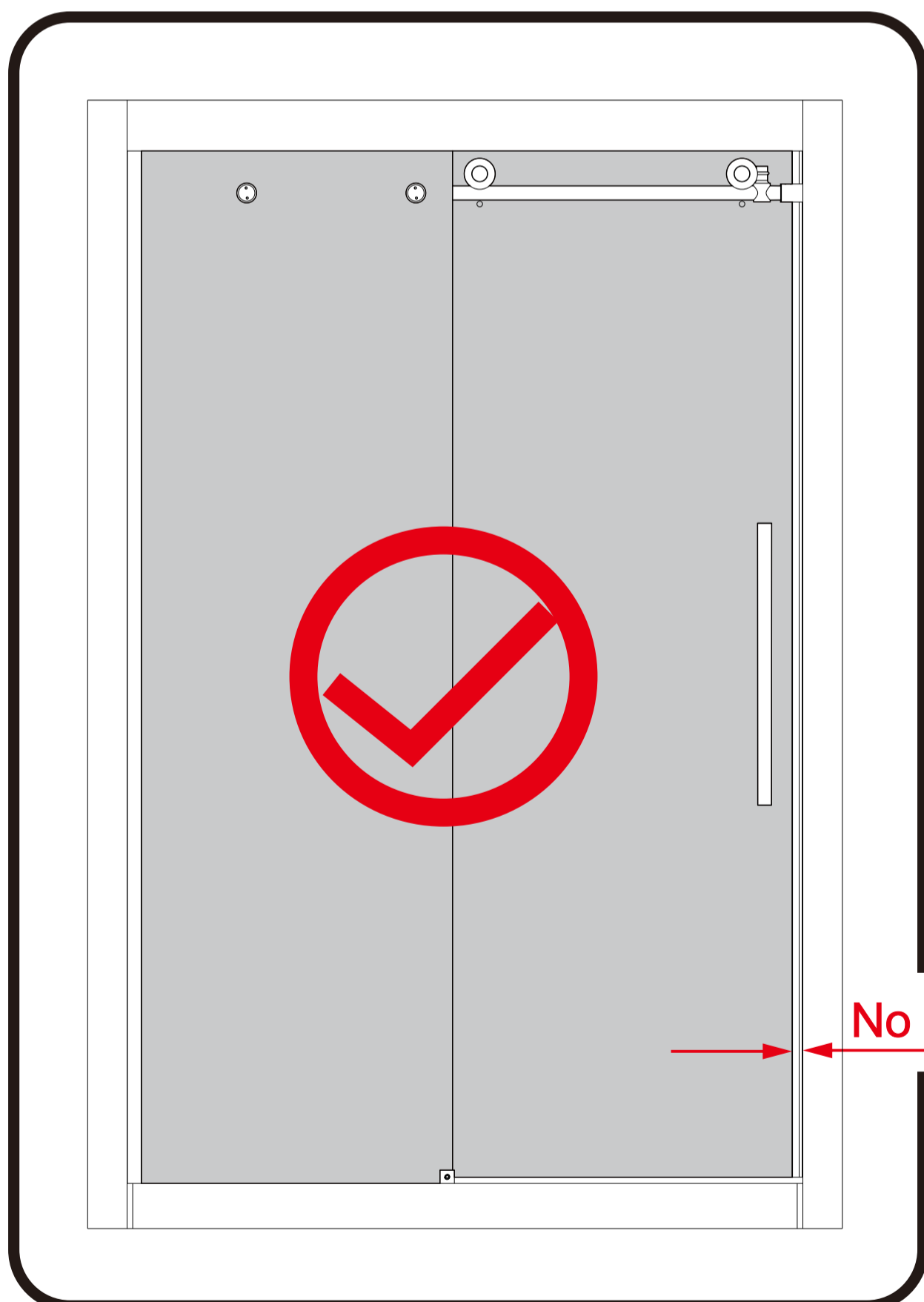
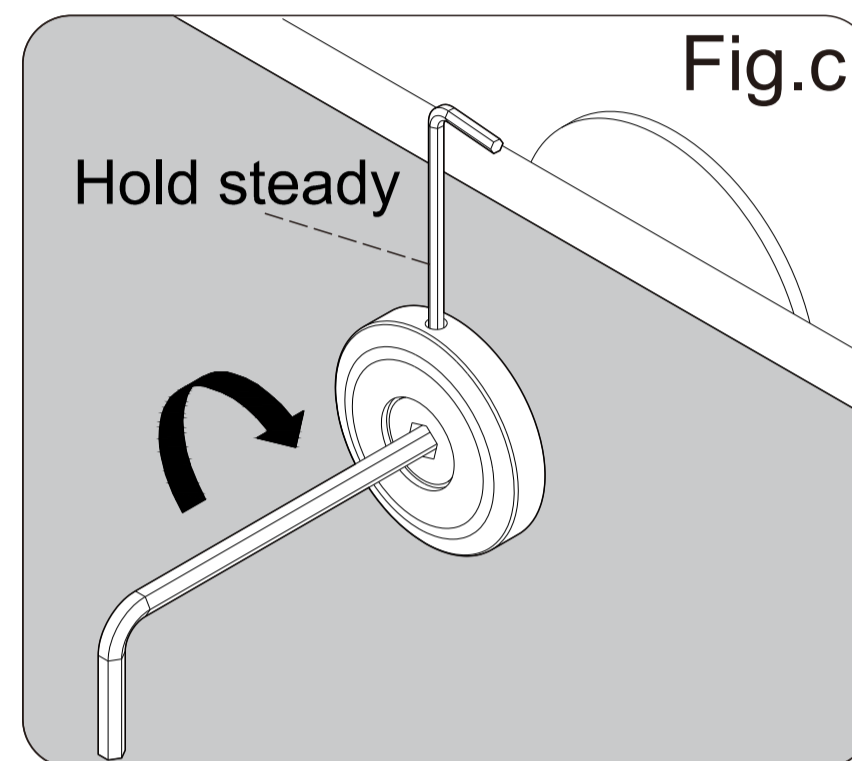
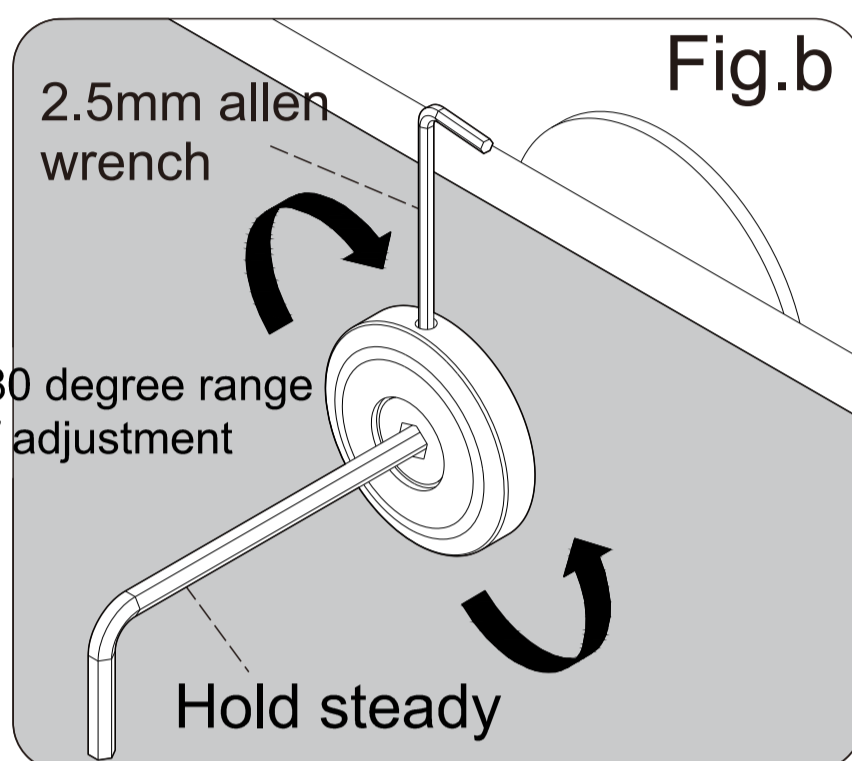
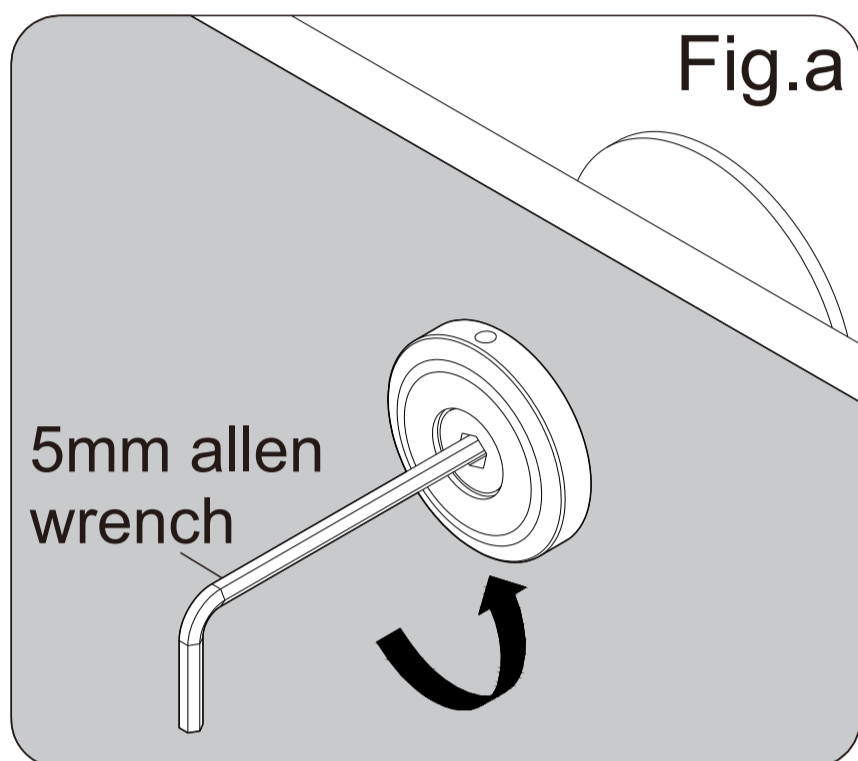
1. Use a hex wrench to loosen the **Door Stoppers(K)** as Fig.a .
2. Adjust the **Door Stoppers(K)** to a distance of approximately 2-3/4 inches from the wall as Fig.b .
3. Use a hex wrench to lock the **Door Stoppers(K)** as Fig.c .



## 18-2 Adjustment(Seamless and no adjustments required)

NOTE

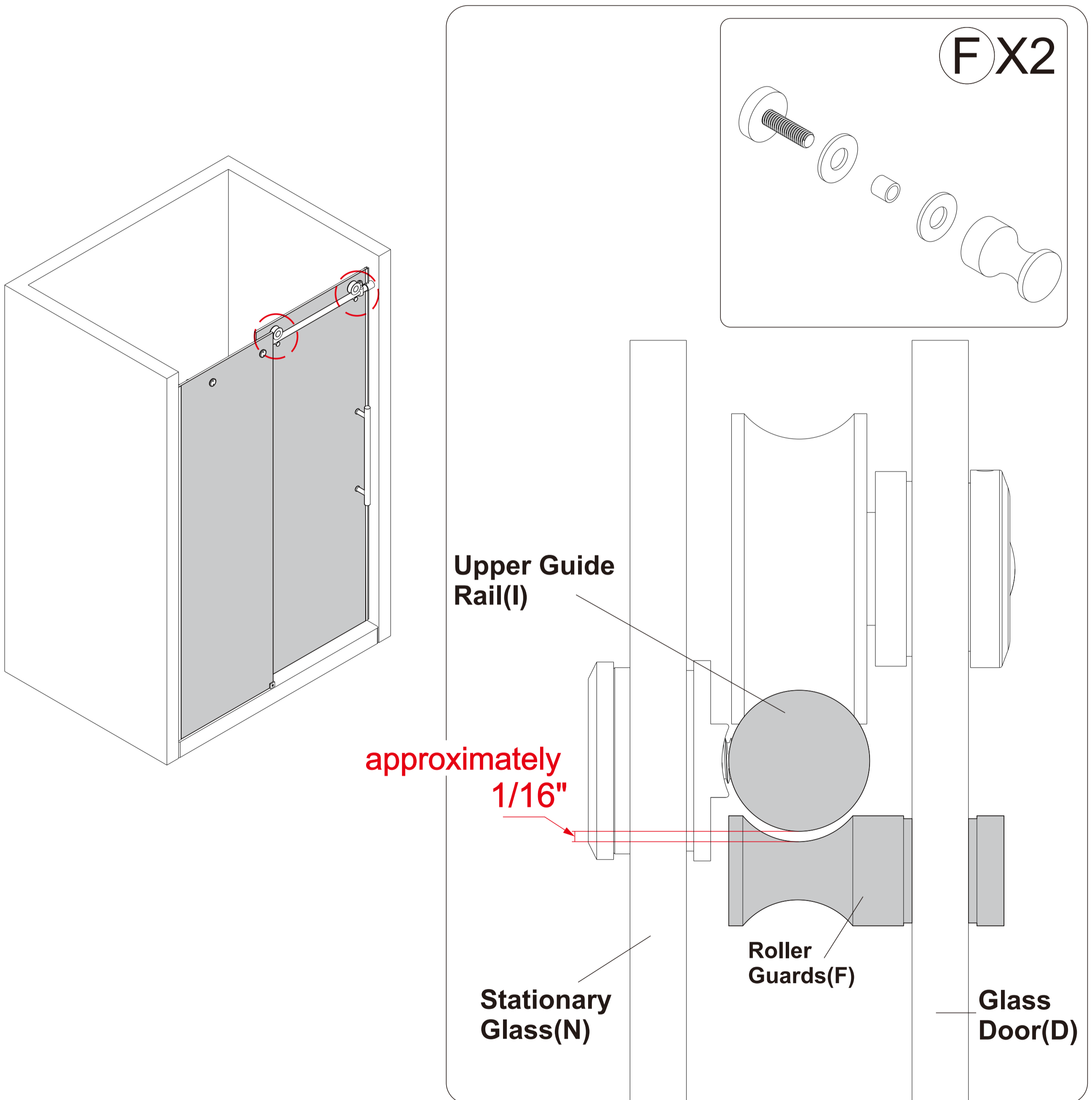
Adjust the **Rollers (G)** with a hex wrench so that the **Bumper Strip (C)** is flush with the wall as Fig.a & Fig.b and Fig.c .



## 19 Install the Roller Guards(F)

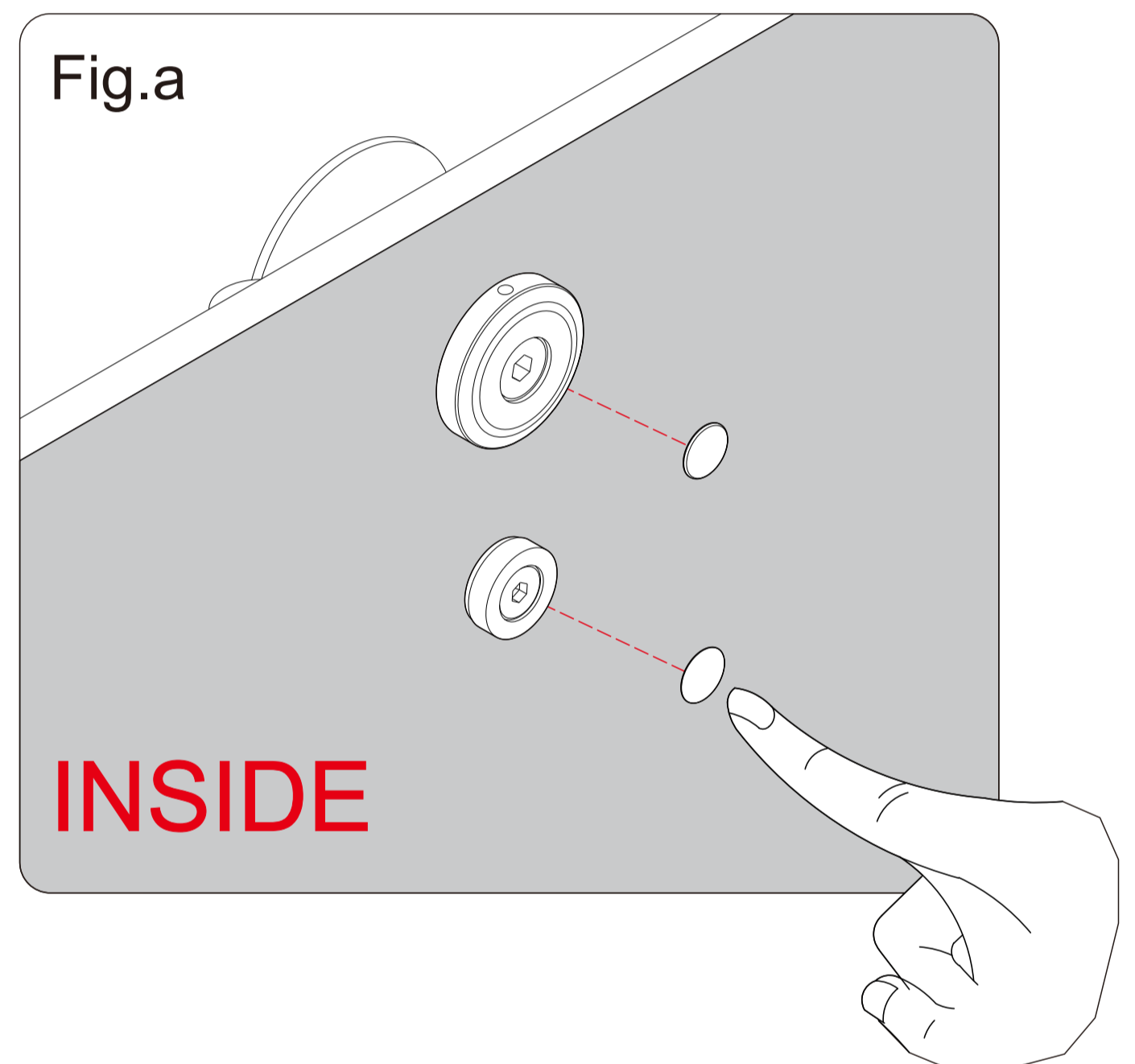
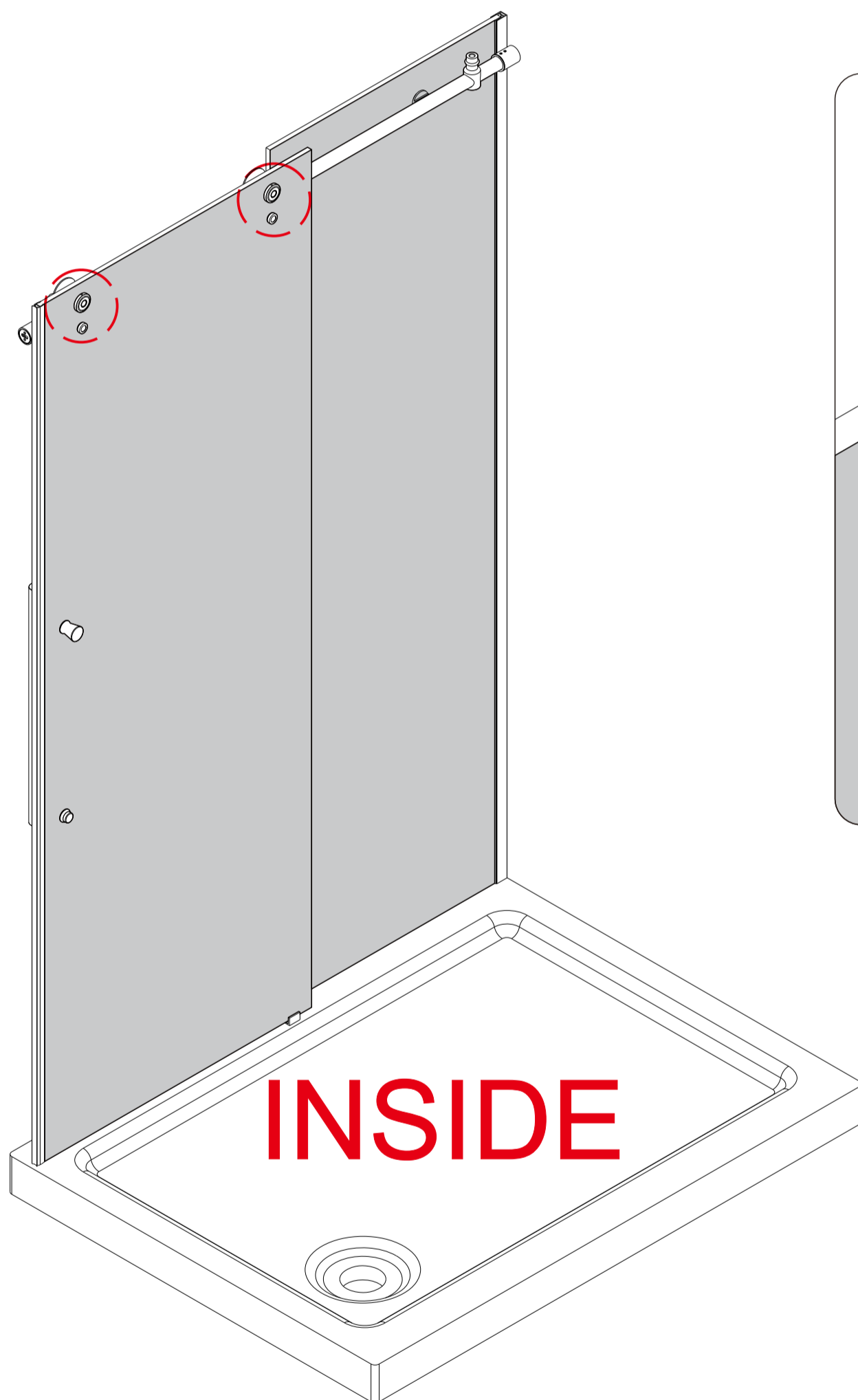
NOTE

1. Install the **Roller Guards(F)** on the **Glass Door (D)** to prevent the **Glass Door (D)** from falling off, and adjust the **Roller Guards(F)** to a position about 1/16" away from the **Upper Guide Rail(I)** .



## 20 Install the decorative cover

**NOTE** 1. Install the decorative cover of the **Rollers(G)** and the **Roller Guards(F)** decorative cover as Fig.a .

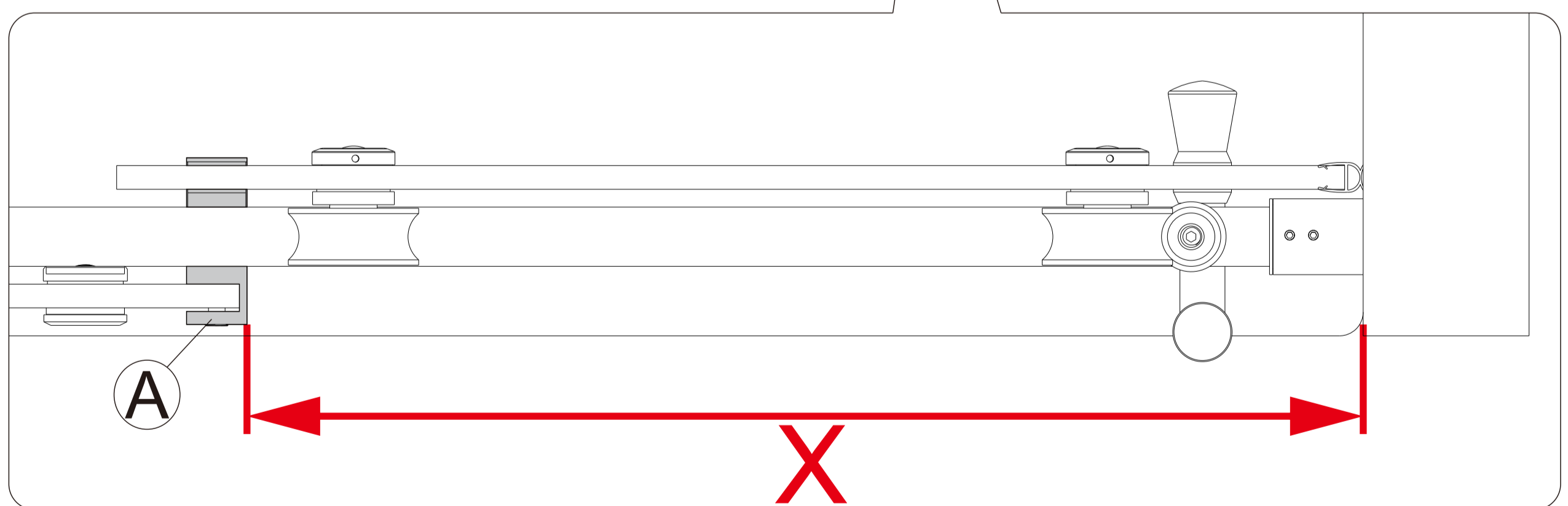
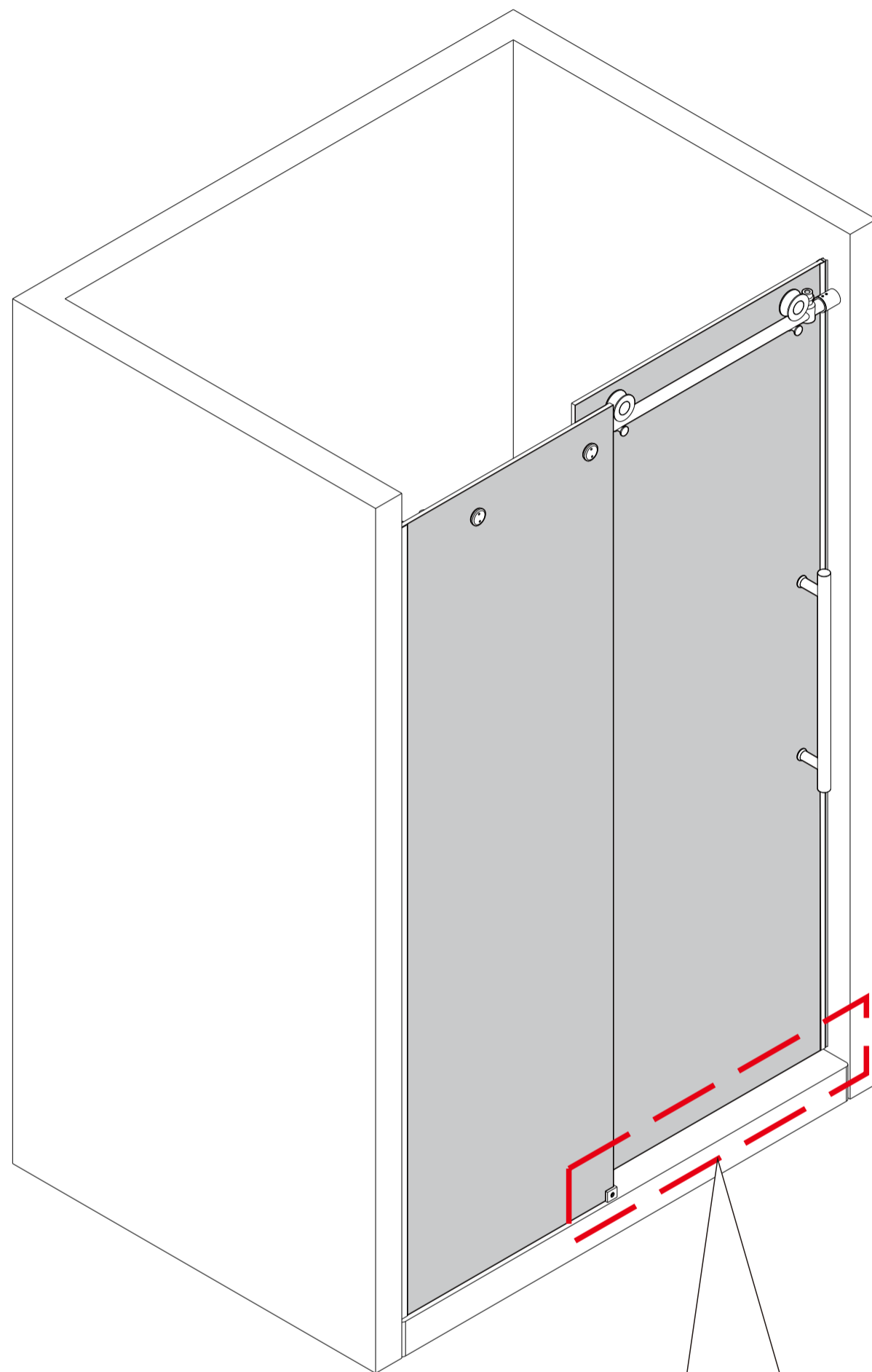


## 21<sub>-1</sub>

### Install the **Threshold(B)**

NOTE

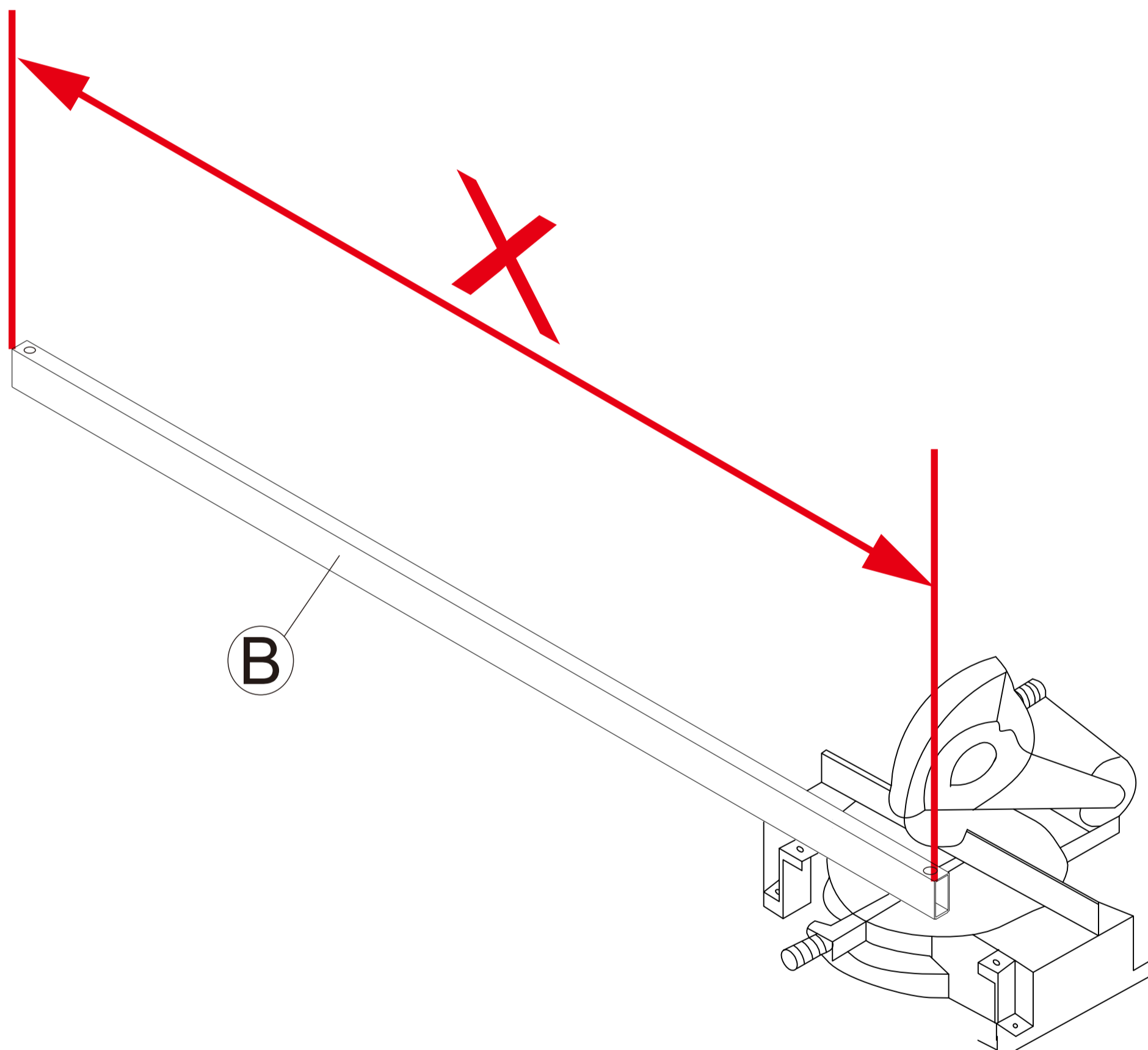
1. Measure the dimensions between the **Guide Block (A)** slot and the wall as Fig.a .



## 21<sub>-2</sub> Install the **Threshold(B)**

NOTE

1. Cut the **Threshold(B)** to the corresponding size.
2. Only one side is cut, and there is no problem if the size is too small to leave a hole

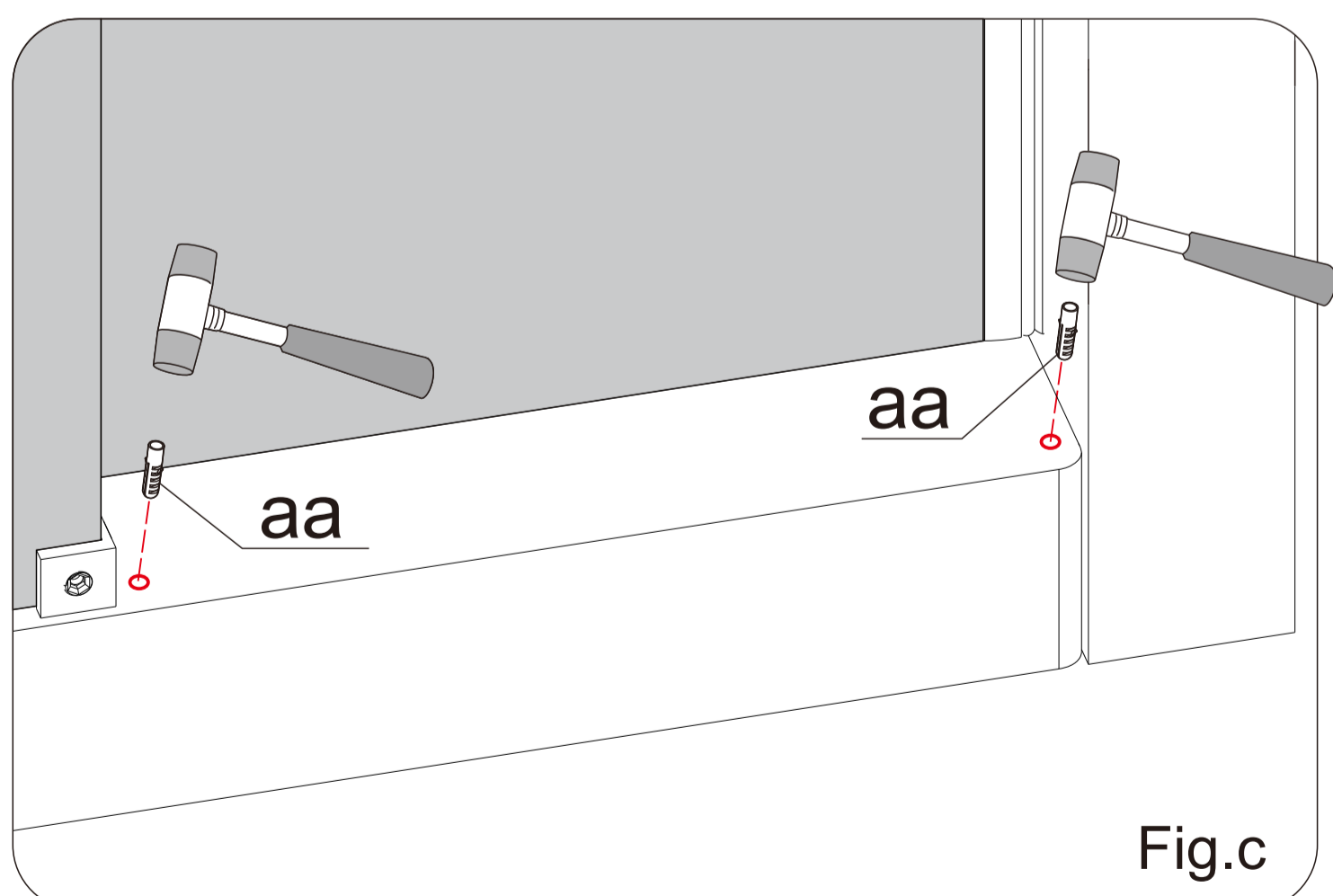
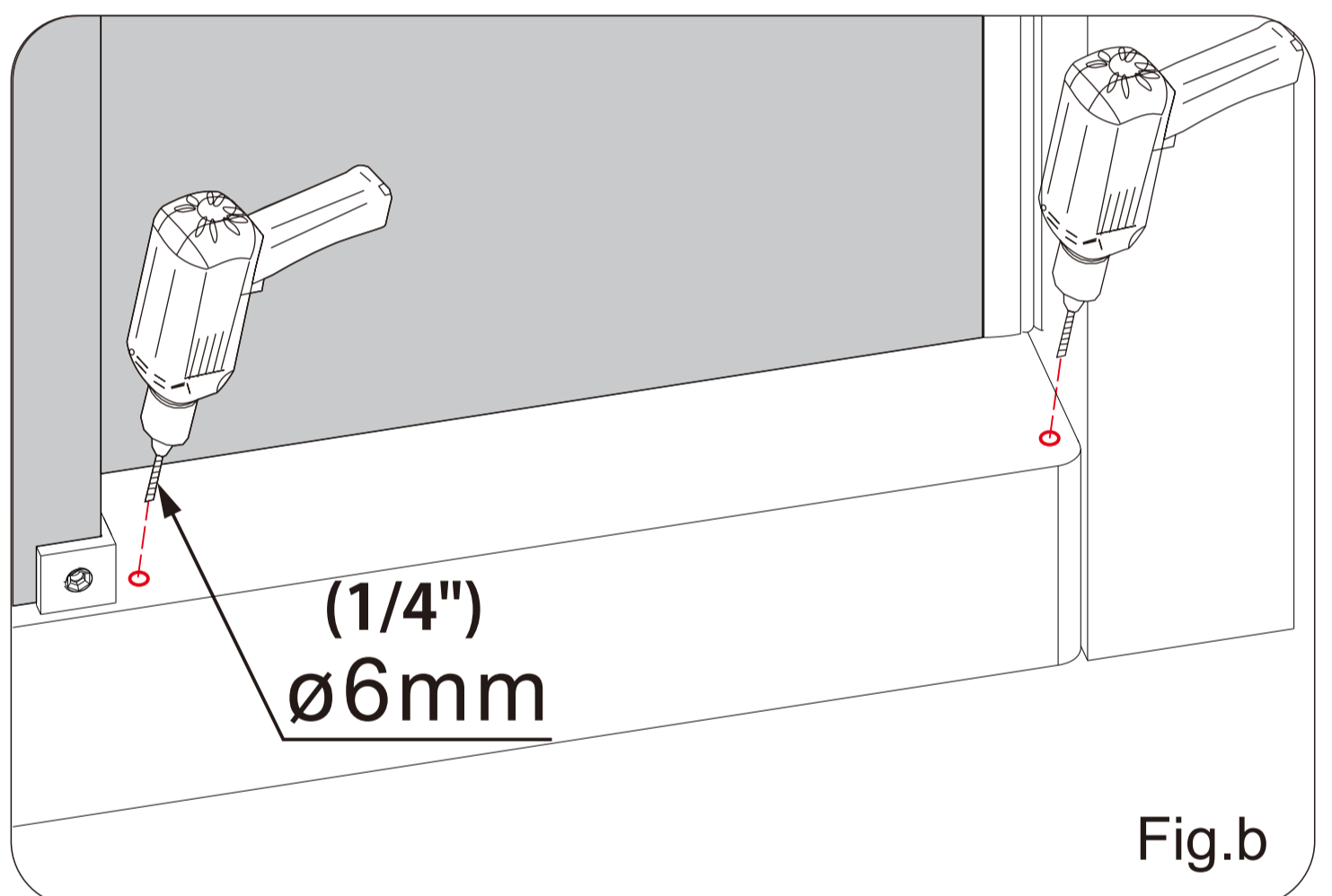
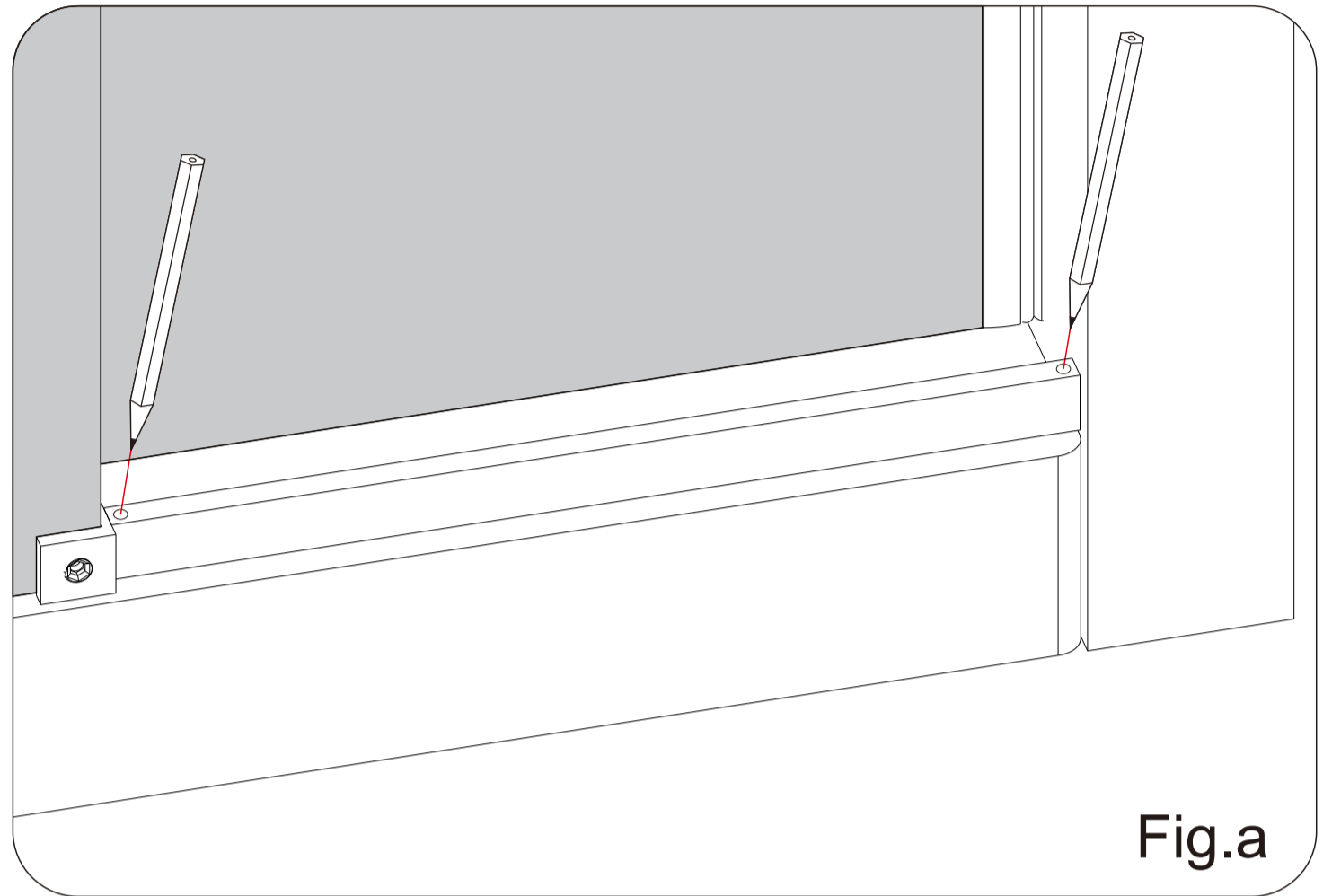
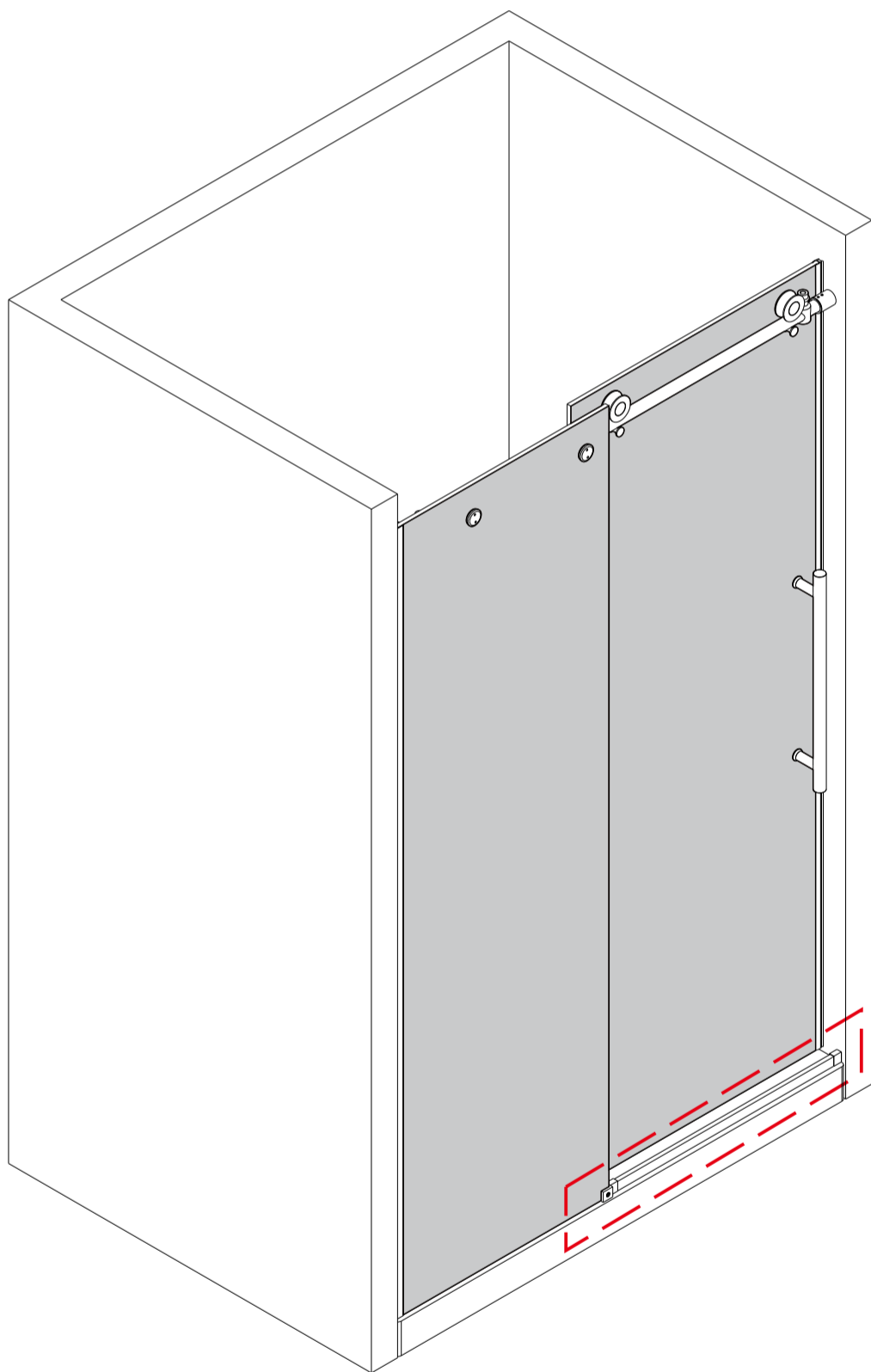


## 21<sub>-3</sub>

### Install Wall Anchor(aa)

NOTE

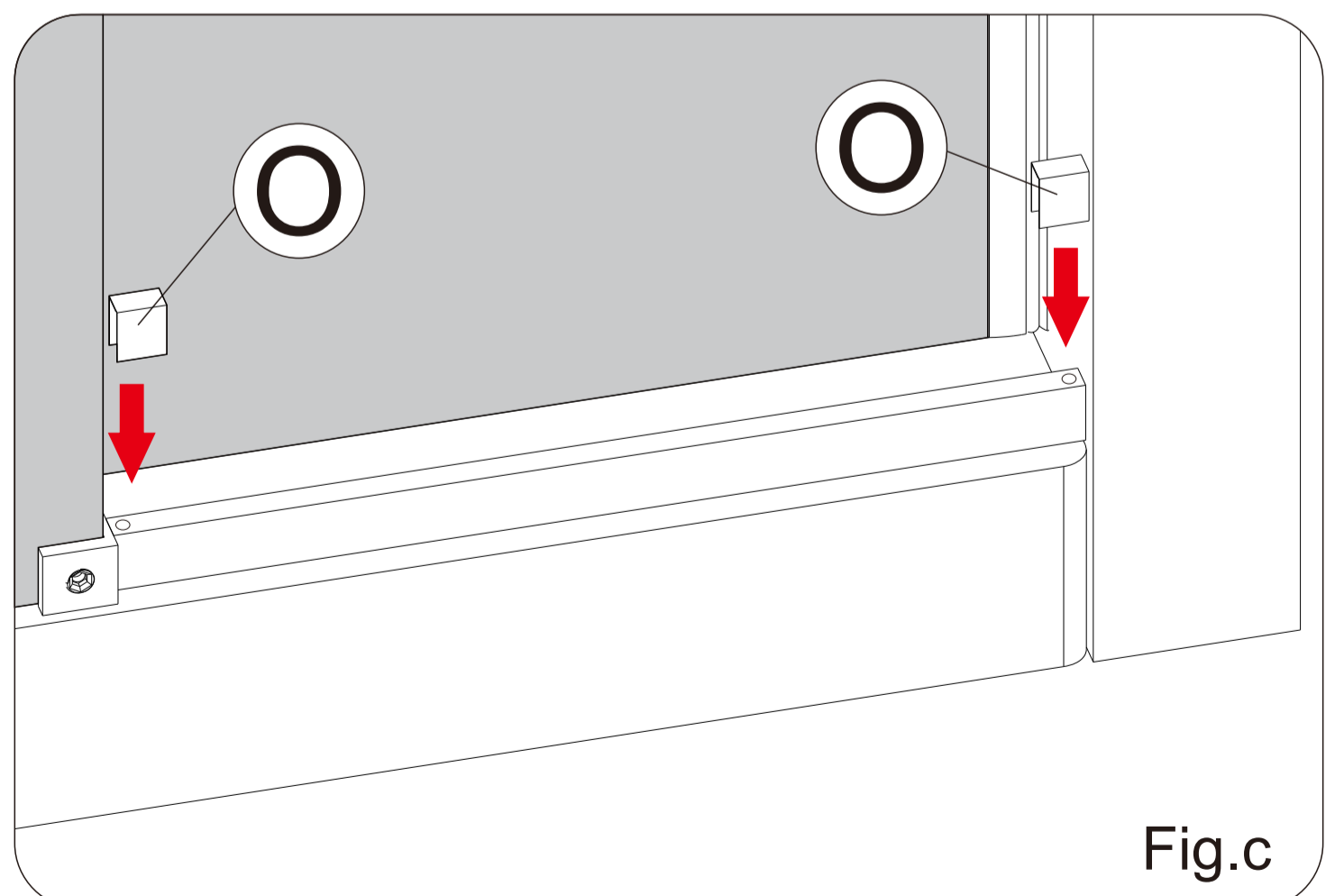
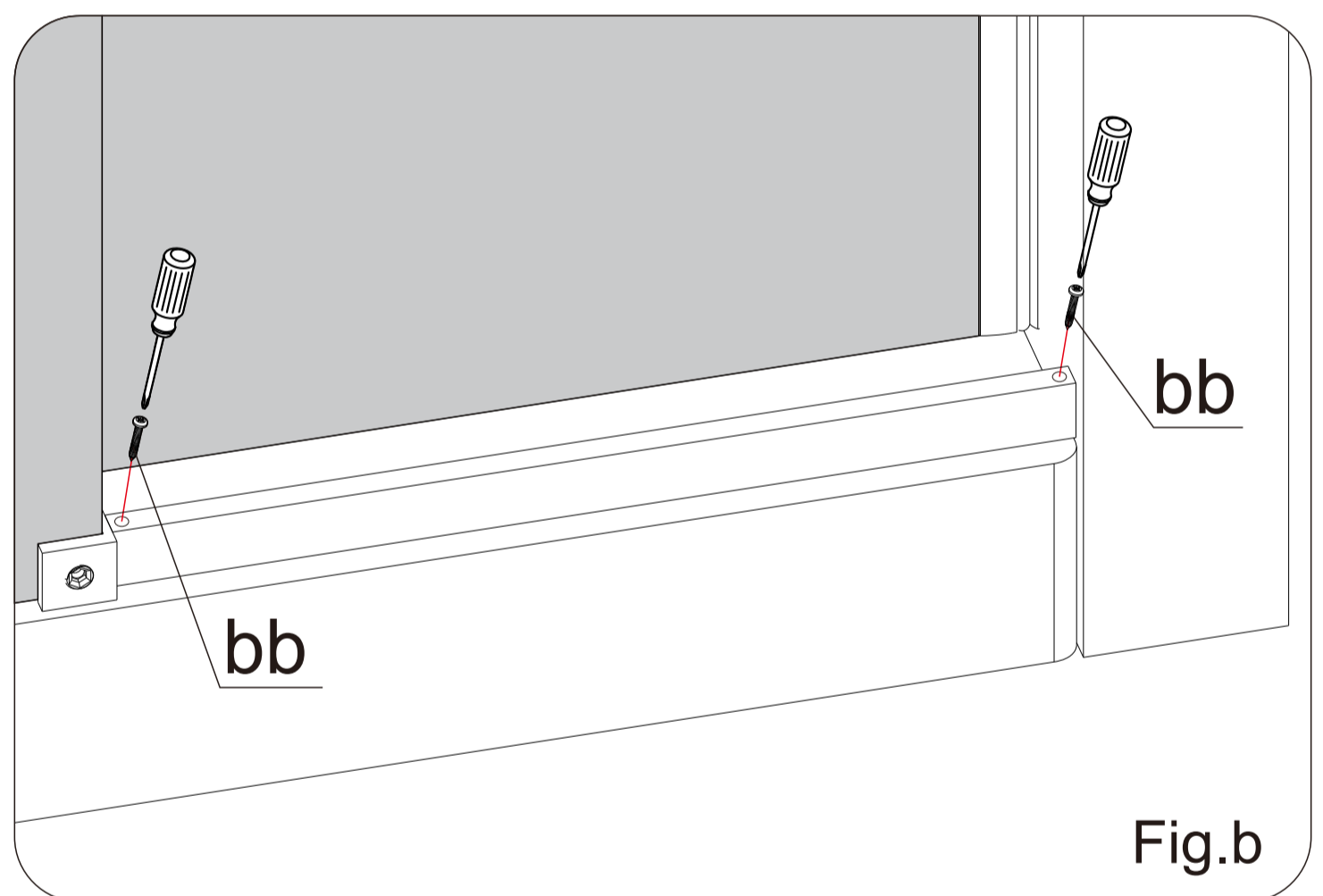
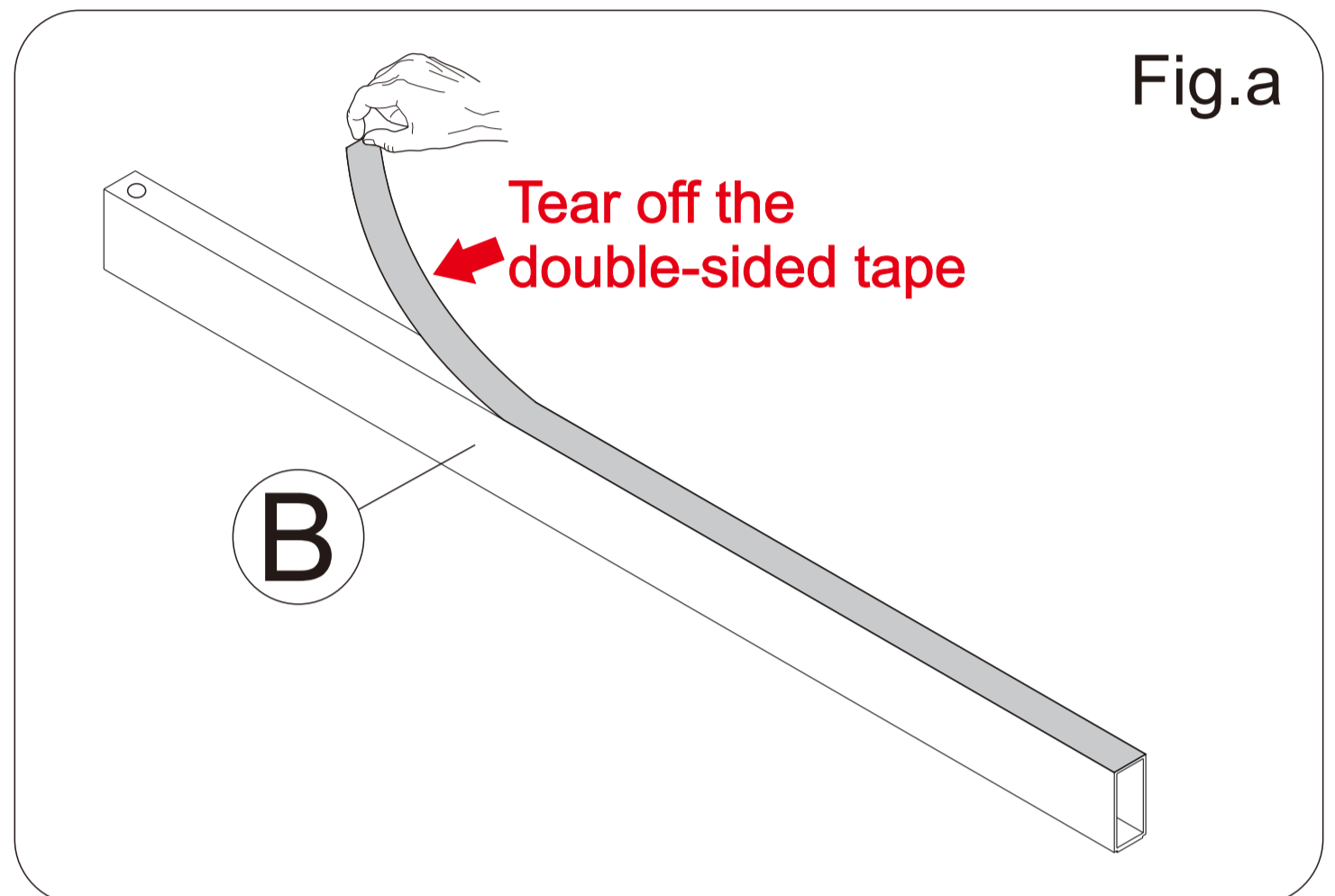
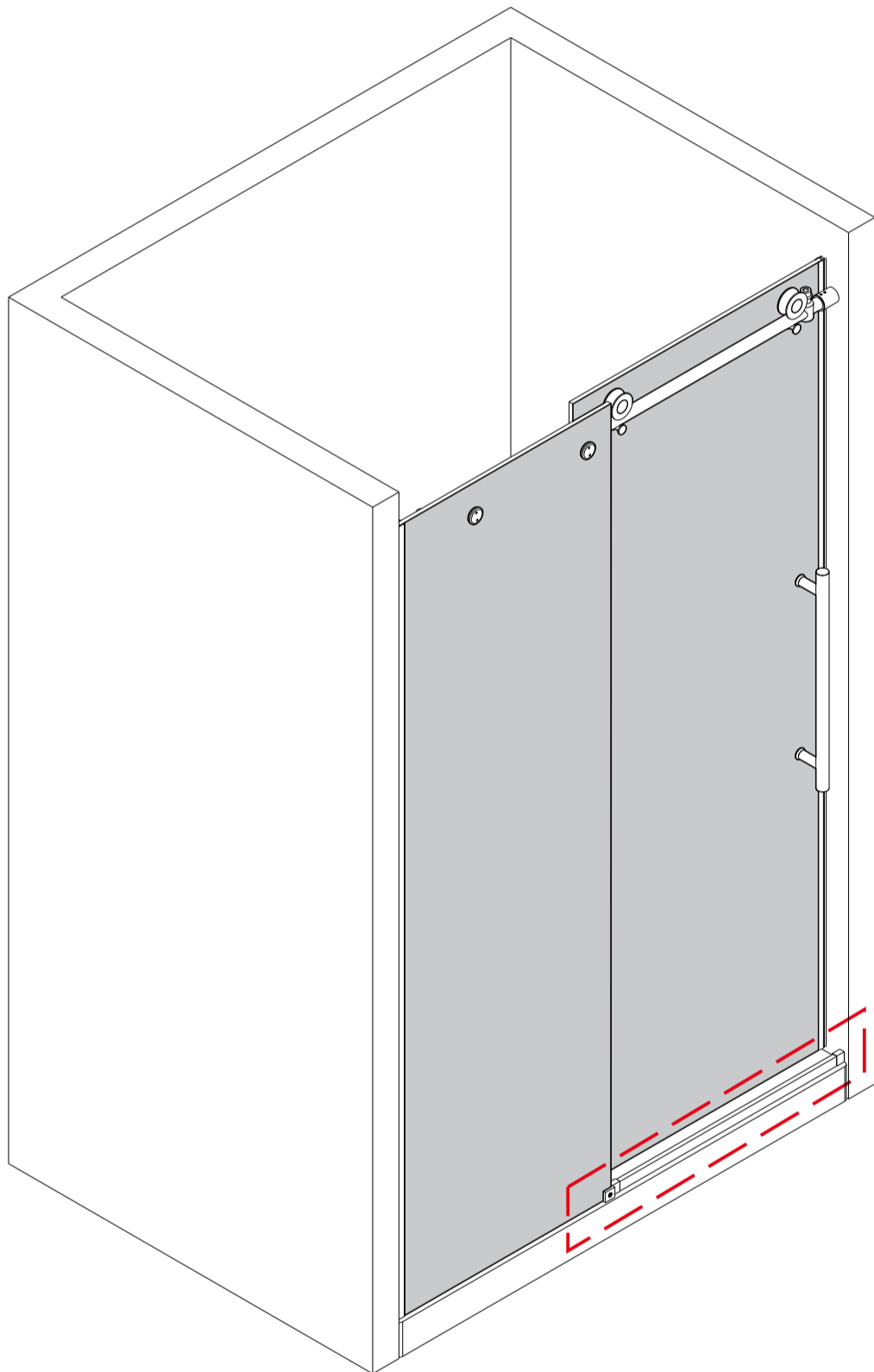
1. Mark the holes with a pencil as Fig.a .
2. Drill holes with  $\Phi 6\text{mm}$ (1/4") drill bit as Fig.b.
3. Insert the **Wall Anchors(aa)** as Fig.c.



## 21<sub>-4</sub> Install the Threshold(B)

NOTE

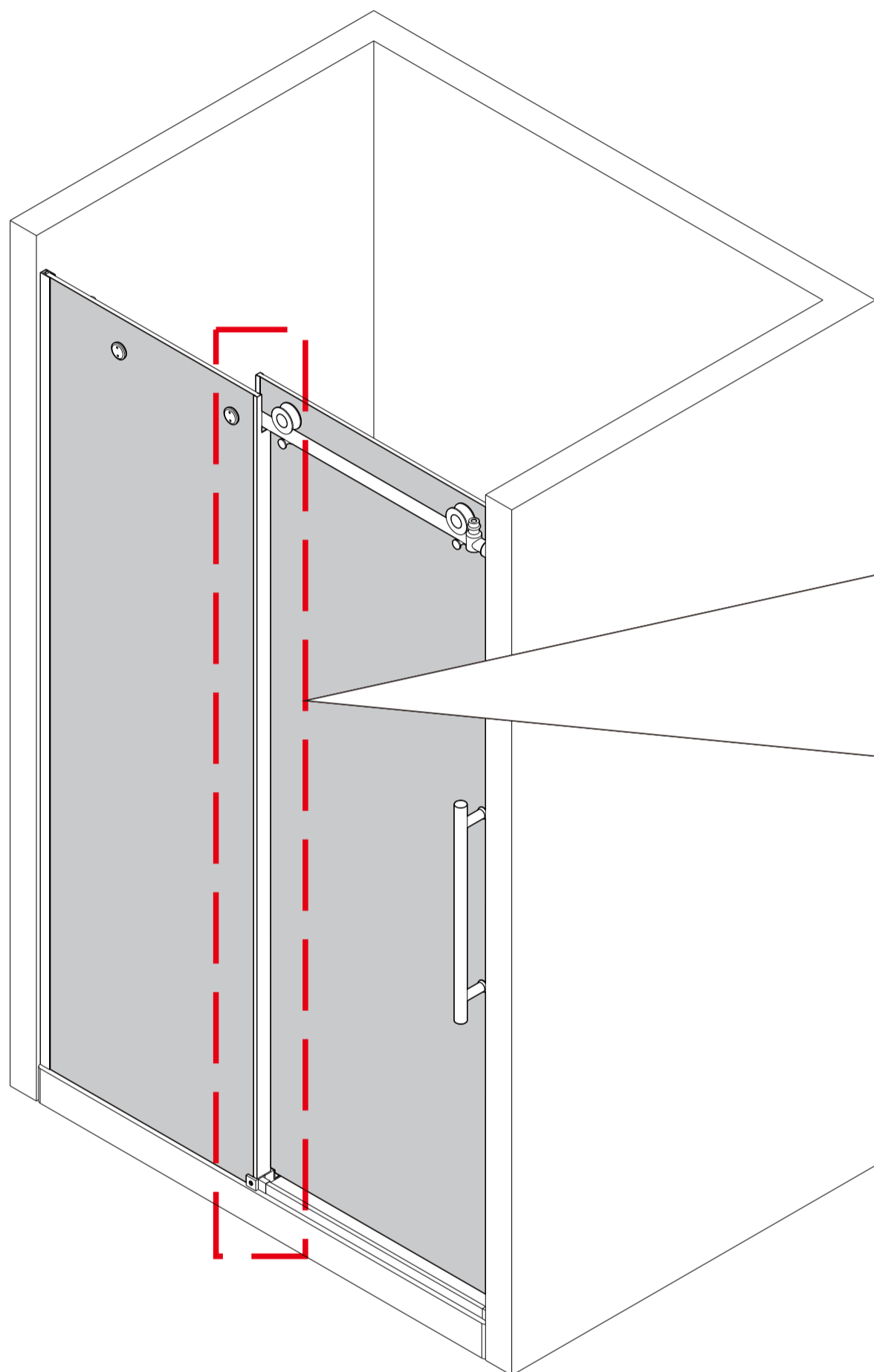
1. Tear off the double-sided tape on the **Threshold(B)** as Fig.a .
2. Fix the **Threshold(B)** with a **Screw (bb)** as Fig.b .
3. Installing the **Threshold(B)** and the **Threshold cover(O)** as Fig.b .



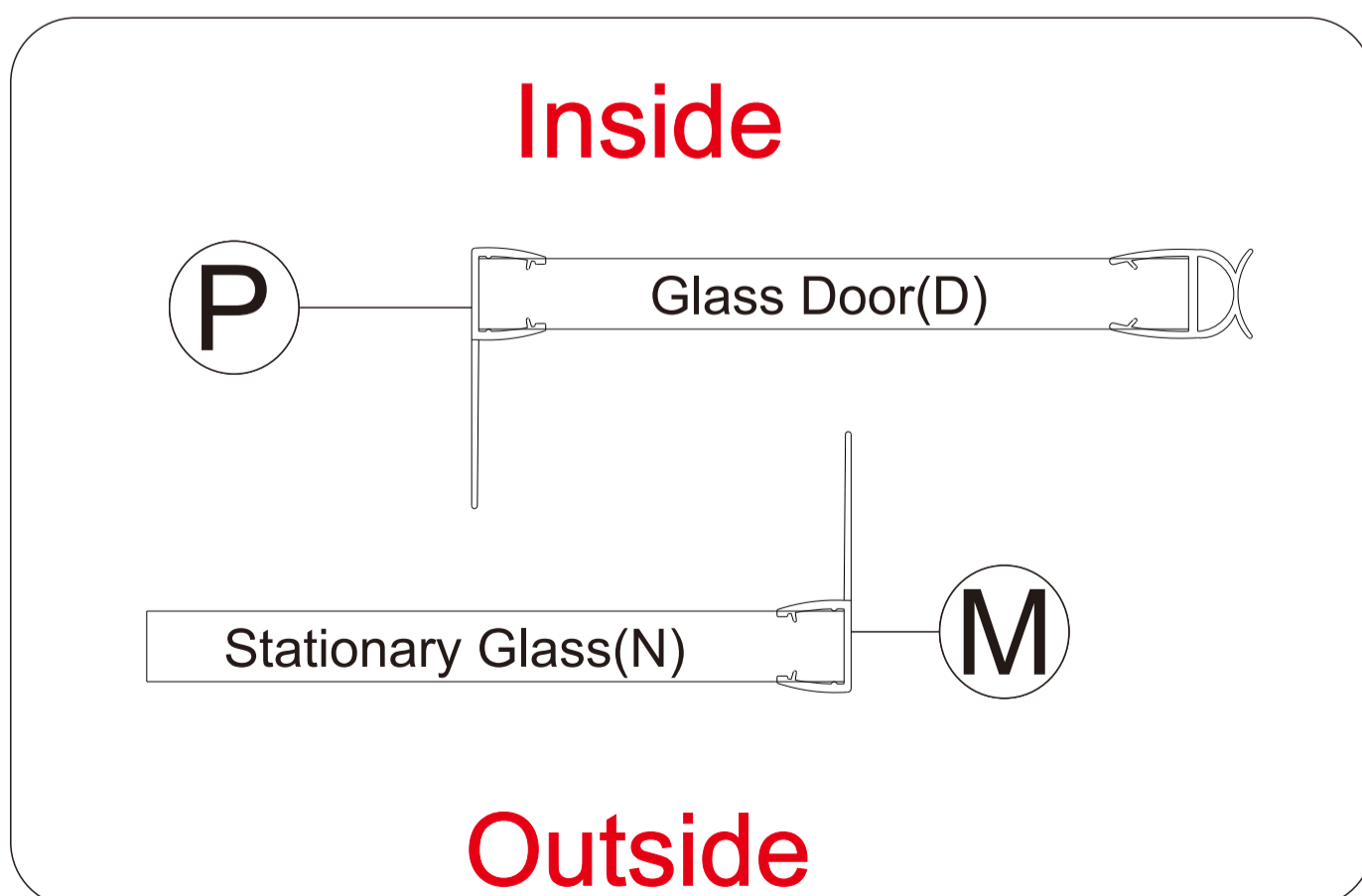
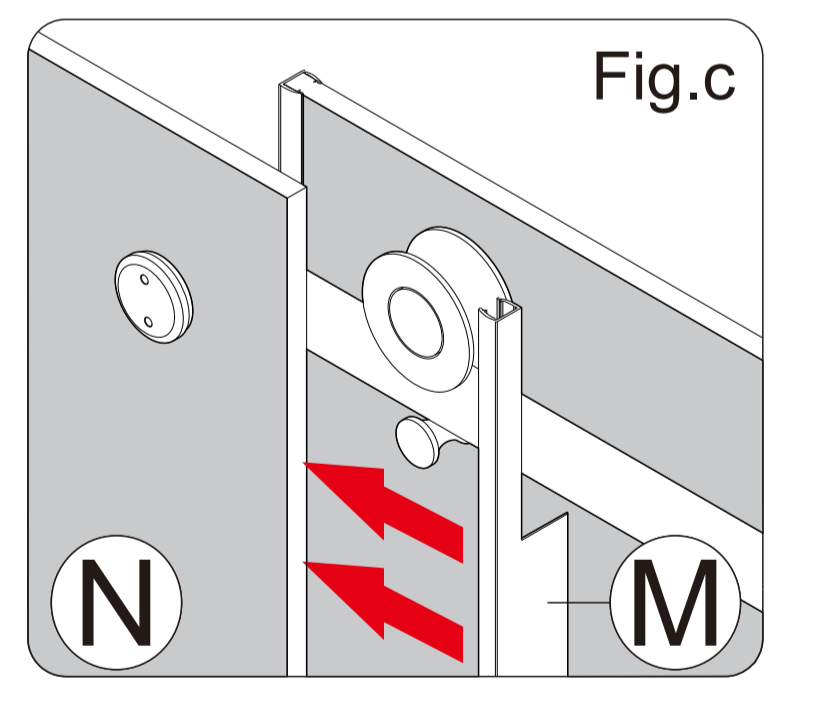
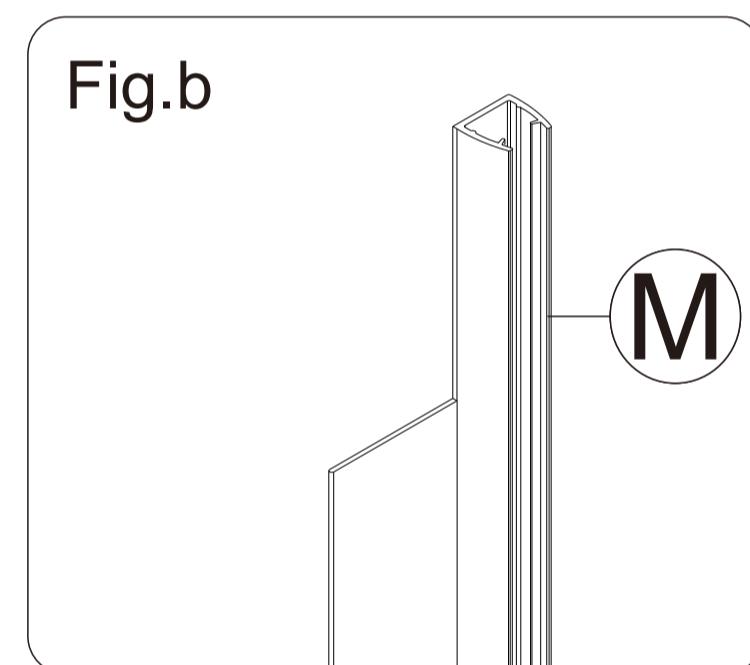
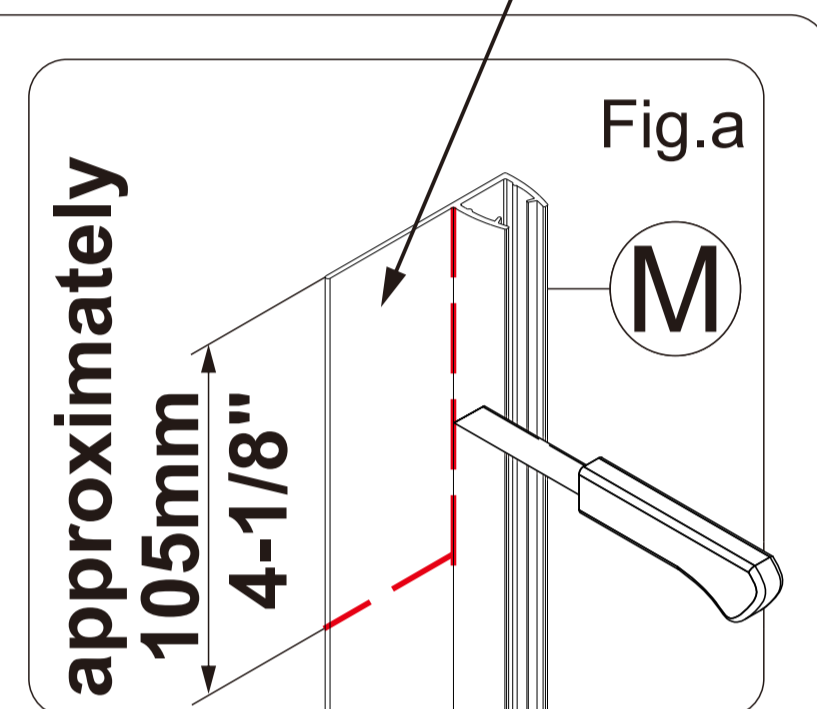
## 22 Install the Anti-Water Strips(M)

NOTE

1. According to the installation direction, cut the soft edge of the **Anti-Water Strips(M)** as Fig.a and Fig.b .
2. Install the **Anti-Water Strips(M)** on the **Stationary Glass(N)** as Fig.c .



Cut according to the mounting direction

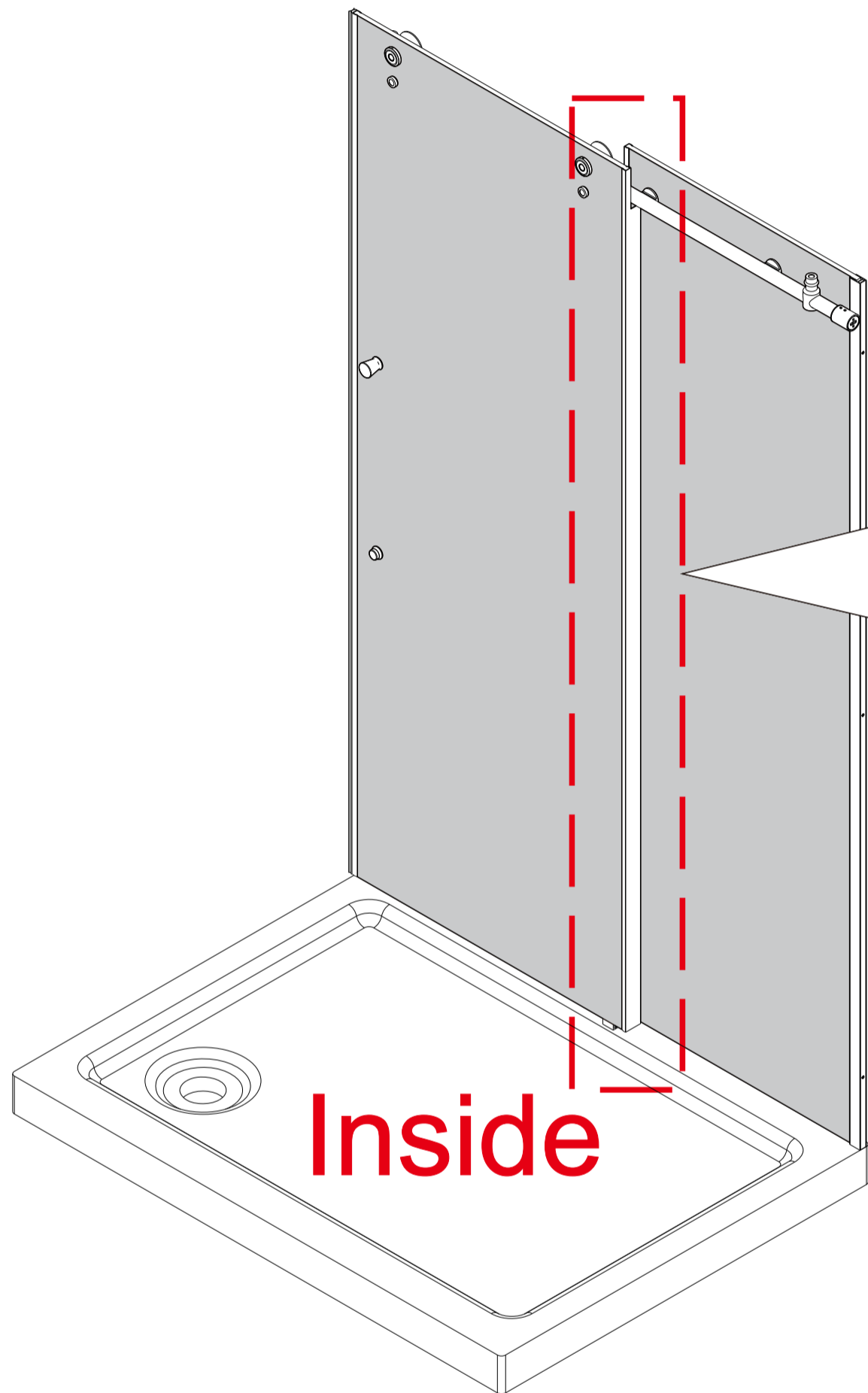


Note: The shower door can be installed left or right, according to the need to determine the installation direction.

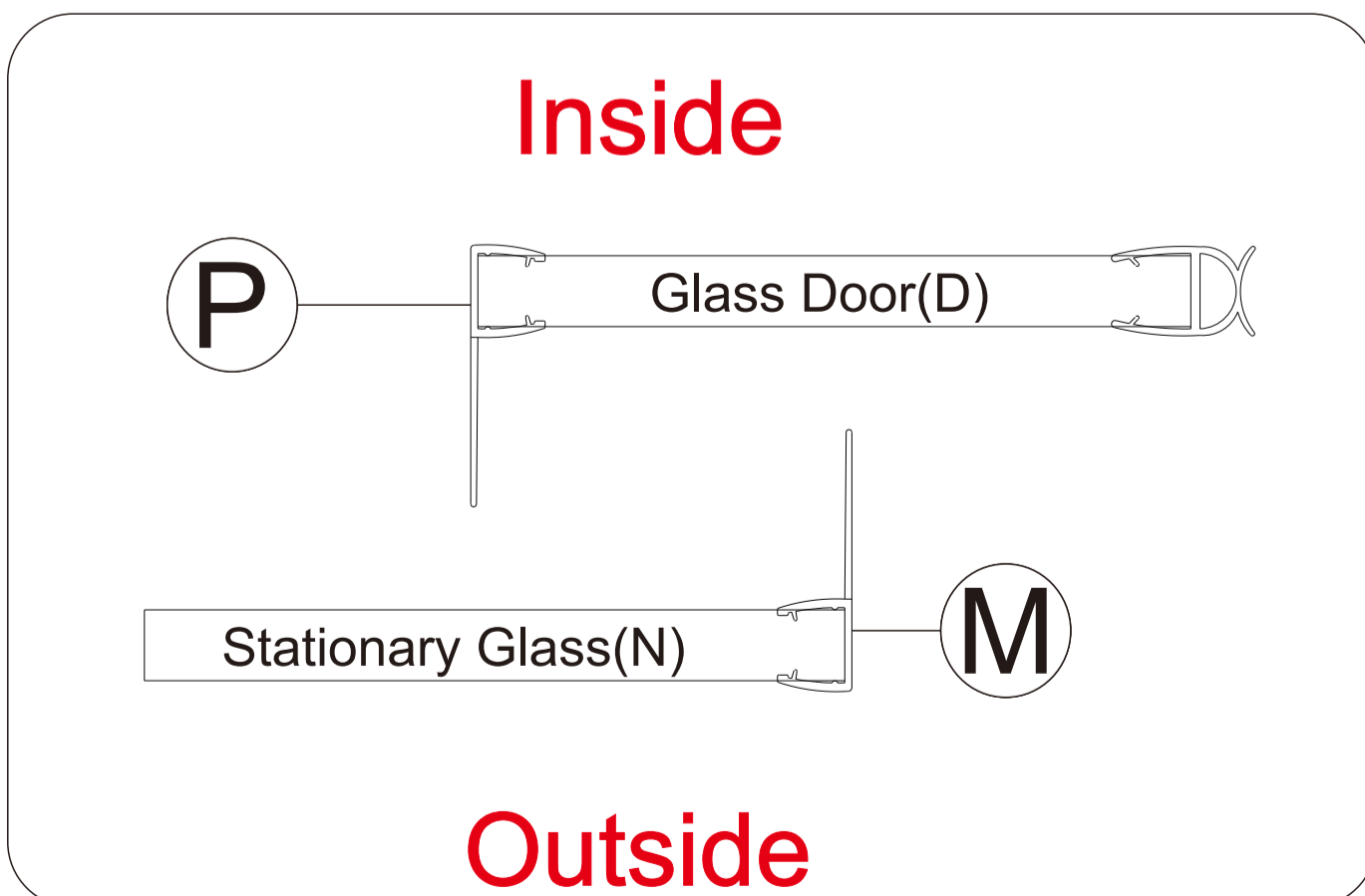
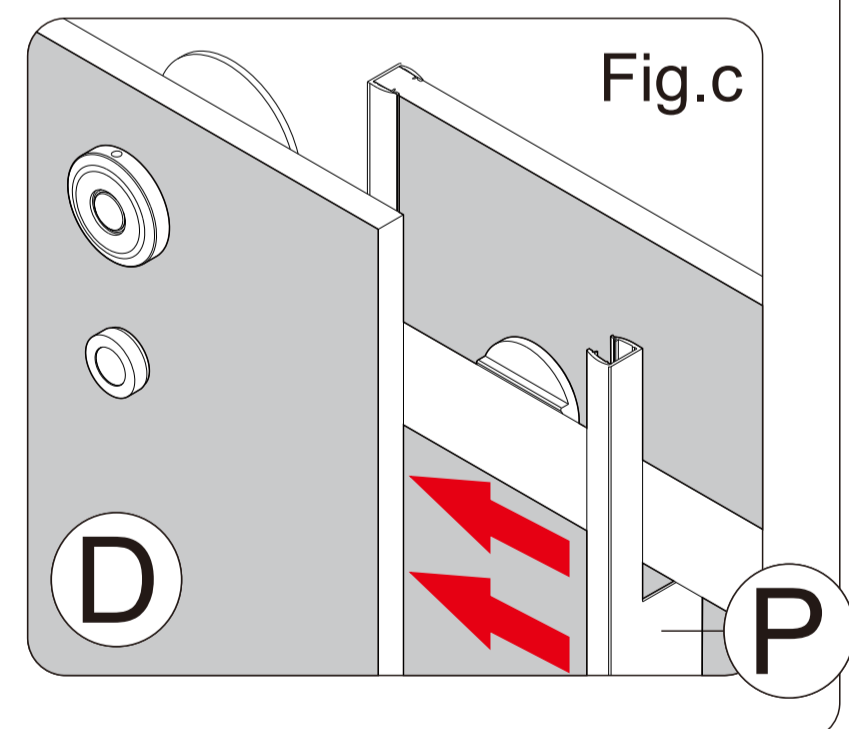
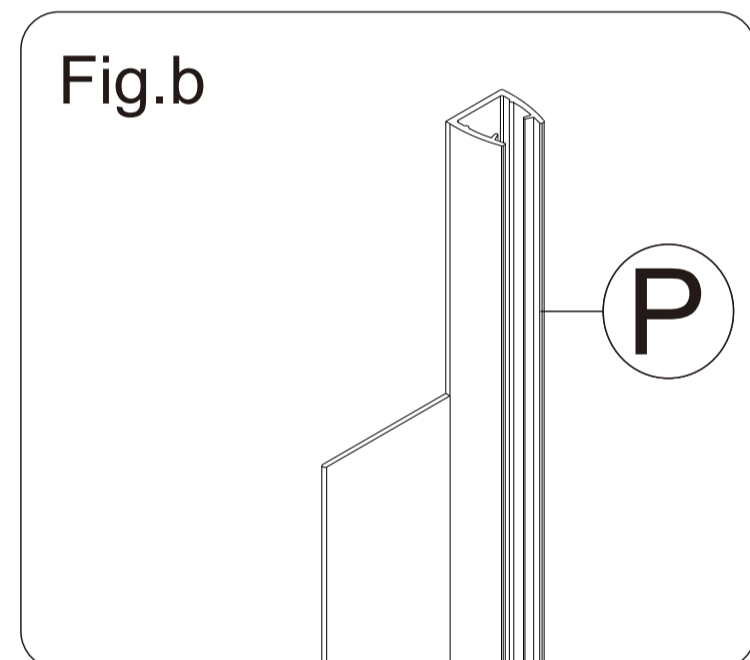
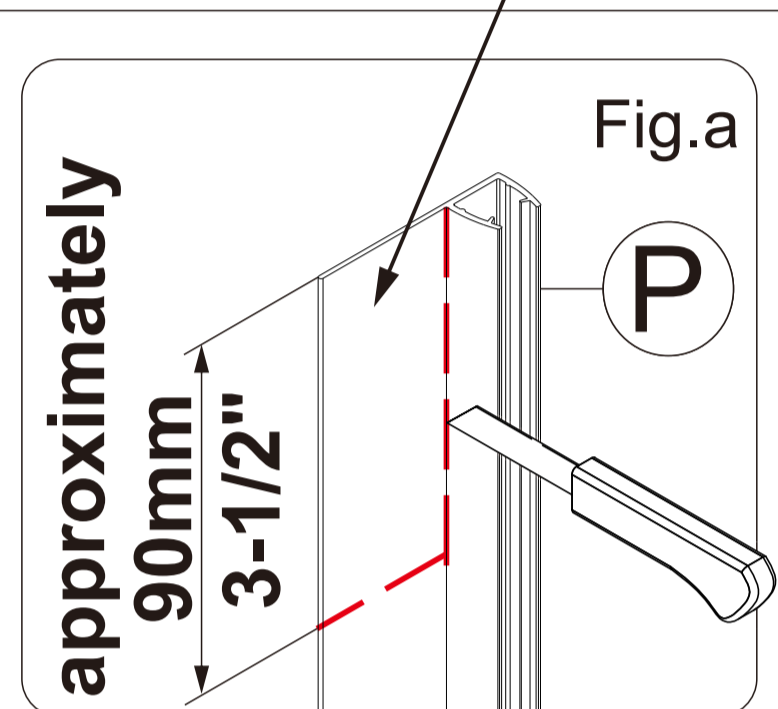
# 23 Install the **Anti-Water Strips(P)**

**NOTE**

1. According to the installation direction, cut the soft edge of the **Anti-Water Strips(P)** as Fig.a and Fig.b .
2. Install the **Anti-Water Strips(P)** on the **Glass Door(D)** as Fig.c .



Cut according to the mounting direction



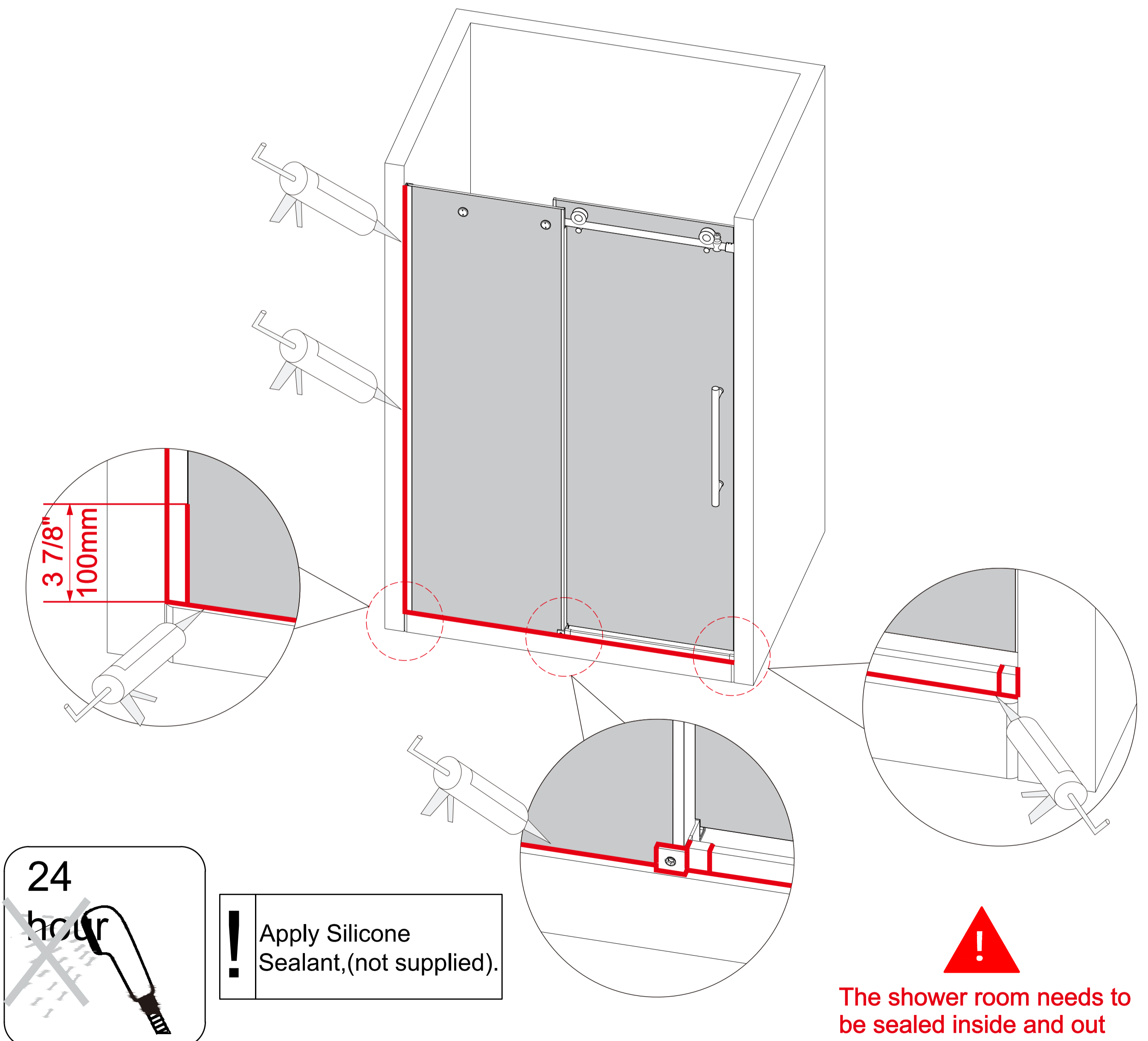
**Note:** The shower door can be installed left or right, according to the need to determine the installation direction.

## 24 SEALING

**NOTE** The surfaces need to be clean and free of debris before applying silicone.

**NOTE** Make sure that the Shower door closes tightly and opens smoothly. Apply a good quality silicone sealant along the **Wall Jamb(L)** and **Alu. Threshold(B)**.

**!** Allow 24 hours for the silicone to cure before using the shower.



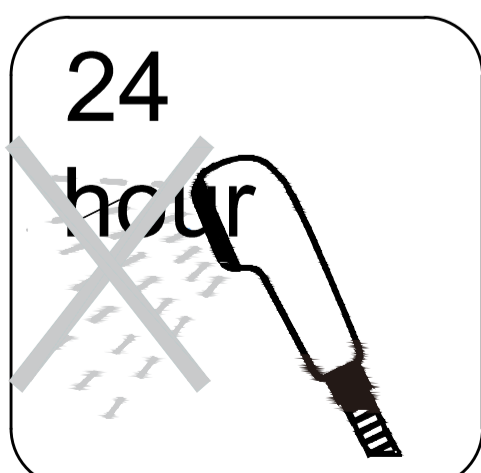
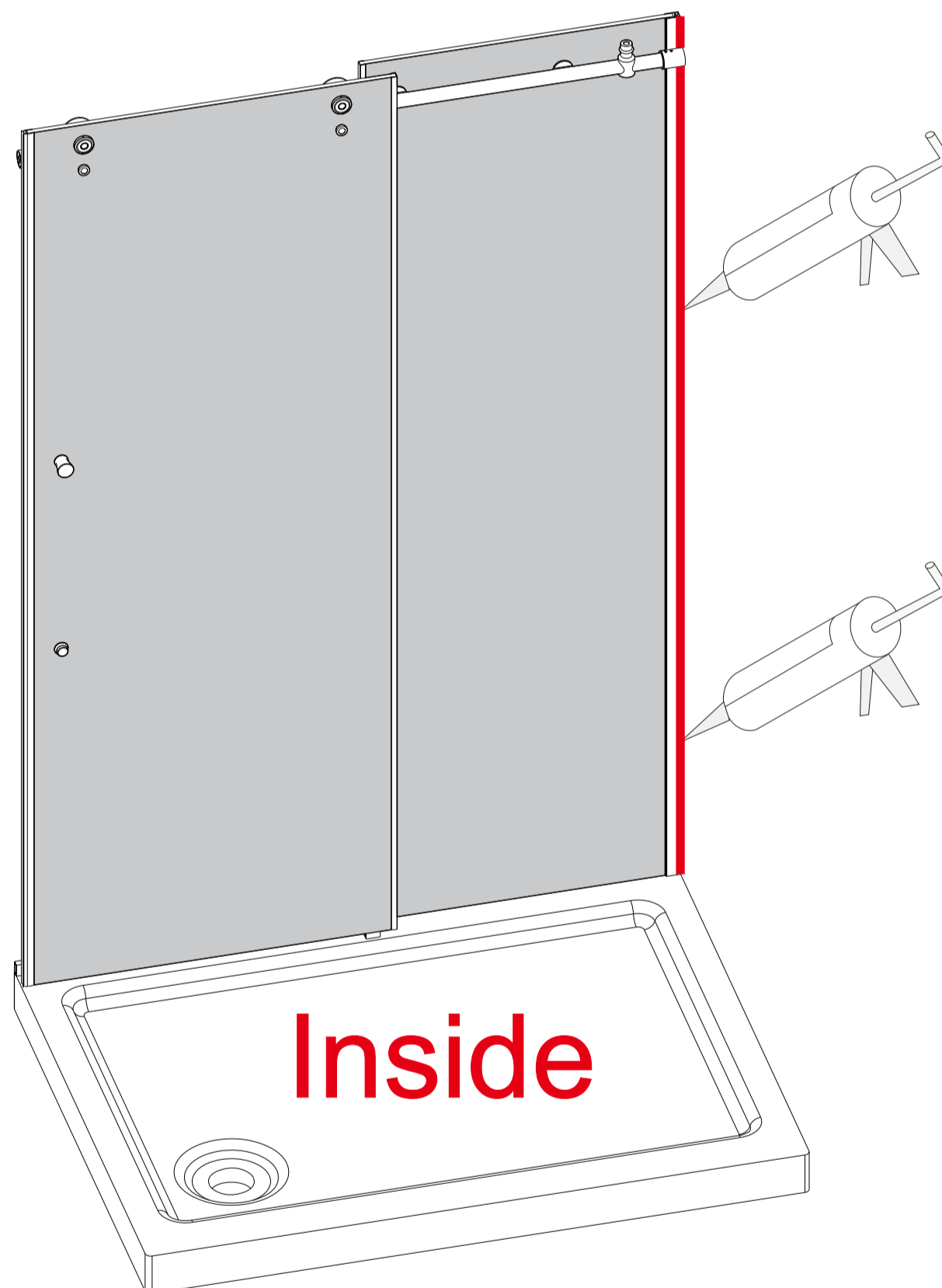
## 25 SEALING

**NOTE** The surfaces need to be clean and free of debris before applying silicone.

**NOTE** Make sure that the Shower door closes tightly and opens smoothly. Apply a good quality silicone sealant along the **Wall Jamb(L)**



Allow 24 hours for the silicone to cure before using the shower.



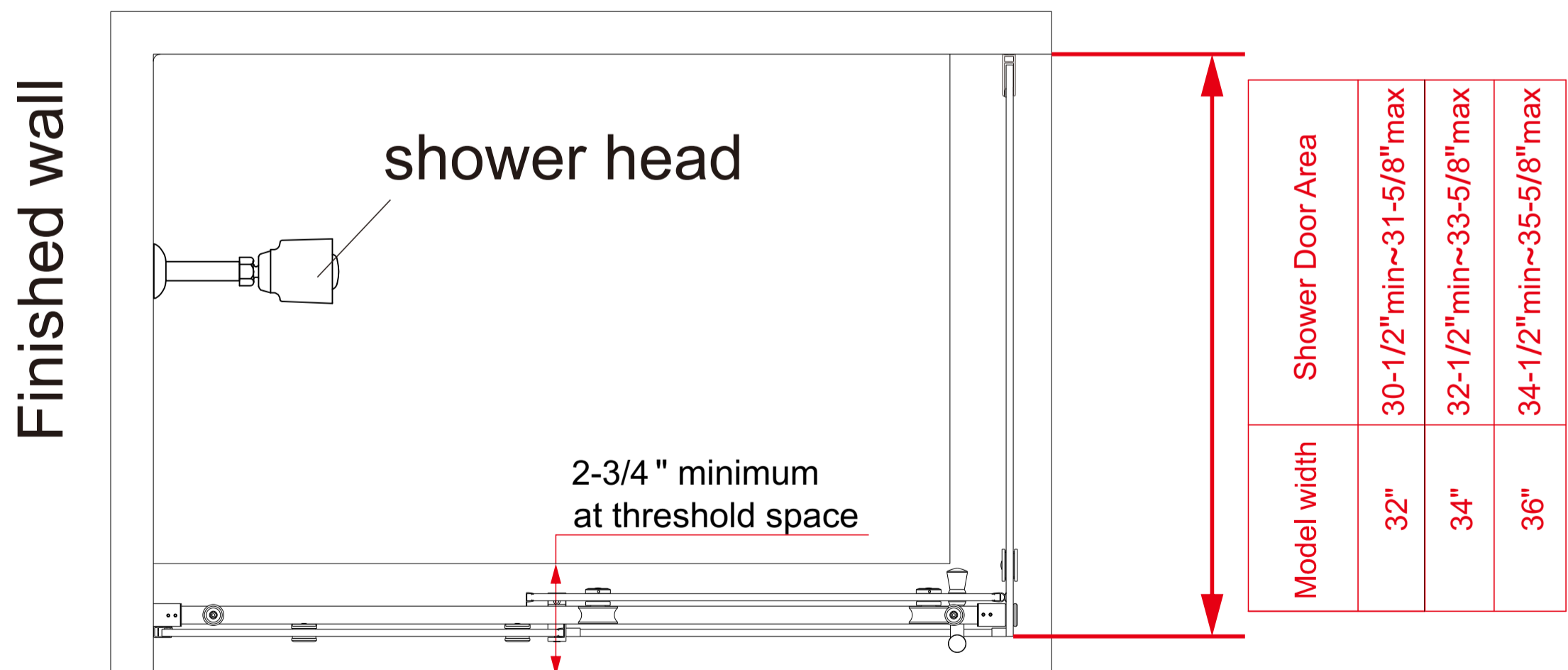
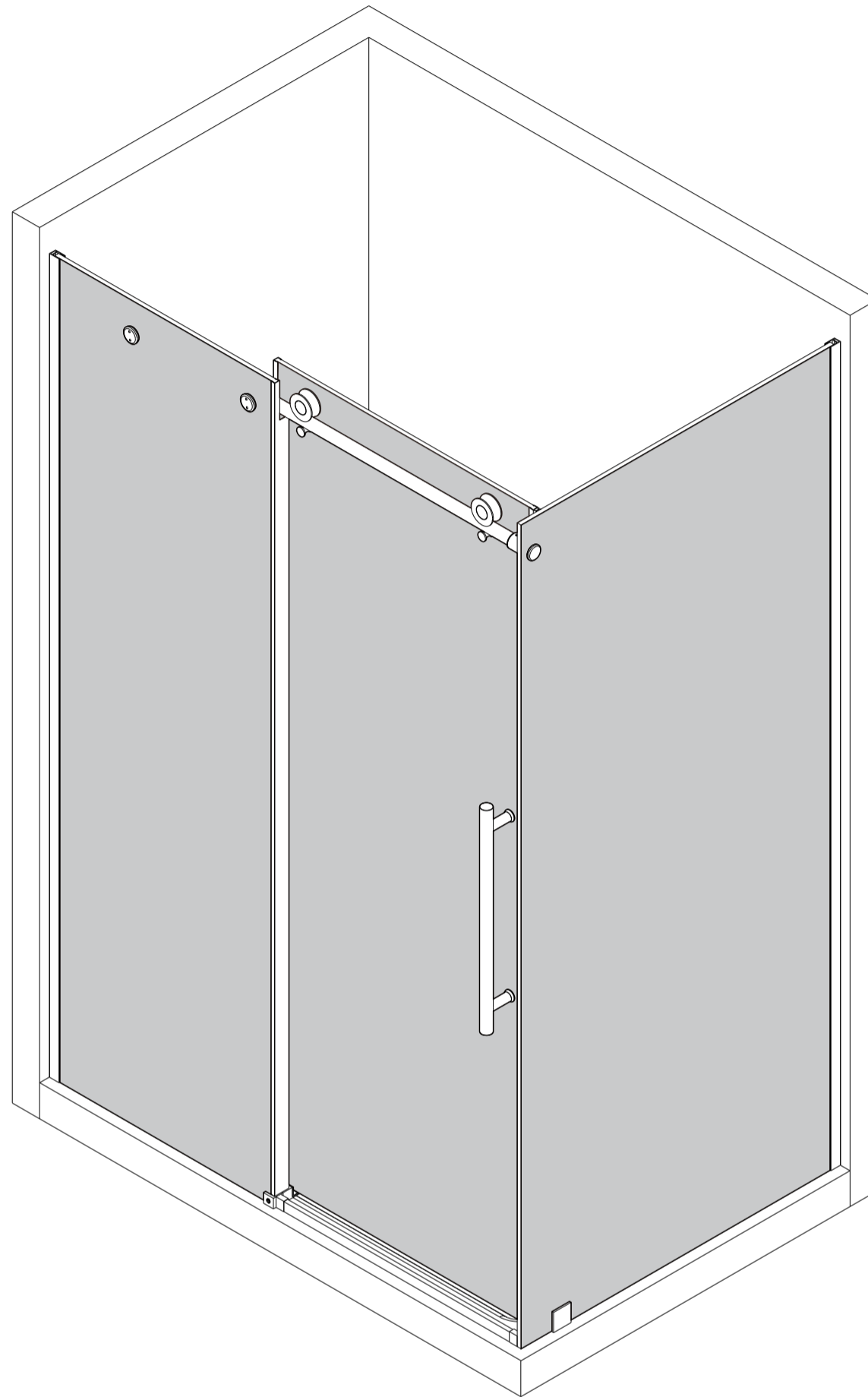
**!** Apply Silicone Sealant,(not supplied).



The shower room needs to be sealed inside and out

Serial Number: SDB04-22

# Shower Door Installation Instructions



## Model Specific Preparation



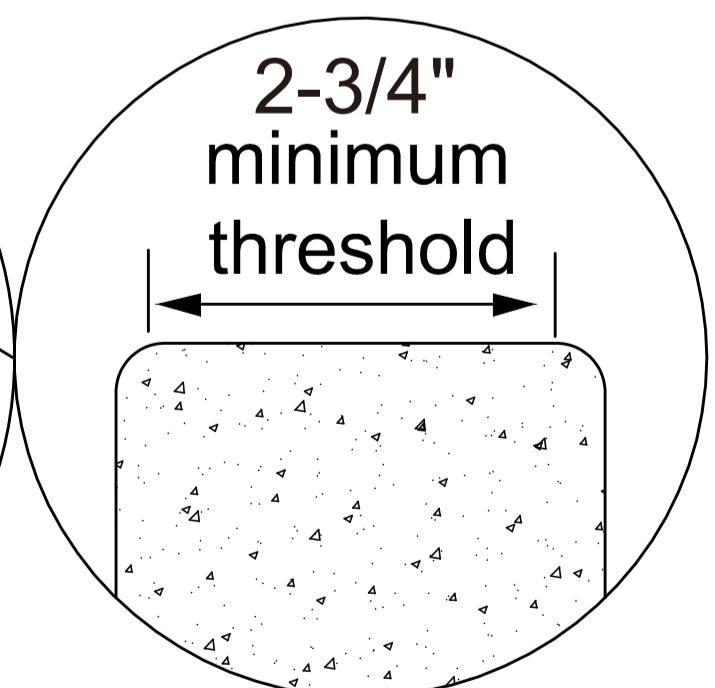
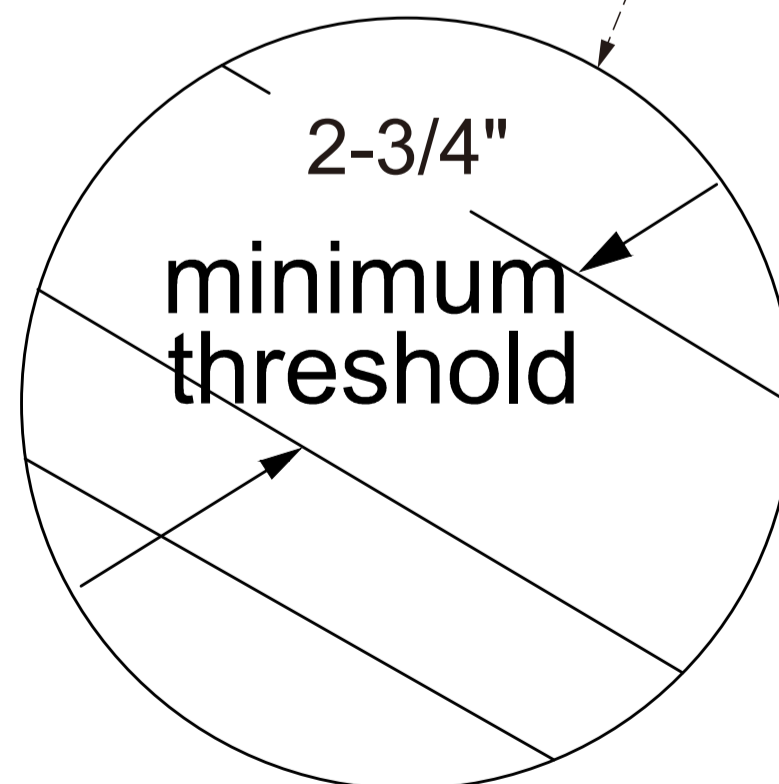
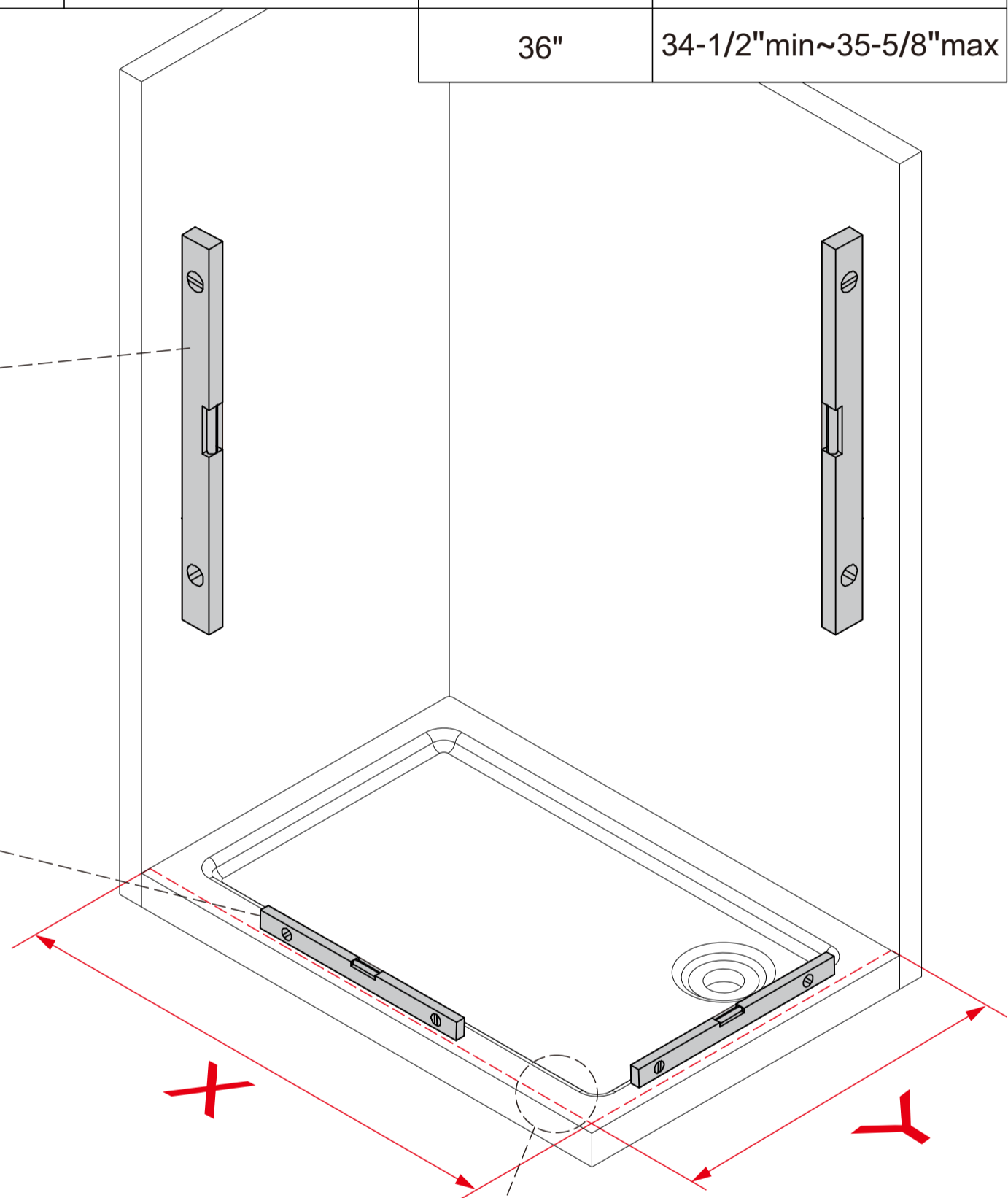
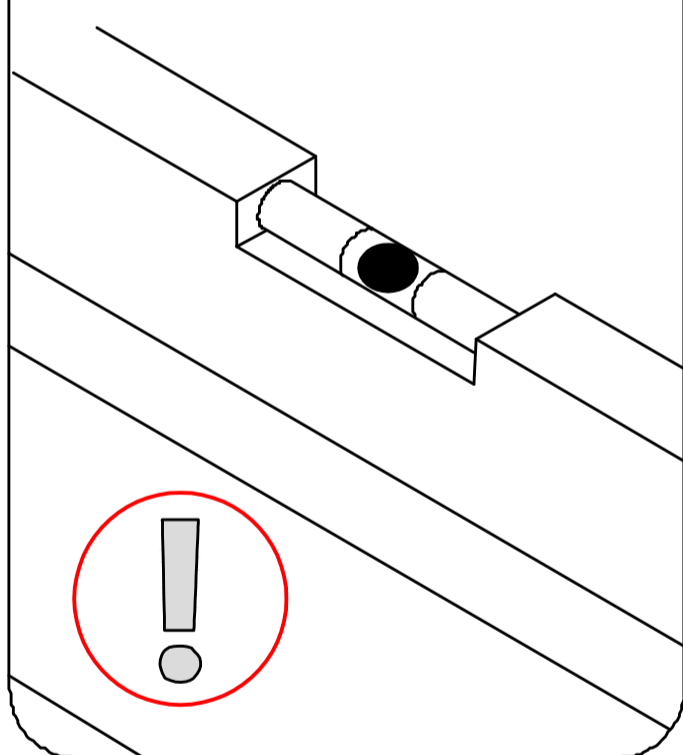
**REQUIRED:**

| Model width(X) | Shower Door Area(X)   | Model width(Y) | Shower Door Area(Y)   |
|----------------|-----------------------|----------------|-----------------------|
| 48"            | 43-3/4"min~47-3/4"max | 32"            | 30-1/2"min~31-5/8"max |
| 60"            | 55-3/4"min~59-3/4"max | 34"            | 32-1/2"min~33-5/8"max |
|                |                       | 36"            | 34-1/2"min~35-5/8"max |

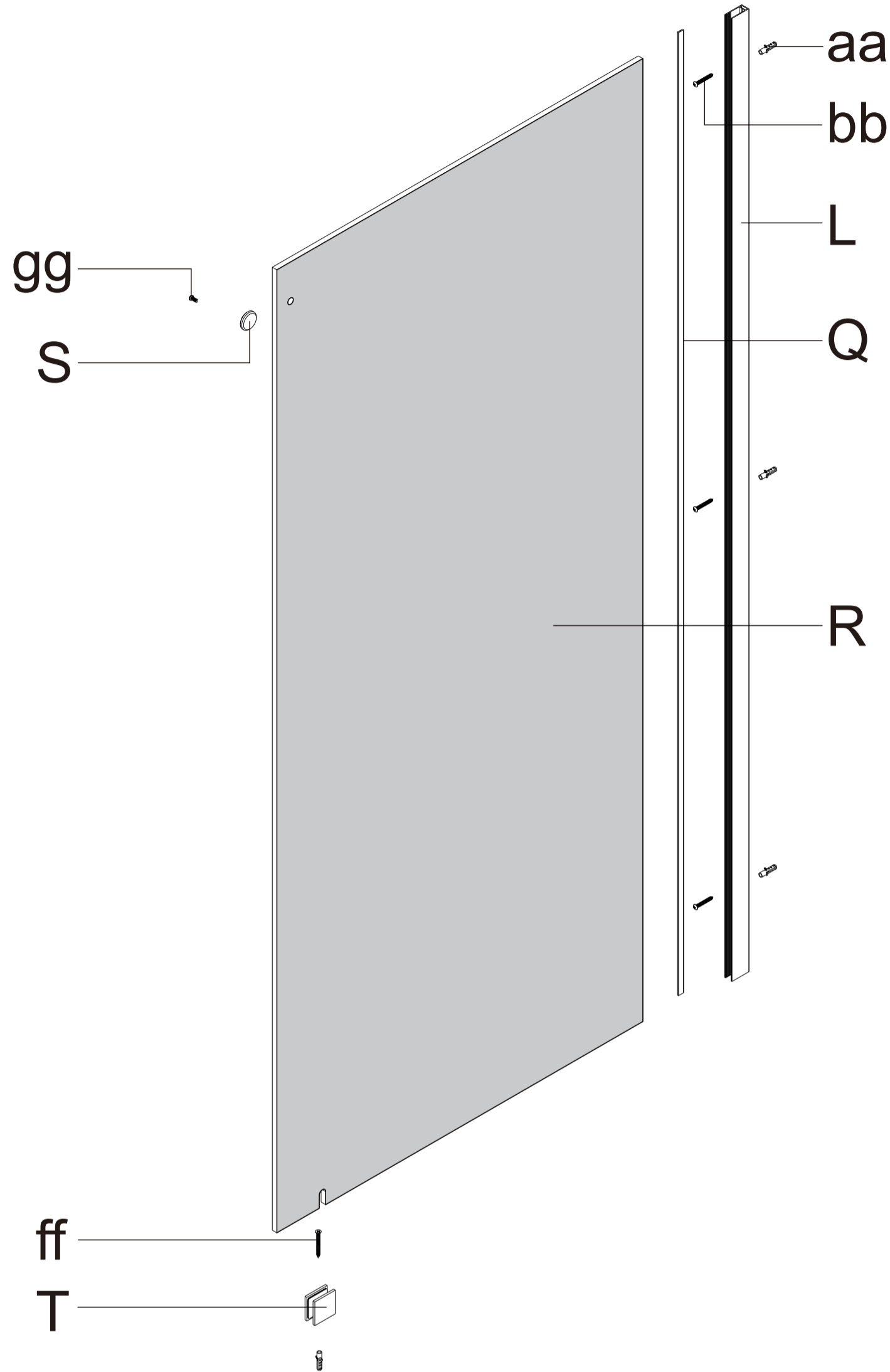
Verify tub deck and walls with a level.

1/4" ( 6mm )  
Out-of-Plumb  
Adjustment within  
the Wall Profile.

Threshold must be level



**PACKAGE CONTENT**



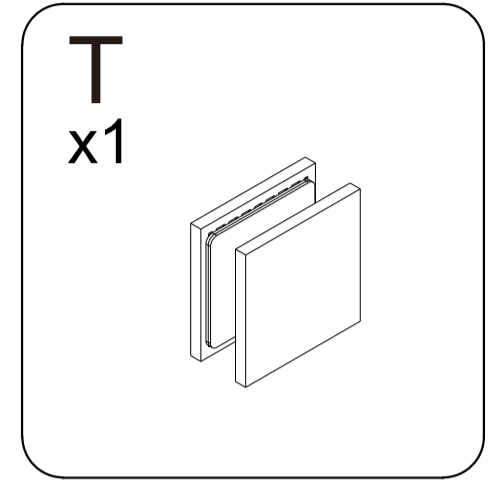
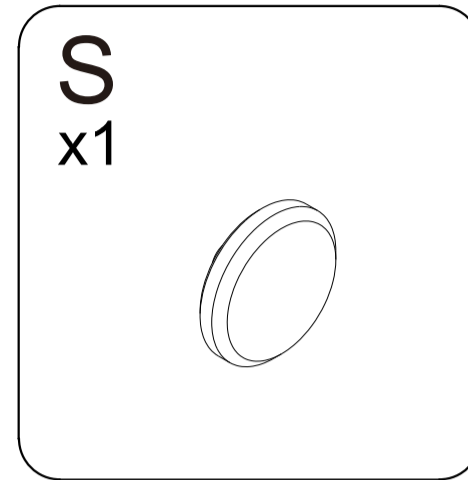
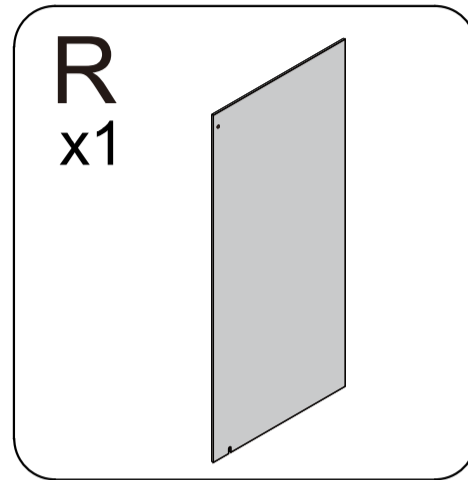
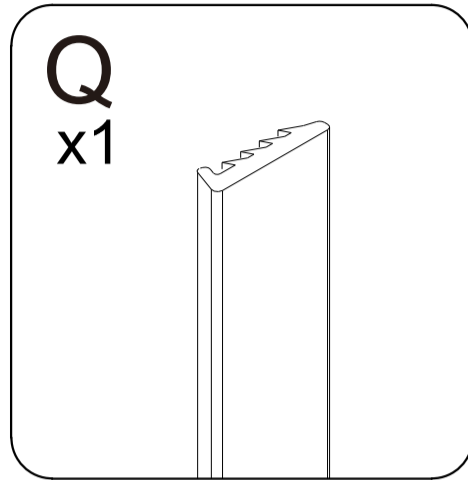
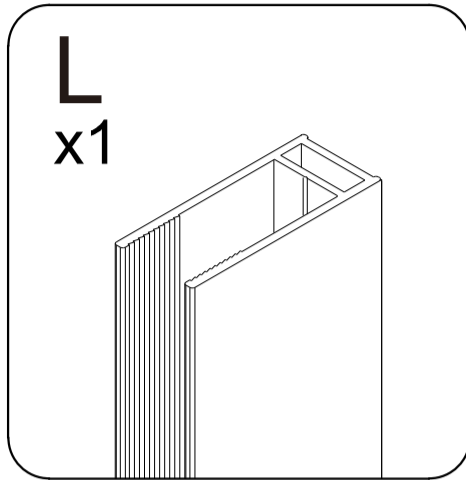
**PACKAGE CONTENT**

| PART# | DESCRIPTION        | QTY |
|-------|--------------------|-----|
| L     | Wall Jamb          | 1   |
| Q     | Wedge Seal         | 1   |
| R     | Return panel glass | 1   |
| S     | Bumper Strip       | 1   |
| T     | Bottom Bracket     | 1   |

**NOTE**

Inspect all parts for missing prior to installation!  
Contact us for any part missing.

**PACKAGE CONTENT**



**HARDWARE CONTENT**

|   |   |   |  |
|---|---|---|--|
| <p><b>aa</b></p> <p>Wall anchor<br/>Φ6X28mm<br/>6 PCS</p> | <p><b>bb</b></p> <p>Metric screw<br/>ST4X30mm<br/>4 PCS</p> | <p><b>ff</b></p> <p>Metric Screw<br/>ST4X30mm<br/>2 pcs</p> | <p><b>gg</b></p> <p>Metric Screw<br/>M5X10mm<br/>1 pcs</p> |
|---|---|---|--|

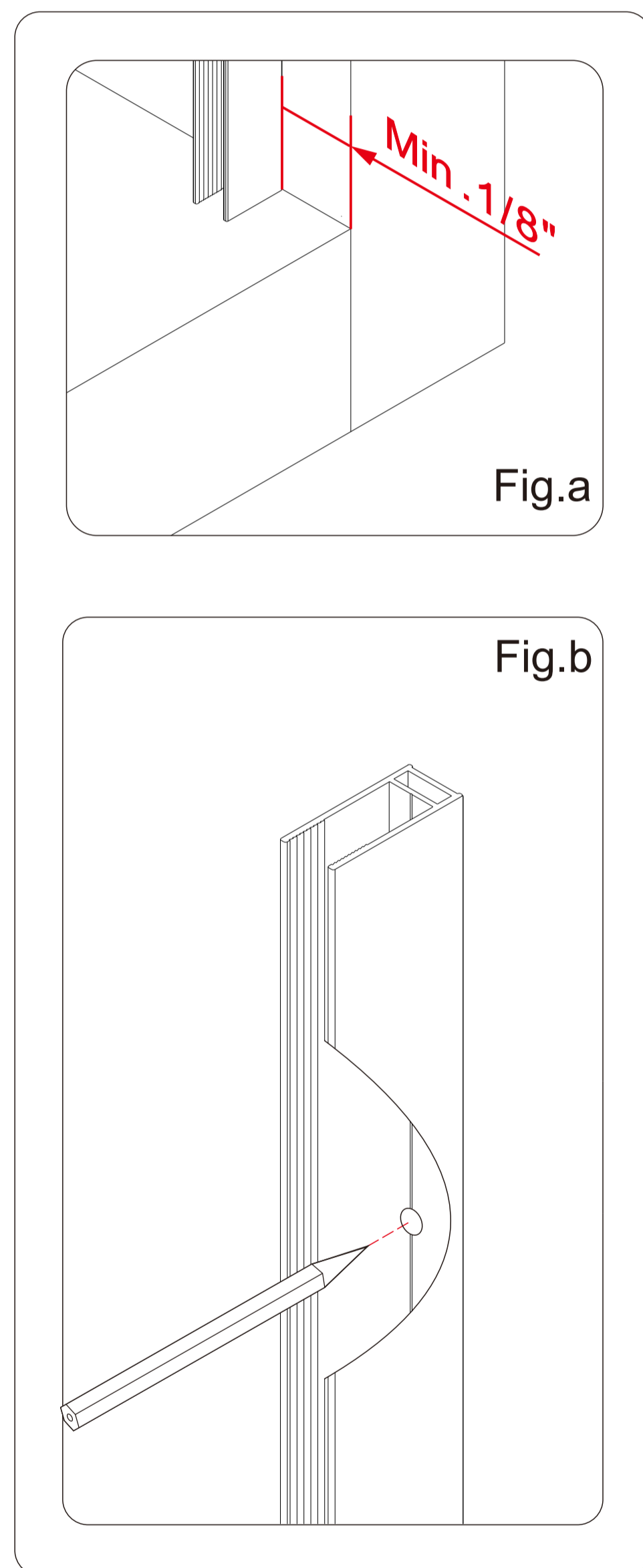
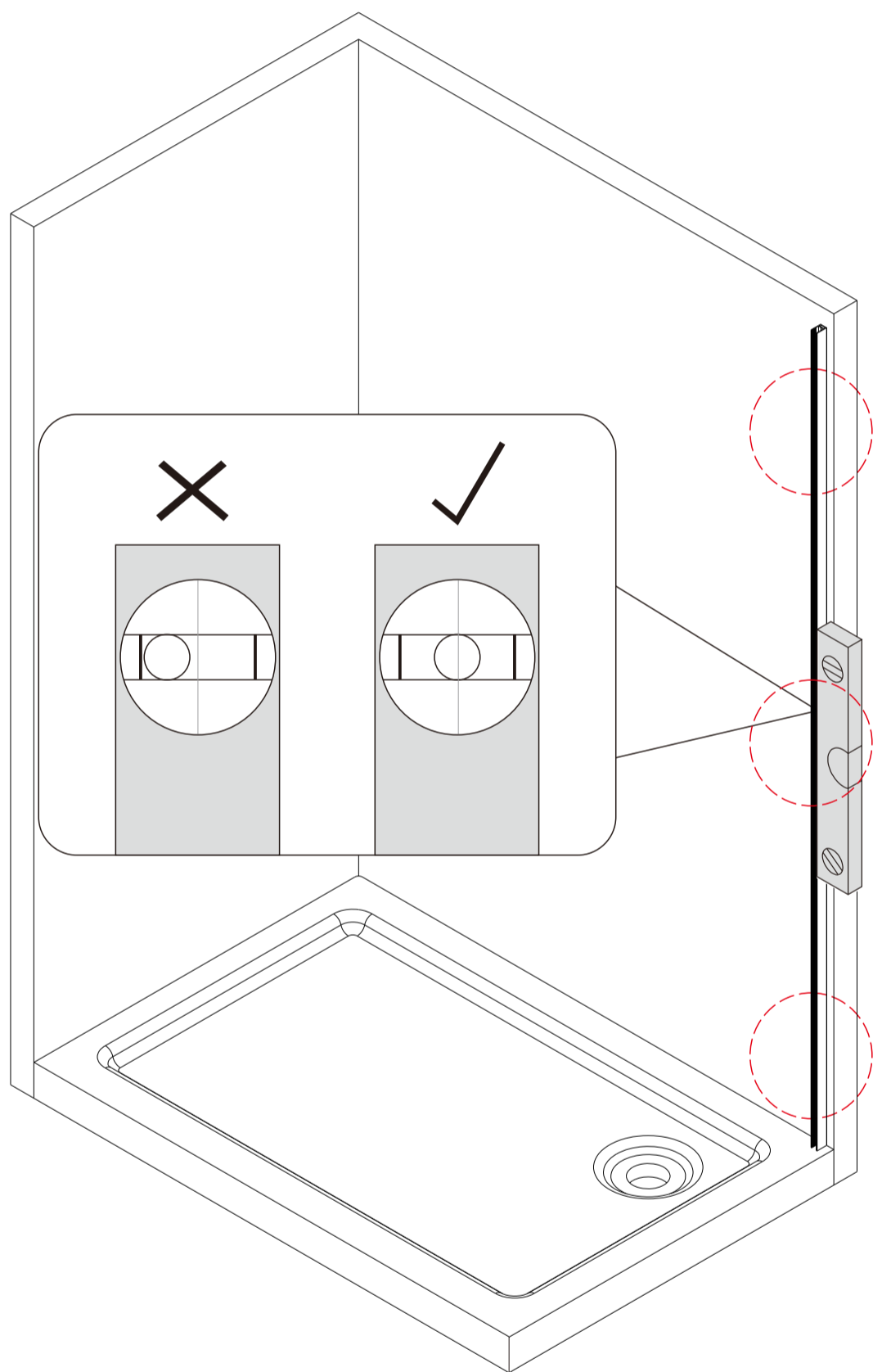
Additional spare parts are included.

**NOTE** Inspect all parts for missing prior to installation!  
Contact us for any part missing.

**1** Determine your step in from the edge of tray and plumb your **Wall Jamb(L)**.

NOTE

1. Determine your starting point from the edge of tray ( 1/8" is recommended) and mark the position as Fig.a .
2. Plumb your **Wall Jambs(L)** and then mark screw holes position as Fig.b .

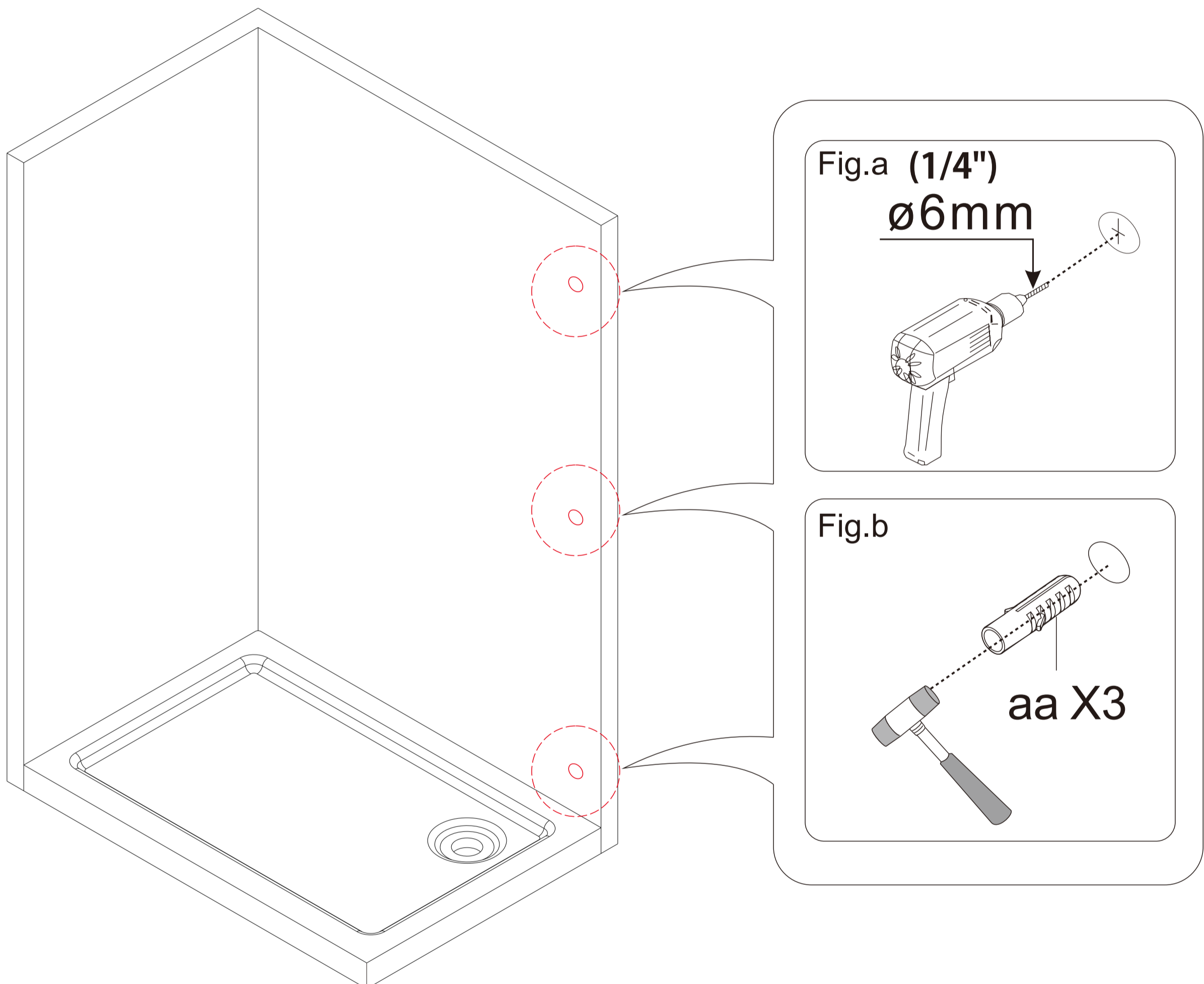


Note: The shower door can be installed left or right, according to the need to determine the installation direction.

## 2 Install **Wall Anchor(aa)**

NOTE

1. Drill holes with  $\phi 6\text{mm}$ (1/4") drill bit as Fig.a .
2. Insert **Wall Anchors(aa)** as Fig.b .



NOTE

- If a Stud is present behind the wall:  
drill  $\phi 1/8''$ (3mm) pilot holes into the stud and use the ST4.0x30mm **Screws(bb)**  
OR
- If NO Stud is present behind the wall:  
drill  $\phi 1/4''$ (6mm) holes and insert the **Wall Anchors(aa)**  
and use the ST4.0x30mm **Screws(bb)**.

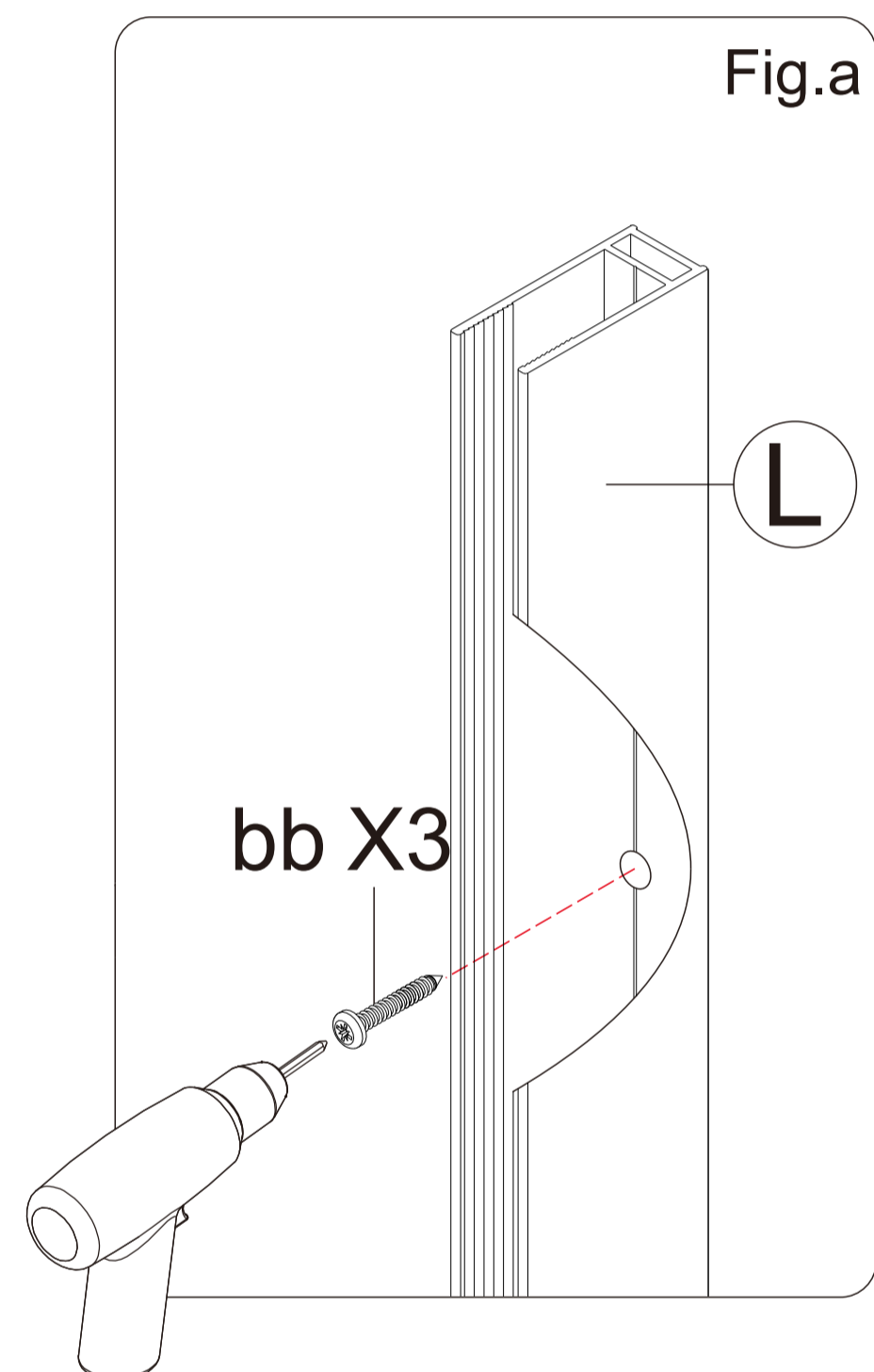
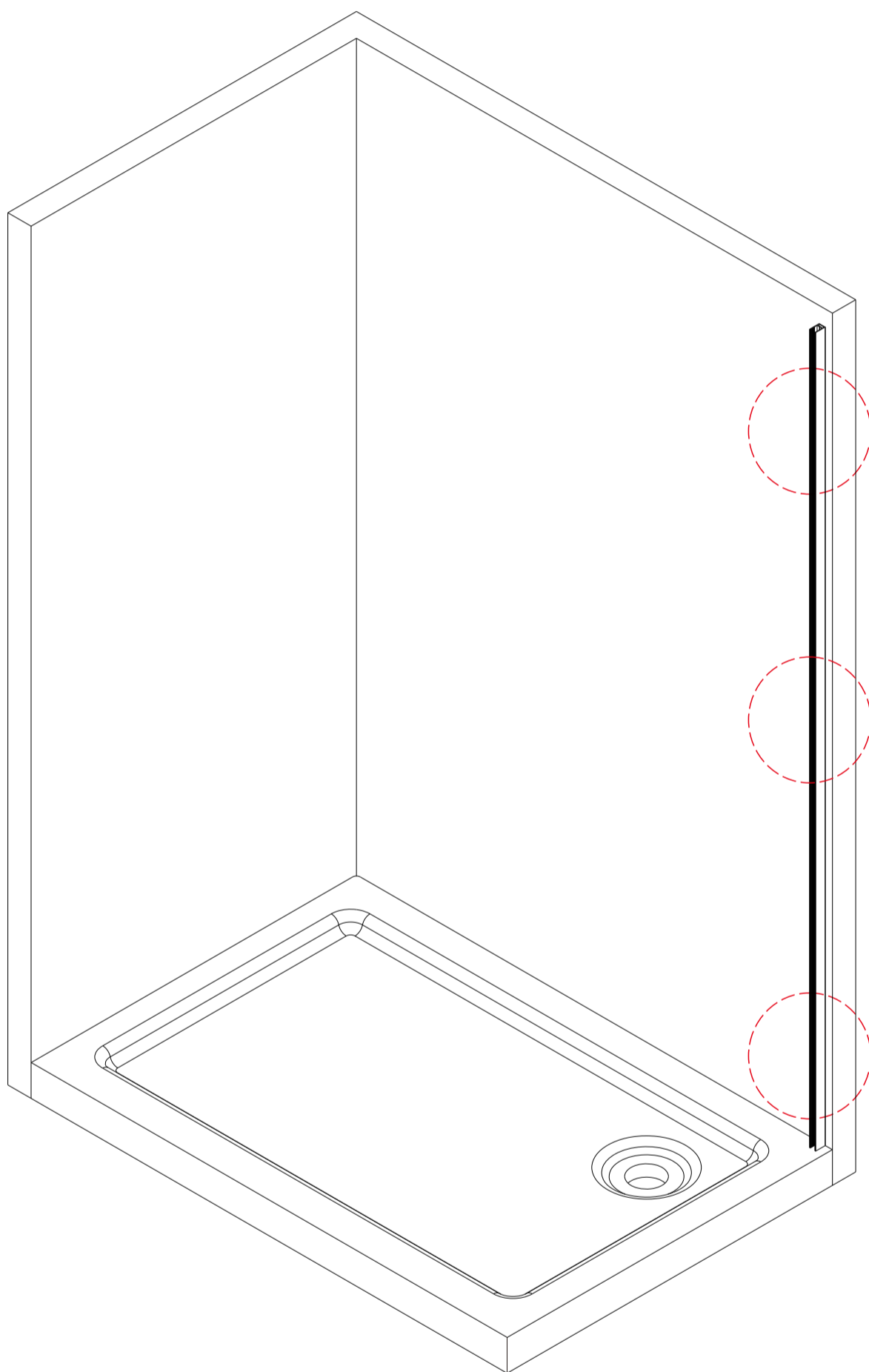


**Note:** The shower door can be installed left or right, according to the need to determine the installation direction.

## 3 Install Wall Jamb(L)

NOTE

1. Fix Wall Jambs(L) with Screw(bb) as Fig.a .





Note: The shower door can be installed left or right, according to the need to determine the installation direction.

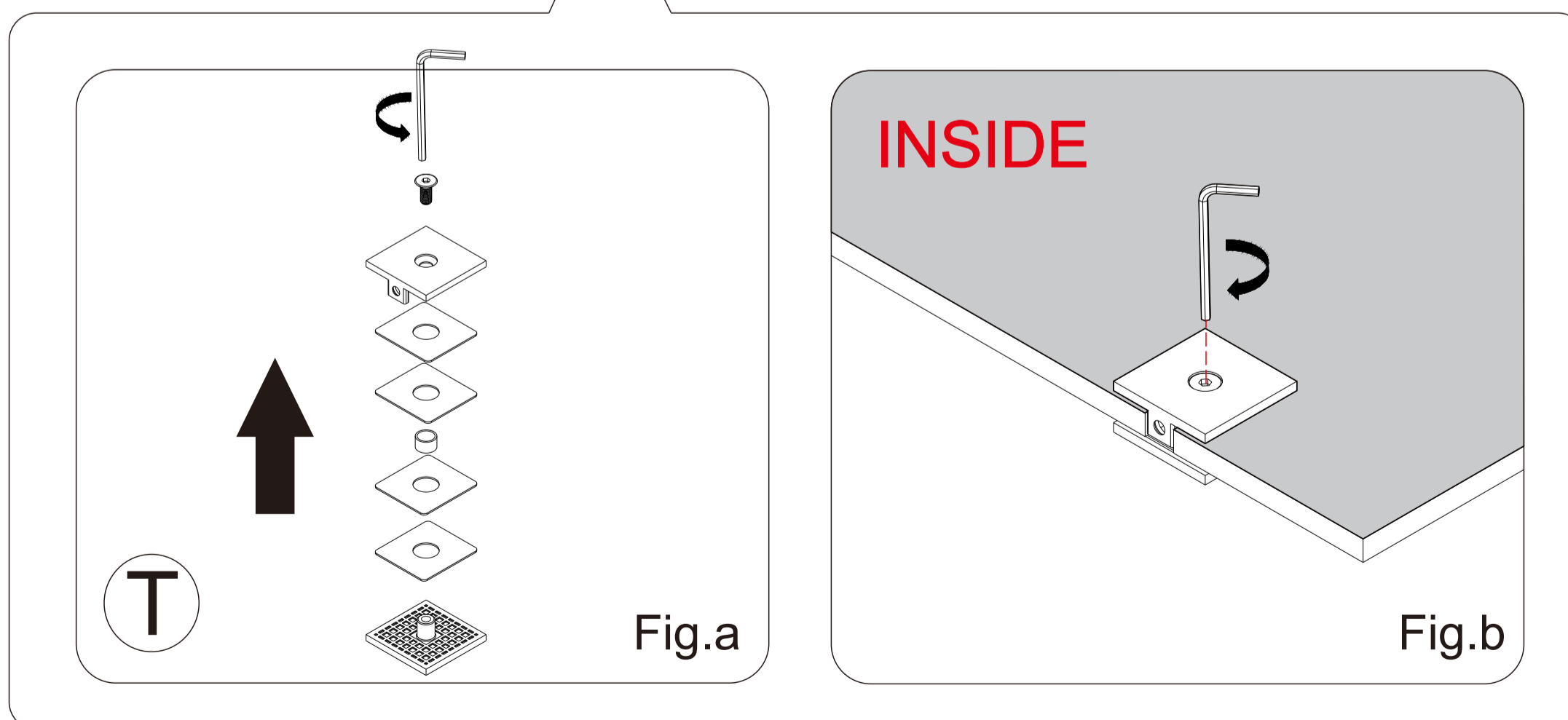
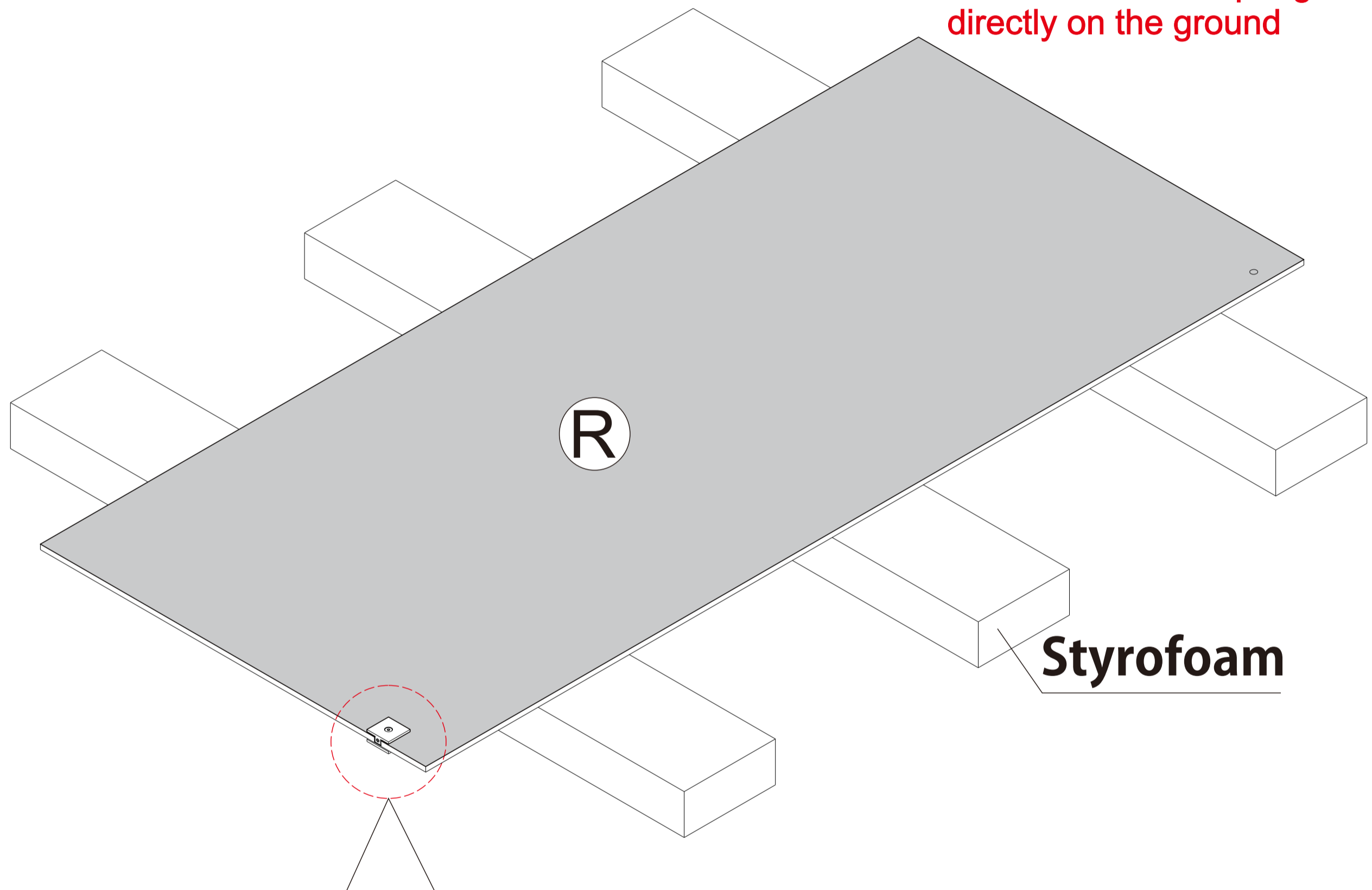
## 4-1 Install Bottom Bracket(T)

NOTE

1. Install the **Bottom Bracket(T)** to the **Return panel glass(R)** as Fig.a and Fig.b .
2. Note: Make sure the gasket is installed

  
Note: The shower door can be installed left or right, according to the need to determine the installation direction.

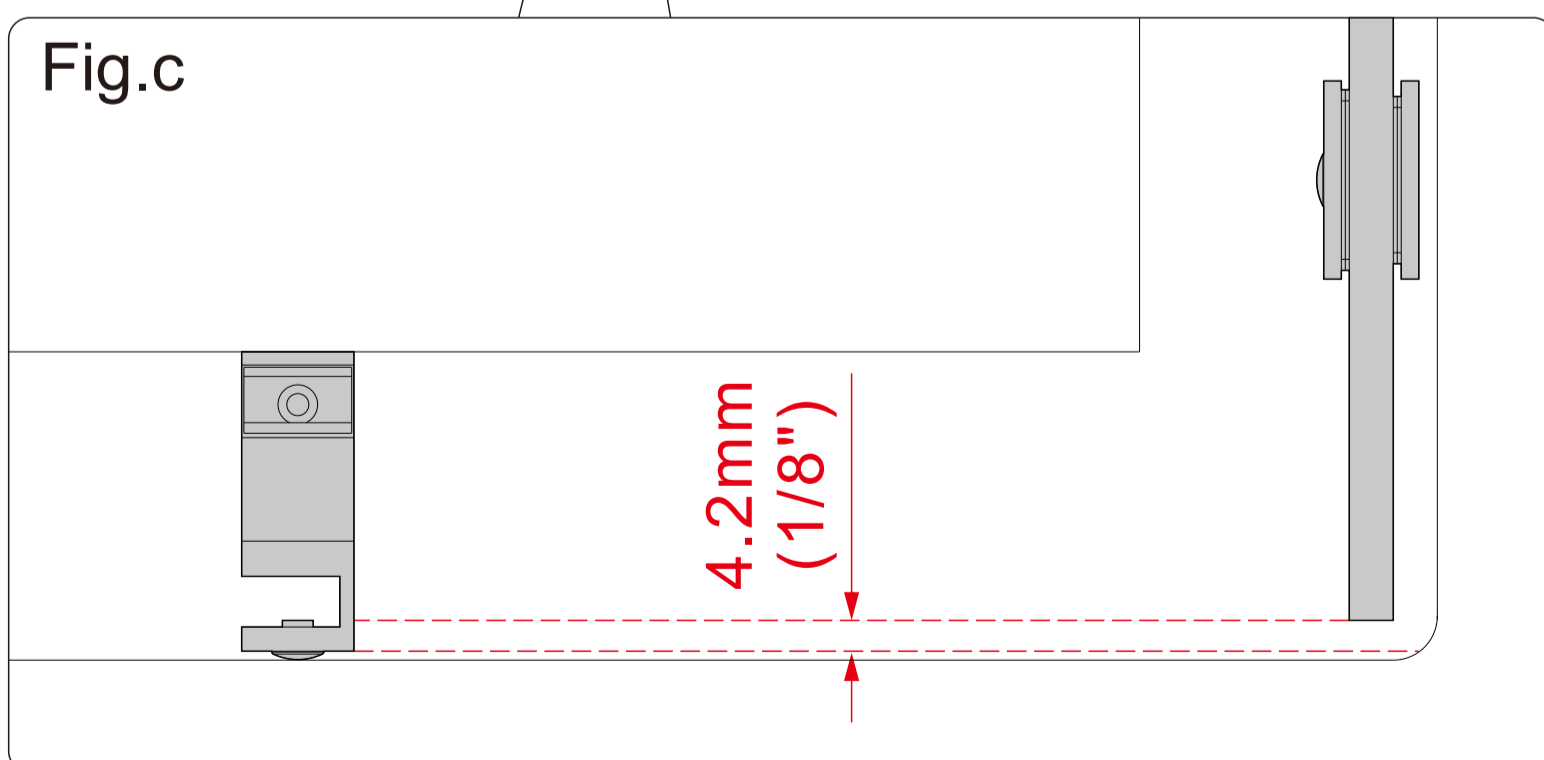
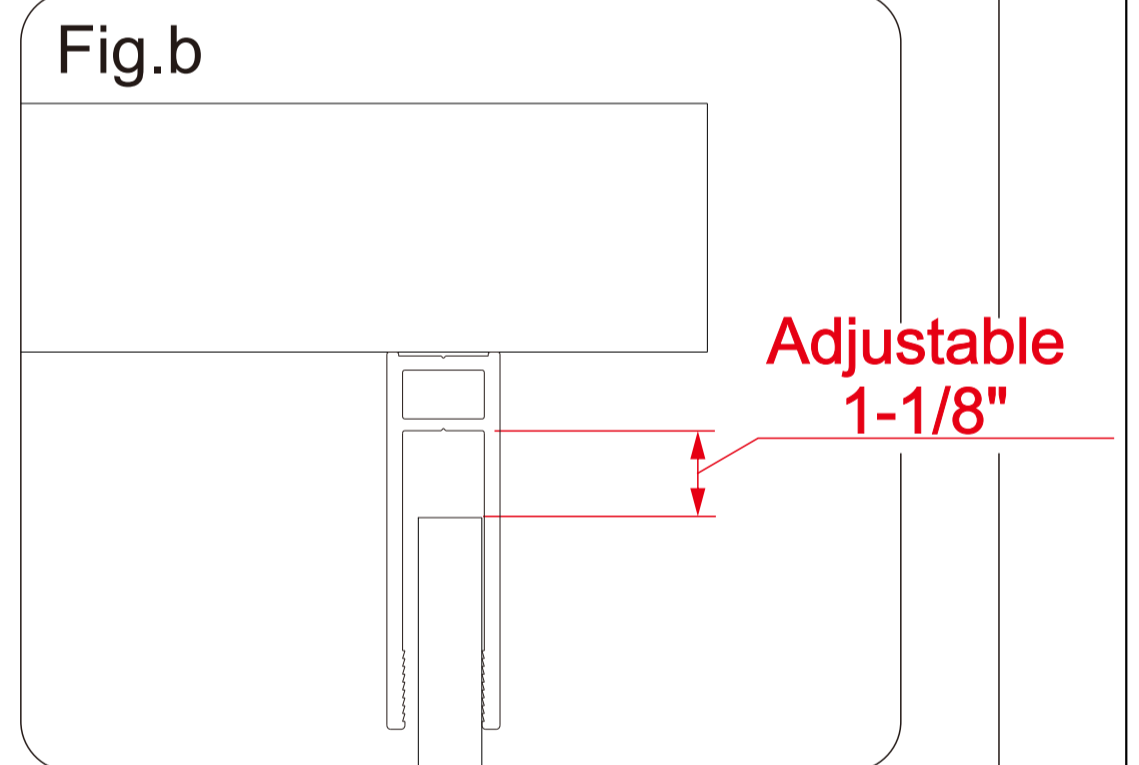
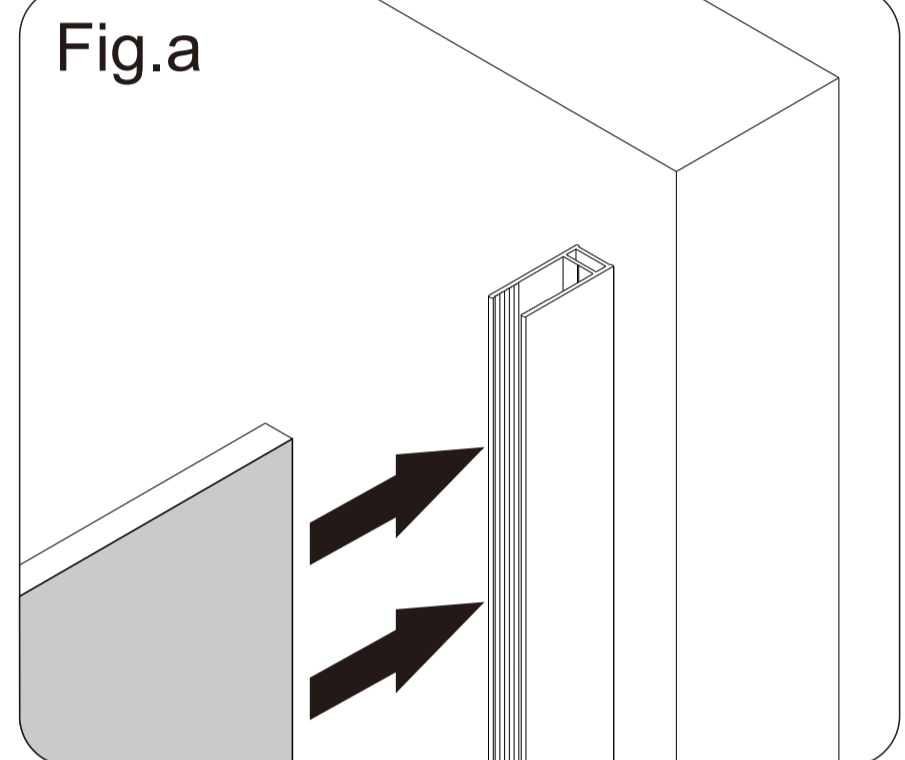
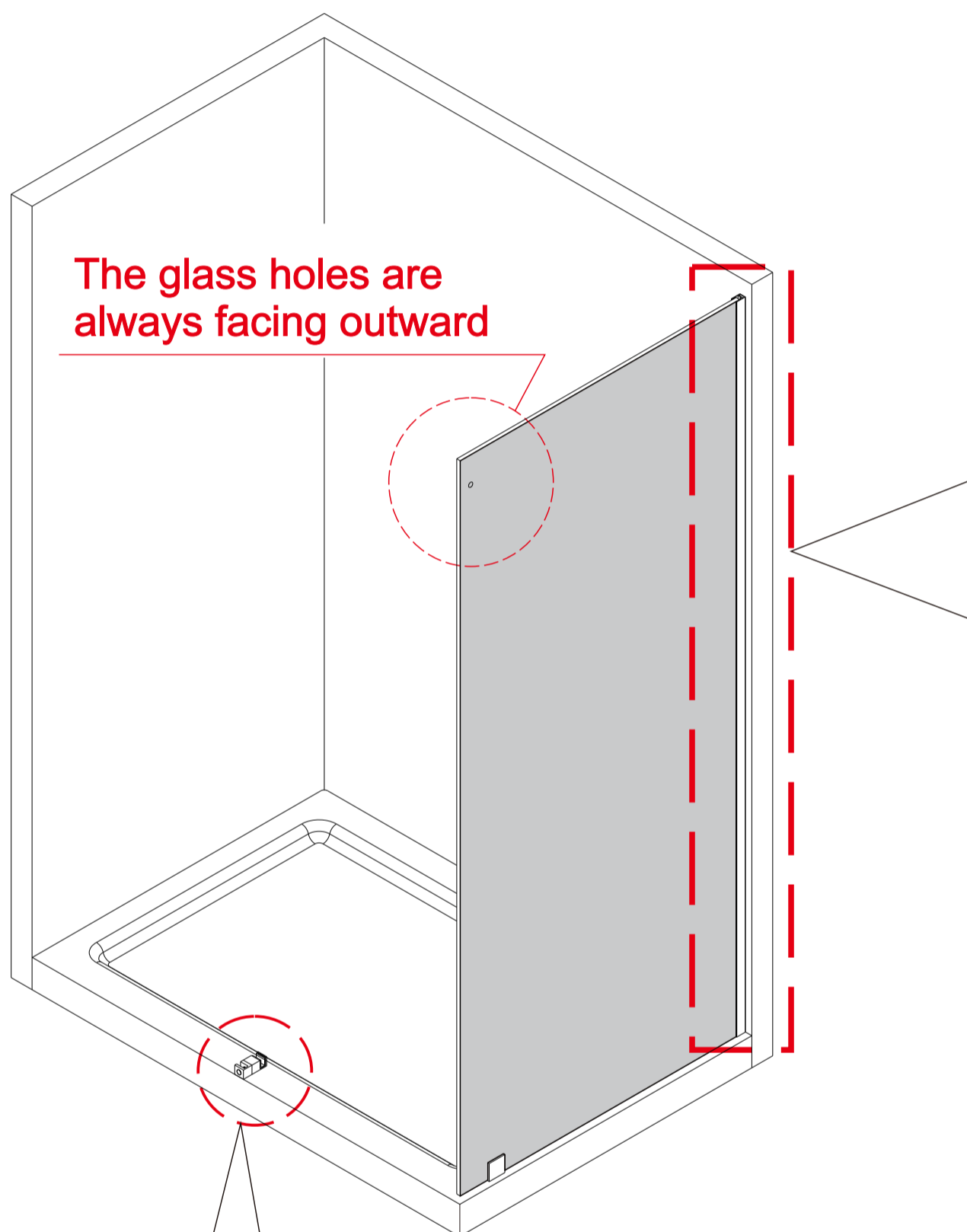
  
CAUTION: Do not put glass directly on the ground



## 4-2 Install Bottom Bracket(T)

NOTE

1. Install the **Return panel glass(R)** into the **Wall Jamb(L)** as Fig.a .
2. The space between the **Wall Jamb(L)** and the **Return panel glass(R)** can be adjusted by 1-1/8". Please adjust according to the actual situation. as Fig.b .
3. Place the **Guide Block (A)** in the position where it will be installed, and push the **Return panel glass (R)** back by 4.2mm (1/8").

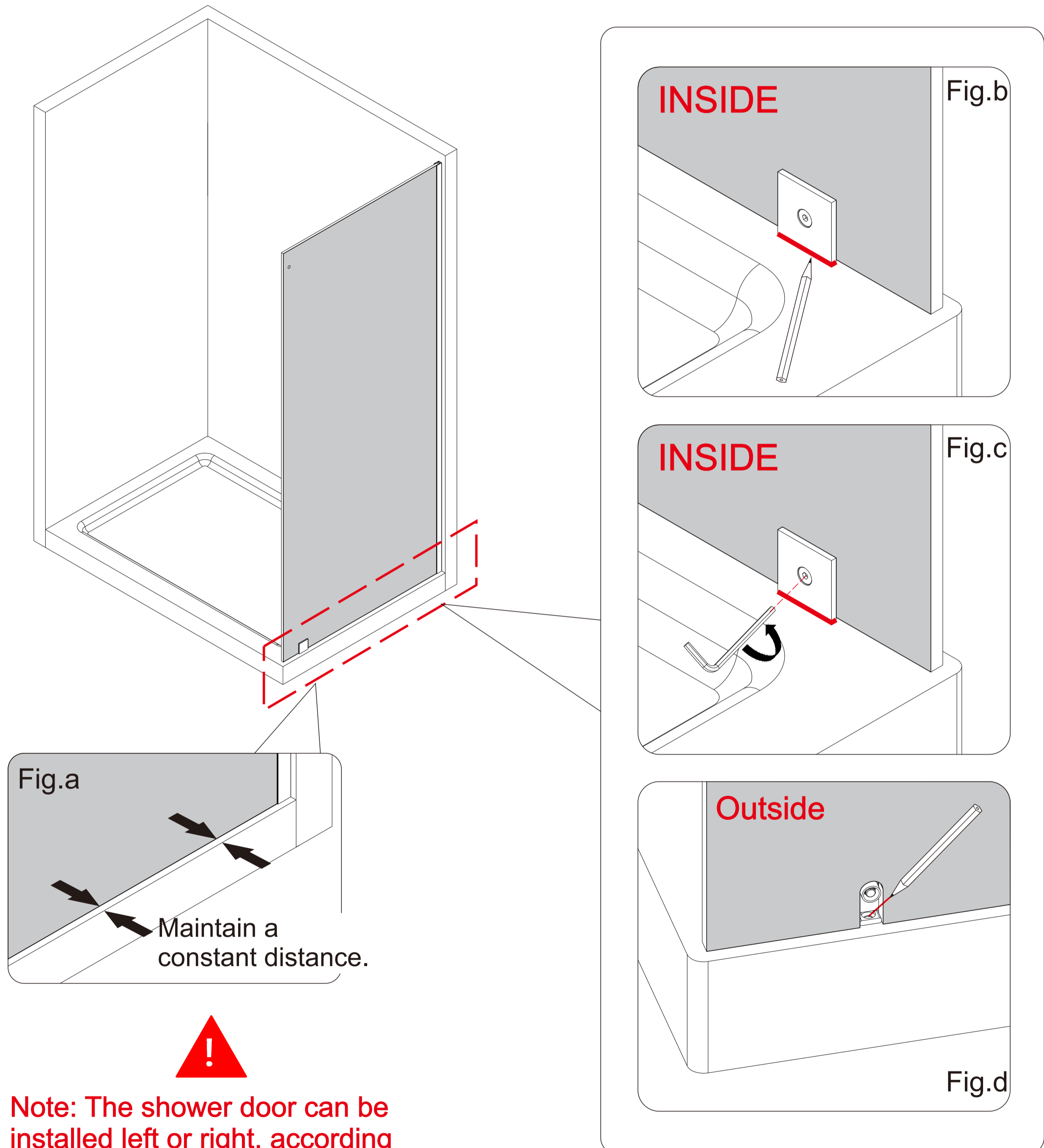


Note: The shower door can be installed left or right, according to the need to determine the installation direction.

## 4-3 Install Bottom Bracket(T)

NOTE

1. Keep the **Return panel glass(R)** parallel as Fig.a .
2. Mark the location with a pencil as Fig.b .
3. Use a hex wrench to loosen the **Bottom Bracket (T)** as Fig.c .
4. Use a pencil to mark the **Bottom Bracket (T)** holes as Fig.d .

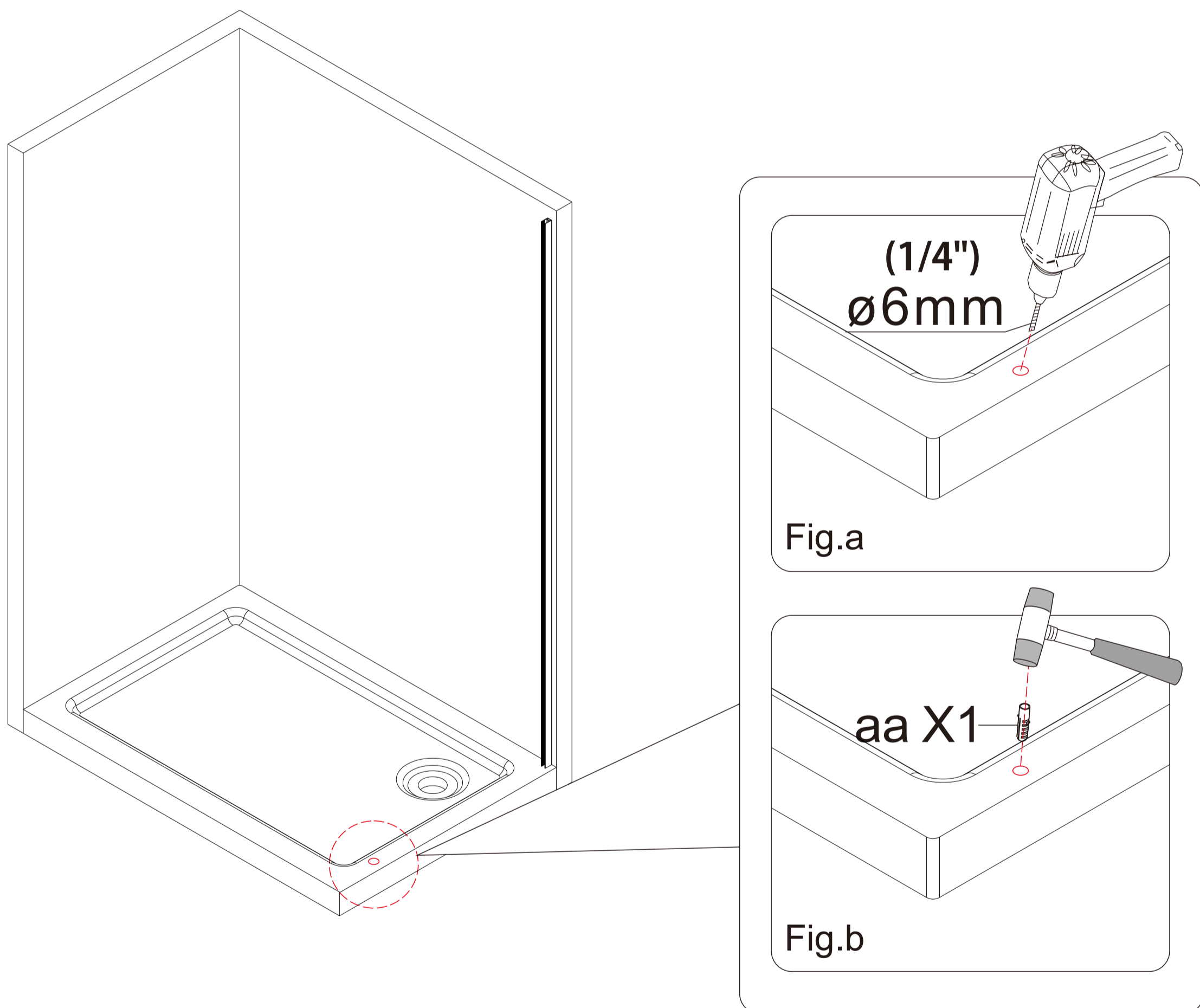


**Note:** The shower door can be installed left or right, according to the need to determine the installation direction.

## 4-4 Install **Bottom Bracket(T)**

NOTE

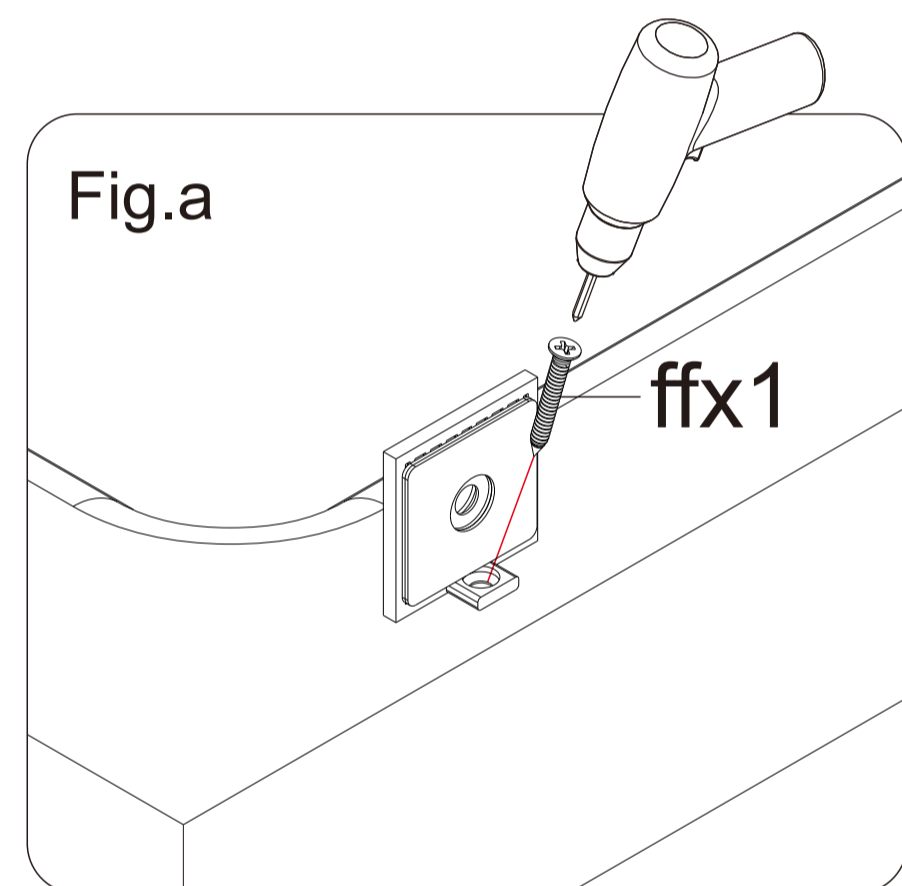
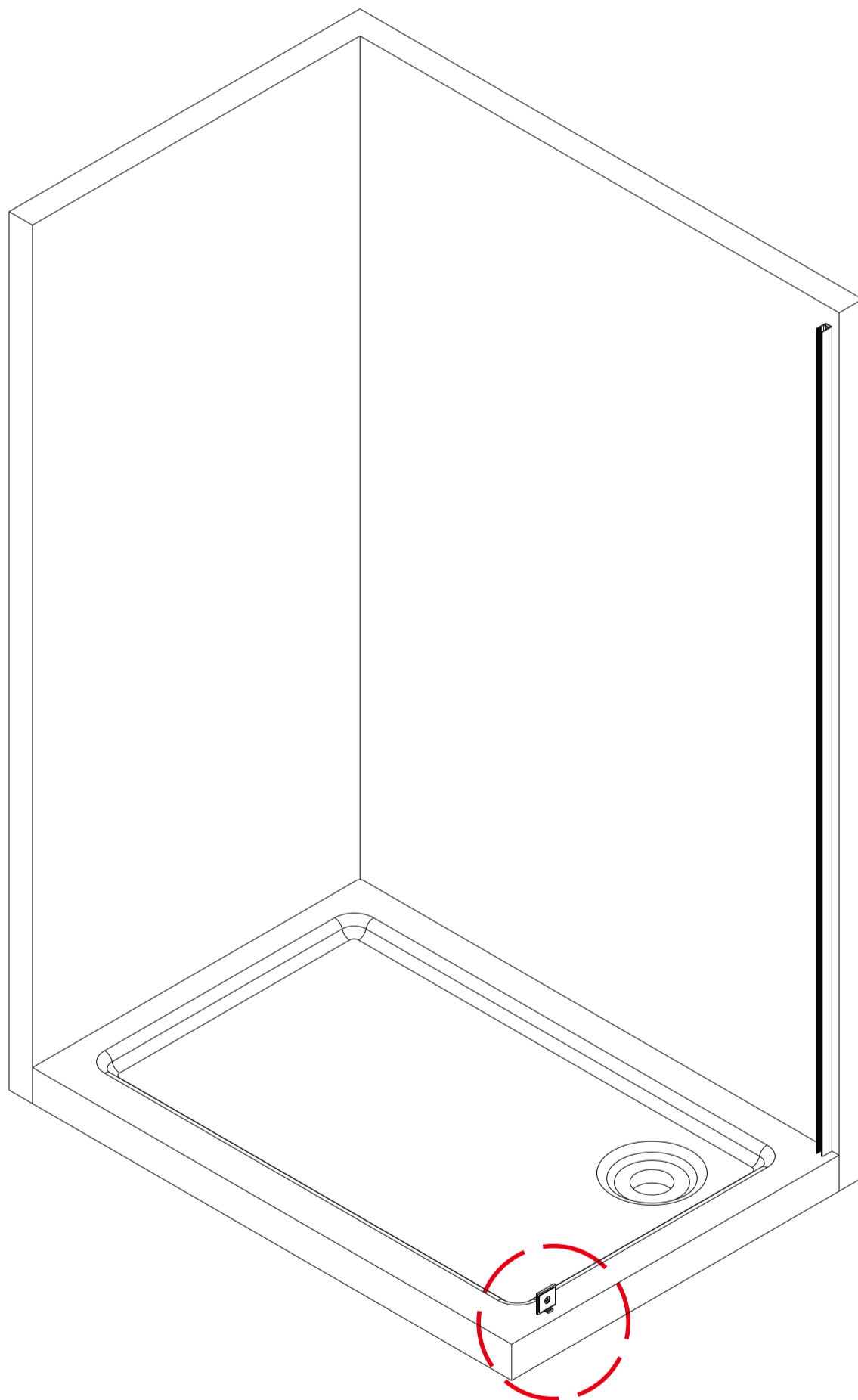
- 1.Remove the **Return panel glass(R)**
- 2.Drill holes with  $\phi 6\text{mm}(1/4\text{'})$  drill bit as Fig.a .
- 3.Insert **Wall Anchors(aa)** as Fig.b .



Note: The shower door can be installed left or right, according to the need to determine the installation direction.

## 4-4 Install **Bottom Bracket(T)**

**NOTE** 1. Secure the **Bottom Bracket(T)** with screws (ff) as Fig.a .

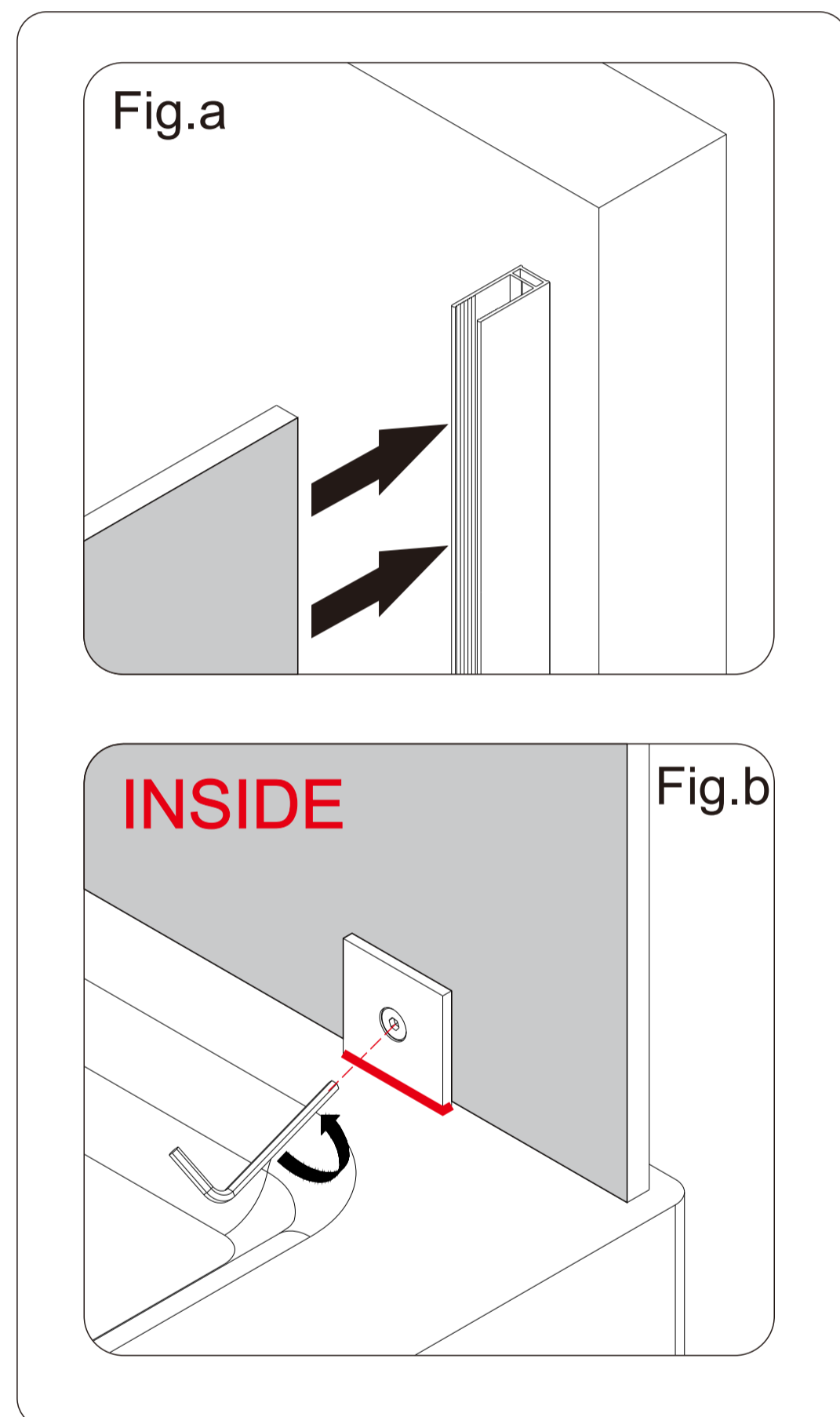
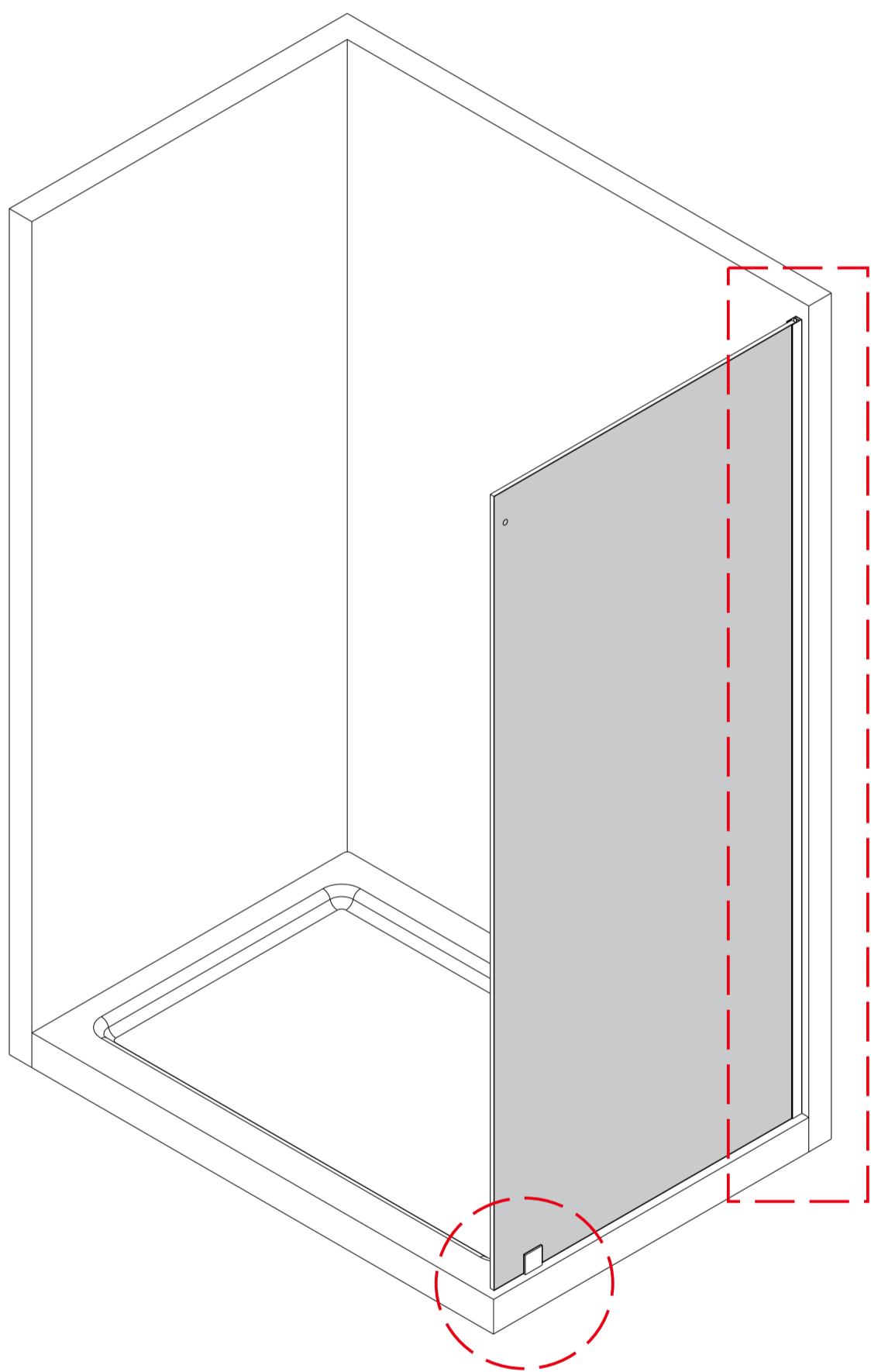


**Note:** The shower door can be installed left or right, according to the need to determine the installation direction.

## 4-5 Install Return panel glass(R)

NOTE

1. Install the **Return panel glass(R)** into the **Wall Jamb(L)** as Fig.a .
2. Secure the **Bottom Bracket(T)** with a hex wrench as Fig.b .
3. Make sure the top of Wall Jamb (L) is level, otherwise make adjustment to fit .

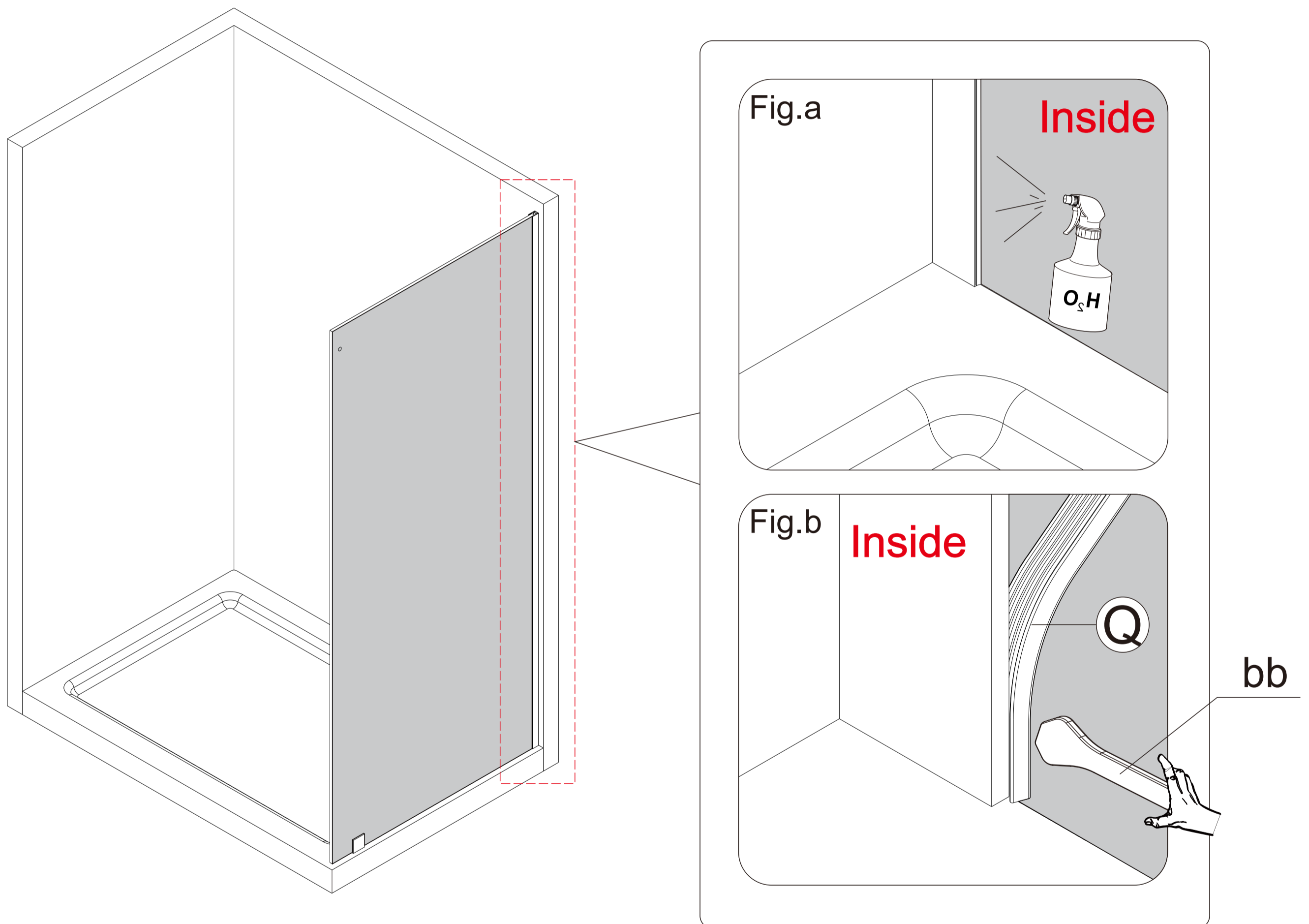


Note: The shower door can be installed left or right, according to the need to determine the installation direction.

## 5 Install Wedge Seal(Q)

NOTE

1. Spray water on the **Return panel glass(R)** and the slot of Wall Jamb(L) as Fig.a.
2. Insert in the **Wedge Seal(Q)** Using the given Wedge seal installation tool to press the **Wedge seal(Q)** and Fit it place as Fig.b.

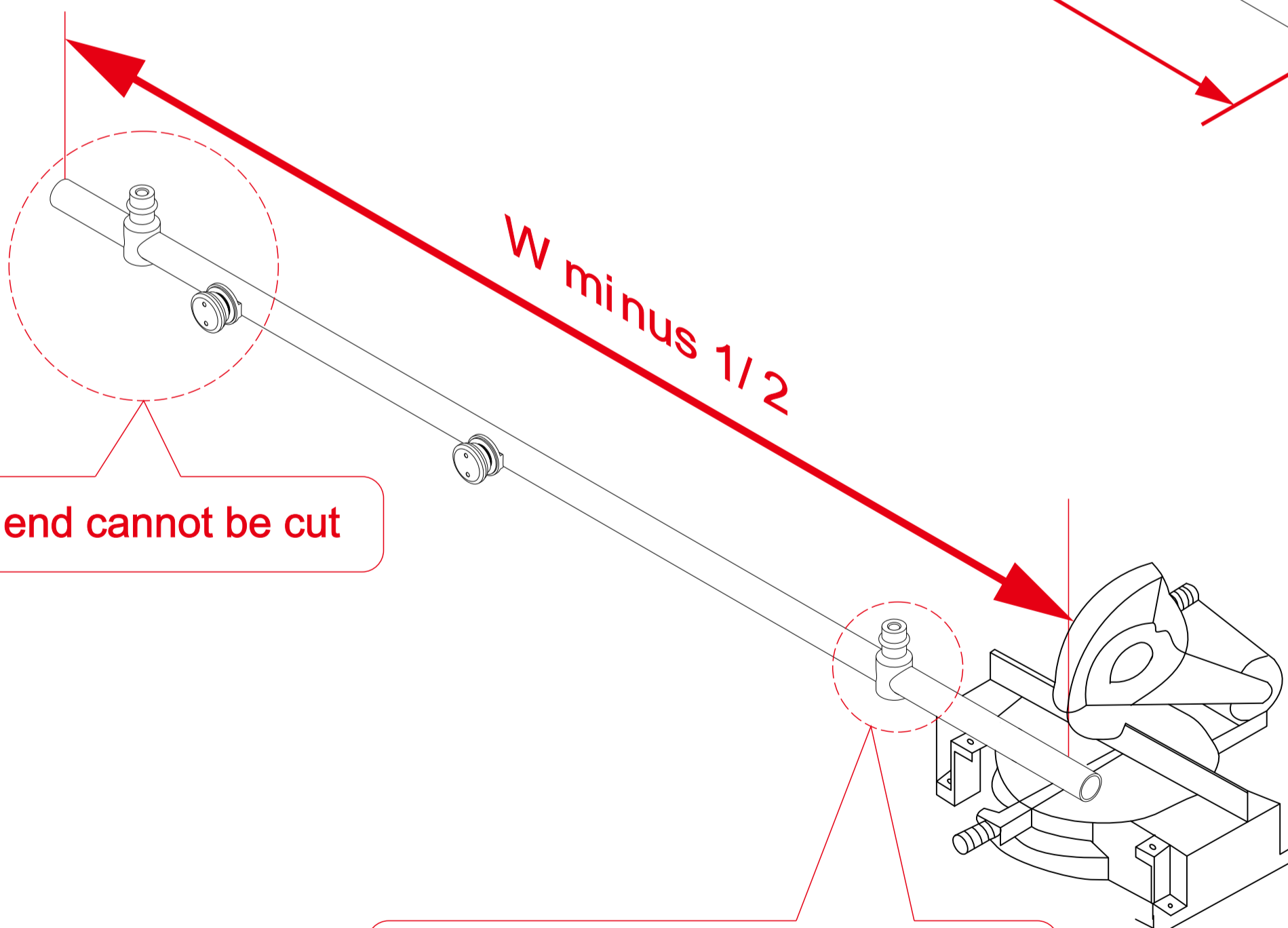
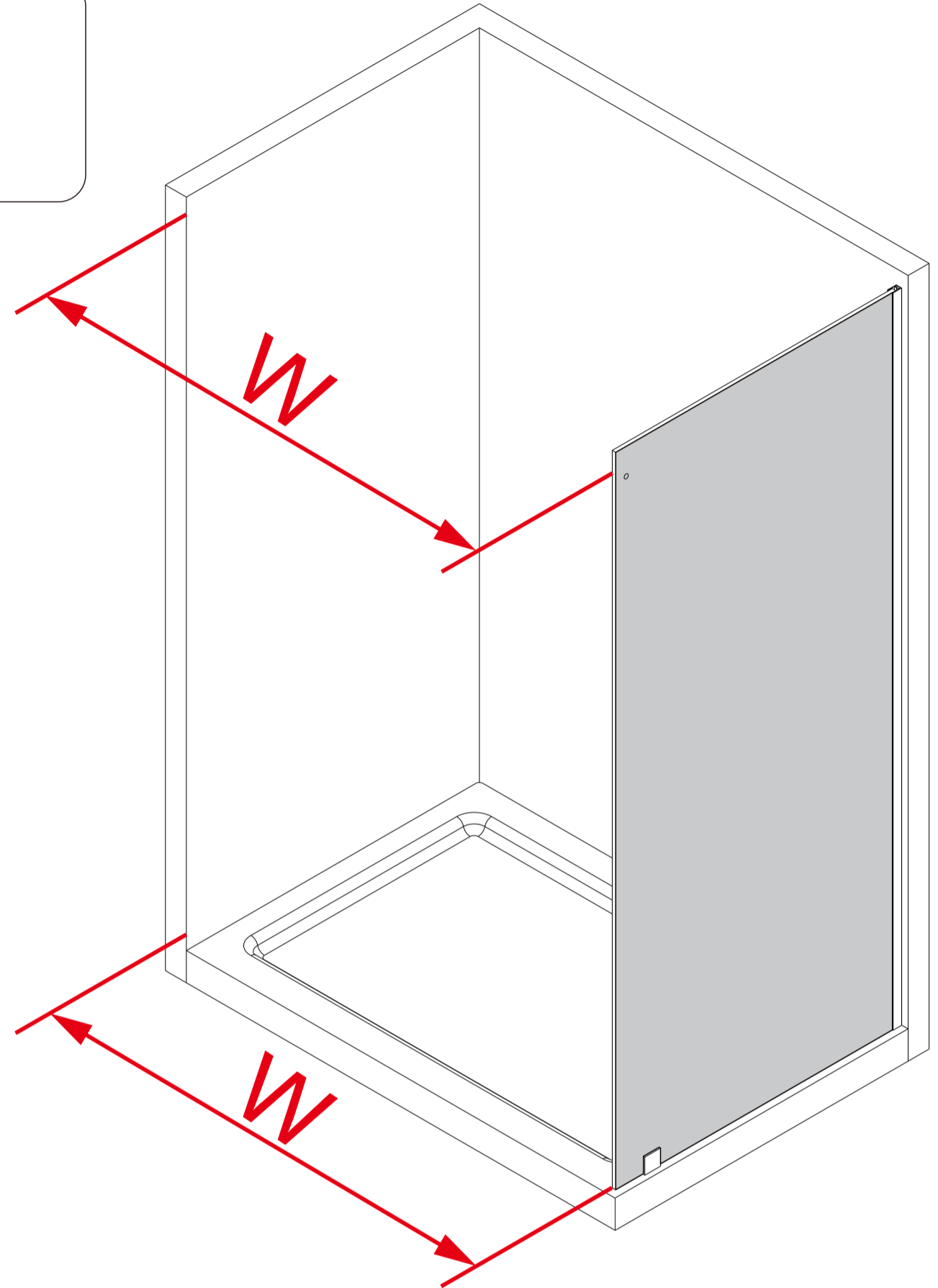


Note: The shower door can be installed left or right, according to the need to determine the installation direction.

## 6 Cut the **Upper Guide Rail (I)** to fit your finished opening using either a miter saw or a hacksaw

NOTE

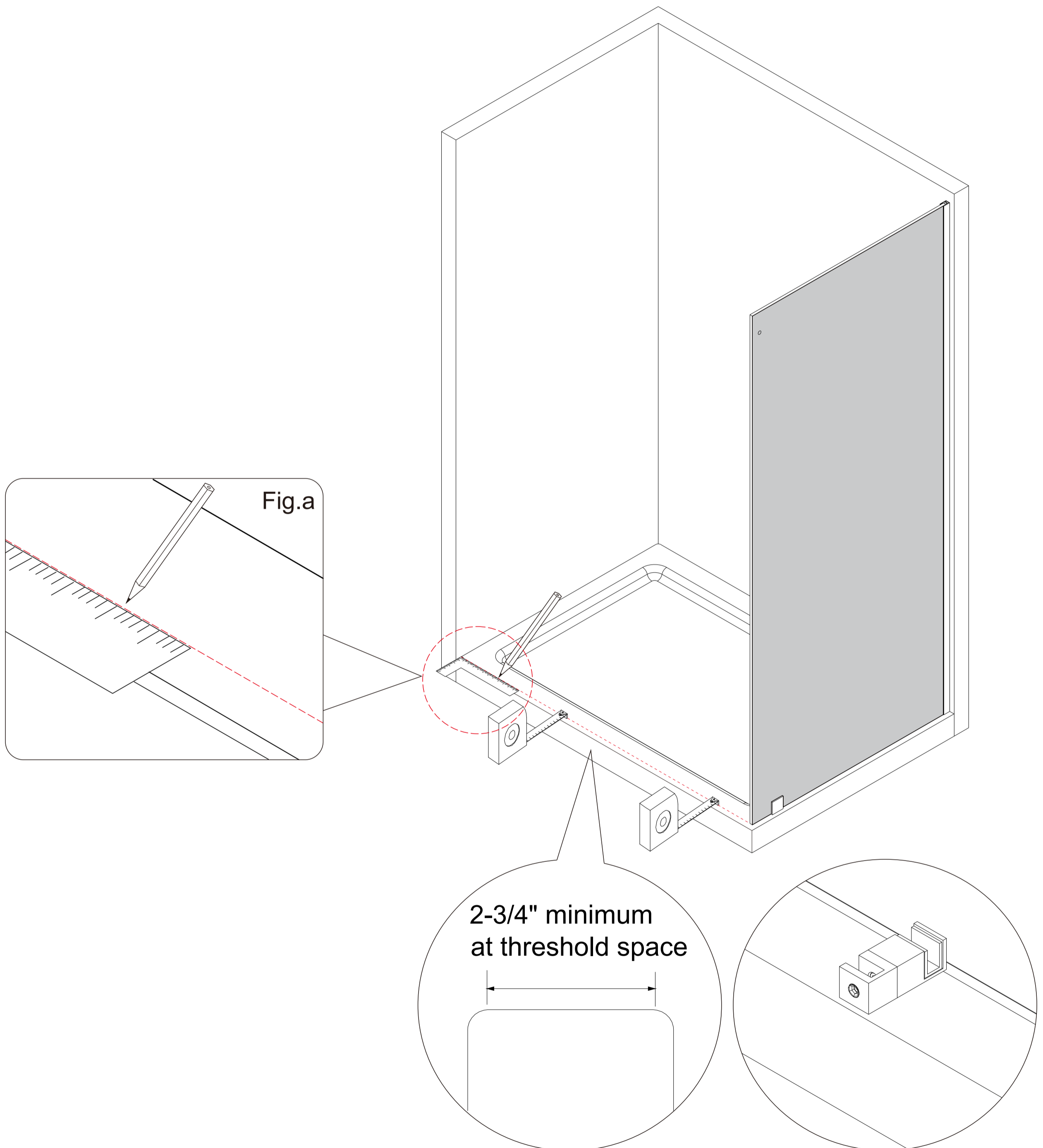
1. The length of the **Upper Guide Rail (I)** =  $W$  minus  $1/2$ " use the corner grinder to cut off the excess part, be careful not to cut to the Door Stoppers



## 7 Mark the position of **Wall Jamb(L)**

NOTE

1. This model requires a minimum 2-3/4" of flat threshold space for installation. Starting from the wall on the **Return panel glass(R)** side, use a Carpenter's Square as a guide and draw a reference line on the threshold.

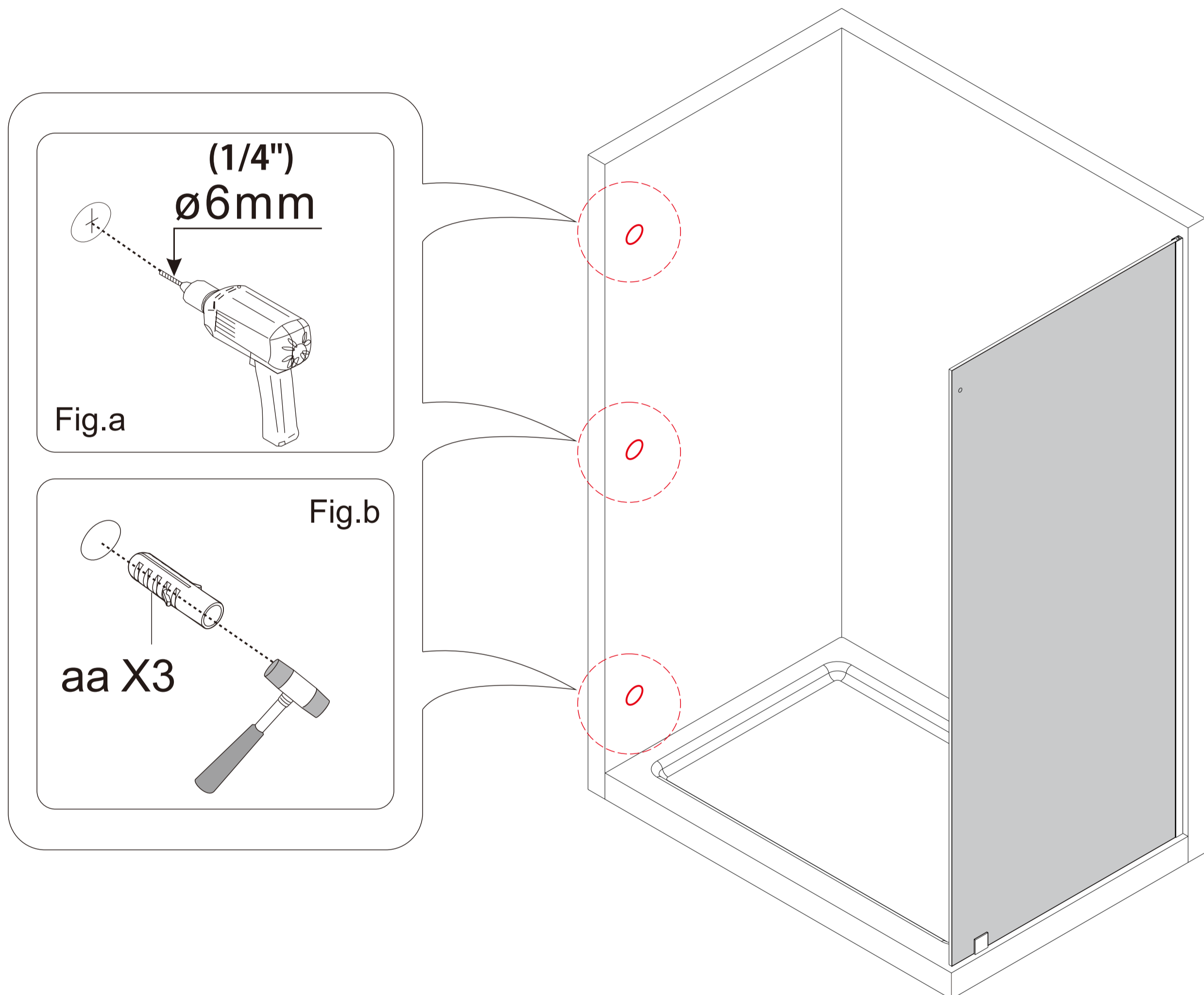




## 9 Install **Wall Anchor(aa)**

NOTE

1. Drill holes with  $\phi 6\text{mm}(1/4\text{'})$  drill bit as Fig.a .
2. Insert **Wall Anchors(aa)** as Fig.b .



NOTE

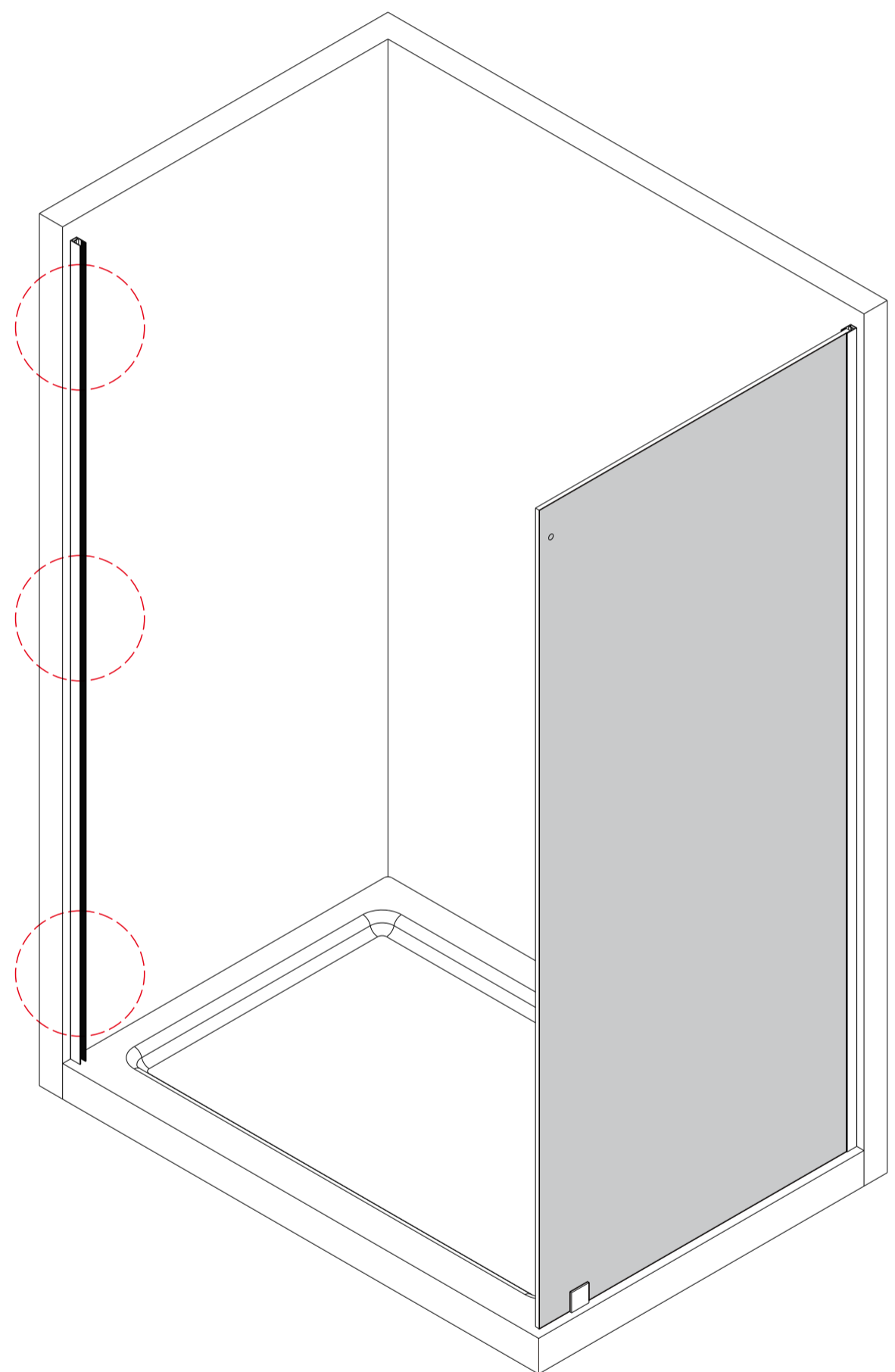
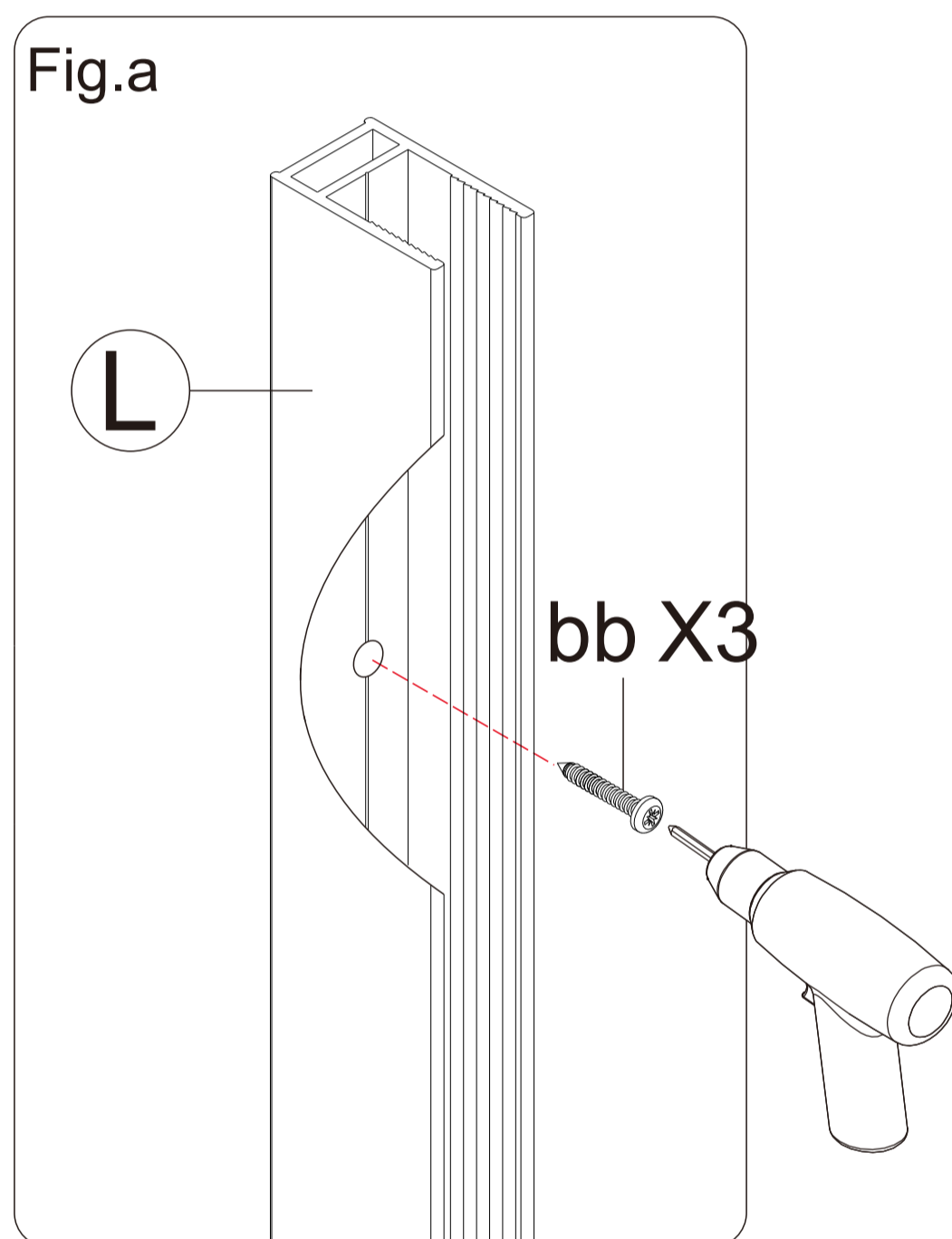
- If a Stud is present behind the wall:  
drill  $\phi 1/8\text{'}$  (3mm) pilot holes into the stud and use the ST4.0x30mm **Screws(bb)**  
OR
- If NO Stud is present behind the wall:  
drill  $\phi 1/4\text{'}$  (6mm) holes and insert the **Wall Anchors(aa)** and use the ST4.0x30mm **Screws(bb)**.



**Note:** The shower door can be installed left or right, according to the need to determine the installation direction.

## 10 Install Wall Jamb(L)

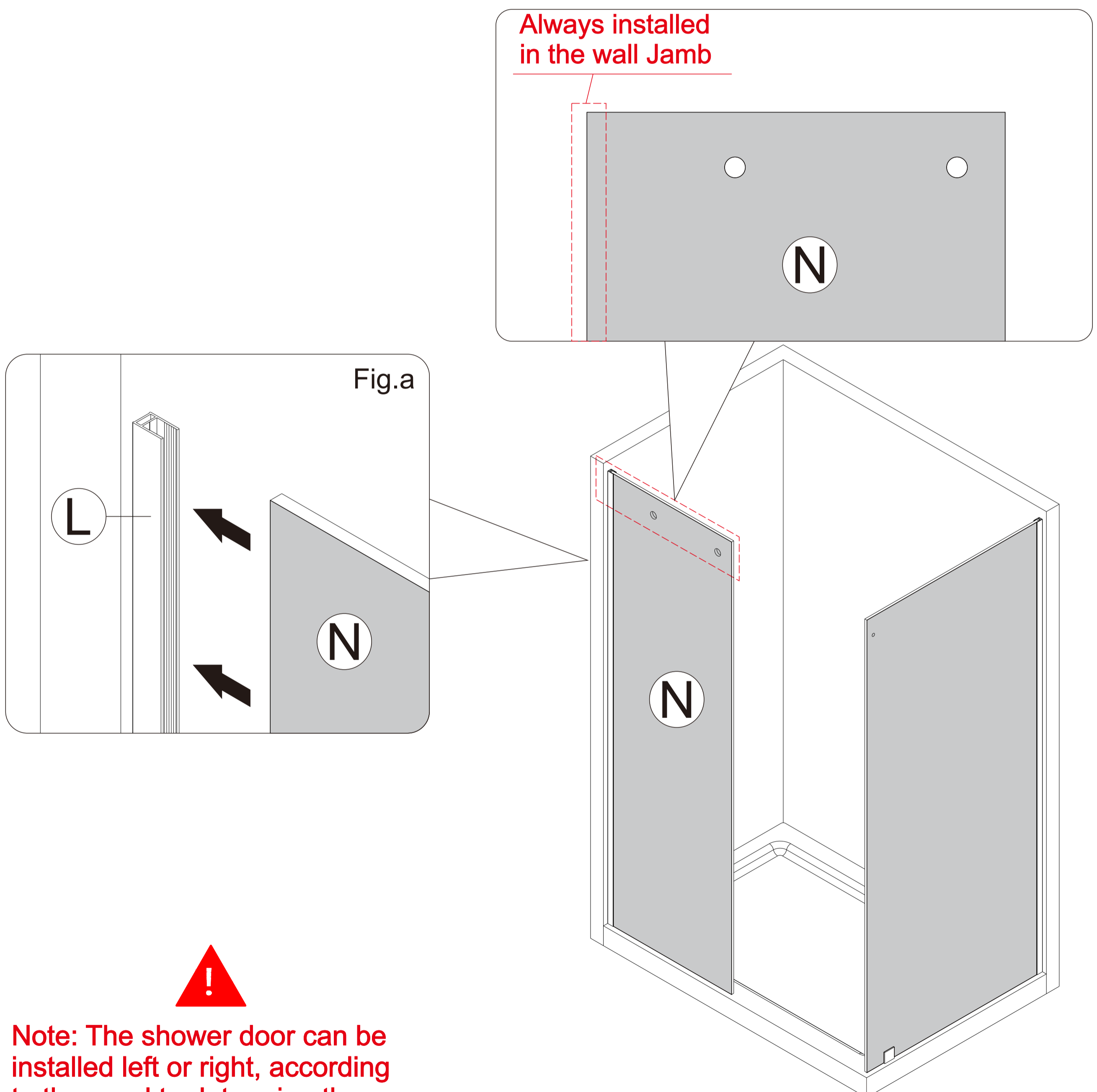
**NOTE** 1. Fix **Wall Jambs(L)** with **Screw(bb)** as Fig.a .



**Note:** The shower door can be installed left or right, according to the need to determine the installation direction.

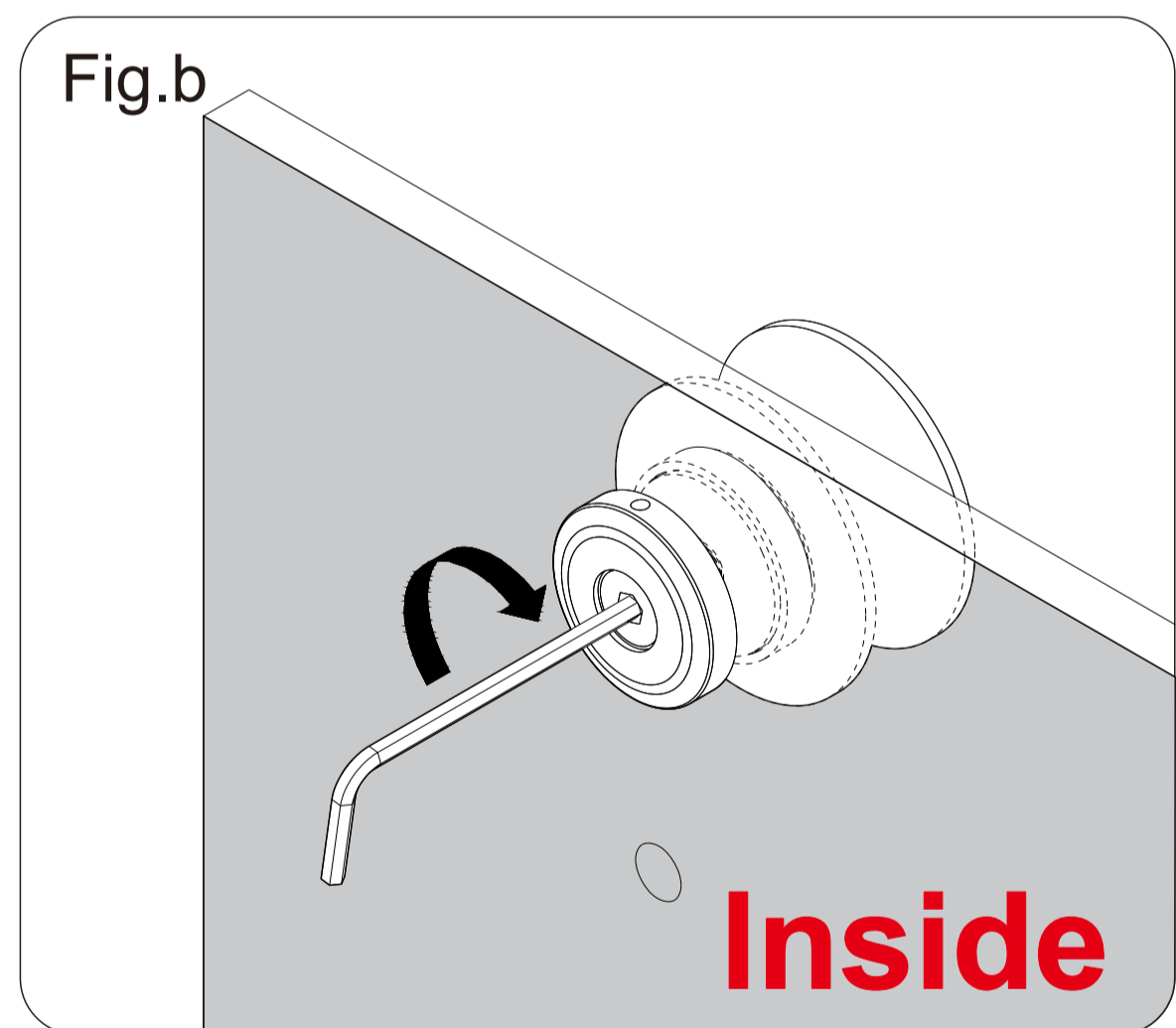
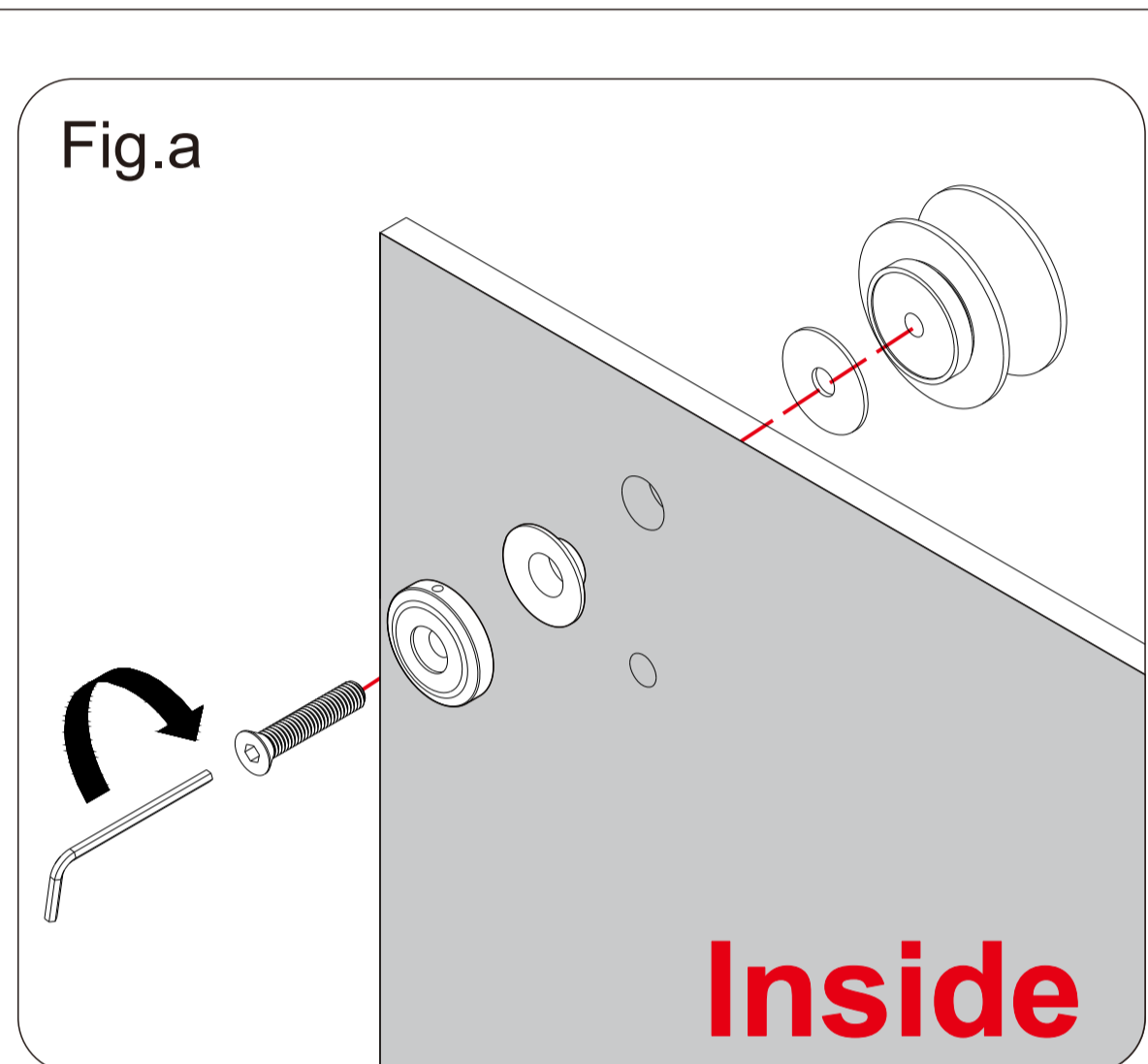
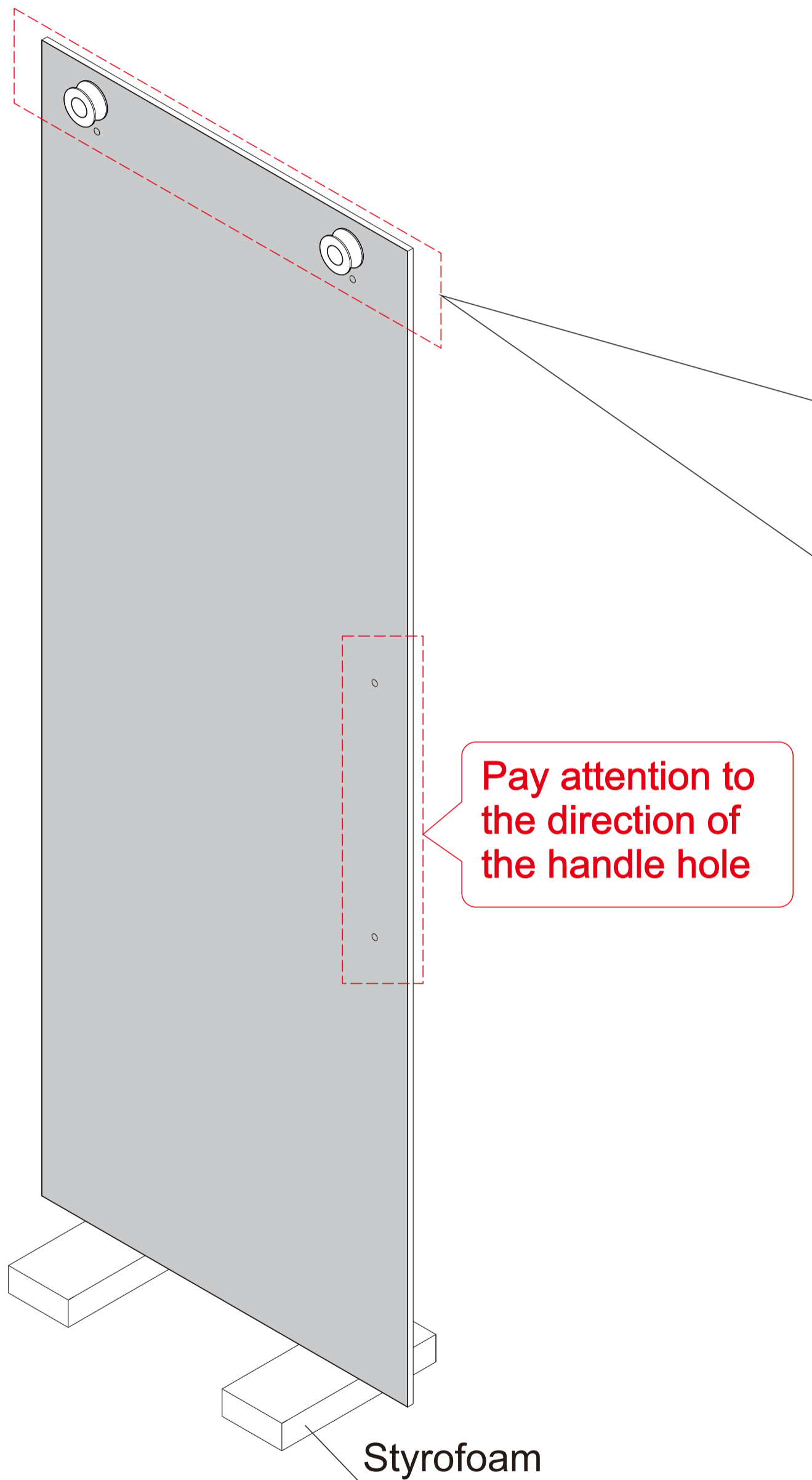
## 11 Install Stationary Glass (N)

**NOTE** 1. Install the **Stationary Glass(N)** to the **Wall Jamb(L)** as Fig.a .



## 12 Install Roller(G)

**NOTE** 1. Install the **Roller(G)** on the **Glass Door(D)** and faces outside as Fig.a and Fig.b .



**Note:** The shower door can be installed left or right, according to the need to determine the installation direction.

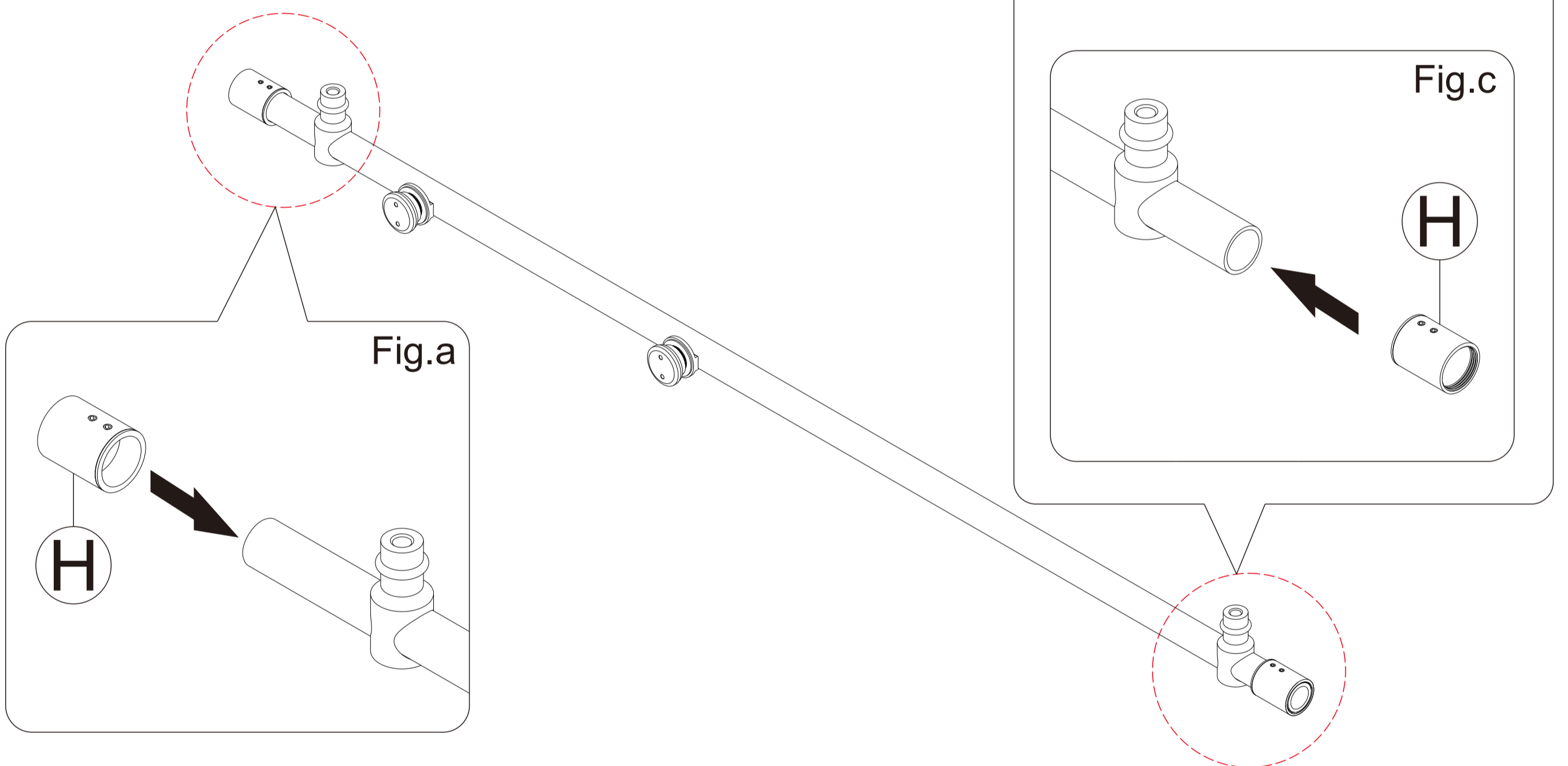


**CAUTION:** Do not put glass directly on the ground

**13** Install the **Guide Rail Brackets(H)**

**NOTE**

1. Install the **Guide Rail Brackets(H)** on the **Upper Guide Rail(I)** as Fig.a .
2. Take out the right **Guide Rail Brackets(H)** base, and then install the **Guide Rail Brackets(H)** on the **Upper Guide Rail(I)** as Fig.b and Fig.c .



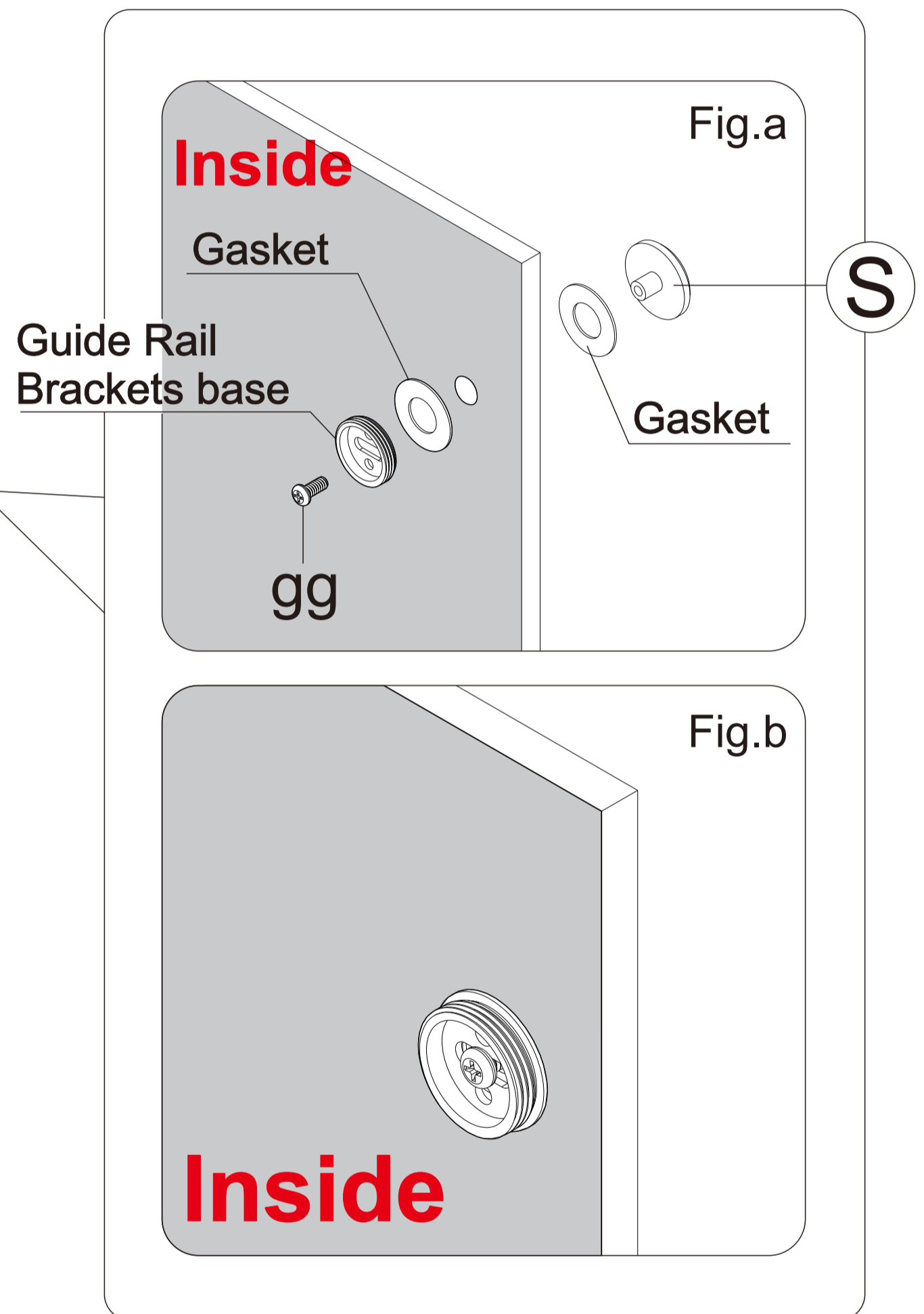
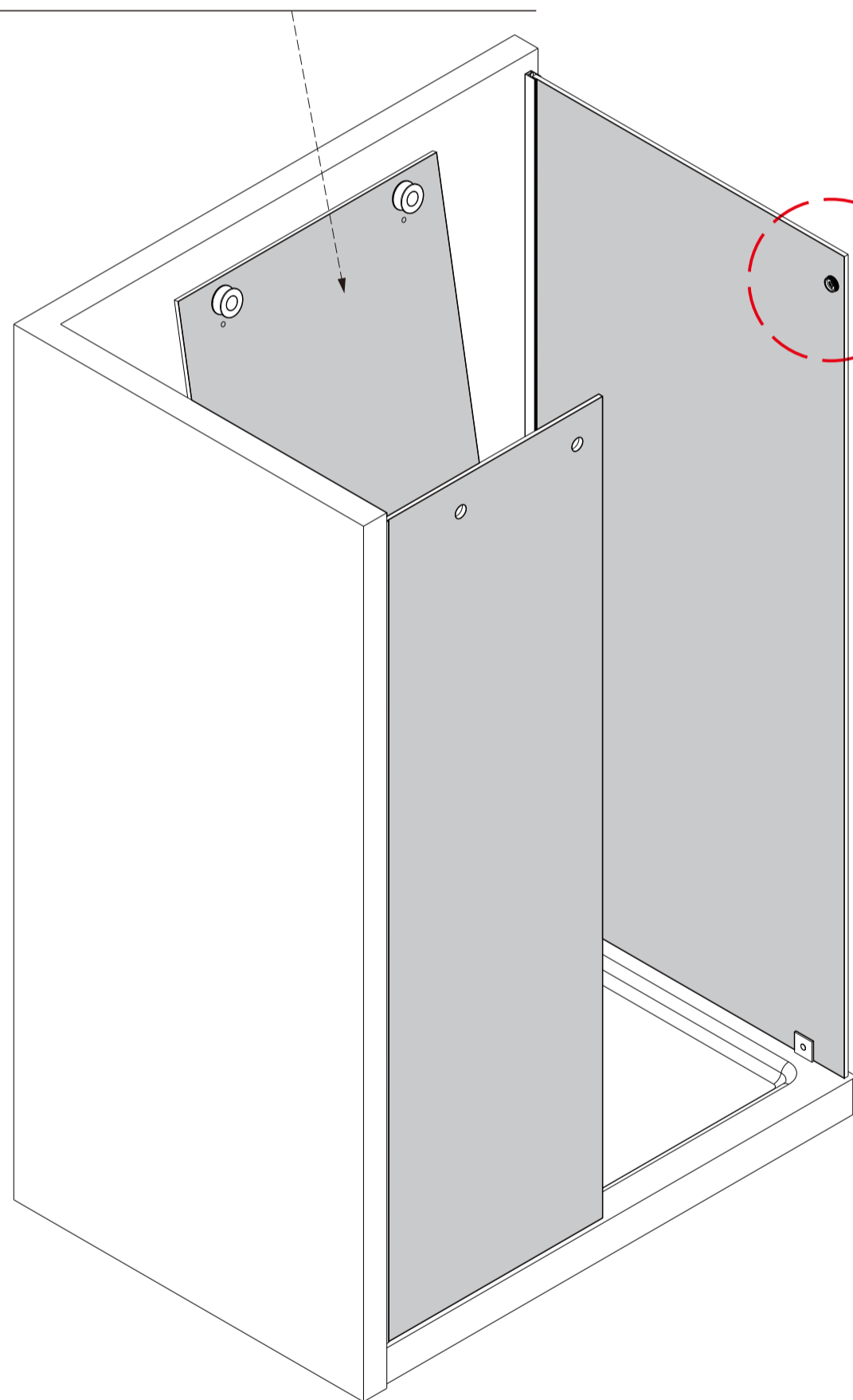
**Note:** The shower door can be installed left or right, according to the need to determine the installation direction.

**14** Install the **Guide Rail Brackets(H)** base

**NOTE**

1. Install the **Guide Rail Brackets(H)** base on the **Return panel glass(R)** with **Screws (gg)** and **Bumper Strip(S)**, remember to install the spacer as Fig.a and Fig.b .
2. The glass door is placed in the shower room in advance for subsequent installation

Lay the glass on a soft padded surface!



**Note:** The shower door can be installed left or right, according to the need to determine the installation direction.

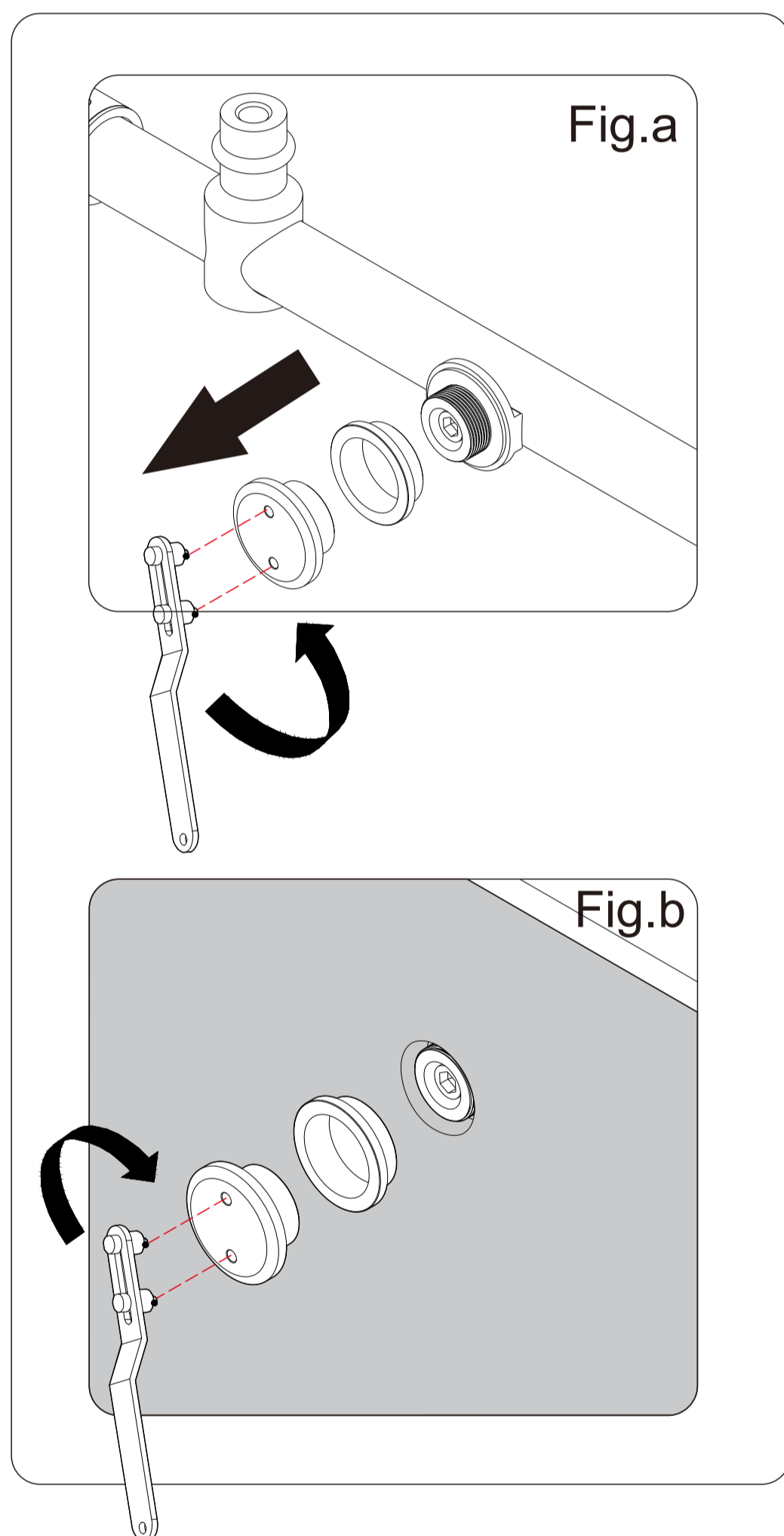


**CAUTION:** Do not put glass directly on the ground

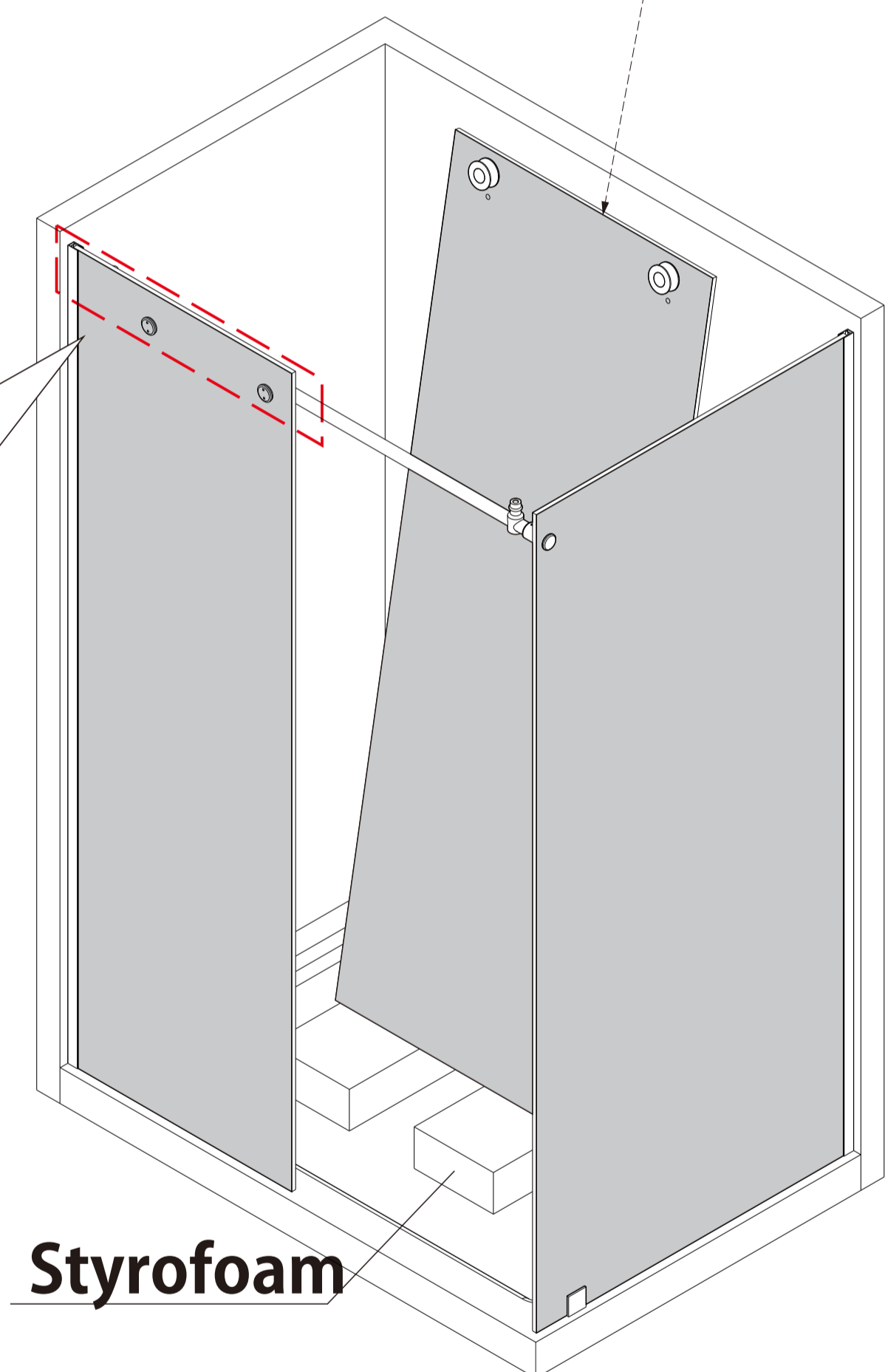
## 15 Install the Upper Guide Rail(I)

NOTE

1. Take out the **Glass Brackets(J)** with a special wrench, and install the **Glass Brackets(J)** on the **Stationary Glass(N)**, thereby fixing the **Upper Guide Rail(I)** as Fig.a and Fig.b .
2. Note: Make sure there is an installation gasket.
3. The glass door is placed in the shower room in advance for subsequent installation



Lay the glass on a soft padded surface!



Note: The shower door can be installed left or right, according to the need to determine the installation direction.

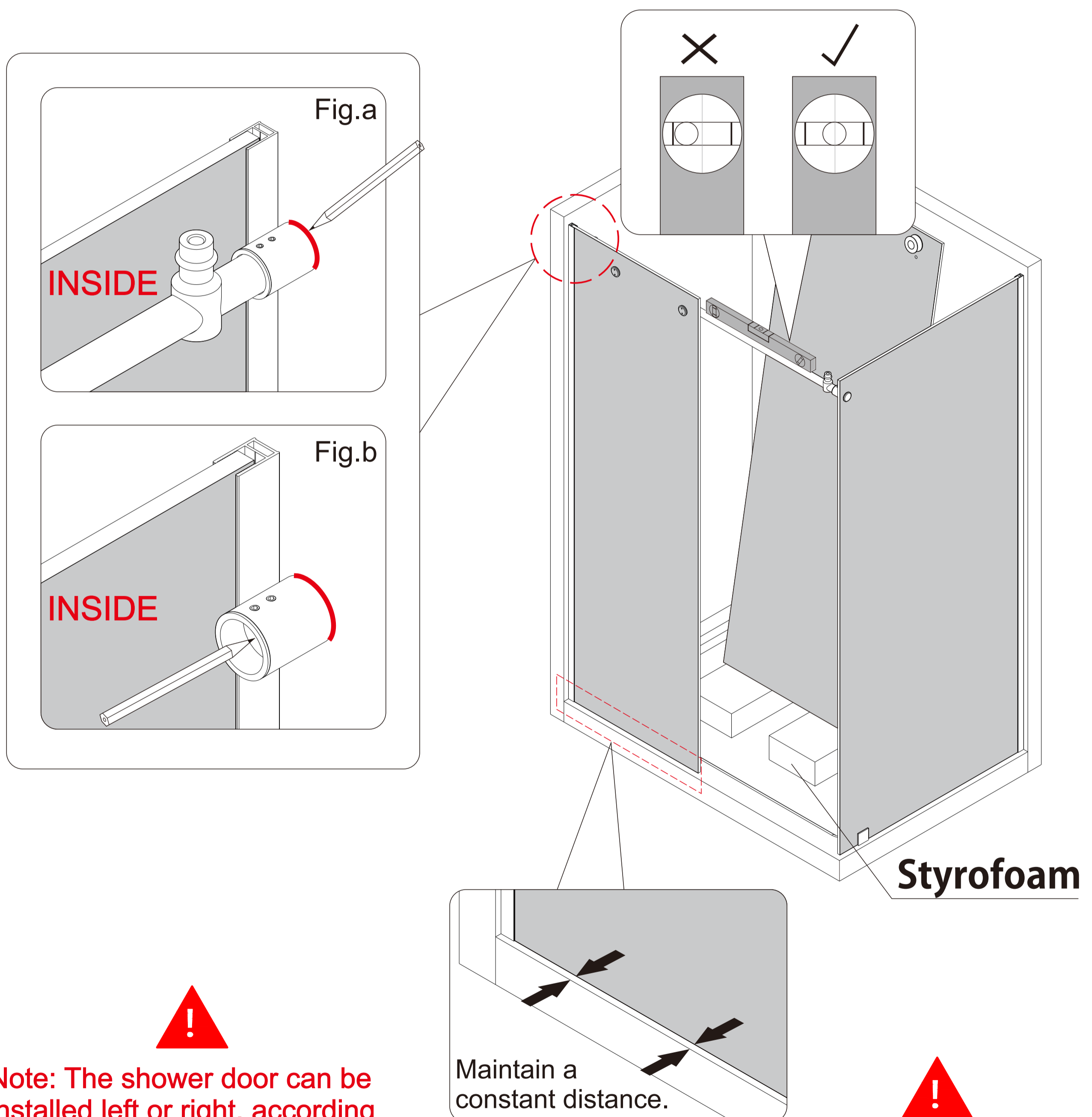


CAUTION: Do not put glass directly on the ground

## 16 Mark the location of the **Guide Rail Brackets(H)**

NOTE

1. Make sure that the **Upper Guide Rail(I)** is level and mark the position of the **Guide Rail Brackets(H)** with a pencil as Fig.a.
2. Remove the **Upper Guide Rail(I)**, place the **Guide Rail Brackets(H)** in the marked position, and mark the hole of the **Guide Rail Brackets(H)** base as Fig.b.



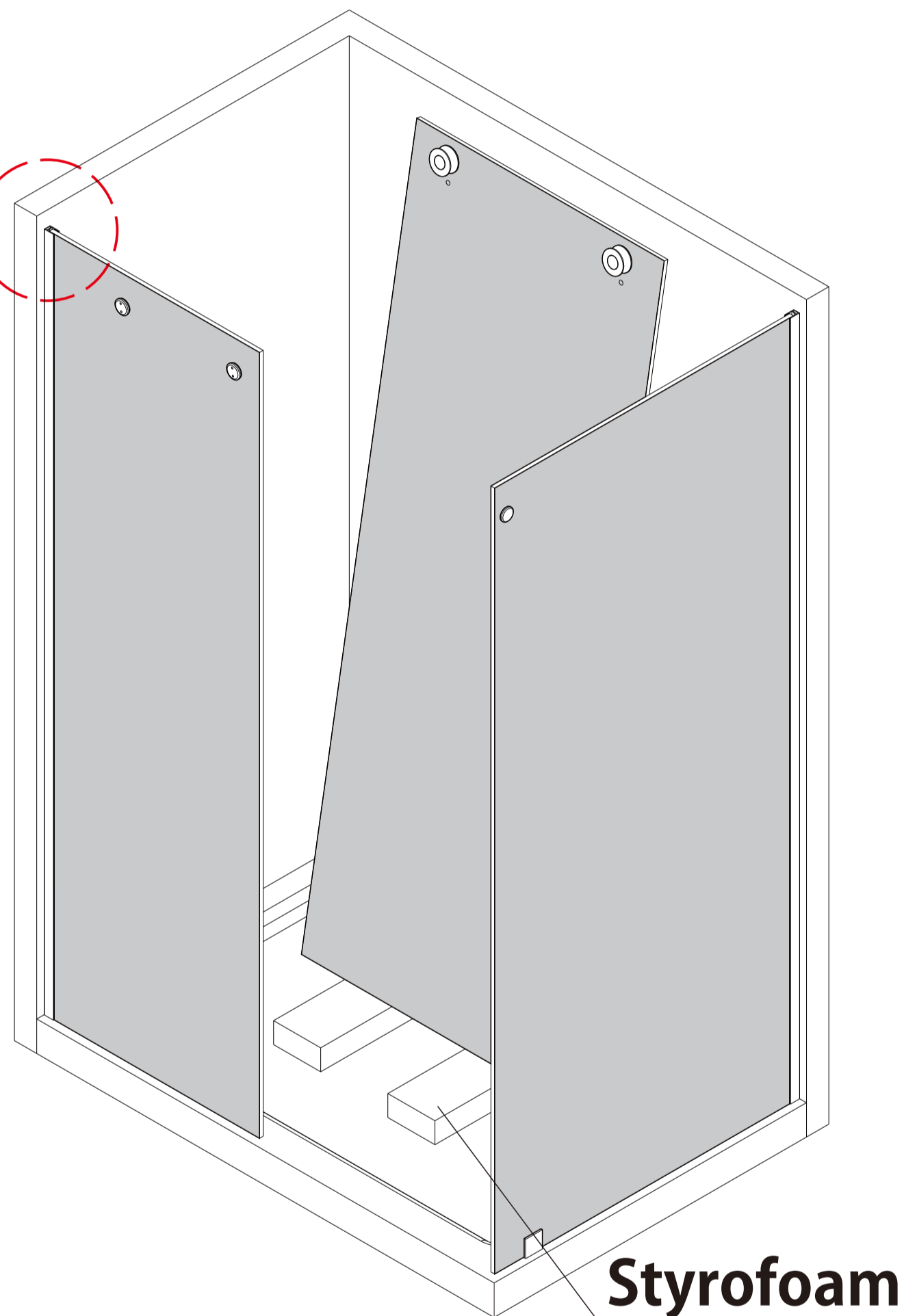
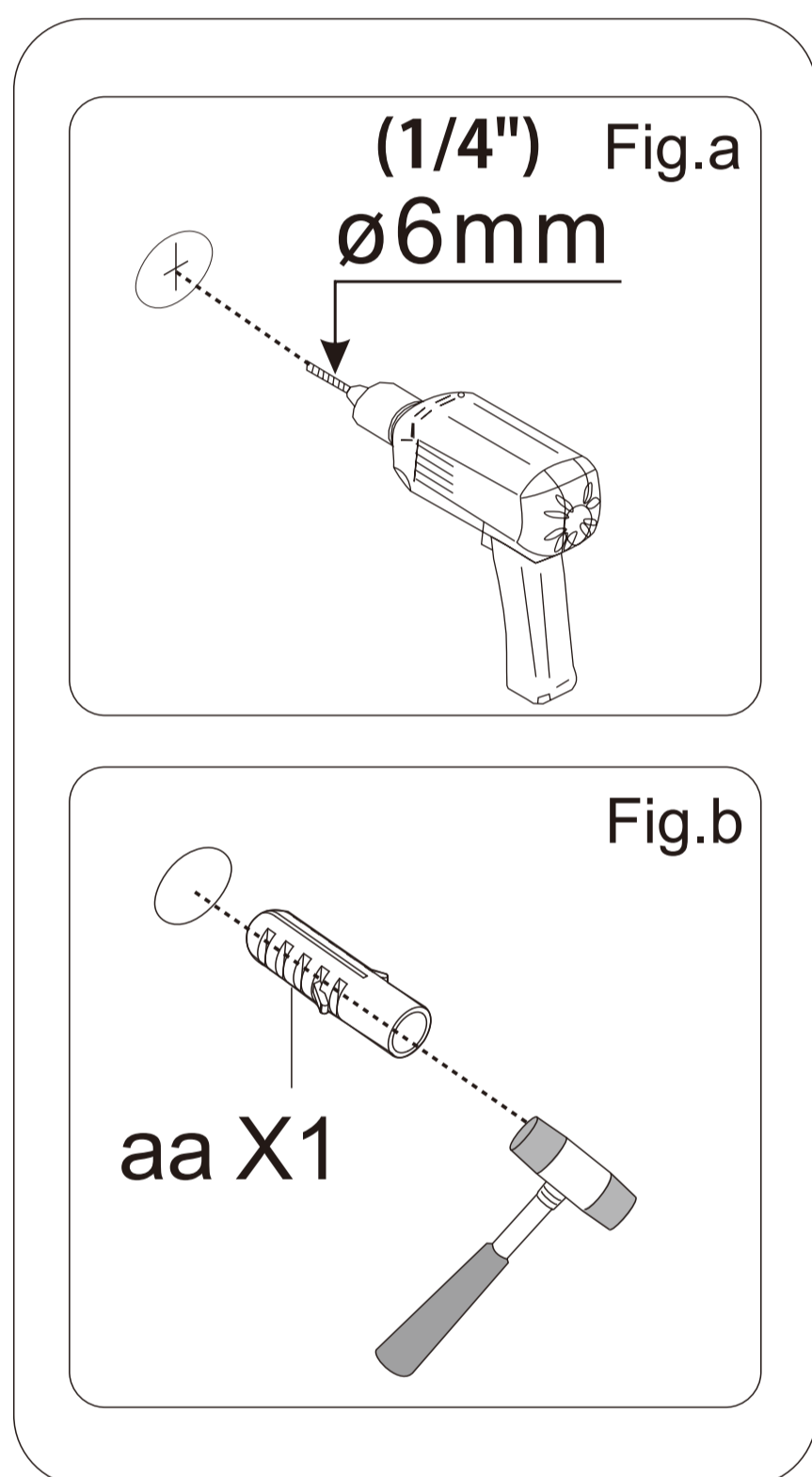
**Note:** The shower door can be installed left or right, according to the need to determine the installation direction.

**CAUTION:** Do not put glass directly on the ground

## 17 Drill holes for base

NOTE

1. Drill holes with  $\Phi 6\text{mm}$  (1/4") drill bit as Fig.a .
2. Insert in **Wall Anchors(aa)** as Fig.b .



Note: The shower door can be installed left or right, according to the need to determine the installation direction.

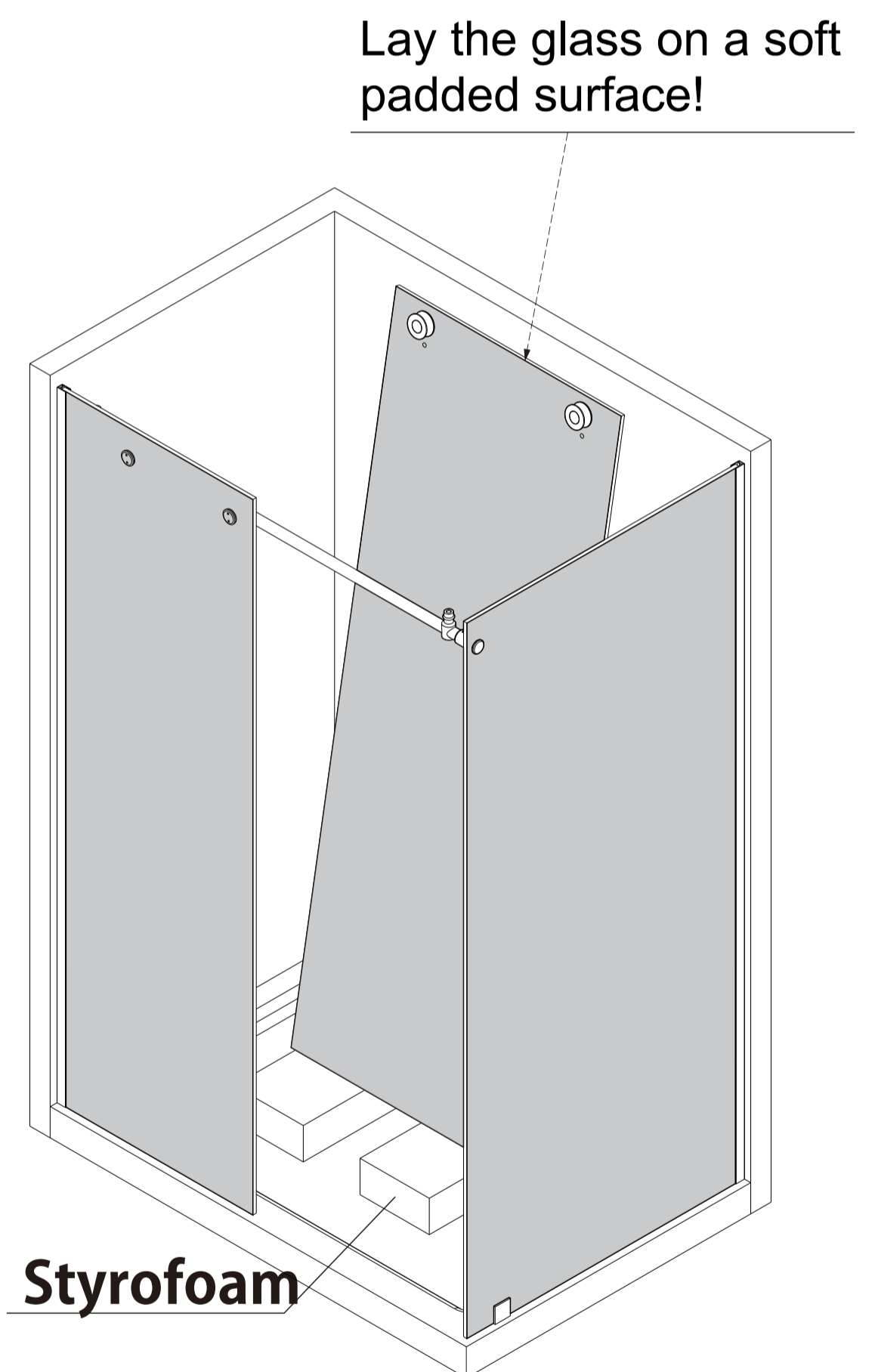
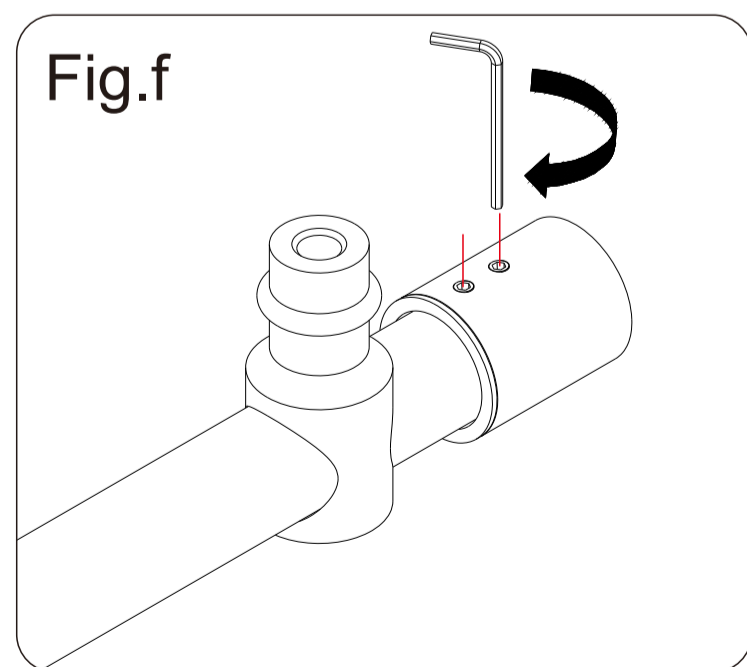
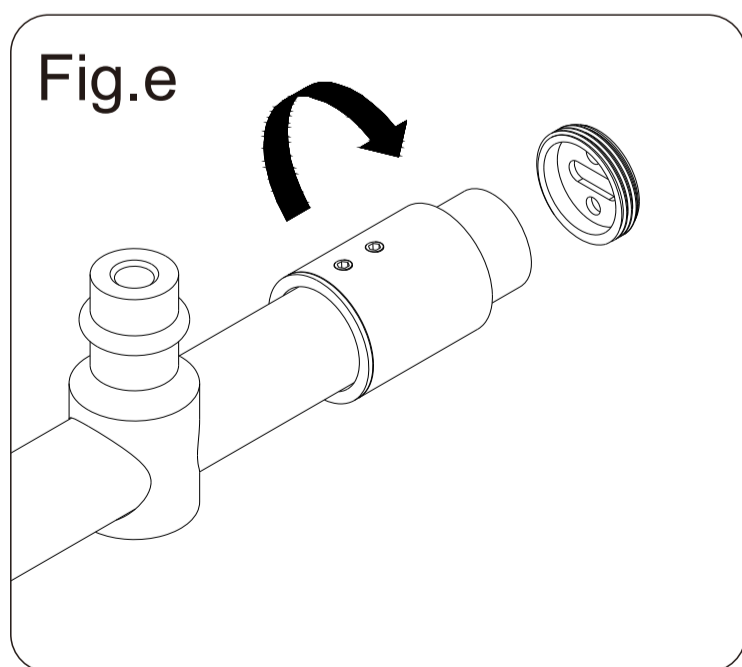
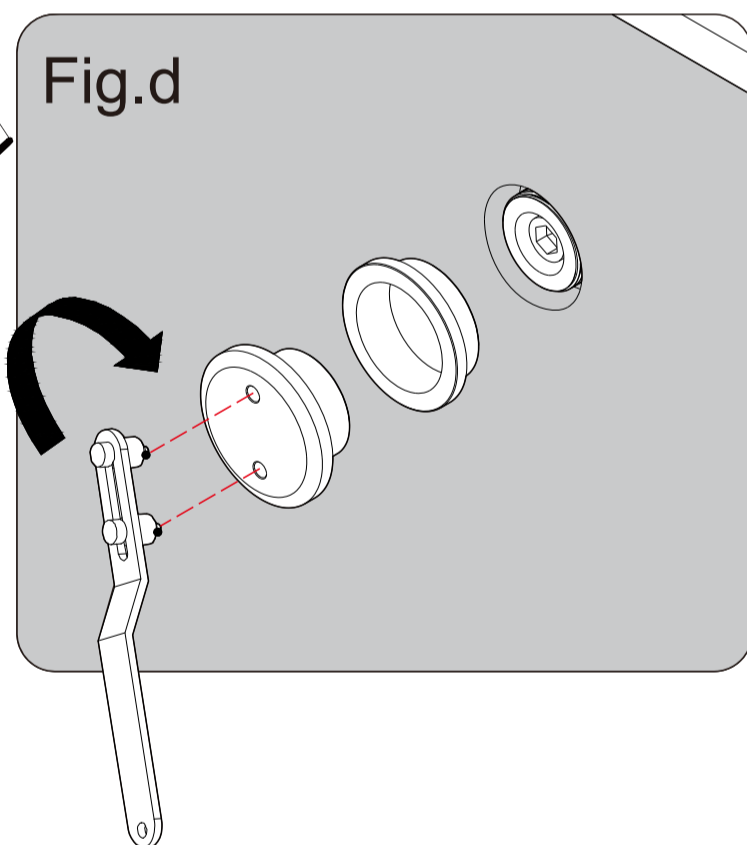
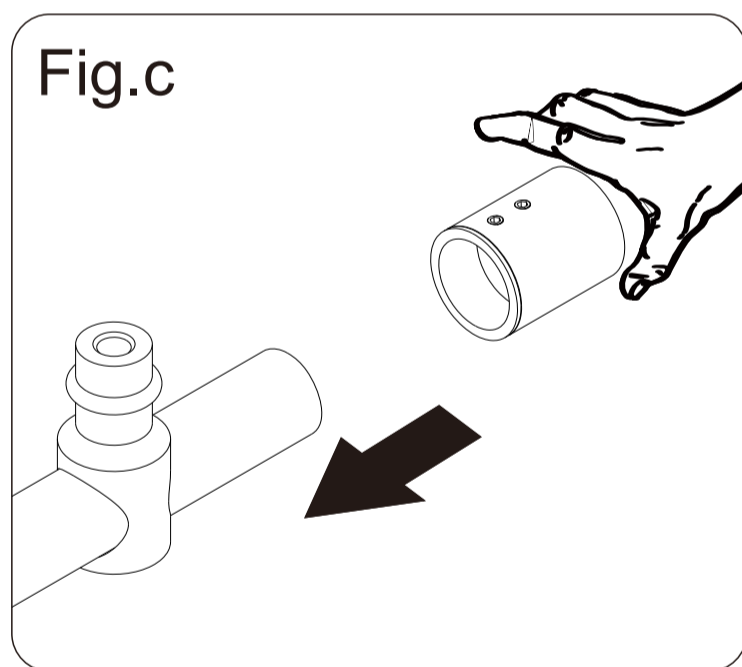
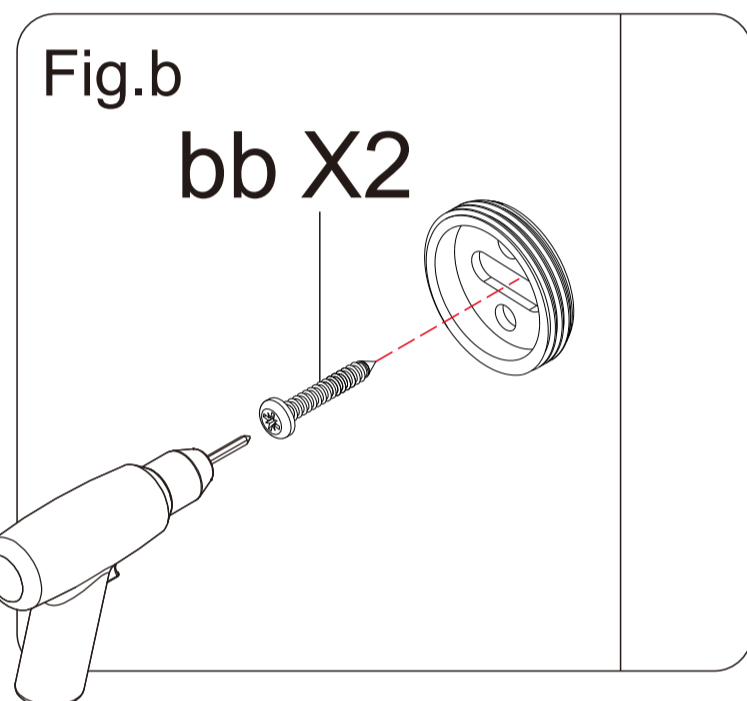
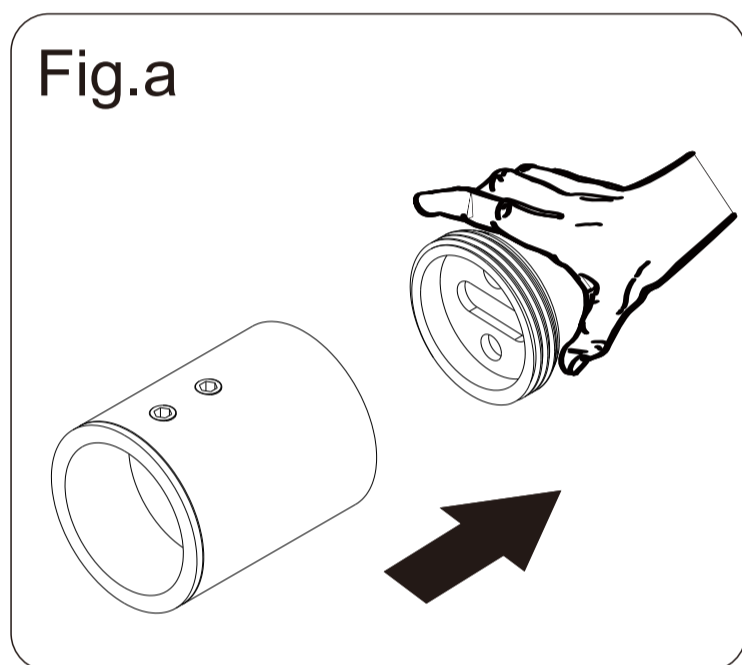
NOTE

- If a Stud is present behind the wall: drill  $\Phi 1/8"$  (3mm) pilot holes into the stud and use the ST4.0x30mm **Screws(bb)**  
OR
- If NO Stud is present behind the wall: drill  $\Phi 1/4"$  (6mm) holes and insert the **Wall Anchors(aa)** and use the ST4.0x30mm **Screws(bb)**.

**18** Install the **Upper Guide Rail(I)**

**NOTE**

1. Take out the **Guide Rail Brackets(H)** bottom cap as Fig.a .
2. Secure the bottom cap with **Screws(bb)** as Fig.b .
3. Attach the **Guide Rail Brackets(H)** to the **Upper Guide Rail(I)** as Fig.c .
4. Secure the **Upper Guide Rail(I)** to the **Stationary Glass(N)** with the **Glass Brackets(J)** as Fig.d .
5. Hand tighten the **Guide Rail Brackets(H)** onto the bottom cap as Fig.e .
6. Secure the **Guide Rail Brackets(H)** with a hex wrench as Fig.f .



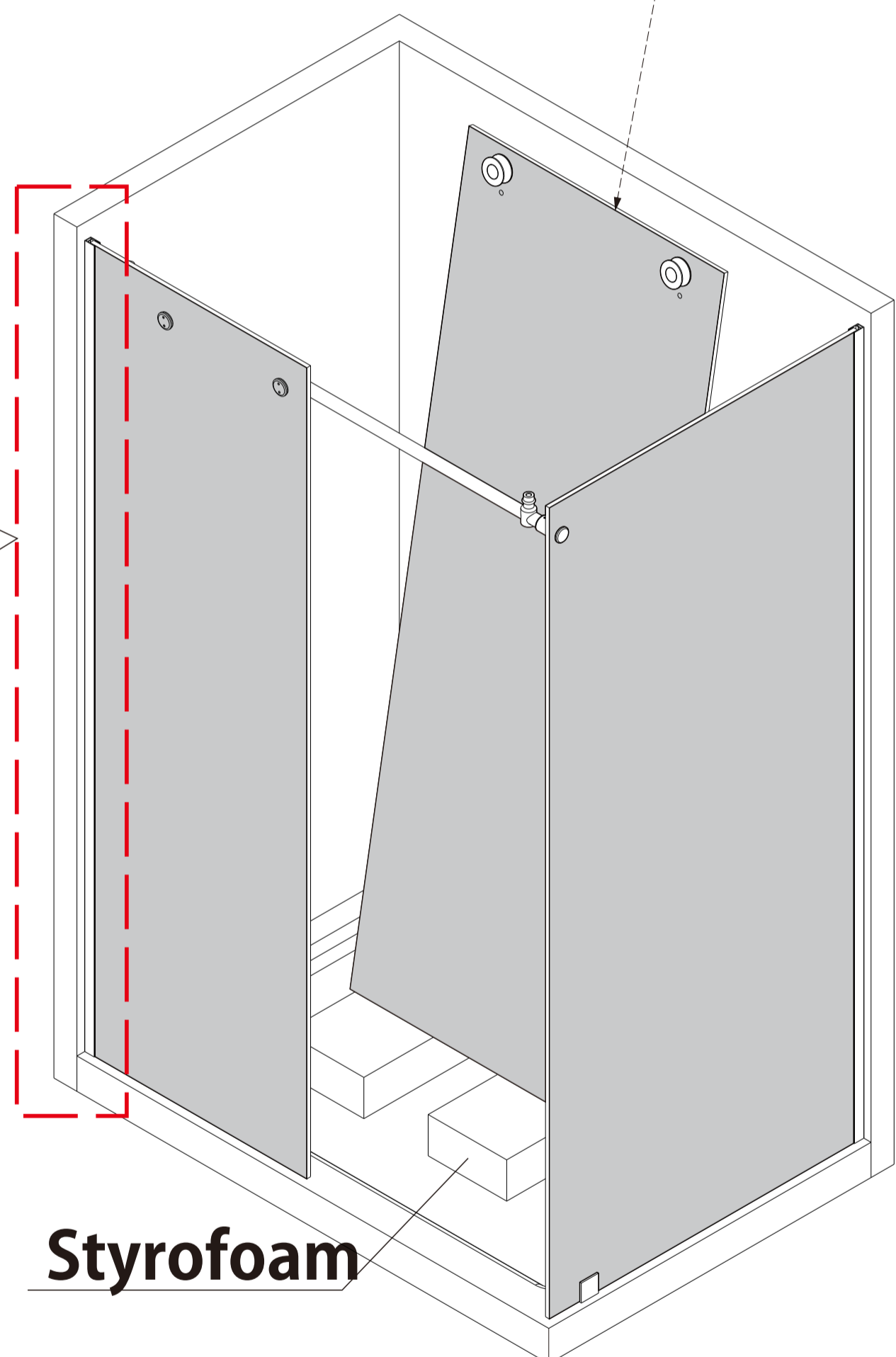
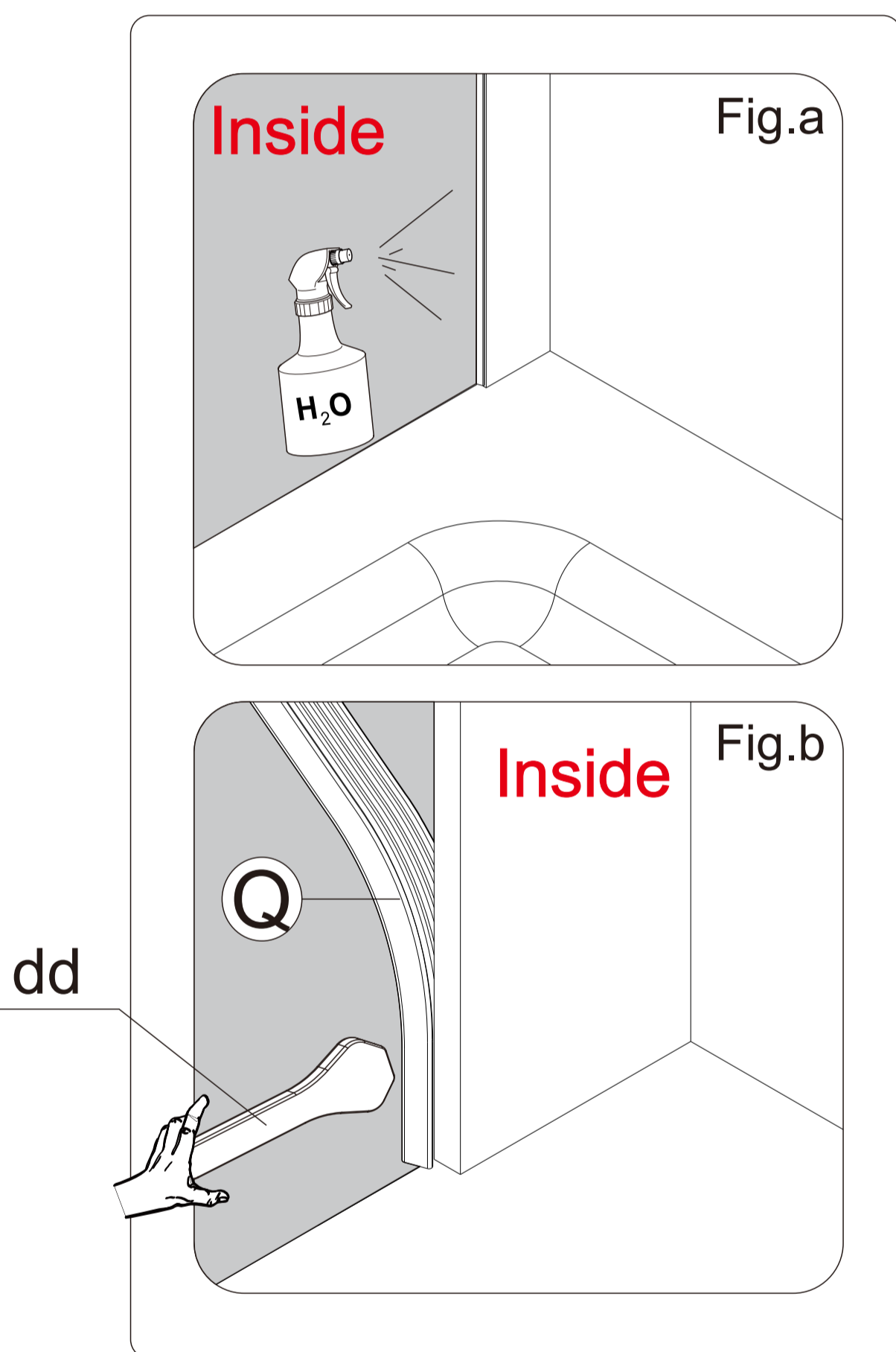
**CAUTION: Do not put glass directly on the ground**

## 19 Insert Wedge Seal(Q)

NOTE

1. Spray water on the **Stationary Glass(N)** and the slot of **Wall Jamb(L)** as Fig.a.
2. Insert in the **Wedge Seal(Q)** Using the given Wedge seal install tool to press the **Wedge seal(Q)** and Fit it place as Fig.b.

Lay the glass on a soft padded surface!



Note: The shower door can be installed left or right, according to the need to determine the installation direction.



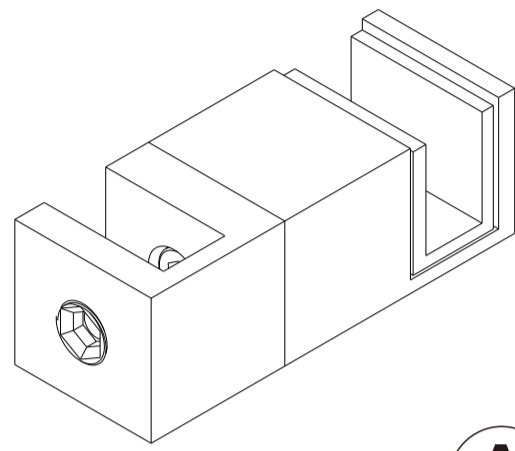
CAUTION: Do not put glass directly on the ground

## 20 Tips & Tricks

NOTE

Adjust the direction of the **Guide Block(A)** according to the installation direction of the shower room as Fig.a-f

Fig.a



Left

A

Fig.d

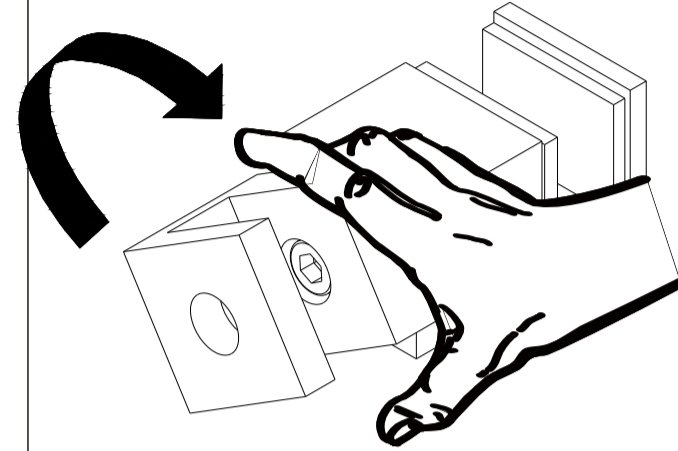


Fig.b

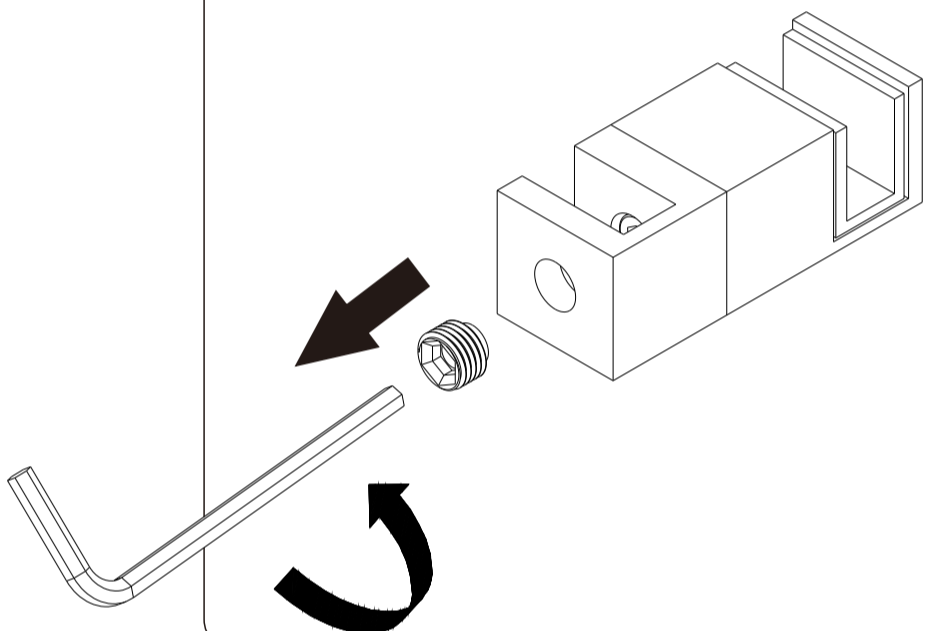


Fig.e

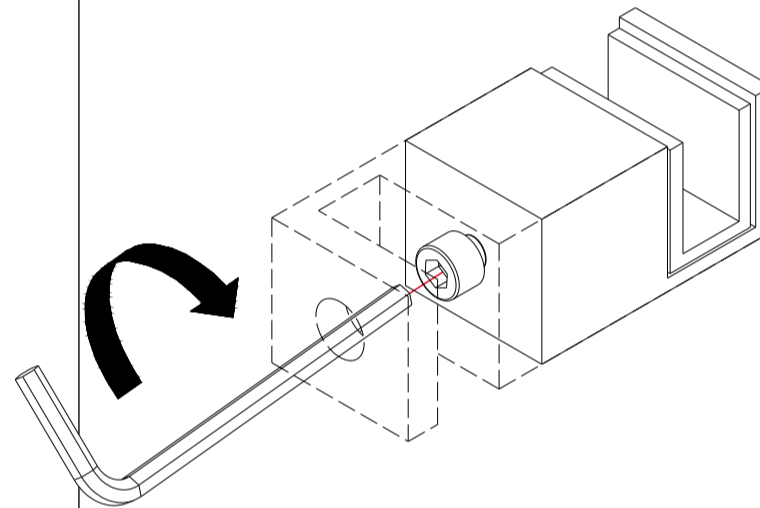


Fig.c

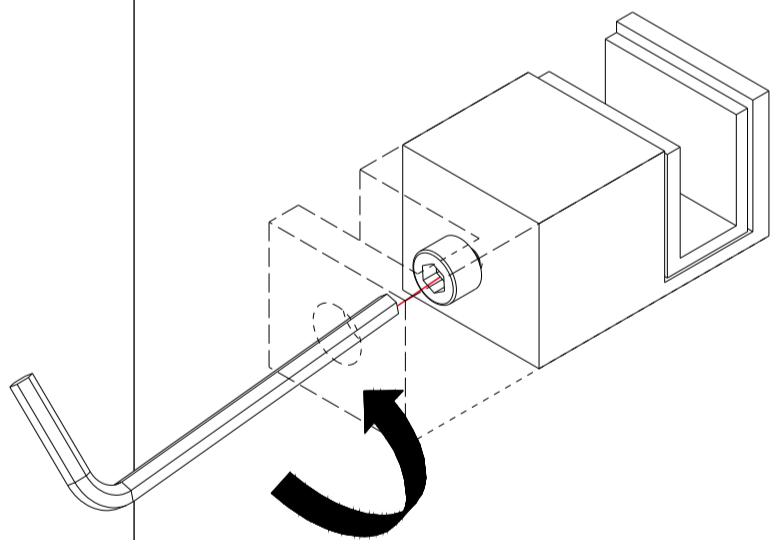


Fig.f

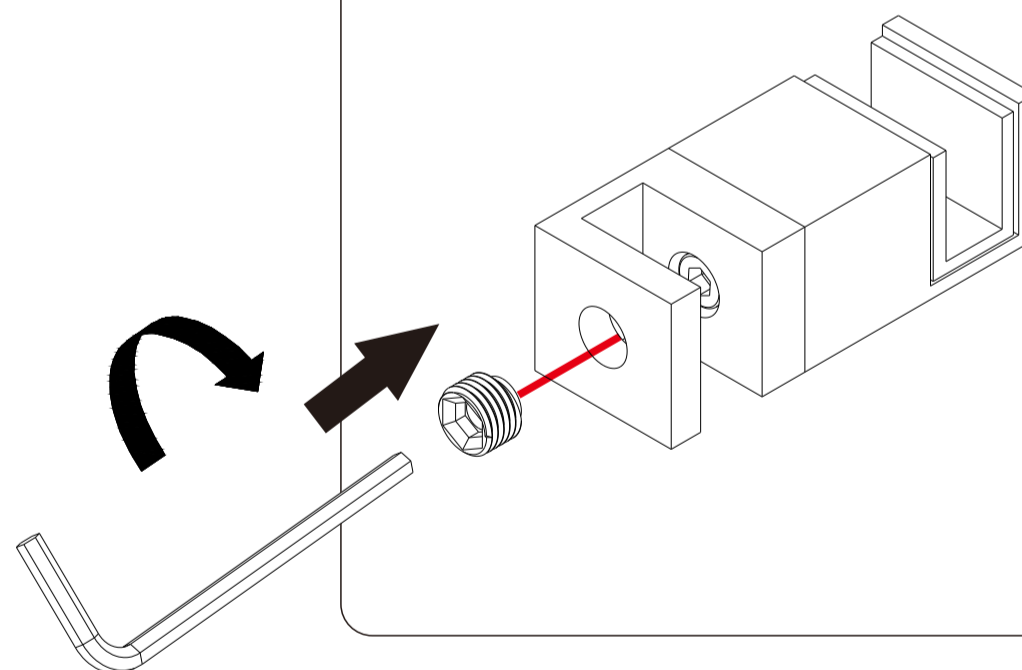
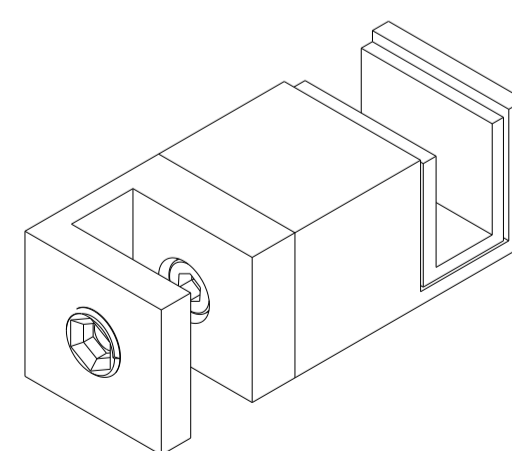


Fig.g



Right

A

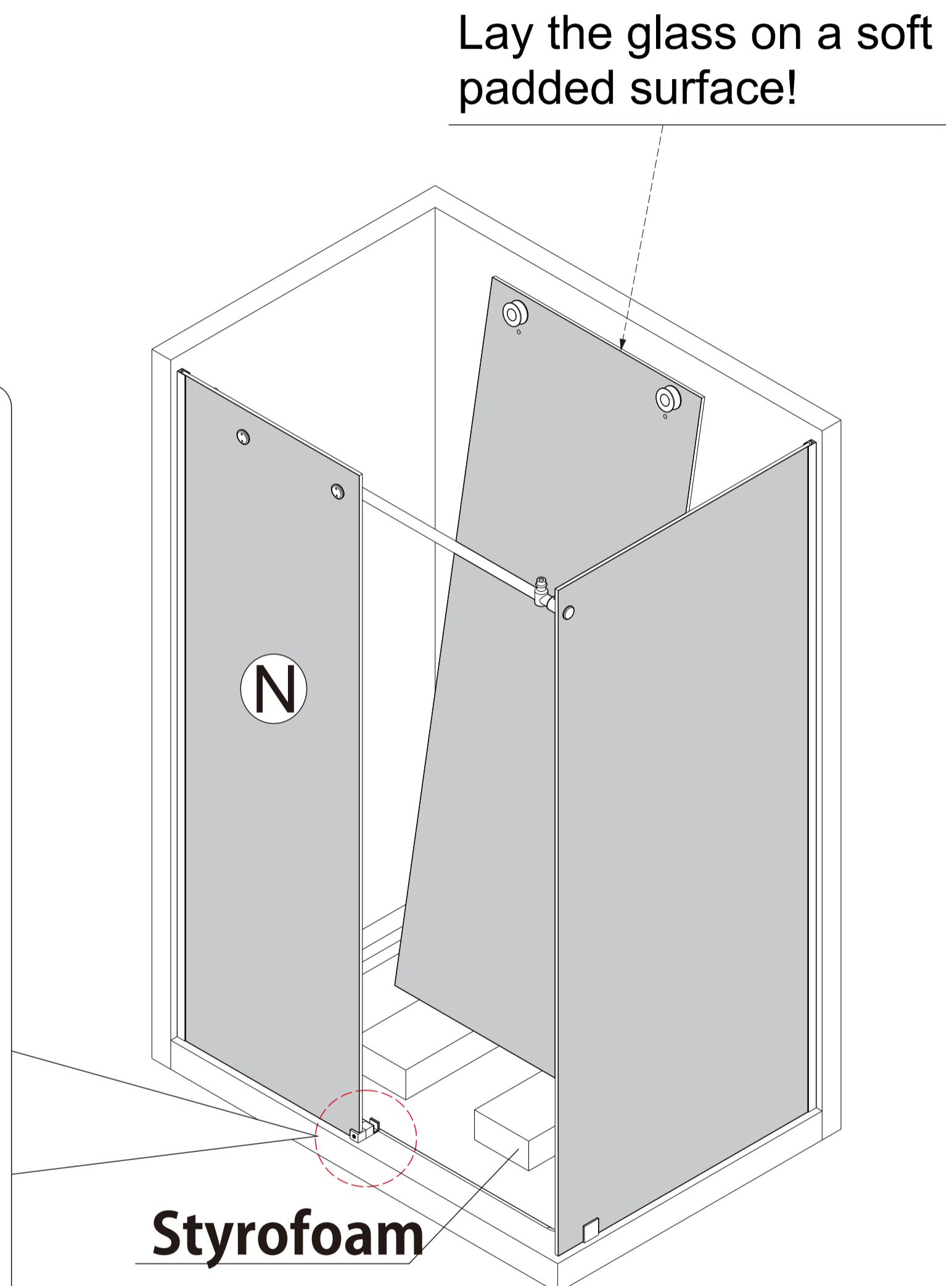
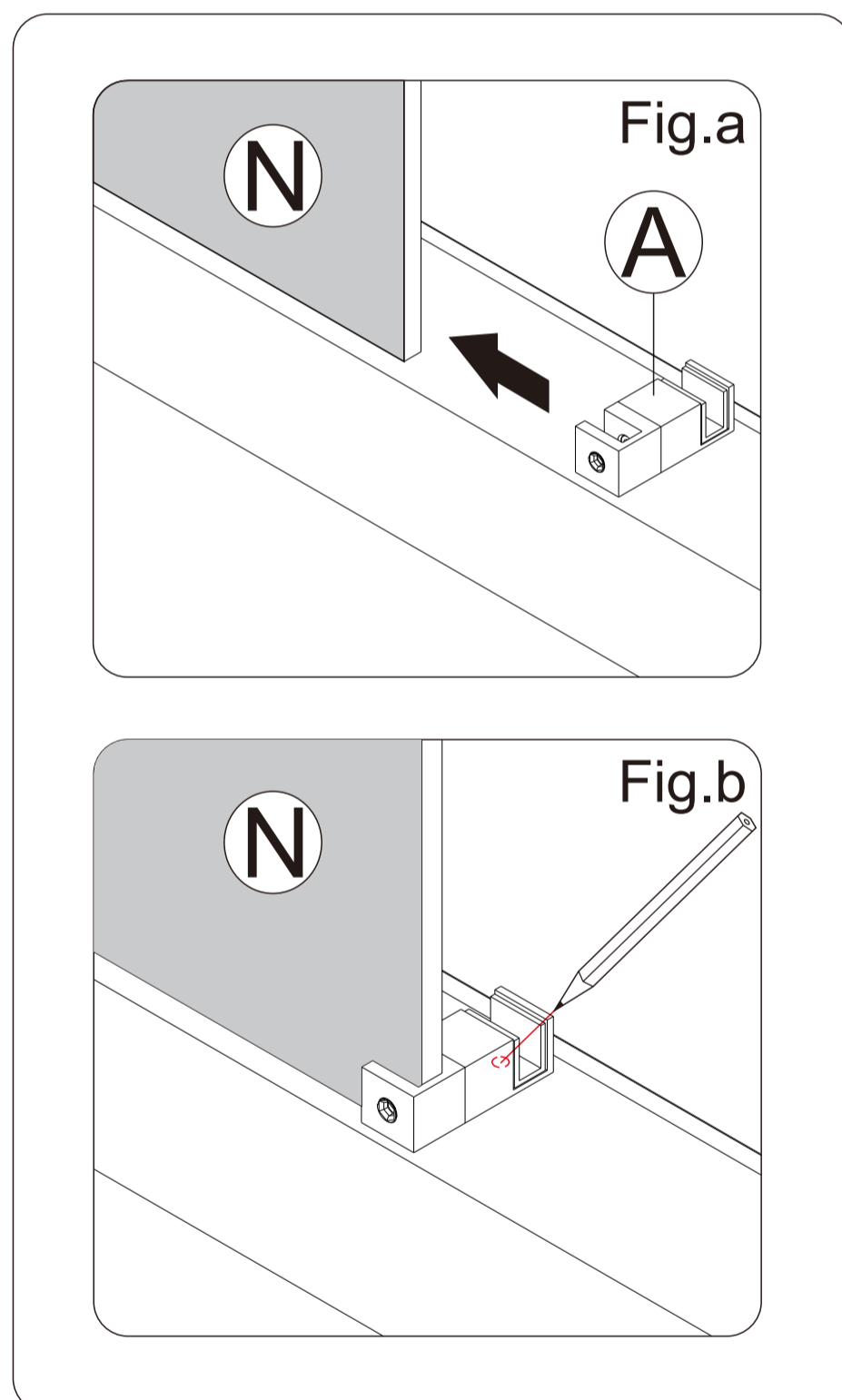


Note: The shower door can be installed left or right, according to the need to determine the installation direction.

## 21 Mark the holes in the **Guide Block(A)**

NOTE

1. Install the **Guide Block(A)** on the **Stationary glass(N)** as Fig.a .
2. Mark the holes in the **Guide Block(A)** with a pencil as Fig.b .

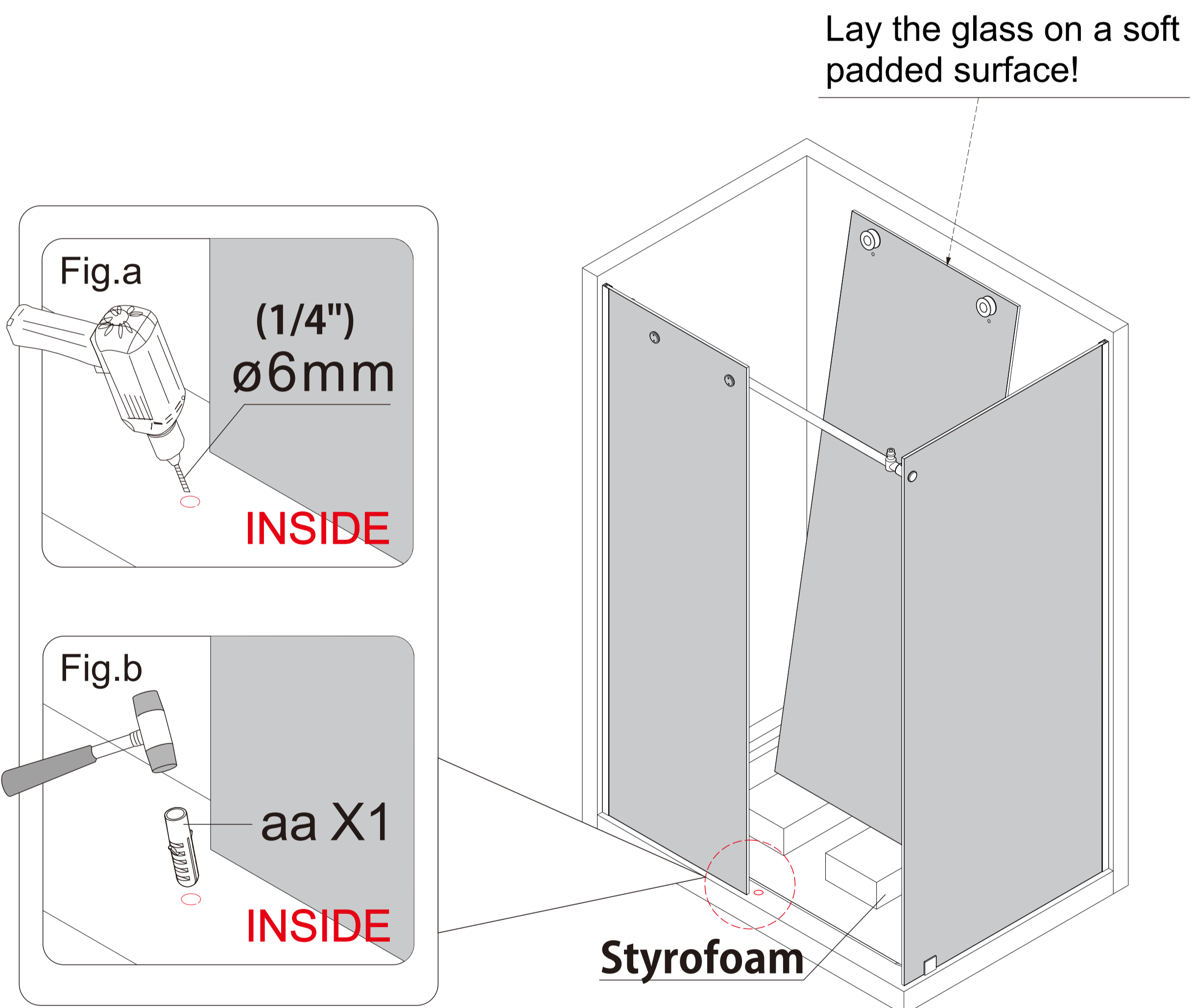


Note: The shower door can be installed left or right, according to the need to determine the installation direction.

## 22 Insert Wall Anchors(aa).

NOTE

1. Drill holes with  $\Phi 6\text{mm}$  ( $1/4''$ ) drill bit as Fig.a .
2. Insert **Wall Anchors(aa)** as Fig.b .



Note: The shower door can be installed left or right, according to the need to determine the installation direction.

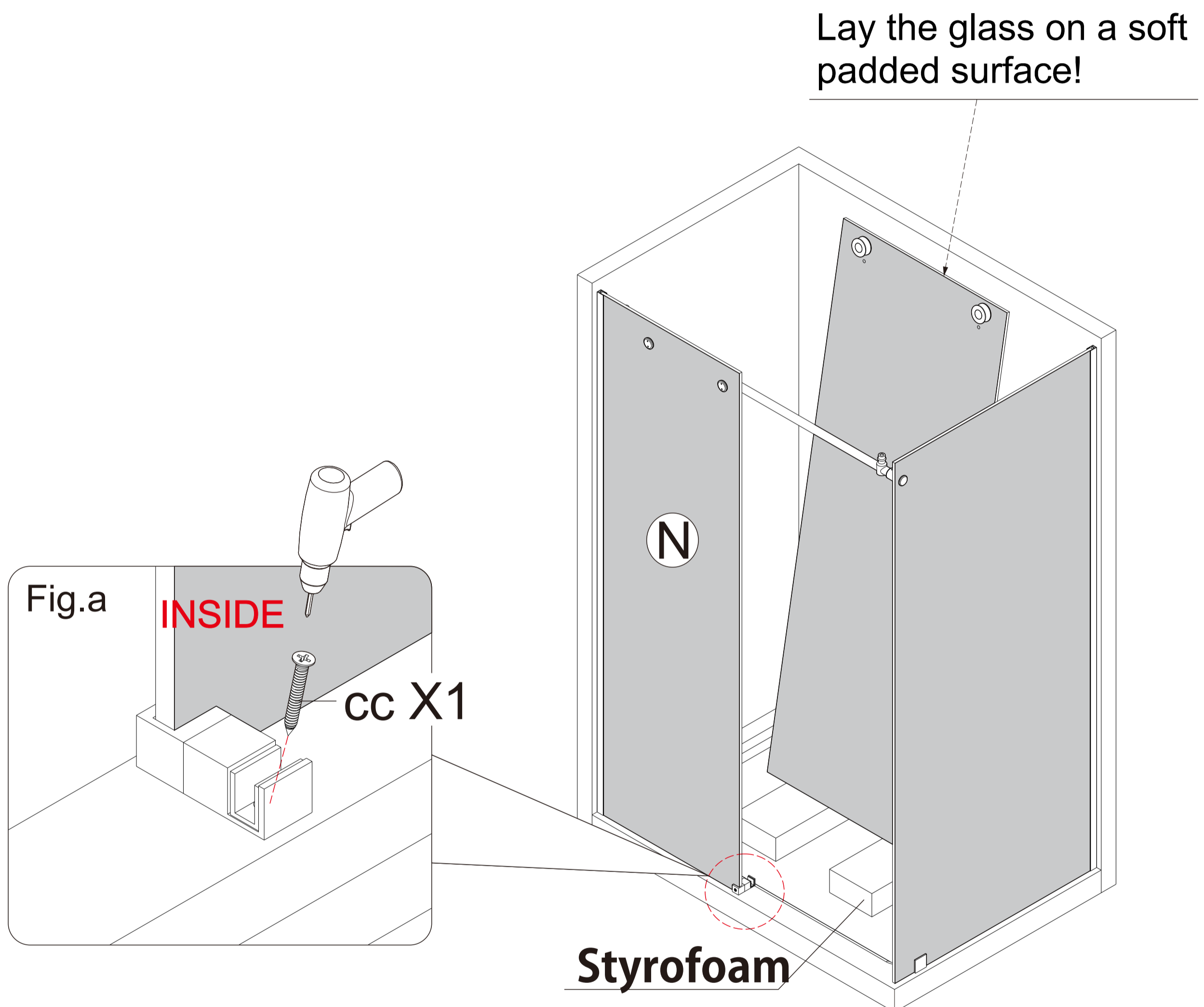


CAUTION: Do not put glass directly on the ground

## 23 Install Guide Block(Q)

NOTE

Secure the **Guide Block(Q)** with **Screws (cc)** as Fig.a .



Note: The shower door can be installed left or right, according to the need to determine the installation direction.

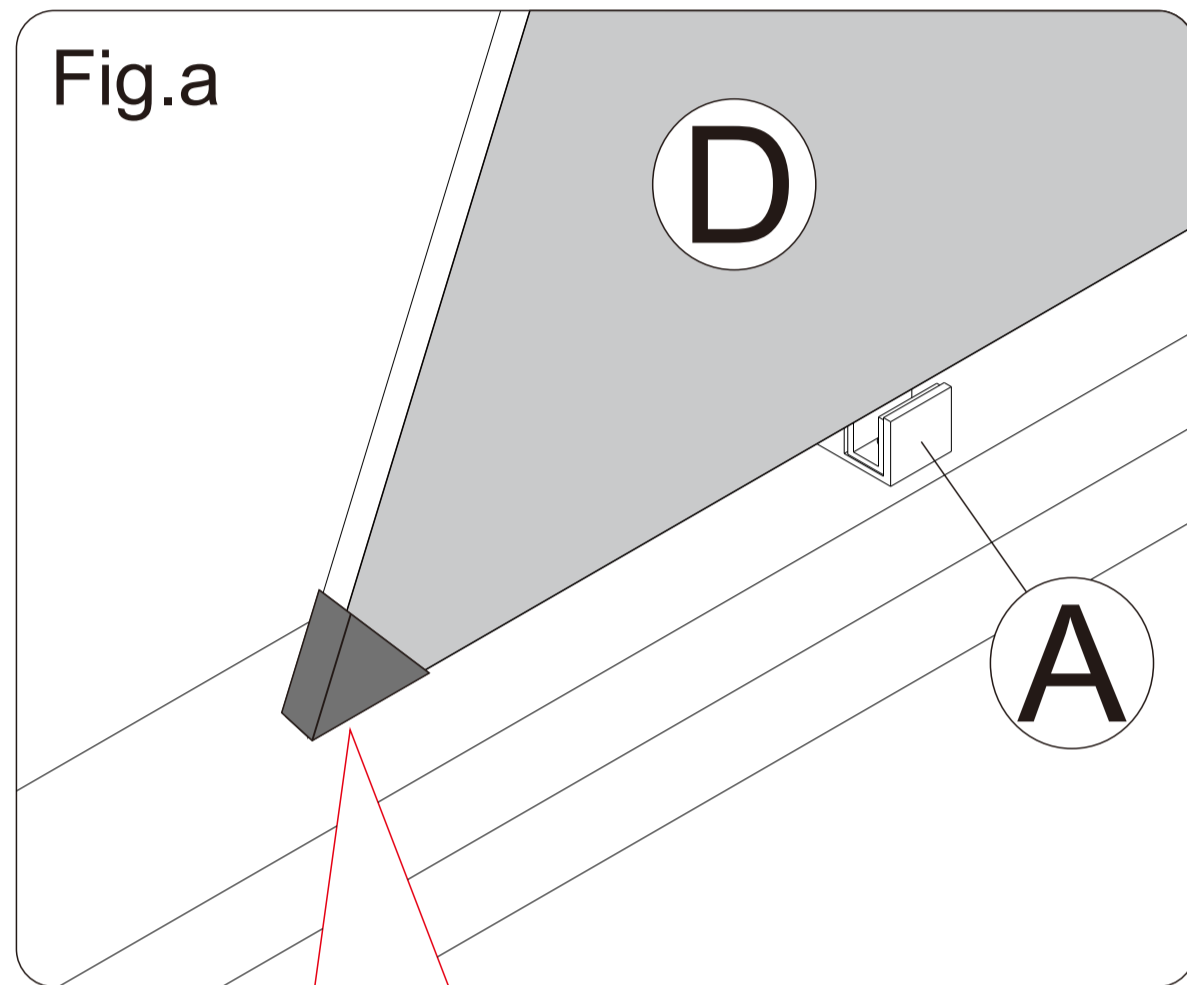
## 24 Install Glass Door(D)

NOTE

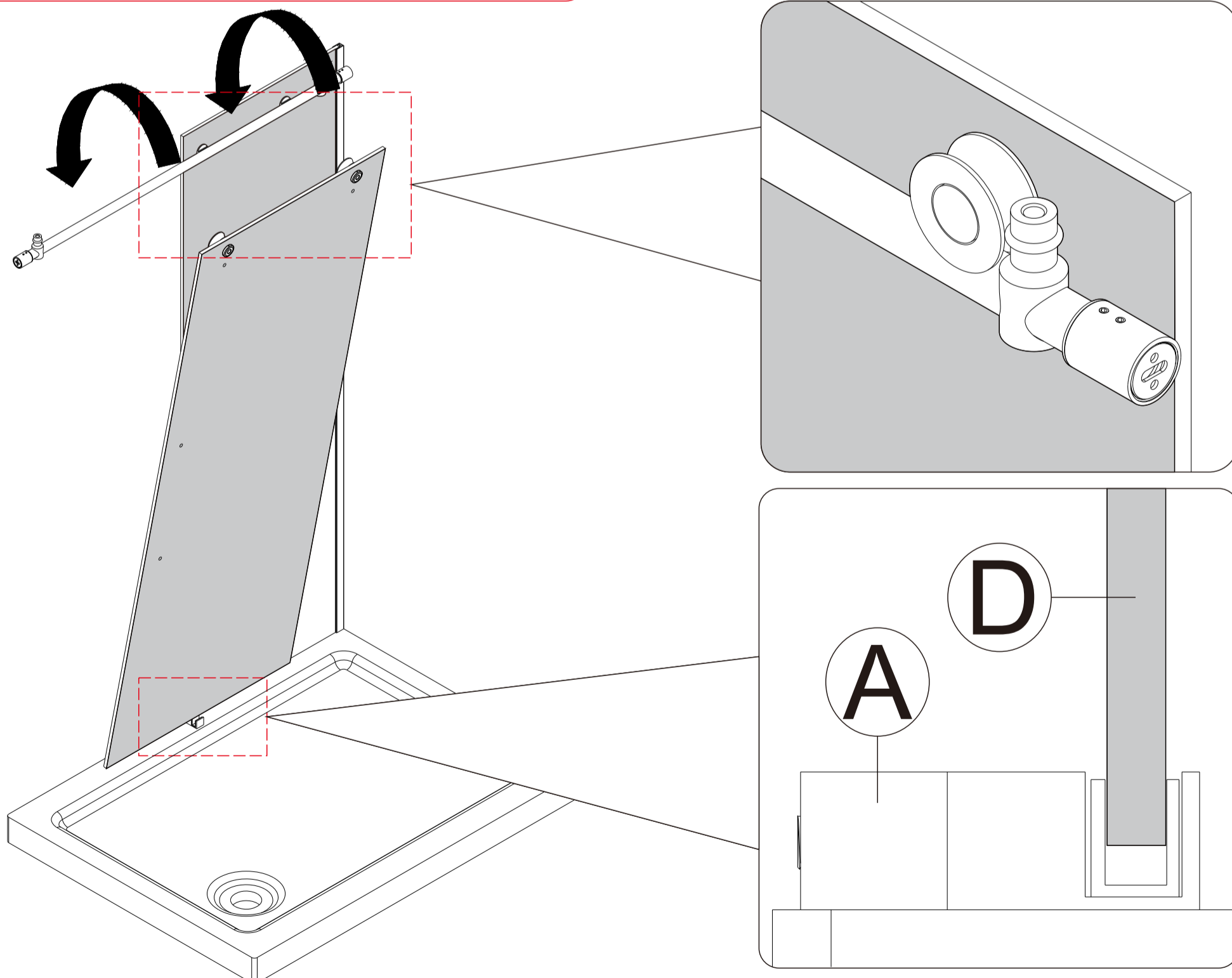
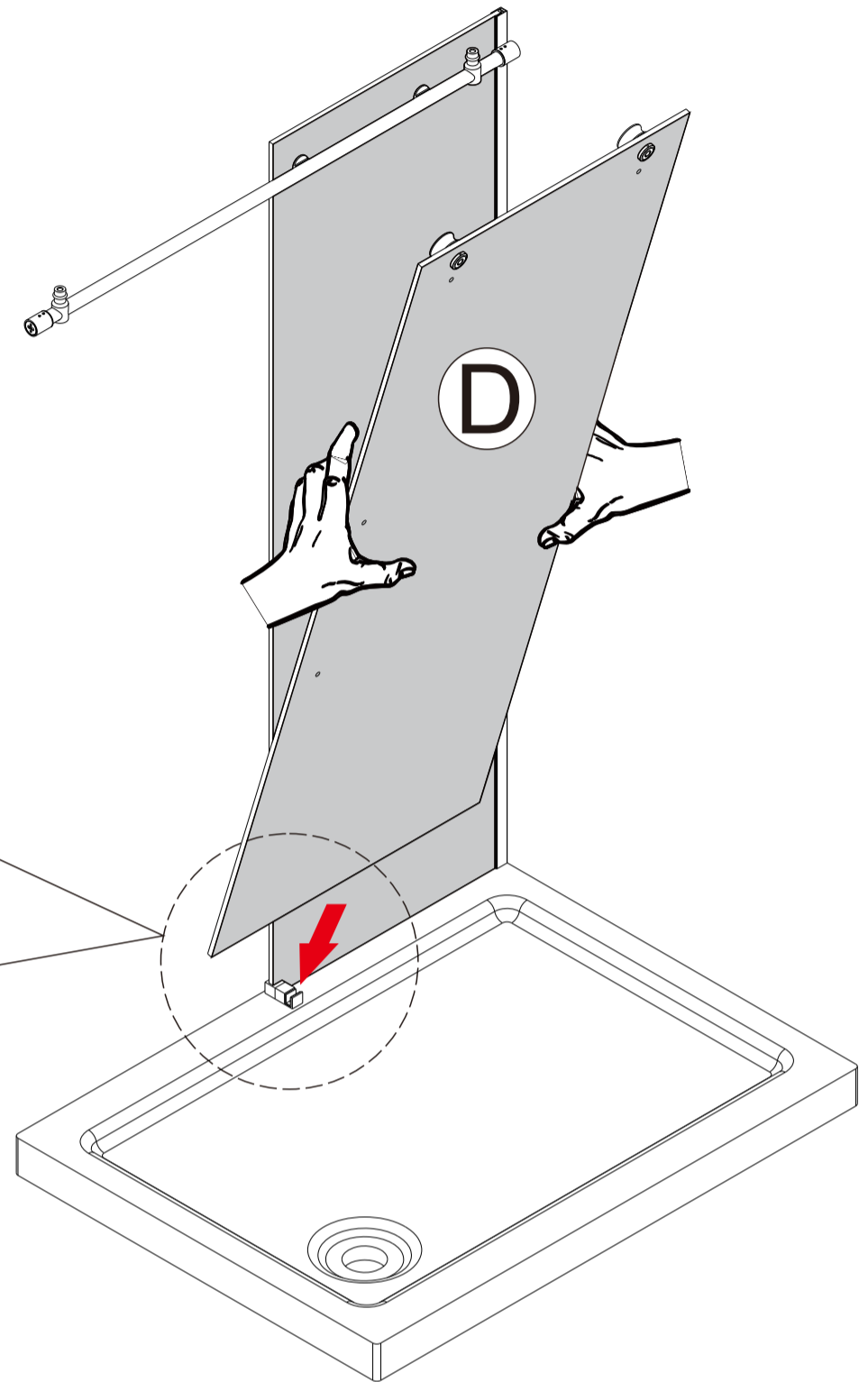
The **Glass Door (D)** is aligned with the **Guide Block(A)**, the **Rollers (G)** is hung on the **Upper Guide Rail (I)**, and the glass is inserted into the **Guide Block (A)** as Fig.a & Fig.b and Fig.c .



**CAUTION: Do not put glass directly on the ground**



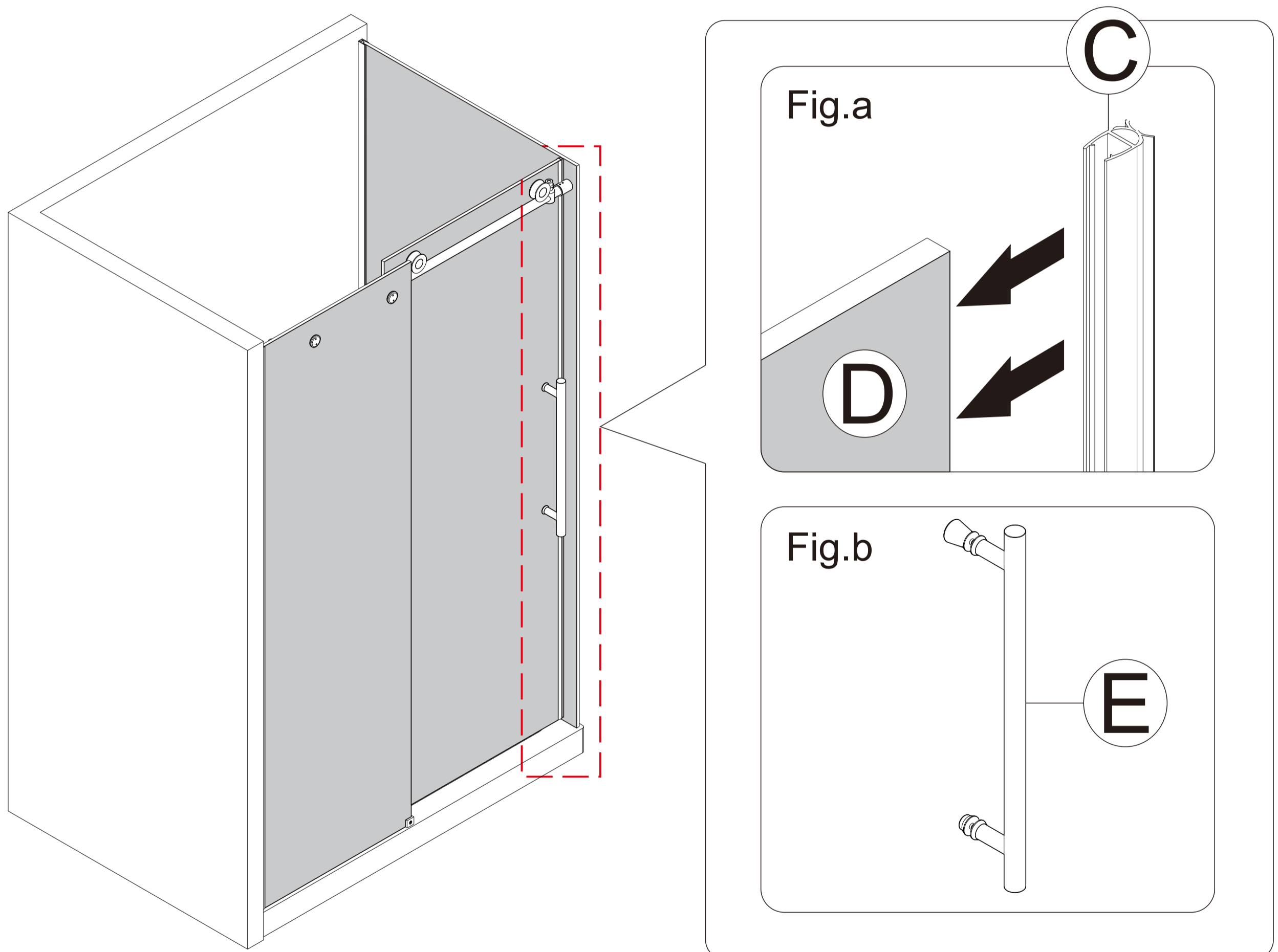
The glass corner protector needs to be placed on the glass to avoid breaking the glass



## 25 Install the **Bumper Strip(C)** and **Handles(E)**

NOTE

1. Install the **Bumper Strip(C)** on the **Glass Door(D)** as Fig.a .
2. Install the **Handle(E)** on the **Glass Door(D)** as Fig.b .

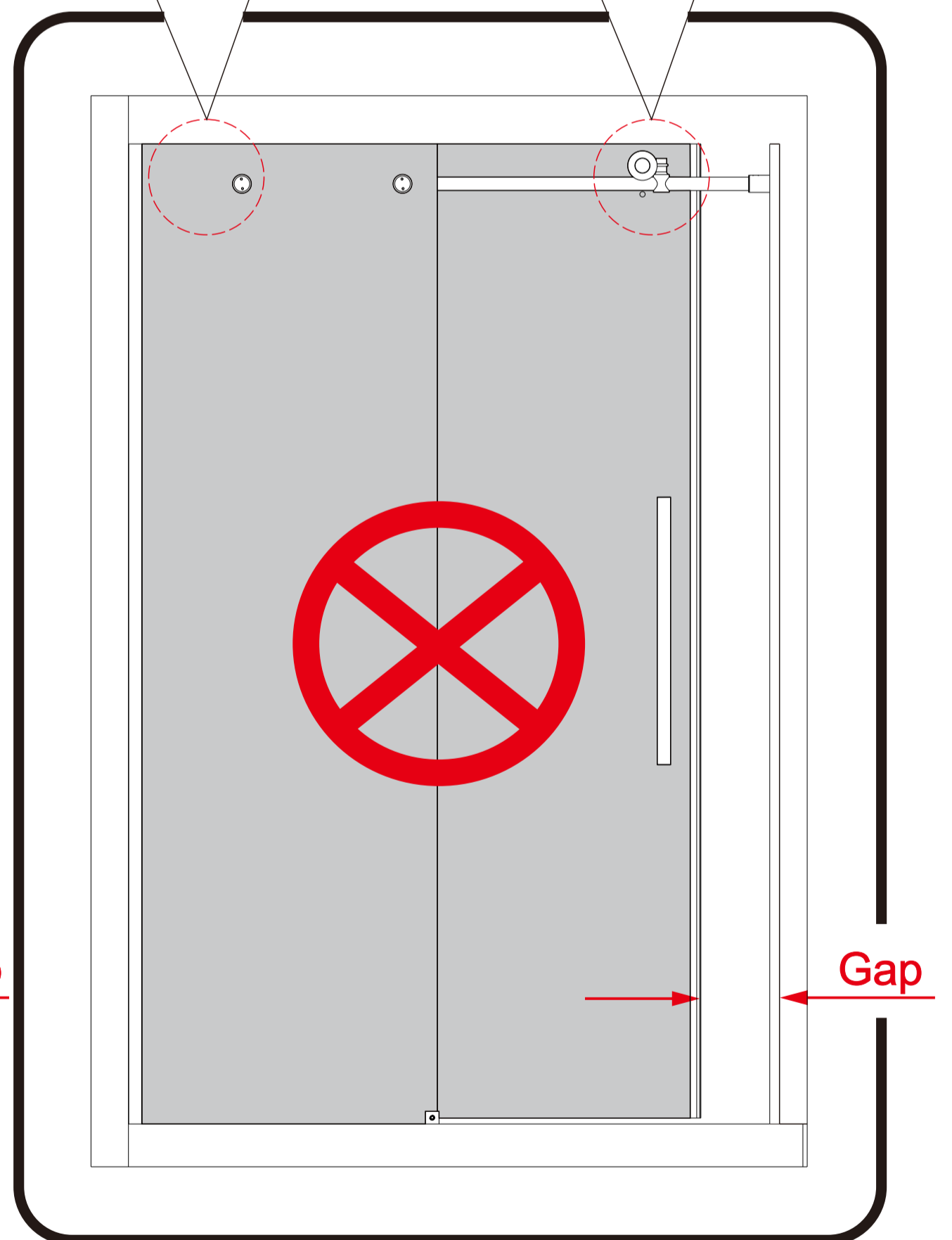
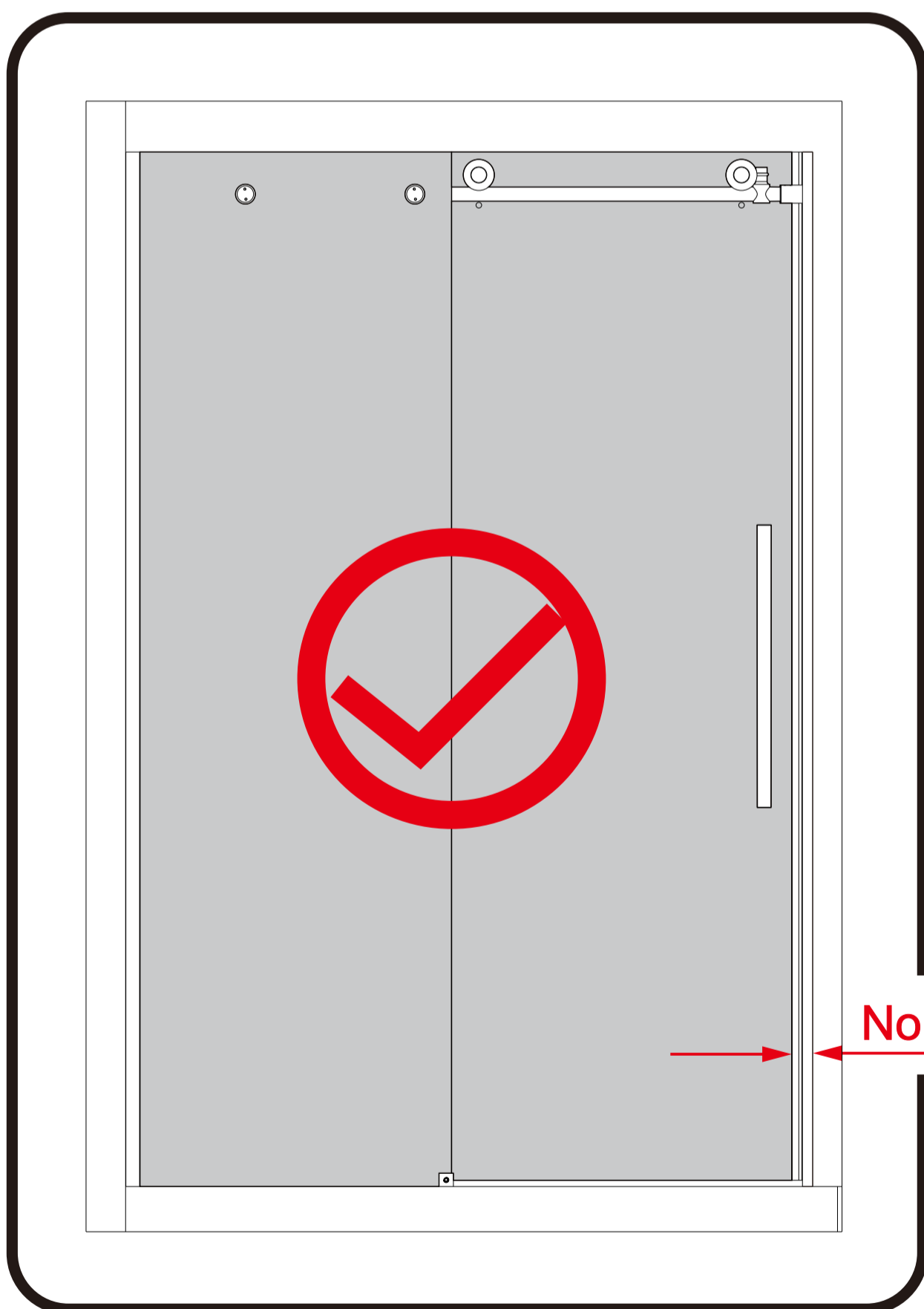
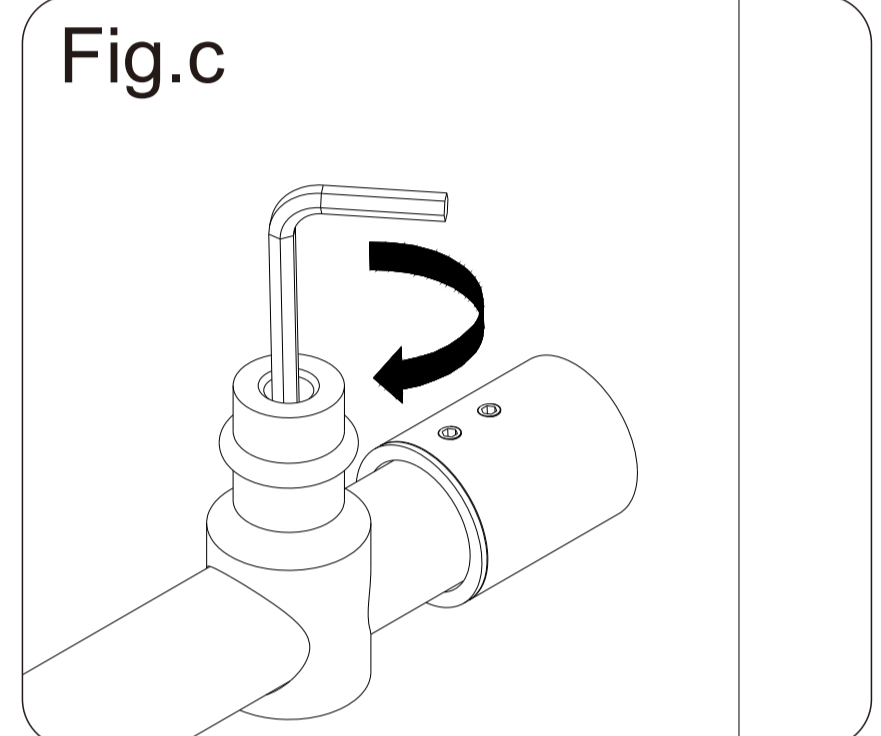
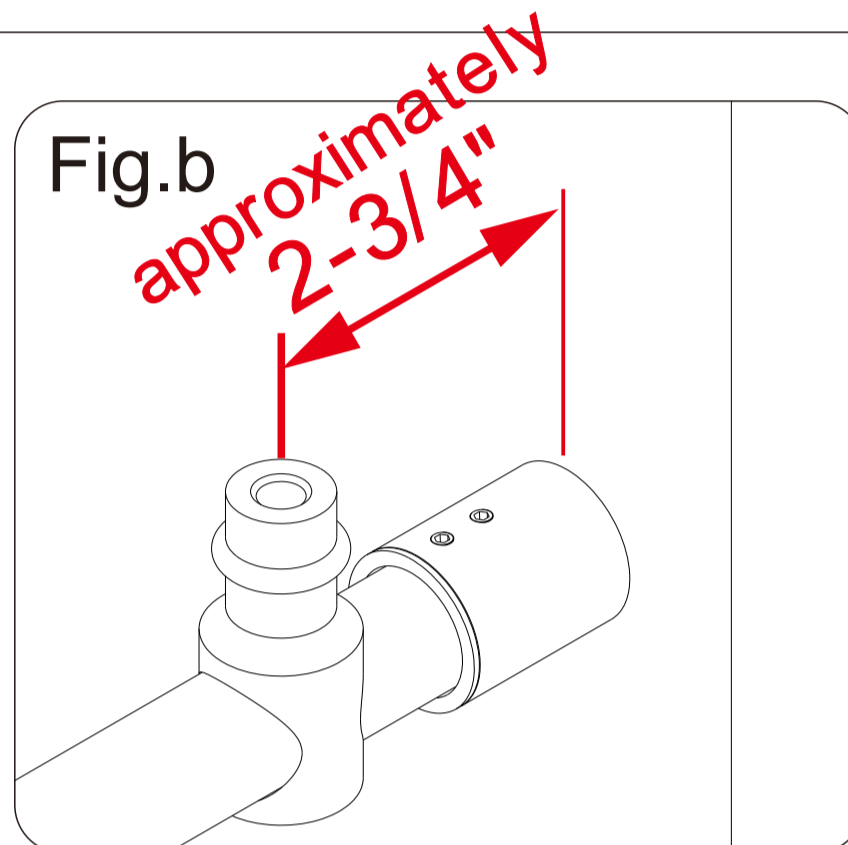
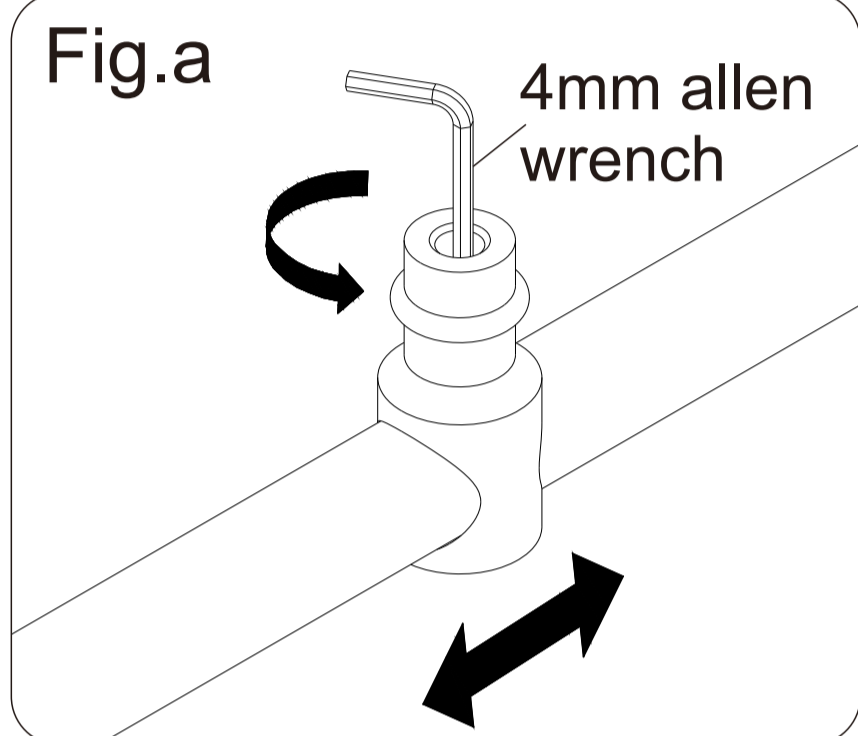


Note: The shower door can be installed left or right, according to the need to determine the installation direction.

## 26-1 Adjustment(Seamless and no adjustments required)

NOTE

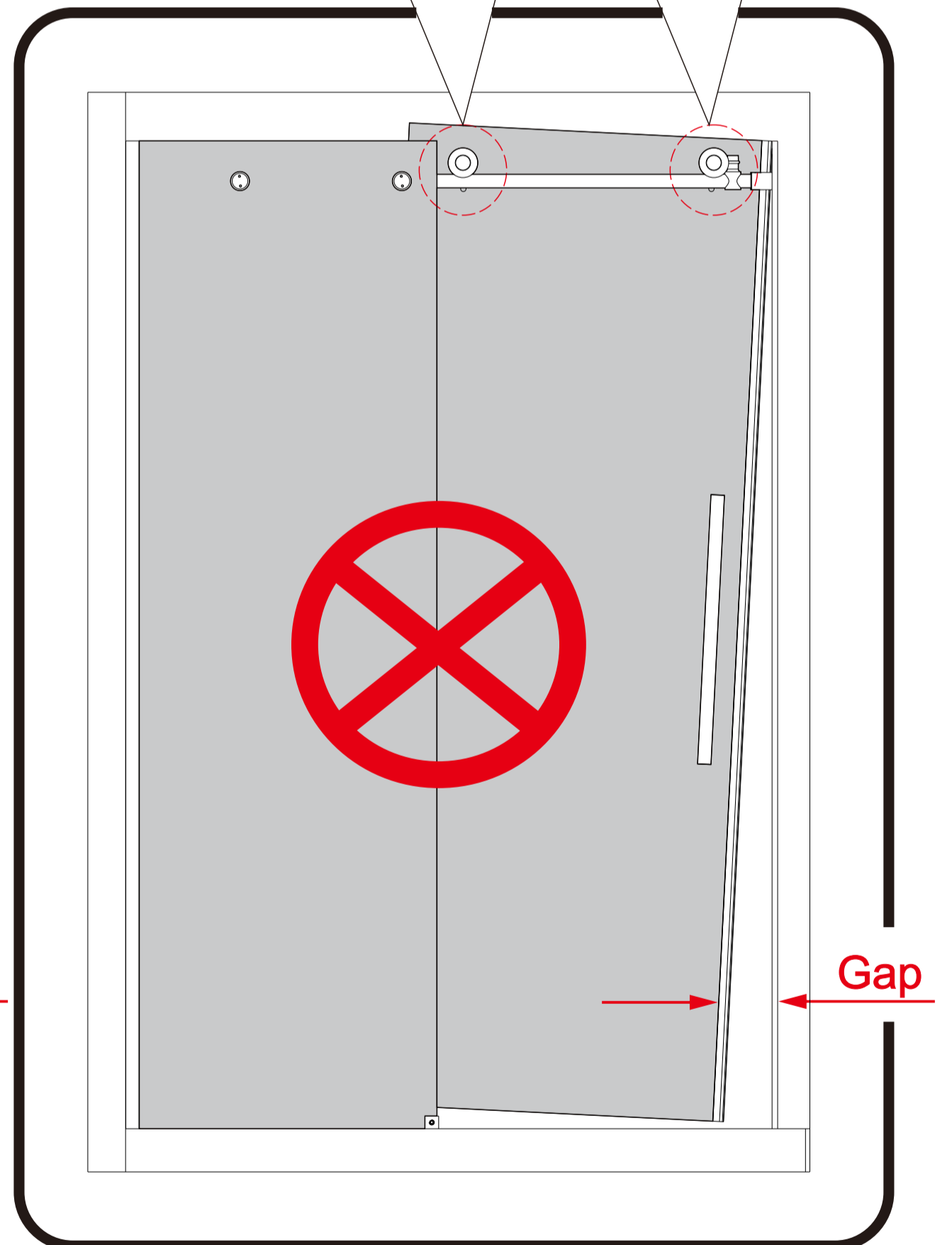
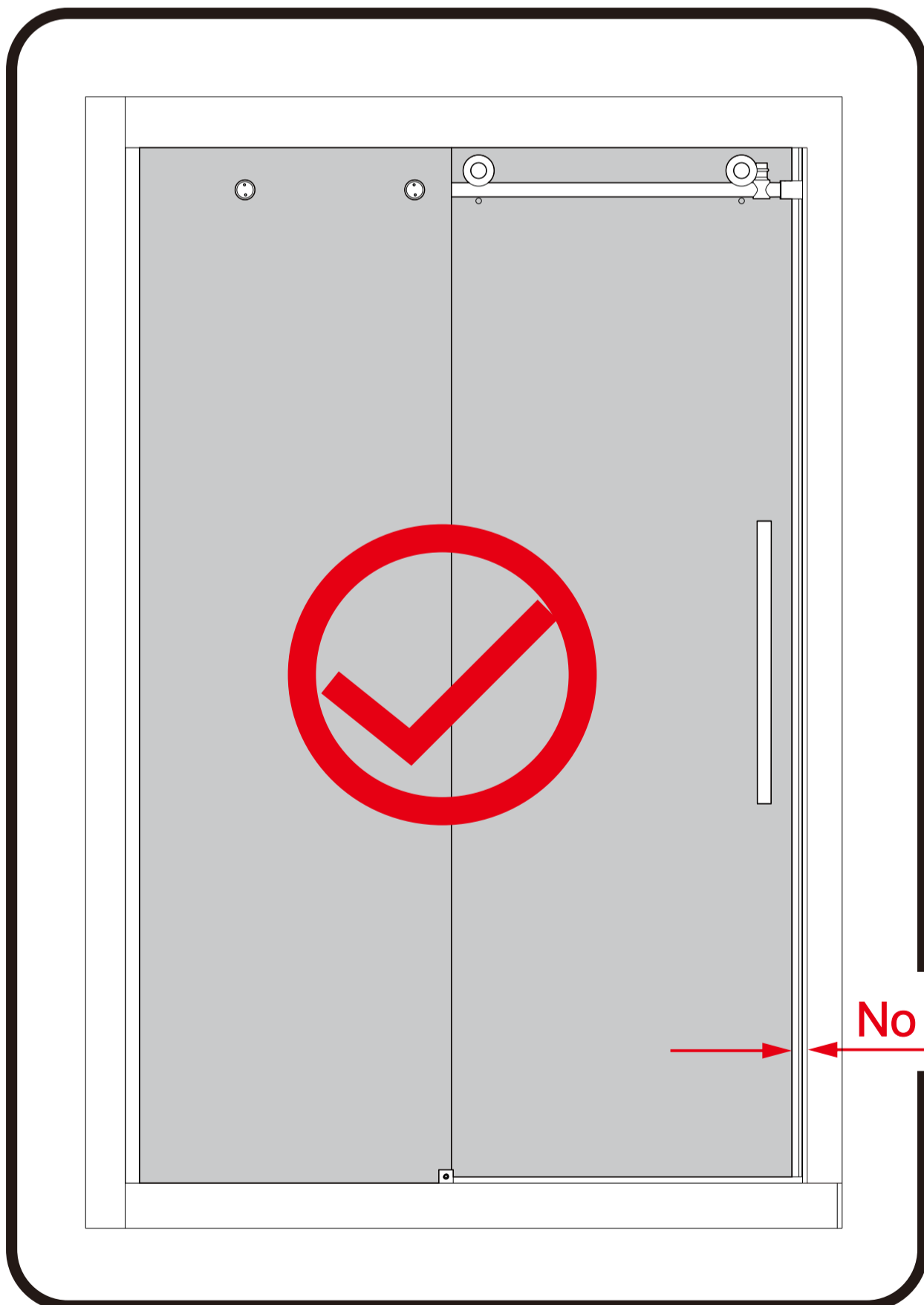
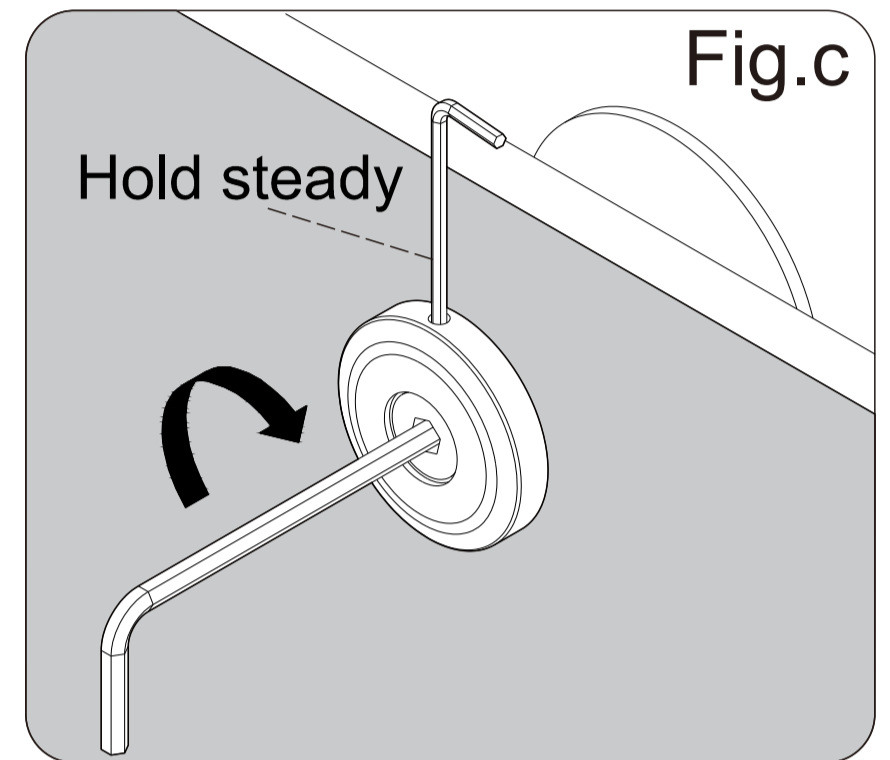
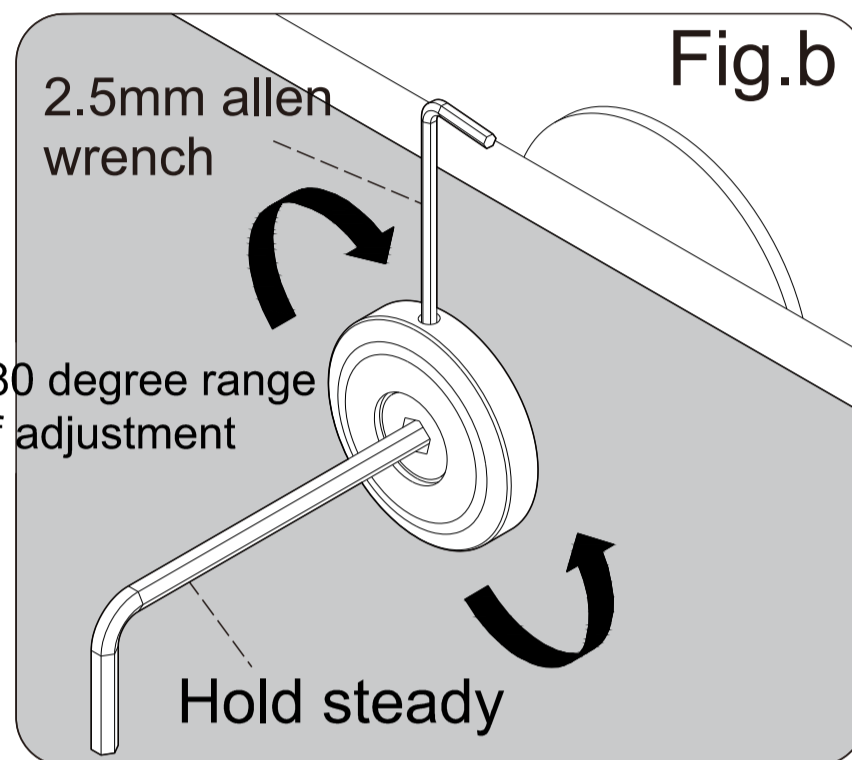
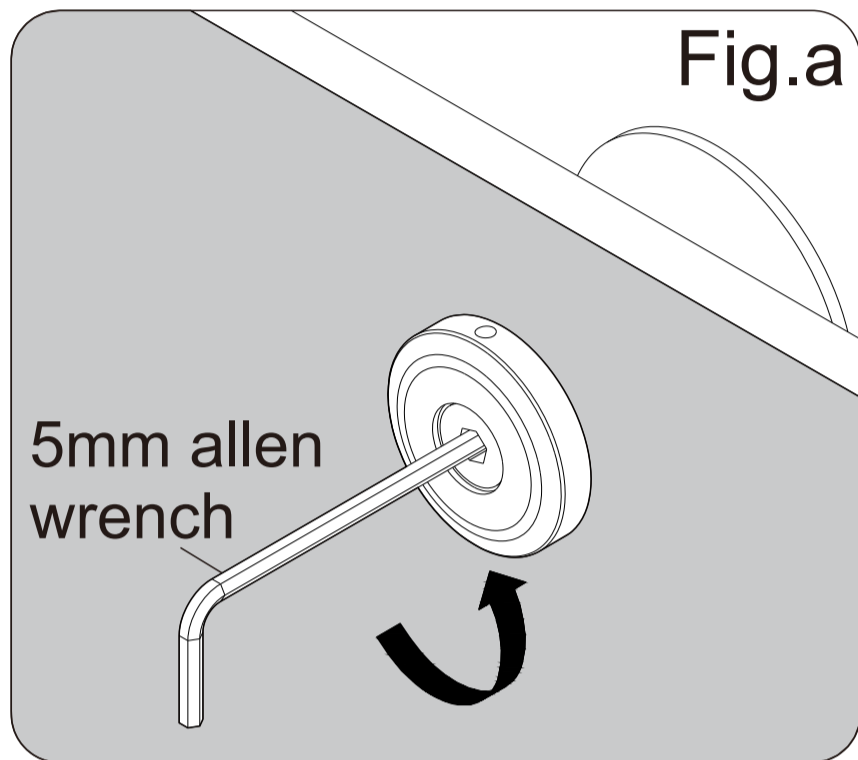
1. Use a hex wrench to loosen the **Door Stoppers(K)** as Fig.a .
2. Adjust the **Door Stoppers(K)** to a distance of approximately 2-3/4 inches from the **Return panel glass(R)** as Fig.b .
3. Use a hex wrench to lock the **Door Stoppers(K)** as Fig.c .



## 26-2 Adjustment(Seamless and no adjustments required)

NOTE

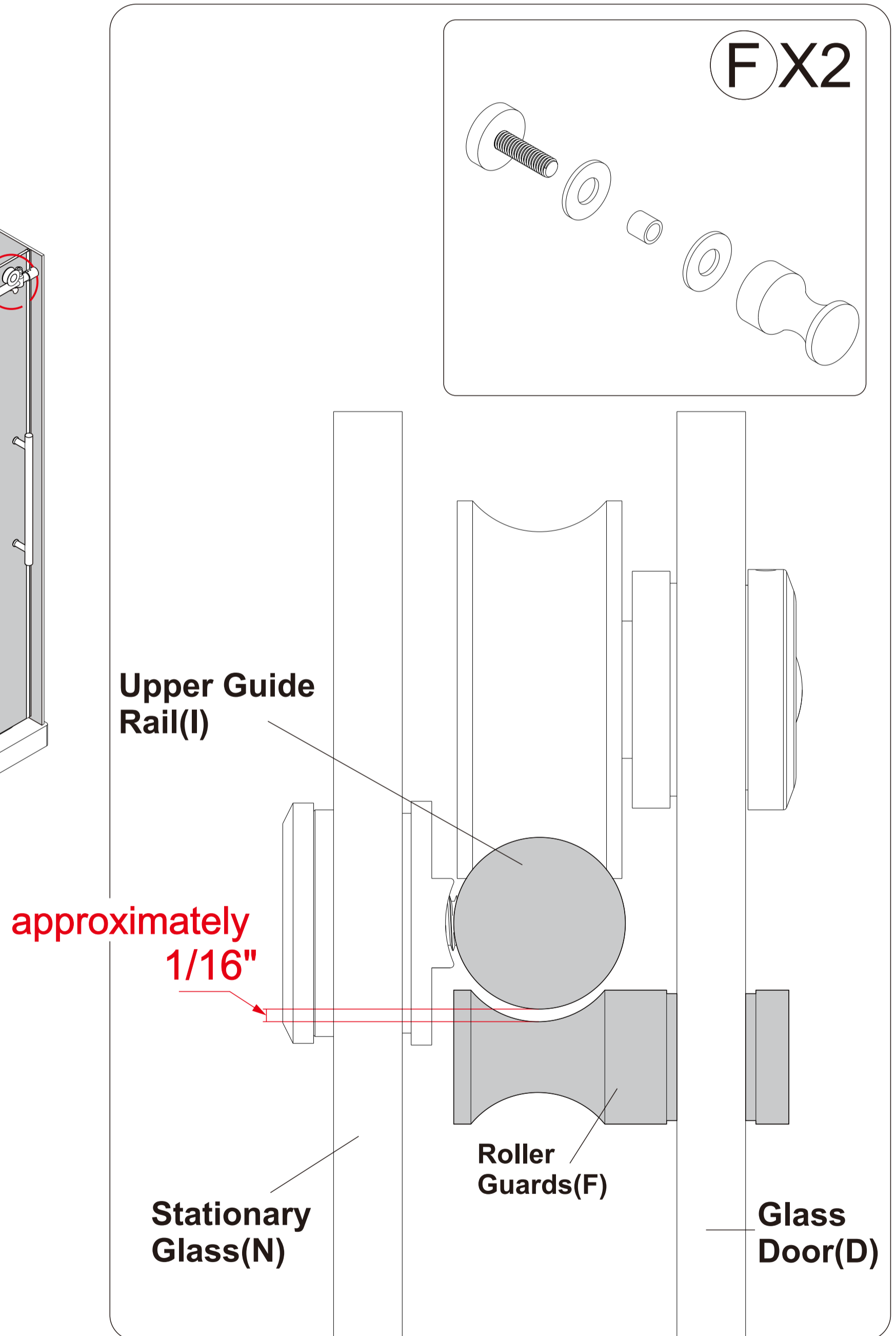
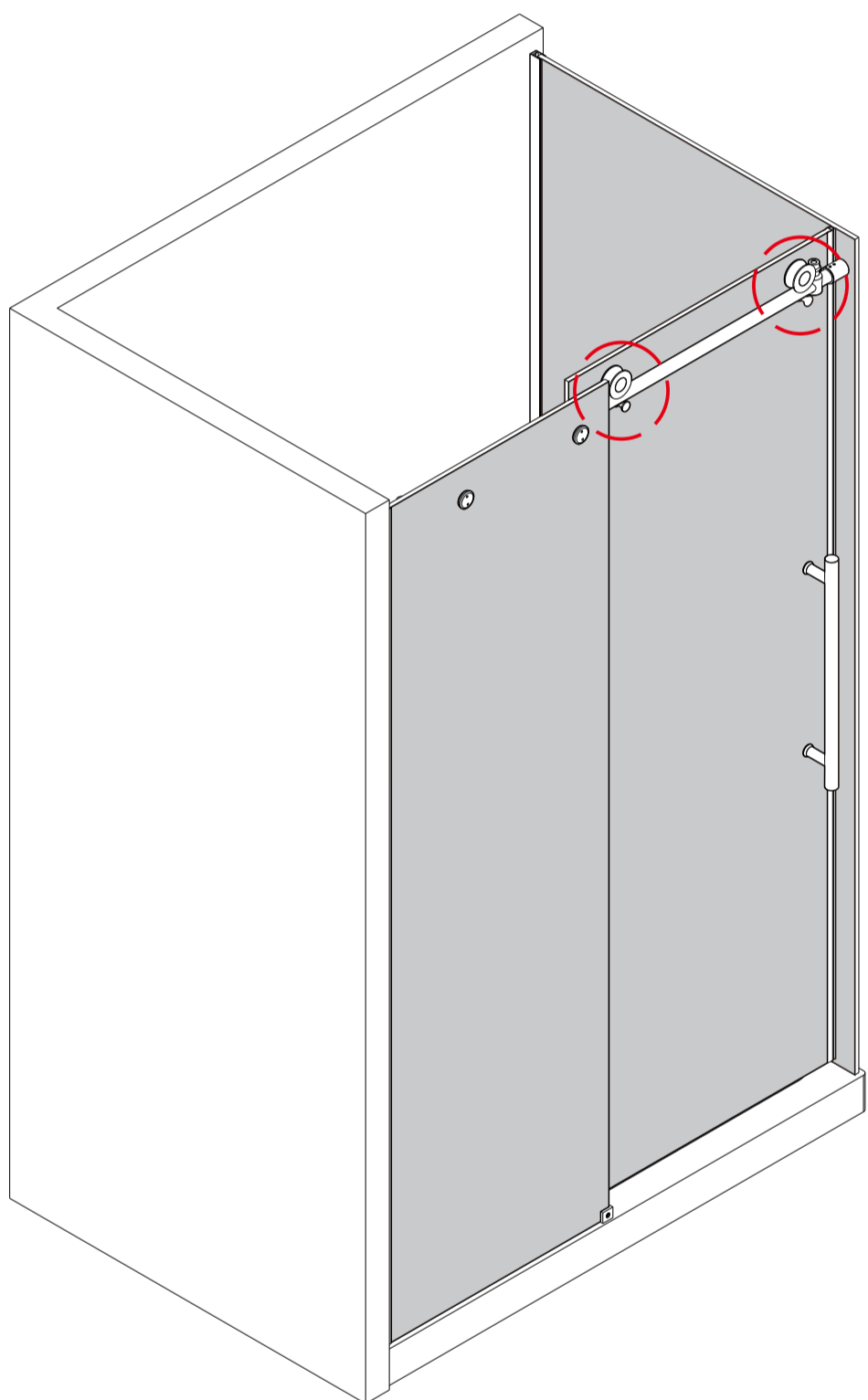
Adjust the **Rollers (G)** with a hex wrench so that the **Bumper Strip (C)** is flush with the **Return panel glass(R)** as Fig.a & Fig.b and Fig.c .



**27** Install the **Roller Guards(F)**

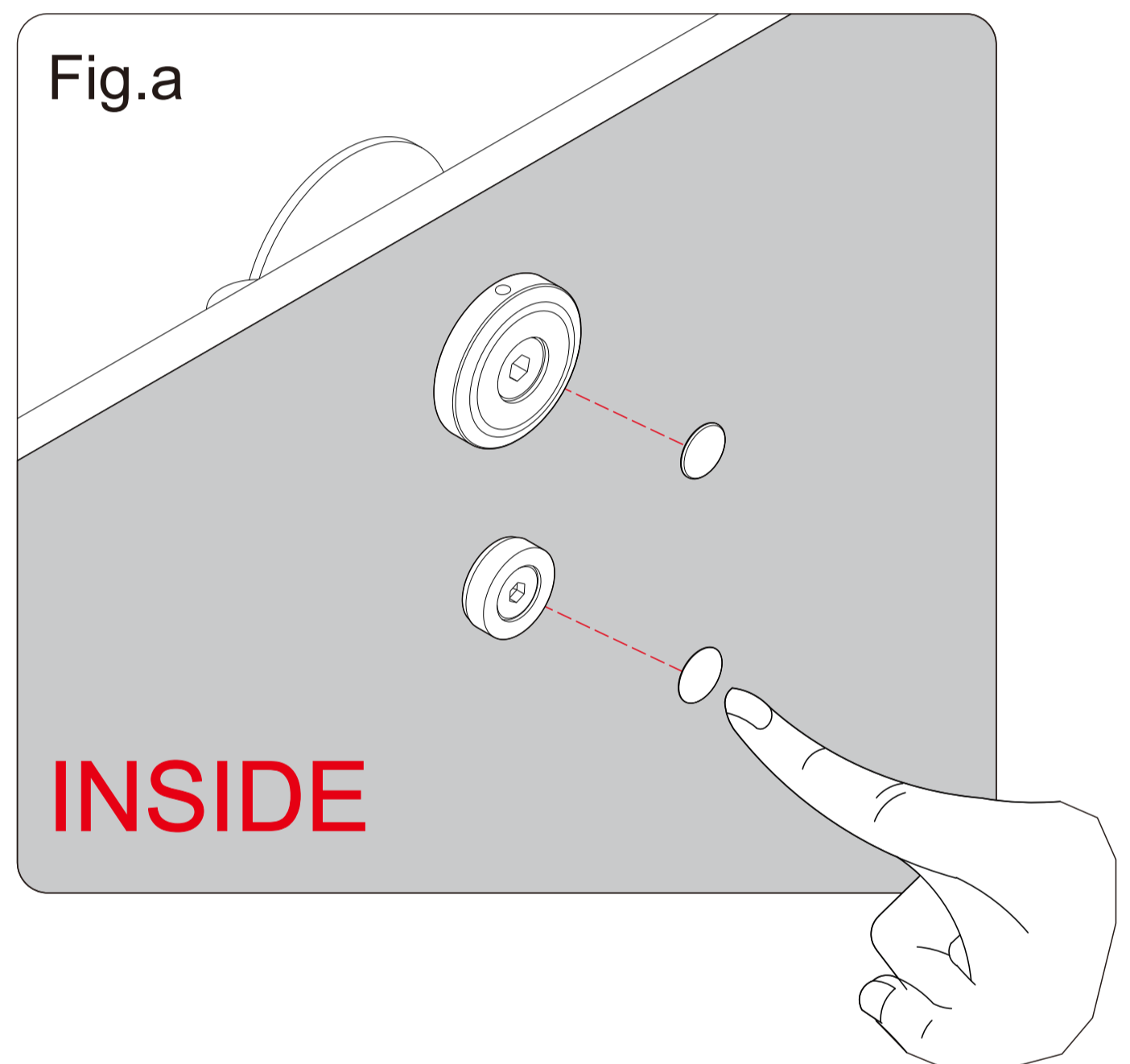
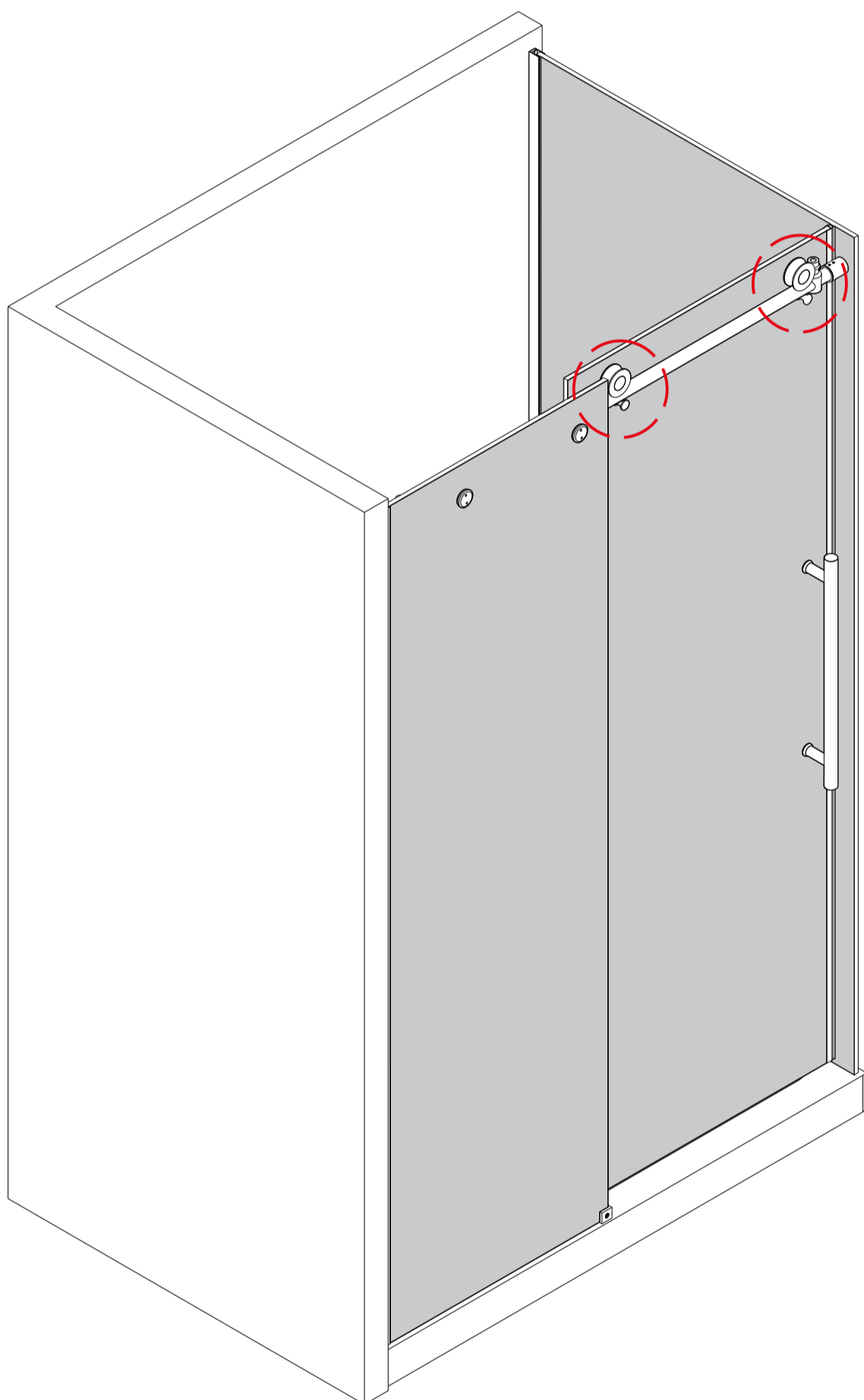
**NOTE**

1. Install the **Roller Guards(F)** on the **Glass Door (D)** to prevent the **Glass Door (D)** from falling off, and adjust the **Roller Guards(F)** to a position about  $1/16''$  away from the **Upper Guide Rail(I)** .



**28** Install the decorative cover

**NOTE** 1. Install the decorative cover of the **Rollers(G)** and the **Roller Guards(F)** decorative cover as Fig.a .

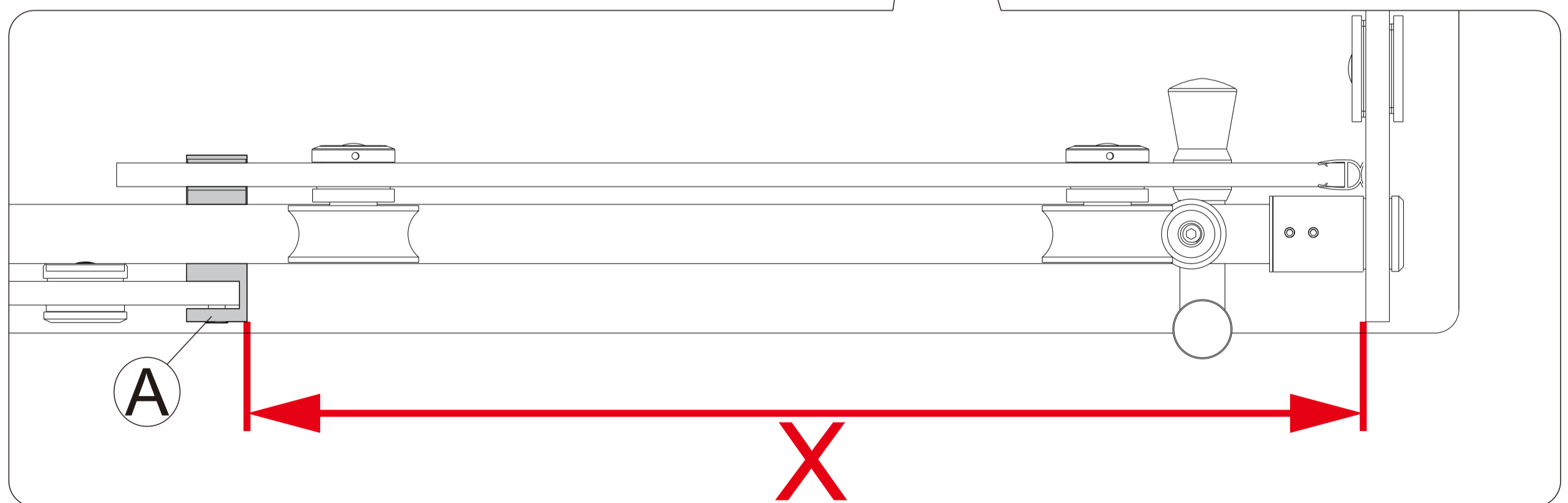
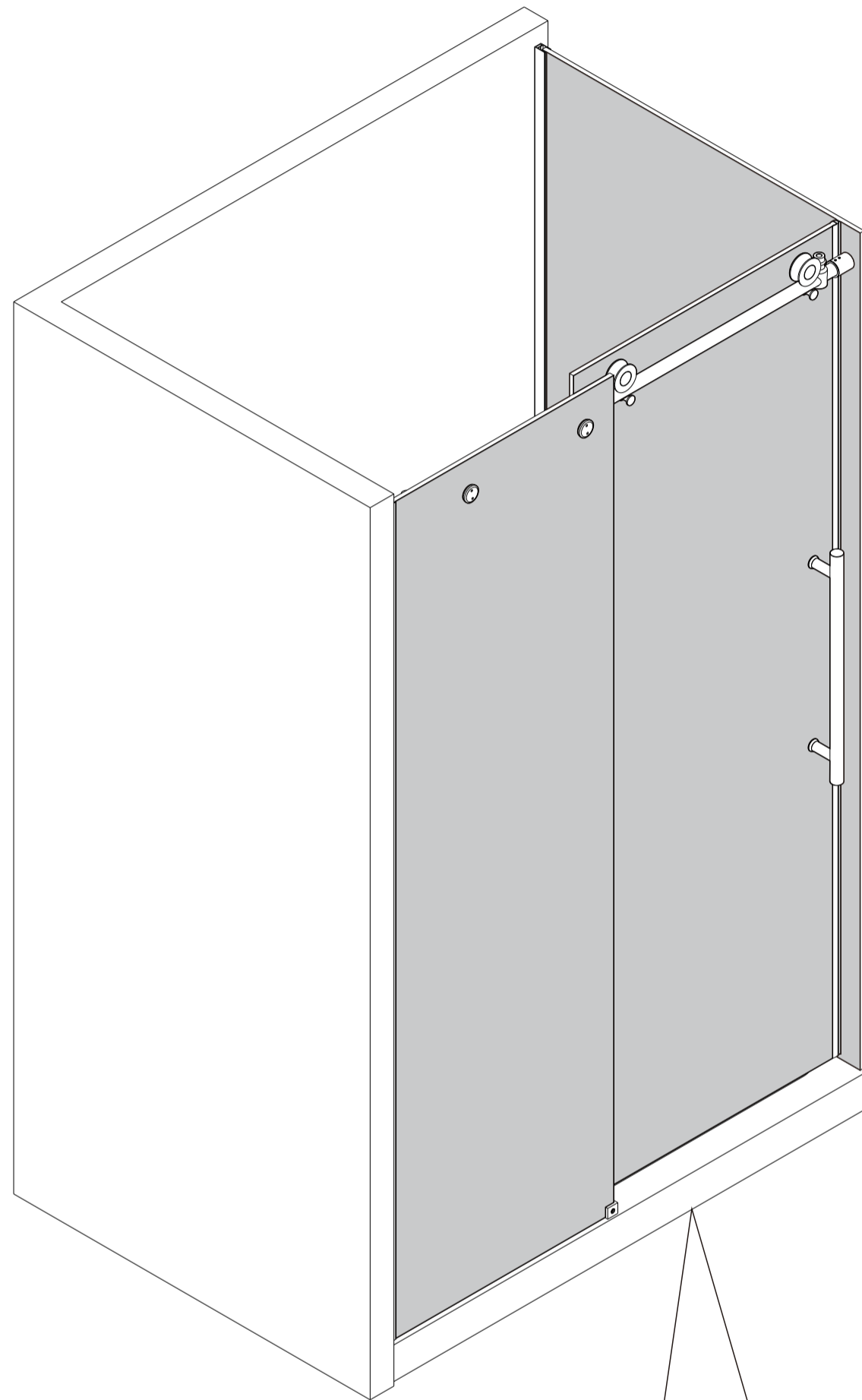


## 29-1

### Install the **Threshold(B)**

NOTE

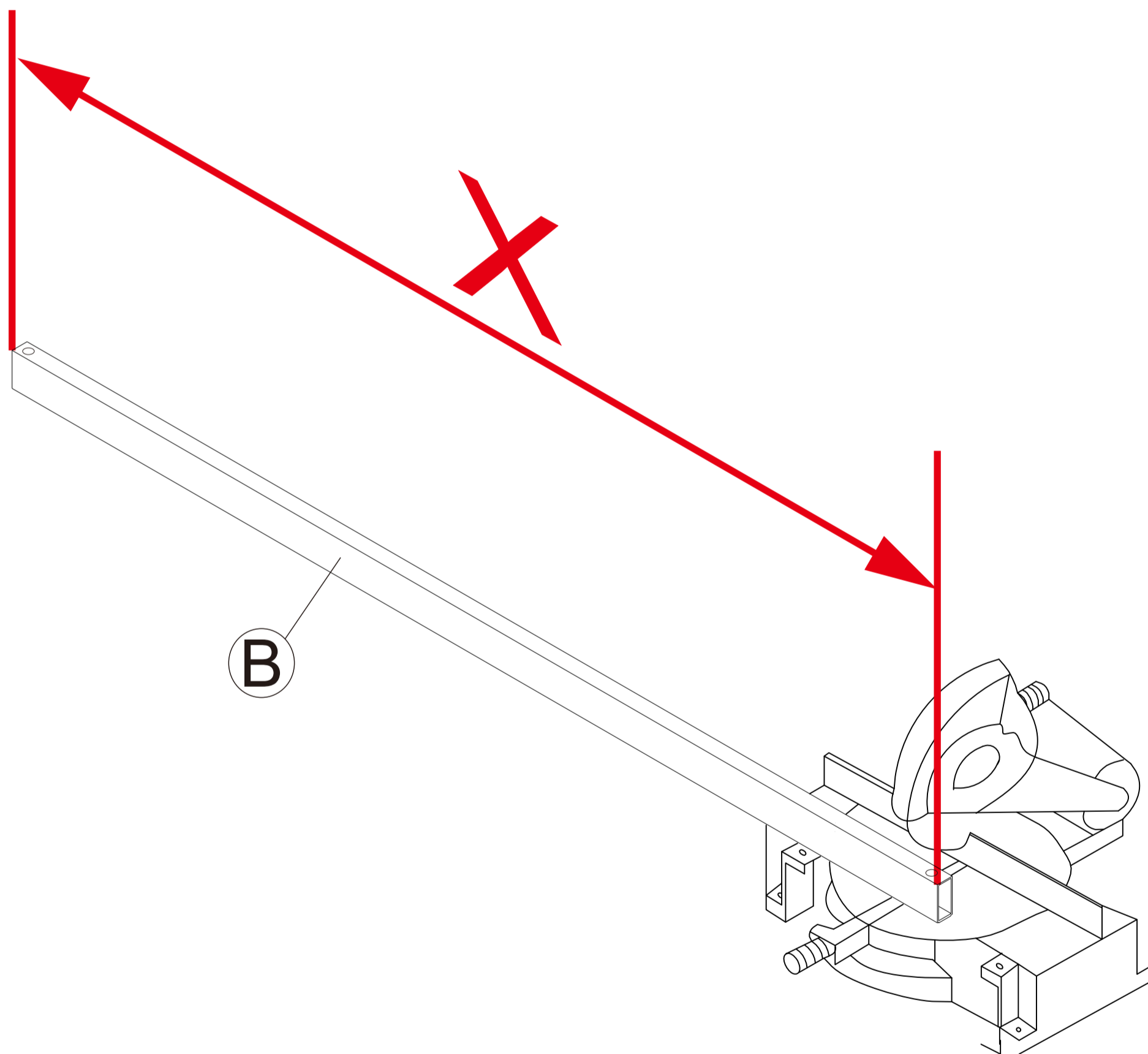
1. Measure the dimensions between the **Guide Block (A)** slot and the **Return panel glass(R)** as Fig.a .



**29-2** Install the **Threshold(B)**

NOTE

1. Cut the **Threshold(B)** to the corresponding length.
2. Only one side is cut, and there is no problem if the threshold is too short to have only one hole is too small to leave a hole.



## 29-3 Install Wall Anchor(aa)

NOTE

1. Mark the holes with a pencil as Fig.a .
2. Drill holes with  $\Phi 6\text{mm}$ (1/4") drill bit as Fig.b.
3. Insert the **Wall Anchors(aa)** as Fig.c.

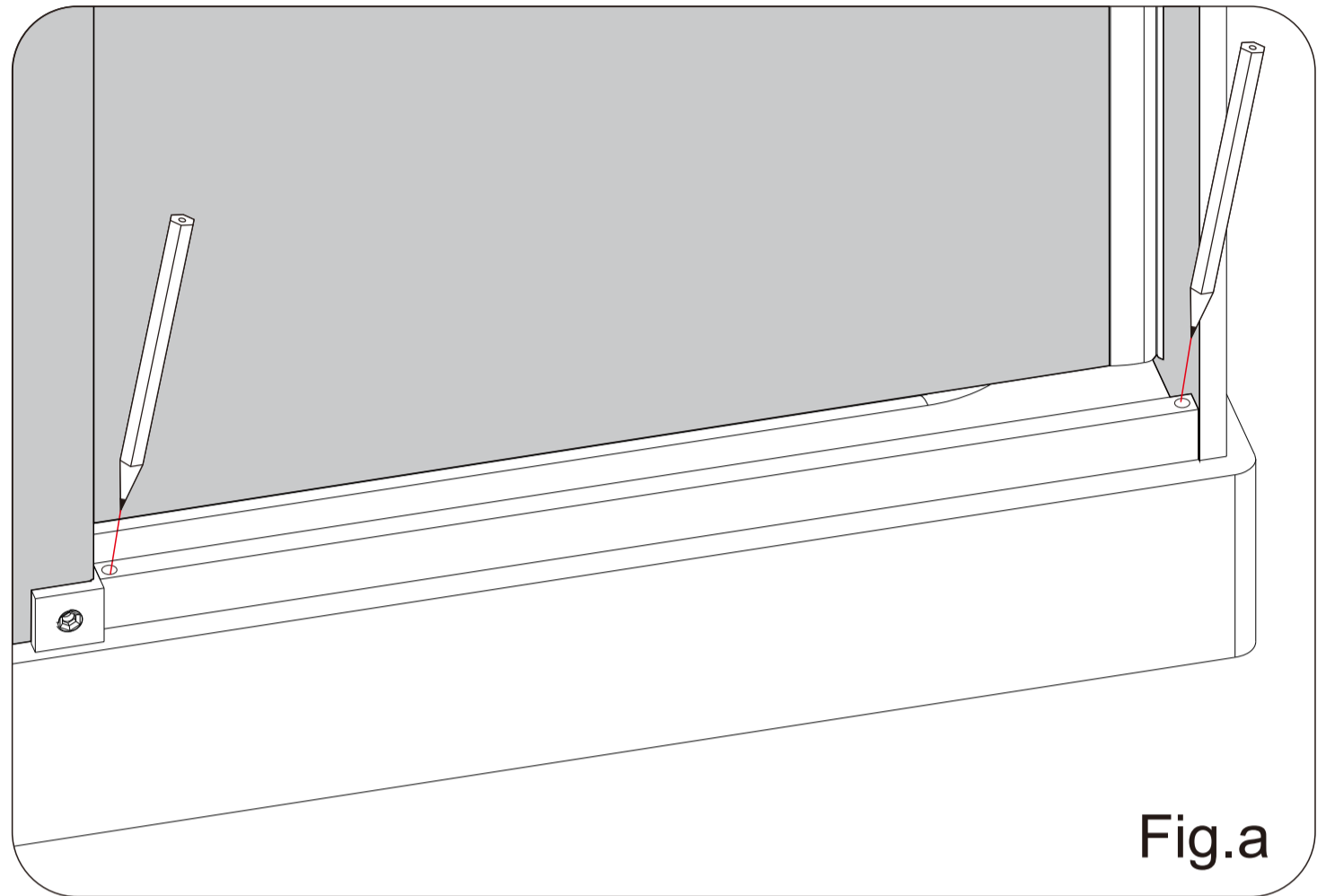
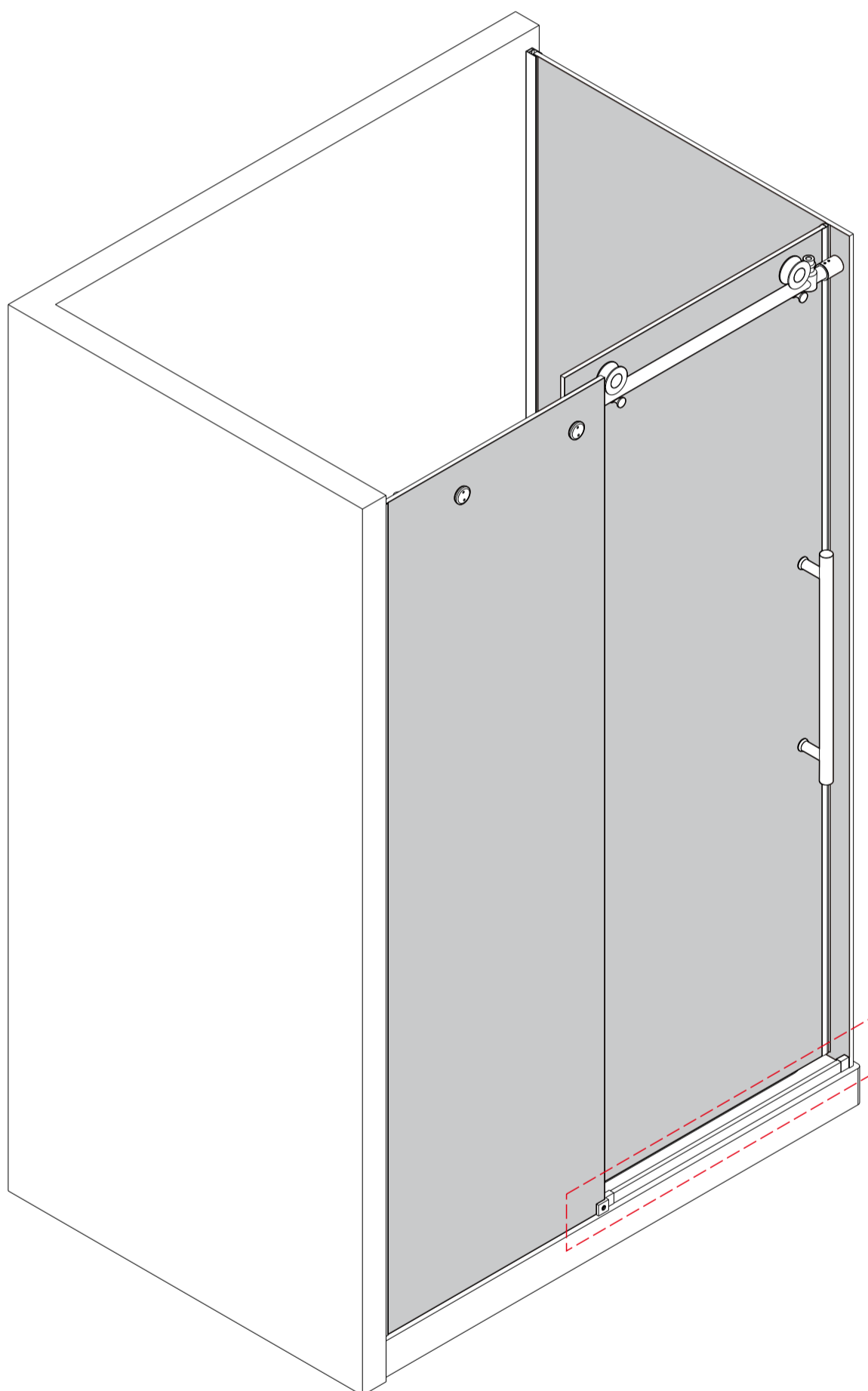


Fig.a

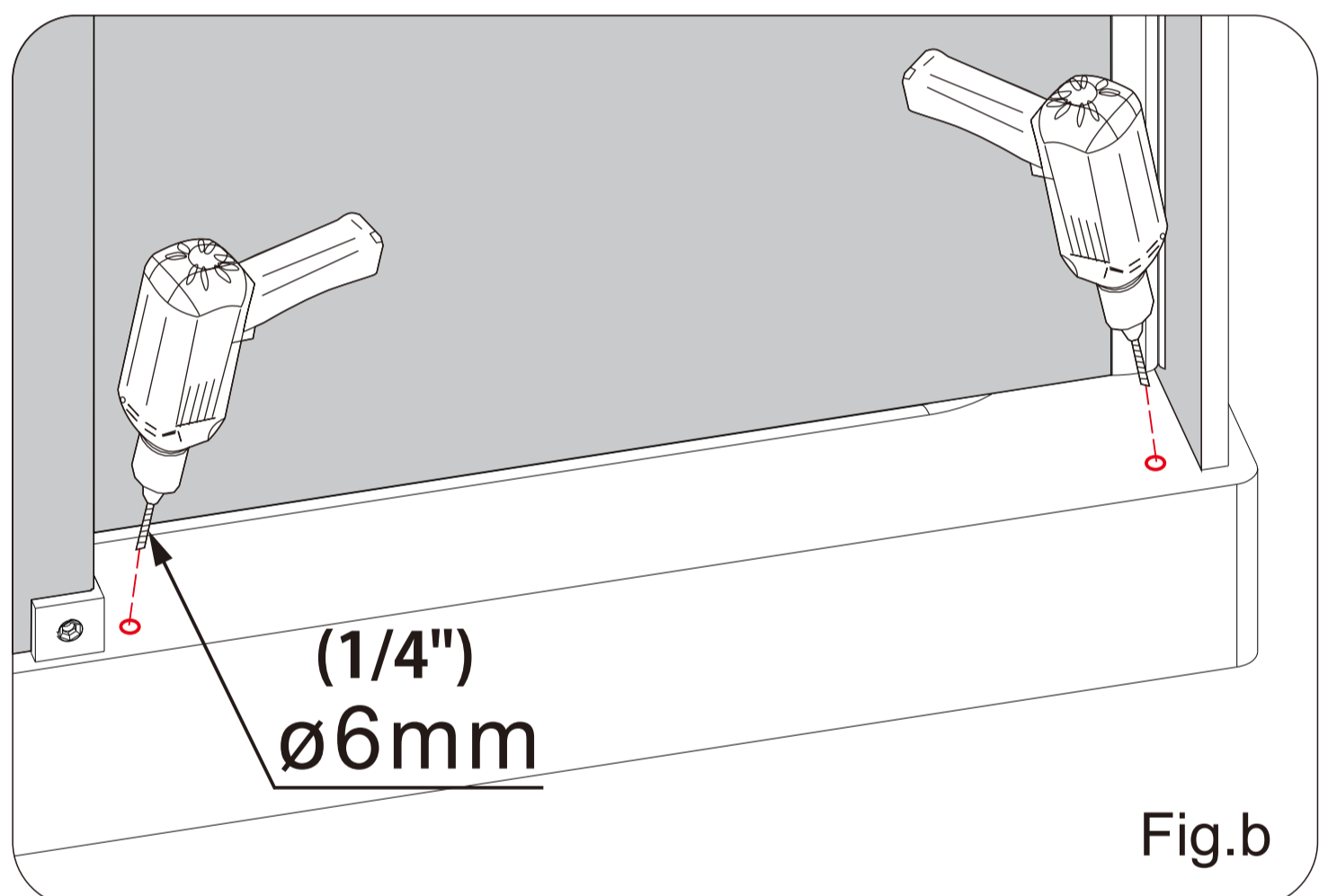


Fig.b

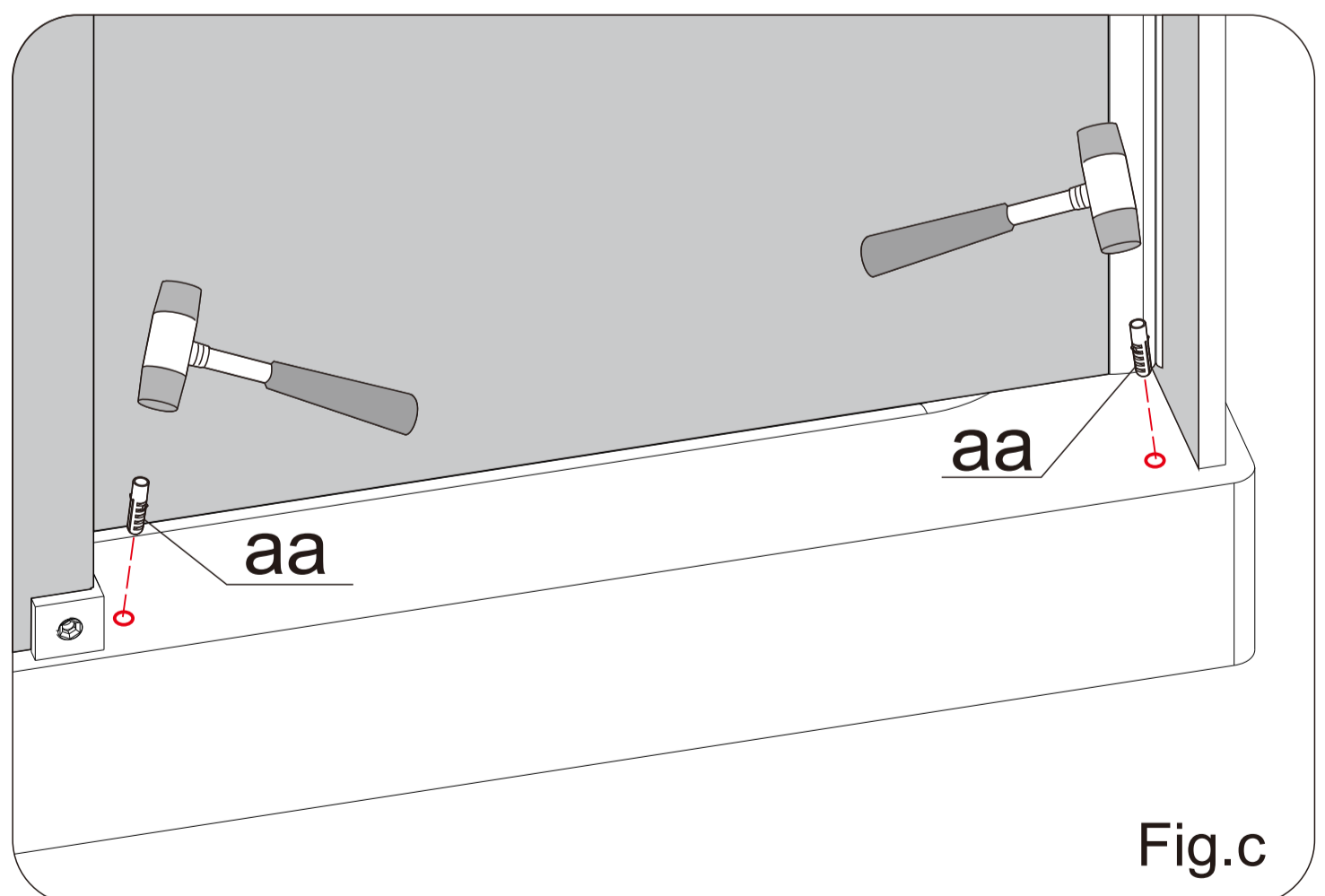


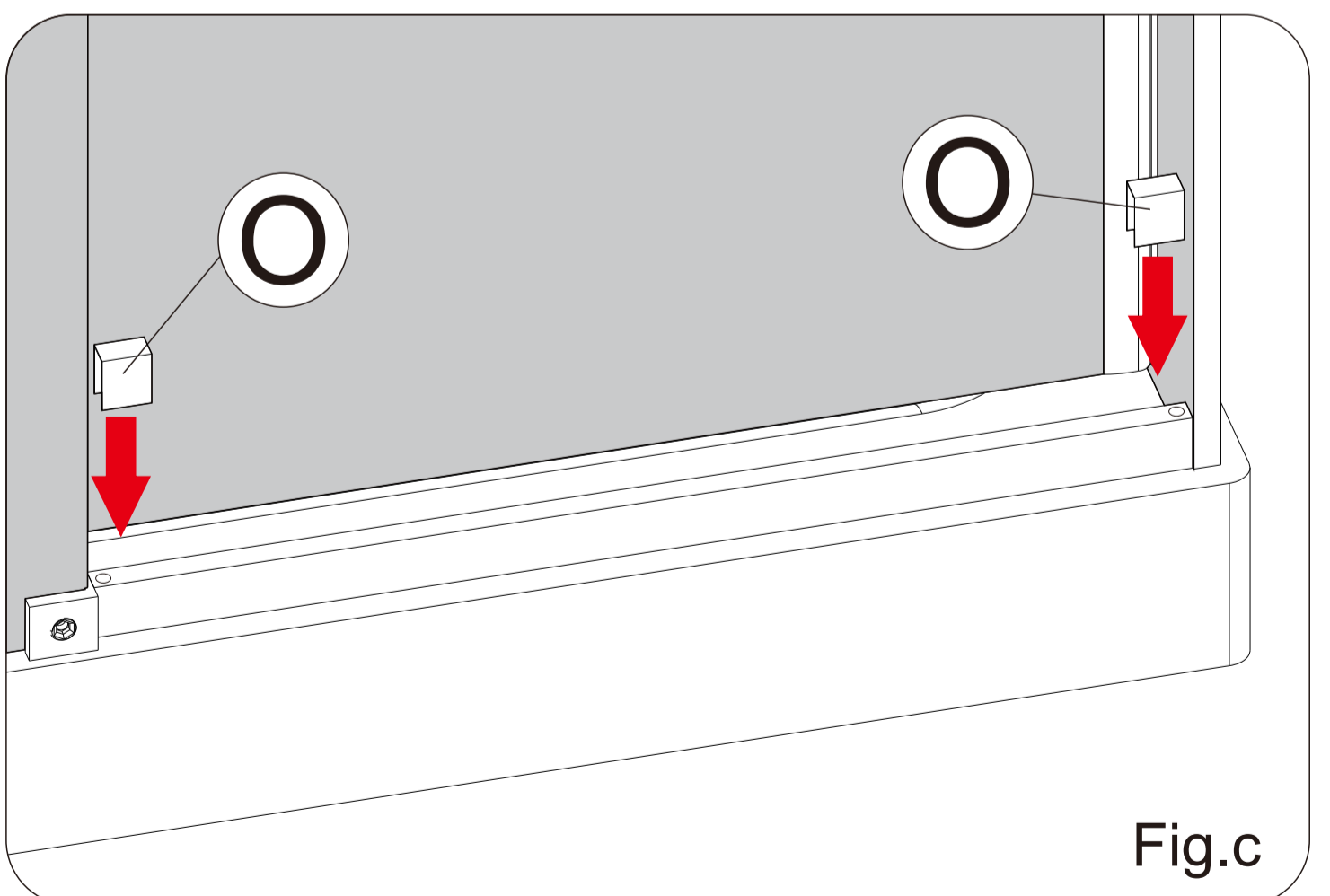
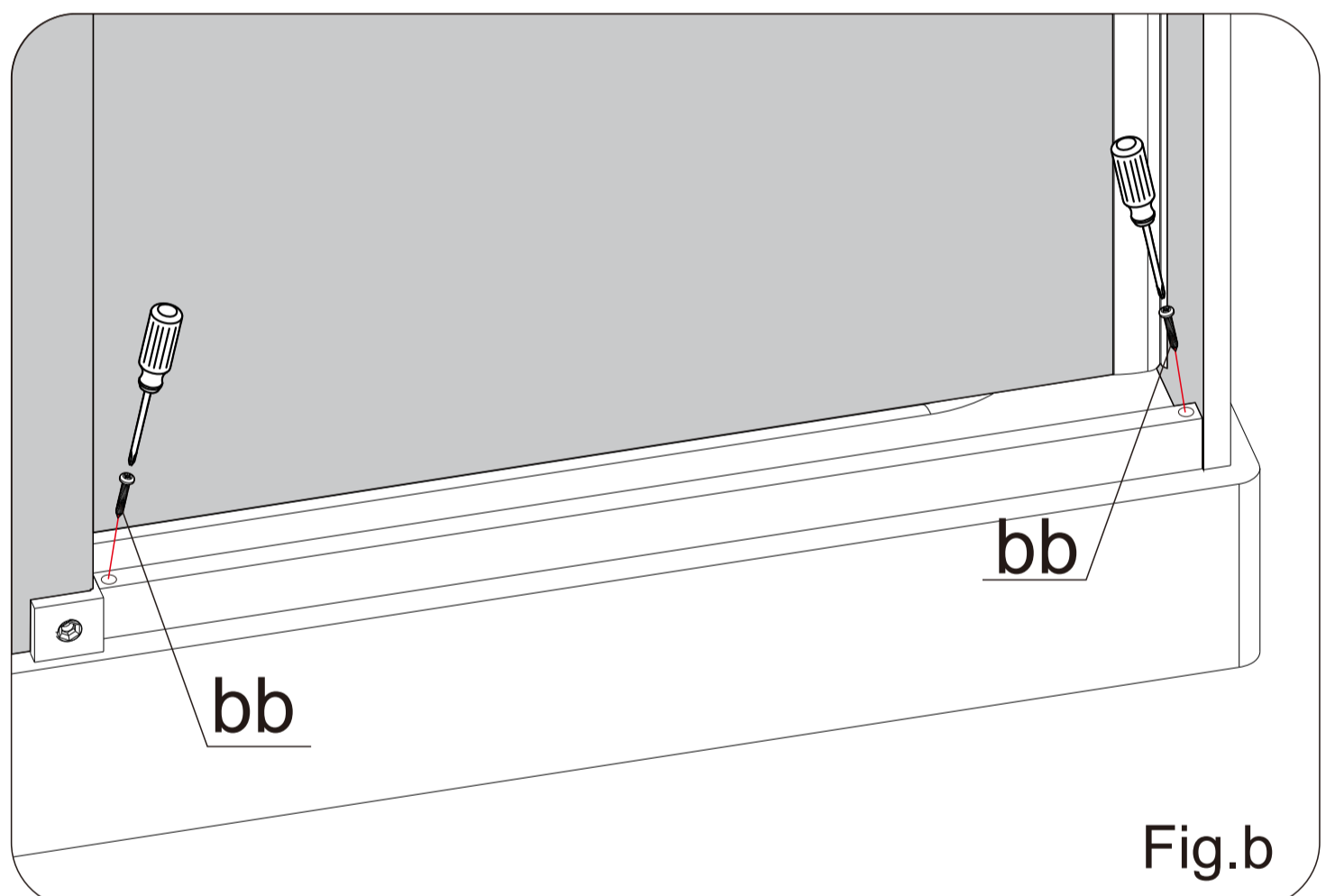
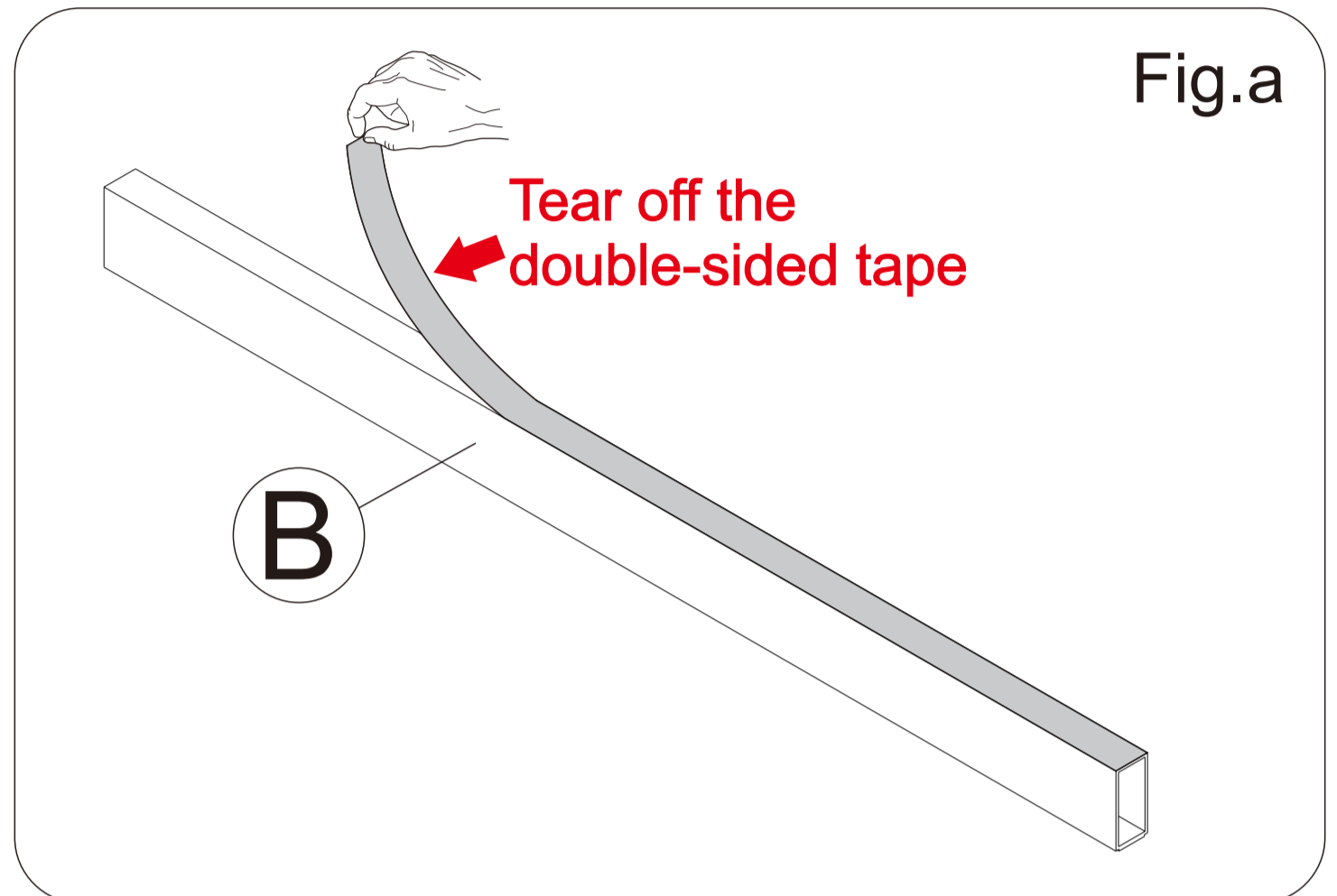
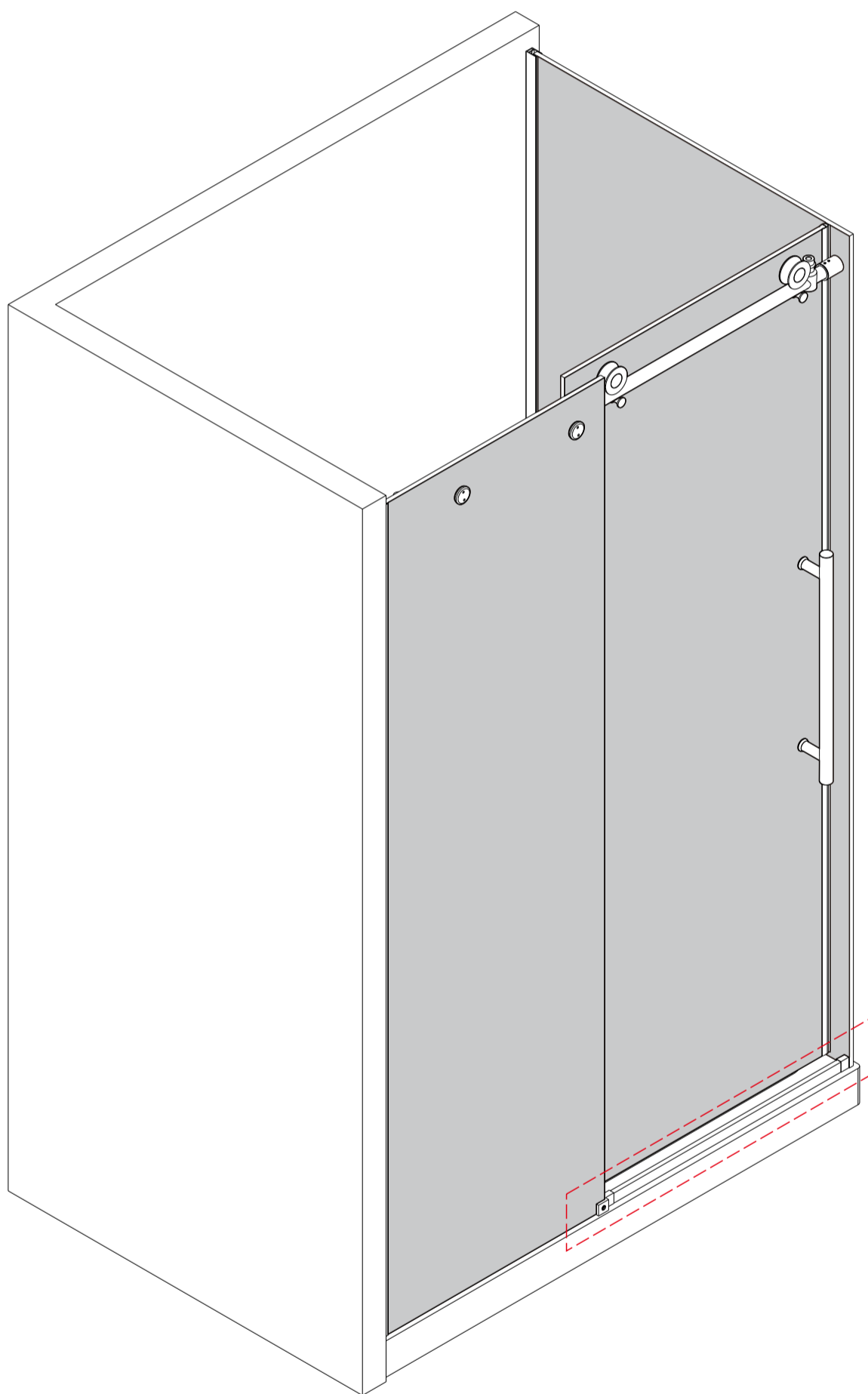
Fig.c

## 29-4

### Install the Threshold(B)

NOTE

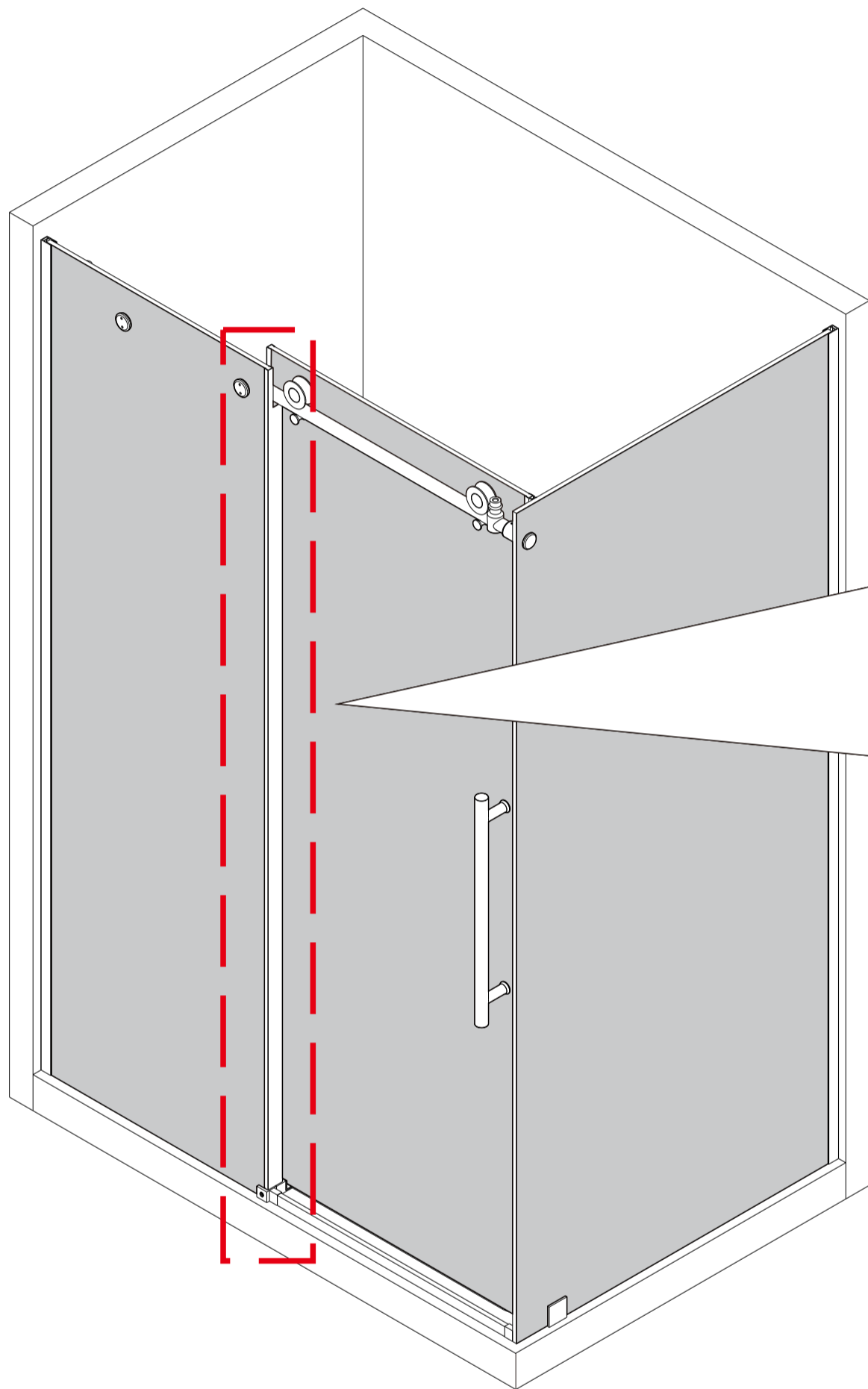
1. Tear off the double-sided tape on the **Threshold(B)** as Fig.a .
2. Fix the **Threshold(B)** with a **Screw (bb)** as Fig.b .
3. Installing the **Threshold(B)** and the **Threshold cover(O)** as Fig.b .



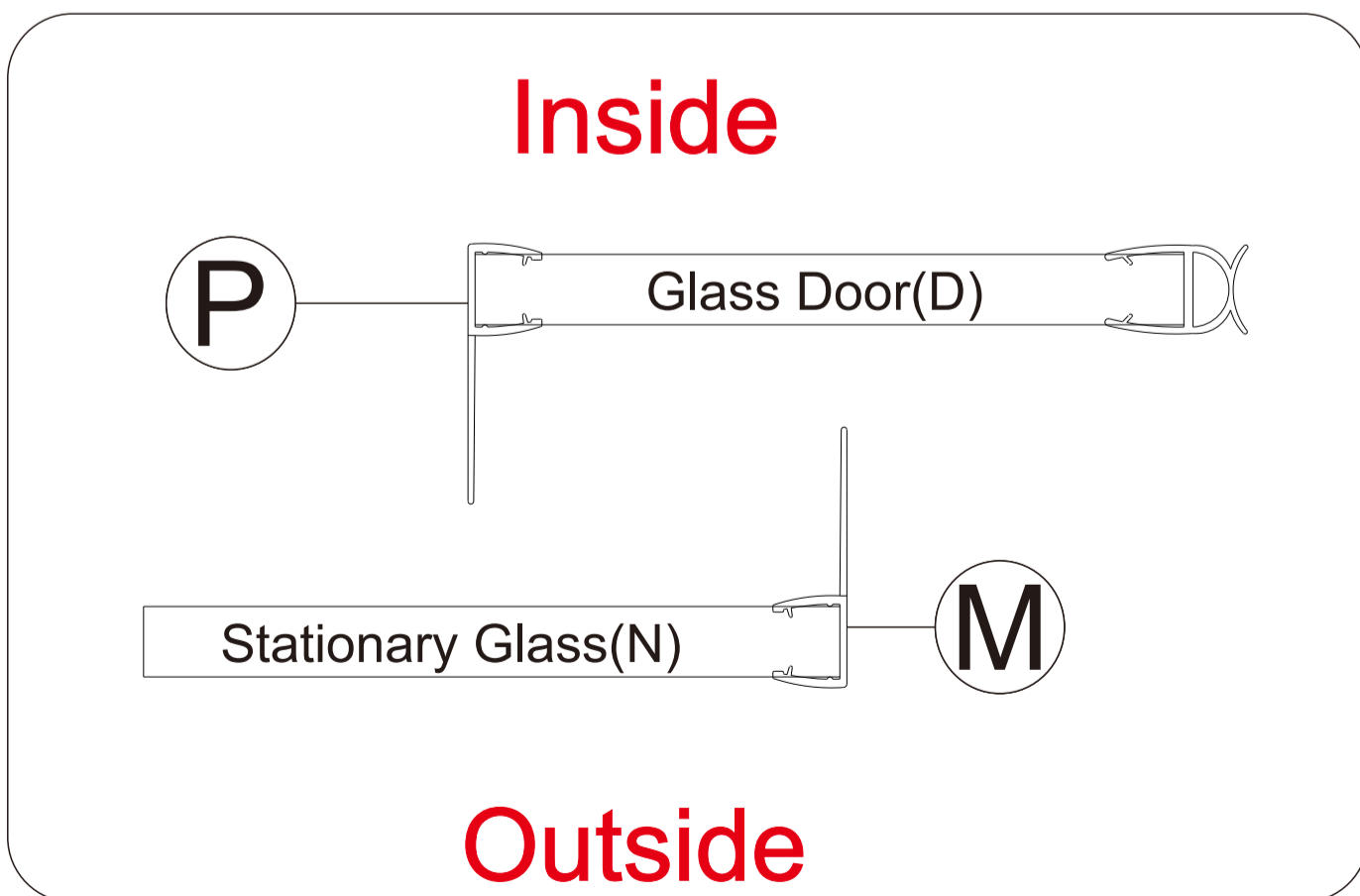
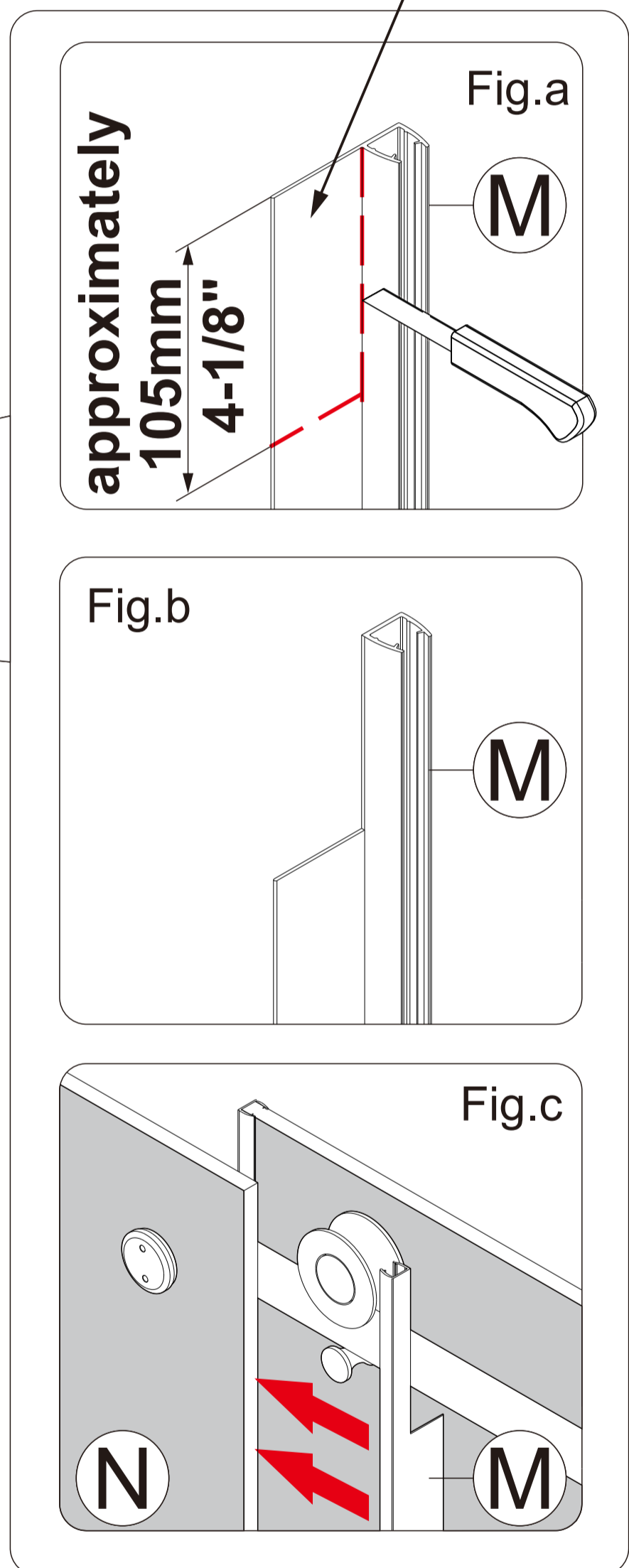
**30** Install the **Anti-Water Strips(M)**

**NOTE**

1. According to the installation direction, cut the soft edge of the **Anti-Water Strips(M)** as **Fig.a** and **Fig.b** .
2. Install the **Anti-Water Strips(M)** on the **Stationary Glass(N)** as **Fig.c** .



Cut according to the mounting direction

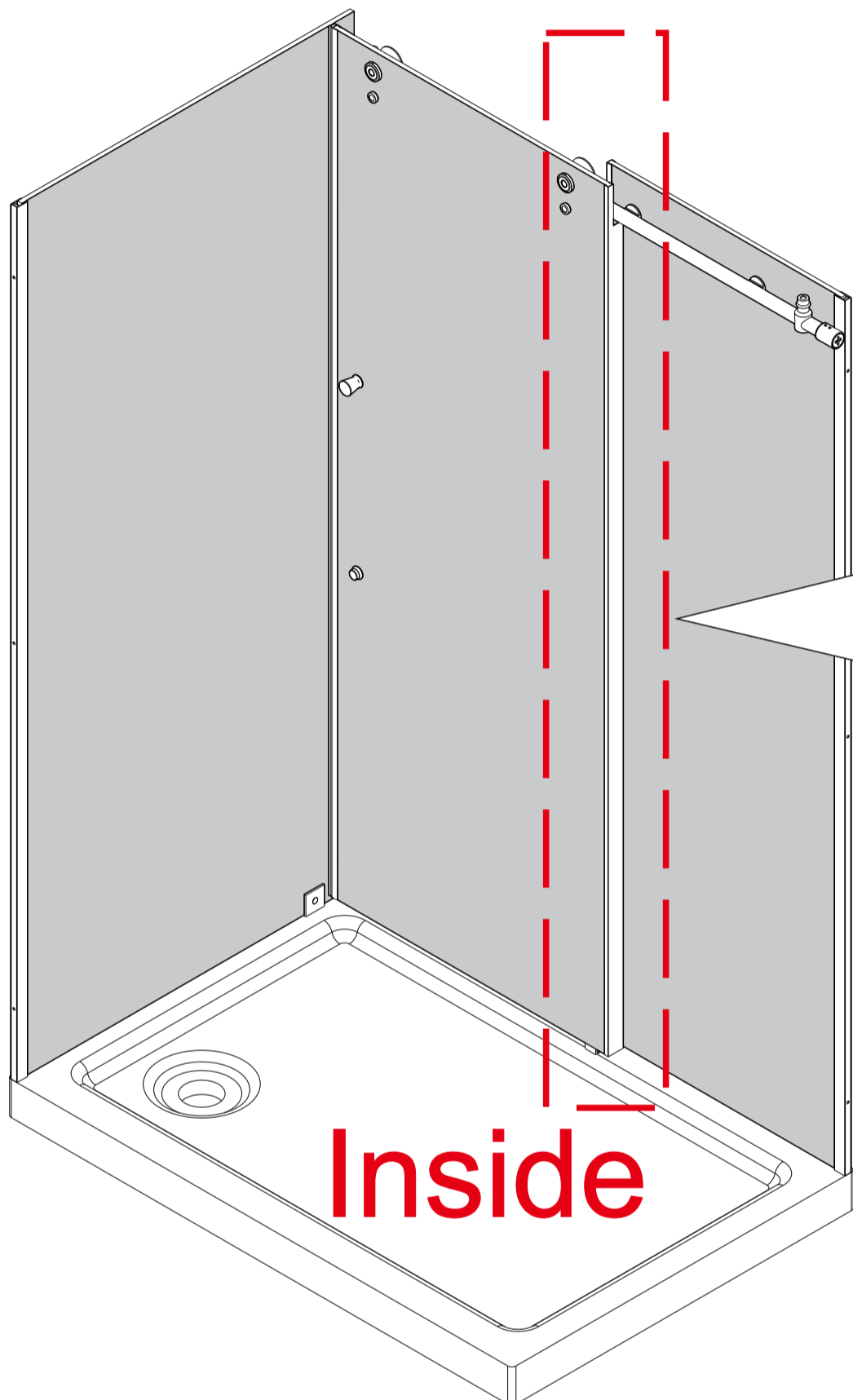


**Note:** The shower door can be installed left or right, according to the need to determine the installation direction.

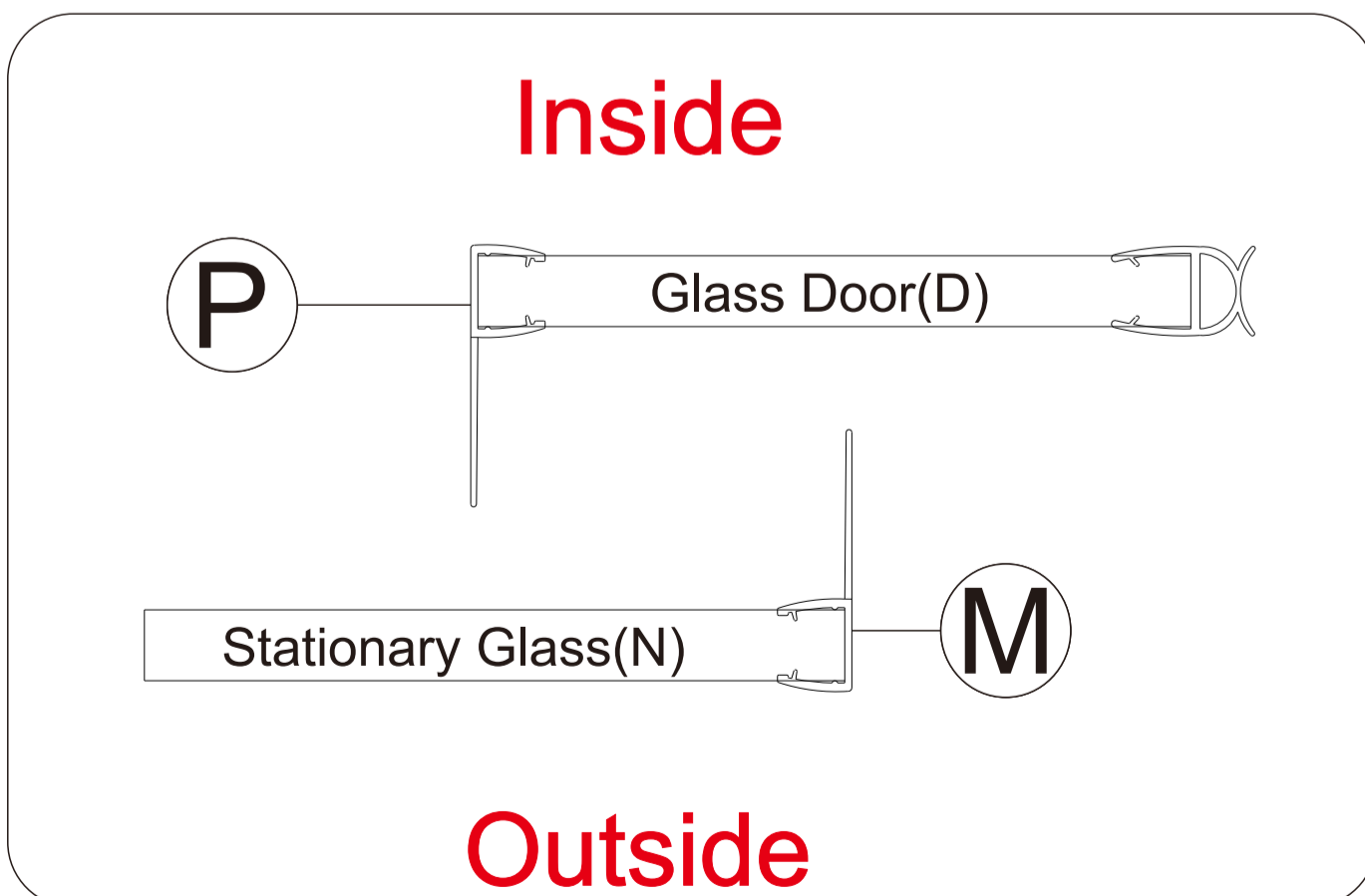
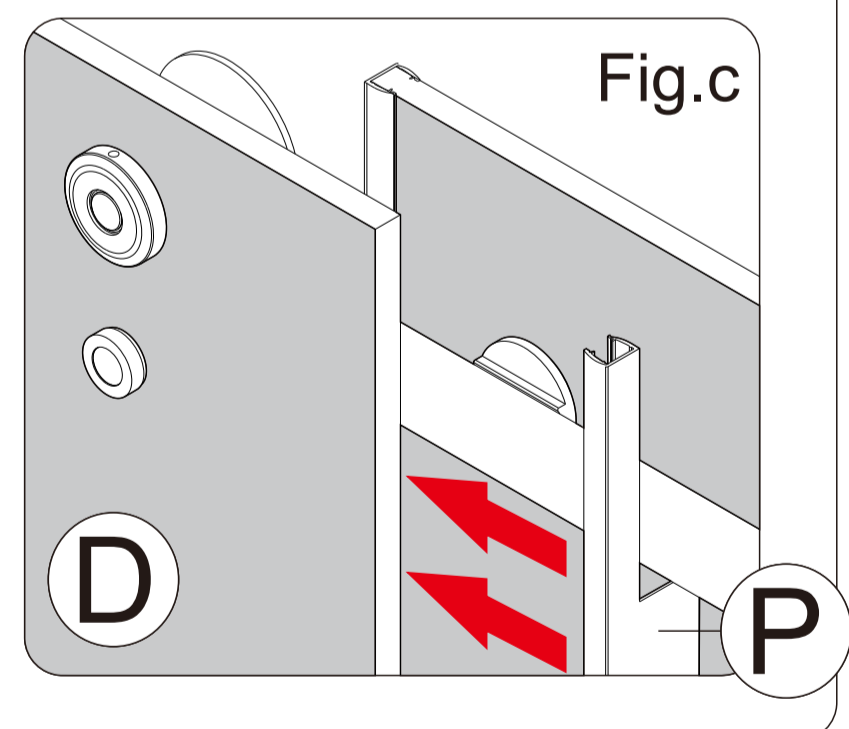
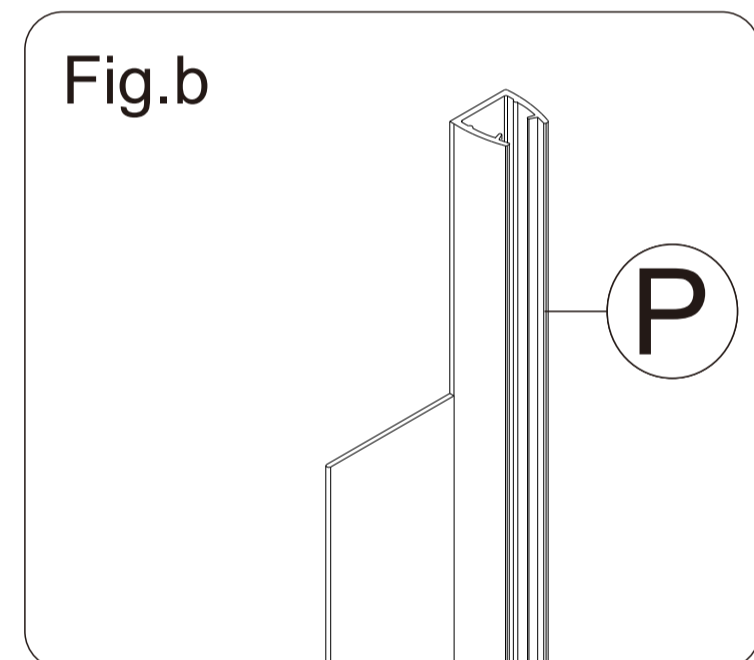
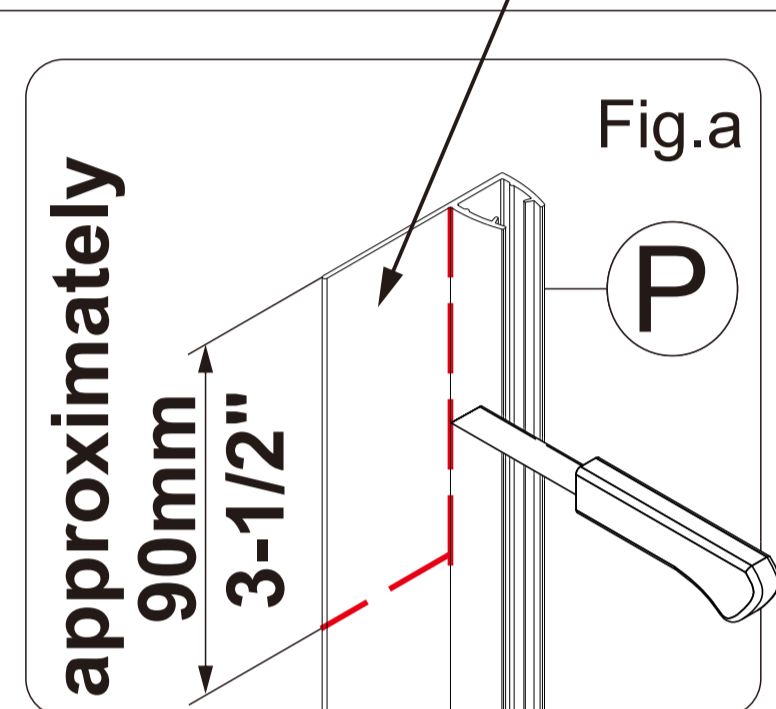
**31** Install the **Anti-Water Strips(P)**

**NOTE**

1. According to the installation direction, cut the soft edge of the **Anti-Water Strips(P)** as Fig.a and Fig.b .
2. Install the **Anti-Water Strips(P)** on the **Glass Door(D)** as Fig.c .



Cut according to the mounting direction



**Note:** The shower door can be installed left or right, according to the need to determine the installation direction.

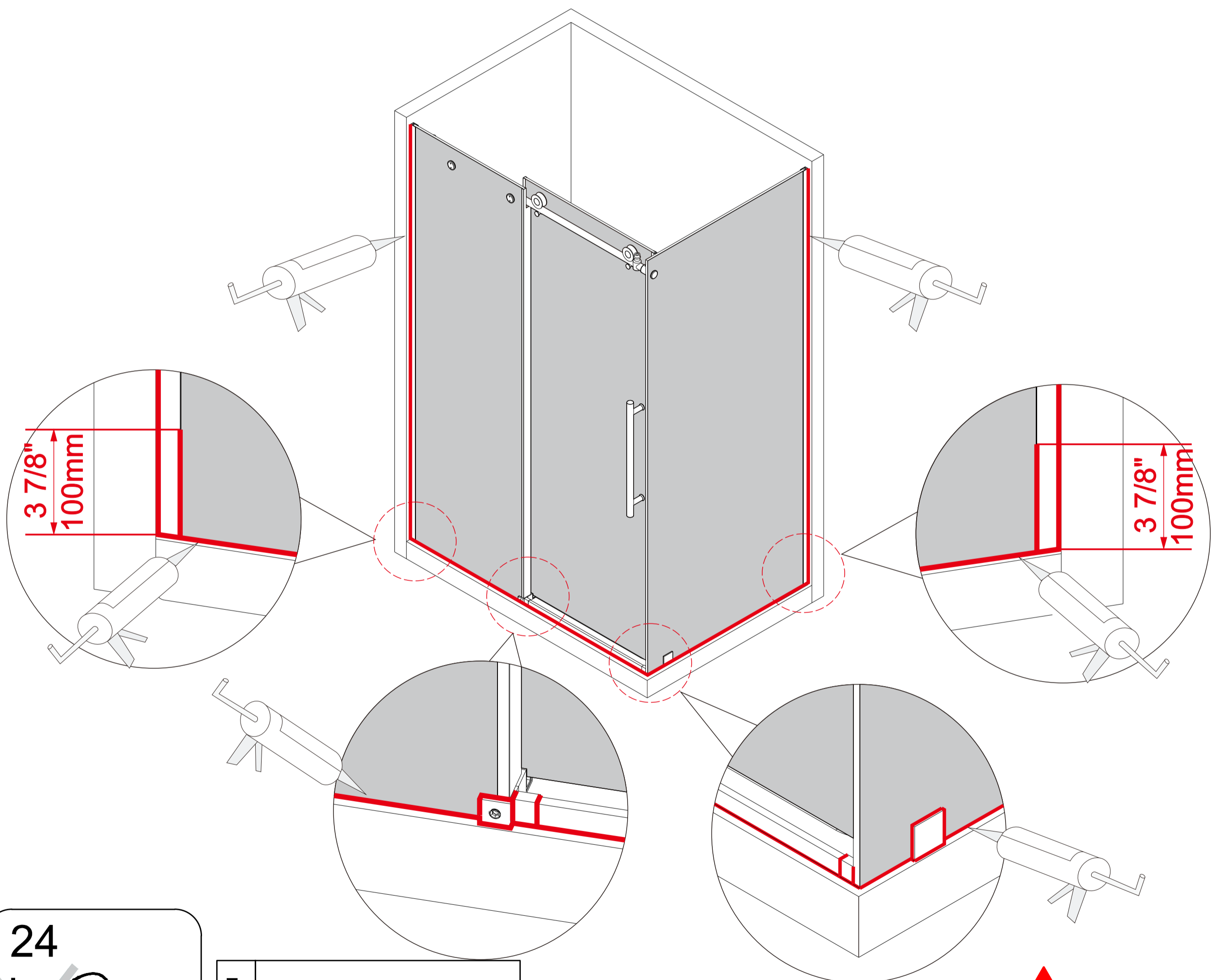
## 32 SEALING

**NOTE** The surfaces need to be clean and free of debris before applying silicone.

**NOTE** Make sure that the Shower door closes tightly and opens smoothly. Apply a good quality silicone sealant along the **Wall Jamb(L)** and **Alu. Threshold(B)**.



Allow 24 hours for the silicone to cure before using the shower.



**!** Apply Silicone Sealant, (not supplied).



The shower room needs to be sealed inside and out

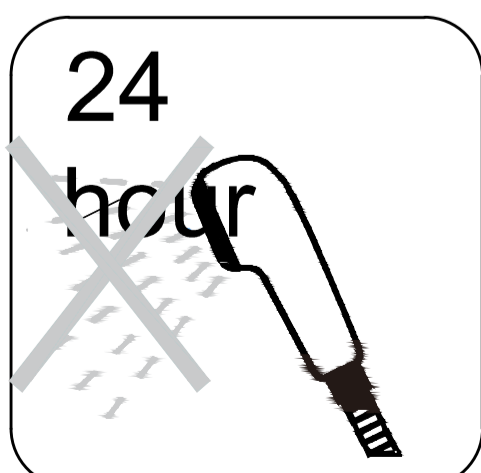
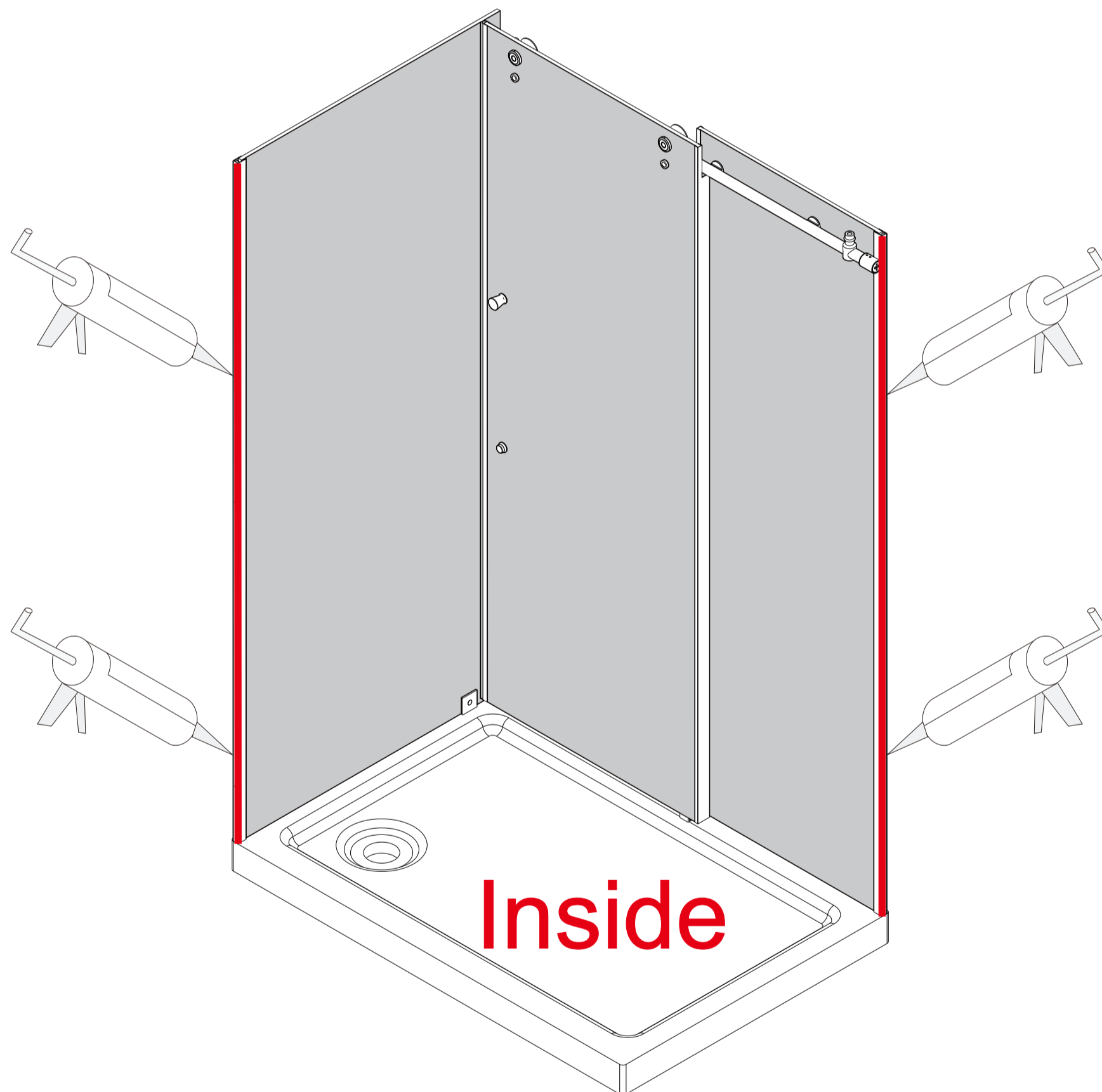
## 33 SEALING

**NOTE** The surfaces need to be clean and free of debris before applying silicone.

**NOTE** Make sure that the Shower door closes tightly and opens smoothly. Apply a good quality silicone sealant along the **Wall Jamb(L)**



Allow 24 hours for the silicone to cure before using the shower.



**!** Apply Silicone Sealant, (not supplied).



The shower room needs to be sealed inside and out