

Products / Dining Tables / Pal Table 90 Iroko Wood Legs

# Pal table 90 iroko wood legs

by Karim Rashid

**Pal** is, as the name suggests, a friendly and modern line of **indoor & outdoor furniture design** by Karim Rashid for the Spanish brand Vondom. This collection is a selection of **exclusive, minimalistic and colorful collections** of design furniture.



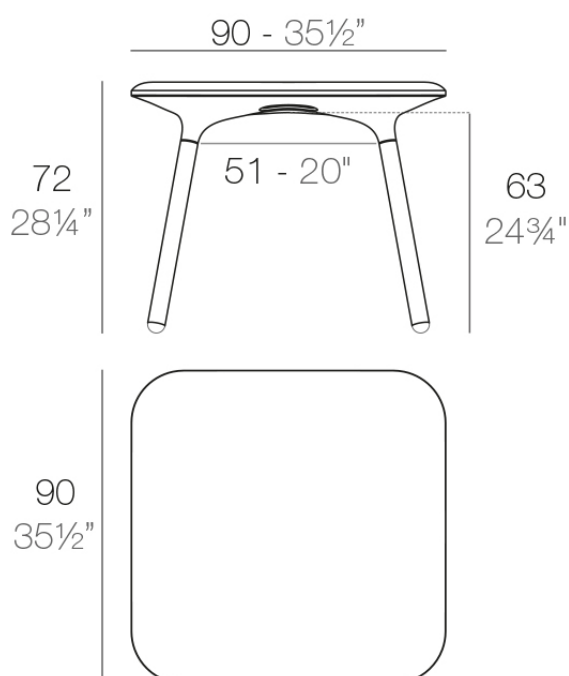
# Info

---

## Description

Made of polyethylene resin by rotational moulding. 100% Recyclable. Item suitable for indoor and outdoor use. Available in different finishes.

Weight: 12.63 Kg



PAL Mesa 90x90  
PAL Table 35 1/2"x35 1/2"

# Finishes

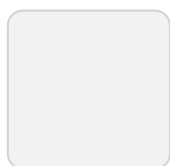
---

## finishes

---

### BASIC

Ref. 51028



ice



purjai red



white



black



bronze



steel



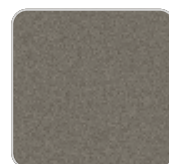
anthracite



red



khaki



taupe



ecru



beige



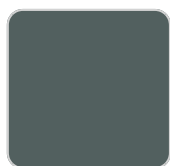
orange



notte blue



crema



green

### Matt Polyethylene

### LACQUERED

Ref. 51028F



ice



purjai red



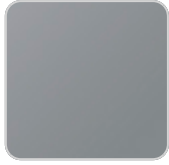
white



black



bronze



steel



anthracite



champany



red



khaki



taupe



ecru



beige

## Lacquered Polyethylene

# Ambients

---

