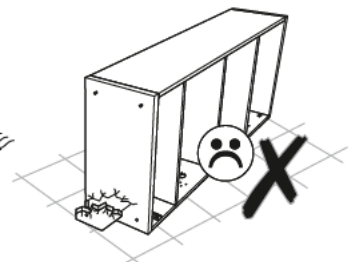
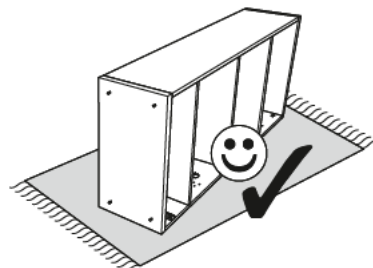
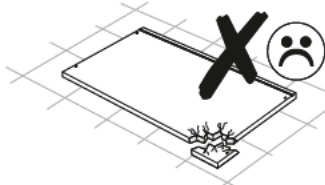
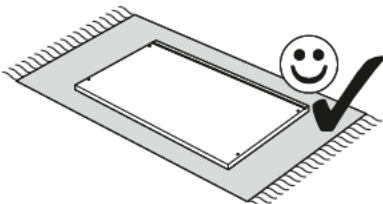
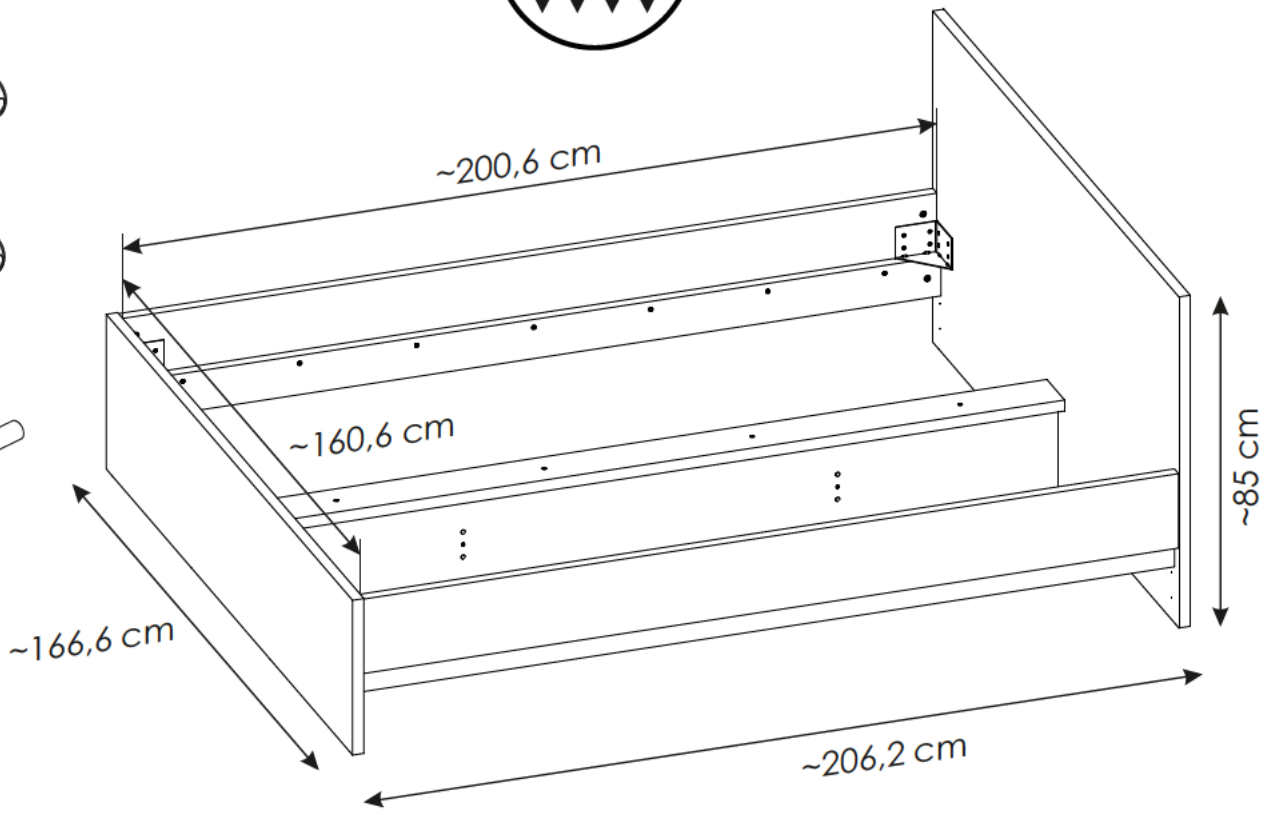
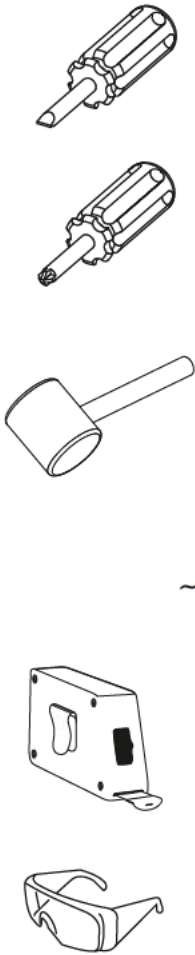
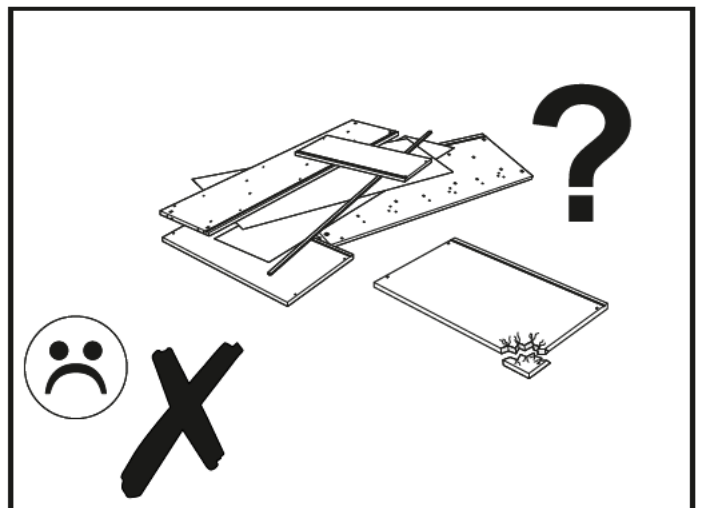
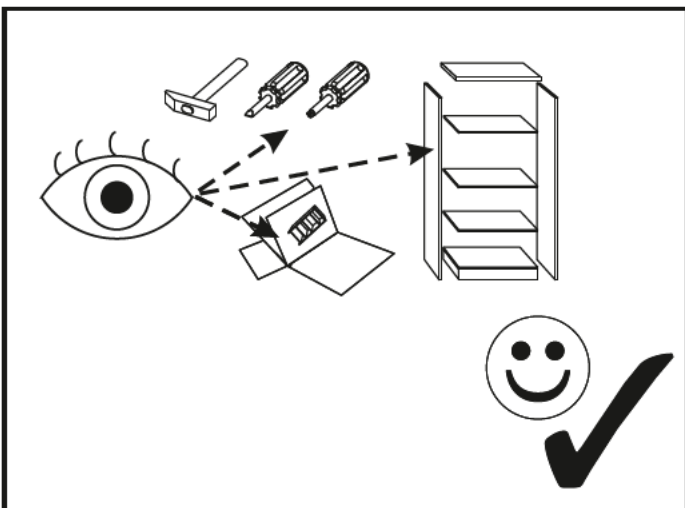
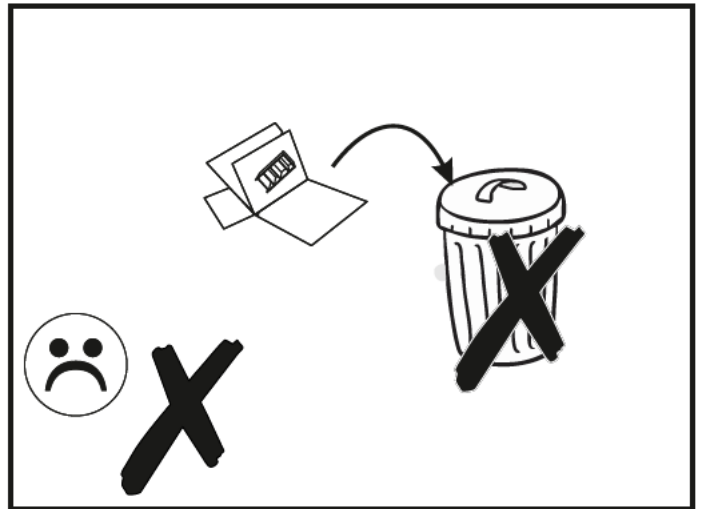
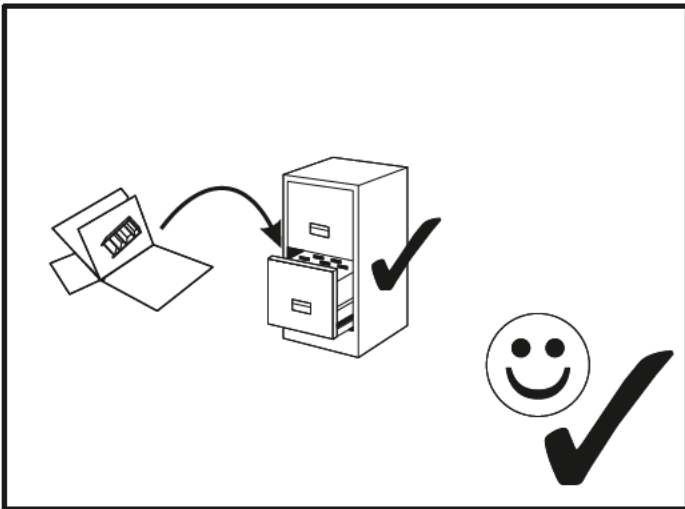
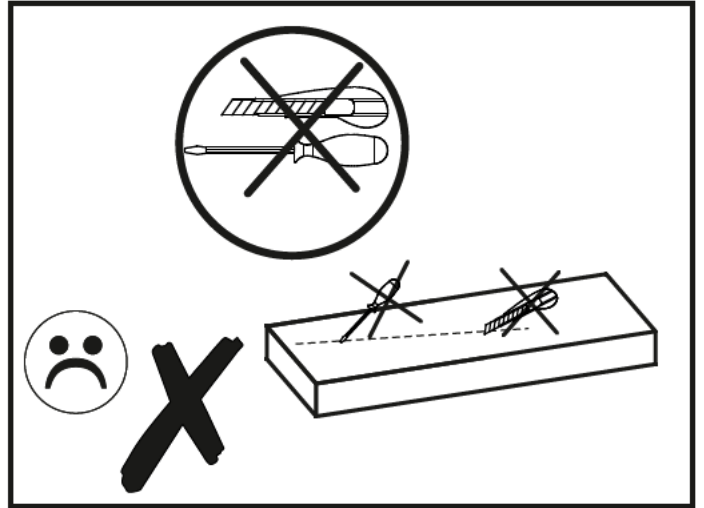
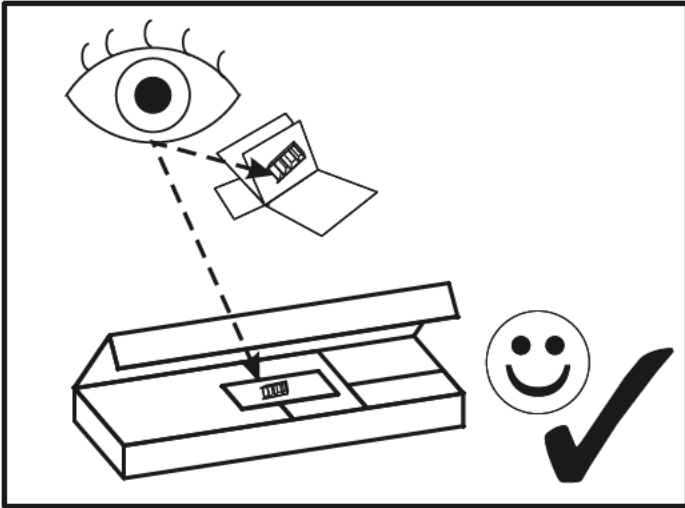
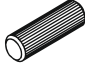


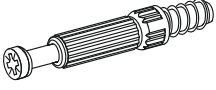

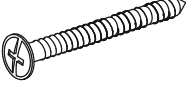
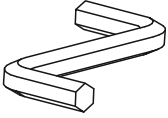
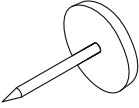
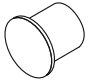
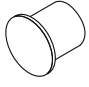
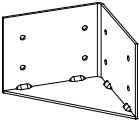


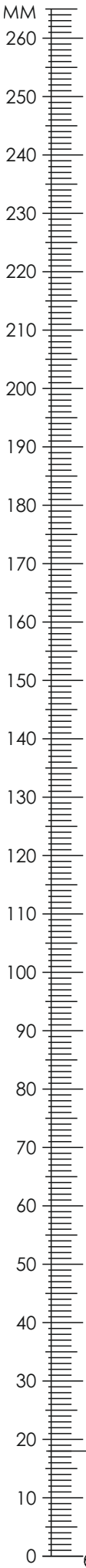


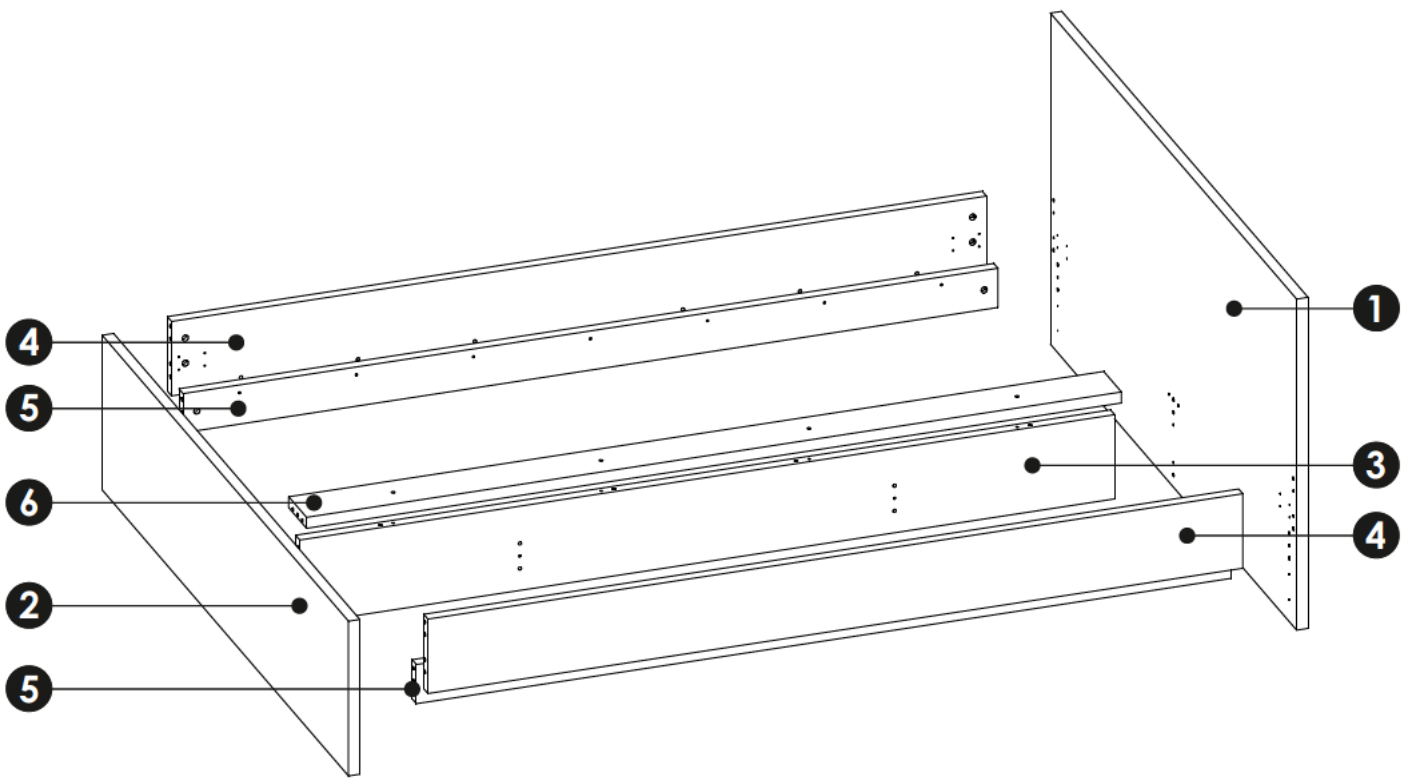
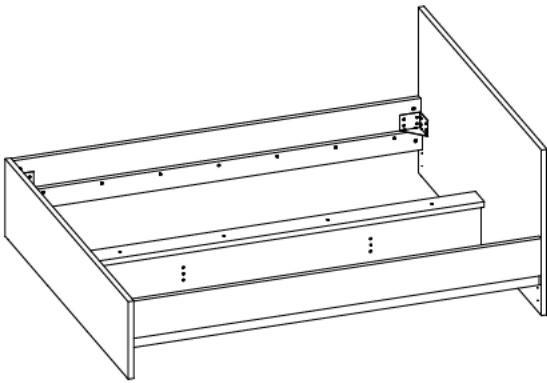
70 min



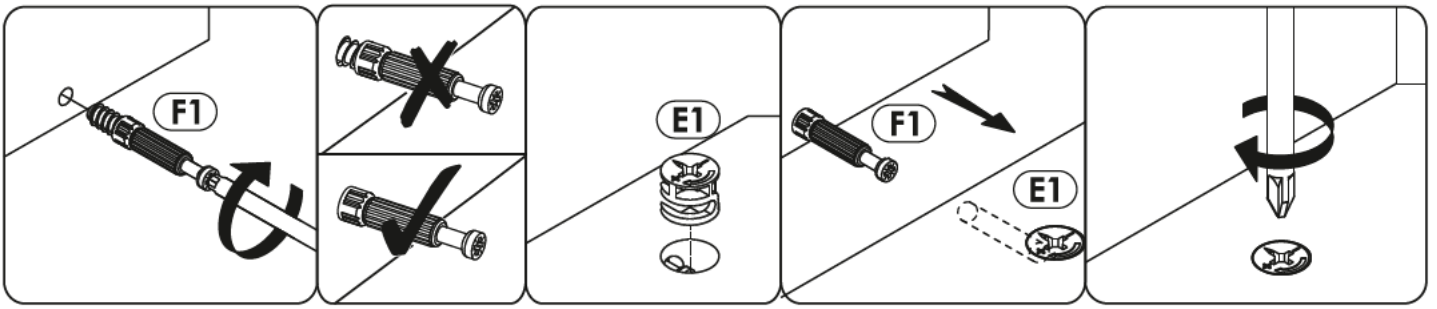


A1 8 x 35 mm x38 	C2 5 x 13 mm x32 	E1 15 x 12 mm x20 
F1 6 x 34 mm x20 	G2 7 x 60 mm x4 	I15 4 x 50 mm x14 
M x1 	O2 x12 	P0 x4  Ø5
P2 x8  Ø8	W x4 	

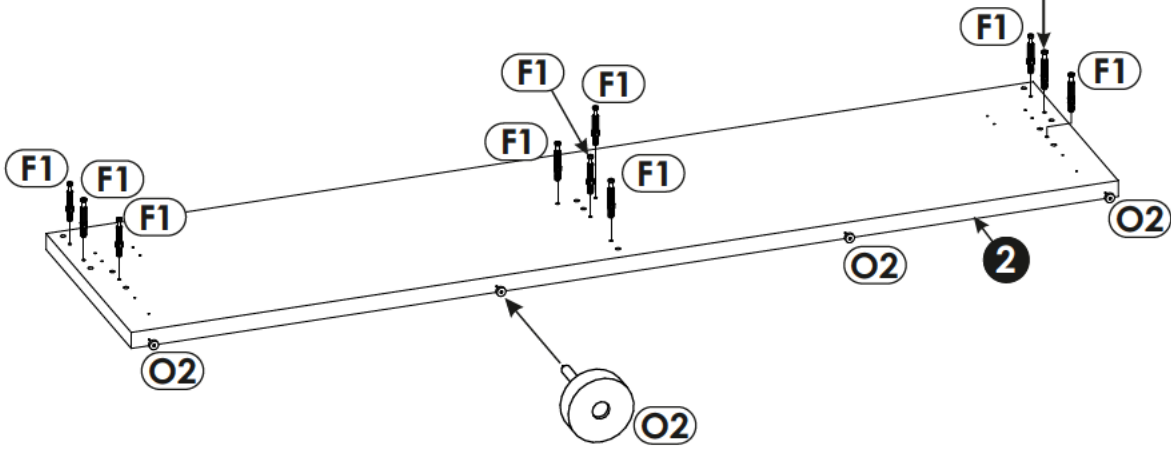
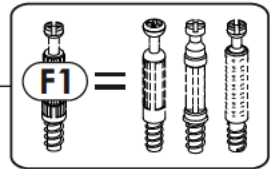
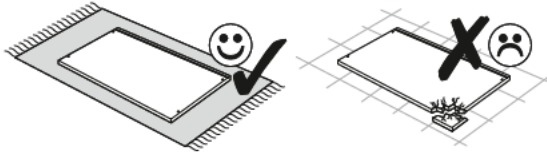




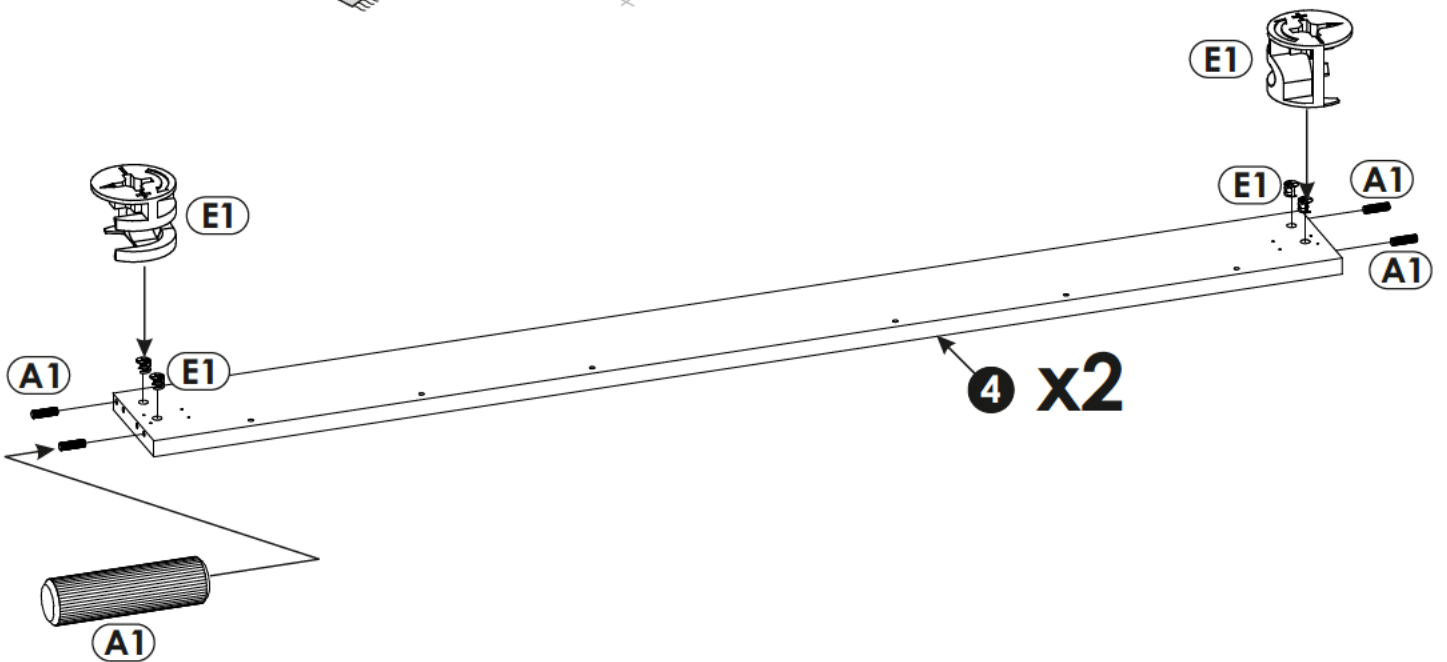
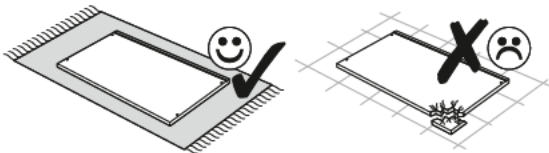
1	1666	845	28 x1	3/3
2	1666	395	28 x1	2/3
3	215	2006	28 x1	2/3
4	2006	190	28 x2	1/3
5	100	2006	28 x2	1/3
6	120	2006	28 x1	2/3



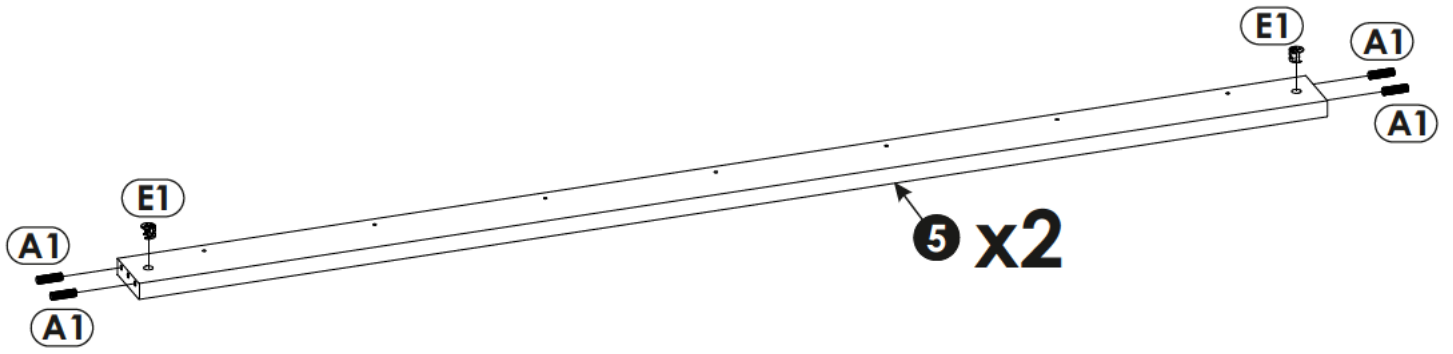
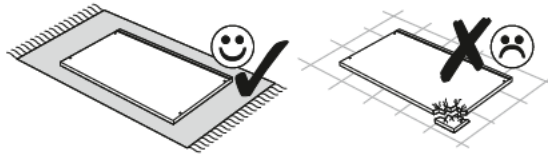
1 ▶



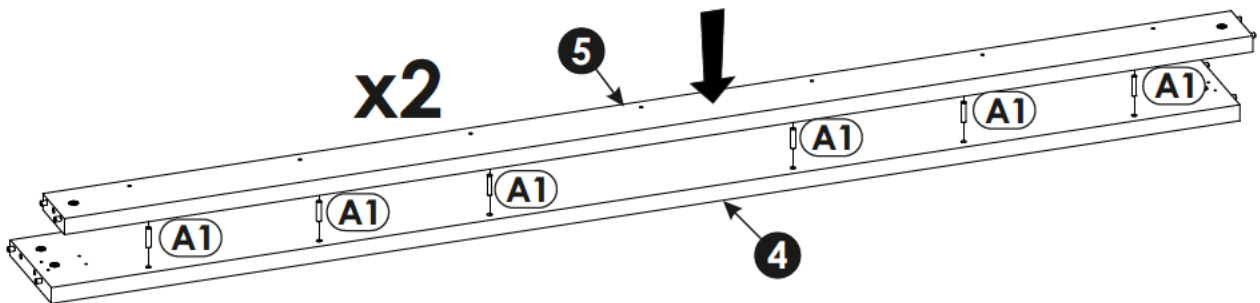
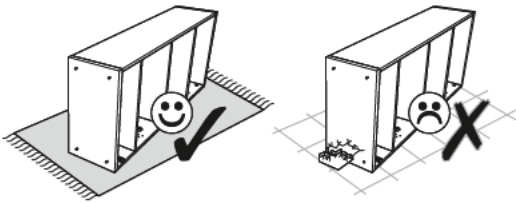
2 ▶

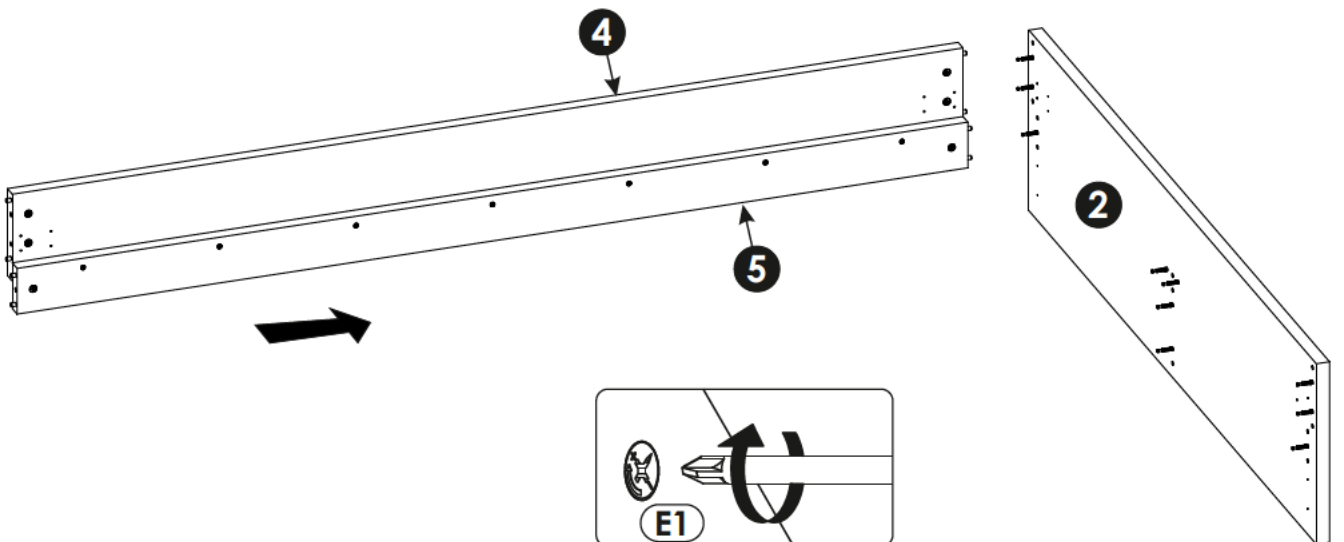
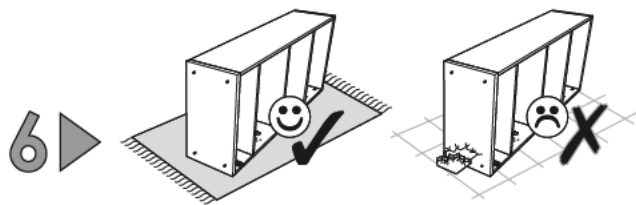
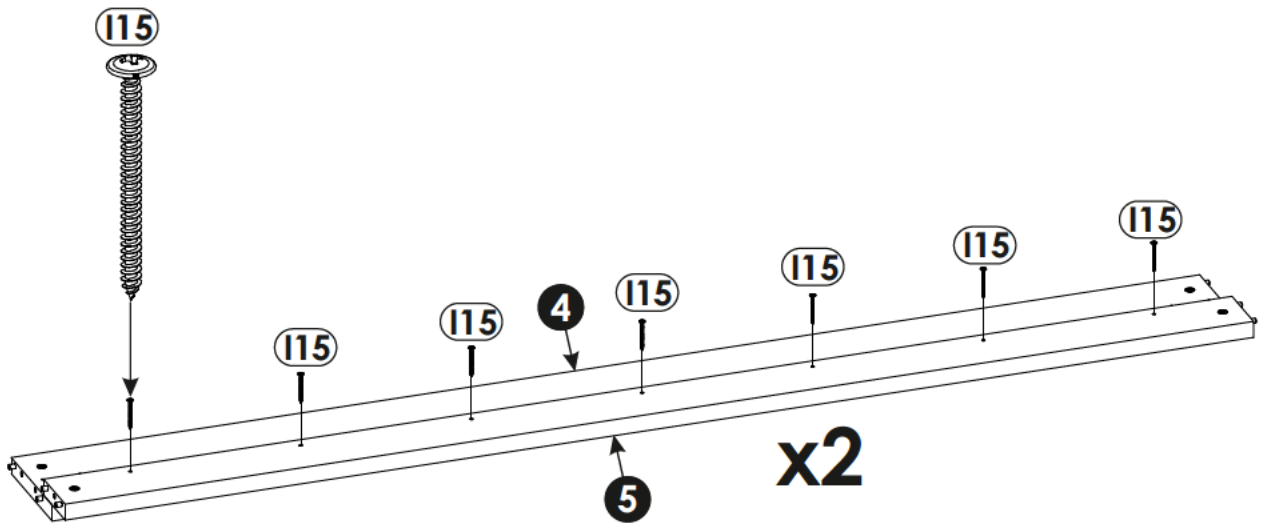
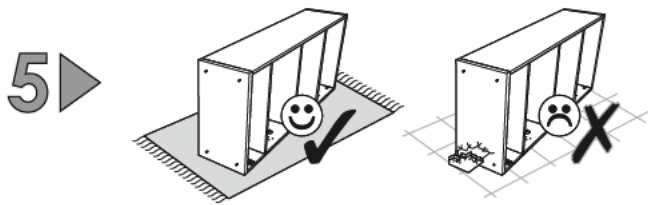


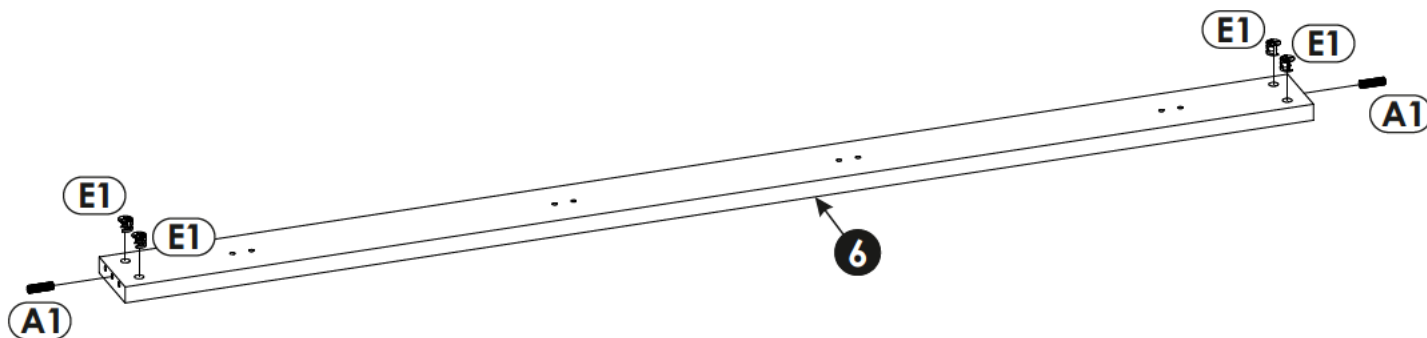
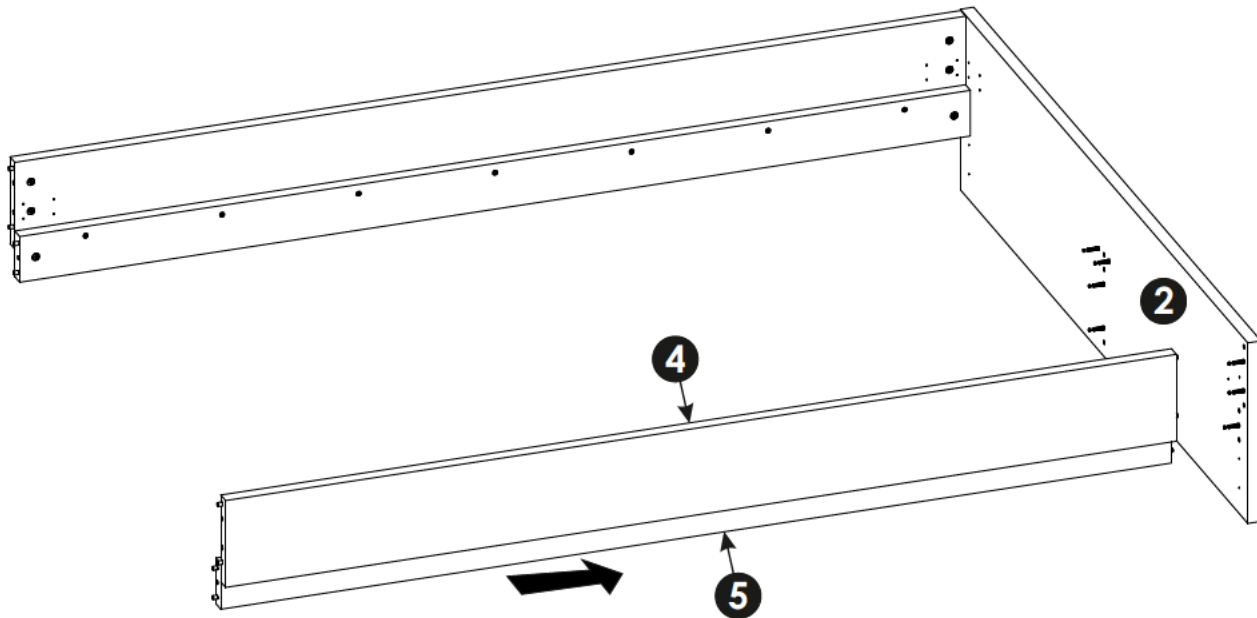
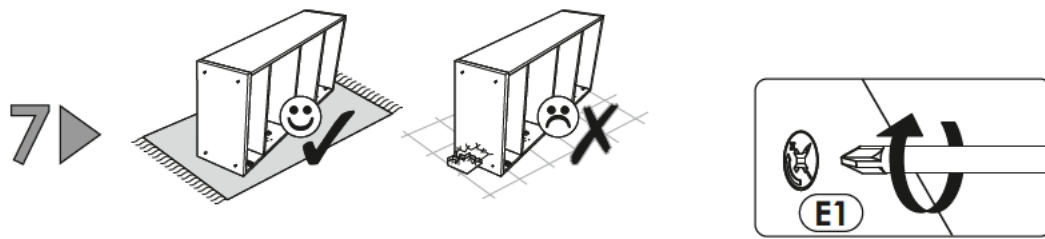
3 ▶

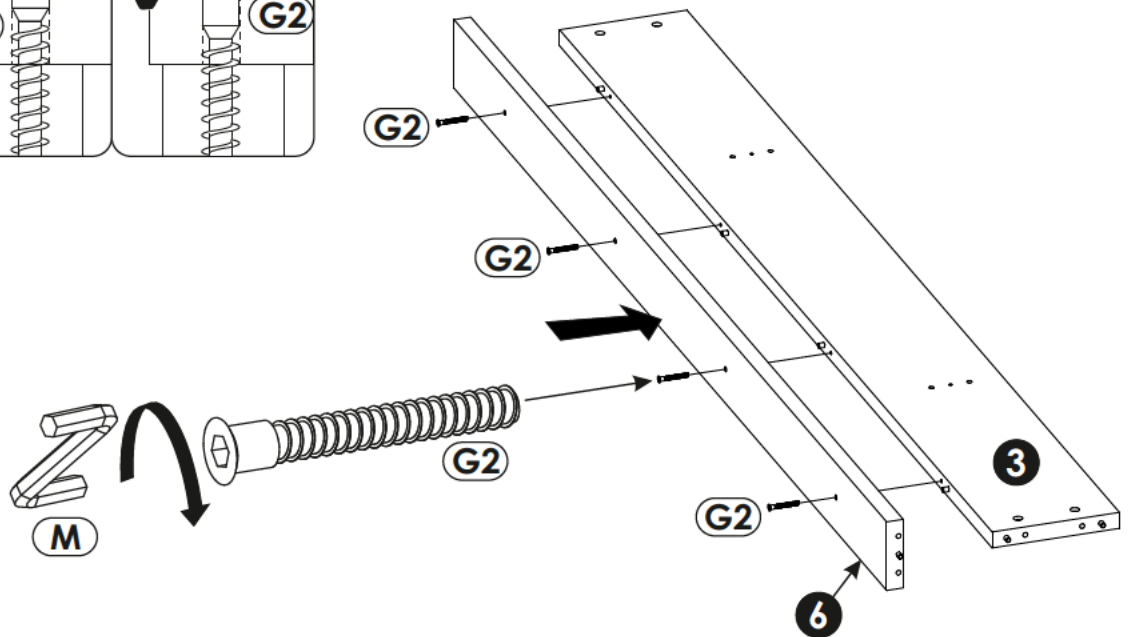
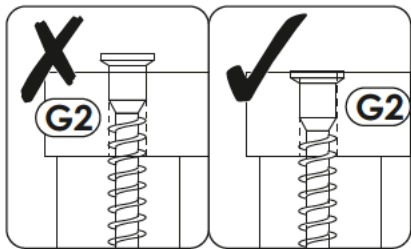
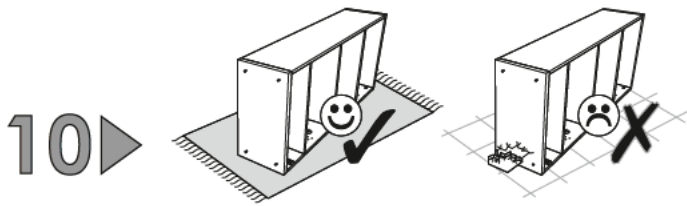
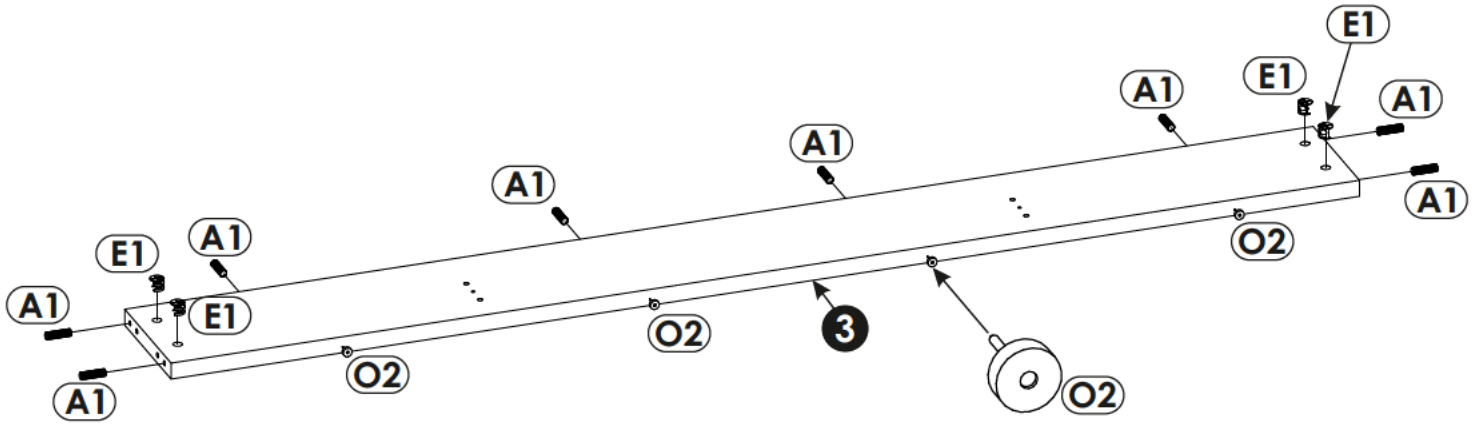


4 ▶

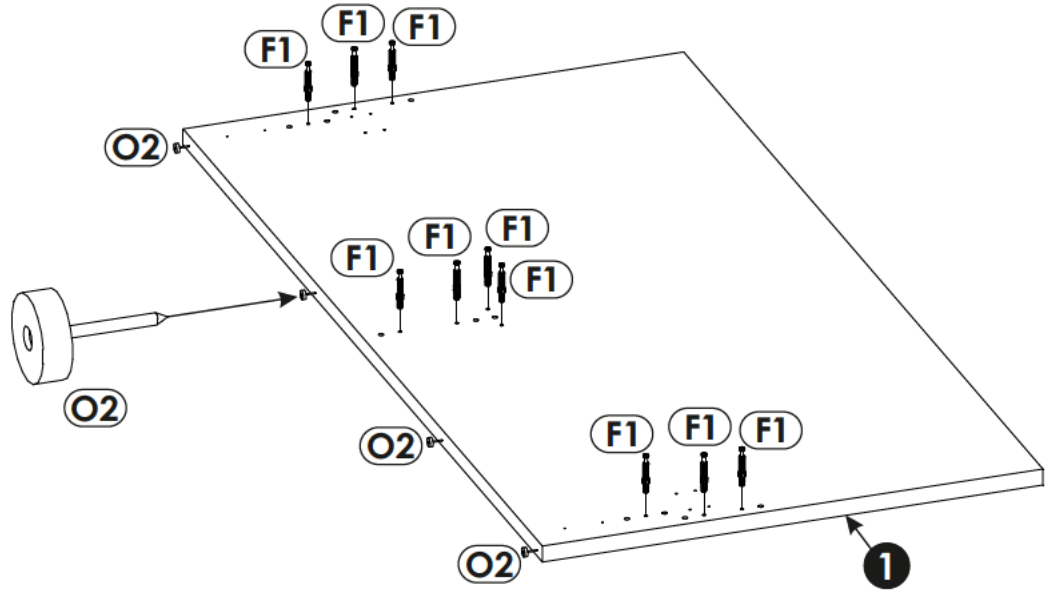
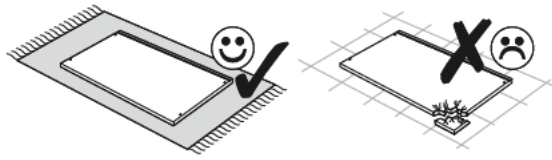




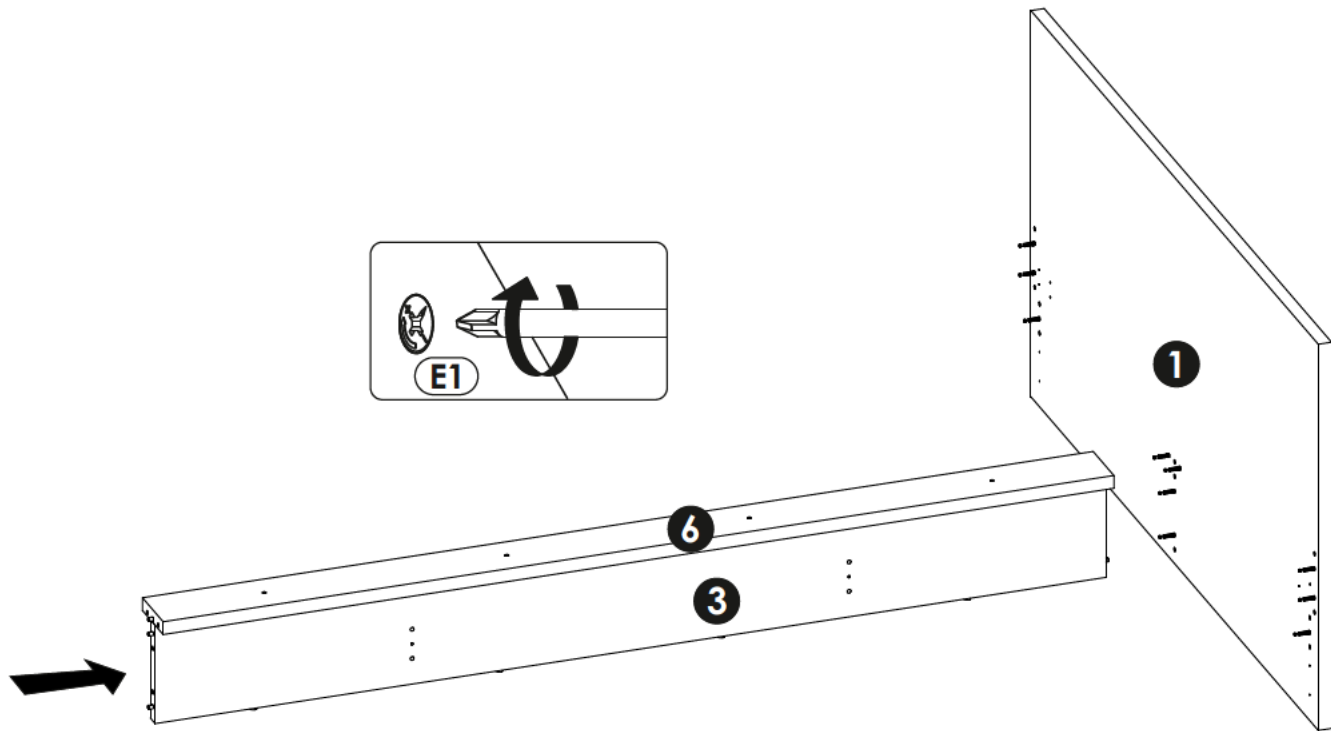
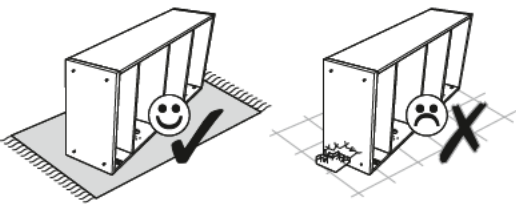




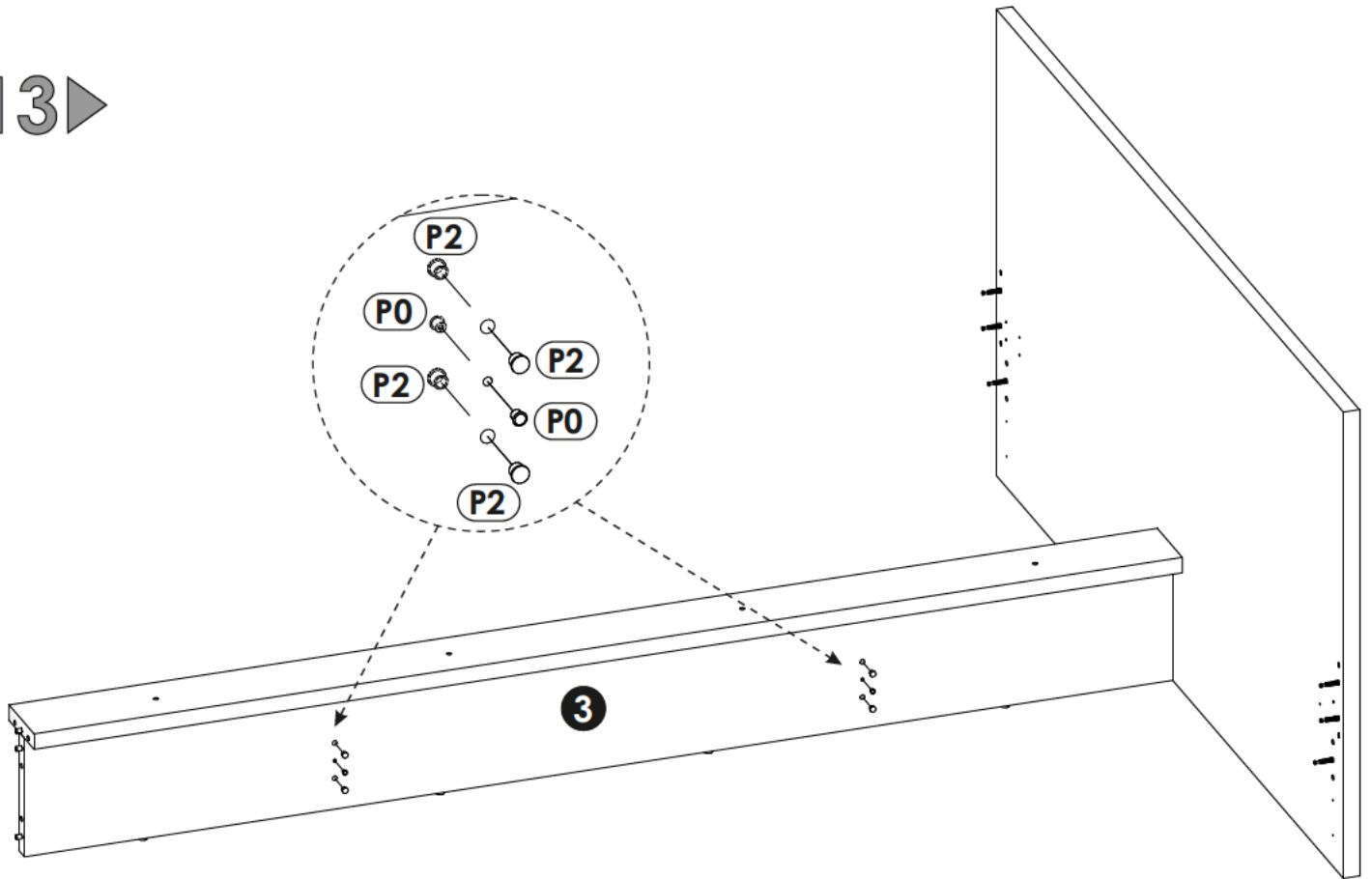
11 ▶



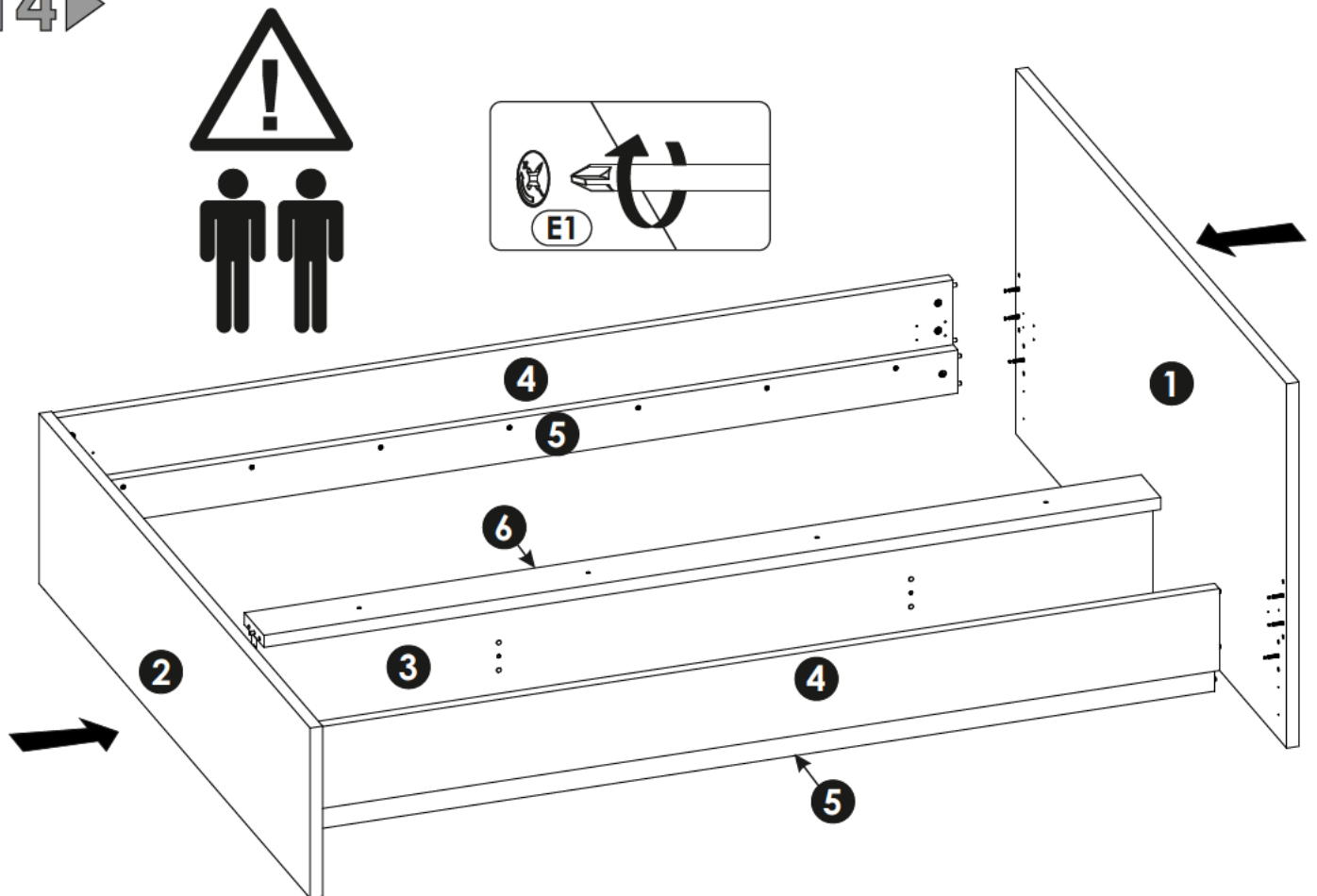
12 ▶



13▶



14▶



15▶

