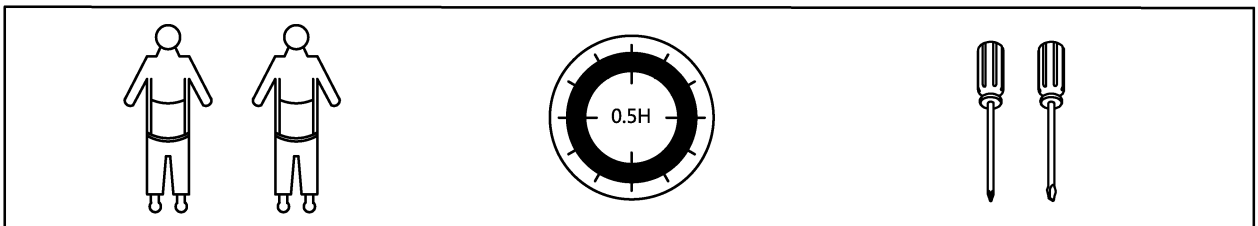
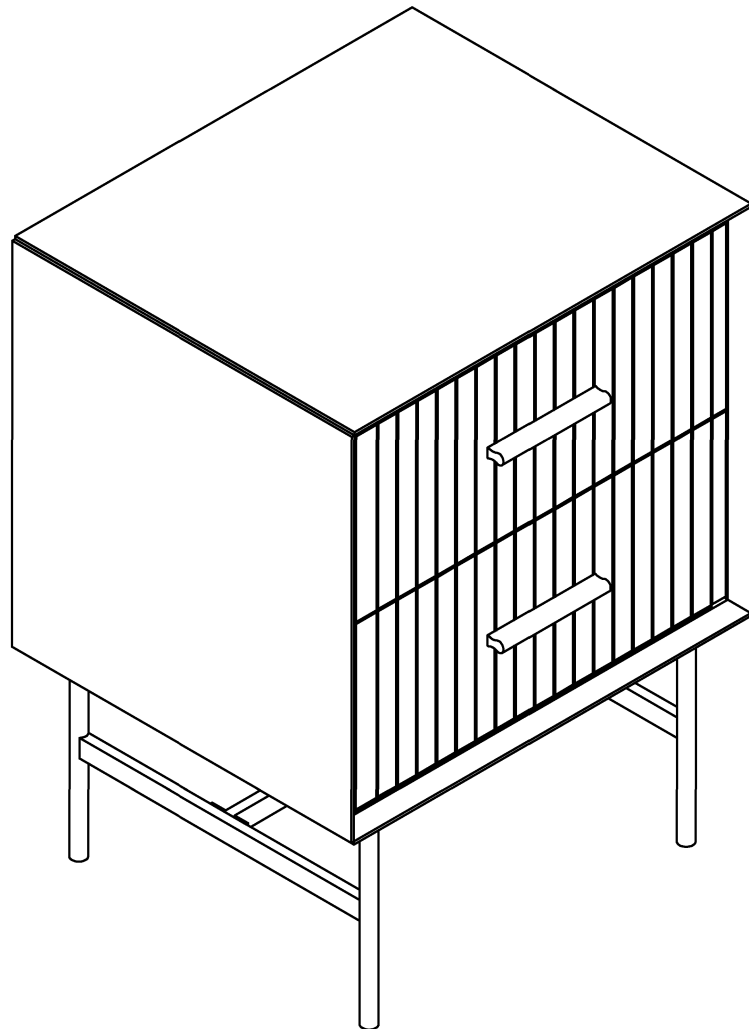
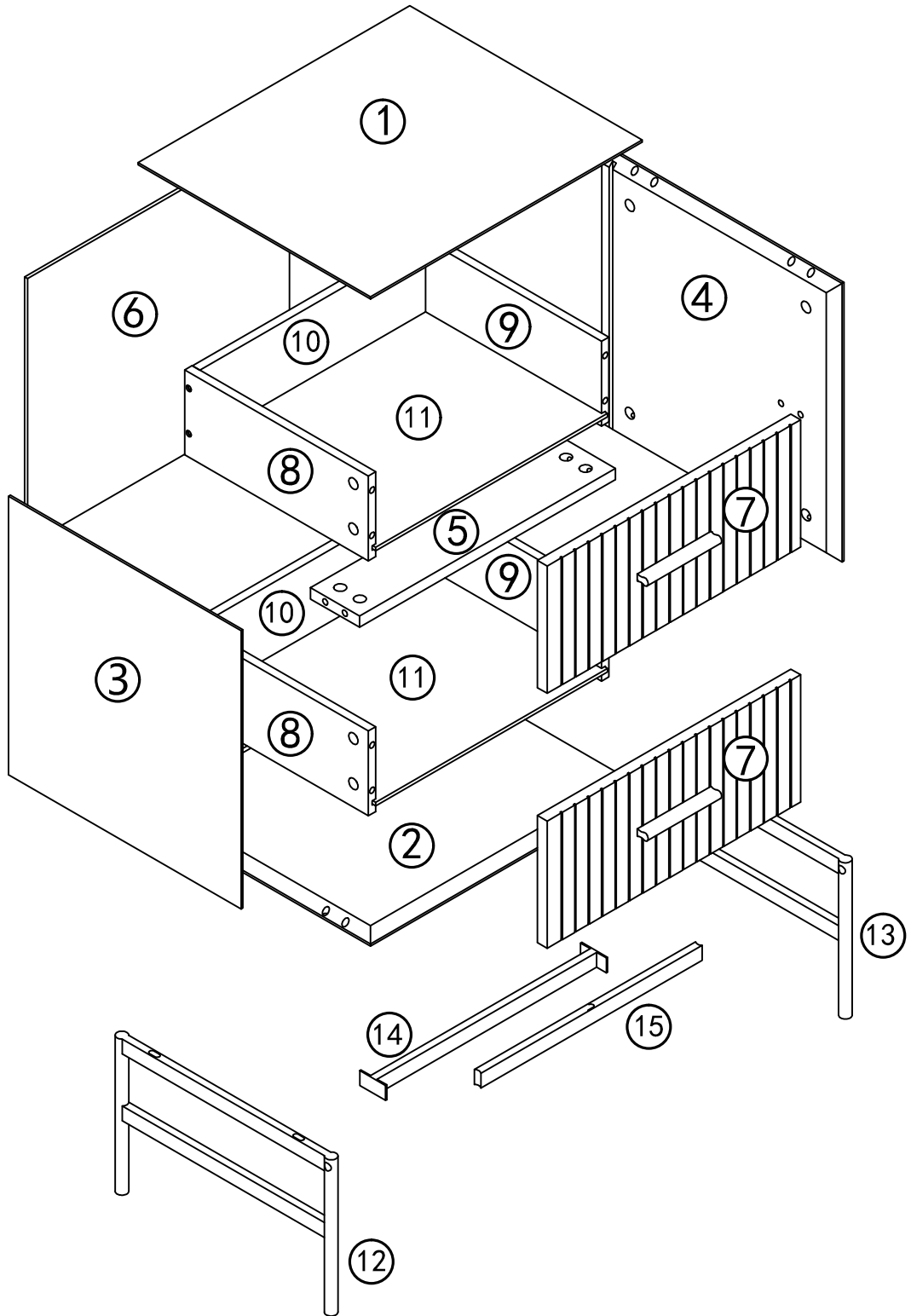


INSTRUCTIONS

SIDE TABLE WITH TWO DRAWERS

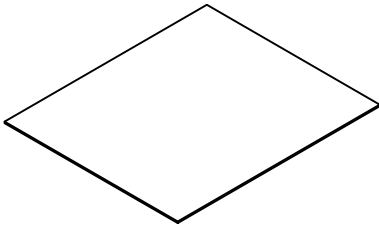




Board Identification

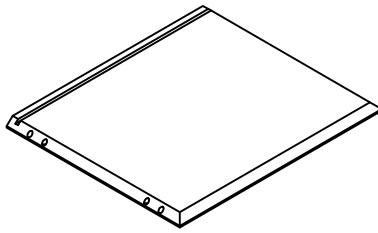
Not actual size

①(X1)



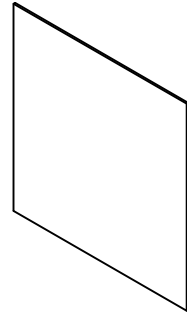
Roof

②(X1)



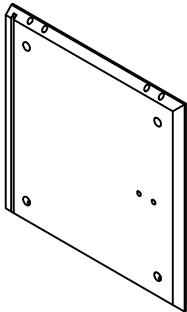
Floor

③(X1)



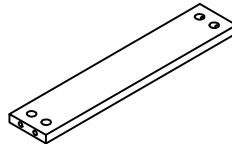
Left Side Plate

④(X1)



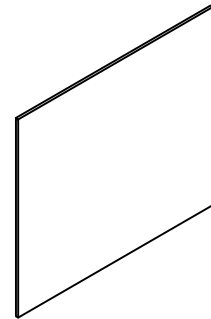
Right Side Plate

⑤(X1)



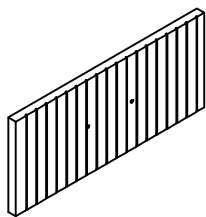
Drawer Baffle

⑥(X1)



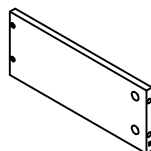
Back Board

⑦(X2)



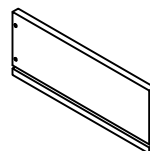
Drawer Panel

⑧(X2)



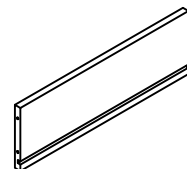
Drawer Left Panel

⑨(X2)



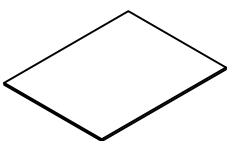
Drawer Right Panel

⑩(X2)



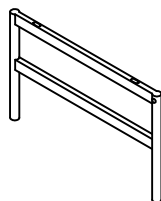
Drawer Back Panel

⑪(X2)



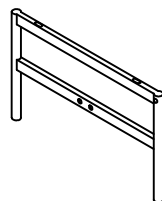
Drawer Bottom Plate

⑫(X1)



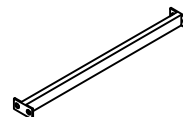
Left Tripod

⑬(X1)



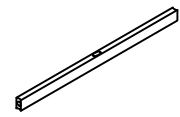
Right Tripod

⑭(X1)



Middle Pull Rod

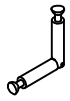
⑮(X1)



Front Tension Bar

Part List

Not actual size



A (X8+1)



Ø15
B (X20+1)



Ø15
C (X40+1)



Ø6*30
D (X8+1)



L=24.5
E (X4+1)



M3.5*14
F (X16+1)



M6*30
G (X7+1)



M6*10
H (X4+1)



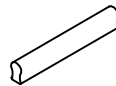
M4
I (X1)



L=24.5
J (X8+1)



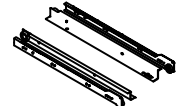
M3.5*35
K (X8+1)



L=120
L (X2)



M4*16
N (X4+1)



L=300
M (X2)



M3.5*14
O (X4+1)

STEP 1



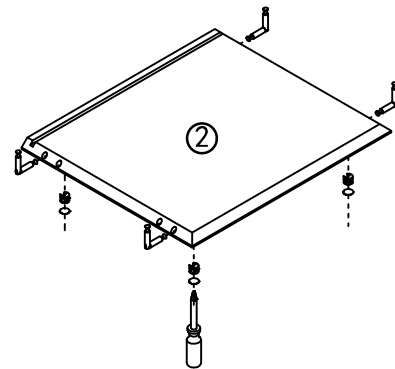
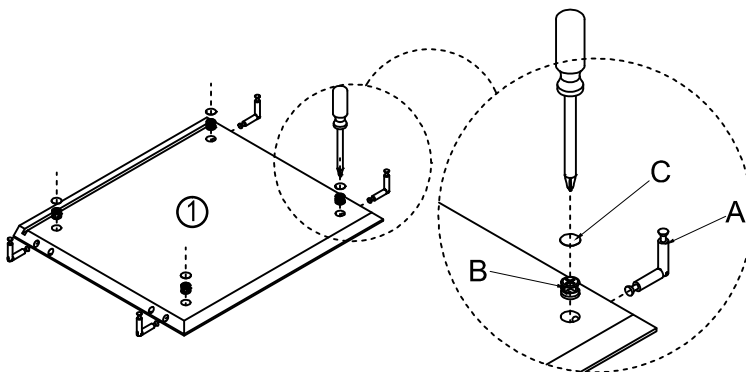
A (X8)



Ø15
B (X8)



Ø15
C (X8)



STEP 2



Ø6*30
D (X8)



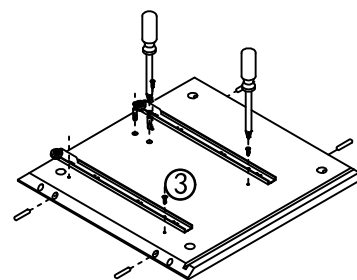
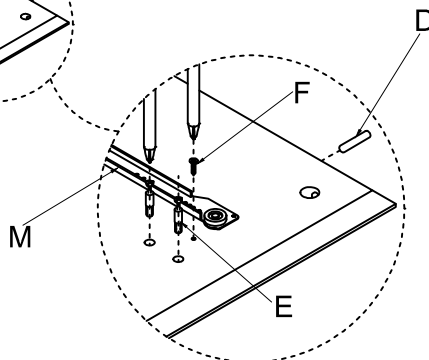
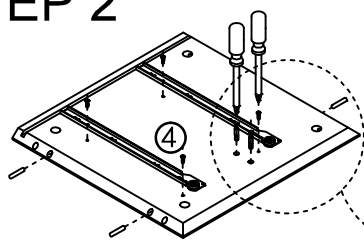
L=24.5
E (X4)




M3.5*14
F (X8)



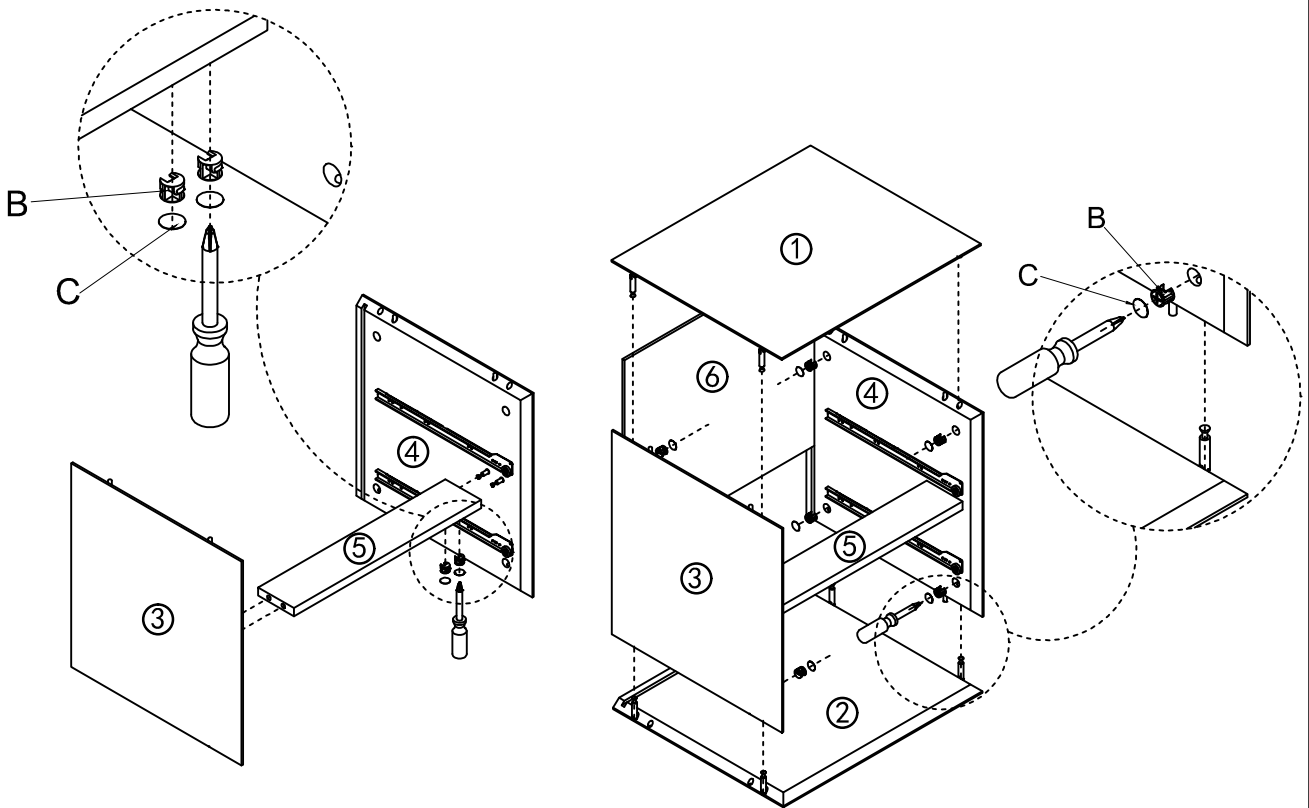
L=300
M (X2)



STEP 3


Ø15
B (X12)


Ø15
C (X12)

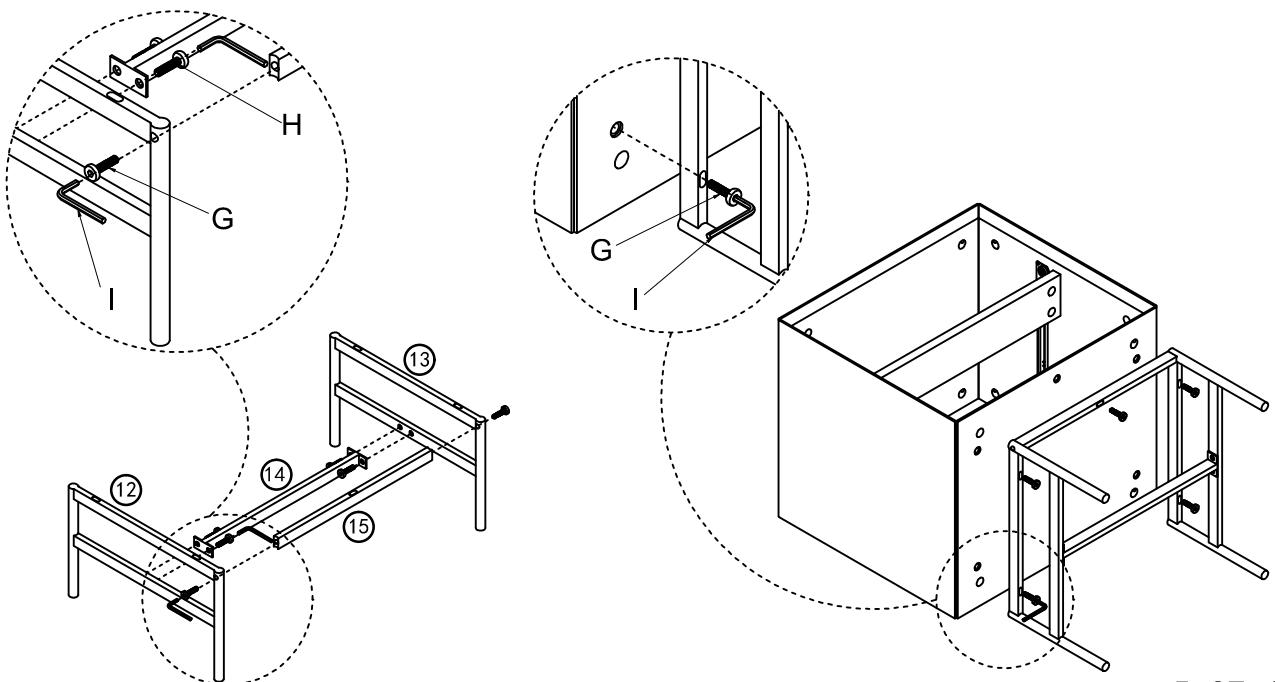


STEP 4





M6*10
H (X4)

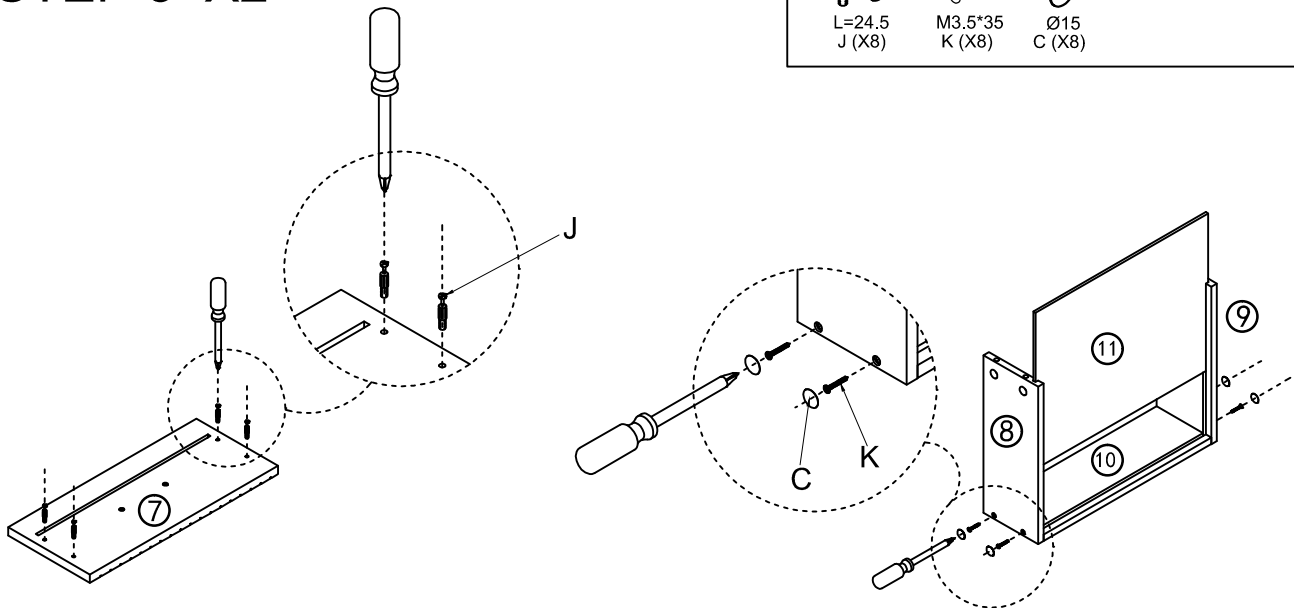

M4
I (X1)


M6*30
G (X7)









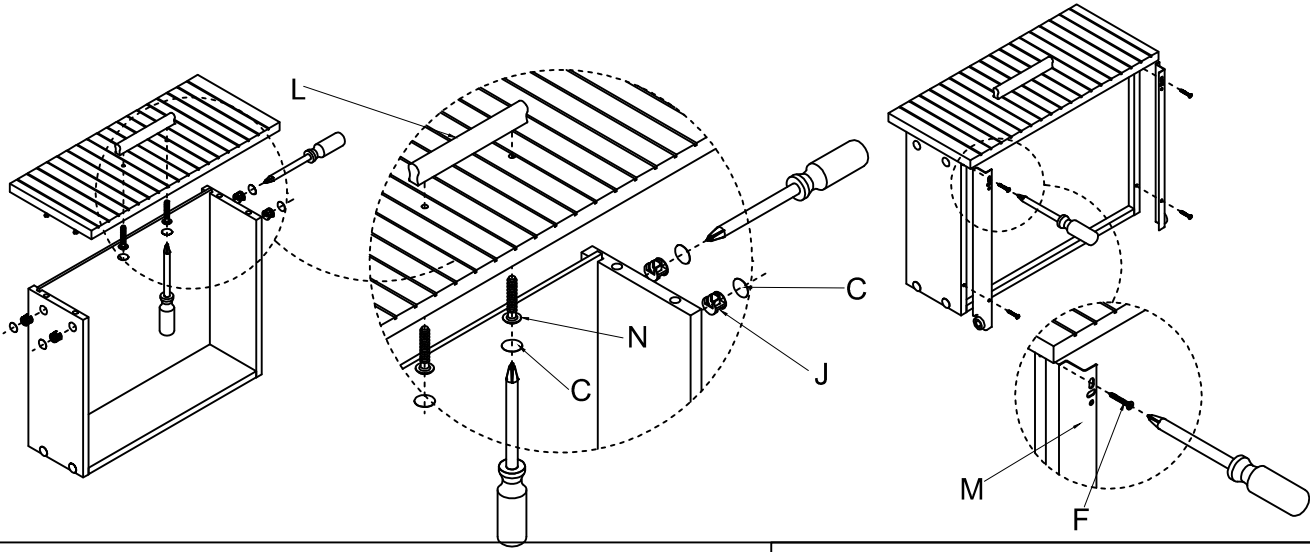
STEP 5 X2

-  L=24.5
J (X8)
-  M3.5*35
K (X8)
-  Ø15
C (X8)



STEP 6 X2

-  L=120
L (X2)
-  M4*16
N (X4)
-  Ø15
C (X12)
-  L=24.5
J (X8)
-  L=300
M (X2)
-  M3.5*14
F (X8)



STEP 7

-  M3.5*14
O (X4)

