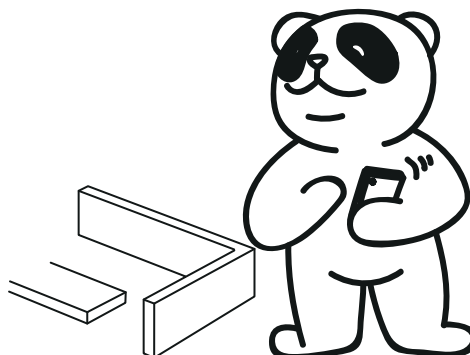
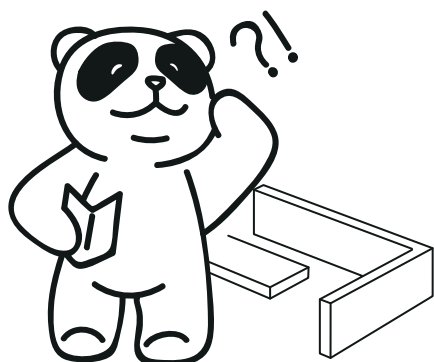
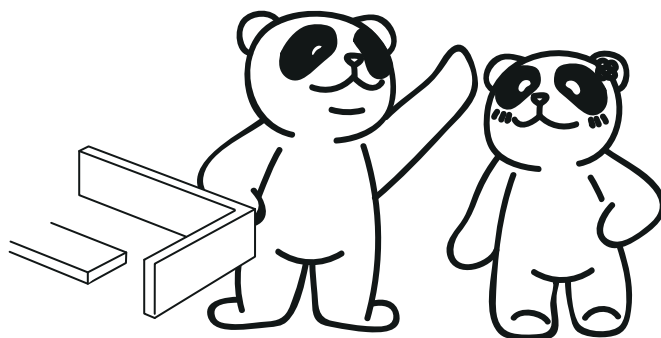
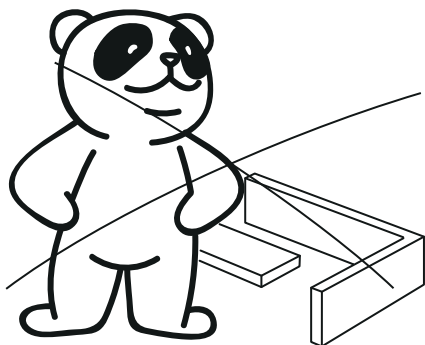


Violent installation is prohibited

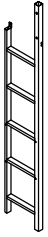


Please call if you need help



Multi-person cooperation is recommended

Assembly Instruction



1

x1



2

x1



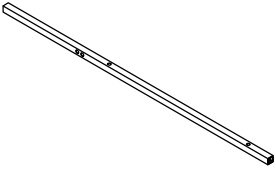
3

x1



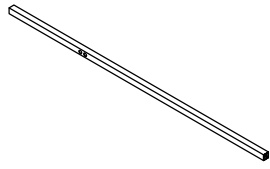
4

x1



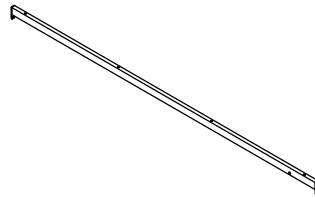
5

x1



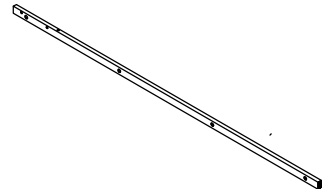
6

x1



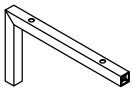
7

x1



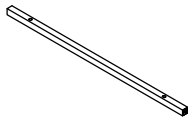
8

x1



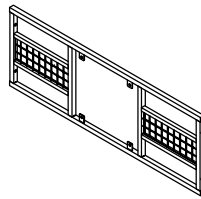
9

x1



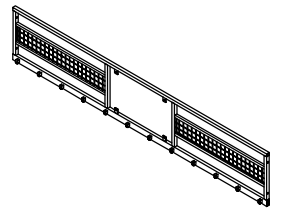
10

x3



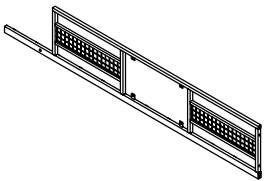
11

x2



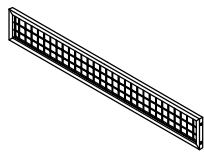
12

x1



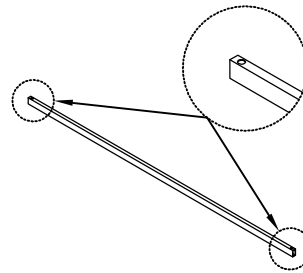
13

x1



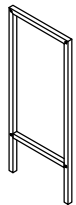
14

x1



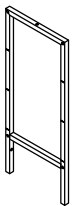
15

x4



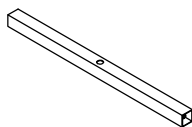
16

x1



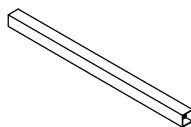
17

x1



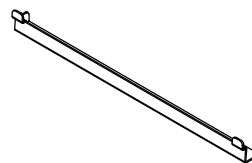
18

x1



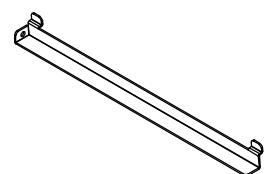
19

x3



20

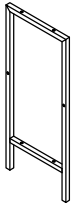
x3



21

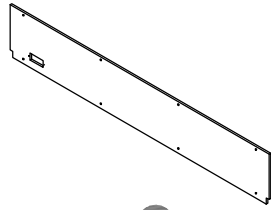
x3

Assembly Instruction



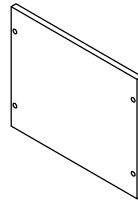
22

x1



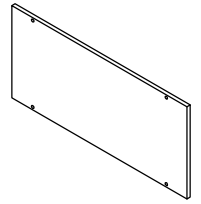
23

x1



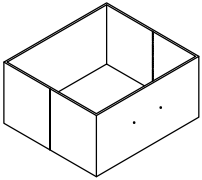
24

x1



25

x2



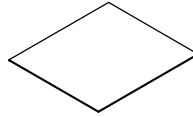
26

x3



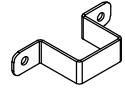
27

x3



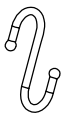
28

x3



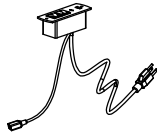
29

x2



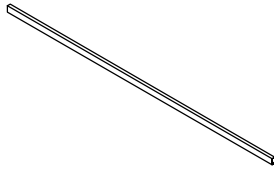
30

x5



31

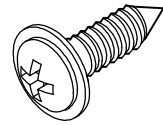
x1



32

x8

Hardware parts 2



Q

$\phi 4*10$

x6

Hardware parts 1



A

M8*35

x18



B

M6*50

x4



C

M6*60

x9



D

M8*60

x10



E

M8*15

x1



F

M6*10

x4



G

M5*25

x8



H

M6*28

x12



I

M6*35

x15



J

M6*45

x4



K

$\phi 3*12$

x2



L

x1



M

M5*30

x4



N

$\phi 8*40$

x4



O

S4

x1



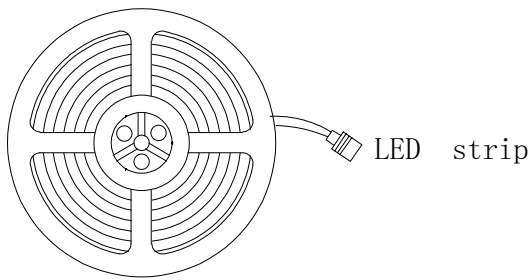
P

M8*45

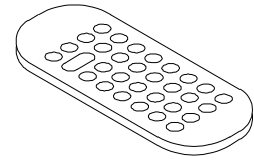
x2

Assembly Instruction

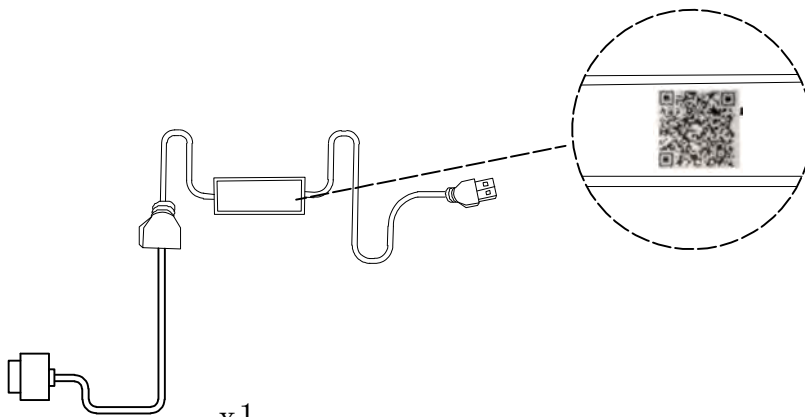
LED light strip electronic accessories list



x1
light bar



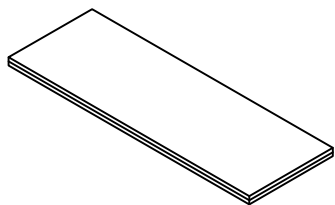
x1
Remote control



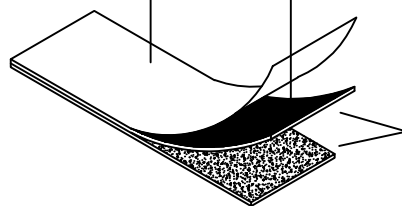
x1
Controller wire

There is a two-dimensional code at the position of the power line. Scanning can download the APP for the control light

Anti stick paper Gluing surface

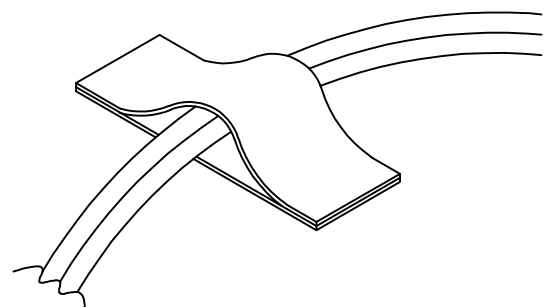


x5
Thread embedding buckle



velcro

When the wires are disordered, tear off the anti stick paper, paste it on the place where the wires pass, and then bind the wires.



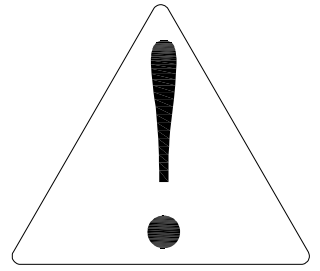
Assembly Instruction

Note:

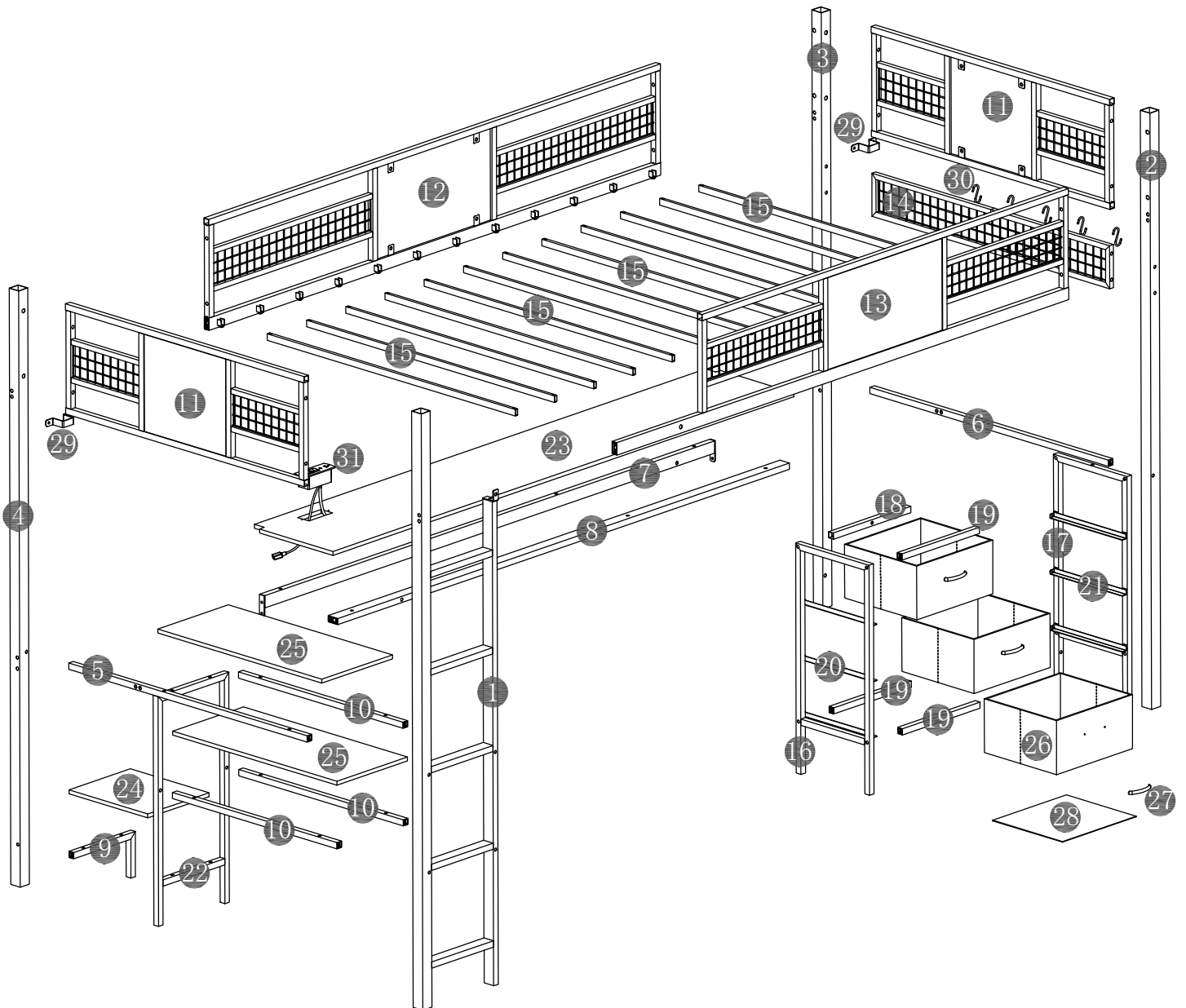
1. should be assembled on flat ground to keep balance.
2. Before completing the installation, do not tighten the screws.



It needs at least two people to install.





Before starting the assembly, you must read the whole manual and follow the instructions

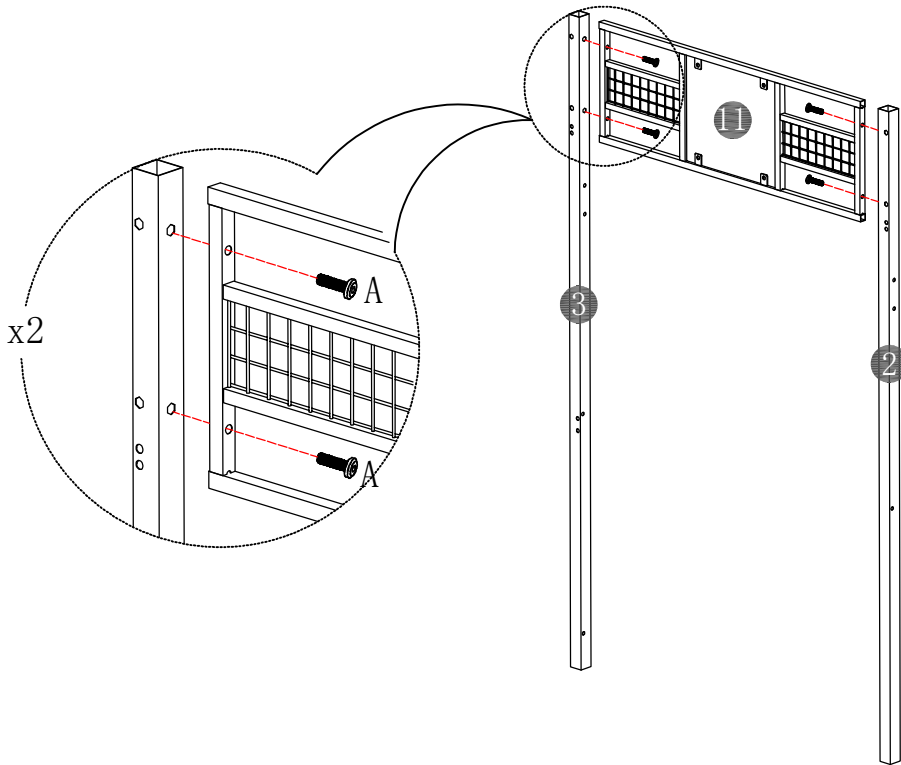


Assembly Instruction


1


A M8*35
 x4

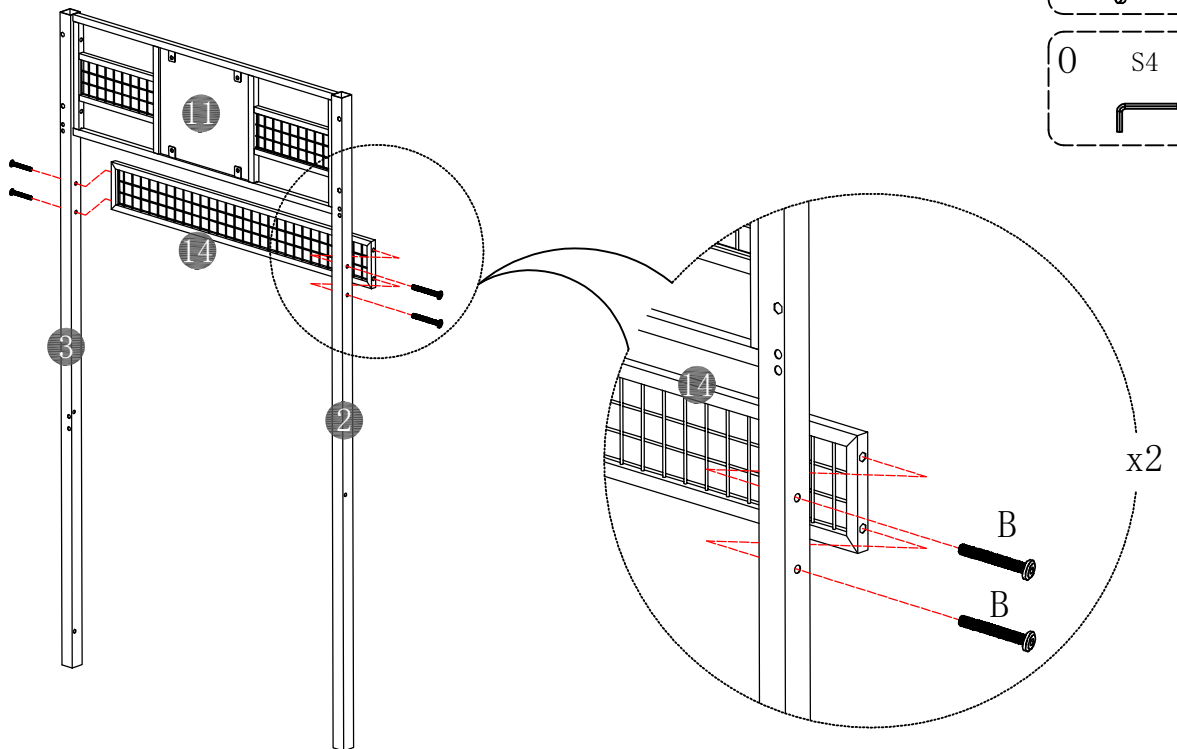
O S4
 x1



2

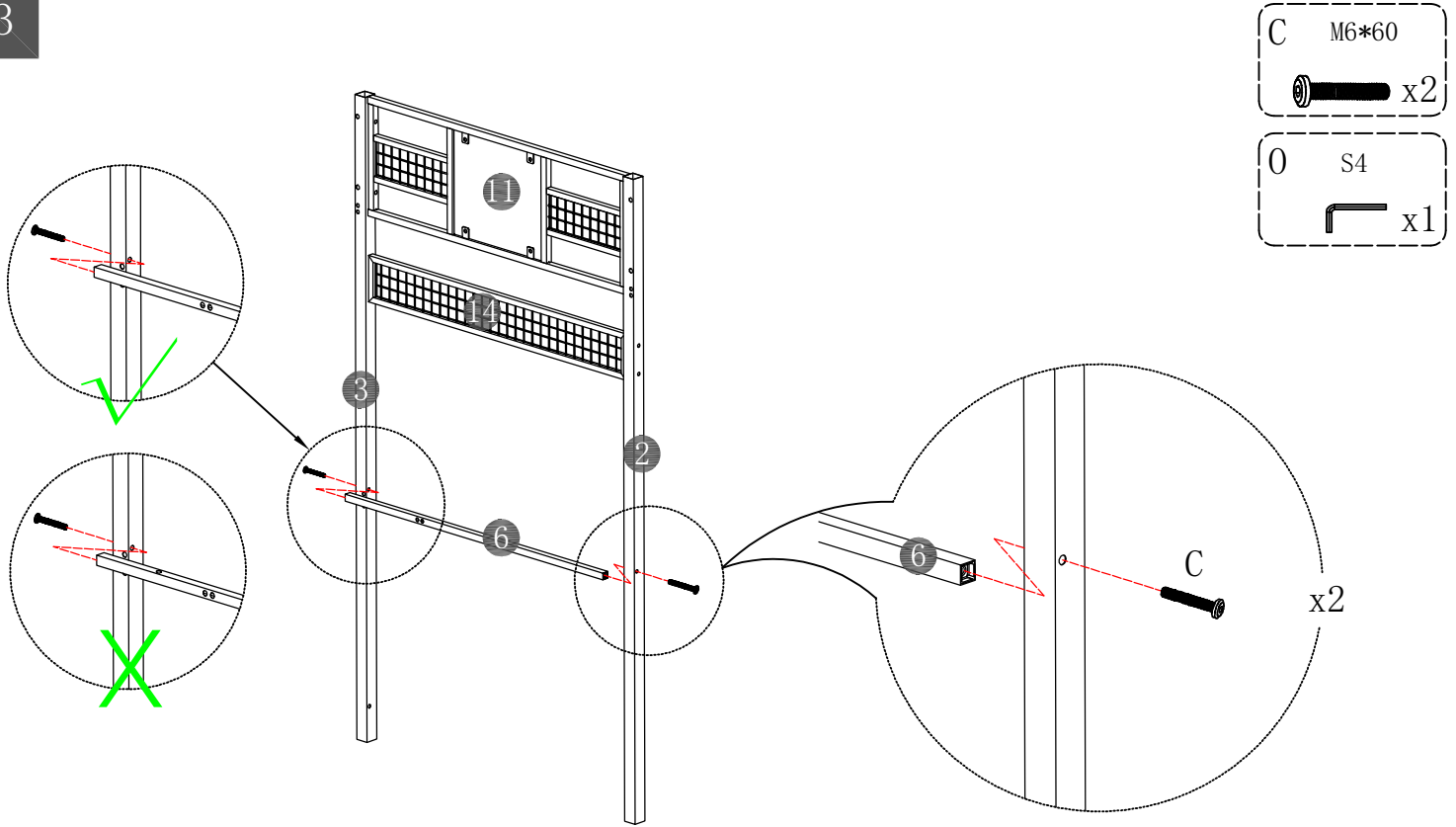
B M6*50
 x4

O S4
 x1



Assembly Instruction

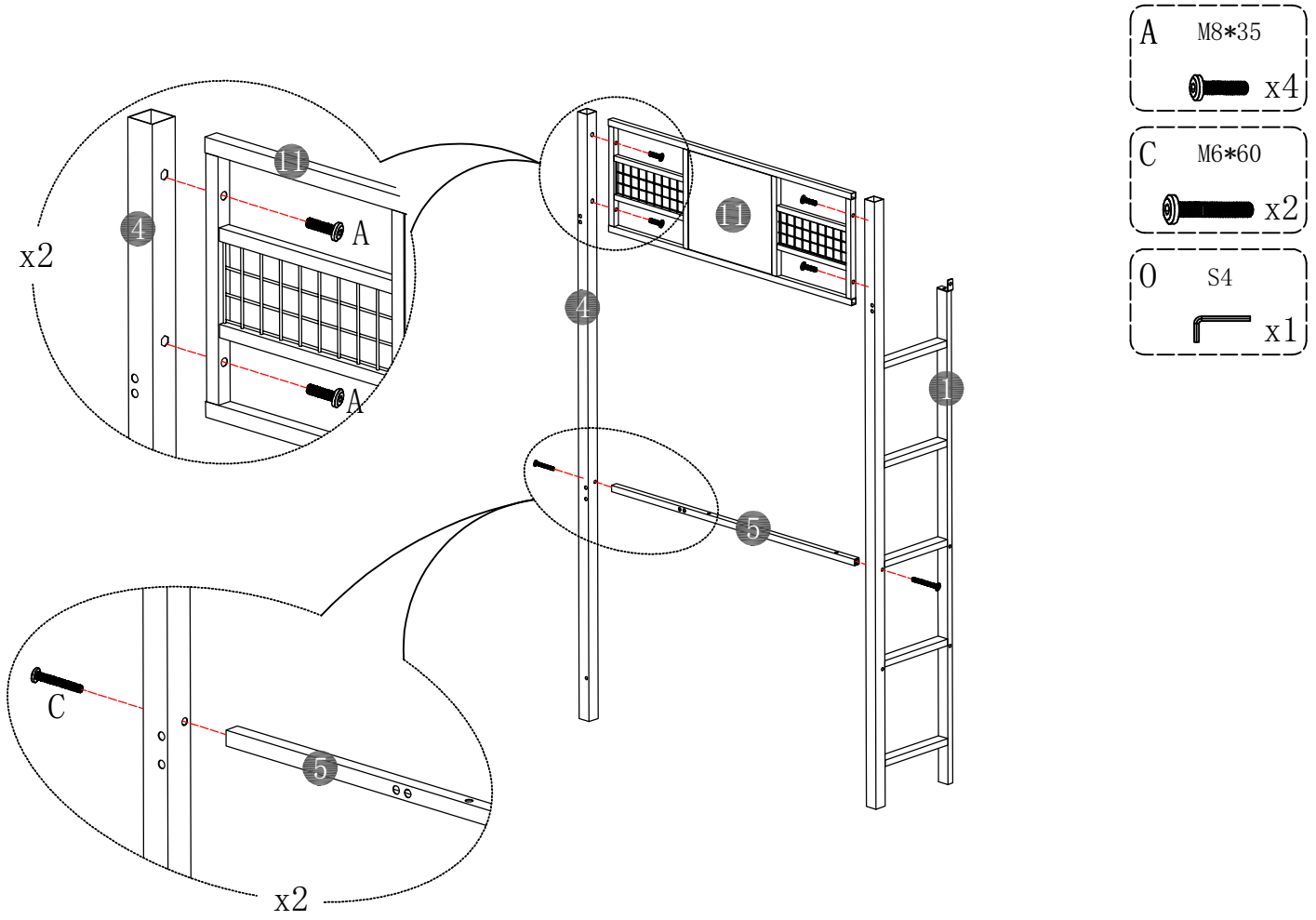
3



C M6*60
x2

O S4
x1

4



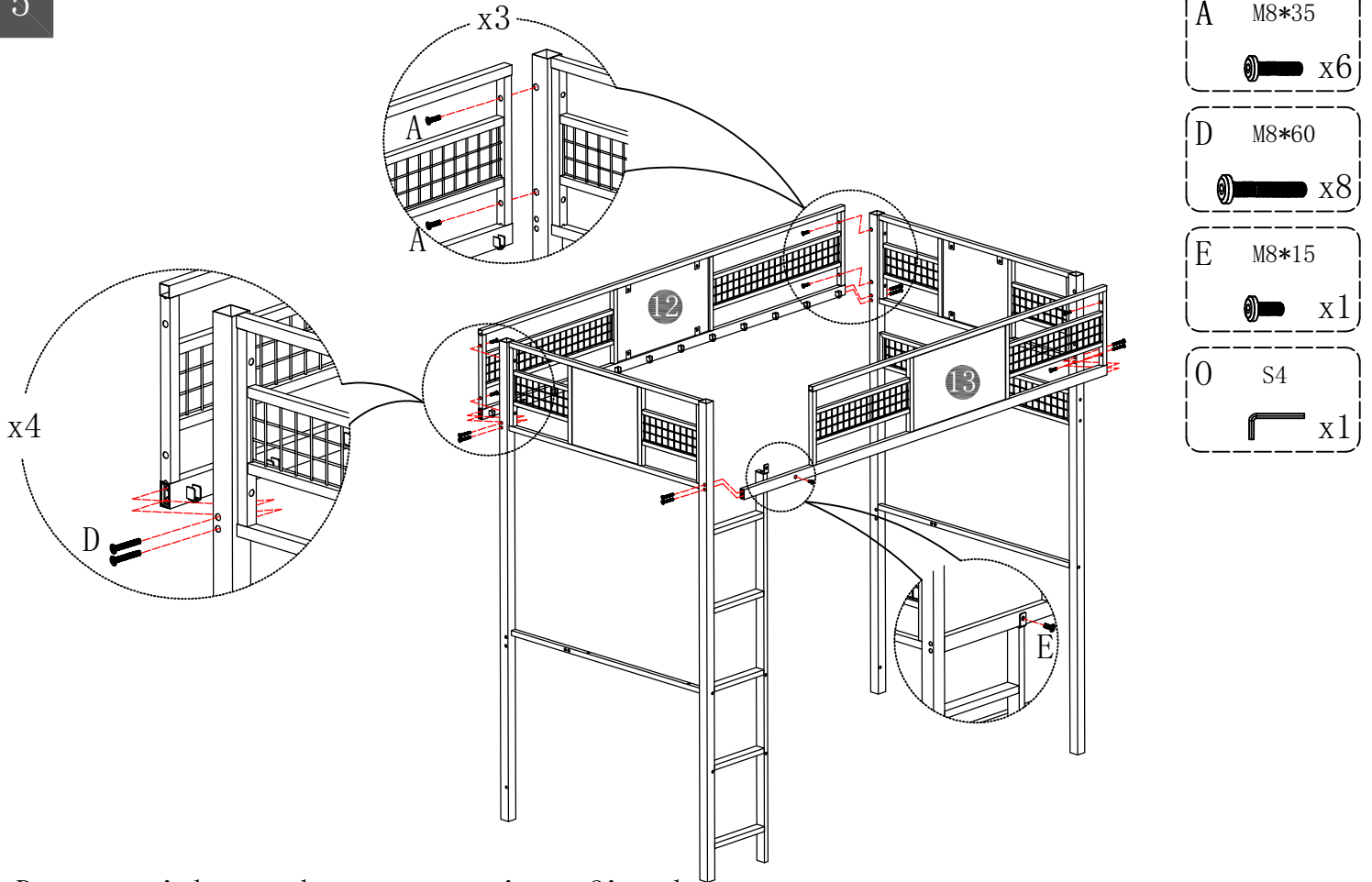
A M8*35
x4

C M6*60
x2

O S4
x1

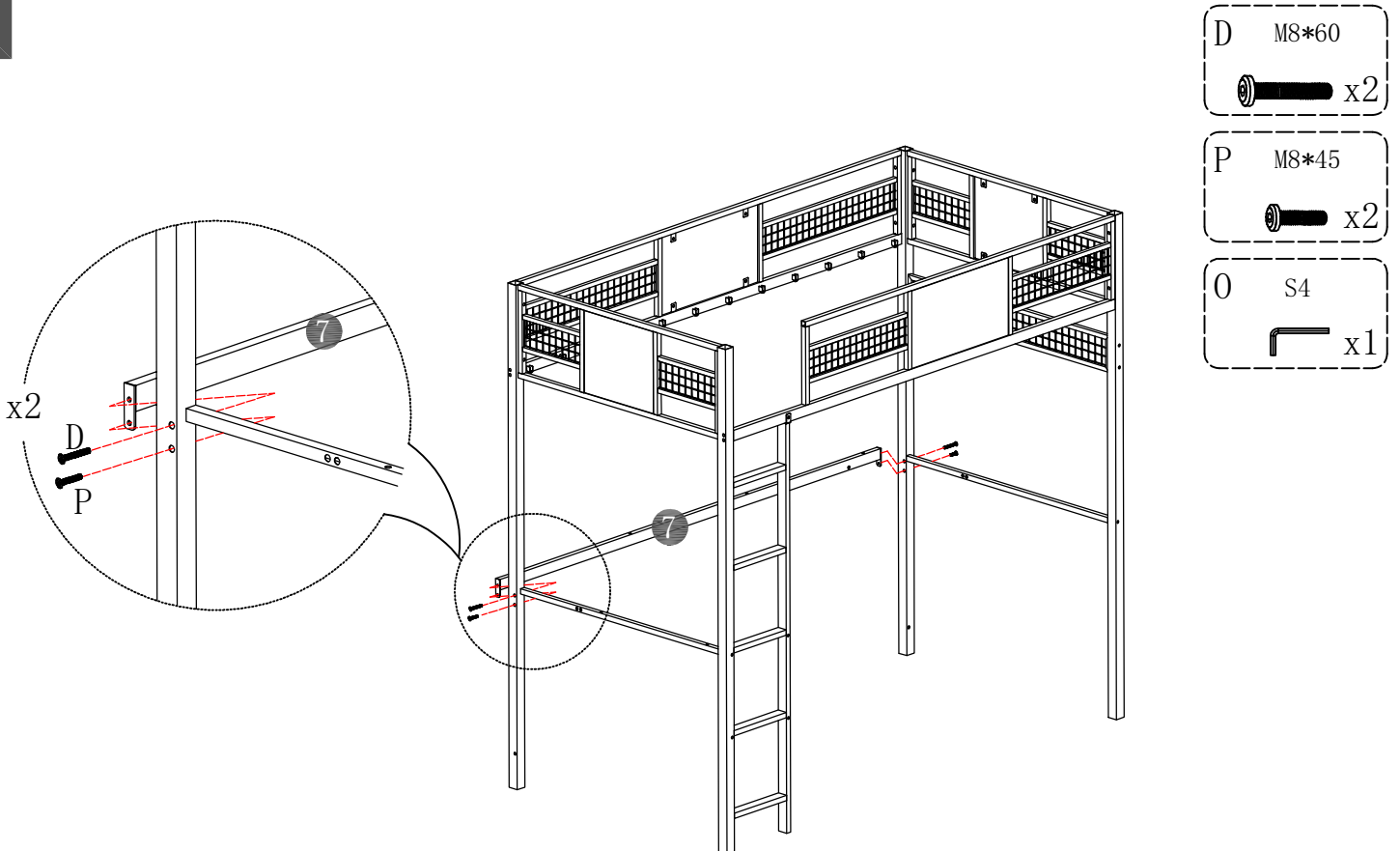
Assembly Instruction

5



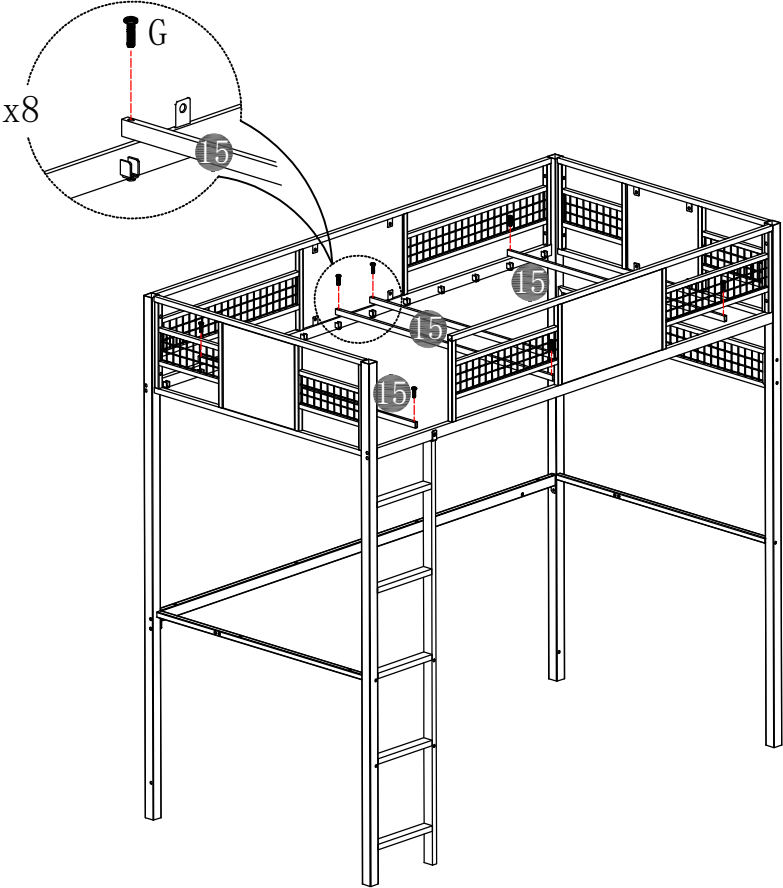
Do not tighten the screws, just fix them.

6



Assembly Instruction

7

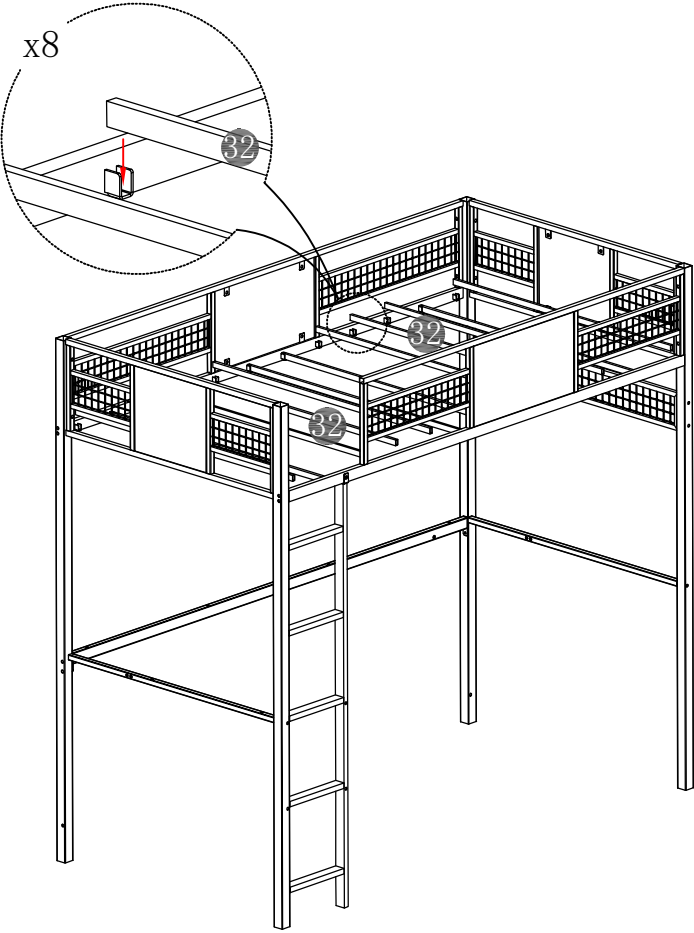


G M5*25
x8

O S4
x1

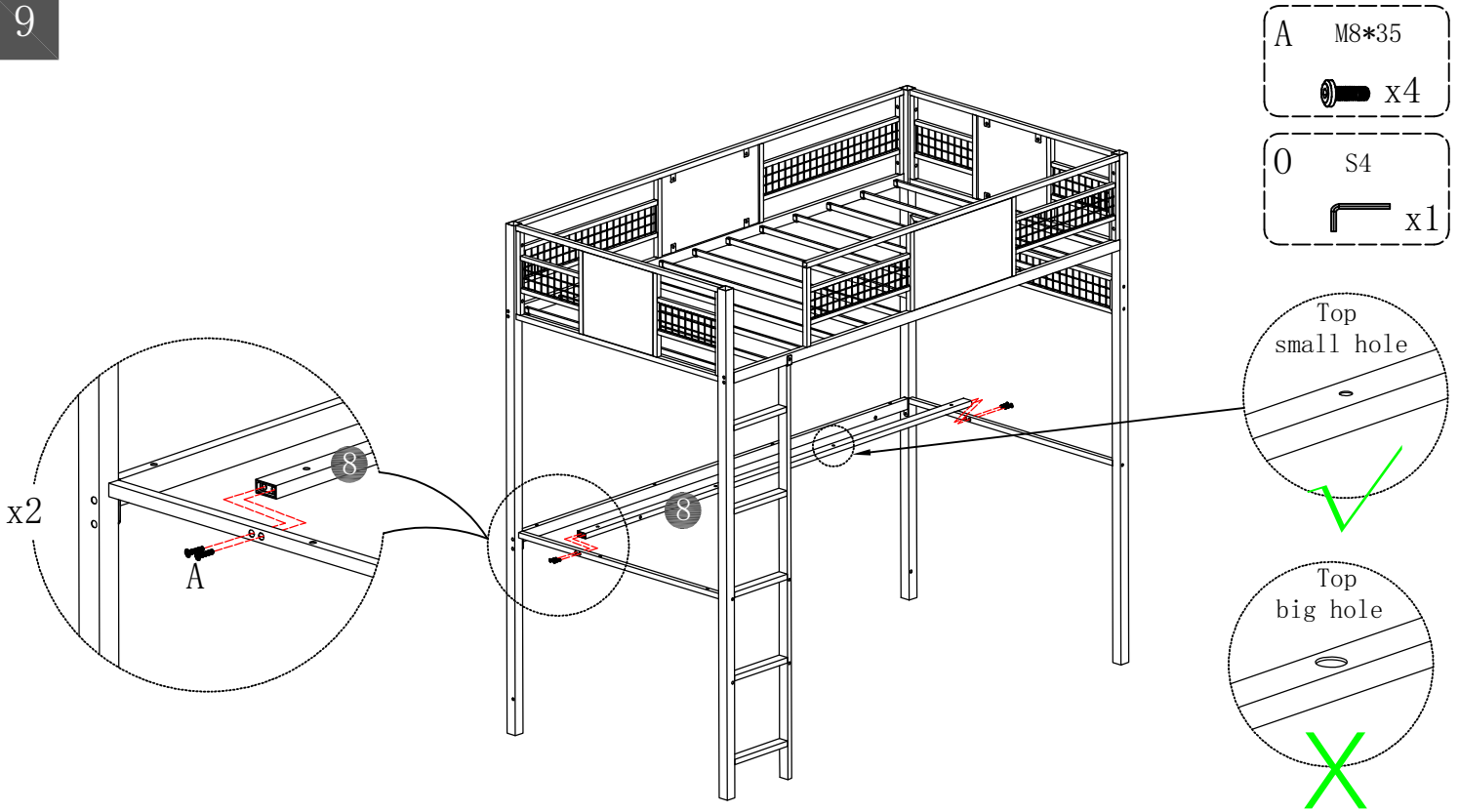
Tighten all the screws on it.

8

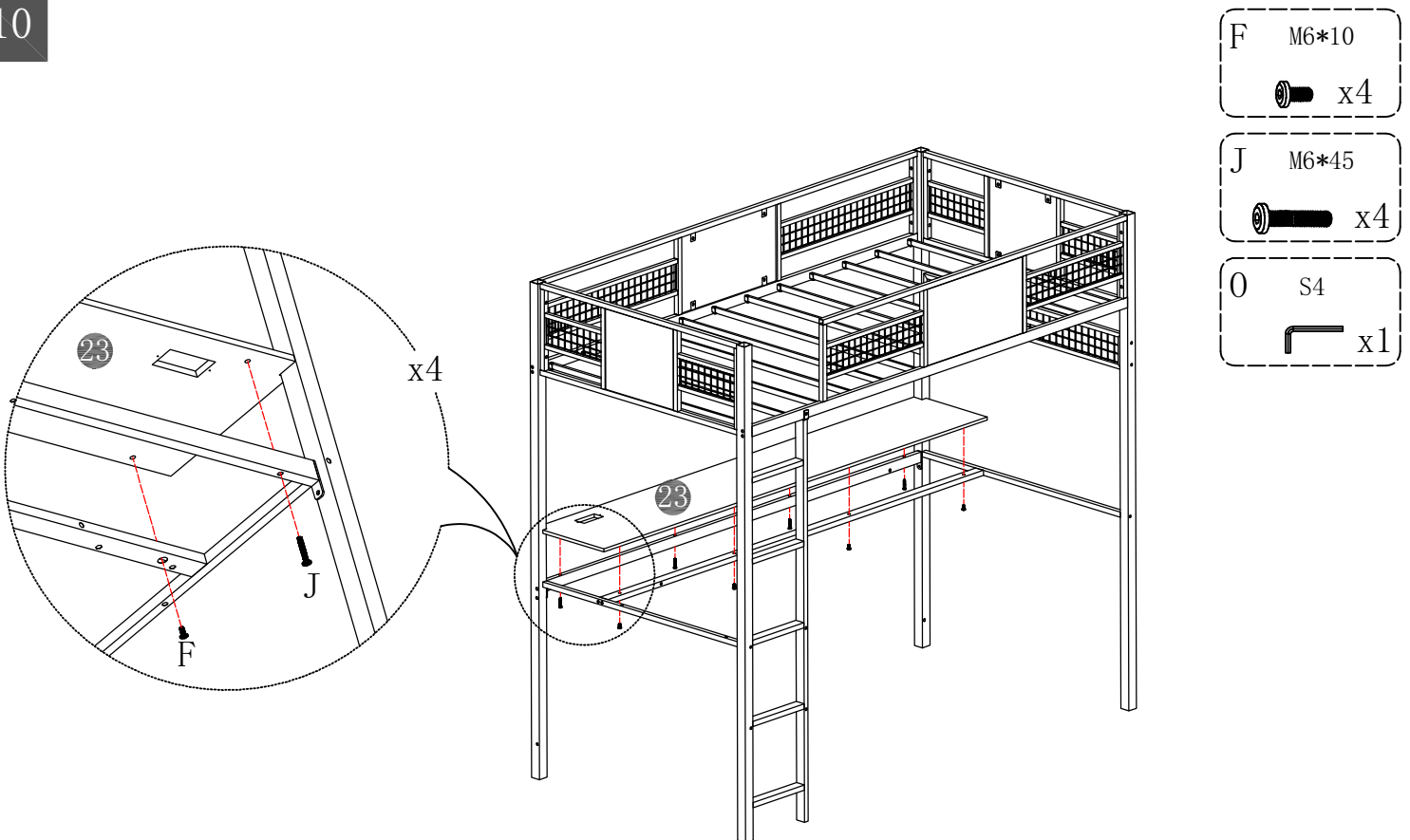


Assembly Instruction

9



10

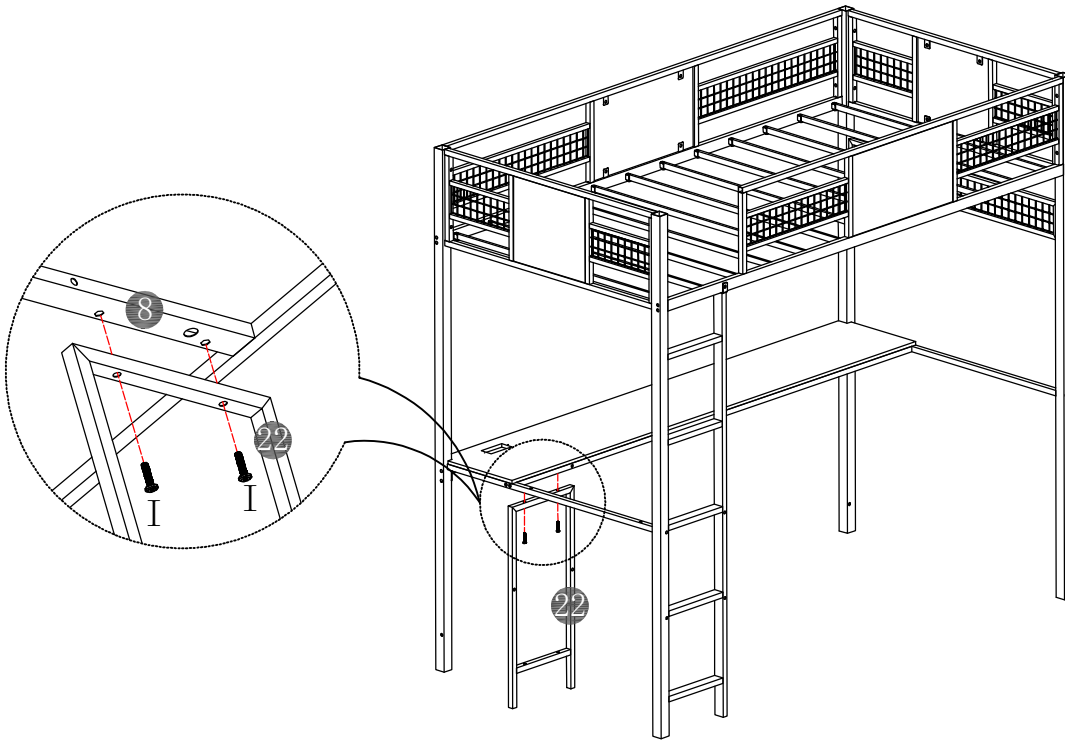


Assembly Instruction

11

I M6*35
x2

O S4
x1

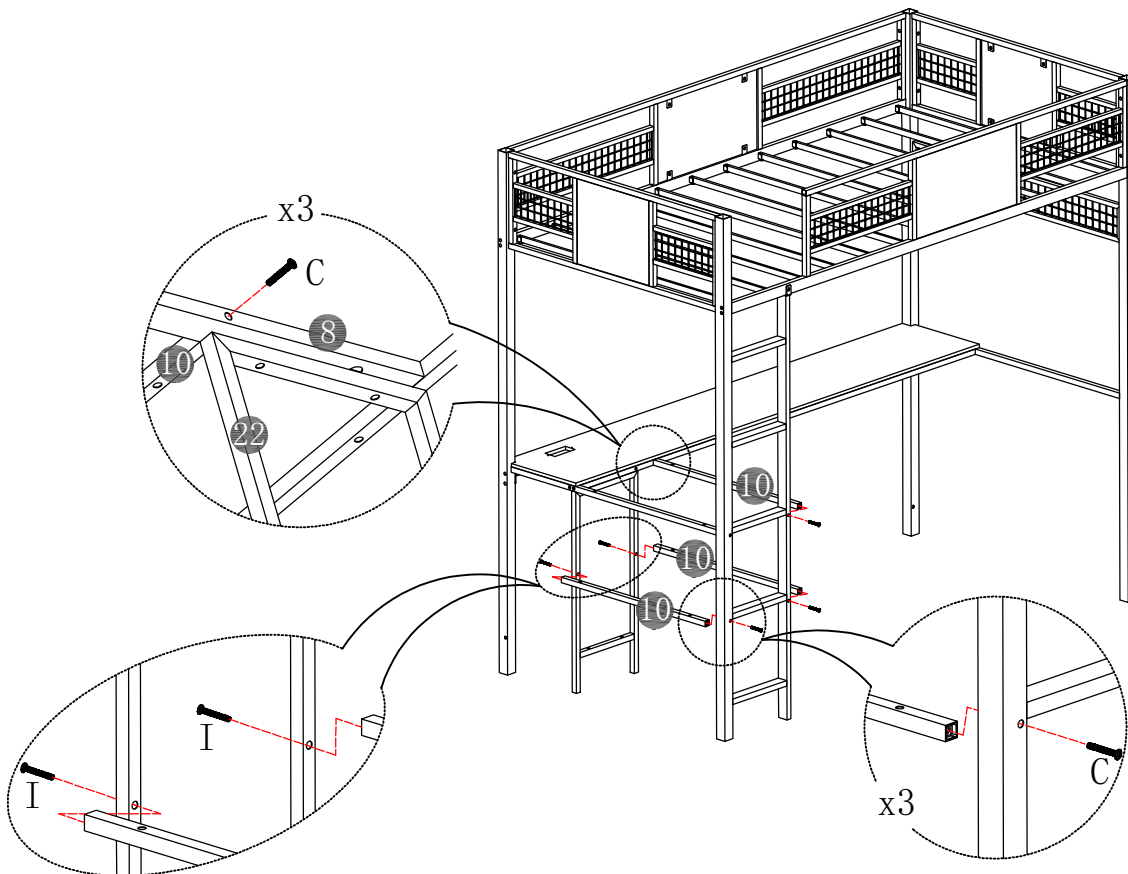


12

I M6*35
x2


C M6*60
x4


O S4
x1

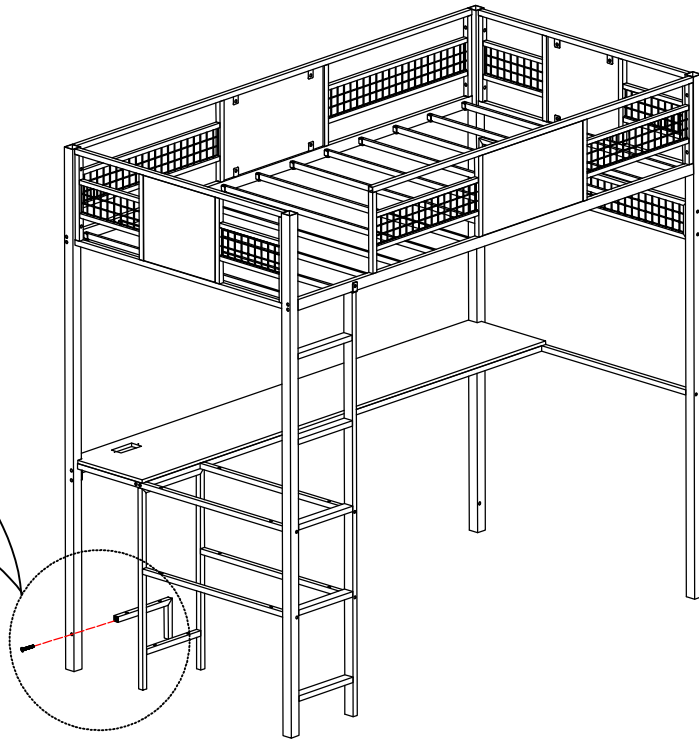
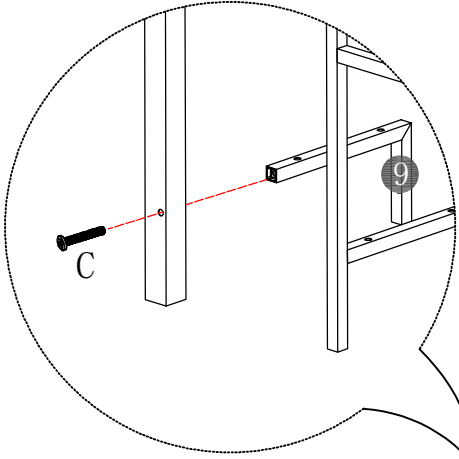


Assembly Instruction


13


C M6*60
 x1

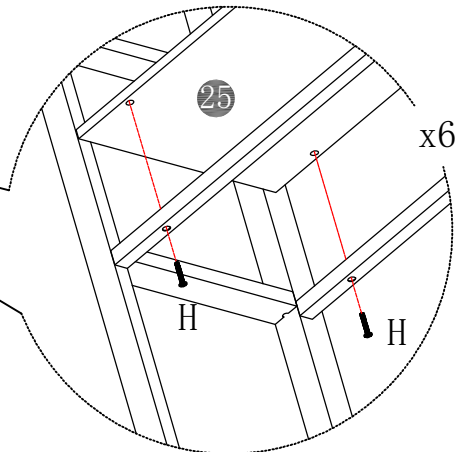
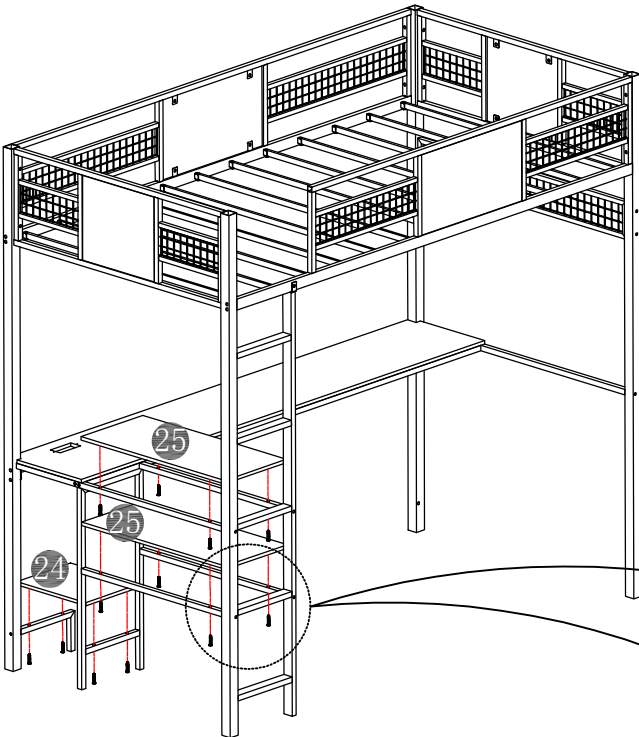
O S4
 x1



14

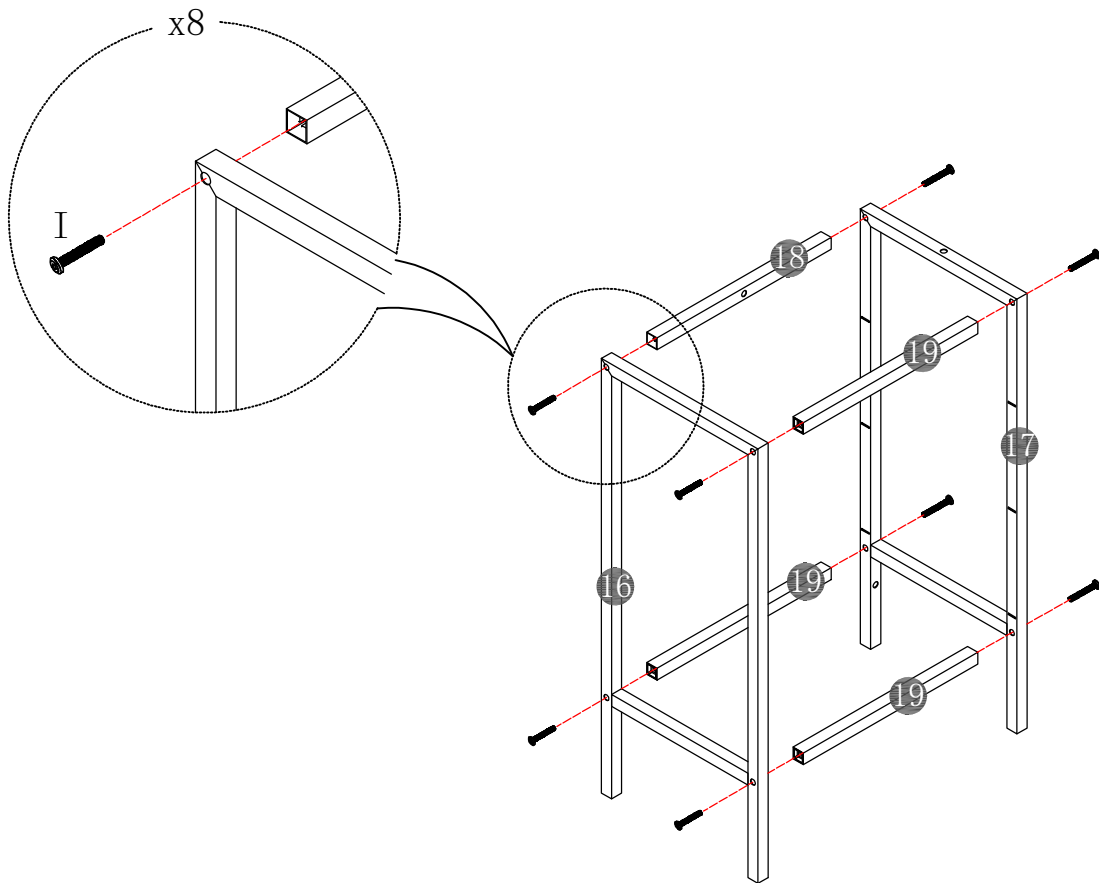
H M6*28
 x12

O S4
 x1



Assembly Instruction

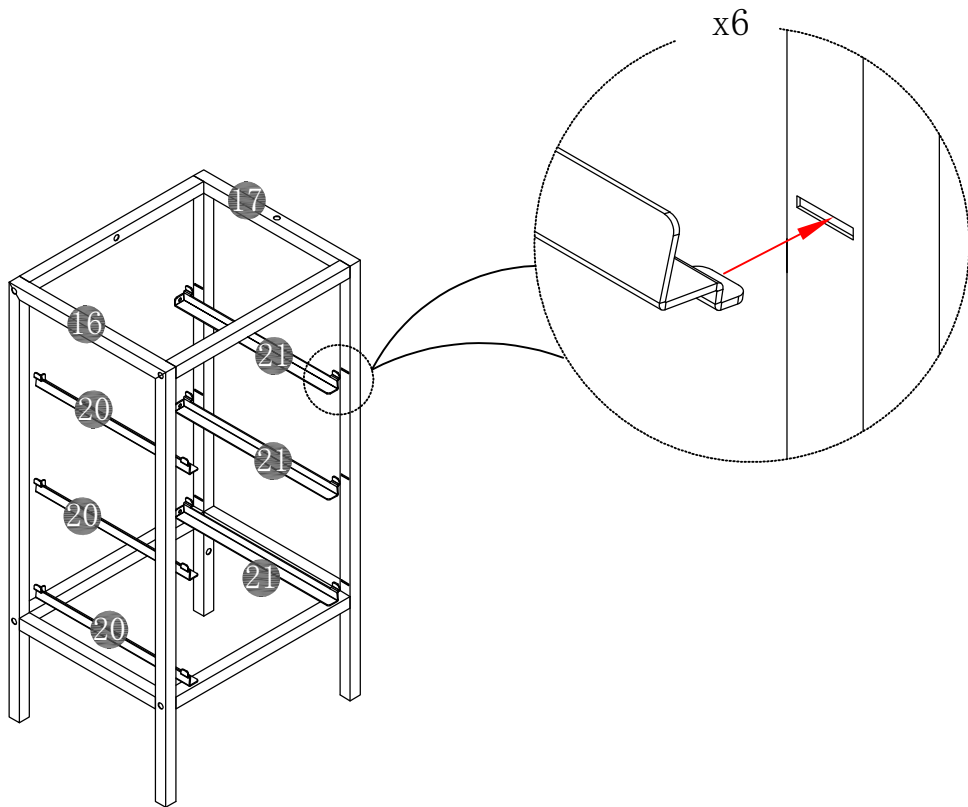
15



I M6*35
x8

O S4
x1

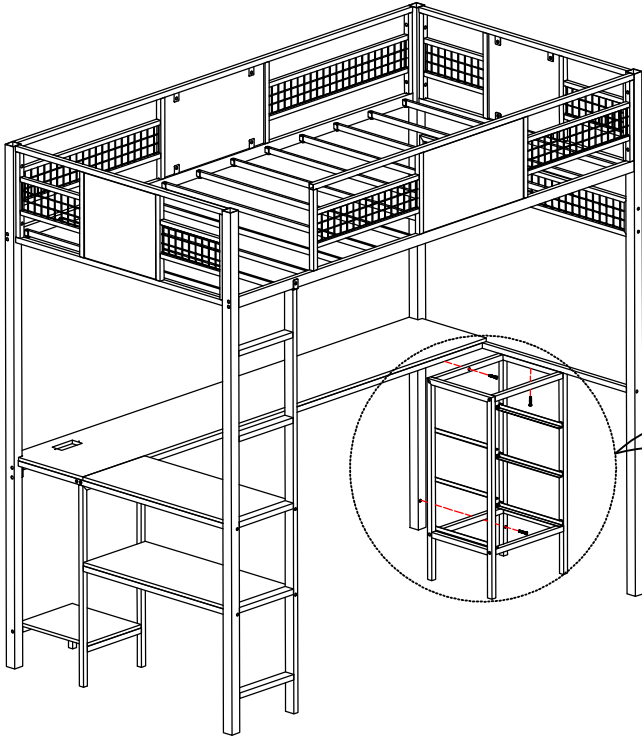
16





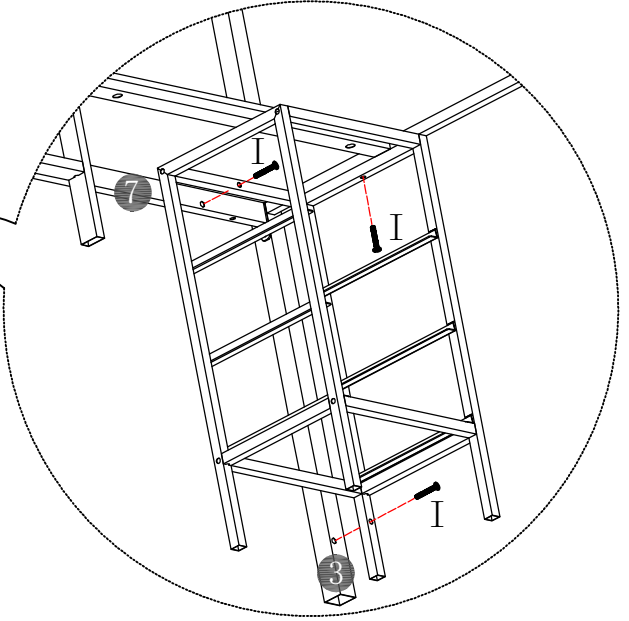
x6

Assembly Instruction

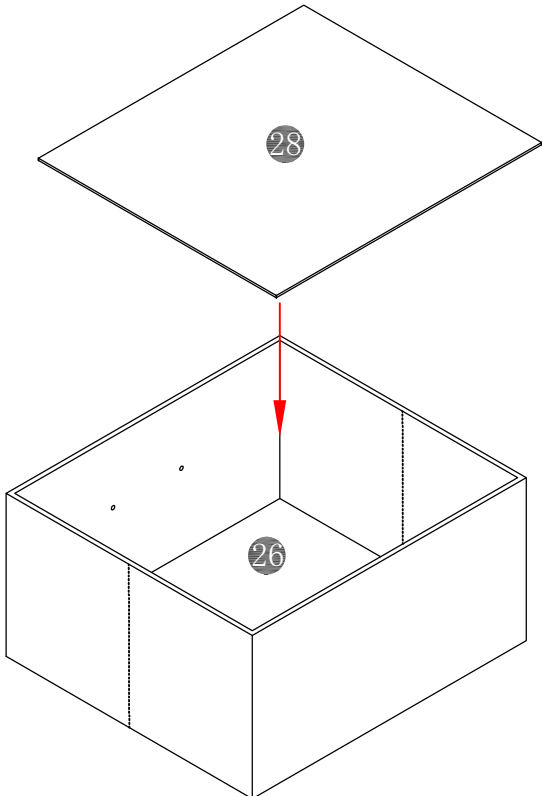
17





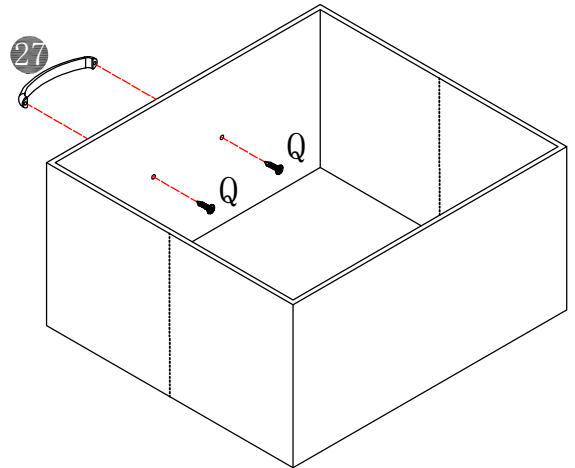
- I M6*35
 x3
- O S4
 x1



18



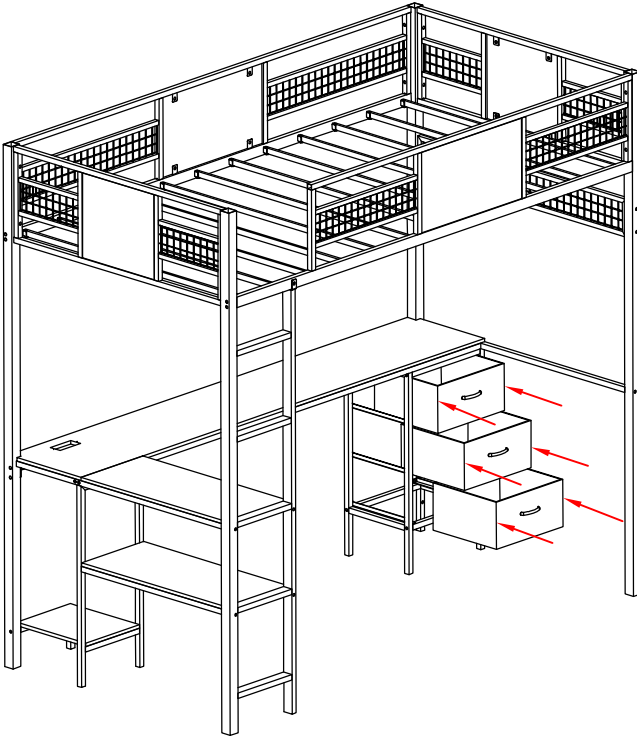
- Q $\phi 4*10$
 x6
- L
 x1



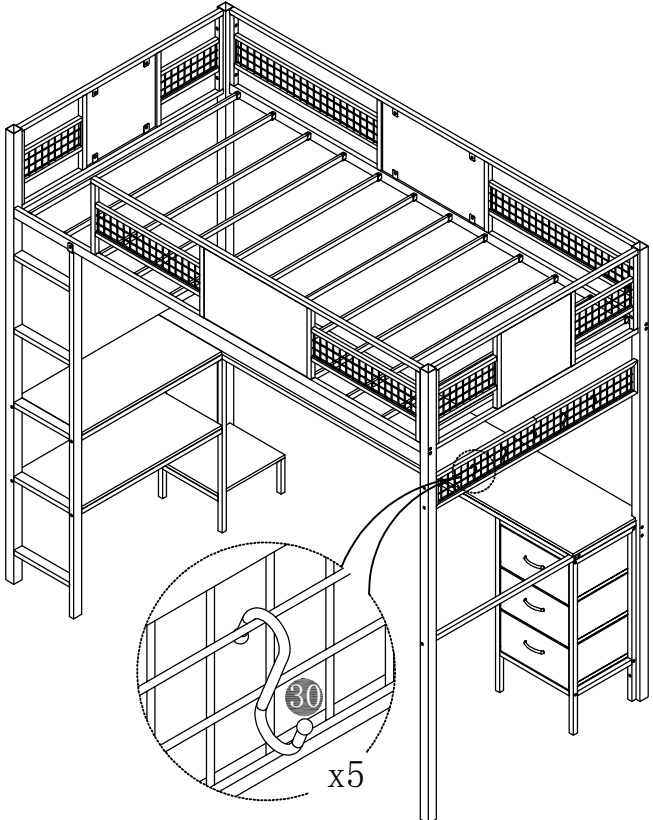
x3

Assembly Instruction

19





20

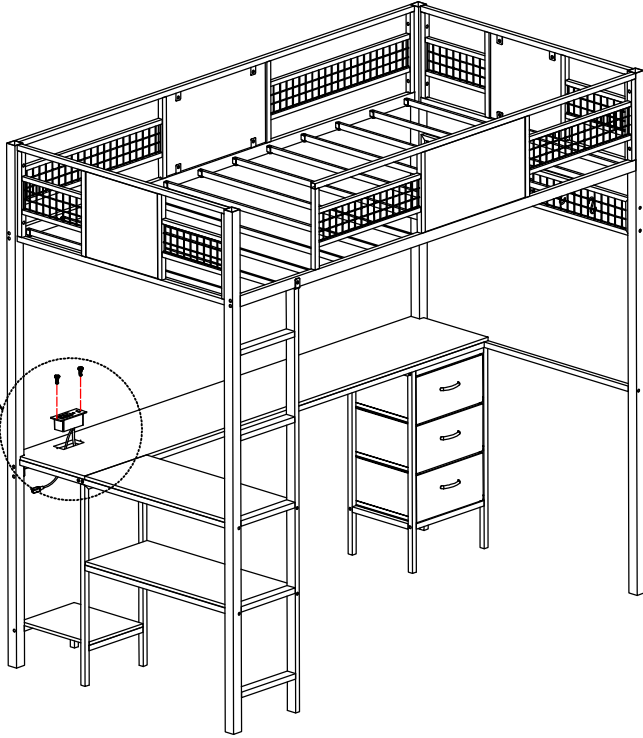
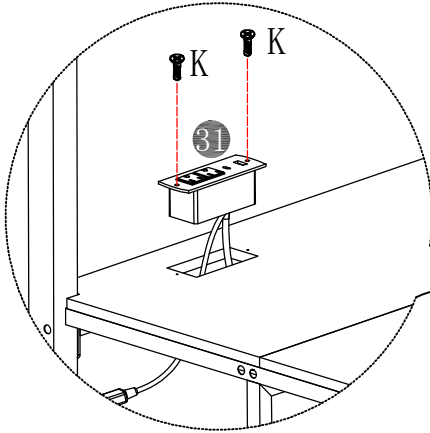


Assembly Instruction


21


K $\varnothing 3 \times 12$
 x2

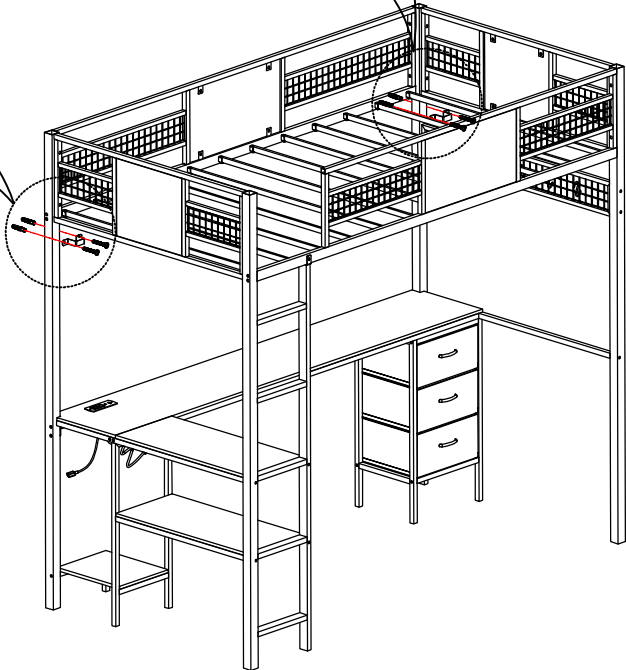
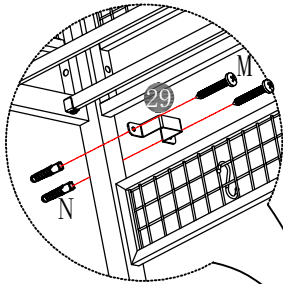
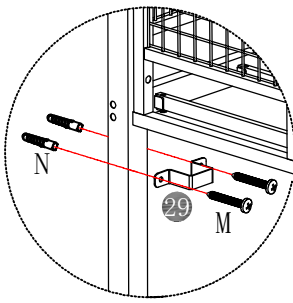
L
 x1



22

M M5*30
 x4

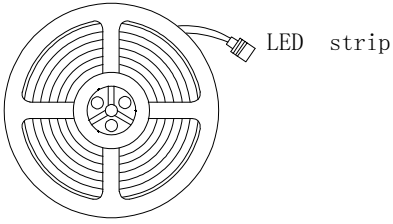
N $\varnothing 8 \times 40$
 x4



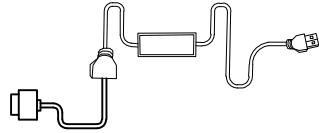
Assembly Instruction

22

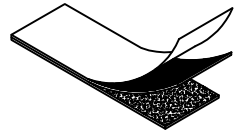
DIY LED



light bar



Controller wire



Thread embedding buckle

