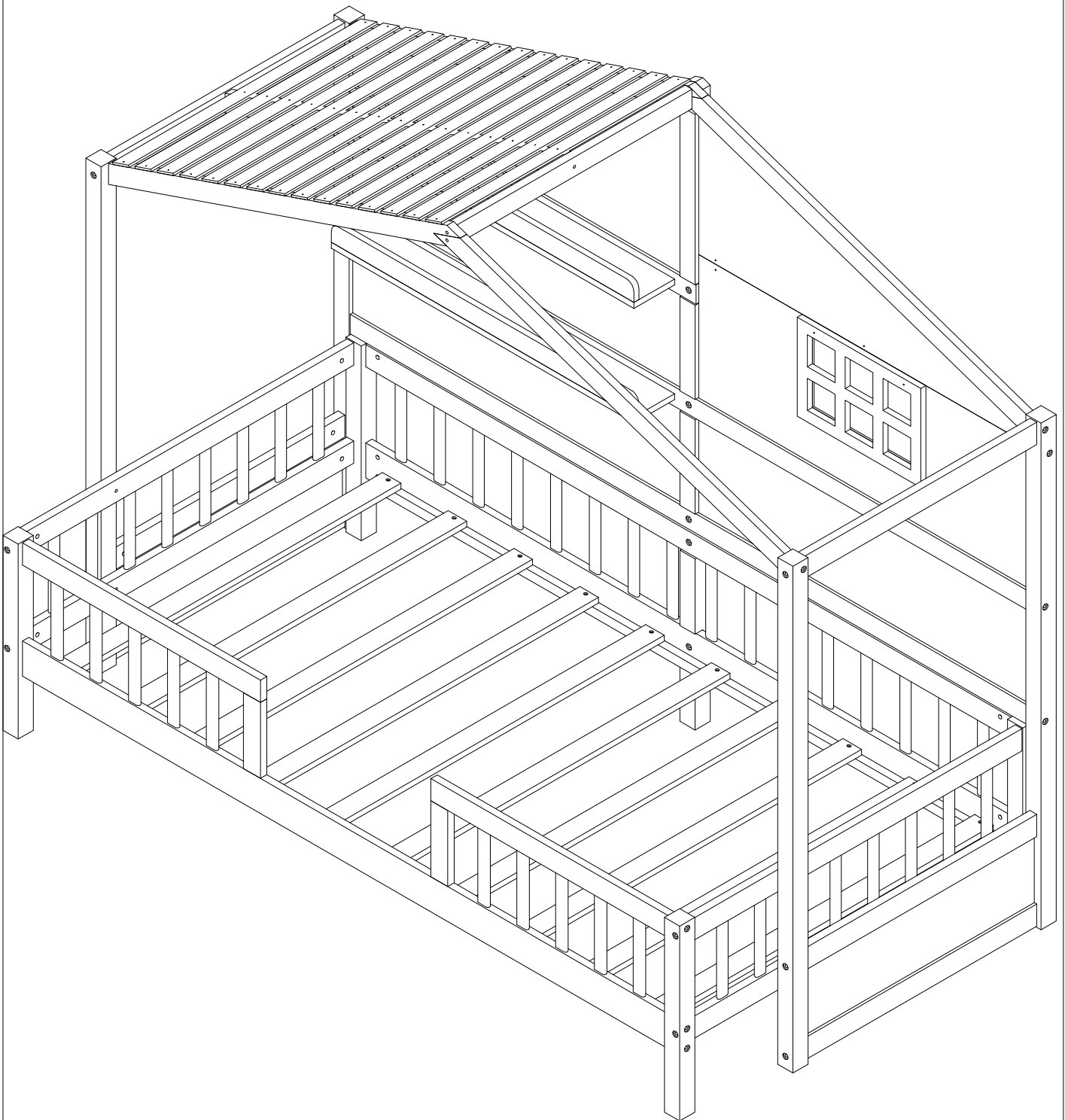


ASSEMBLY INSTRUCTION

This set is included 2 boxes if don't receive full 2 boxes please contact our customer service team



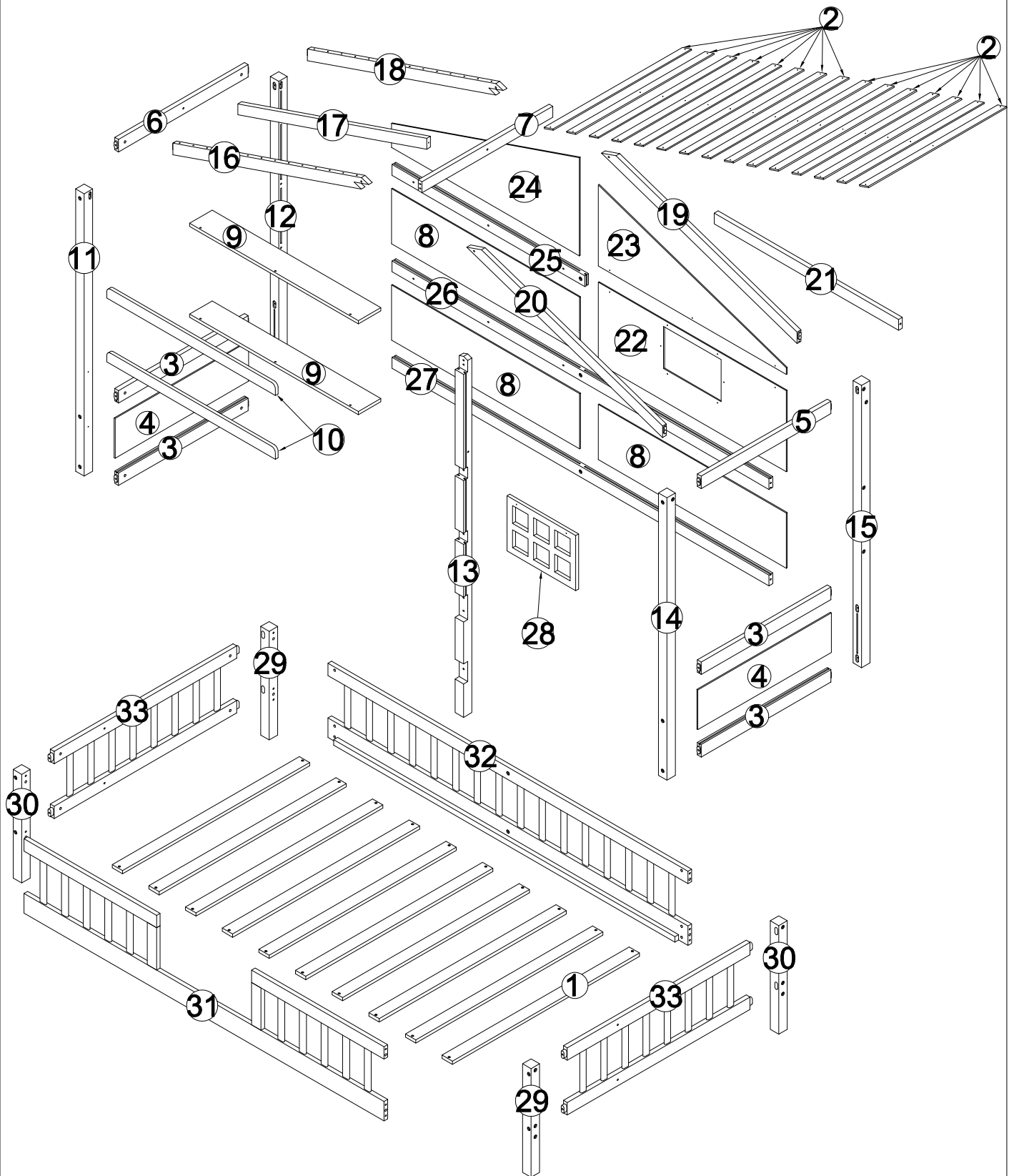
SAFETY WARNINGS AND GENERAL NOTES:

- 1. Do not use substitute parts. Contact the manufacturer or dealer for replacement parts.**
- 2. Keep these instructions for future reference.**
- 3. We recommend assembling your bed on the shipping carton to protect your floor or carpet.**
- 4. Be certain all staples are out of the box before beginning assembly on the shipping carton.**

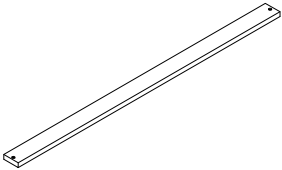





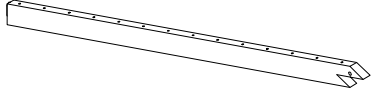
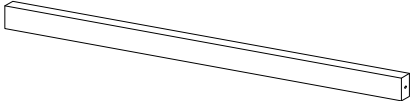
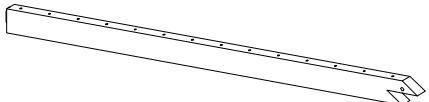
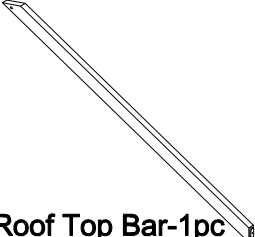

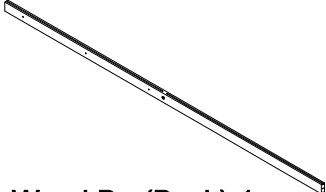
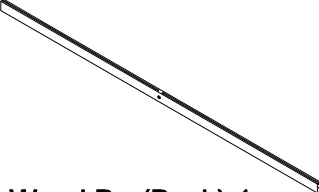


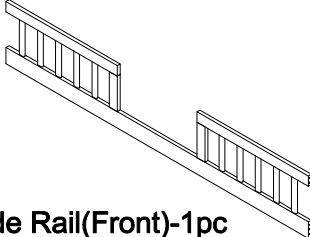
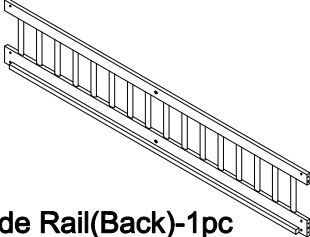
5.Replacement Parts:

Replacement Parts, including additional guardrails

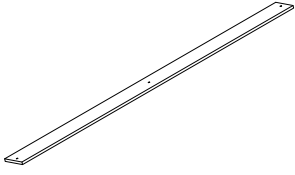
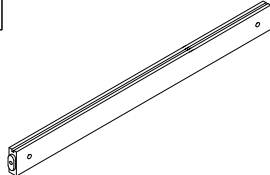
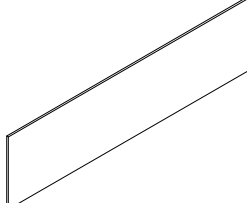
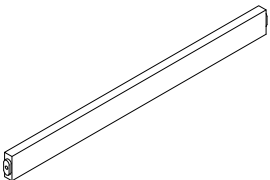
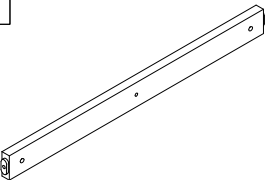
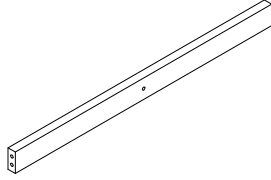
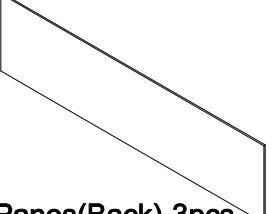
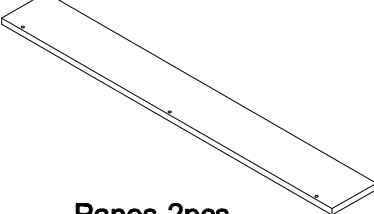

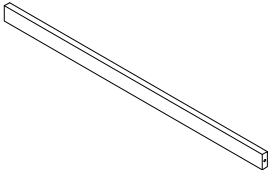
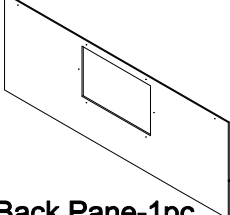
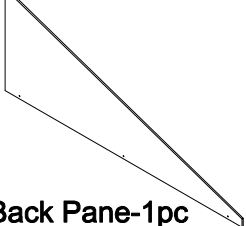
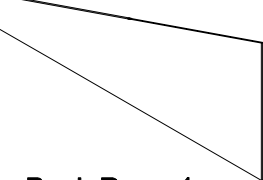
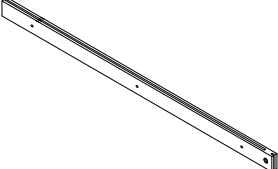
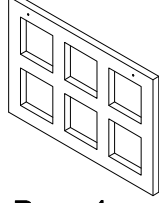
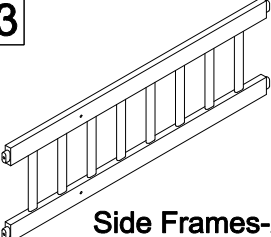
ASSEMBLY INSTRUCTION



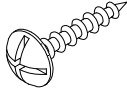
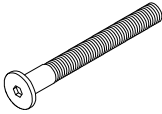
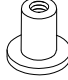
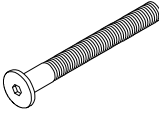


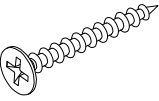

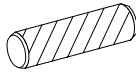
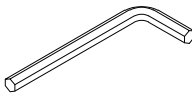
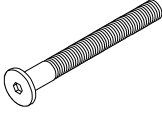
Part List & Hardware List

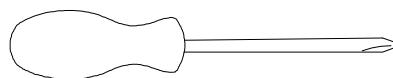
| | | |
|--|--|--|
| <p>1</p>  <p>Slats-10pcs</p> | <p>11</p>  <p>Leg-1pc</p> | <p>12</p>  <p>Leg-1pc</p> |
| <p>13</p>  <p>Leg-1pc</p> | <p>14</p>  <p>Leg-1pc</p> | <p>15</p>  <p>Leg-1pc</p> |
| <p>16</p>  <p>Roof Top Bar-1pc</p> | <p>17</p>  <p>Roof Top Bar-1pc</p> | <p>18</p>  <p>Roof Top Bar-1pc</p> |
| <p>19</p>  <p>Roof Top Bar-1pc</p> | <p>20</p>  <p>Roof Top Bar-1pc</p> | <p>26</p>  <p>Wood Bar(Back)-1pc</p> |
| <p>27</p>  <p>Wood Bar(Back)-1pc</p> | <p>29</p>  <p>Legs-2pcs</p> | <p>30</p>  <p>Legs-2pcs</p> |
| <p>31</p>  <p>Side Rail(Front)-1pc</p> | <p>32</p>  <p>Side Rail(Back)-1pc</p> | |

Part List

| | | |
|--|--|---|
| <p>2</p>  <p>Roof Top Panes-15pcs</p> | <p>3</p>  <p>Wood Bars-4pcs</p> | <p>4</p>  <p>Panes-2pcs</p> |
| <p>5</p>  <p>Wood Bar-1pc</p> | <p>6</p>  <p>Wood Bar-1pc</p> | <p>7</p>  <p>Wood Bar-1pc</p> |
| <p>8</p>  <p>Panes(Back)-3pcs</p> | <p>9</p>  <p>Panes-2pcs</p> | <p>10</p>  <p>Panes-2pcs</p> |
| <p>21</p>  <p>Wood Bar(Back)-1pc</p> | <p>22</p>  <p>Back Pane-1pc</p> | <p>23</p>  <p>Back Pane-1pc</p> |
| <p>24</p>  <p>Back Pane-1pc</p> | <p>25</p>  <p>Wood Bar(Back)-1pc</p> | <p>28</p>  <p>Pane-1pc</p> |
| <p>33</p>  <p>Side Frames-2pcs</p> | | |

Hardware List

| | | |
|---|--|---|
| <p>A</p>  <p>M4 x 15 mm Wood Screws 54pcs</p> | <p>B</p>  <p>Ø1/4" x 35 mm Hex-Head bolts 17pcs</p> | <p>C</p>  <p>Ø1/4" x 15 mm Canopy head through-bolts 5pcs</p> |
| <p>D</p>  <p>Ø1/4" x 90 mm Hex-Head bolts 41pcs</p> | <p>E</p>  <p>Screws 1/4"x80 4pcs</p> | <p>F</p>  <p>Ø1/4" x 13 mm Horizontal-Hole bolts 43pcs</p> |
| <p>G</p>  <p>M4 x 30 mm Wood Screws 22pcs</p> | <p>H</p>  <p>Screws 1/4"x50 6pcs</p> | <p>K</p>  <p>Ø10 x 40 mm Wood dowel 8pcs</p> |
| <p>L</p>  <p>Allen Key 1pc</p> | <p>N</p>  <p>Ø1/4" x 70 mm Hex-Head bolts 2pcs</p> | |



Assembly Tools Required (Not Included)

Box of Led Light

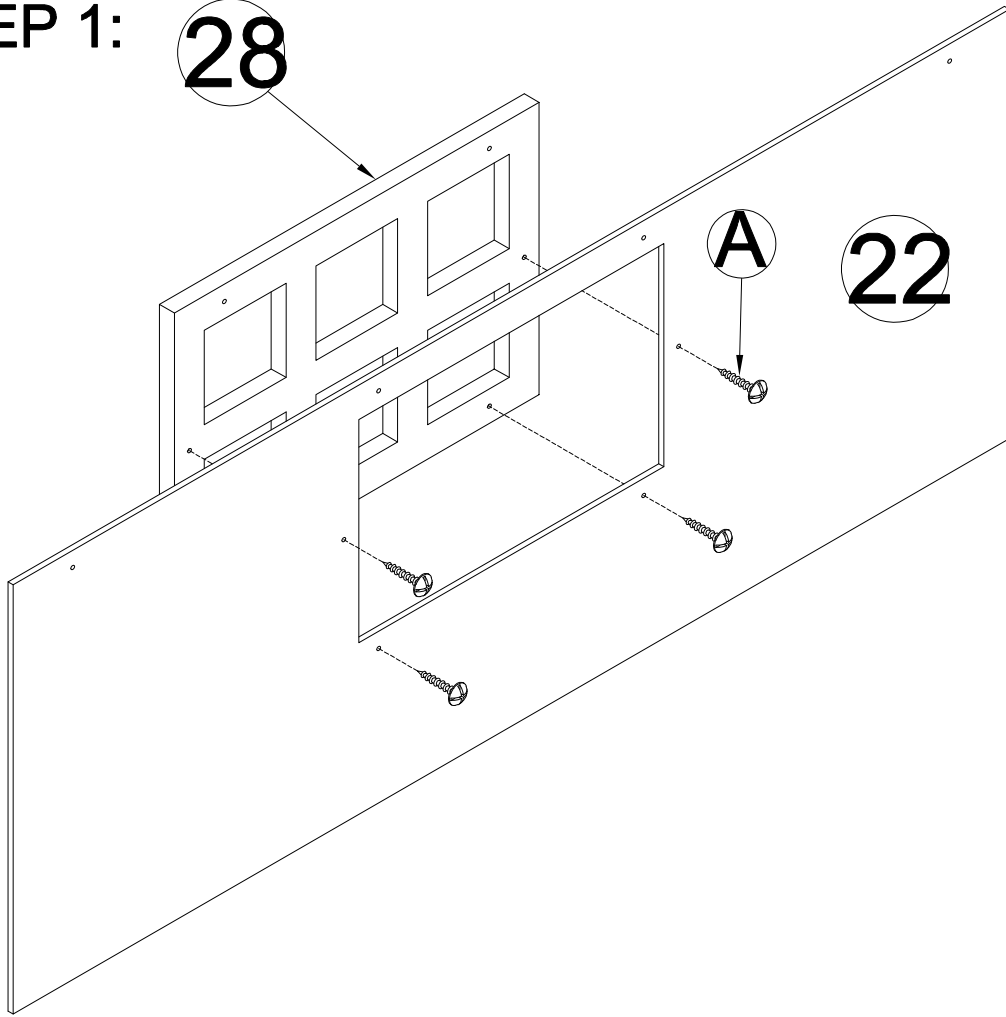
M



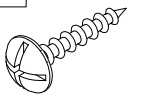
Led Light
1pc

STEP 1:

28

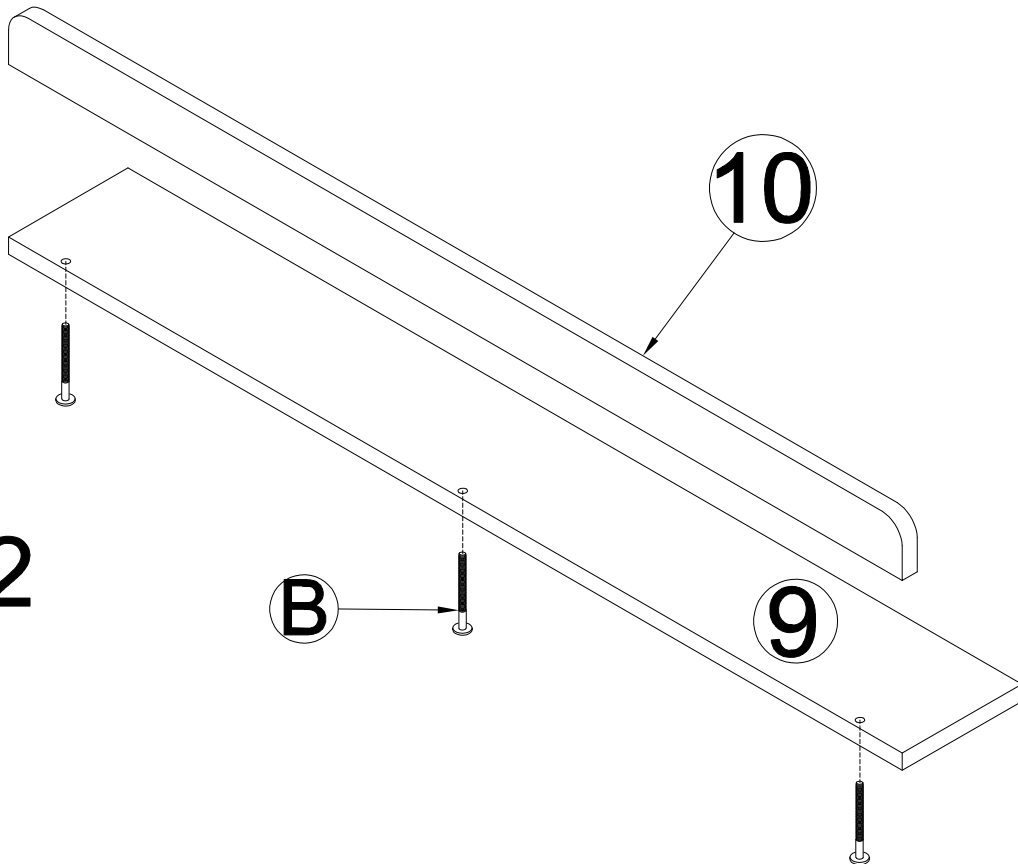


A

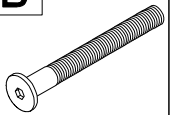


4pcs

STEP 2:



B



3x2pcs

x2

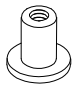
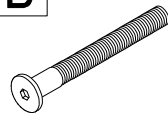

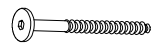
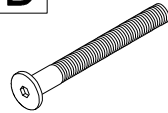
B

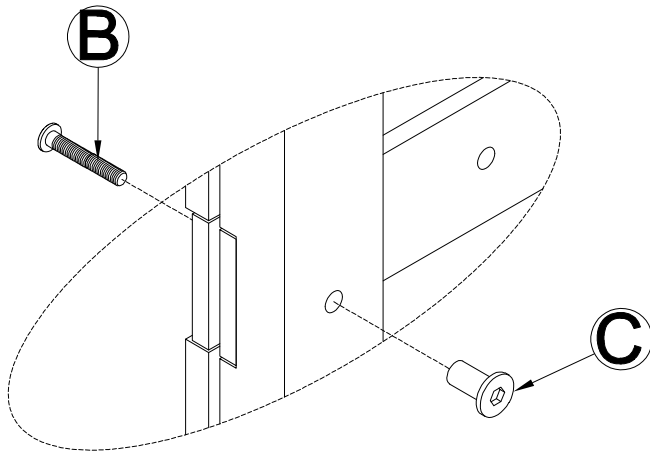
9

10

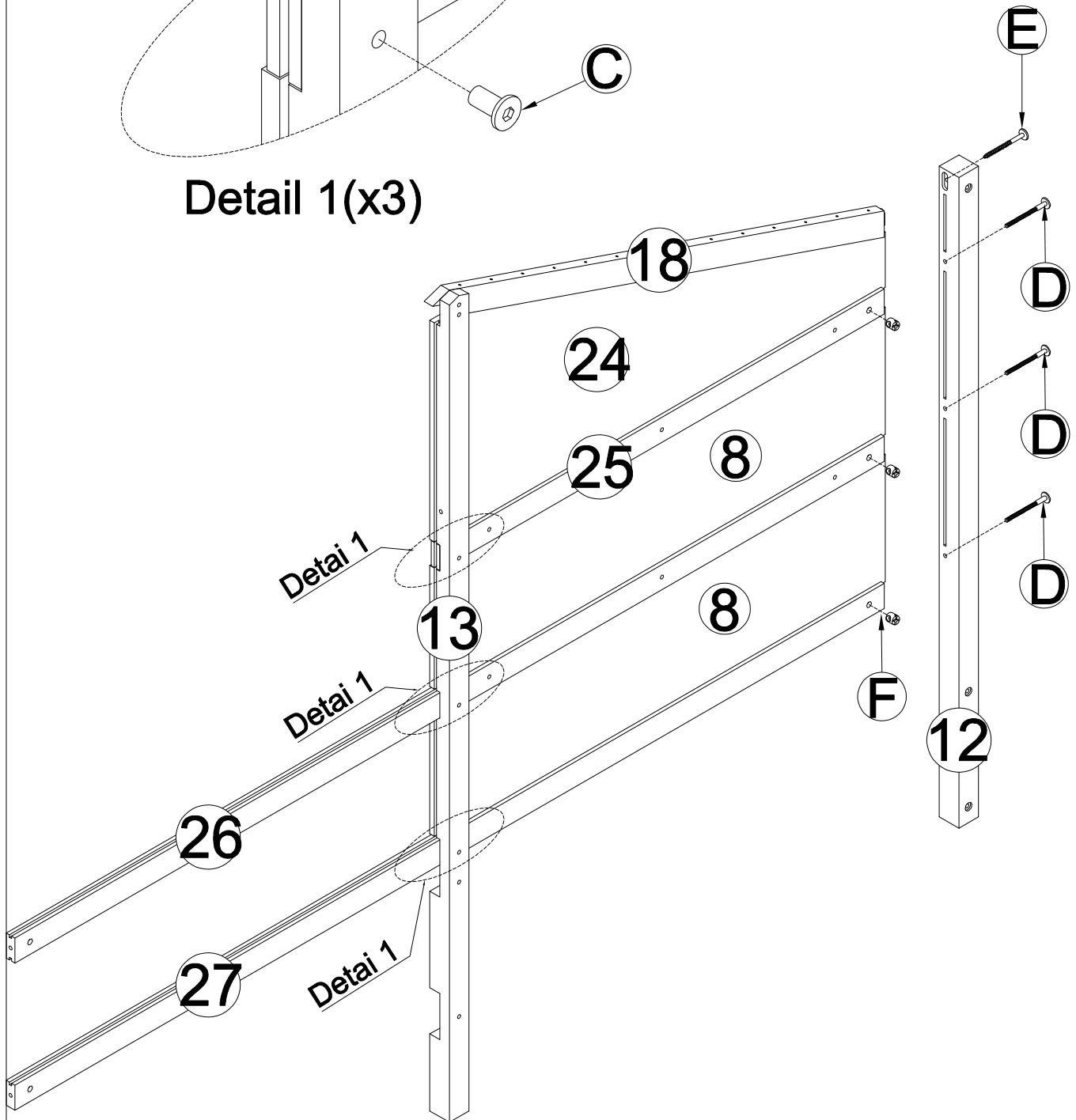
STEP 3:

-Using HW #B,#C,#D,#E,#F to connect 12,13 Legs with 18,25,26,27 Wood Bars and 8(x2),24 Panes

| | | | |
|----------|---|----------|---|
| C |  | B |  |
| 3pcs | | 3pcs | |
| F |  | E |  |
| 3pcs | | 1pc | |
| | | D |  |
| | | 3pcs | |


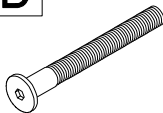
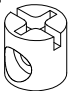


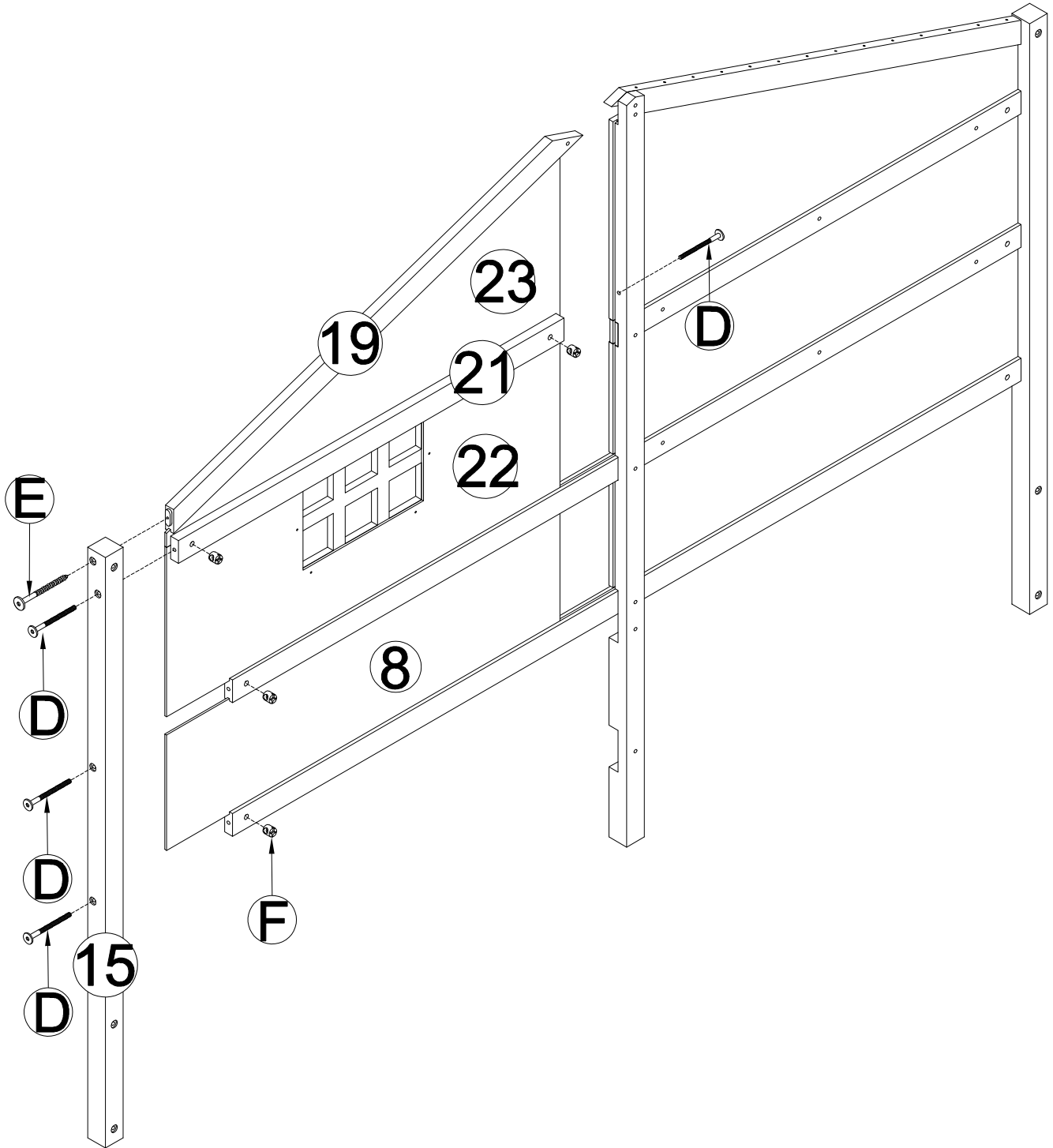
Detail 1(x3)



STEP 4:

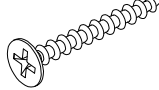
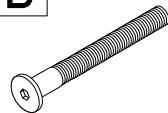
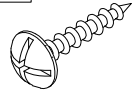
-Using HW #D,#E,#F to connect 15 Leg+19,21 Wood Bars and 8,22,23 Panes with Frame(Completed in step 3)

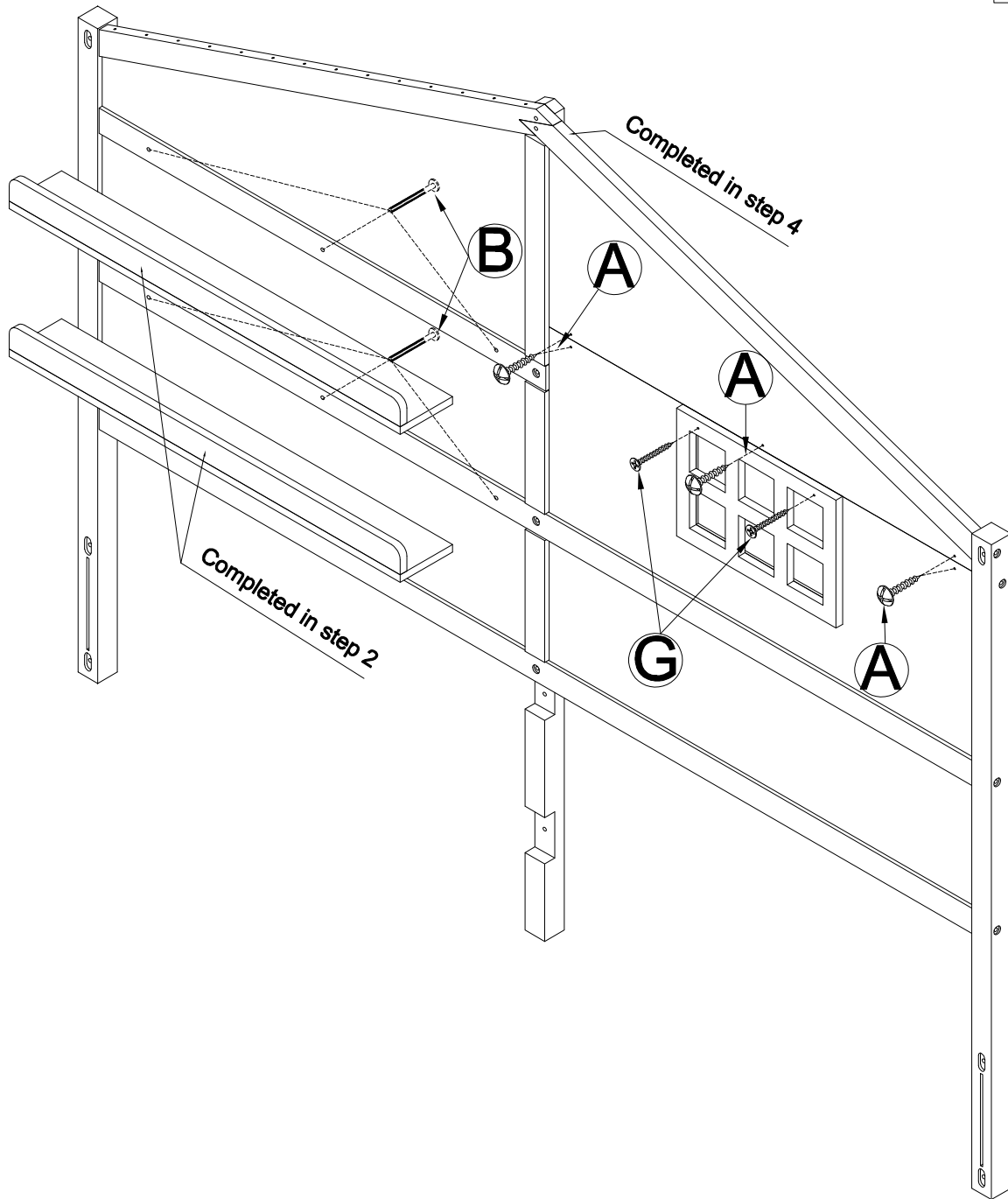
| | |
|---|---|
| E  | D  |
| 1pc | 4pcs |
| | F  |
| | 4pcs |



STEP 5:

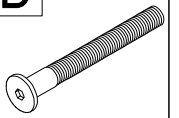
-Using HW #A,#B,#G to connect Frame(Completed in step 2) with Frame(Completed in step 4)

| | |
|---|---|
| G  | B  |
| 2pcs | 6pcs |
| A  | |
| 5pcs | |



STEP 6:

D

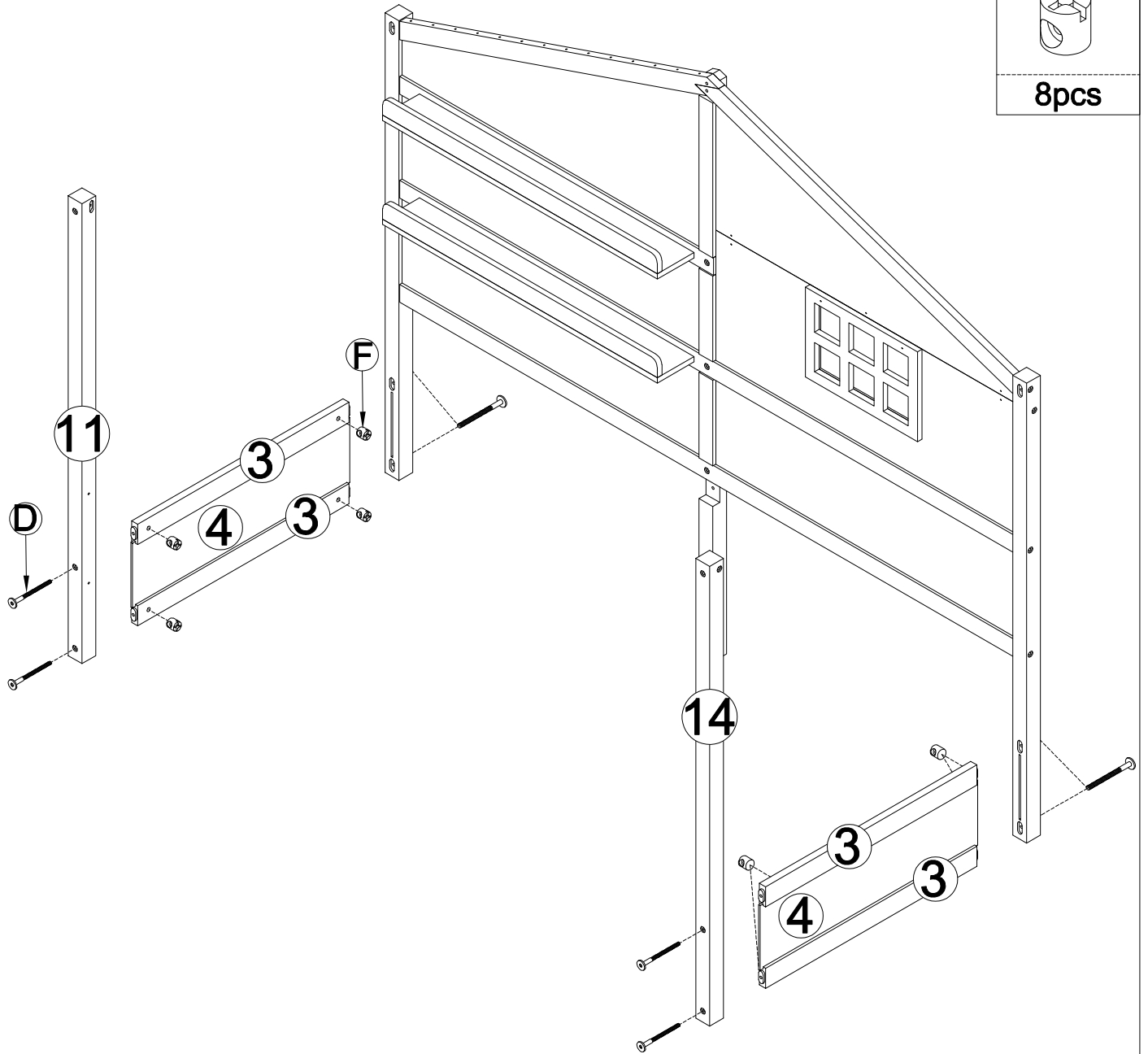


8pcs

F



8pcs

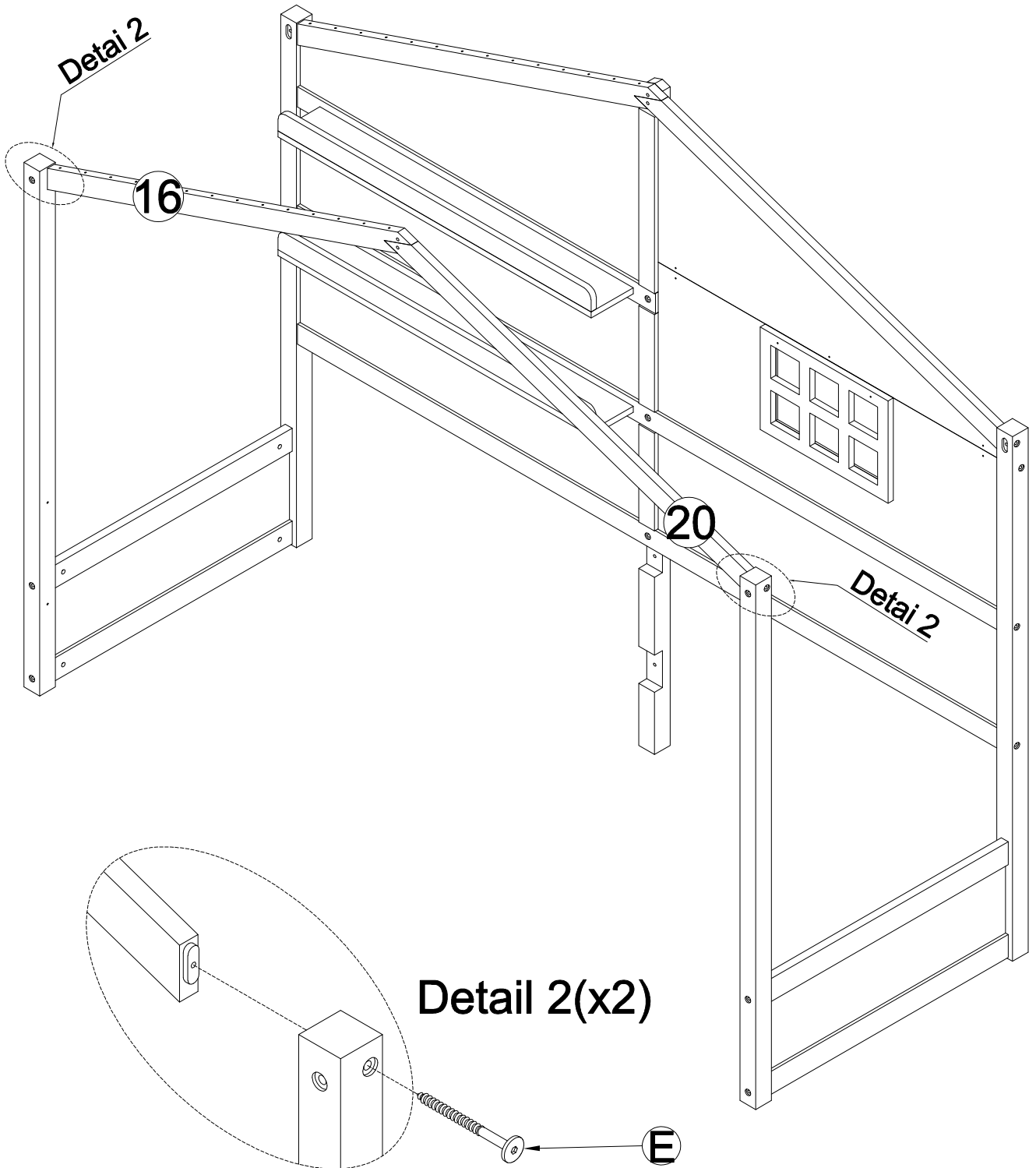


STEP 7:

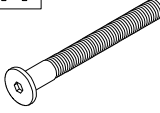
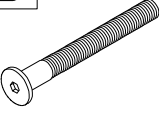
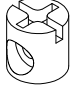
E

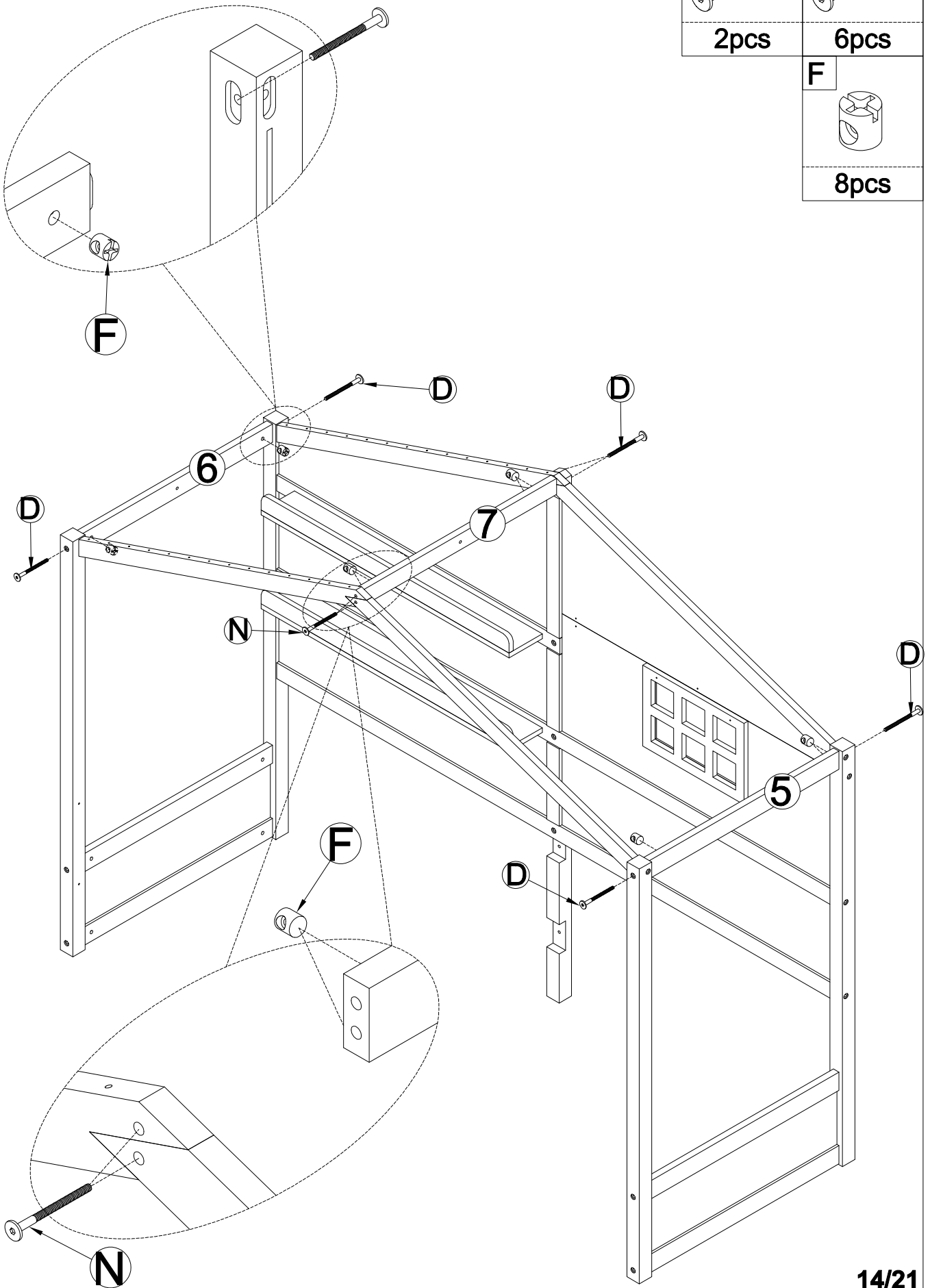


2pcs



STEP 8:

| | | | |
|----------|---|----------|---|
| N |  | D |  |
| | 2pcs | | 6pcs |
| | | F |  |
| | | | 8pcs |

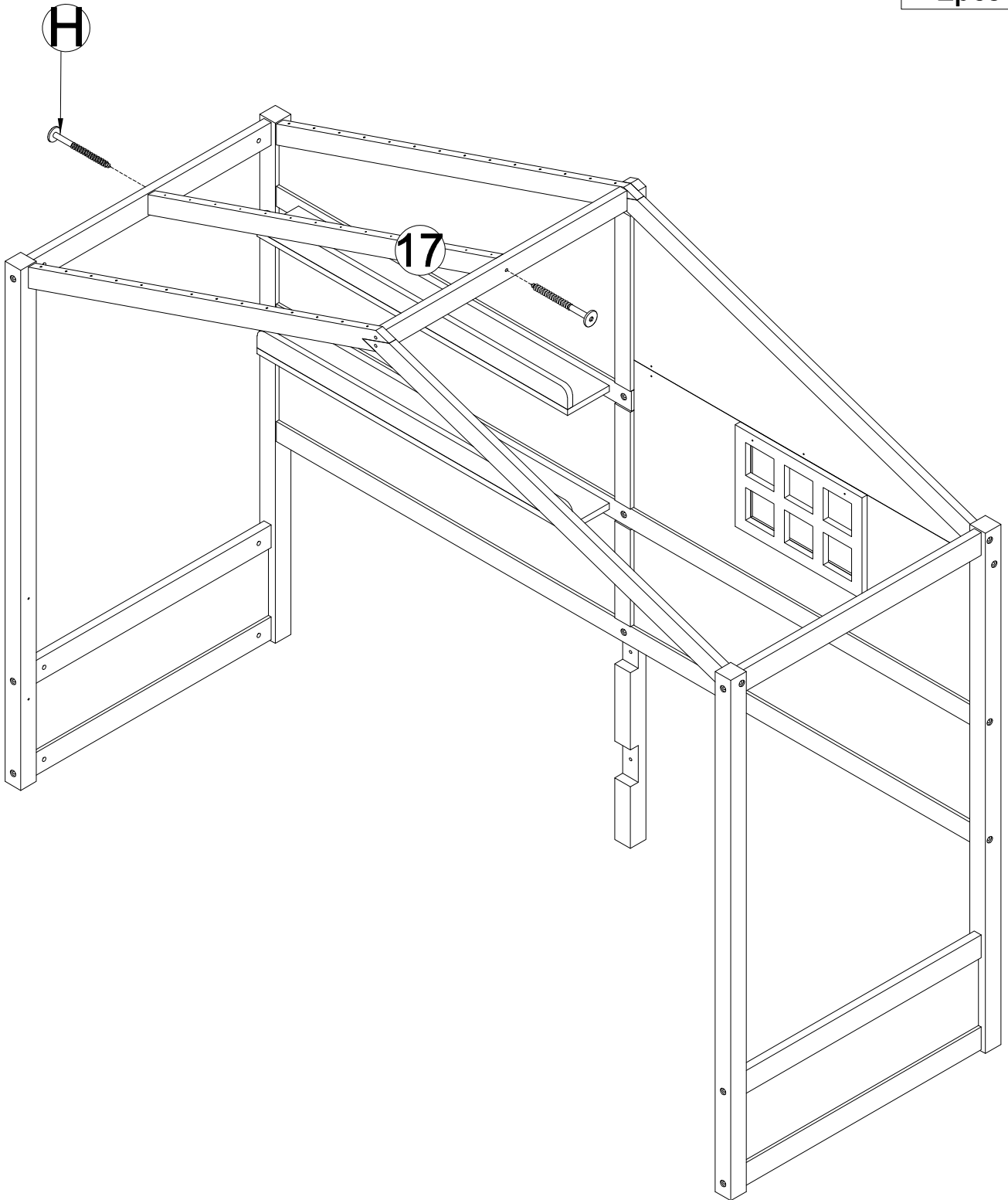


STEP 9:

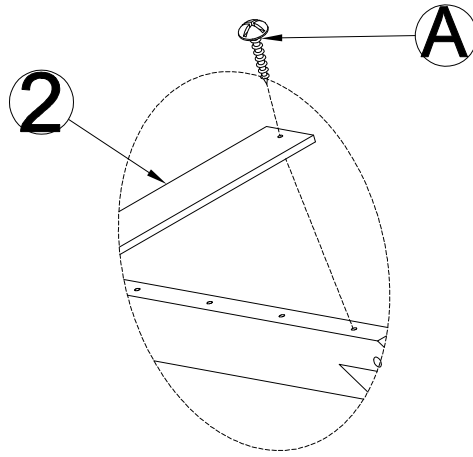
H



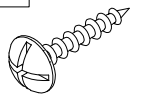
2pcs



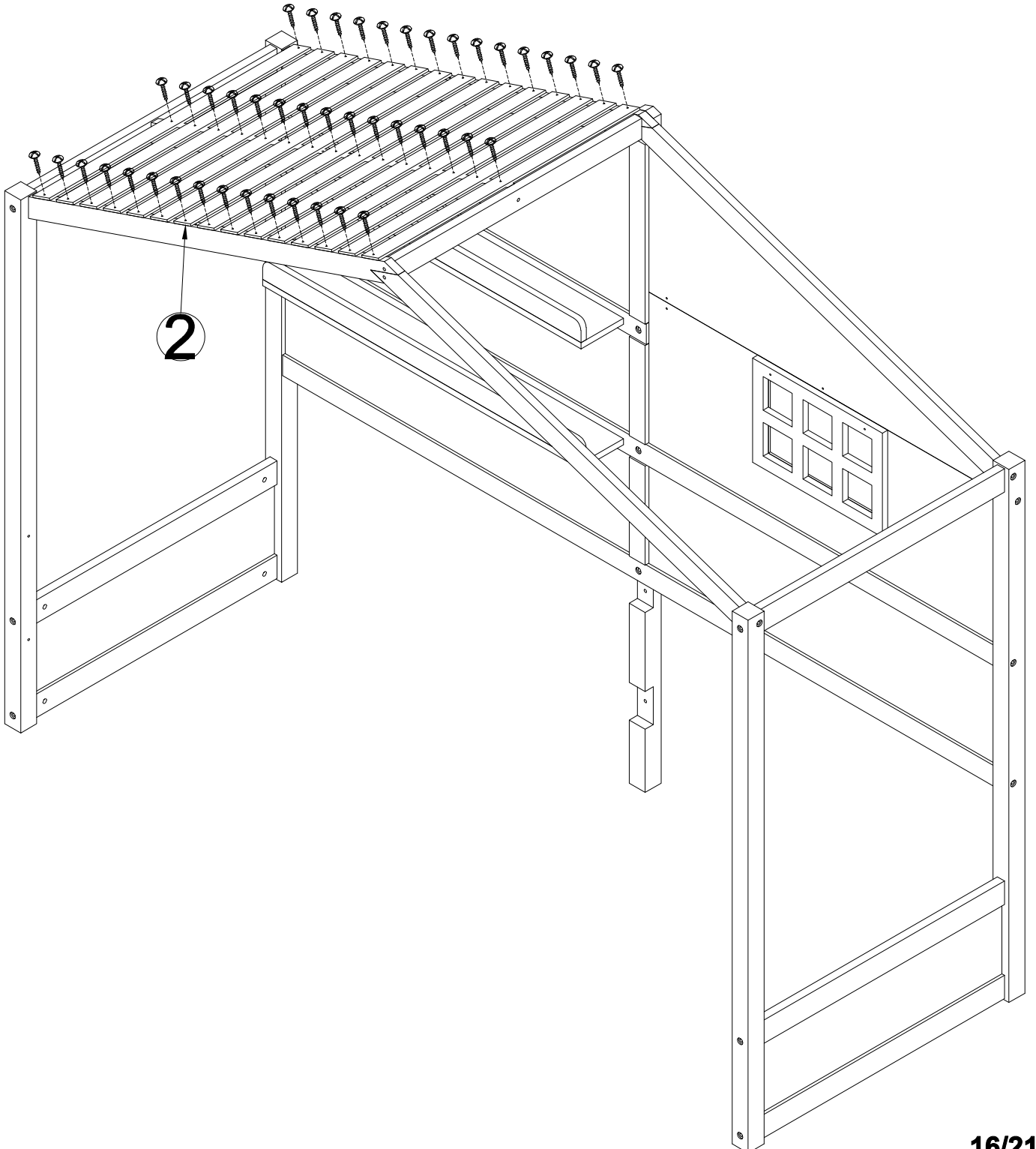
STEP 10:




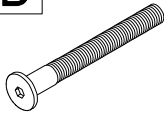
A

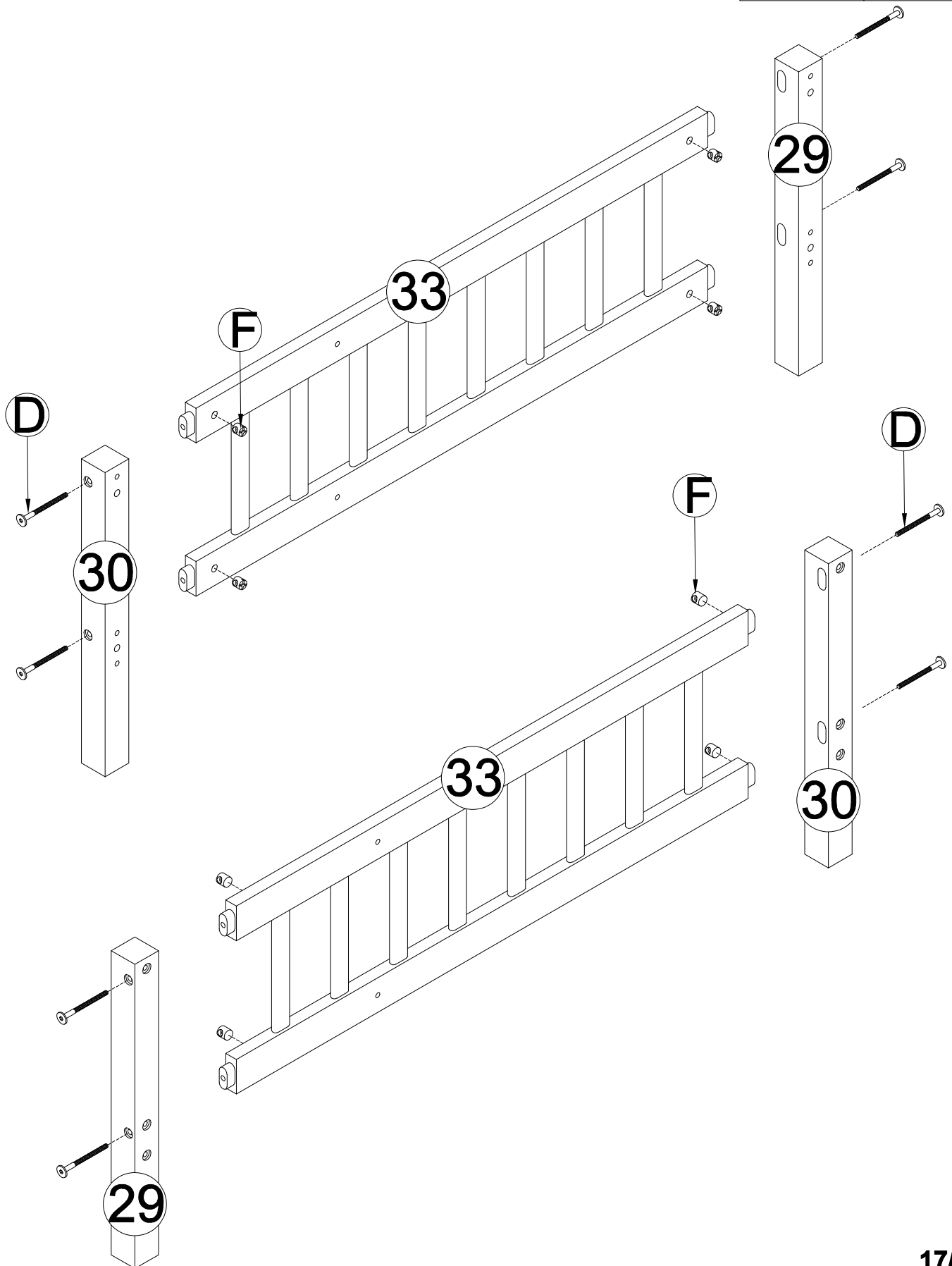


45pcs


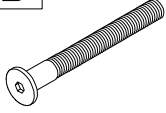



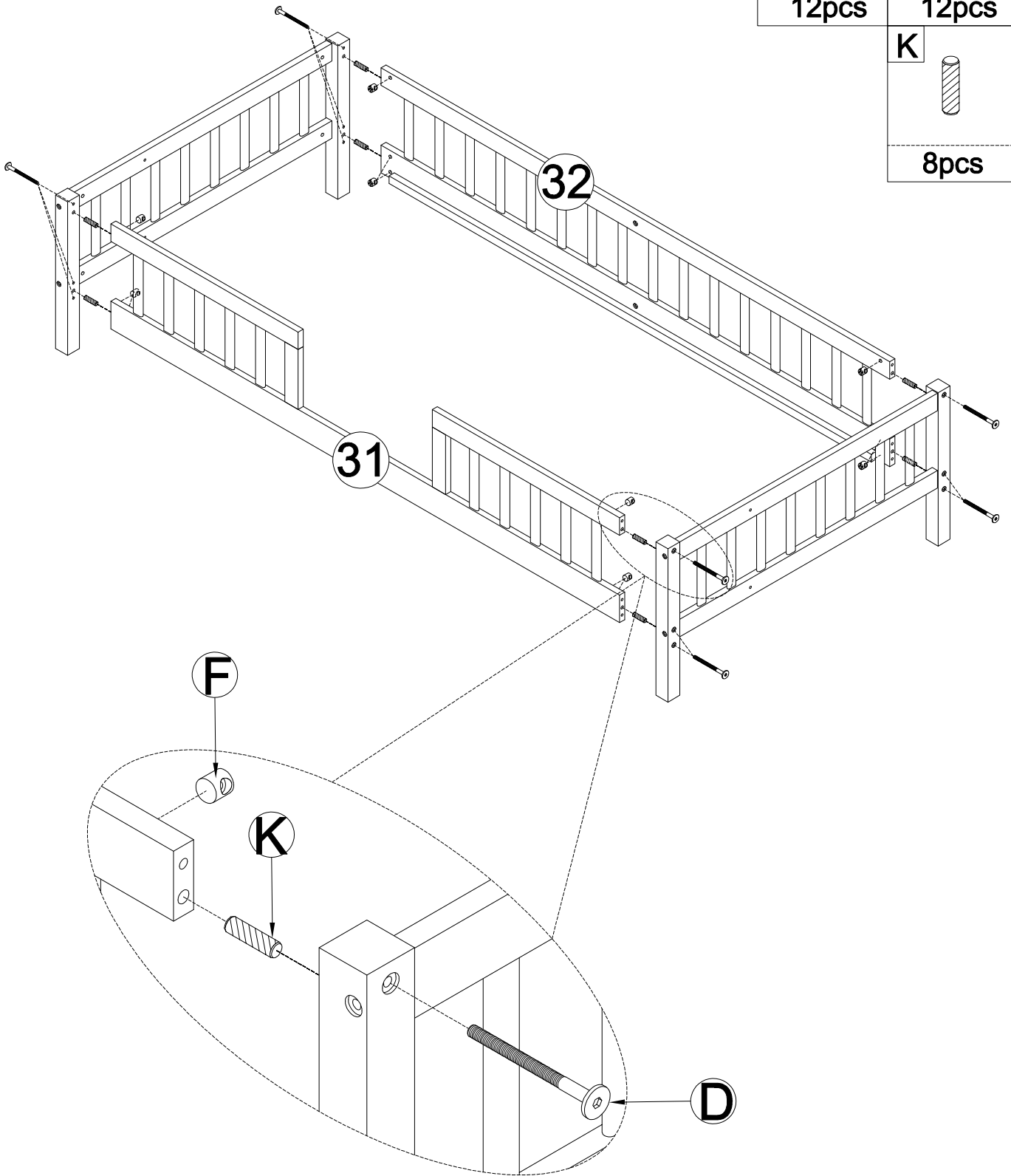
STEP 11:

| | | | |
|----------|---|----------|---|
| F |  | D |  |
| 8pcs | | 8pcs | |



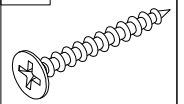
STEP 12:

| | |
|---|---|
| F  | D  |
| 12pcs | 12pcs |
| K  | |
| 8pcs | |

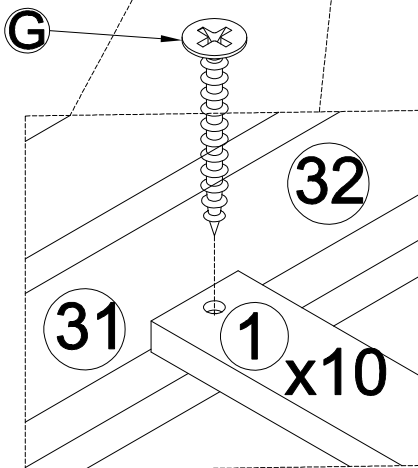
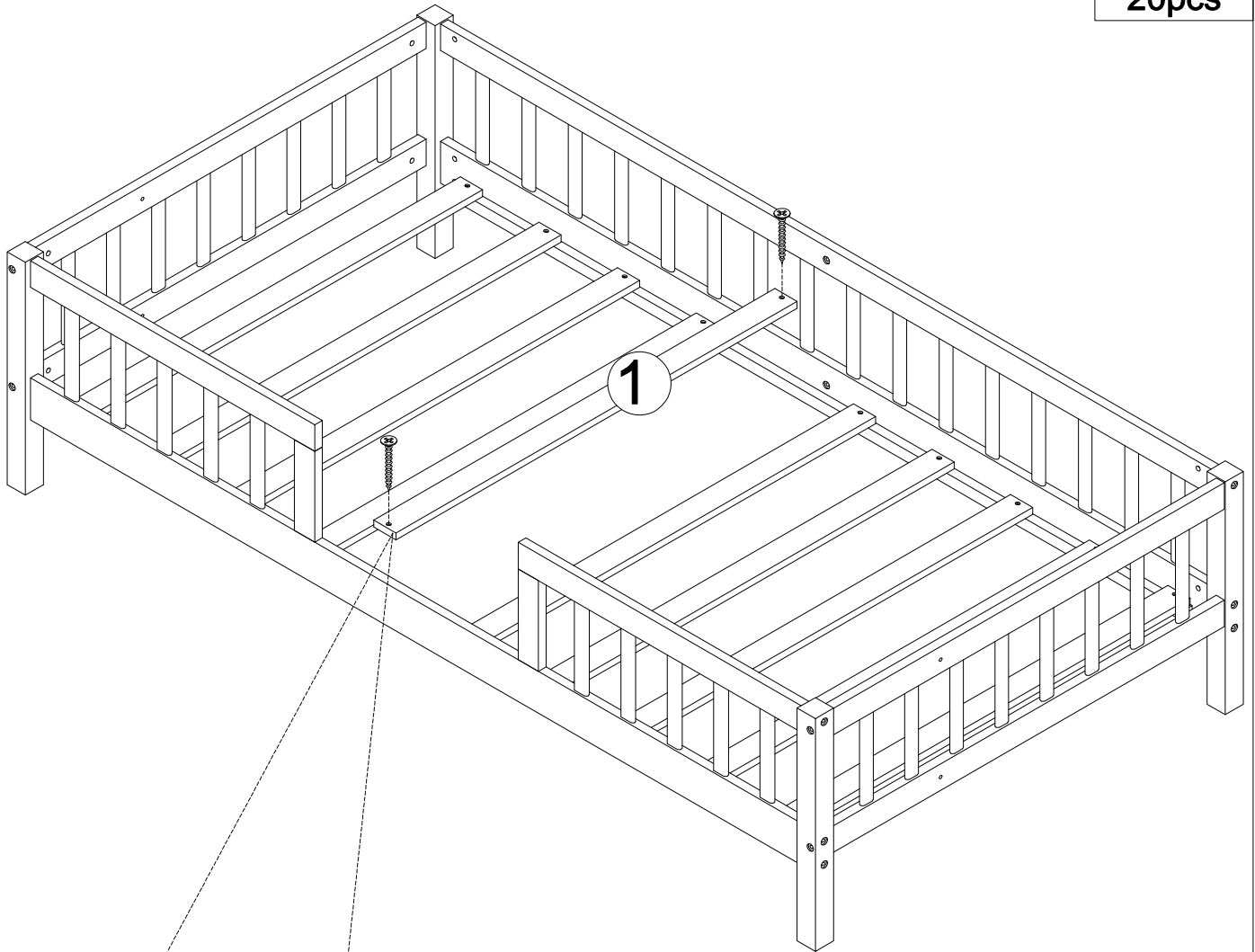


STEP 13:

G



20pcs



STEP 14:

-Using HW #B,#C,#H to connect Frame(Completed in step 8) with Frame(Completed in step 11)

H



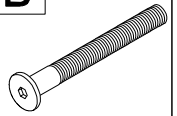
4pcs

C

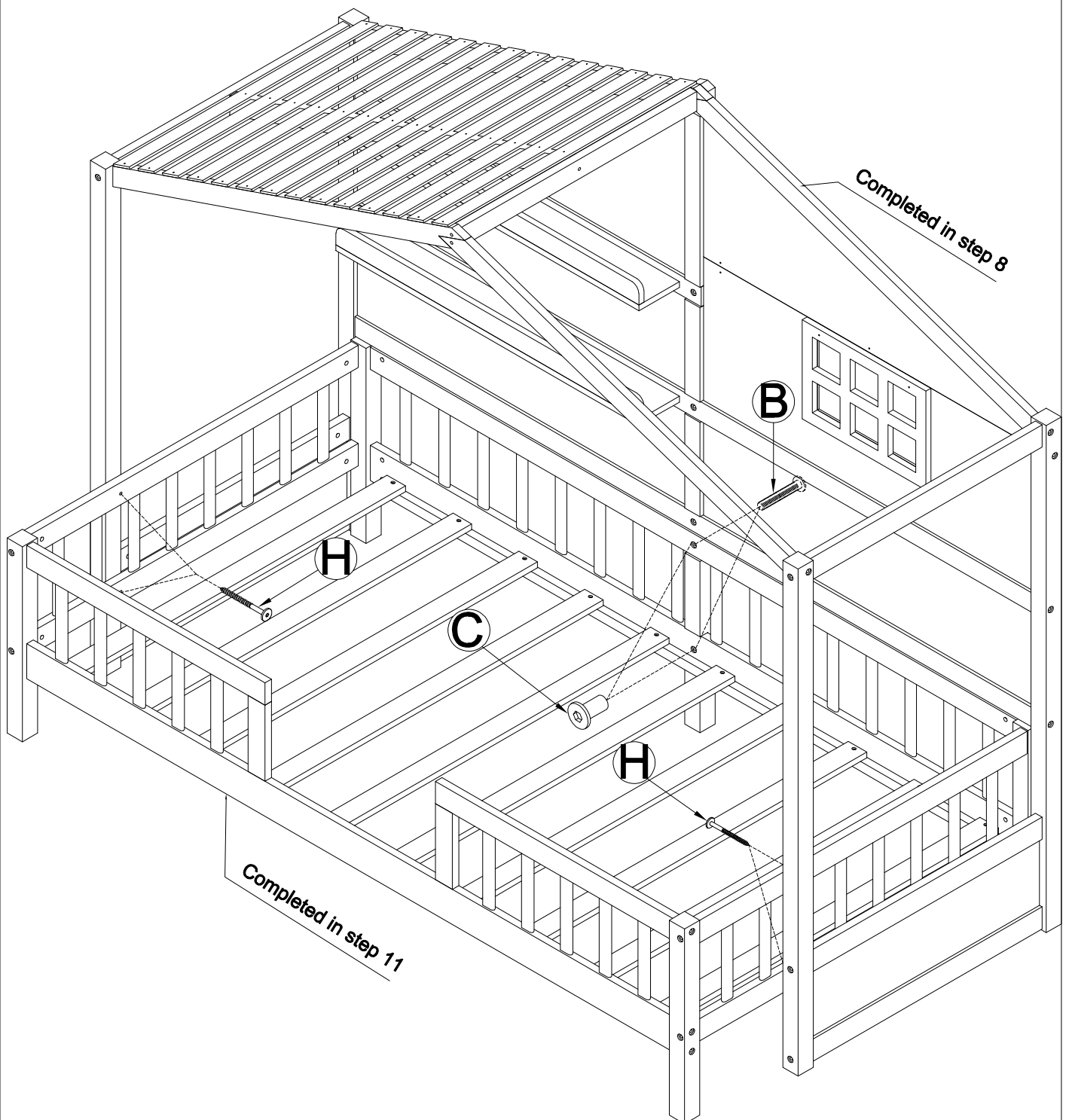


2pcs

B



2pcs



STEP 15: CONGRATULATION. YOU HAVE COMPLETED THE BED
Connect the LED wire as shown

