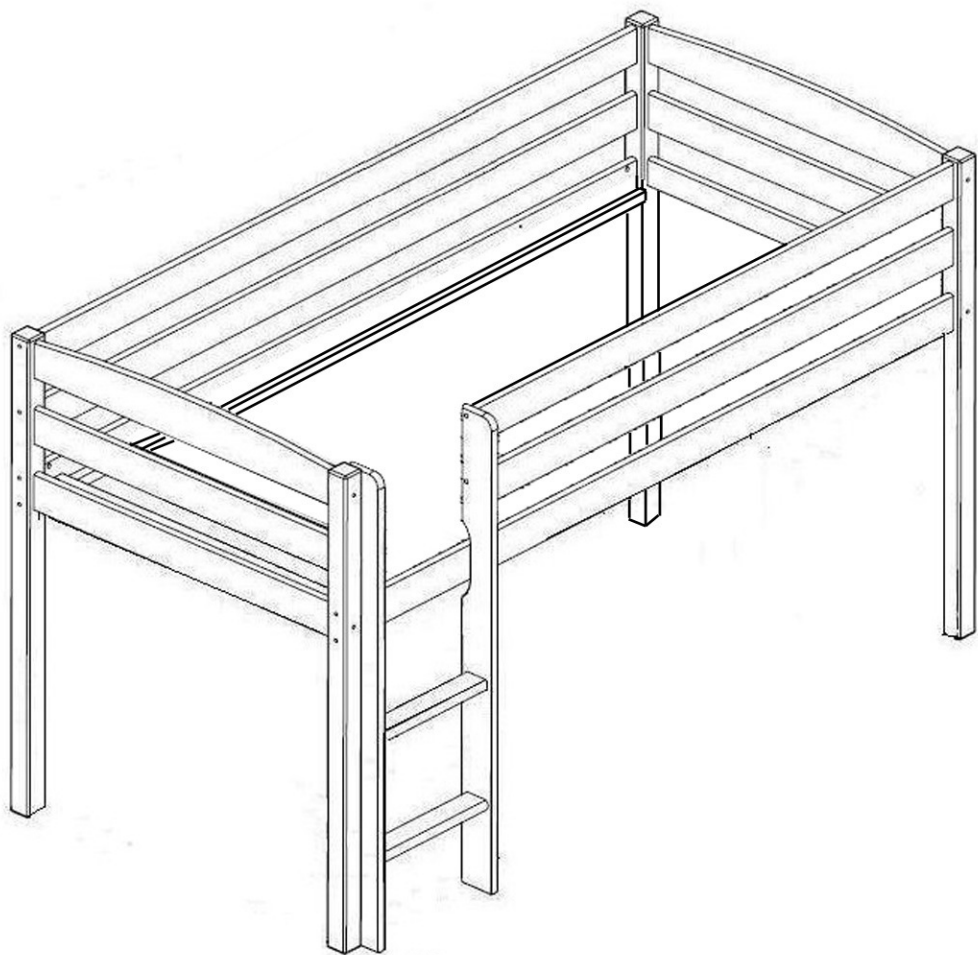
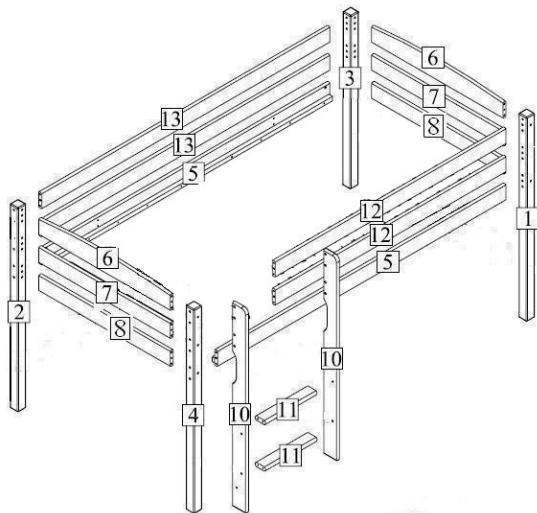
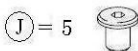
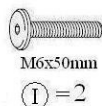
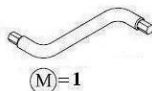
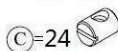
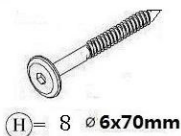
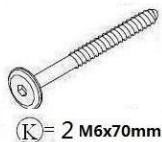
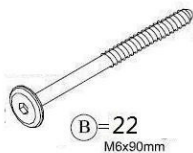
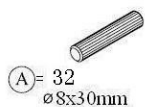
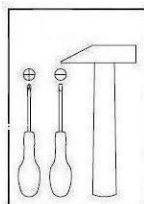


200*90cm



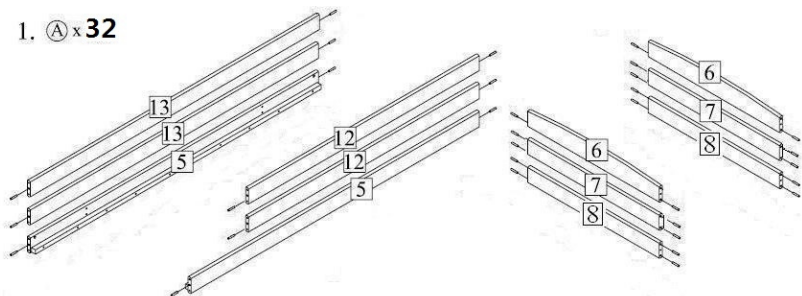


- 1=1
- 2=1
- 3=1
- 4=1
- 5=2
- 6=2
- 7=2
- 8=2
- 10=2
- 11=2
- 12=2
- 13=2



R X 14

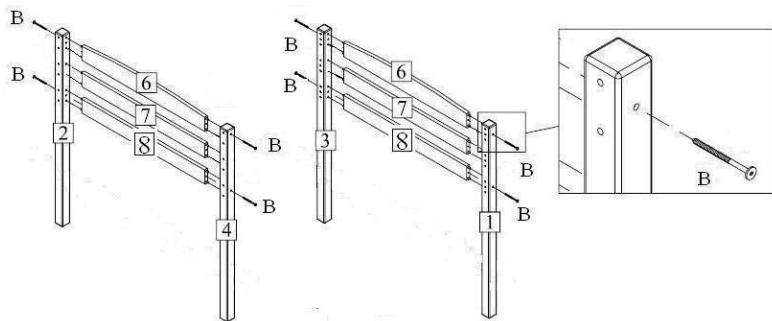
1. $\textcircled{A} \times 32$



2.

$\textcircled{B} \times 8$

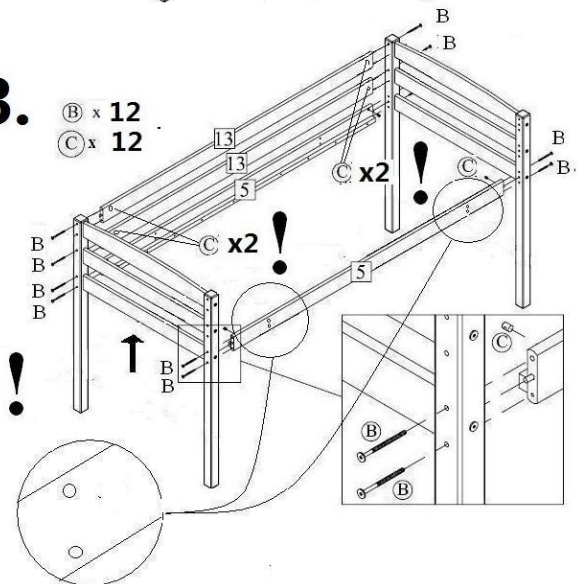
$\textcircled{C} \times 8$



3.

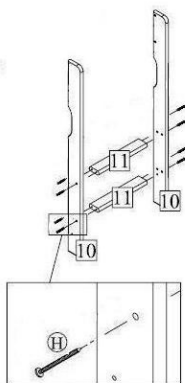
$\textcircled{B} \times 12$

$\textcircled{C} \times 12$



4.

Ⓜ x 8

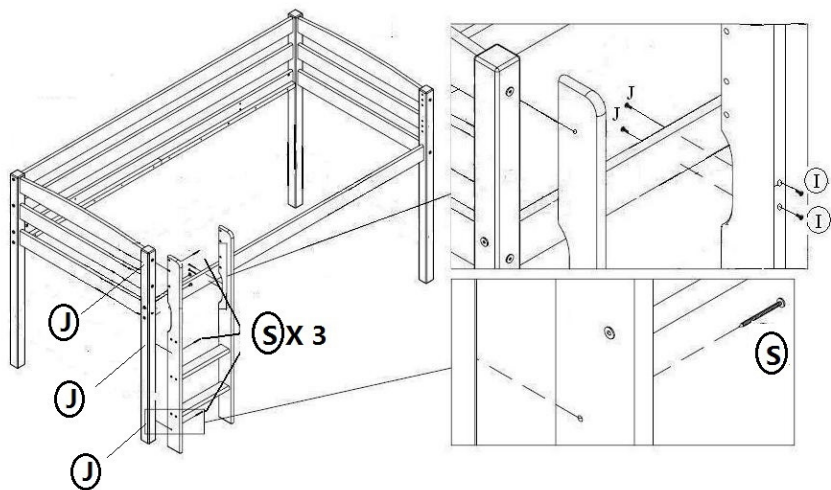


5.

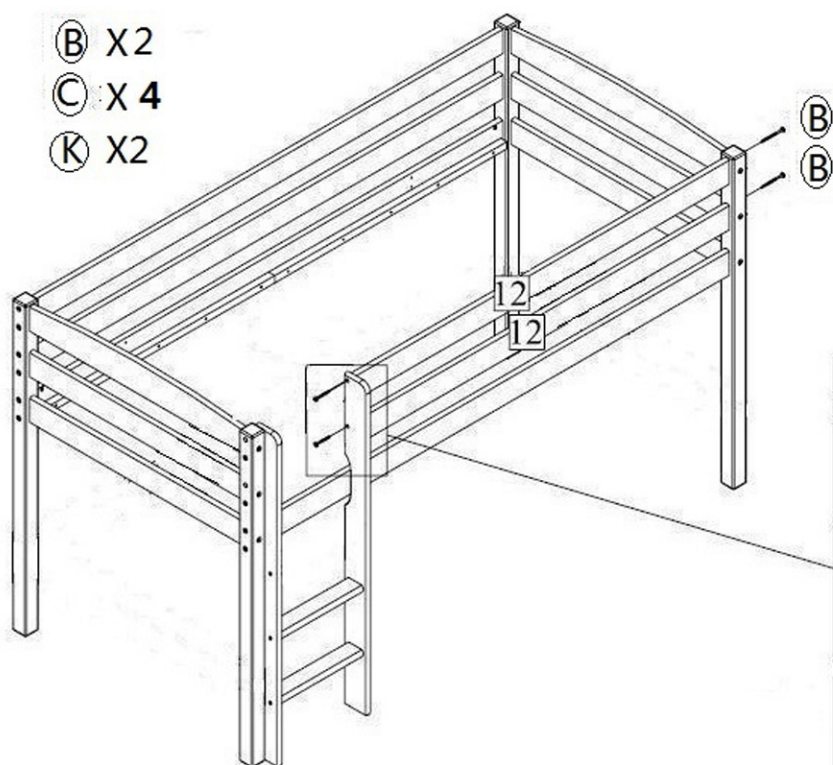
Ⓢ x 3

Ⓝ x 5

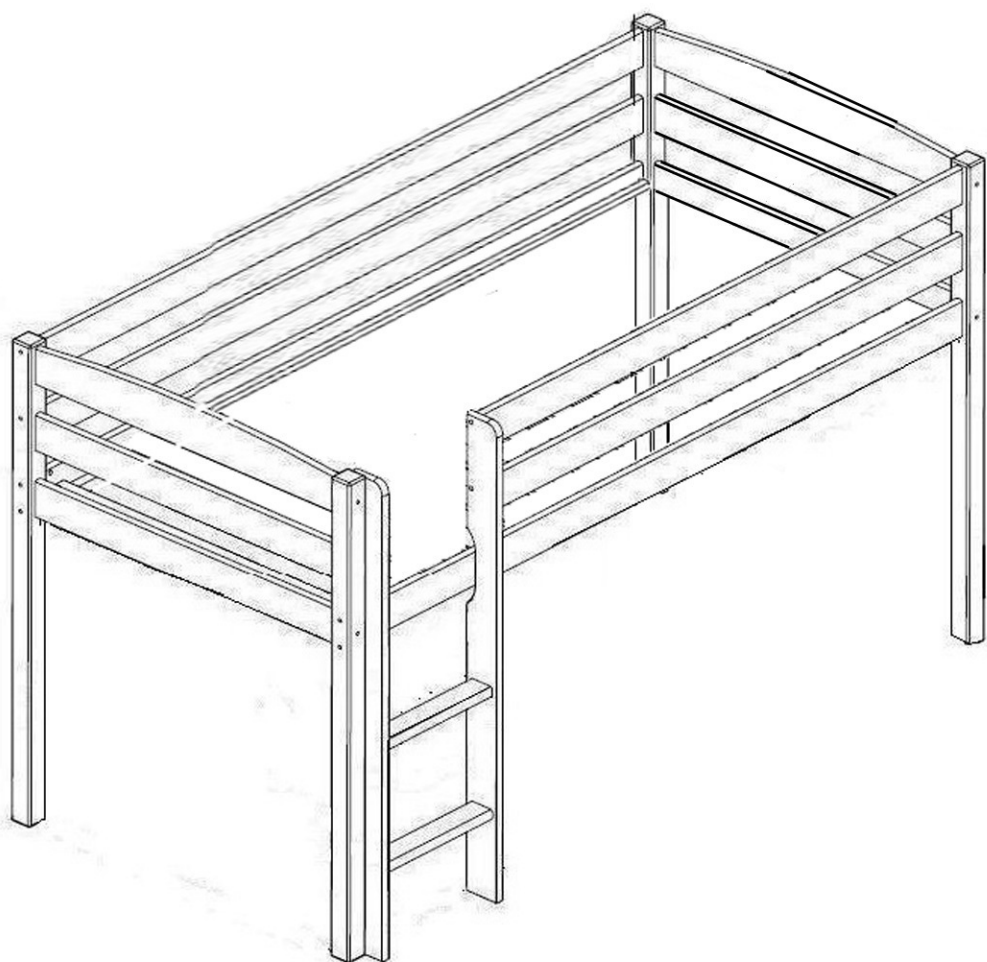
Ⓡ x 2



6. (B) X2
(C) X4
(K) X2



7.



8.

