

# INSTALLATION INSTRUCTIONS

Read these instructions carefully.

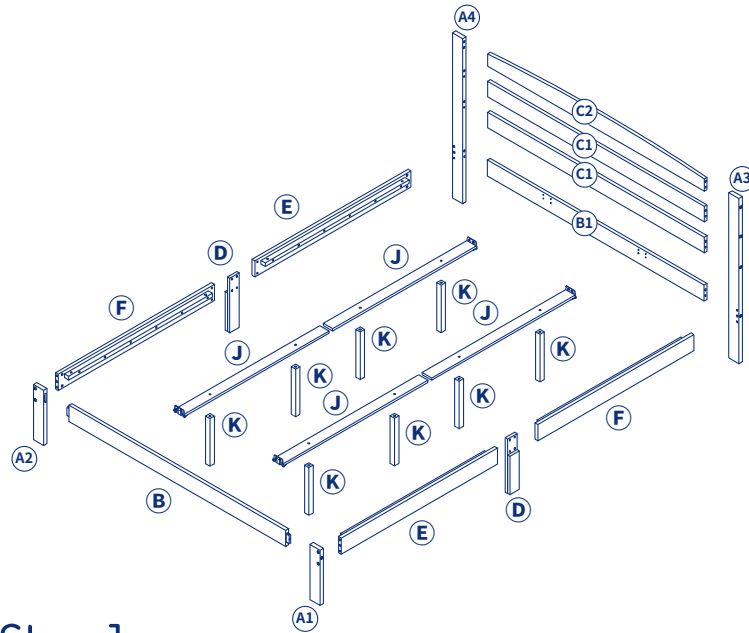
Ensure that all parts are complete before assembling.

- |                                    |   |                              |
|------------------------------------|---|------------------------------|
| (A1) Foot Post x1                  | ① | JCBC<br>M6 x 100mm x10       |
| (A2) Foot Post x1                  | ② | M6 x 15mm<br>Barrel Nut x18  |
| (A3) Head Post x1                  | ③ | M6<br>Flat Washer x8         |
| (A4) Head Post x1                  | ④ | JCBC<br>M6 x 30mm x8         |
| (B) Fb. Panel x1                   | ⑤ | Wood Dowel<br>M10 x 30mm x12 |
| (B1) Hb. Support Bar x1            | ⑥ | JCBC<br>M6 x 65mm x8         |
| (C1) Hb. Mid. & Bottom<br>Panel x2 | ⑦ | JCBC-W<br>M6 x 30mm x8       |
| (C2) Hb. Top Panel x1              | ⑧ | Center Rail<br>Bracket x4    |
| (D) Side Rail Support x2           | ⑨ | CSK Screw<br>M4 x 16mm x16   |
| (E) Side Rail x2                   | ⑩ | JCBB<br>M8 x 80mm x8         |
| (F) Side Rail x2                   | ⑪ | M8<br>Flat Washer x8         |
| (G) Set of Slats x2                | ⑫ | M4<br>Allen Key x1           |
| (J) Center Rail x4                 | ⑬ | M5<br>Allen Key x1           |
| (K) Support Leg x8                 |   |                              |



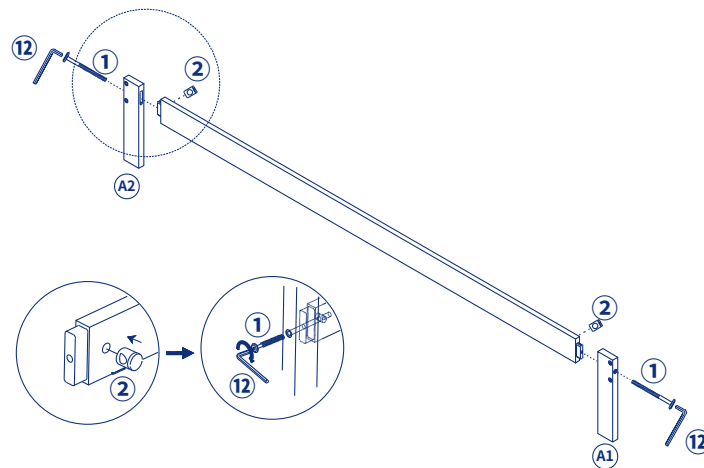
Scan the QR code,  
search for installation instruction

Please contact us at  
[customerservice@subrtex.com](mailto:customerservice@subrtex.com)  
for any questions

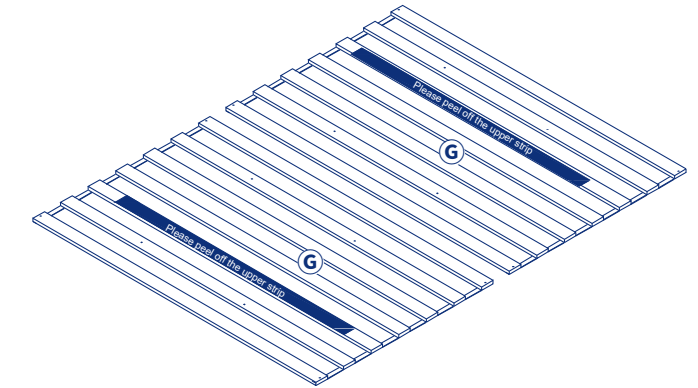


## Step 1

Assemble the Foot Post (A1)(A2) to the Hb. Fb. Panel (B).

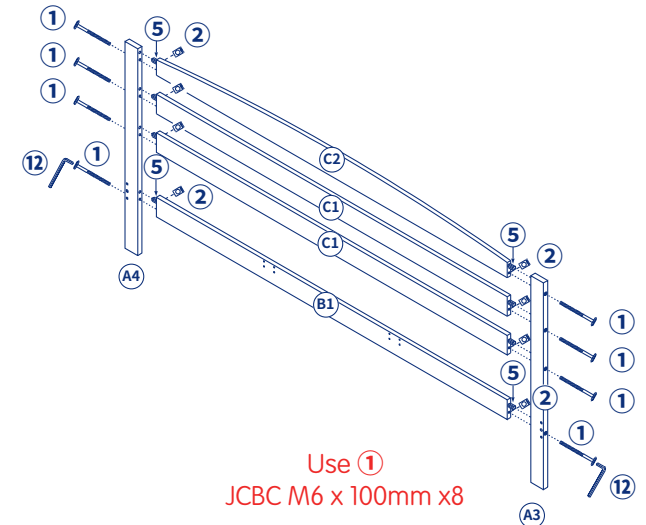


Use ①  
JCBC M6 x 100mm x2



## Step 2

Assemble the Head Post (A3)(A4) to the Hb. Mid. & Bottom Panel (C1) & Hb. Top Panel (C2) & Hb. Support Bar (B1).

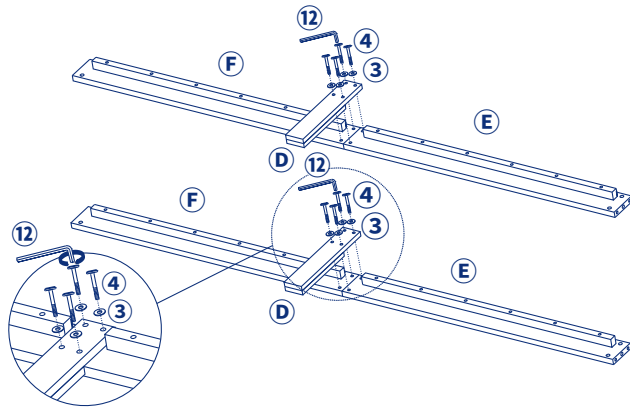


Use ①  
JCBC M6 x 100mm x8



## Step 3

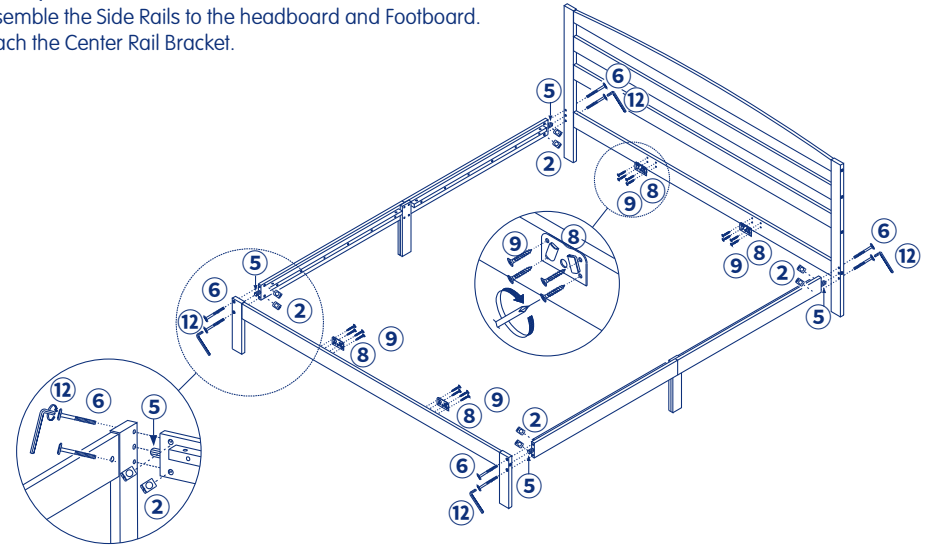
Assemble the Side Support Rails (D) to the all the Side Rails (E)(F).



Use ④  
JCBC M6 x 30mm x8

## Step 4

Assemble the Side Rails to the headboard and Footboard.  
Attach the Center Rail Bracket.



Use ⑥  
JCBC M6 x 65mm x8

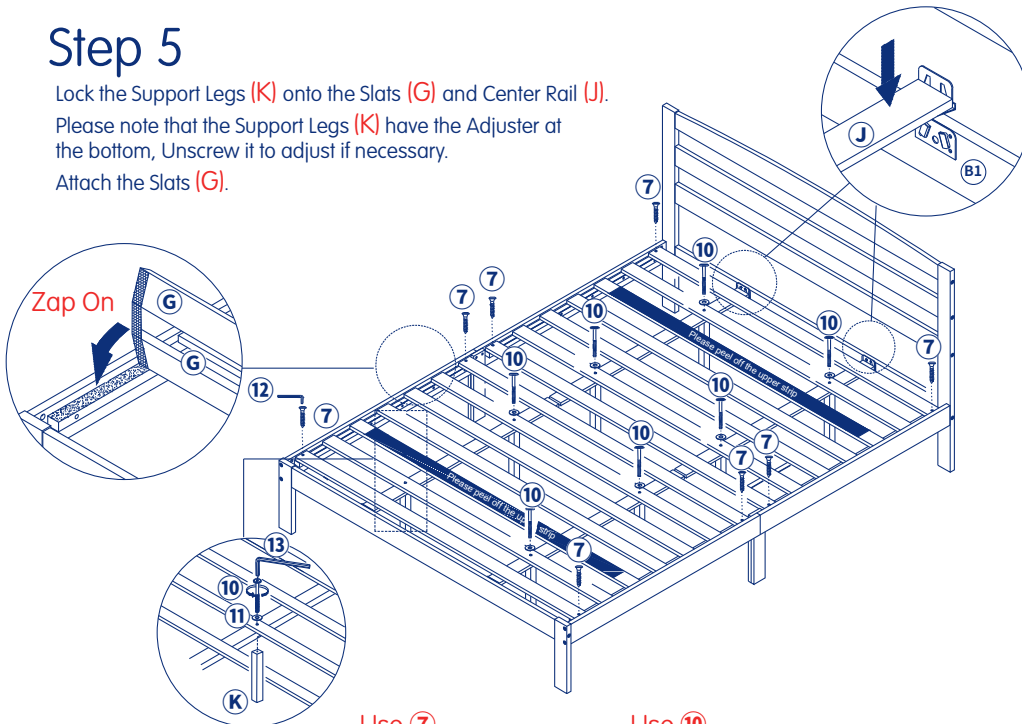
Use ⑨  
CSK Screw M4 x 16mm x16

## Step 5

Lock the Support Legs (K) onto the Slats (G) and Center Rail (J).

Please note that the Support Legs (K) have the Adjuster at the bottom, Unscrew it to adjust if necessary.

Attach the Slats (G).

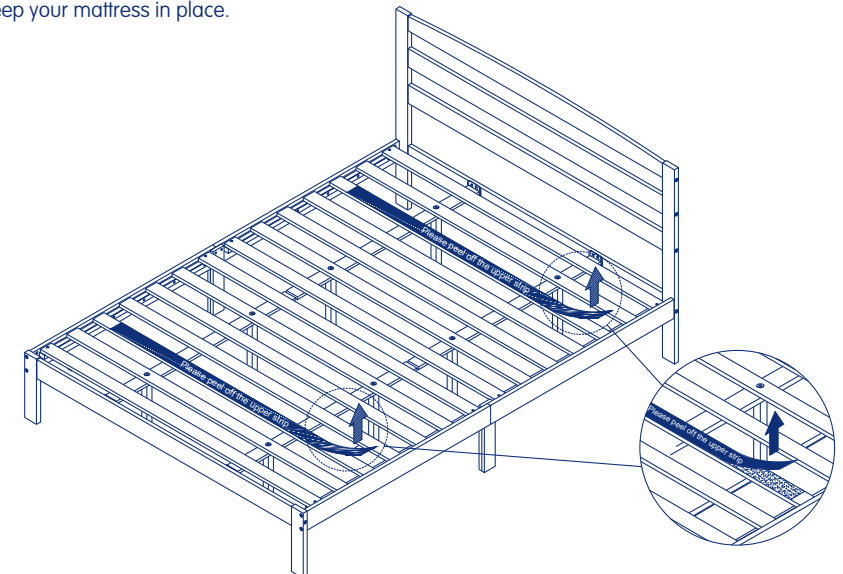


Use ⑦  
JCBC-W M6 x 30mm x8

Use ⑩  
JCBB M8 x 80mm x8

## Step 6

Remove adhesive protection strip from non-slip taped slats as shown to help keep your mattress in place.



Tighten the Bolts.  
When everything is put together  
tighten all the Bolts.

Please make sure to only  
remove the top vinyl strip  
and not the whole tape!