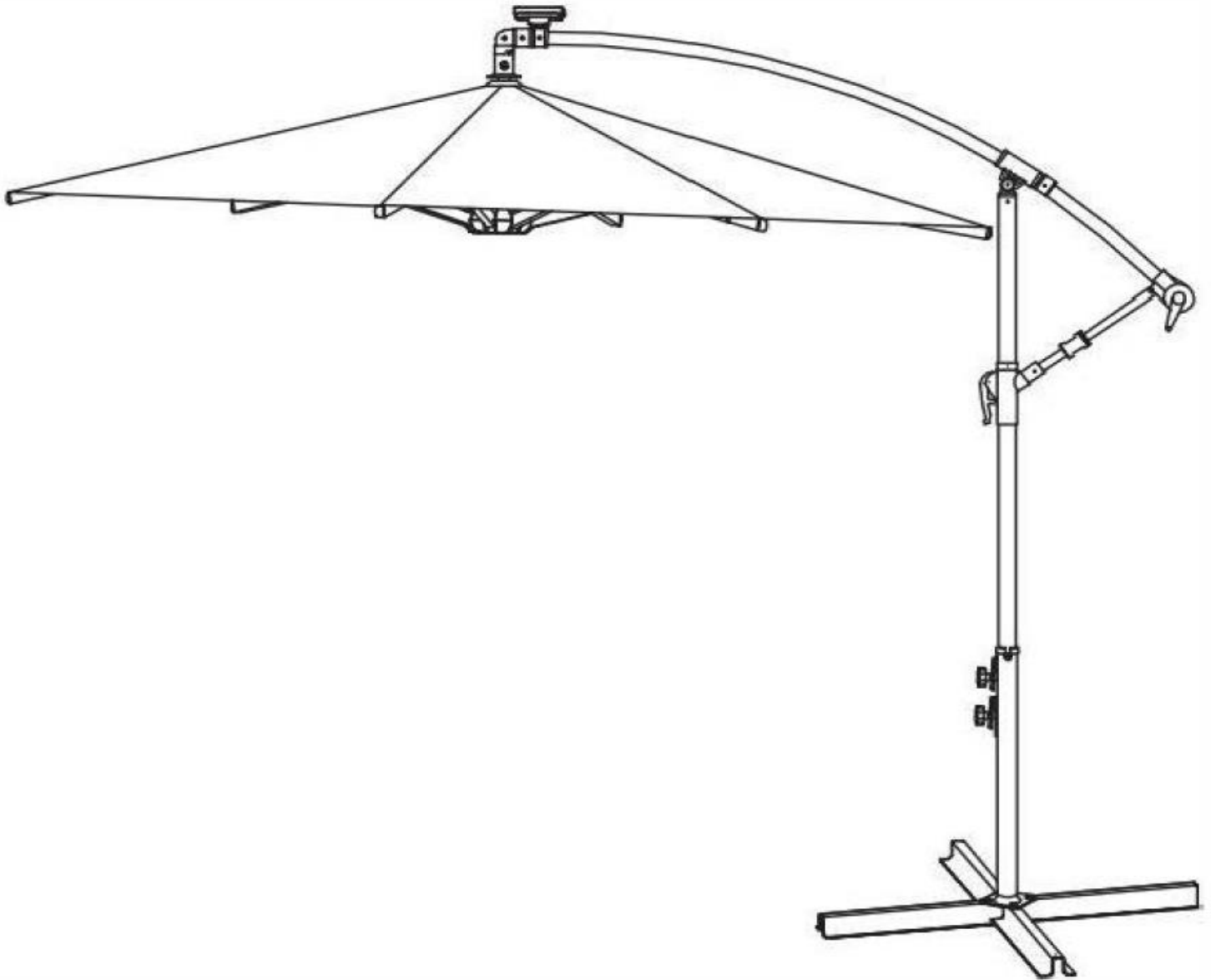


10FT PATIO OFFSET UMBRELLA WITH LED LIGHTS

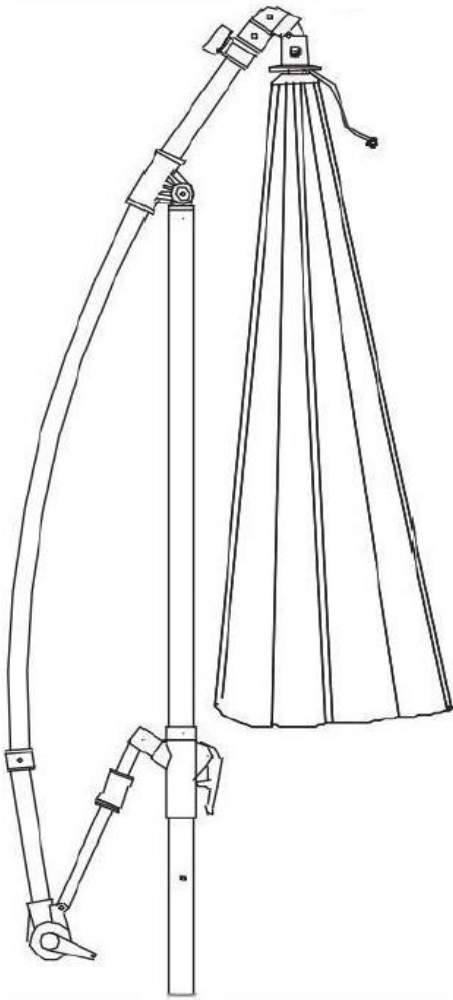


OWNER'S MANUAL AND SAFETY INSTRUCTIONS

SAVE THIS MANUAL: KEEP THIS MANUAL FOR SAFETY WARNINGS, PRECAUTIONS, ASSEMBLY, OPERATING, INSPECTION, MAINTENANCE AND CLEANING PROCEDURES. WRITE THE PRODUCT'S SERIAL NUMBER ON THE BACK OF THE MANUAL NEAR THE ASSEMBLY DIAGRAM (OR MONTH AND YEAR OF PURCHASE IF PRODUCT HAS NO NUMBER).

Check to make sure you have the following parts:

UMBRELLA STRUCTURE
A X 1PC



SOLAR UNIT
B X 1PC



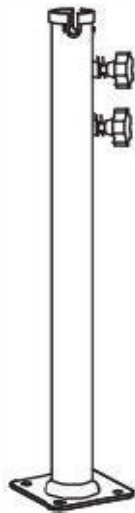
BOLTS
C X 4PCS



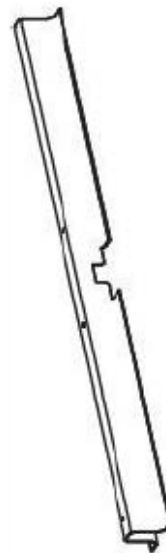
WASHERS
D X 4PCS



LOWER POLE
E X 1PC



UPPER BASE
F X 1PC



LOWER BASE
G X 1PC



CARE AND MAINTENANCE INSTRUCTIONS

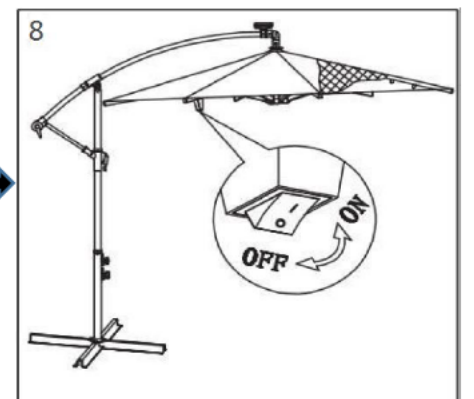
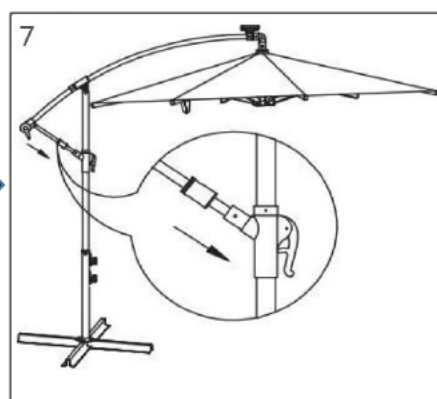
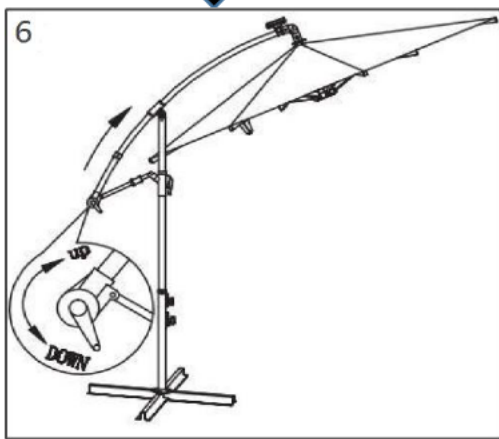
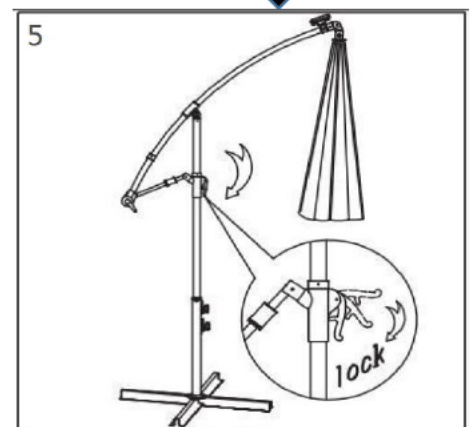
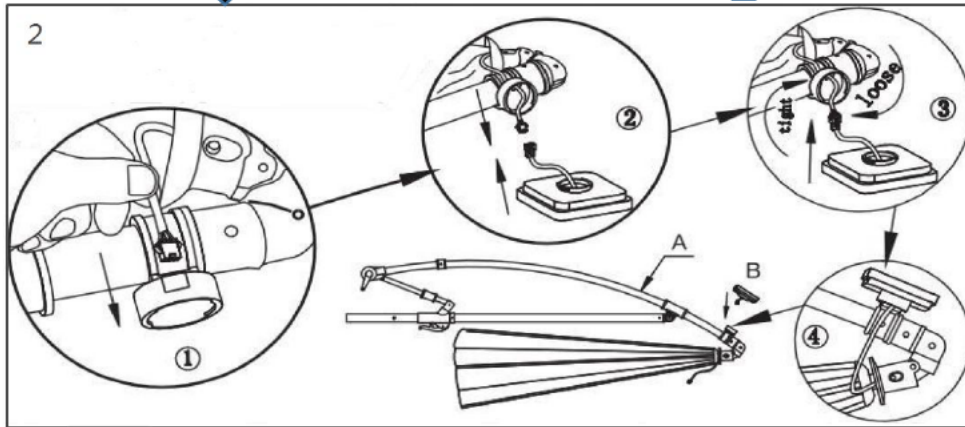
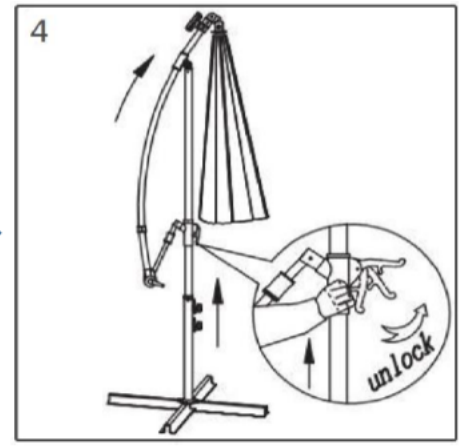
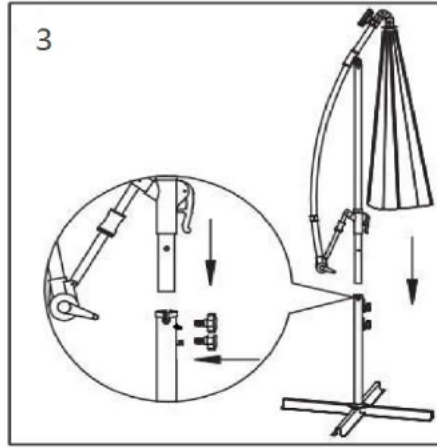
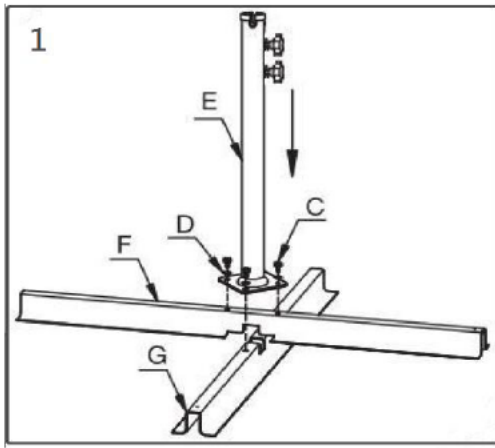
Care and Maintenance Instructions:

To maintain the beauty of your umbrella, wipe with a clean, damp cloth before each use. When not in use, protect your umbrella with cover.

WARNING!

Parts may be heavy. Handle with care. Keep children away from assembly area.

Assembly Instructions



ATTENTION :

Remove all parts from packaging.

Spread out parts on a soft level surface to avoid scratching parts.