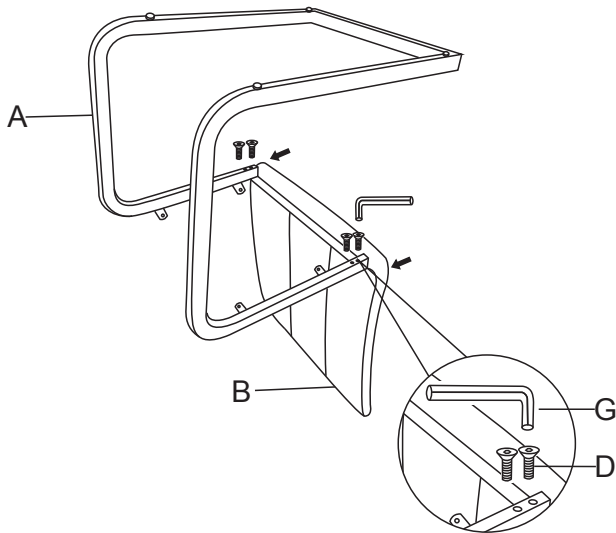


ASSEMBLY INSTRUCTION

Description: Dining Chair

Thank you for purchasing this quality product. Be sure to check all packing material carefully for small parts that may have come loose inside the carton during shipment.

Step 1:



Firstly, fix the backrest with the chair leg but do not fully tighten the bolt(D).

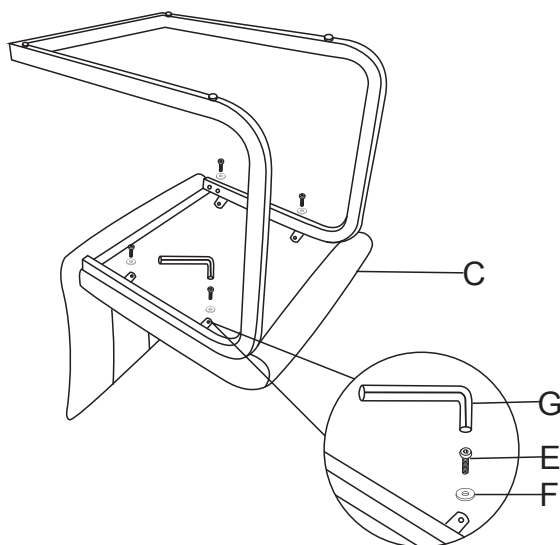
PART LIST:

NO.	Description	Diagram	Quantity
A	Chair leg		1
B	Chair backrest		1
C	Chair seat		1

HARDWARE LIST:

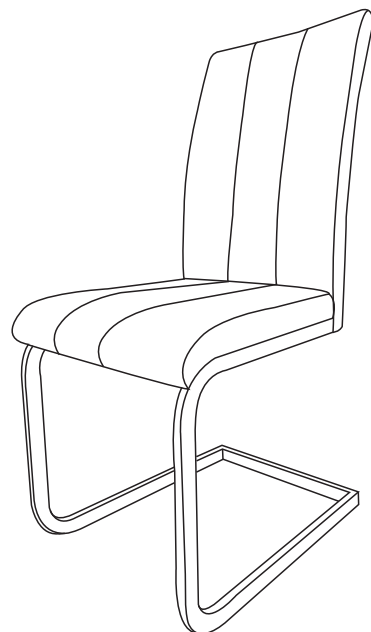
NO.	Description	Diagram	Size	Quantity
D	Bolt		M6×13mm	4
E	Bolt		M6×20mm	4
F	Flat washer		∅16×∅6mm	4
G	Allen key		4#	1

Step 2:



Assemble the chair seat with the chair leg but do not fully tighten the bolt(E).

Finished



Finally, lean the chair with extra care and tighten the bolt.(D&E).

Made In China