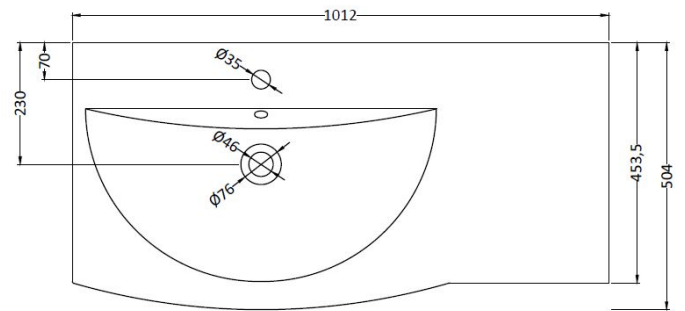
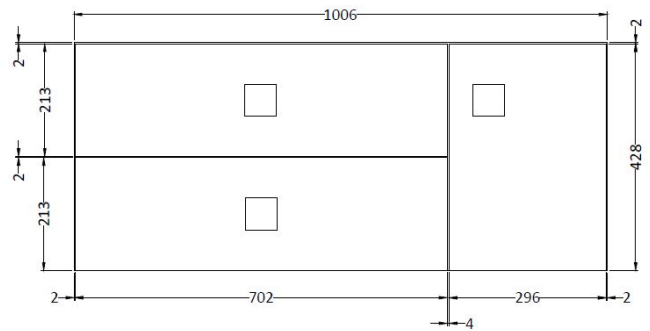


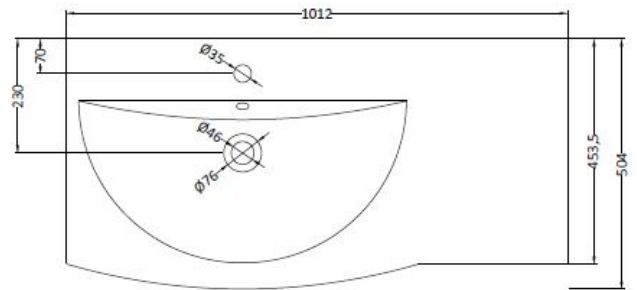
# CUSTOMER DATA SHEET

DESCRIPTION: 1000mm Basin Unit Lh



# CUSTOMER DATA SHEET - CERAMICS

**DESCRIPTION:** 1012 X 504 Vanity Basin Lh



### PRODUCT DIMENSIONS

Height (mm)	Width (mm)	Depth (mm)	Nett Wgt Kg
130	1012	505	13.5

### PACKAGING DIMENSIONS

Height (mm)	Width (mm)	Depth (mm)	Gross Wgt Kg
110	1012	504	13.5

### PACKAGING DATA

Box Colour	Brown Cardboard Box - Printed		
Box Qty	1	Label Colour	White Label
Label Size	100 x 50	Label Qty	2

### OUTER BOX DIMENSIONS (If Applicable)

Height (mm)	Width (mm)	Depth (mm)	Gross Wgt Kg

### PRODUCT DETAILS

Country of Origin	Poland
Fitting Instruction	No

Certification	CE	N/A	WRAS	N/A	WRAS Number	N/A
Product Material	Polymarble					

### PANS/BIDETS

Trap Style	Not Relevant	Includes Seat	N/A
------------	--------------	---------------	-----

### CISTERNS

Fittings	Not Applicable	Operating Type	Not Applicable
Lever Type	Not Applicable		

### SEAT

Type	Not Applicable	Function	Not Applicable
Material	Not Applicable		
Hinge Type	Not Applicable	Hinge Material	Not Applicable

### BASINS

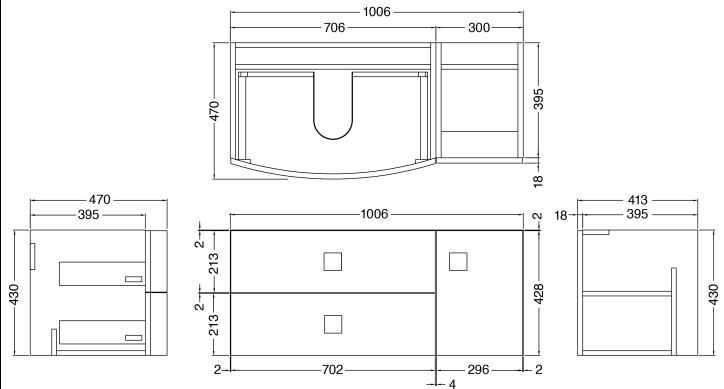
Tap Hole	One Taphole	Chain Stay Hole	No
Template	Not Required	Waste Type Req'd	Slotted
Overflow Incl.	Yes	Overflow Cover	Yes

### GENERAL

Fixing Supplied	No
-----------------	----

# CUSTOMER DATA SHEET - FURNITURE

**DESCRIPTION:** 1000 Wall Hung 2 Drawer Vanity Unit Lh



### PRODUCT DIMENSIONS

Height (mm)	Width (mm)	Depth (mm)	Nett Wgt Kg
460	1010	410	35.1

### PACKAGING DIMENSIONS

Height (mm)	Width (mm)	Length (mm)	Gross Wgt Kg
500	990	470	36.75

### PACKAGING DATA

Box Colour	Brown Cardboard Box		
Box Qty	1	Label Colour	White Label
Label Size	100 x 50	Label Qty	2

### OUTER BOX DIMENSIONS (If Applicable)

Height (mm)	Width (mm)	Depth (mm)	Gross Wgt Kg

### PRODUCT DETAILS

Country of Origin	Ireland			
Fitting Instruction	No			
Constr' Method	Cam & Wood Dowel			
Cabinet Finish	Mdf Vinyl Textured Woodgrain			
Cab Thickness (mm)	18			
Cab Edging (mm)				
Drawer Included	Yes			
No of Shelves	1			
Hinge Inc'	Yes			
Fixings Inc'	Yes			
Handle Inc'	Yes			
Handle Type	Square			
Certification	FSC	Yes	CE	N/A
Colour	White			
Constr' Type	Rigid			
Fascia Finish	Mdf Vinyl Textured Woodgrain			
Fas Thickness (mm)	18			
Fas Edging (mm)				
Drawer Type	80mm High Metal Softclose			
Hinge Type	95 Degree Clip-On Soft Close			
Adjustable Legs	No			
Handle Style	Modern			
Waste Shroud	Yes			