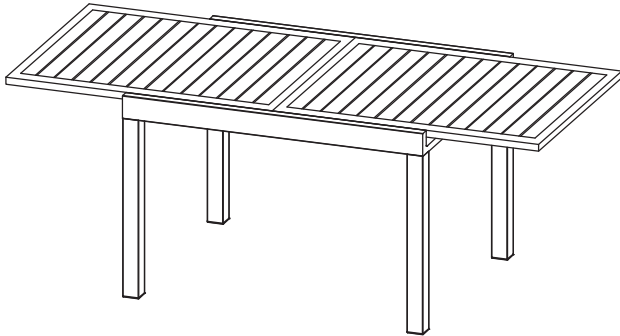


# ALUMINIUM EXTENDABLE TABLE ASSEMBLY MANUAL



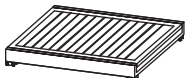




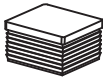

## ***Assembly Instructions***

- Prior to assembly, ensure that you lay out and identify all the parts listed in the parts list.
- Tighten all nuts and bolts securely. Hand-tighten all bolts before use. Avoid using power tools or applying excessive force during assembly and bolt tightening.
- If you encounter any difficulties during assembly or if any part is missing or damaged,

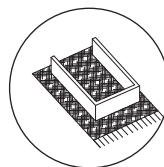
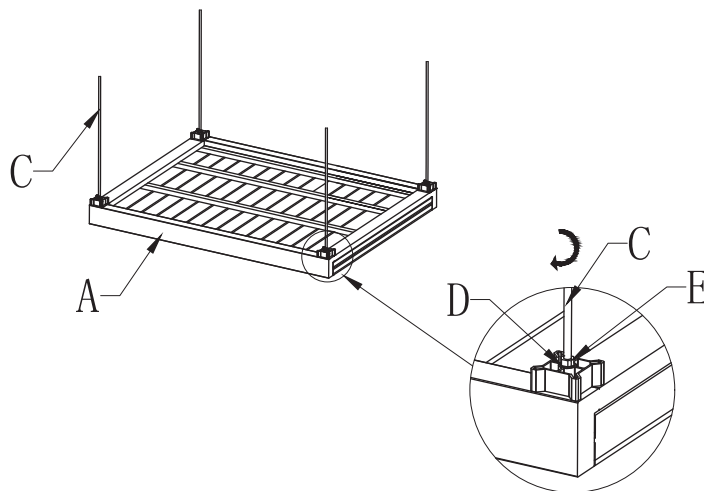
## ***Care and warranty***

- The weight capacity of this table is 110 lbs.
- Clean the frame components with a mild soap solution, then rinse thoroughly. Avoid using bleach, acid, or any other solvents on either the fabric or frame components.
- For a comprehensive warranty policy, Be aware that warranty terms can change without prior notification.
- For the best performance and safety of your table, inspect and tighten all bolts and fasteners regularly

## Part list

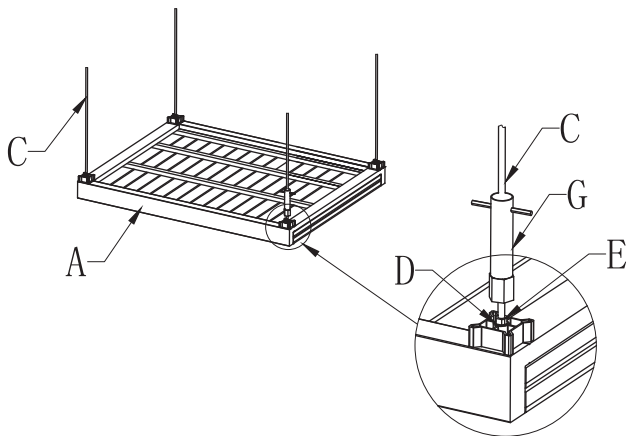
Part	Description	Qty
A	 Top	1
B	 Leg	4
C	 Fixing bolt	4
D	 Washer	8
E	 Nut	8
F	 Plastic Cap	4
G	 Driver	1

1. First, tighten the nut (Part E) at one end of the fixing bolt (Part C). Then, attach the washer (Part D) and the fixing bolt to the corner of the top (Part A) and secure it in place as shown in the diagram.

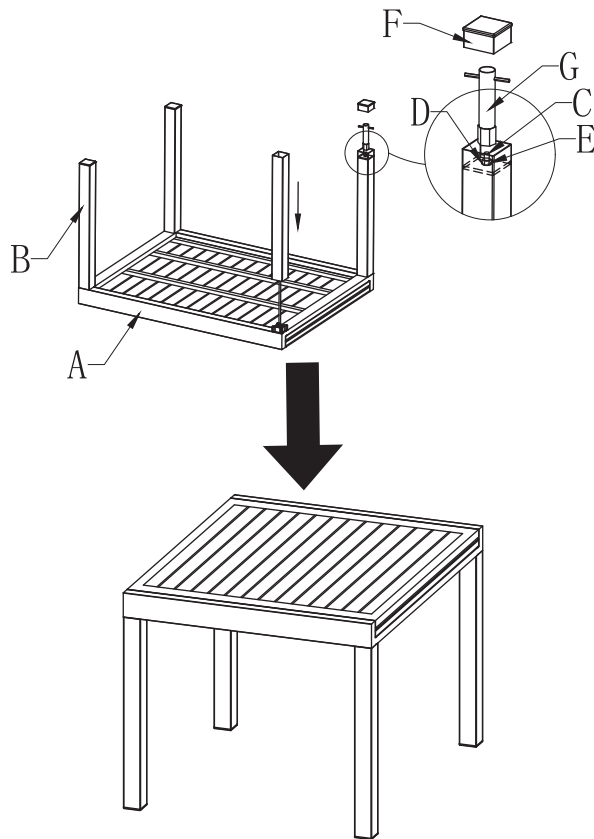


Reminder: All parts must be placed on carpet during assembly.

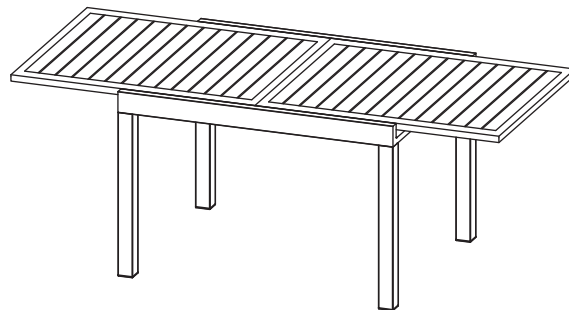
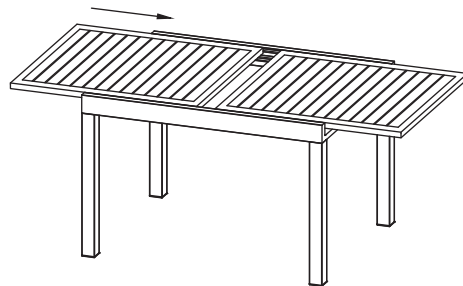
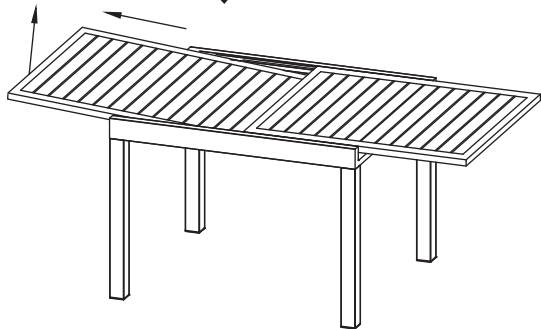
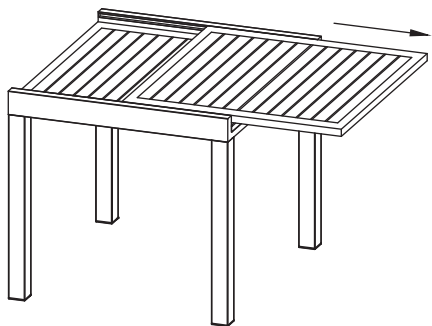
**2.** Tighten the nuts (Part E) using the driver (Part G) as shown in the diagram. shown in the diagram.



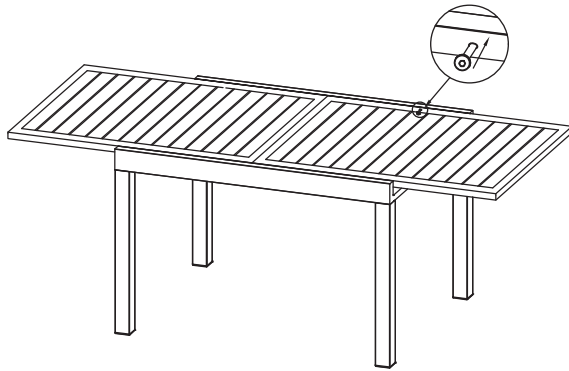
**3.** Position Leg (Part B) to cover Part C, as shown in the diagram. Then, place washer (Part D) and tighten Nut (Part E) to attach Leg (Part B) using Driver (Part G). Finally, cover it with Plastic cap (Part F).



#### 4. Manipulating the table.



5. Press the button to lock the table surface.  
Make sure all Screws are tightly fastened before  
using on level ground.



Please pull the button to loose the table surface,  
then close the table.