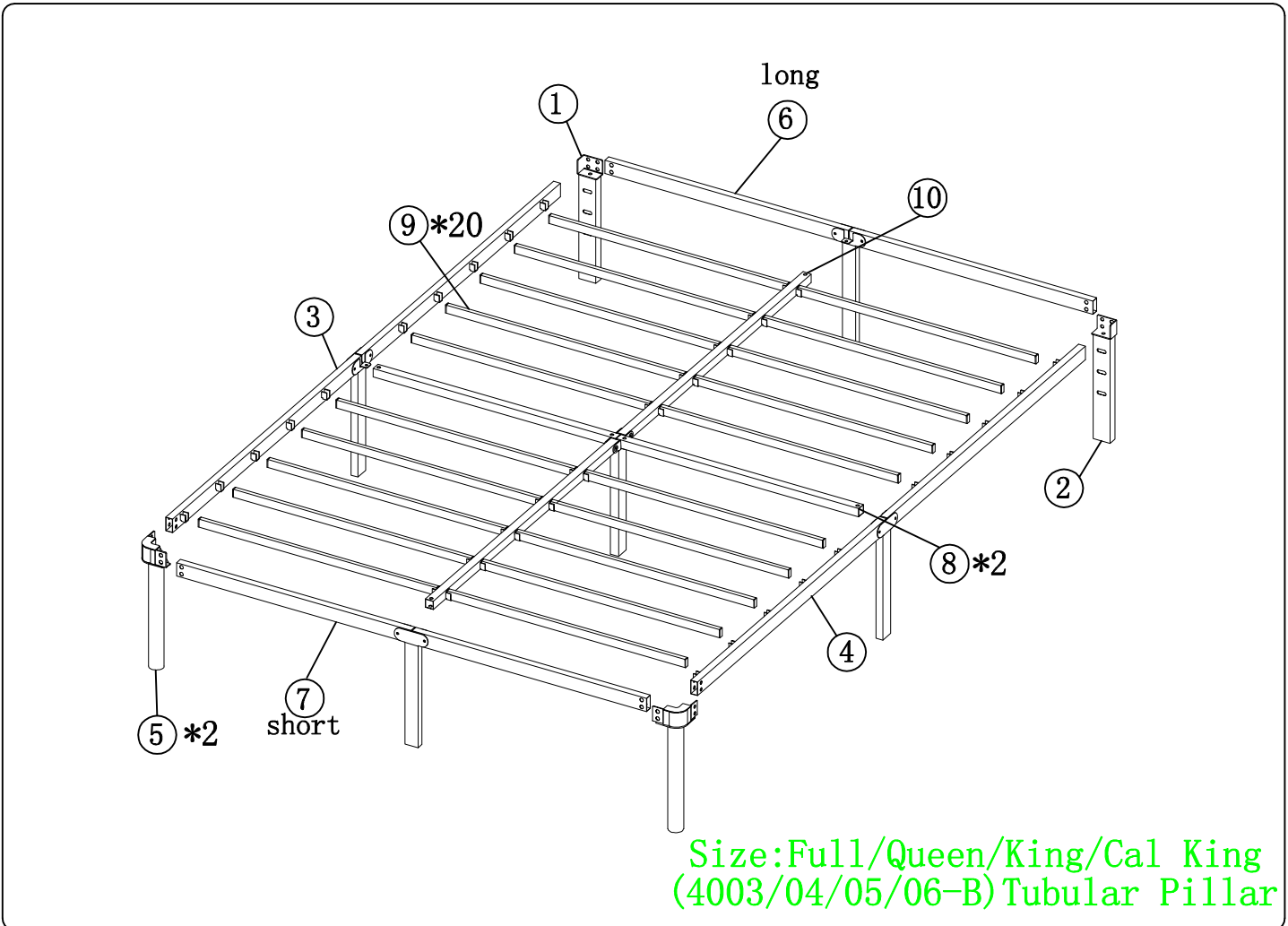
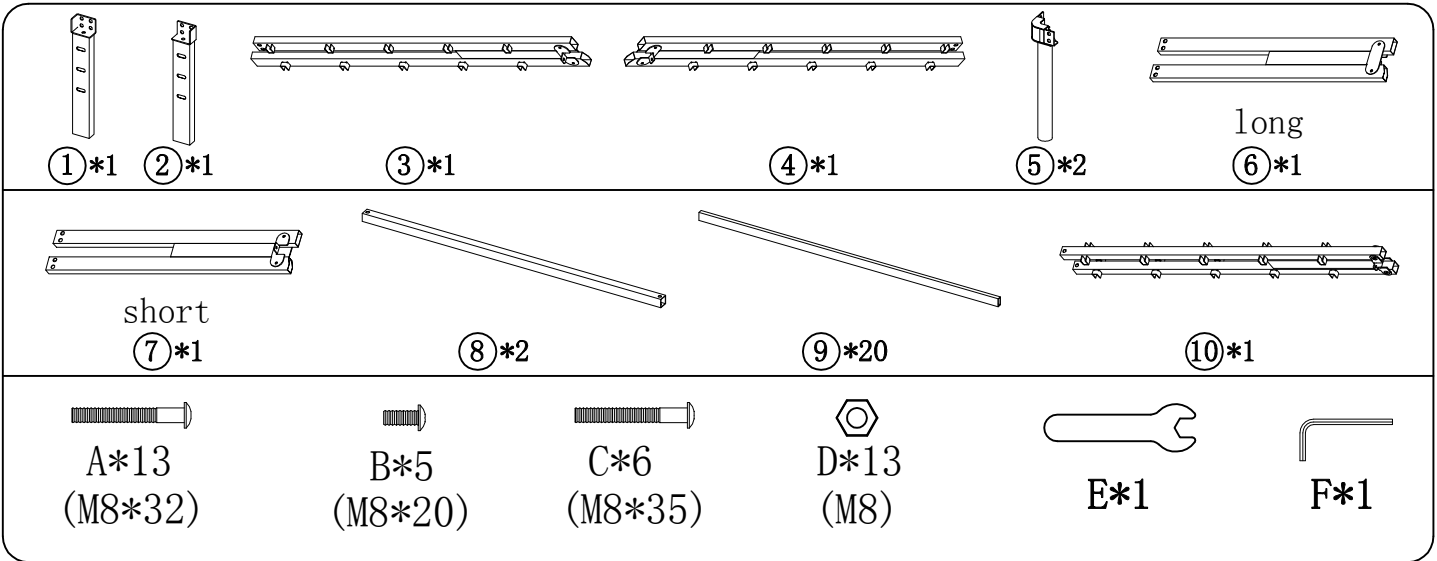
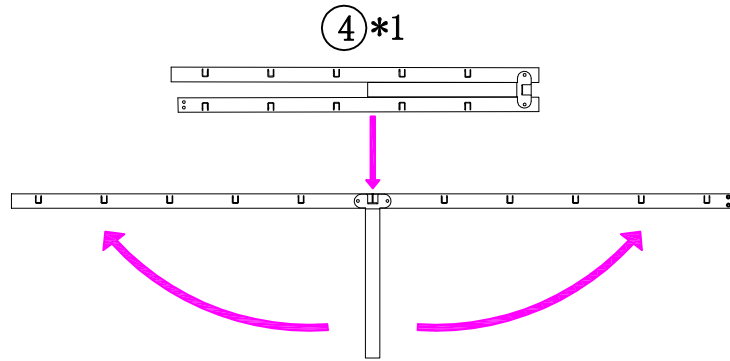
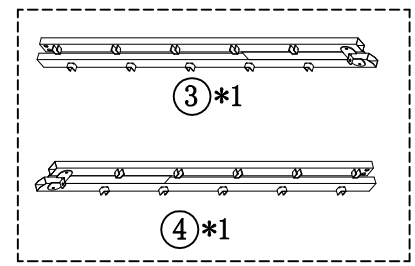
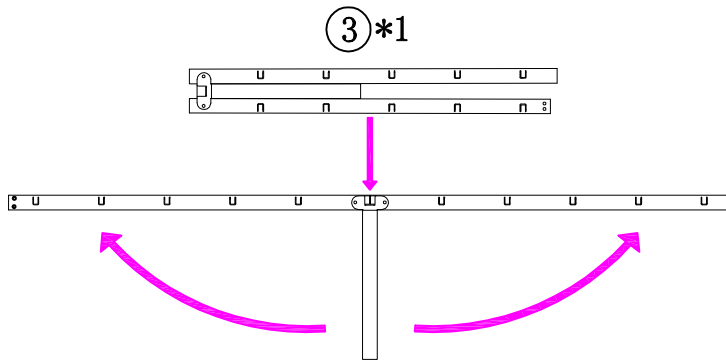


Platform Bed Set-up Instruction

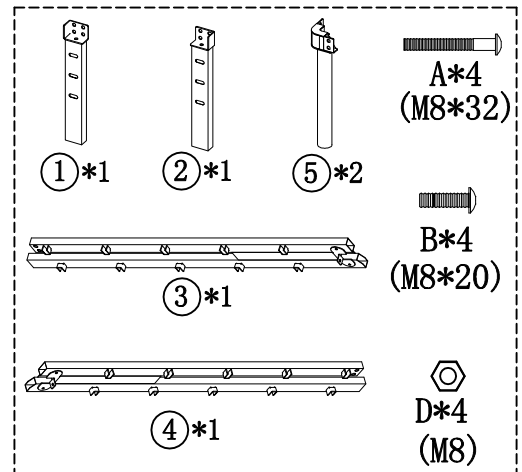
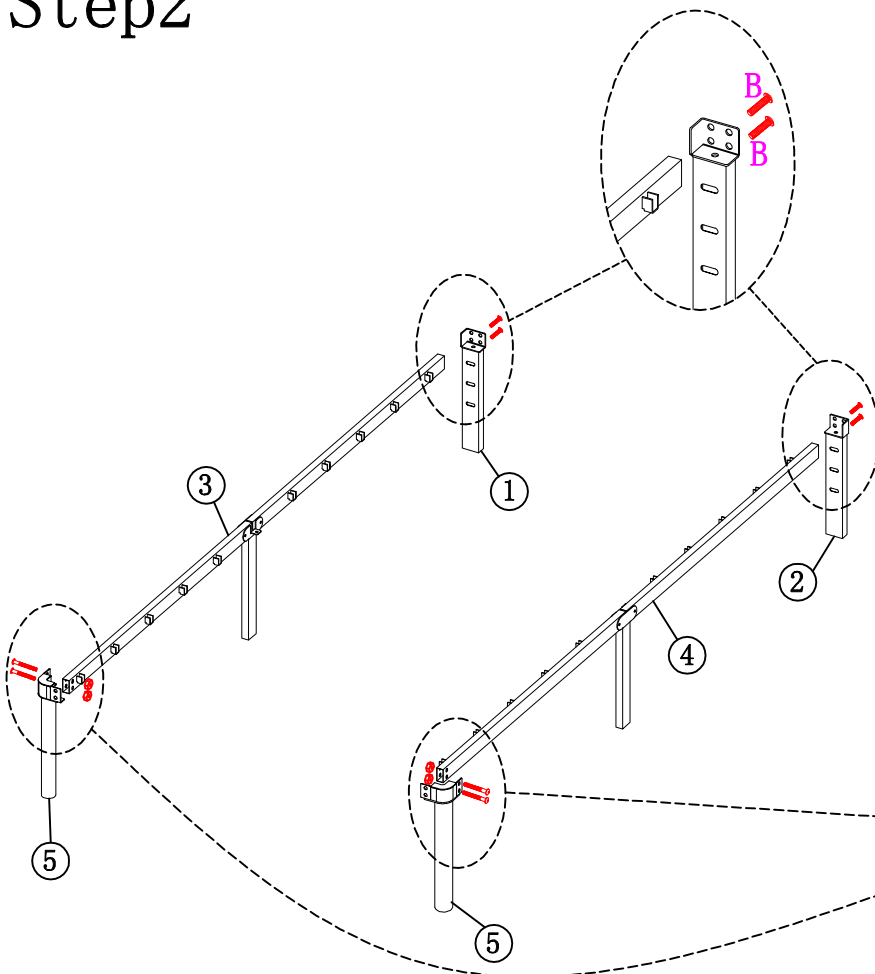
If you have any questions about the product, please don't hesitate to contact us. You can reach us through your order. Thanks for your support!



Step1

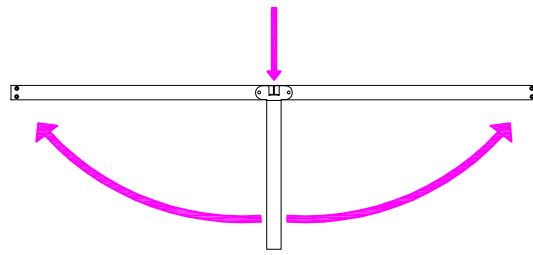


Step2



Step3

⑥*1 long



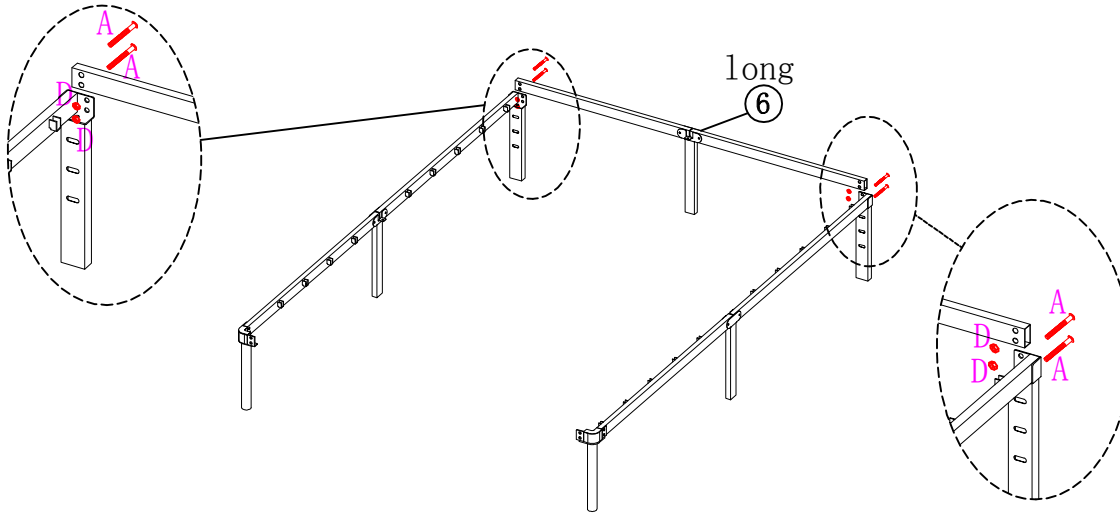
⑥*1 long



A*4
(M8*32)



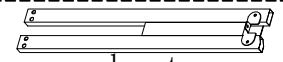
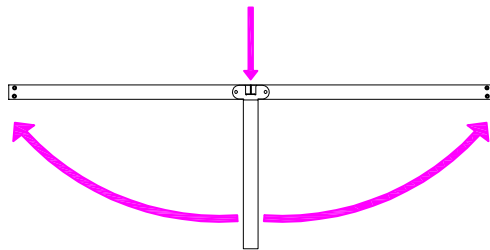
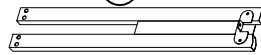
D*4
(M8)



Step4

short

⑦*1



short

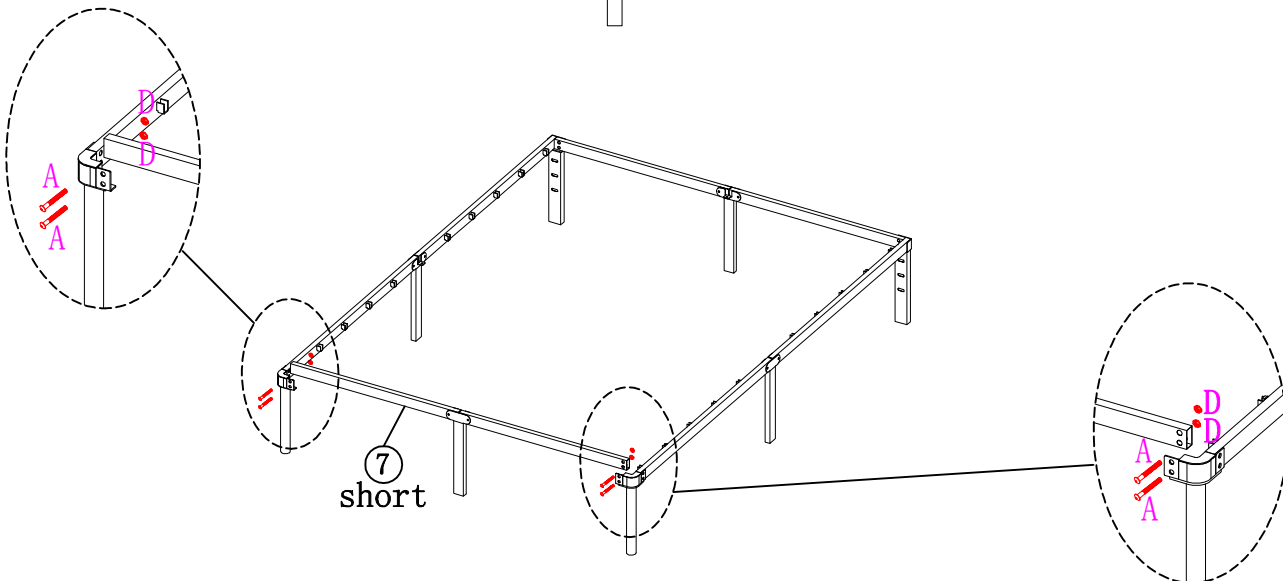
⑦*1



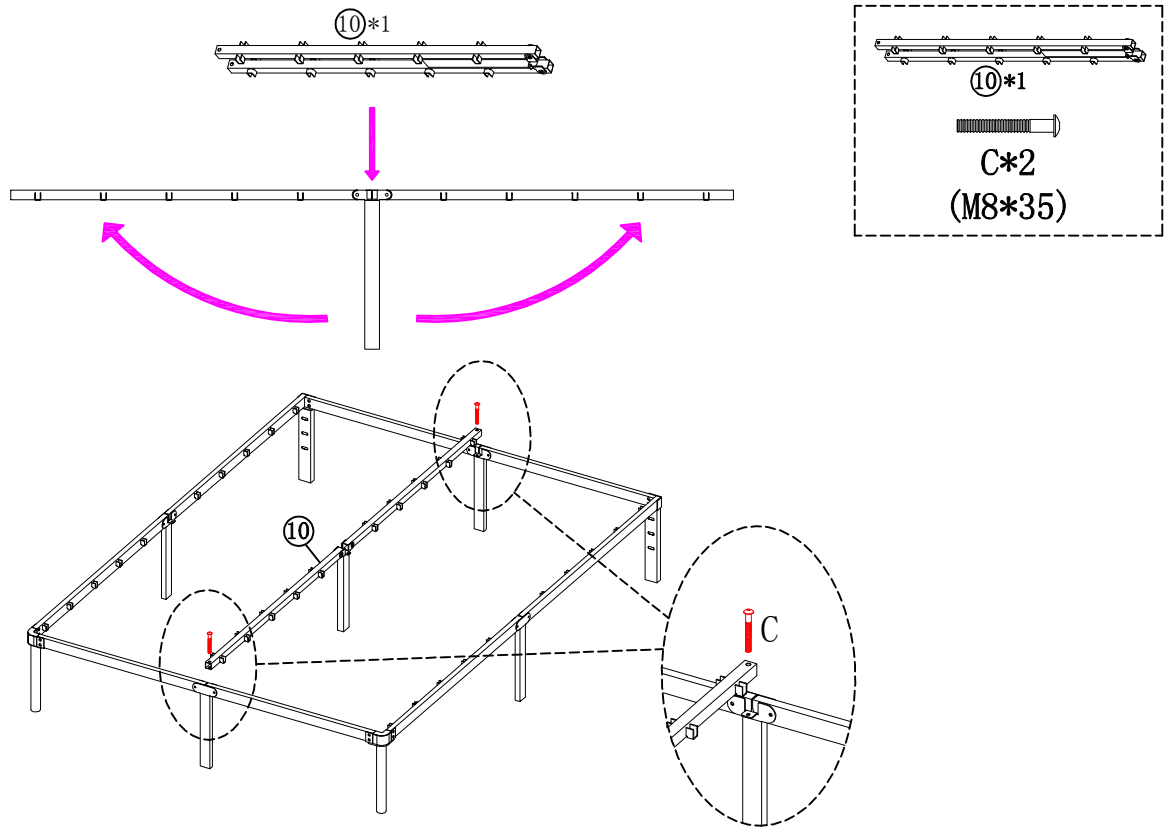
A*4
(M8*32)



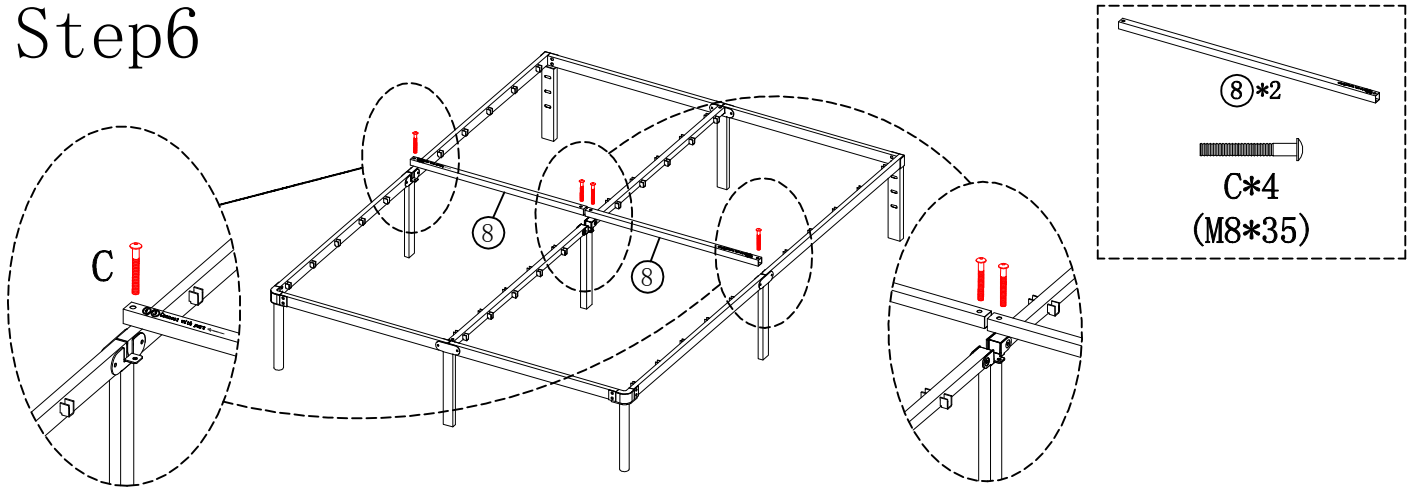
D*4
(M8)



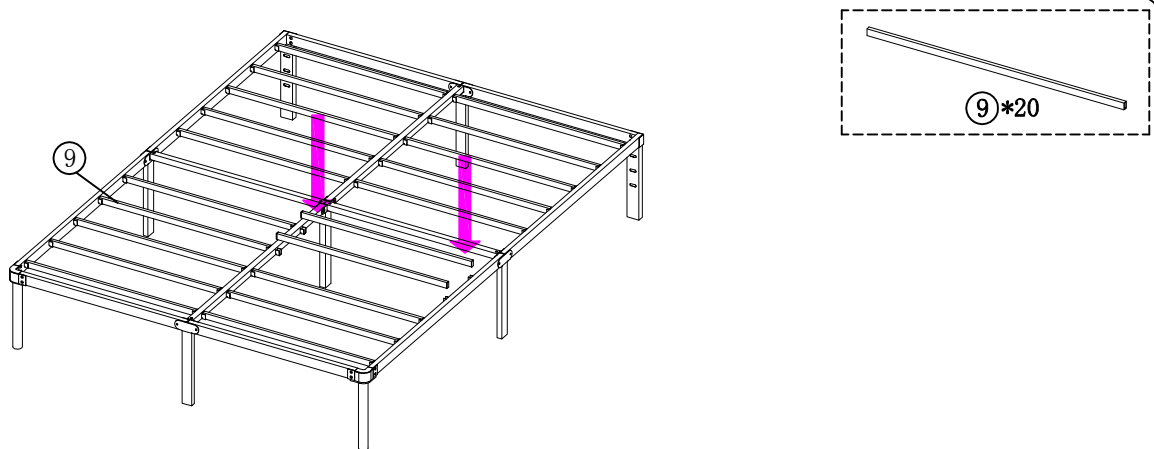
Step5



Step6



Step7



In the last step, please make sure all the screws are tightened.