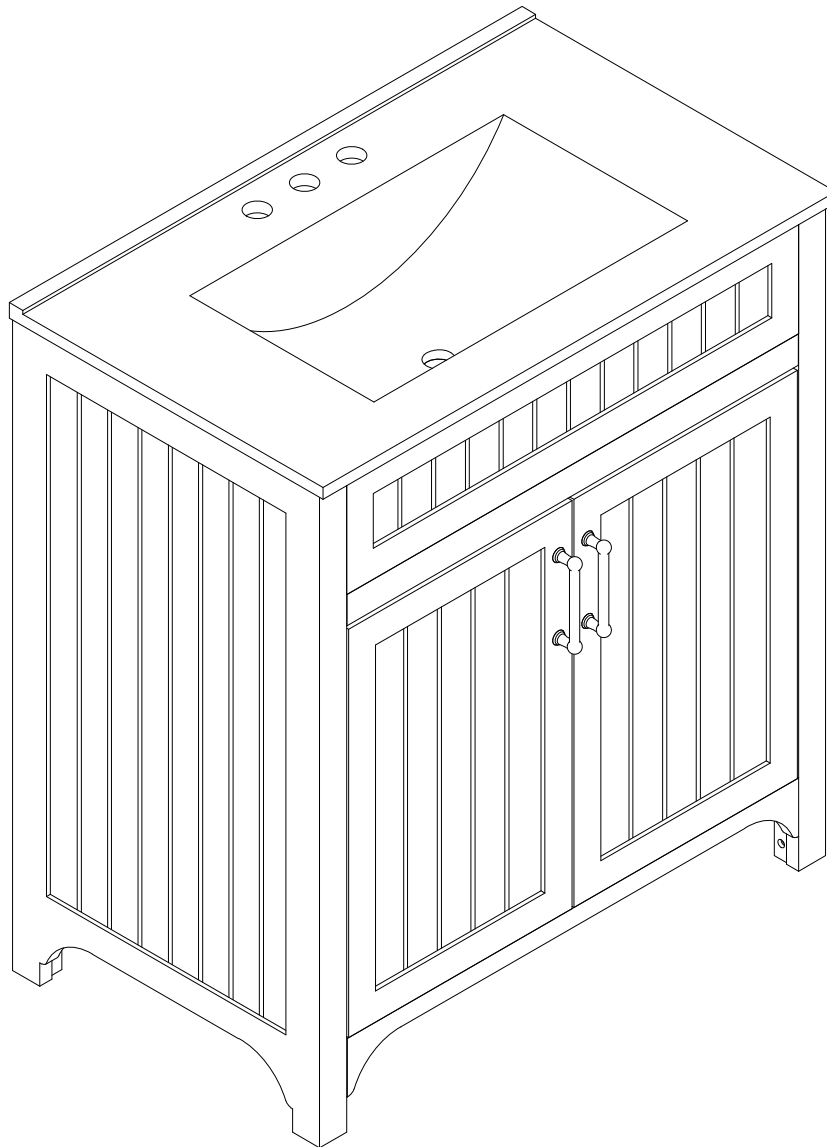


ASSEMBLY INSTRUCTIONS

30" BATHROOM VANITY

N710P194128

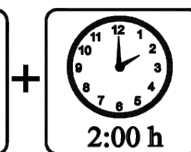
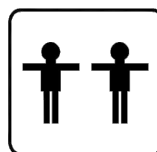
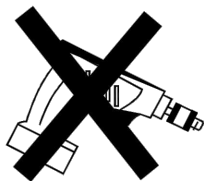


Thank you for purchasing this quality product. Be sure to check all packing material carefully for small parts which may have come loose inside the carton during shipment. Separate, identify and count all parts and hardware.

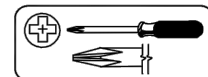
Compare with the parts list to be sure all parts are present.

"DO NOT TIGHTEN SCREWS UNTIL COMPLETELY ASSEMBLED"

*** Use of power tool to assemble this product will invalidate any claim and damage this product making unsafe !!!**
*** Please assemble on a clean soft surface to avoid damage.**



Tools Required



(Not included)



(Not included)

IMPORTANT:

PLEASE READ INSTRUCTION BEFORE STARTING THE ASSEMBLY

PLEASE DO NOT RETURN TO STORE



**Please do not return this product to the retailer!!
We are able to assist you in ANY way**

If you find that you have any trouble with assembly or missing or damaged parts please contact the seller.

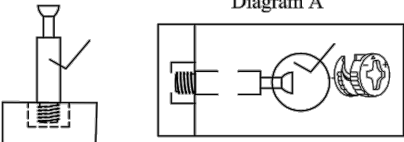
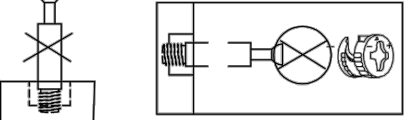
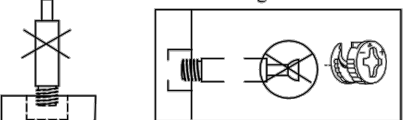
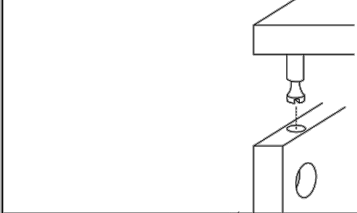
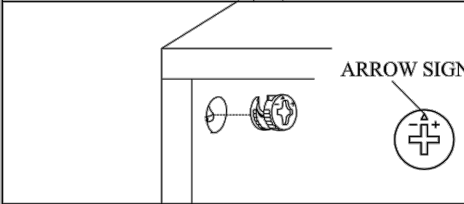
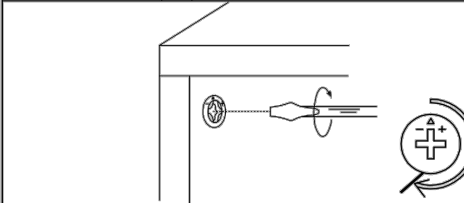
Before Installation

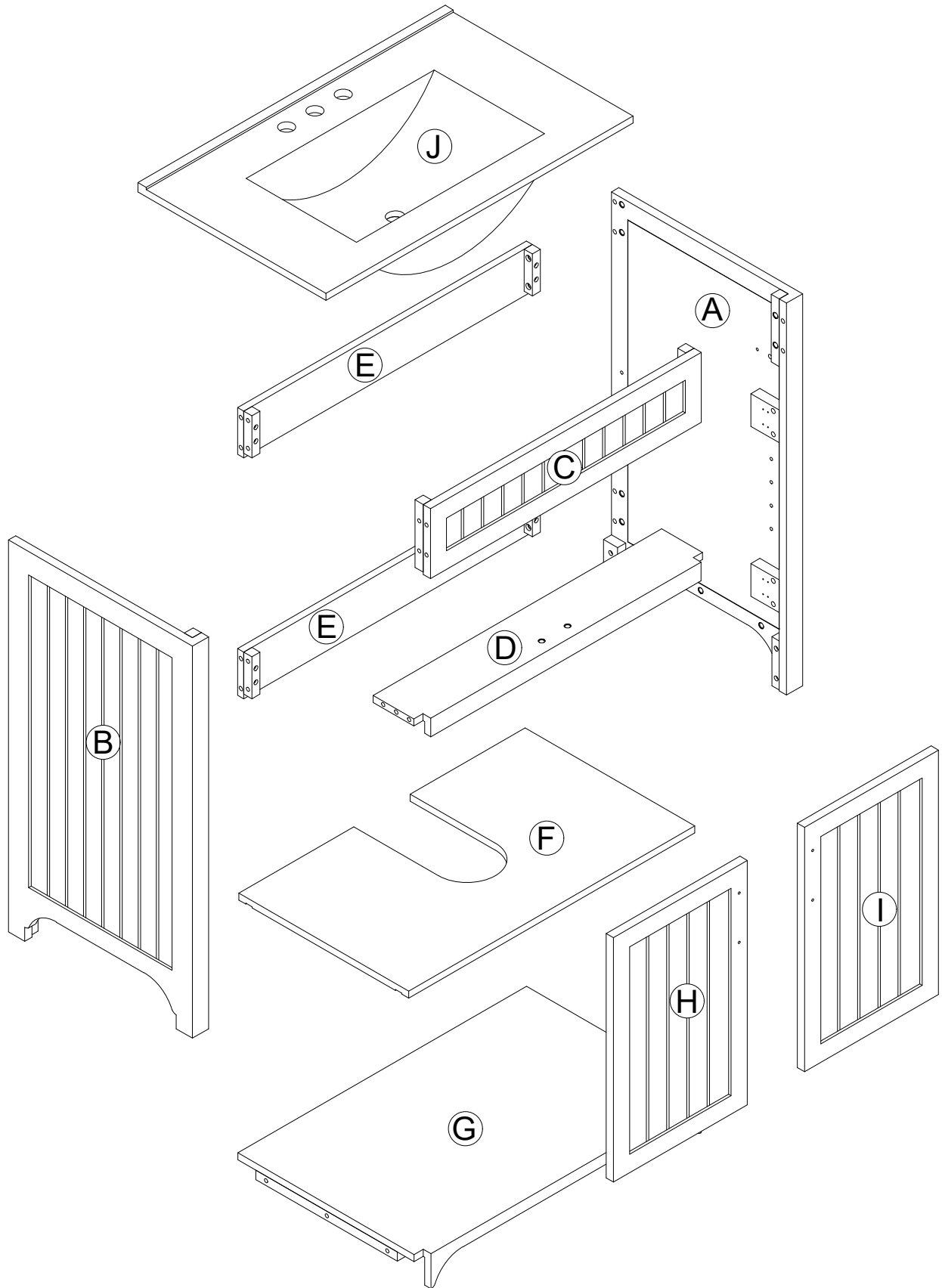
Important – Please read these instructions fully before starting assembly

Thank you for purchasing this quality product. Be sure to check all packing materials carefully for small parts, which may have come loose inside the carton during shipment. Identify and count all items according to the PARTS LIST and/or HARDWARE LIST shown below. Check you have all the components and tools listed on the following pages.

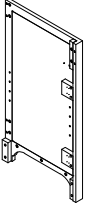
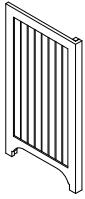
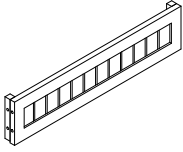
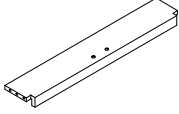
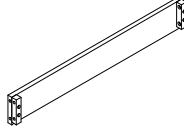
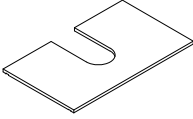
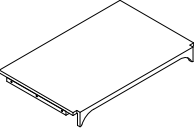
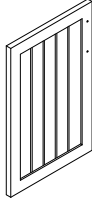
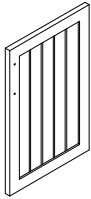
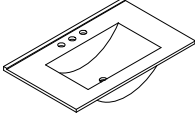
- We recommend that you assemble this product with the assistance of another person; this will make the assembly easier, and will help eliminate damage to the product or injury to persons during assembly.
- Please do not over tighten screws or bolts until the assembly is completed.
- Keep children and animal away from the work area, small parts could choke if swallowed.
- Please put all parts on a non-abrasive floor before assembly, and follow the assembly steps to assemble your newly purchased product correctly and efficiently.

Cam Lock Assembly Instructions

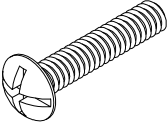

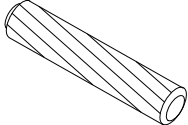
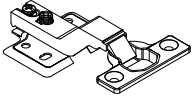

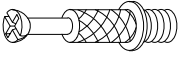
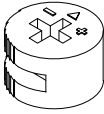
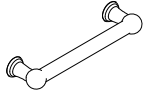
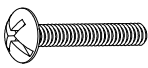
	<p>Diagram A</p> <p>Insert Cam Bolt into hole as shown in diagram A.</p>
	<p>Diagram B</p> <p>Make sure not to insert the Cam Bolt: Too deep as shown in figure B as this will cause the Cam Lock to be misaligned and unable to interlock properly.</p>
	<p>Diagram C</p> <p>Also avoid inserting the Cam Bolt too close to the surface of the hole as shown in figure C, as this will cause the Cam Lock to be too loose, and not interlock properly.</p>
	<p>Connect the panels together.</p>
	<p>ARROW SIGN</p> <p>Insert the Cam Lock so the side opening fits over the head of the Cam Bolt.</p>
	<p>To tighten the Cam Lock, turn it clockwise on half a turn with a flat screwdriver. <i>*Do not use an automatic screwdriver as it may bend or break if too much power is imposed.</i></p>




PRODUCT PARTS:

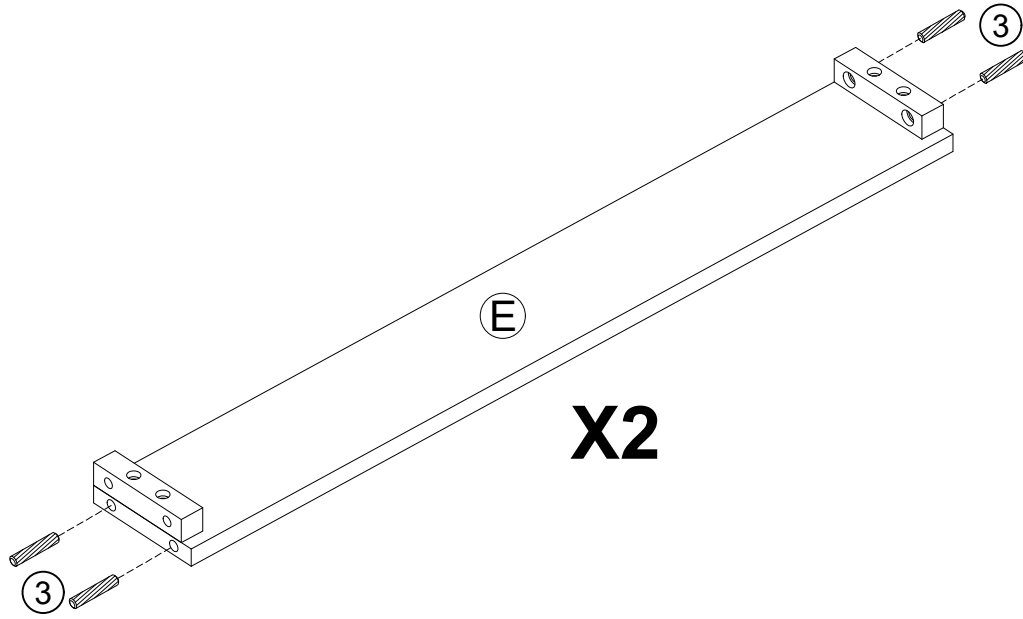
A	B	C	D	E	F
					
1PC	1PC	1PC	1PC	2 PCS	1PC
G	H	I	J		
					
1PC	1PC	1PC	1PC		

HARDWARE:


①	②	③	④	⑤	⑥
					
1/4"x25mm		Ø8x30mm		Ø4x15mm	Ø6x33mm
20+2 PCS	4 PCS	14+1 PCS	4 PCS	24+2 PCS	4 PCS
⑦	⑧	⑨			
					
Ø15x9mm		5/32"x18mm			
4 PCS	2 PCS	4 PCS			

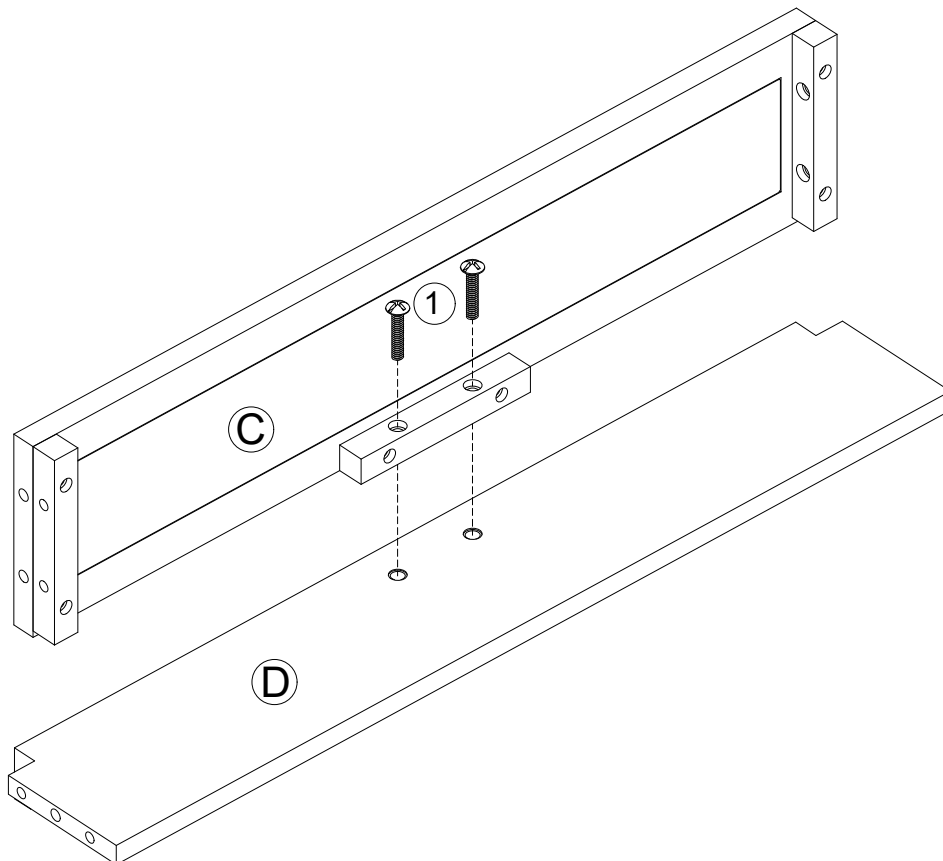
STEP 1

③  8pcs
Ø8x30mm

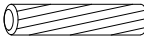


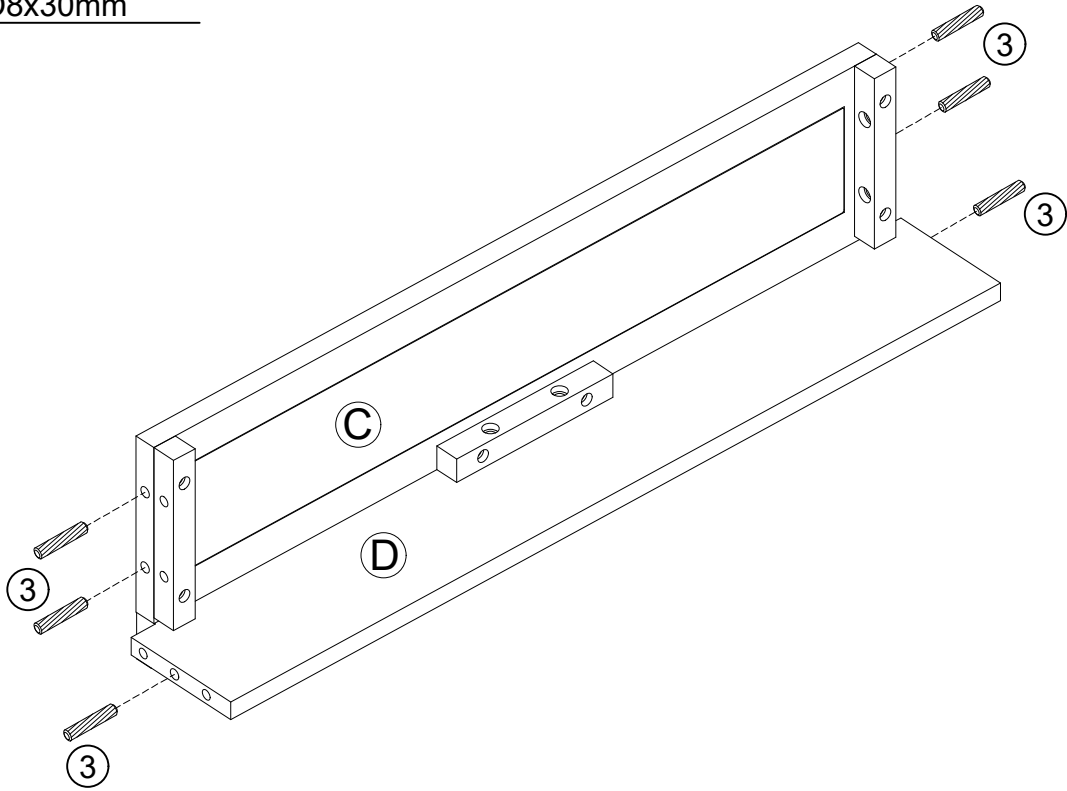
STEP 2

①  2pcs
1/4"x25mm

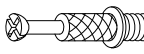


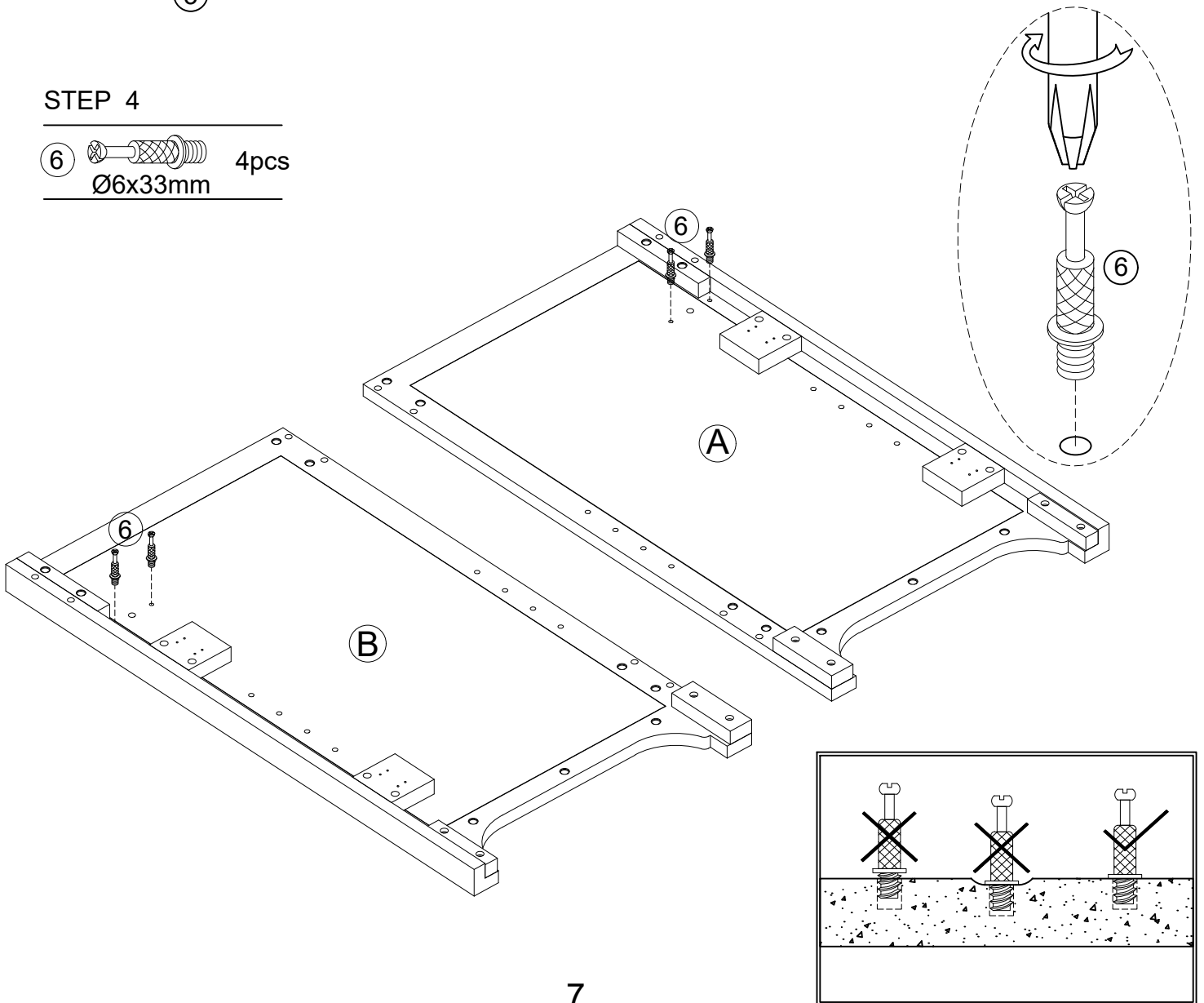
STEP 3

③  6pcs
Ø8x30mm





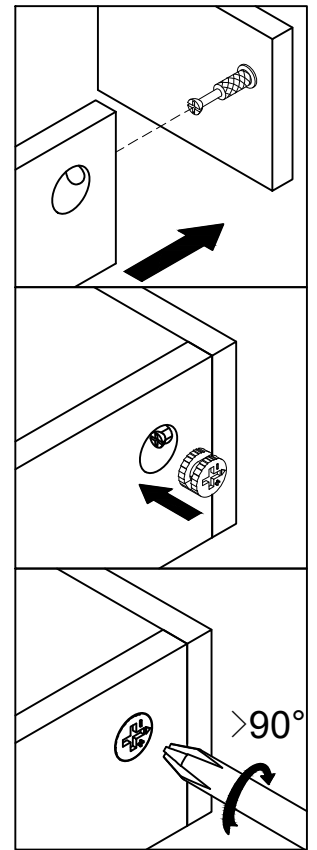
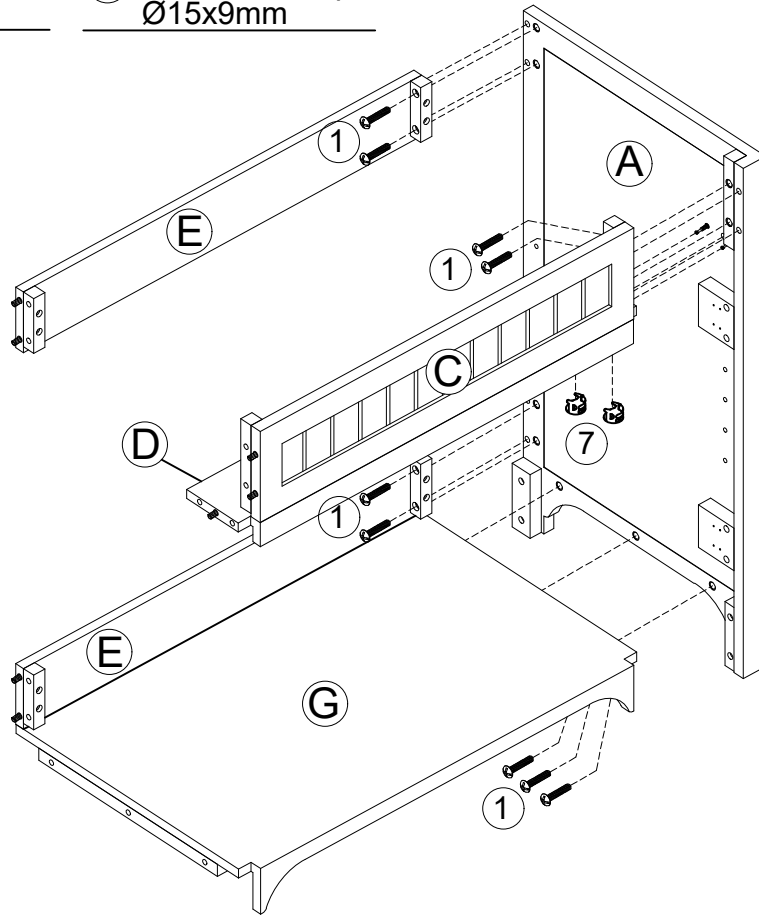
STEP 4

⑥  4pcs
Ø6x33mm





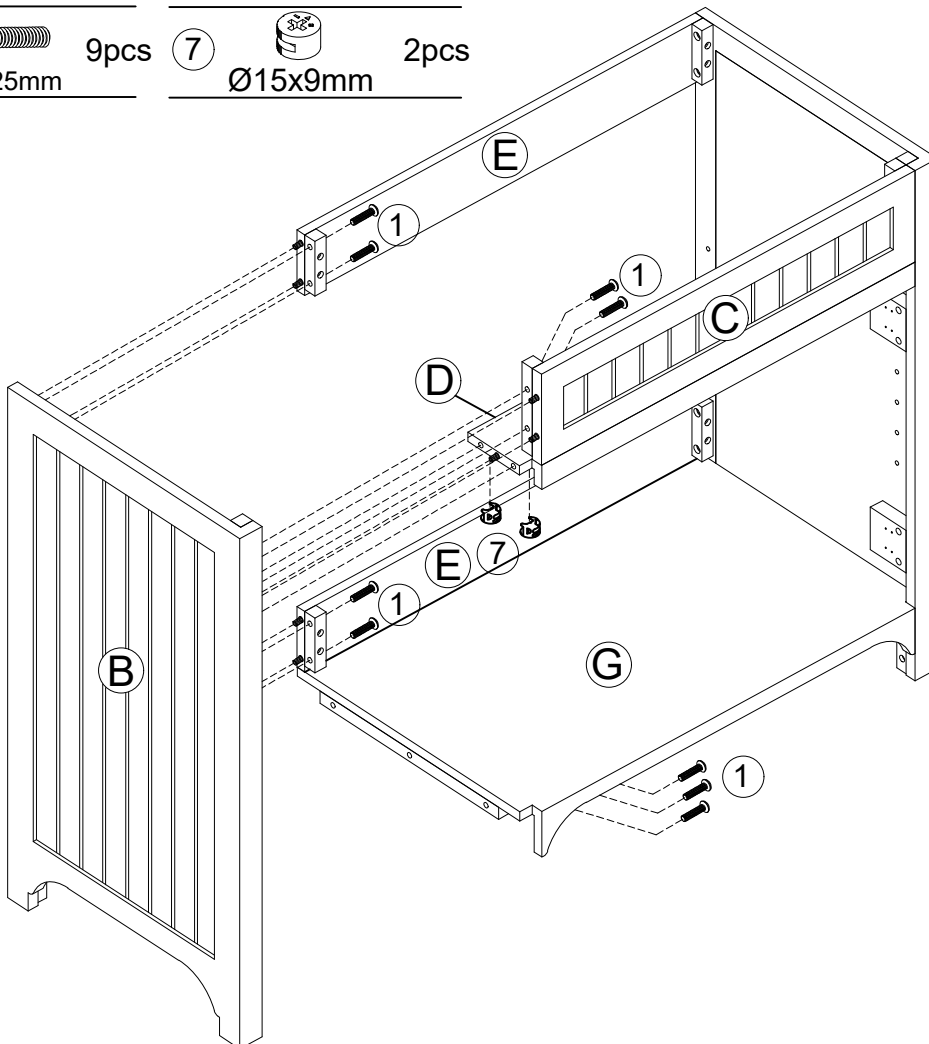
STEP 5

- ①  9pcs 1/4"x25mm
⑦  2pcs Ø15x9mm



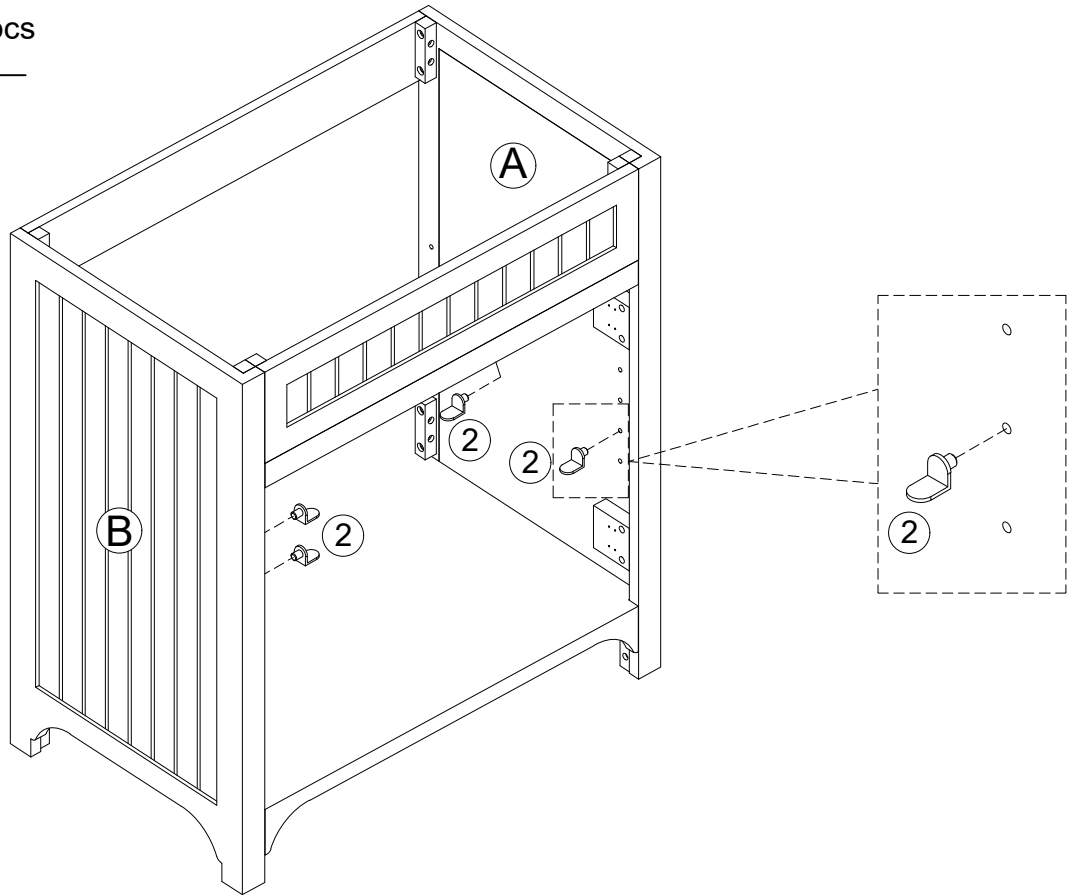
STEP 6

- ①  9pcs 1/4"x25mm
⑦  2pcs Ø15x9mm

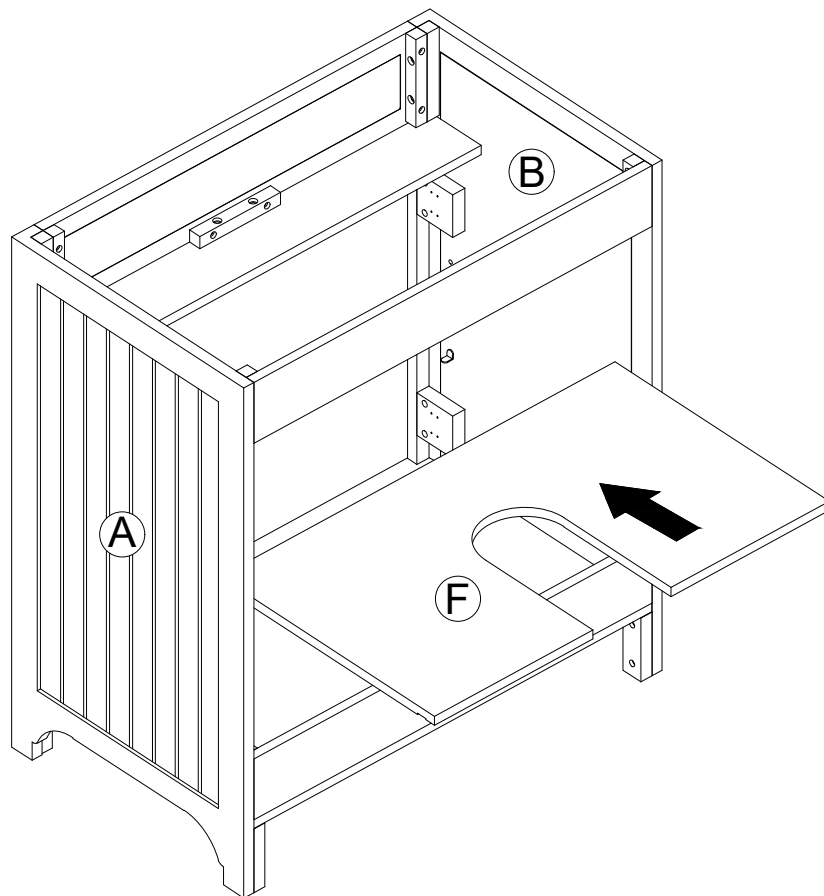


STEP 7



② 4pcs

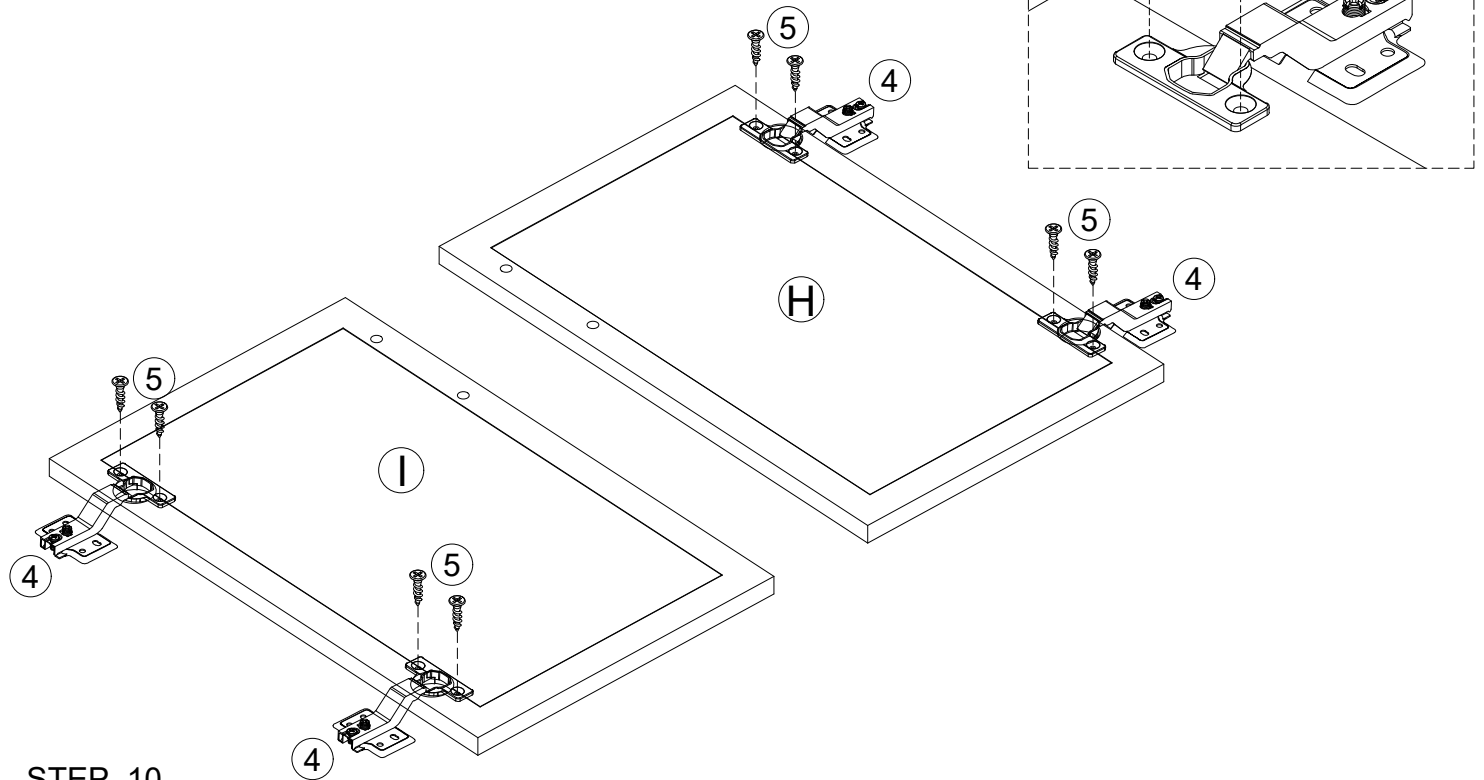


STEP 8



STEP 9

- ④  4pcs
- ⑤  Ø4x15mm 8pcs

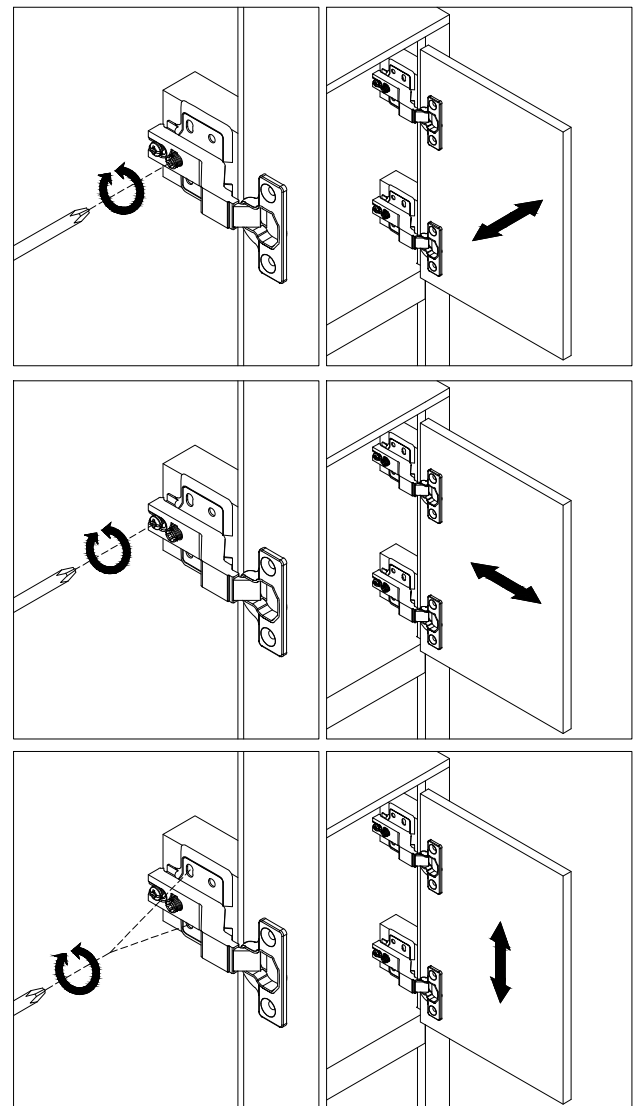
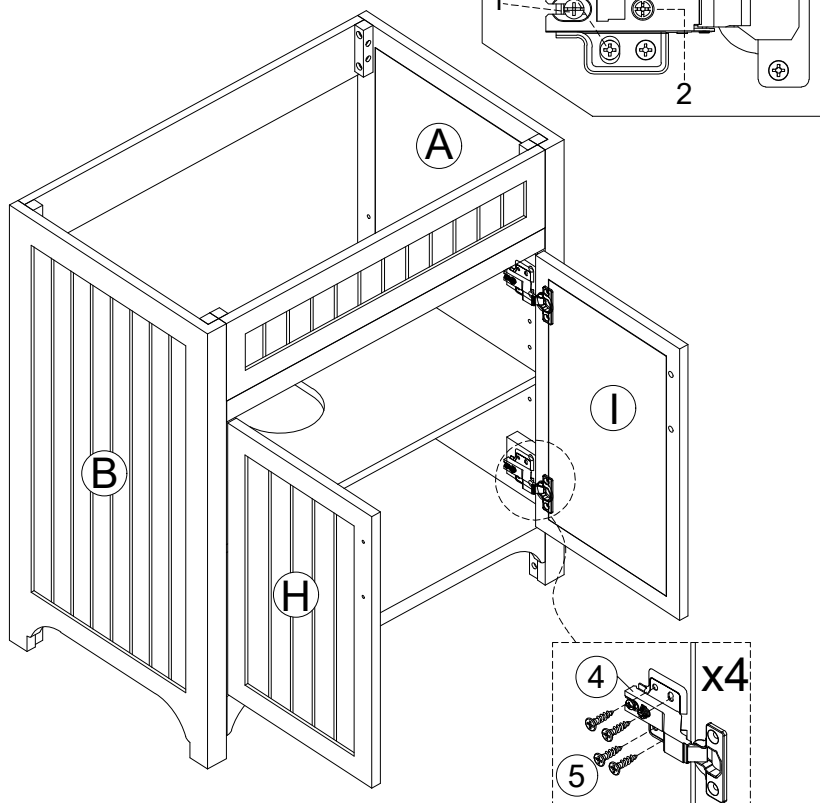
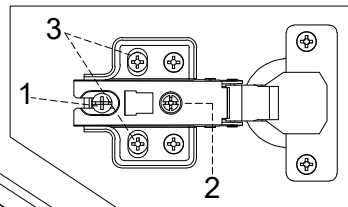


STEP 10

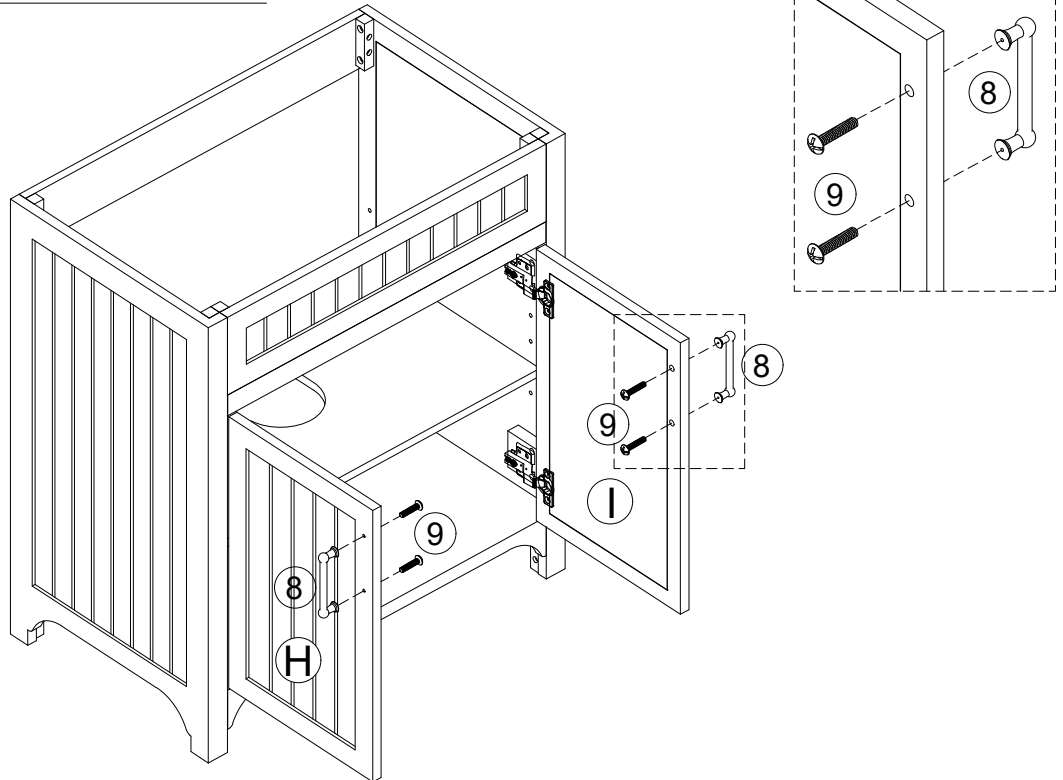
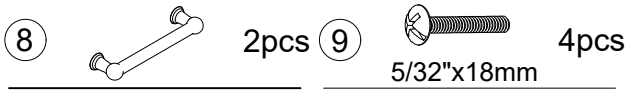
- ⑤  Ø4x15mm 16pcs

Three-way adjustable hinge for perfectly aligned doors

1. TO ADJUST DOOR FORWARD OR BACKWARD.
2. TO ADJUST DOOR TO RIGHT OR TO LEFT.
3. TO ADJUST DOOR UP OR DOWN.



STEP 11



STEP 12

