

## Energy 60

### Features

- Bathroom Sink
- Made of Ceramic
- Available in 3 Finishes: Glossy White, Matte White, and Matte Black
- With Overflow
- Wall Mount or Countertop (Vessel) Installation
- Available with One, Three (4" or 8" Spread), or No Faucet Hole
- Available with Soap Dispenser Hole Option to the Left or Right of Faucet Hole



### Related Items:

- WSBC 53991 | Push Waste Drain
- WSBC 53922 | Decorative Trap

### Finishes:

-  Glossy White
-  Matte Black
-  Matte White


### SKU# | Options:

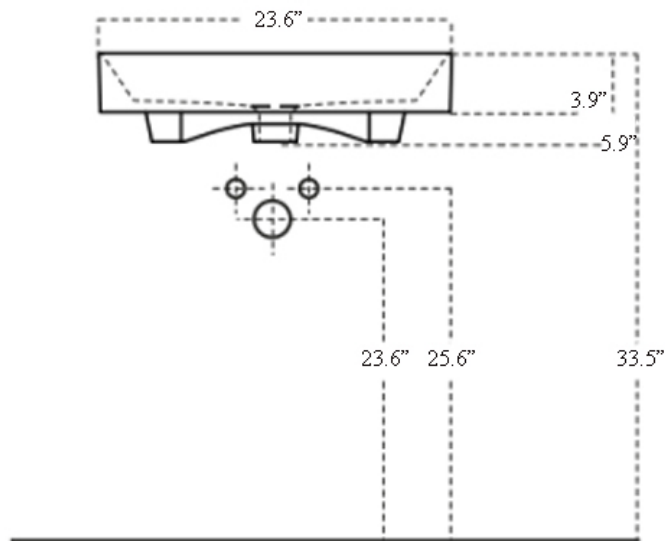
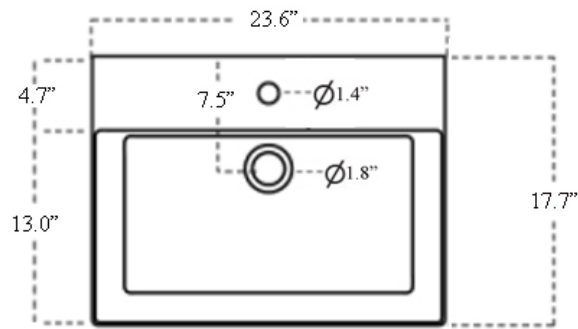
- Energy 60.00 WG | No Faucet Hole, Glossy White
- Energy 60.01 WG | One Faucet Hole, Glossy White
- Energy 60.03-4 WG | Three Faucet Holes 4" Spread, Glossy White
- Energy 60.03-8 WG | Three Faucet Holes 8" Spread, Glossy White
- Energy 60.00 BM | No Faucet Hole, Matte Black
- Energy 60.01 BM | One Faucet Hole, Matte Black
- Energy 60.03-4 BM | Three Faucet Holes 4" Spread, Matte Black
- Energy 60.03-8 BM | Three Faucet Holes 8" Spread, Matte Black
- Energy 60.00 WM | No Faucet Hole, Matte White
- Energy 60.01 WM | One Faucet Hole, Matte White
- Energy 60.03-4 WM | Three Faucet Holes 4" Spread, Matte White
- Energy 60.03-8 WM | Three Faucet Holes 8" Spread, Matte White
- Energy 60.02L | Left Soap Dispenser Hole (Specify Distance)
- Energy 60.02R | Right Soap Dispenser Hole (Specify Distance)

### Codes & Standards:

- ADA Compliant

\* WS Bath Collections reserves the right to revise dimensions or information on this sheet without notice

<b>Collection  </b> Energy	<b>Model  </b> Energy 60	Dimensions Metric <i>1 inch = 2.54 cm</i> <i>1 inch = 25.4 mm</i>	 1051 Lea Drive - Collegeville, PA 19426 Tel. 215 513 9400 - Fax 610 831 0215 <a href="http://www.ws bathcollections.com">www.ws bathcollections.com</a> - <a href="mailto:info@ws bathcollectins.com">info@ws bathcollectins.com</a>
-------------------------------	-----------------------------	---	---



Collection  
Energy

Model |  
Energy 60

Dimensions Metric  
1 inch = 2.54 cm  
1 inch = 25.4 mm

**WS**<sup>®</sup>  
BATH  
COLLECTIONS

1051 Lea Drive - Collegeville, PA 19426  
Tel. 215 513 9400 - Fax 610 831 0215  
[www.wsbathcollections.com](http://www.wsbathcollections.com) - [info@wsbathcollections.com](mailto:info@wsbathcollections.com)

We recommend the following items that work with your sink.

Energy 60

## TRAPS



WSBC 53922  
*Our best seller*

 Polished Chrome  
WSBC 53922.29

 Matte Black  
WSBC 53922.22



WSBC 5392

 Polished Chrome  
WSBC 5392.29



WSBC 53925

 Polished Chrome  
WSBC 53925.29



WSBC 53921  
*Space saving*

 Polished Chrome  
WSBC 53921.29

 Matte Black  
WSBC 53921.22

## DRAINS



WSBC 53991  
Push waste drain (click clack)  
*with overflow*

 Polished Chrome  
WSBC 53991.29

 Glossy White  
WSBC 53991.09

 Glossy Black  
WSBC 53991.18

 Matte White  
WSBC 53991.26

 Matte Black  
WSBC 53991.22

## MOUNTING HARDWARE

### Wall-mount installation

### Vessel/ countertop installation



Bolts



Silicone (optional)

Collection  
Energy

Model |  
Energy 60

Dimensions Metric  
*1 inch = 2.54 cm*  
*1 inch = 25.4 mm*

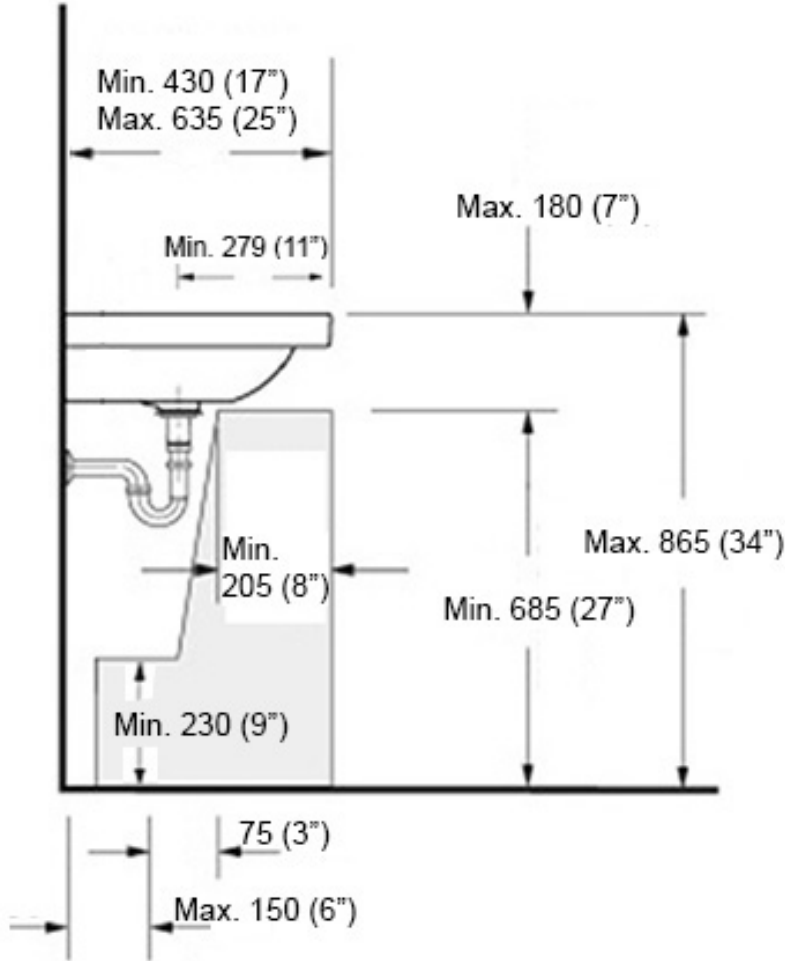
**WS**<sup>®</sup>

**BATH  
COLLECTIONS**


1051 Lea Drive - Collegeville, PA 19426  
Tel. 215 513 9400 - Fax 610 831 0215

[www.ws bathcollections.com](http://www.ws bathcollections.com) - [info@ws bathcollections.com](mailto:info@ws bathcollections.com)

**Recommended ADA Installation**



Note: ADA Compliant when installed in accordance with ADA guidelines

<p><b>Collection</b> Energy</p>	<p><b>Model  </b> Energy 60</p>	<p>Dimensions Metric 1 inch = 2.54 cm 1 inch = 25.4 mm</p>	 <p>1051 Lea Drive - Collegeville, PA 19426 Tel. 215 513 9400 - Fax 610 831 0215 <a href="http://www.ws bathcollections.com">www.ws bathcollections.com</a> - <a href="mailto:info@ws bathcollections.com">info@ws bathcollections.com</a></p>
-------------------------------------	-------------------------------------	--	---