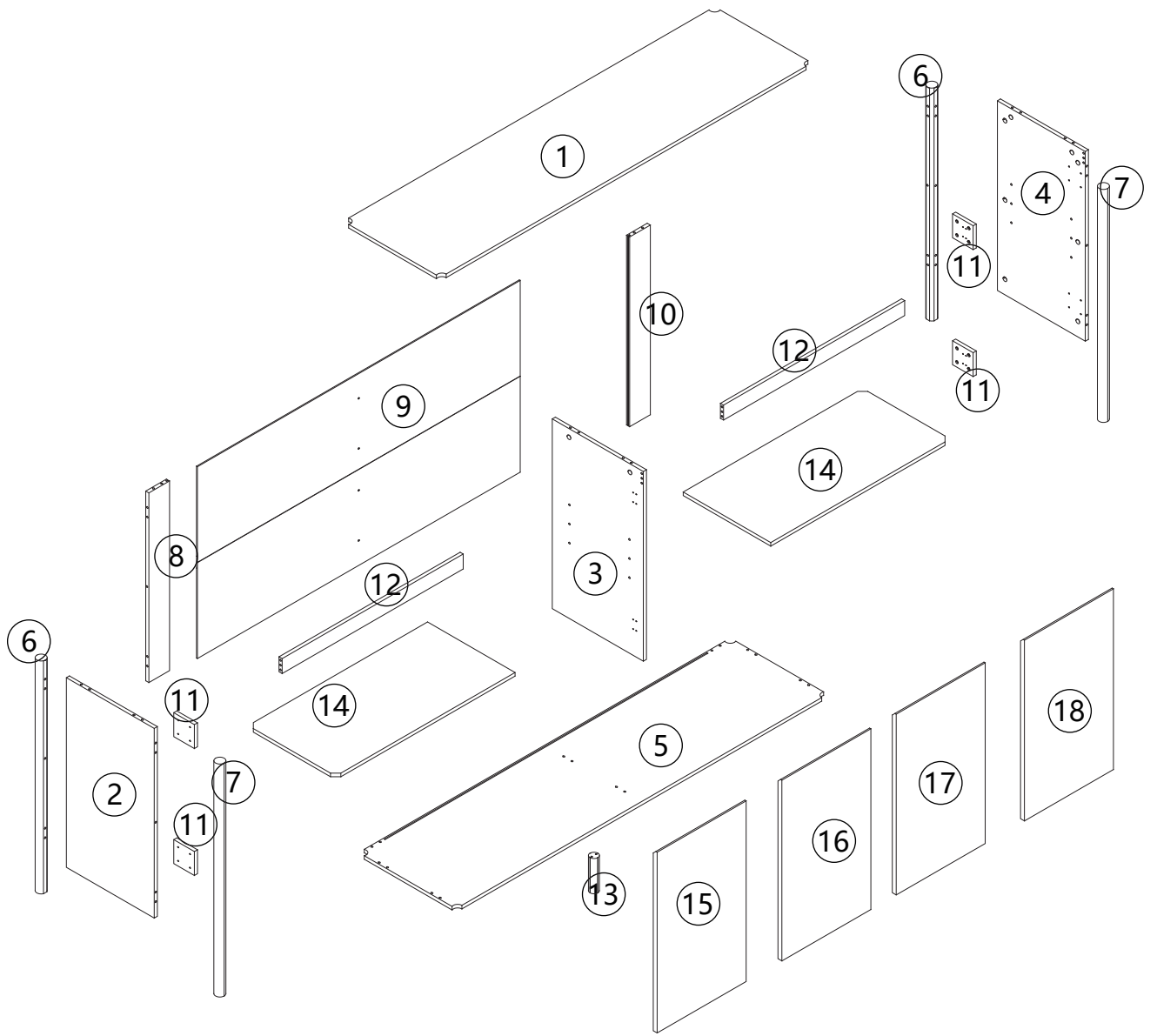









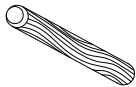



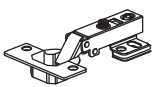



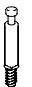


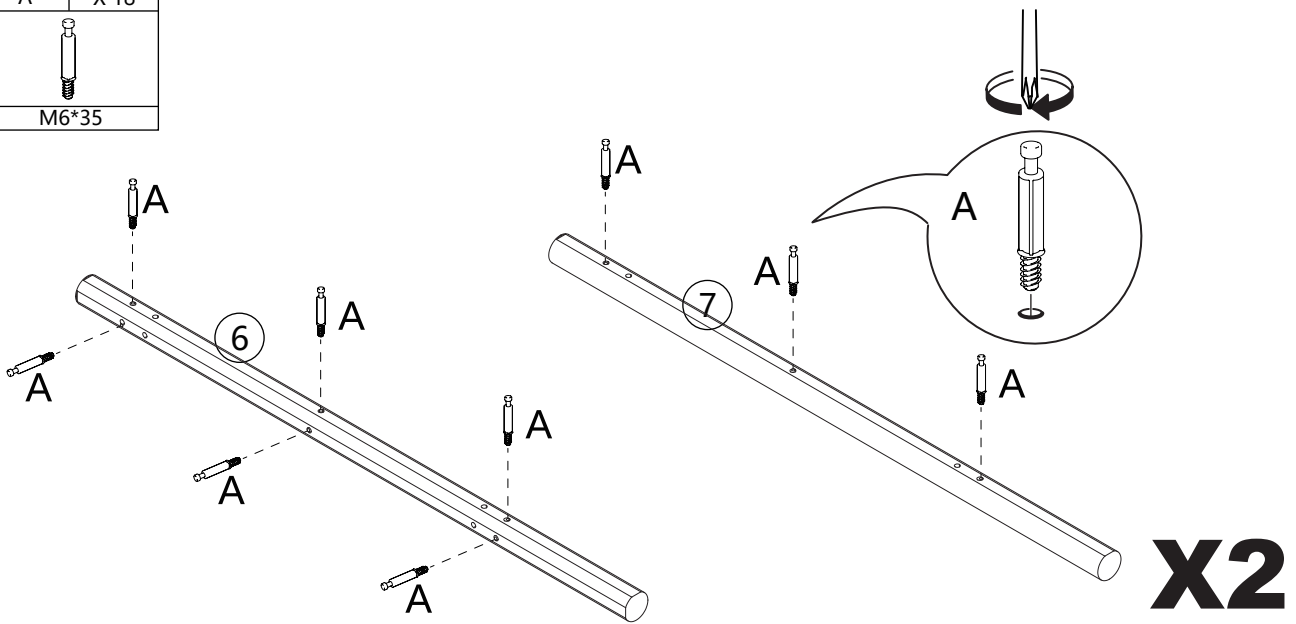
# Installation instruction



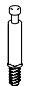


A	X 32	B	X 32	C	X 28	D	X 14	E	X 8	F	X 6	G	X 6
													
M6*35	Φ15*10	Φ8*30	M4*35		M3*14								
H	X 20	I	X 48	J	X 2	K	X 1	L	X 6	M	X 1	O	X 4
													
M4*20	M3.5*14	Φ8*50		M4*12									
P	X 4	Q	X 2	R	X 4								
													
		Φ25*3											

# STEP1

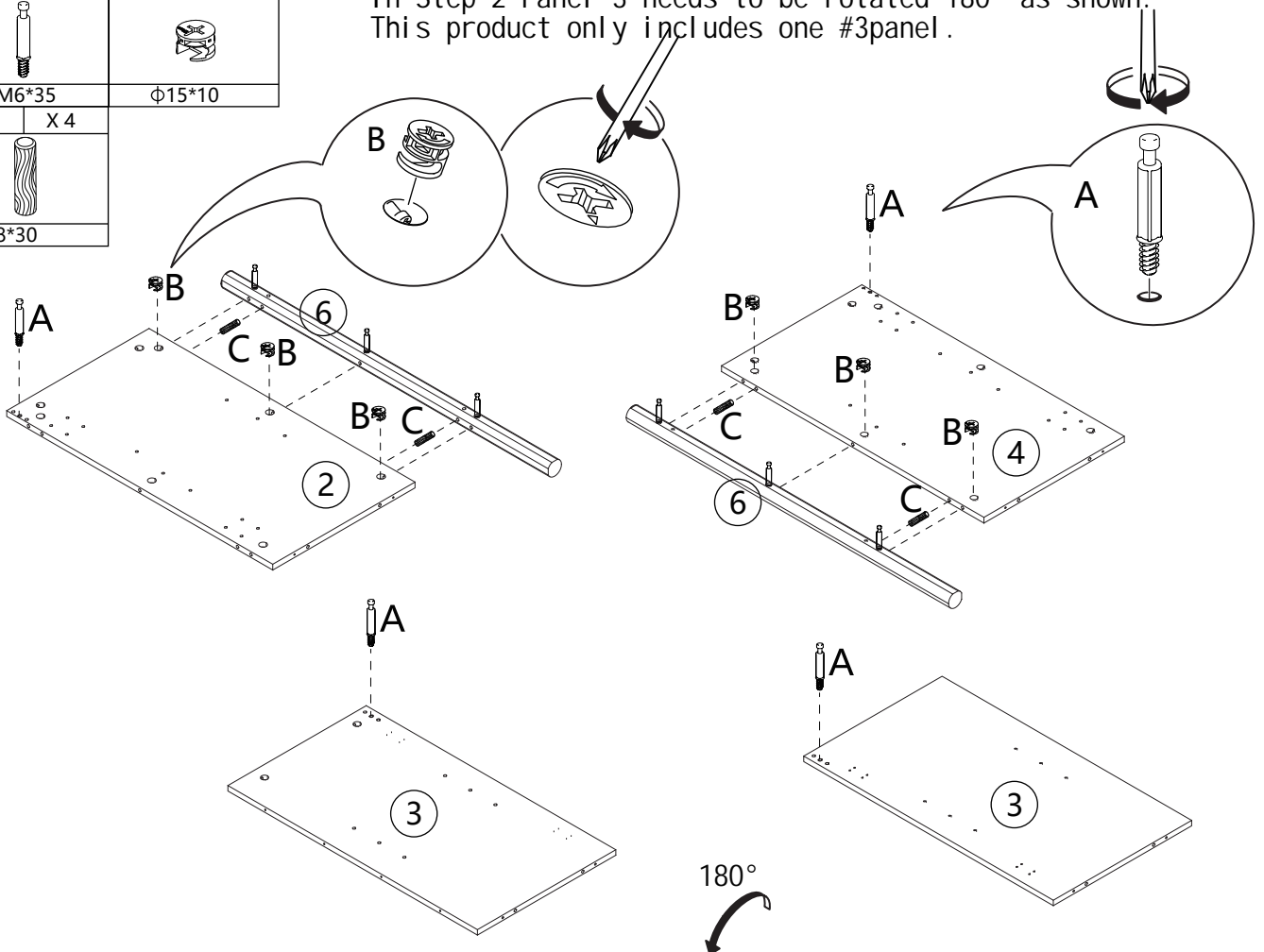
A	X 18
	
M6*35	






# STEP2

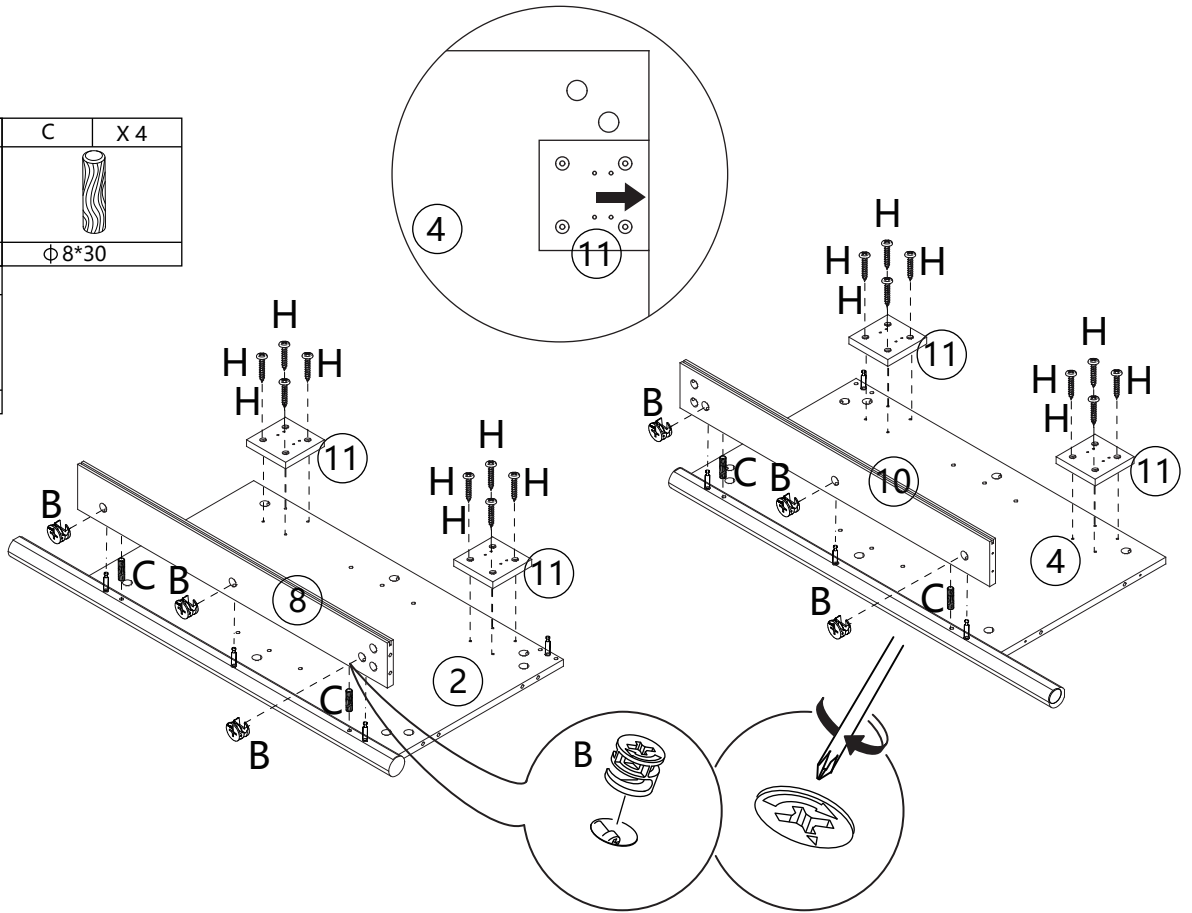
A	X 4	B	X 6
			
M6*35		Φ15*10	
C	X 4		
			
Φ8*30			

Please note:  
In Step 2 Panel 3 needs to be rotated 180° as shown.  
This product only includes one #3panel.





# STEP3

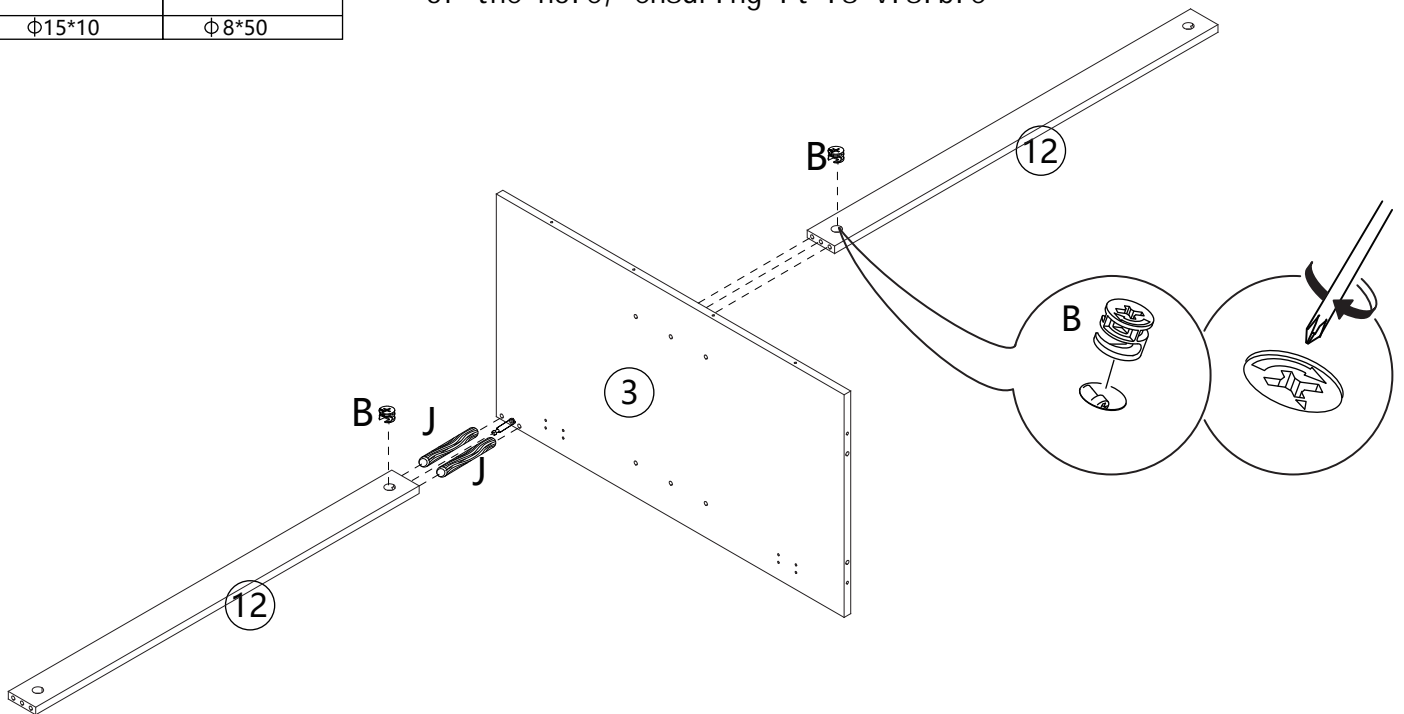
B	X 6	C	X 4
			
$\phi 15 \times 10$		$\phi 8 \times 30$	
H	X 16		
			
M4*20			





# STEP4

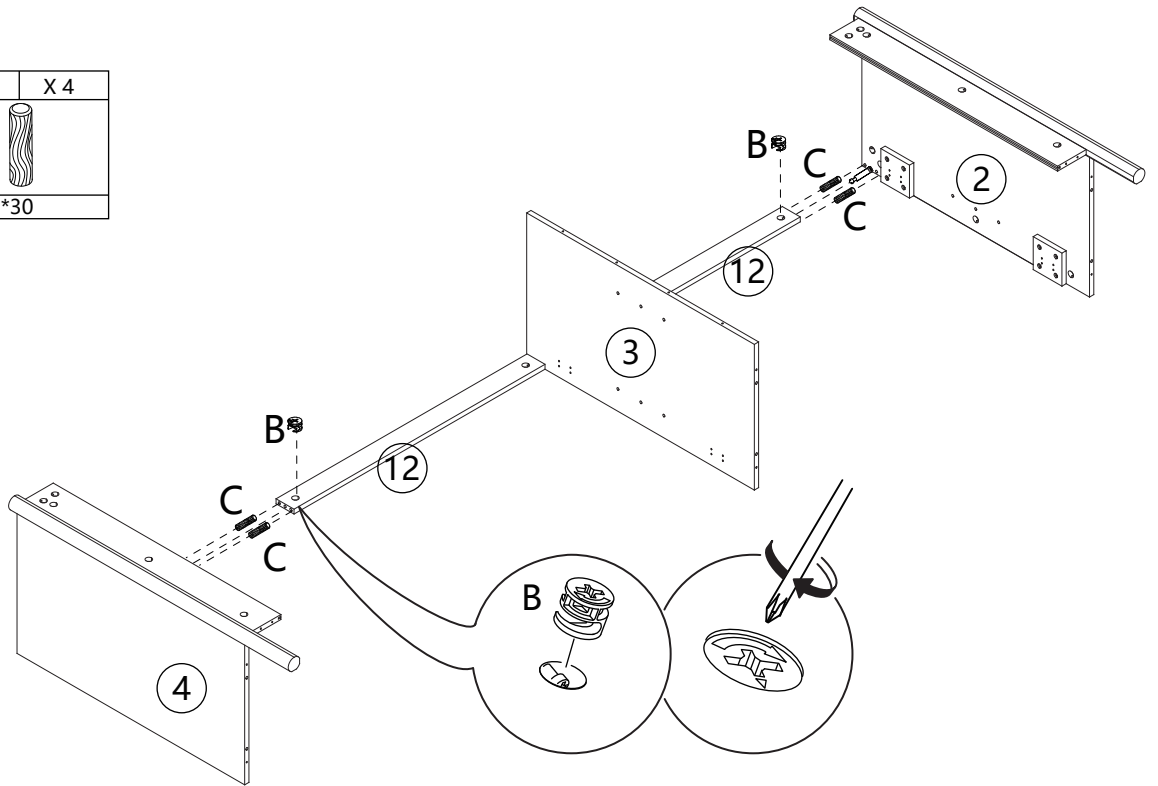
B	X 2	J	X 2
			
$\phi 15 \times 10$		$\phi 8 \times 50$	

For part #3, insert the J piece into the middle position of the hole, ensuring it is visible

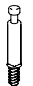


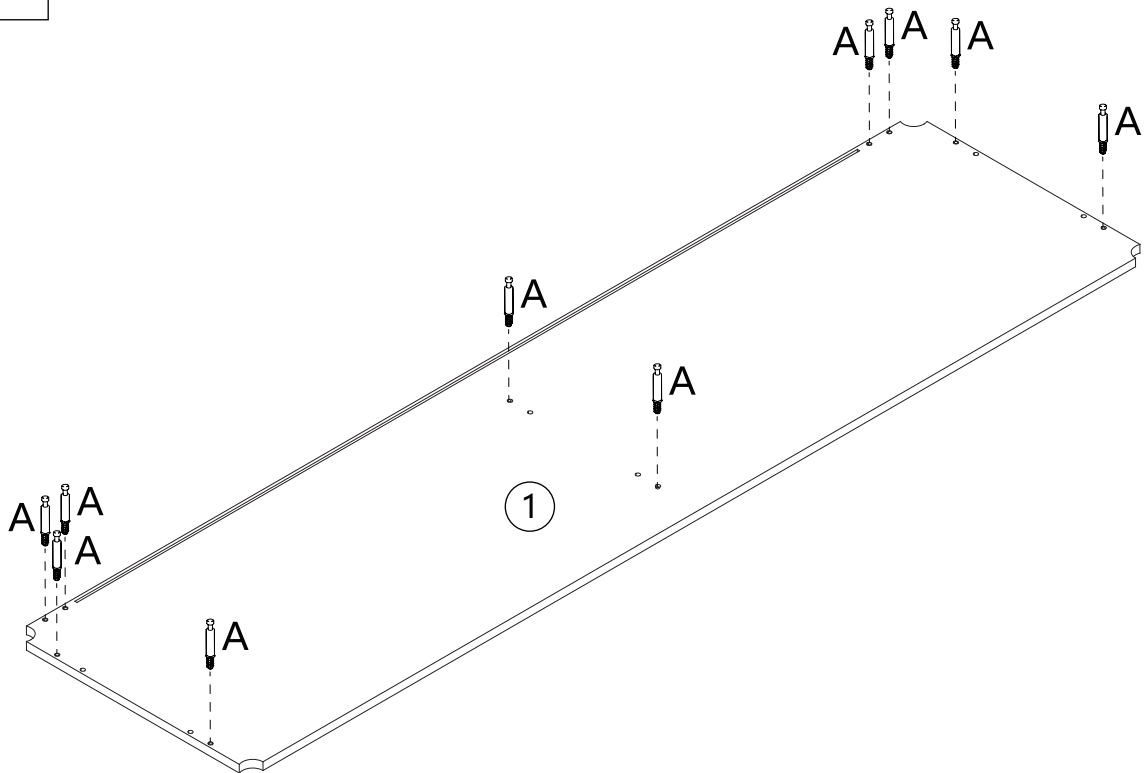
# STEP5

B	X 2	C	X 4
			
$\Phi 15 \times 10$		$\Phi 8 \times 30$	





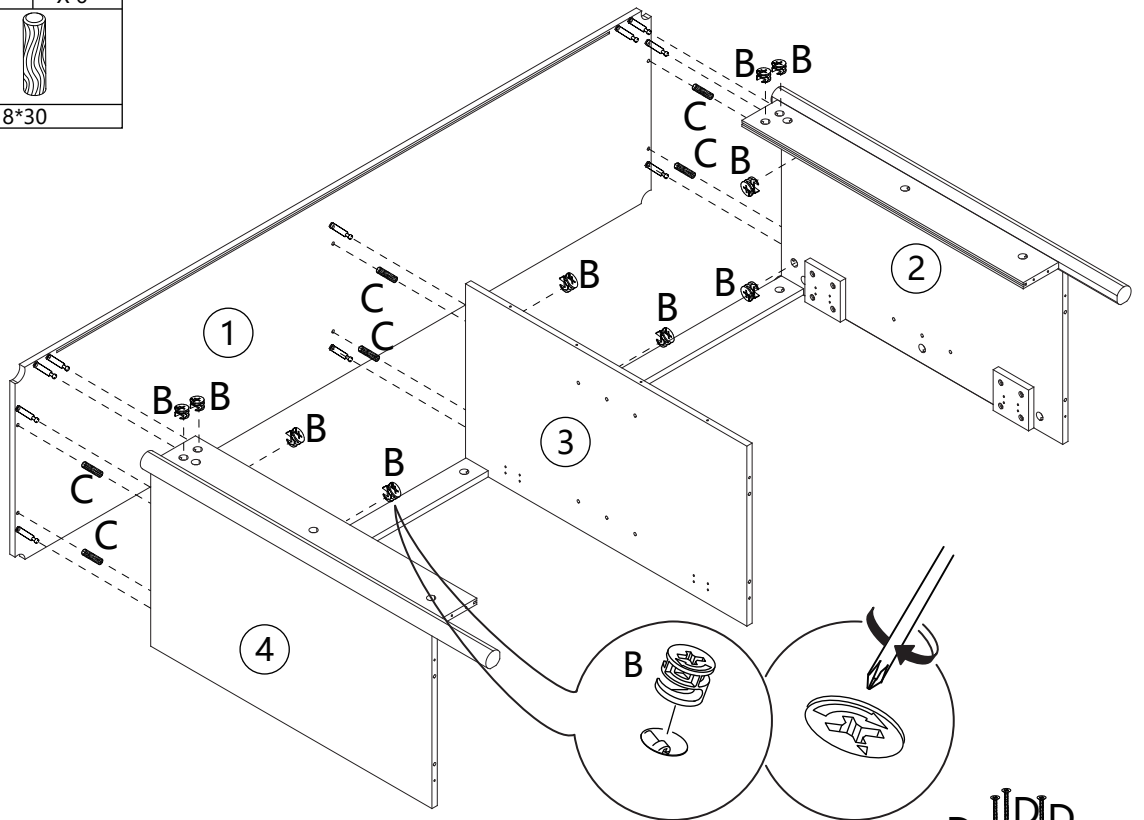
# STEP6

A	X 10
	
M6*35	





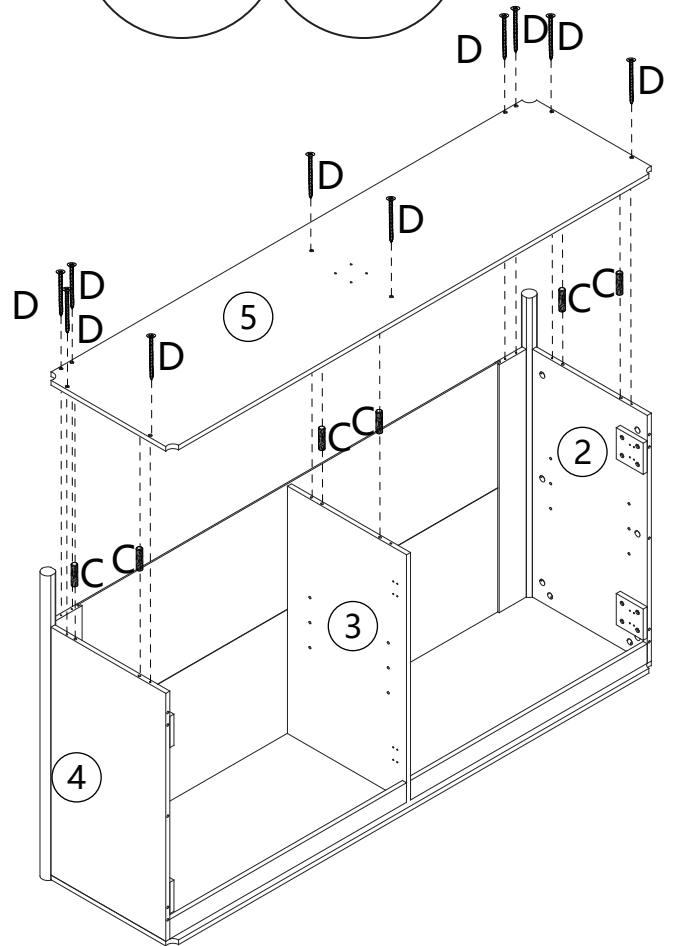
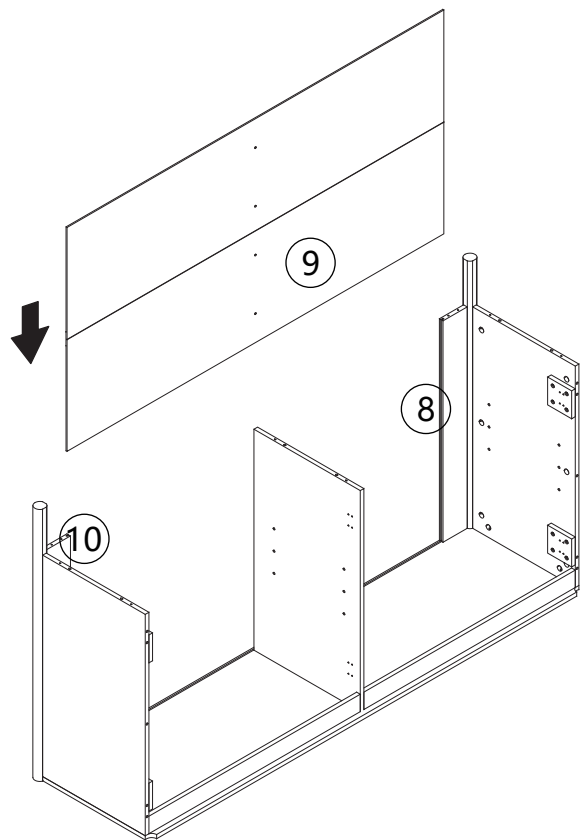
# STEP 7

B	X 10	C	X 6
			
Φ15*10		Φ8*30	



# STEP 8

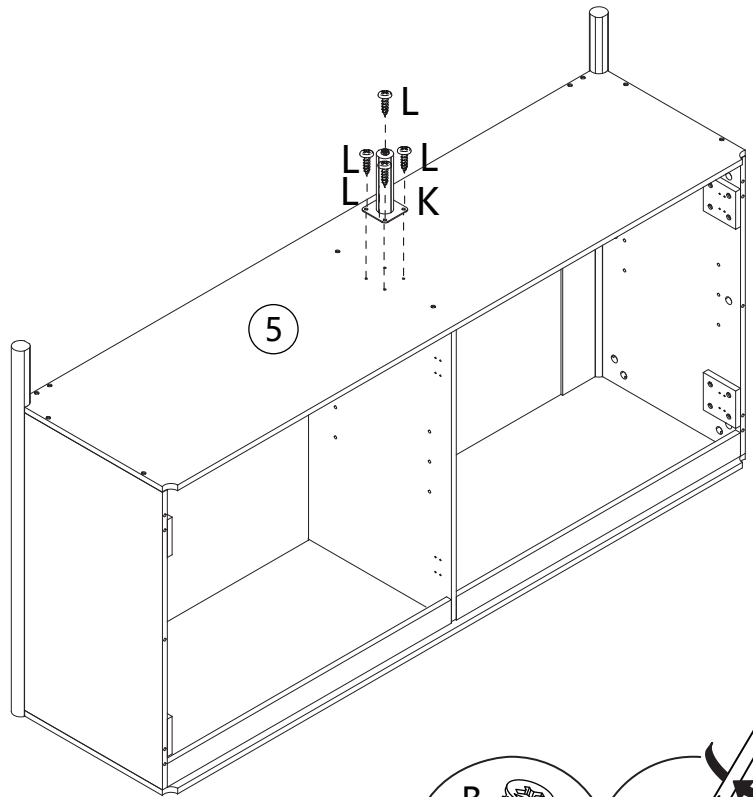
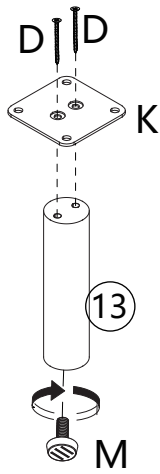
C	X 6	D	X 10
			
Φ8*30		M4*35	



# STEP9

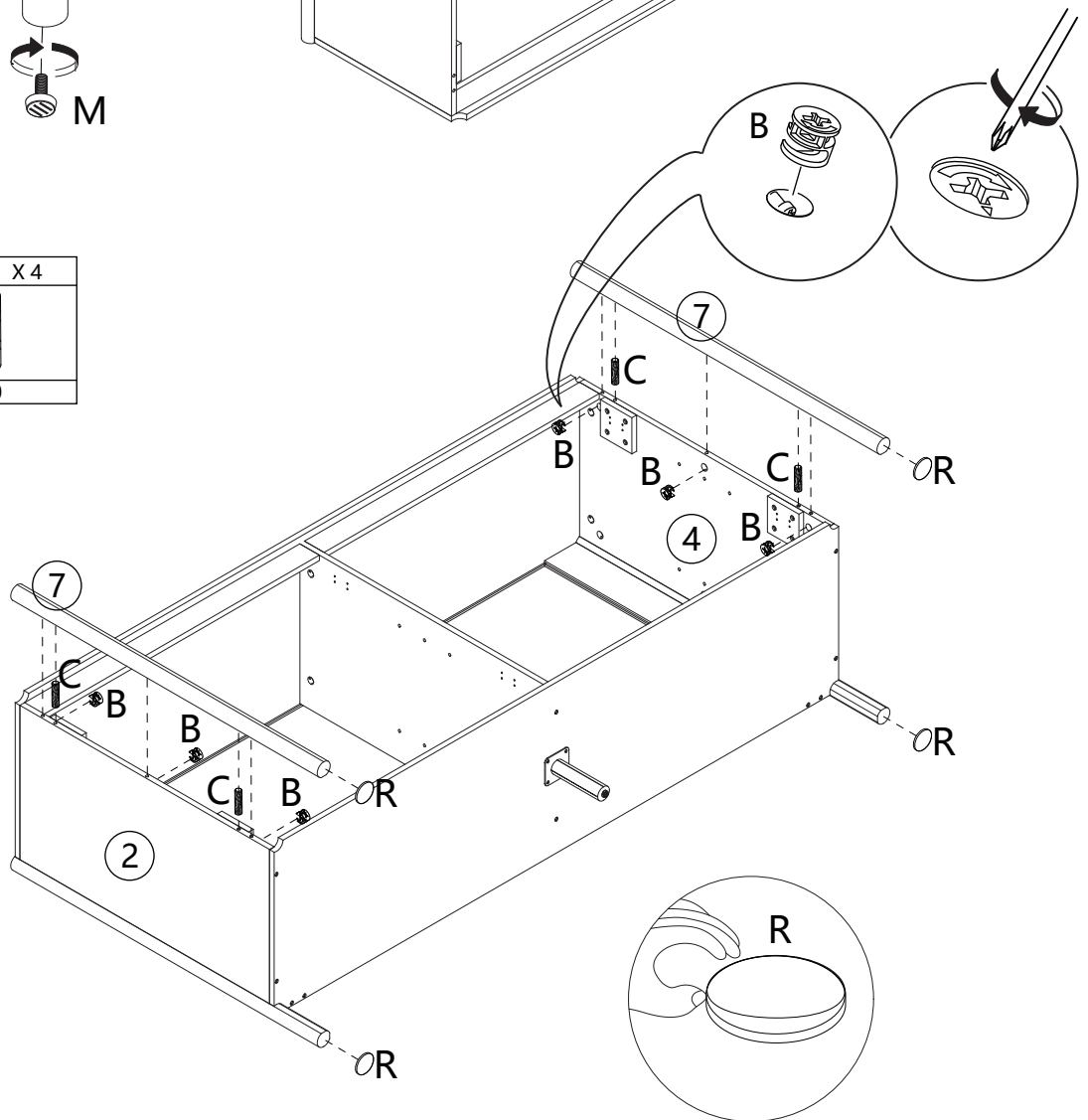
K	X1	D	X2
		M4*35	
L	X4	M	X1
M4*12			

First, install leg 13 according to the steps. Then, turn leg 13 upward and secure the bottom plate K with screw L.



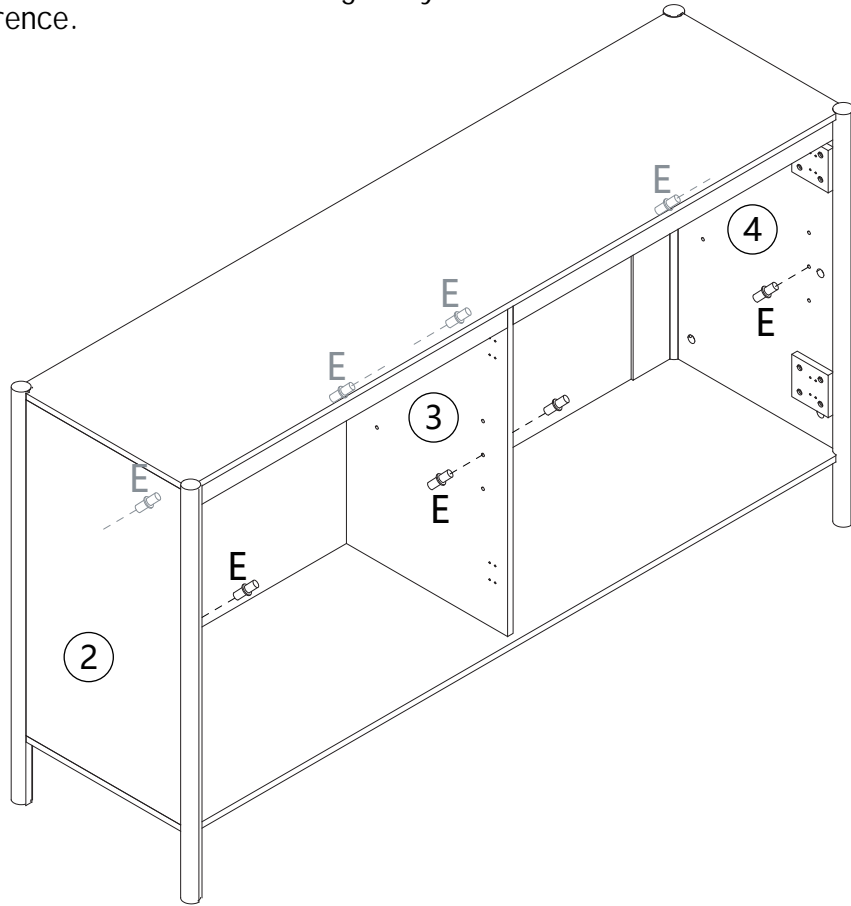
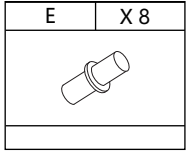
# STEP10

B	X6	C	X4
Φ15*10		Φ8*30	
R	X4		
Φ25*3			

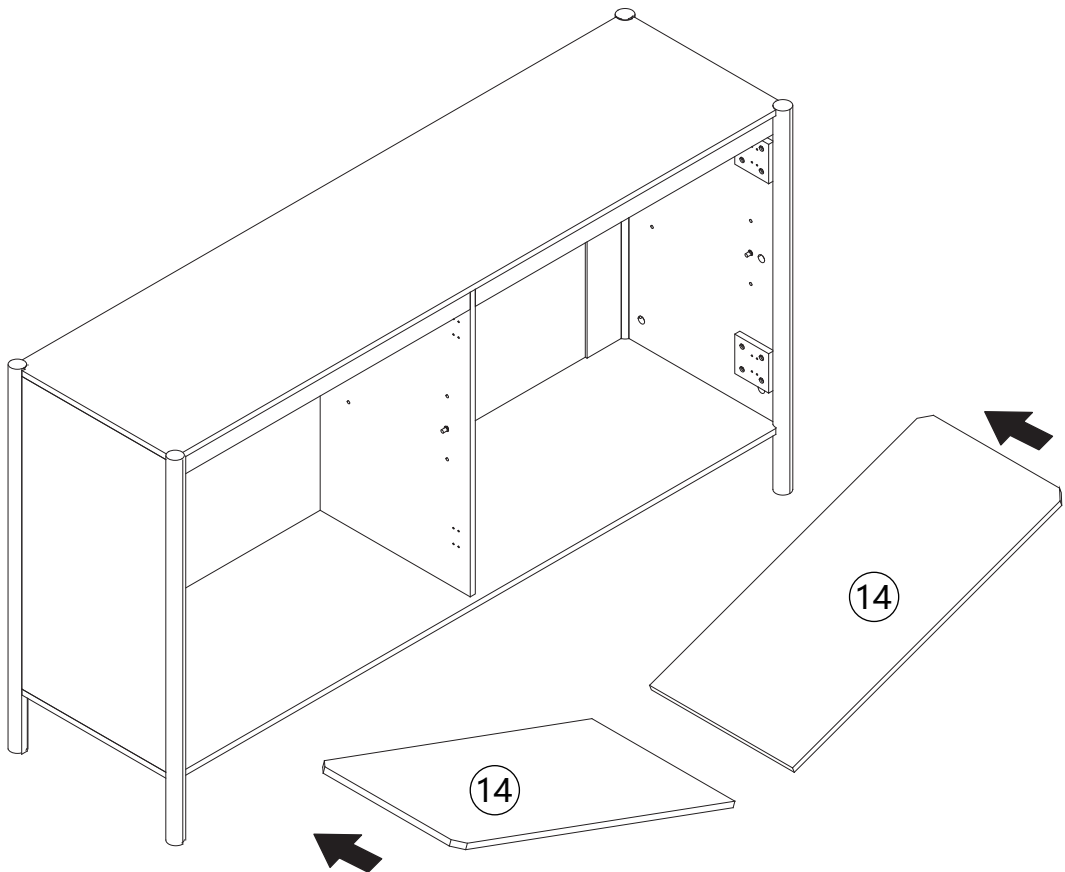


# STEP 11

Part #E can be placed in any of the three holes on both sides according to your preference.



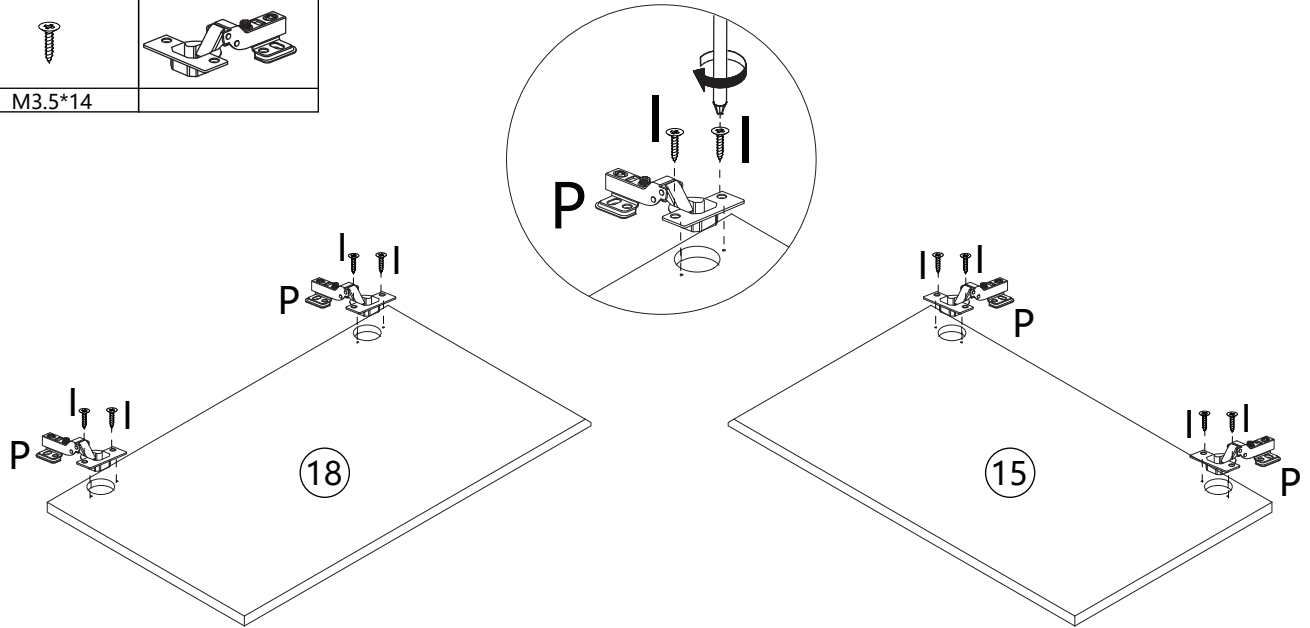
# STEP 12



# STEP13

In Step 13, please tighten the screws to 80%.  
In Step 14, adjust to the right angle and then fully tighten them.

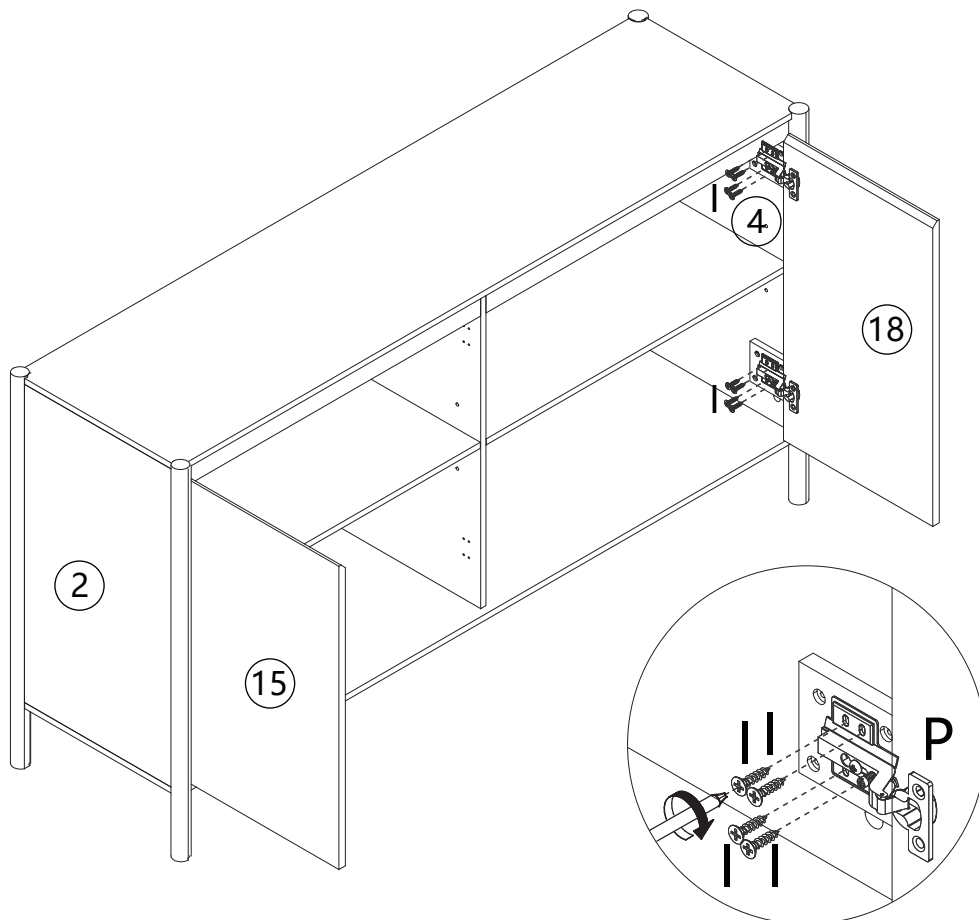
I	X 8	P	X 4
M3.5*14			



install one of part # 15 and one of part # 18 on both side using hinge P , as shown in step 14

# STEP14

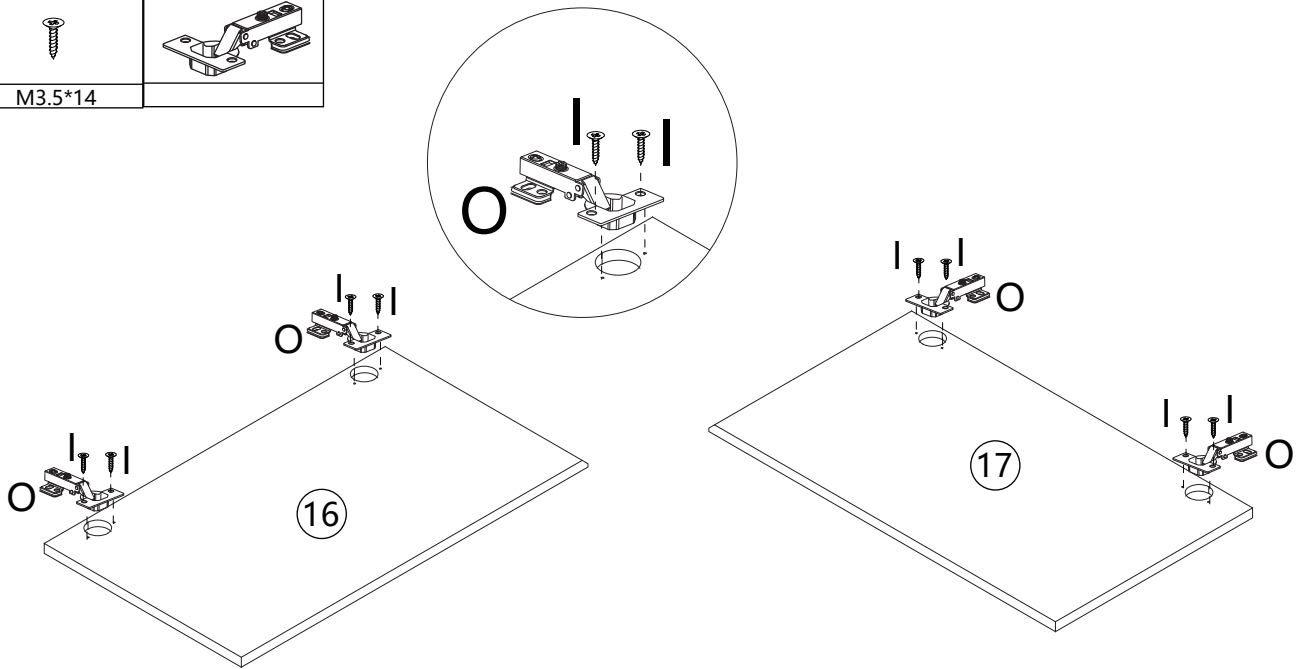
I	X 16
M3.5*14	



# STEP 15

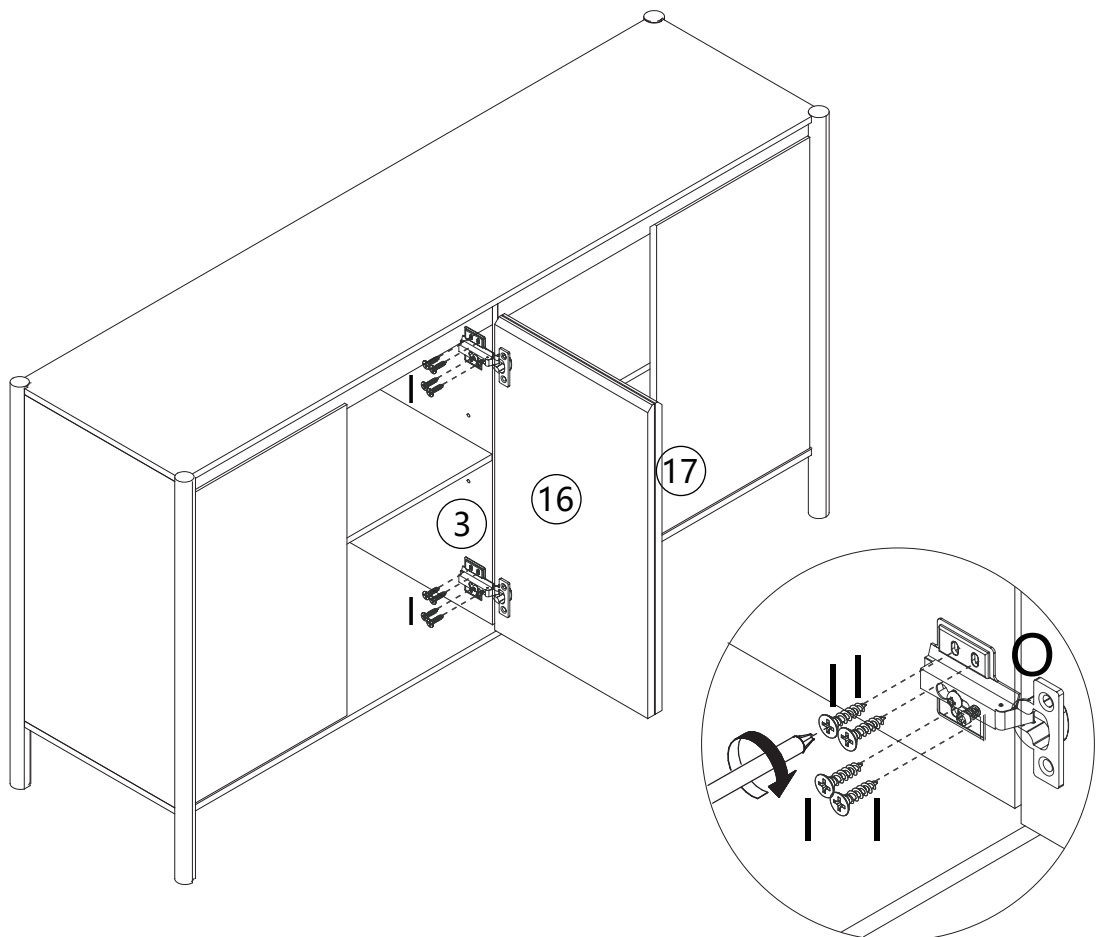
I	X 8	O	X 4
M3.5*14			

Next, install Step 15, one of the Part #16 and #17 in the middle using hinge O, as shown in Step 16, Please use the specified hinges as per the instructions to avoid errors.





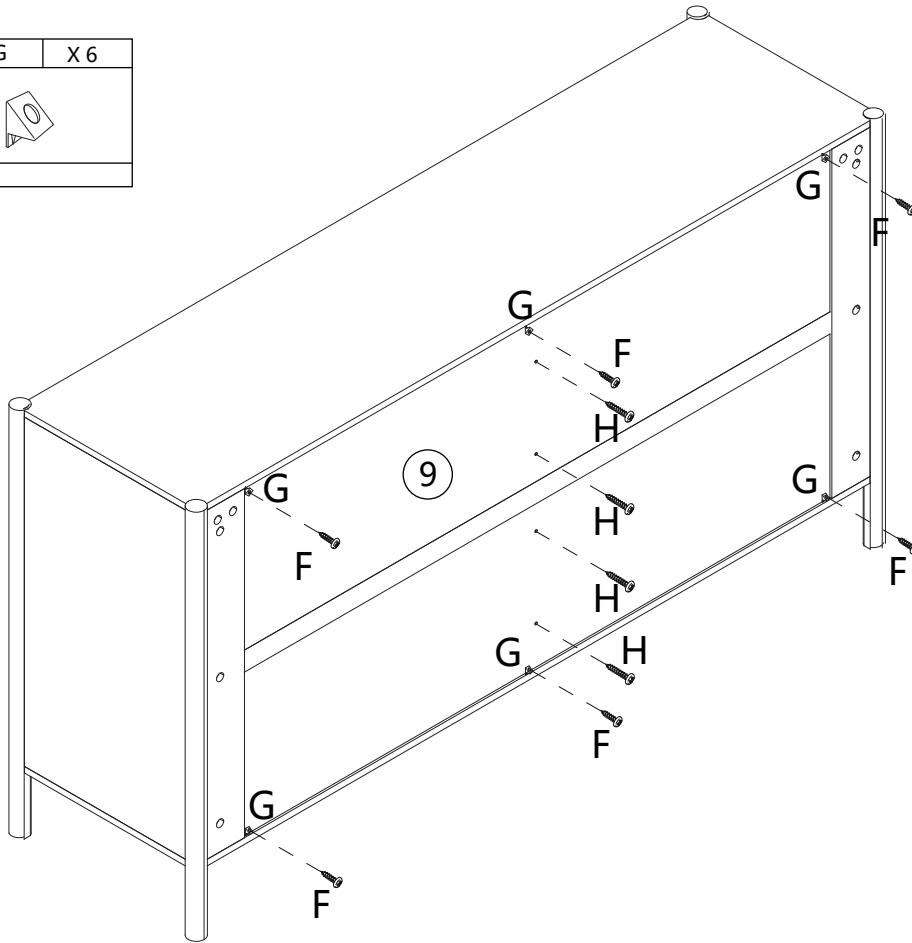
# STEP 16

I	X 16
M3.5*14	





# STEP17

F	X 6	G	X 6
			
M3*14			
H	X 4		
			
M4*20			



# STEP18

D	X 2	L	X 2
			
M4*35		M4*12	
Q	X 2		
