
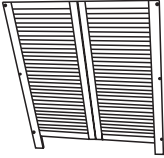


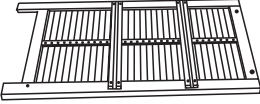
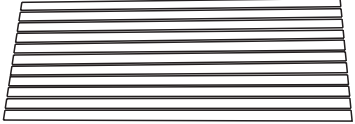




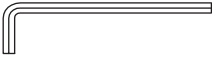

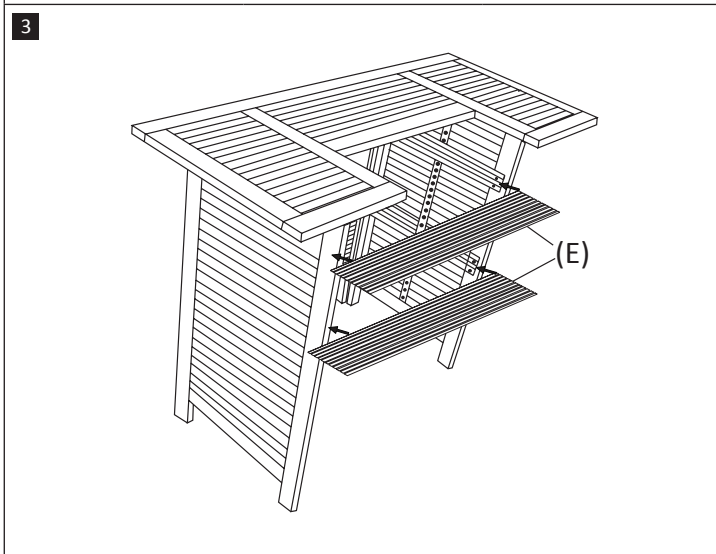
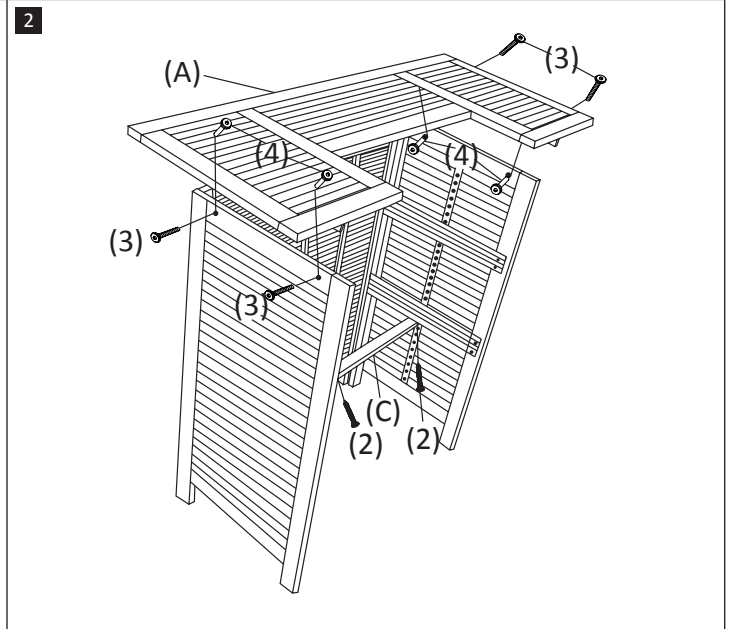
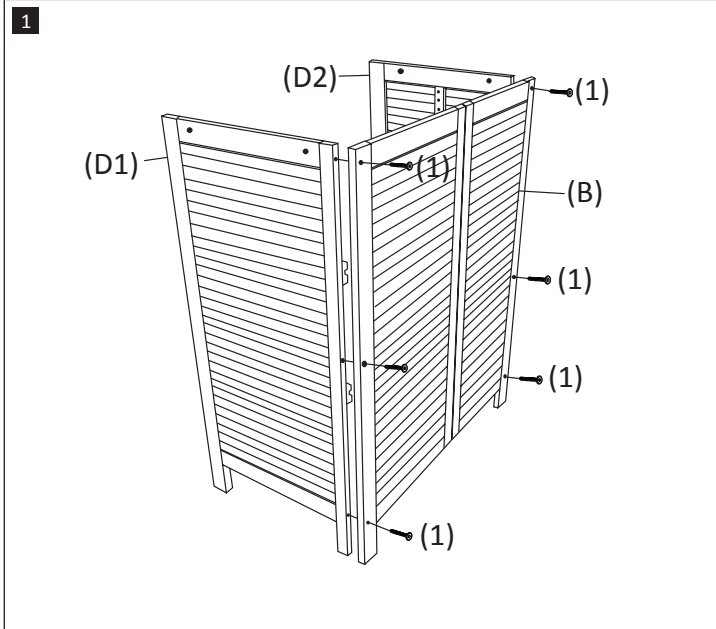
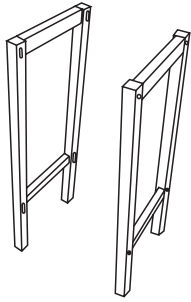


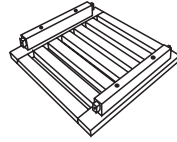
(A) x 1 		(B) x 1 		(C) x 1 	
(D1) x 1 		(D2) x 1 		(E) x 2 	
(1) x 6  M7 x $\frac{45}{1.8}$	(2) x 2  M4 x $\frac{25}{1}$	(3) x 4  M6 x $\frac{30}{1.2}$	(4) x 4  M6 x $\frac{15}{0.6}$	(5) x 2  M4	1 x  $\frac{\text{mm}}{\text{inch}}$



(A) x 2



(B) x 1



(C) x 2

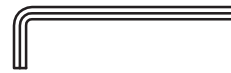


(1) x 8



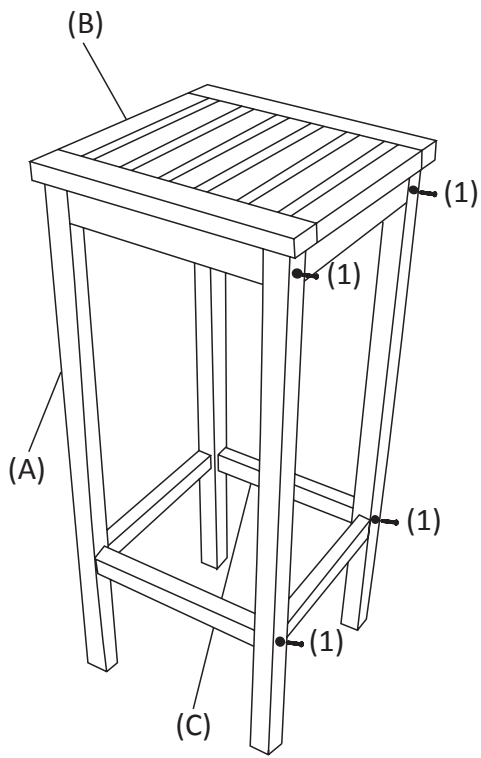
M7 x  $\frac{70}{2.8}$

(2) x 1



M4

1



2

