

# **SLEEPER SOFA**

## **Assembly Instruction**



**NOTE:**

Delivered with SEVERAL PACKAGES with SEVERAL TRACKINGS, may NOT be delivered at the same time.



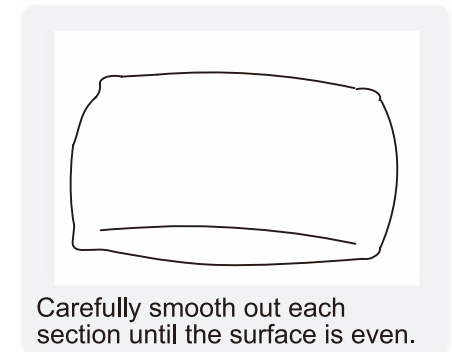
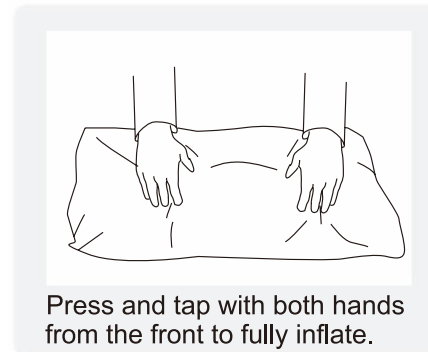
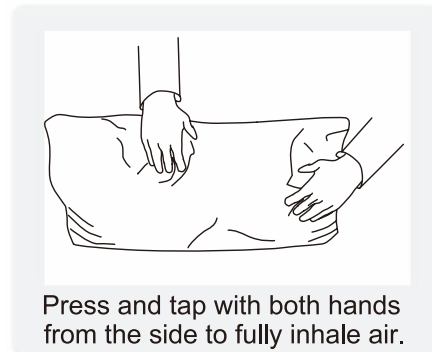
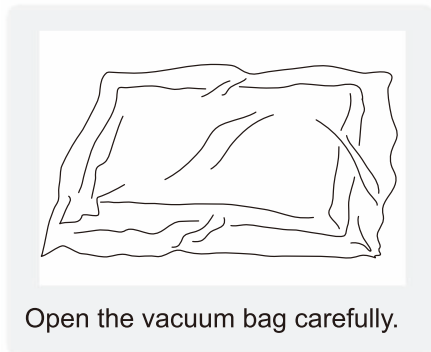
# Safety and Care Advice

**Important – Please read these instructions fully before starting assembly**

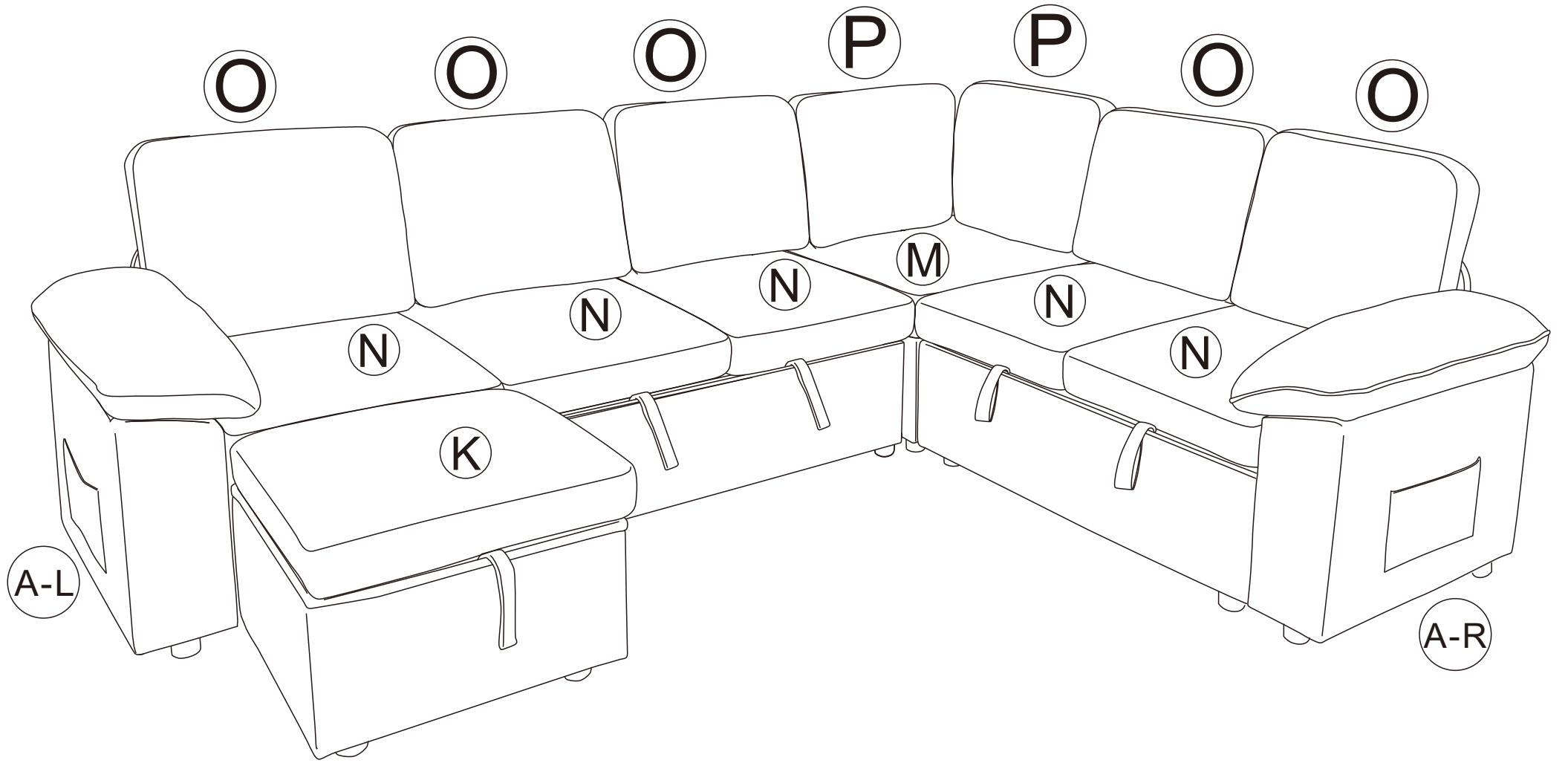
Thanks for your purchase. Before assembling, please follow the instructions to check if all the spare parts and screws are intact.

- Considering the size and weight of the sofa, we recommend two adults to assemble the sofa, on a carpeted or padded area, in the room that it is intended for. Approximate assembly time: 60 minutes.
- Keep all components and packaging out of reach of children or animals to avoid the risk of choking or suffocation.
- Please do not throw away any of the packaging or the instruction until you have checked all the components and hardware and the furniture is fully assembled. Please ensure that the packaging is disposed in a safe and environmentally friendly way.
- Please do not take off the cover, and do not wash.

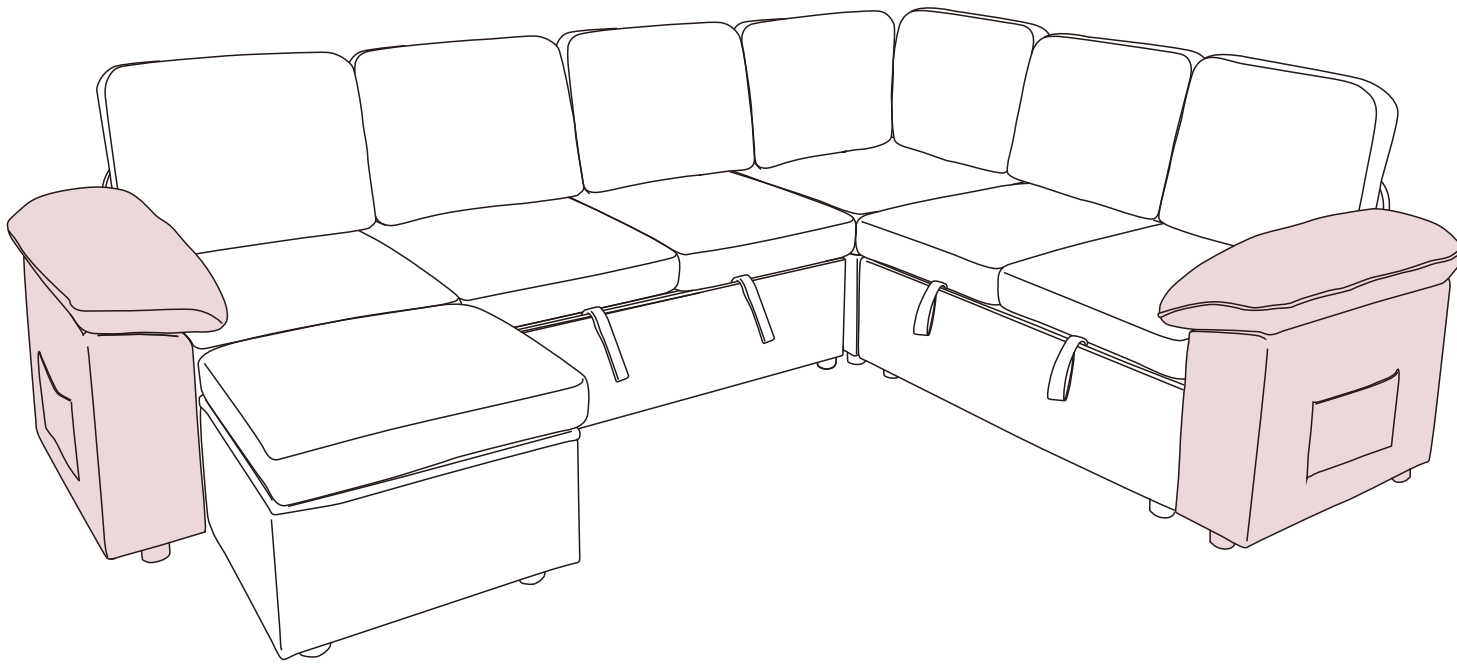
Your cushions come vacuum packed and sealed for shipping. To restore the cushion's original shape, follow the steps below.



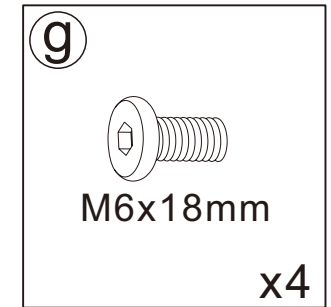
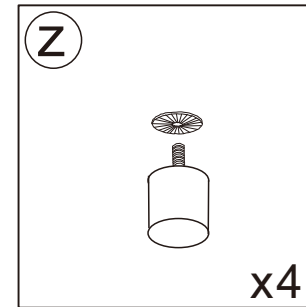
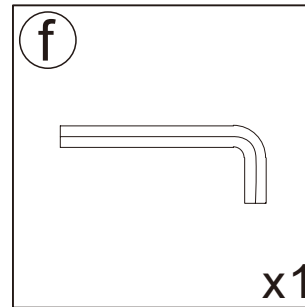
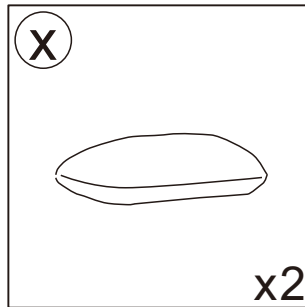
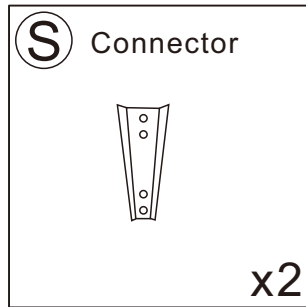
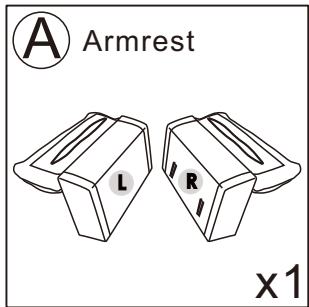
After packing up, place them in somewhere dry and ventilated. After about 72-96 hours. It can be restored to the best use condition.



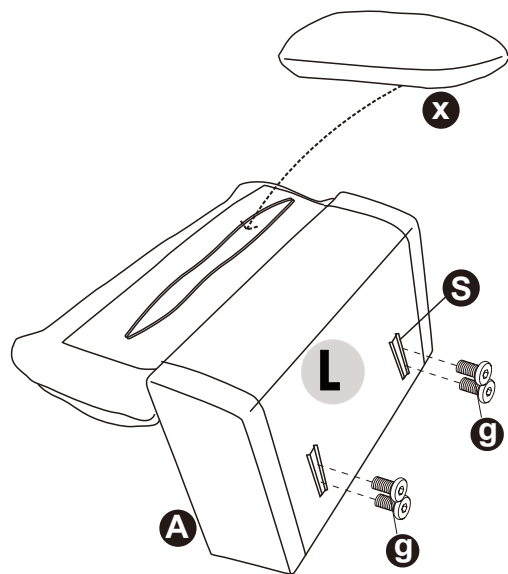
# BOX E



## Main structure accessories

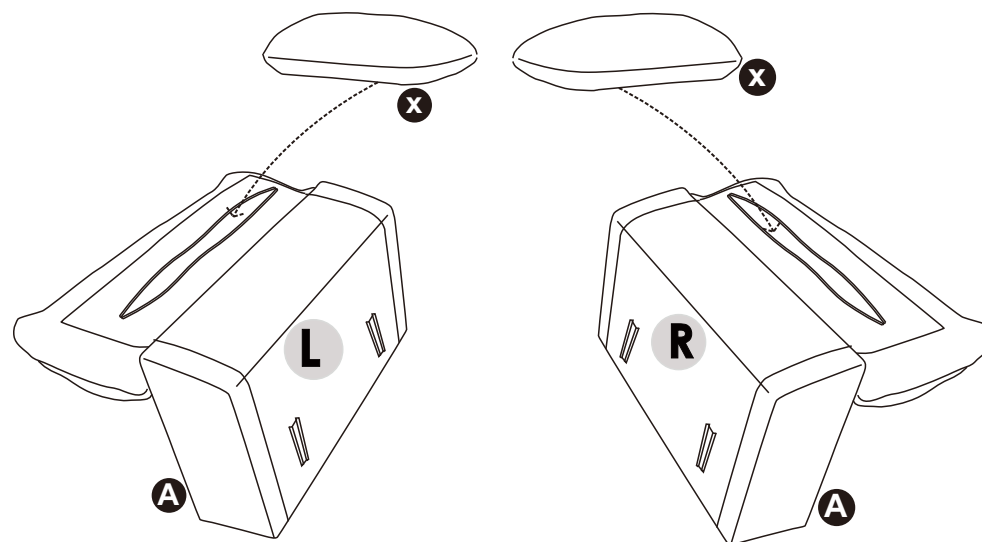




### STEP 1



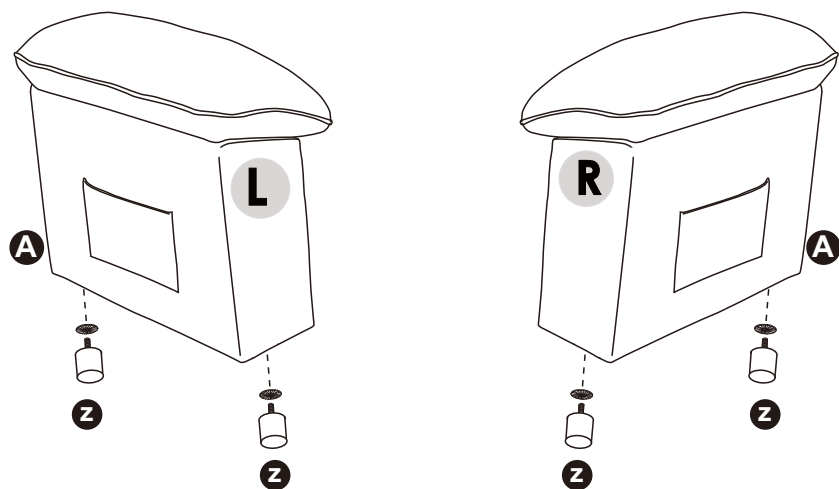
- f**  x1
- g**  x4  
M6x18mm
- S**  x2
- A**  x1

### STEP 2



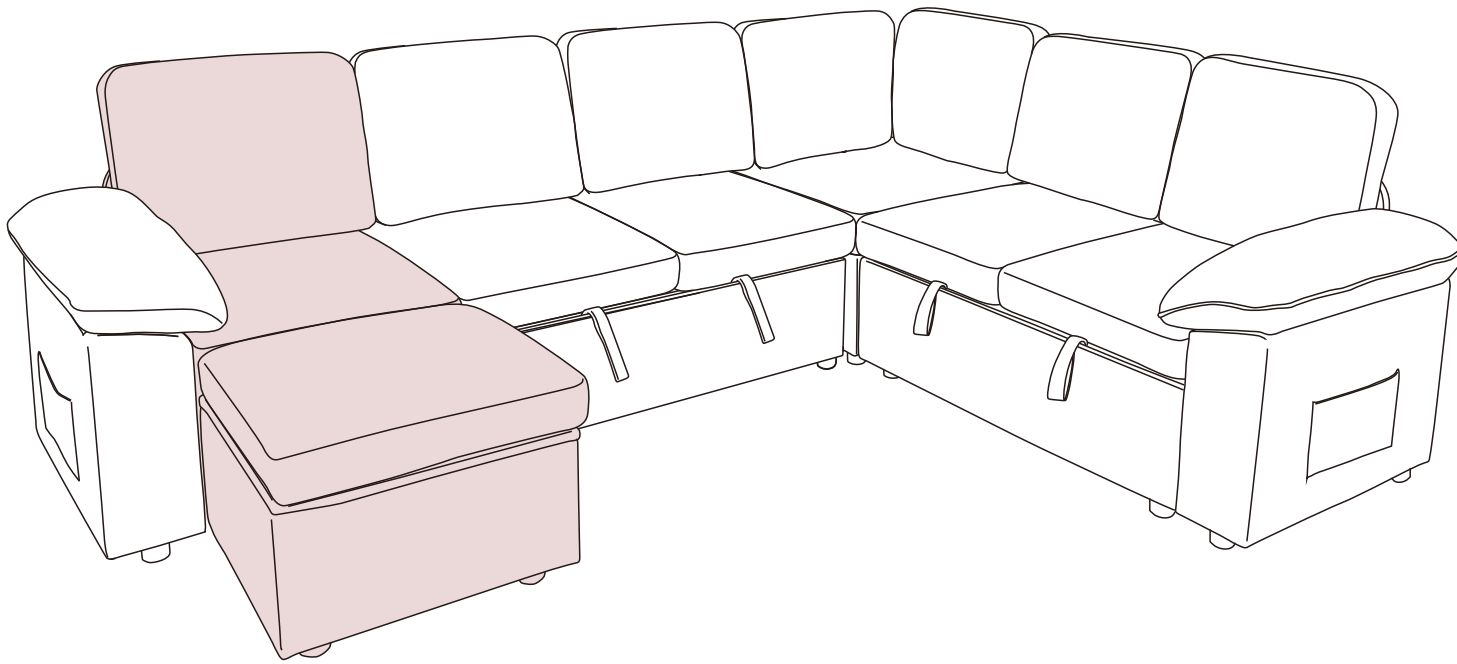
- x**  x1
- A**  x1

### STEP 3

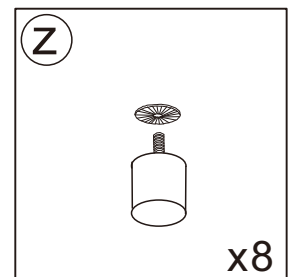
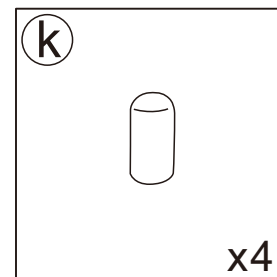
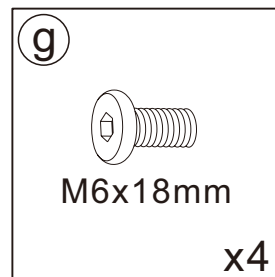
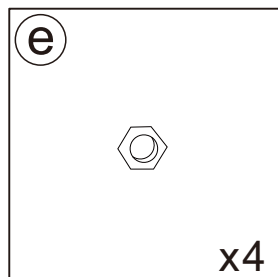
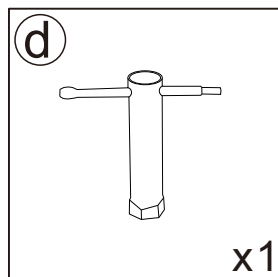
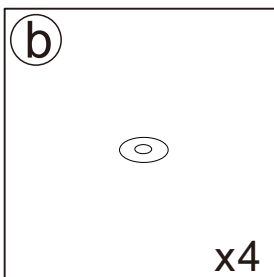
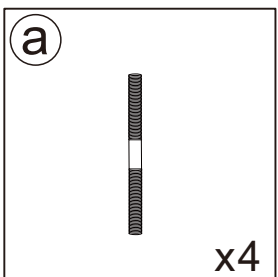
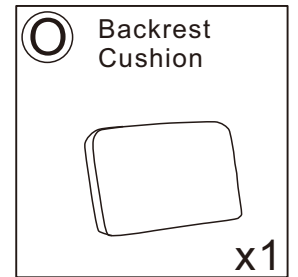
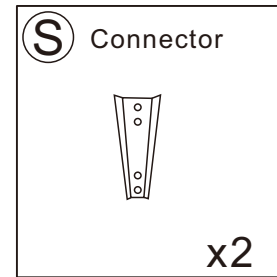
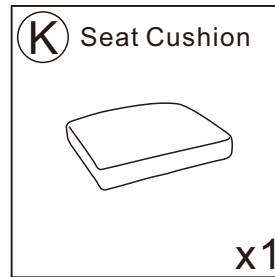
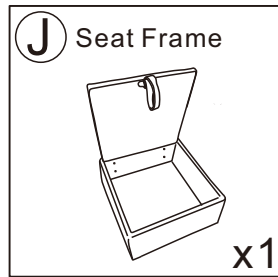
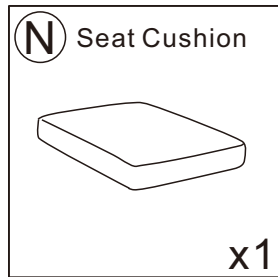
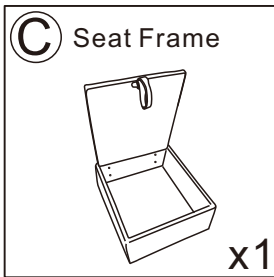
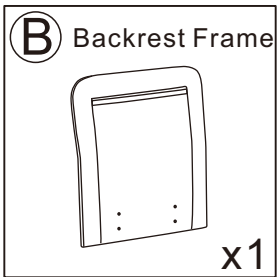
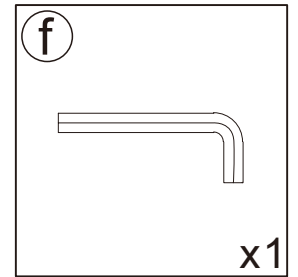


- Z**  x4

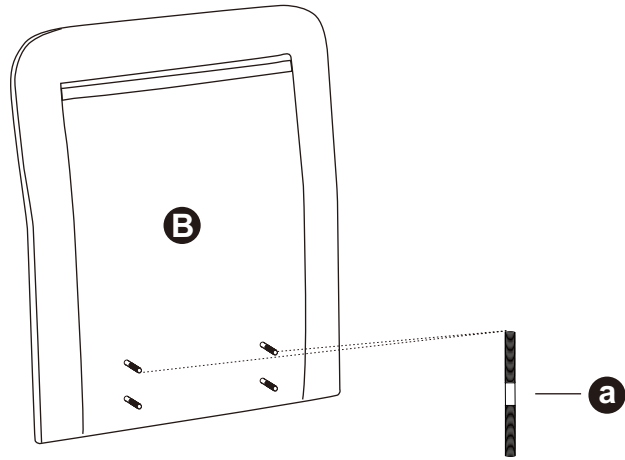
# BOX D





## Main structure accessories

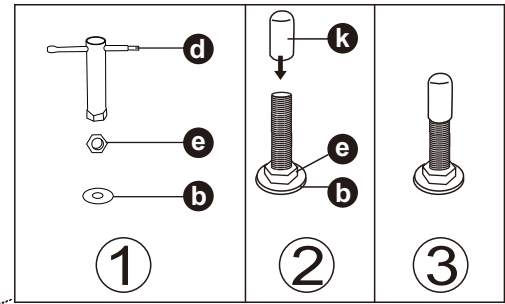
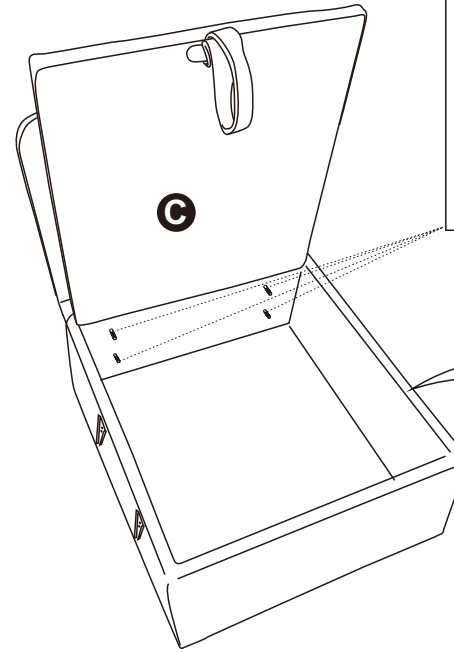



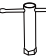






### STEP 1



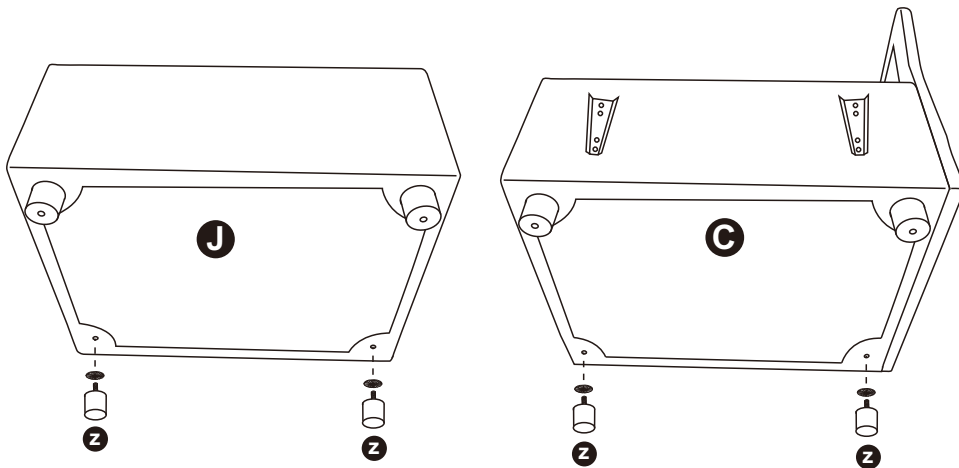
- B**  x1
- a**  x4



### STEP 2



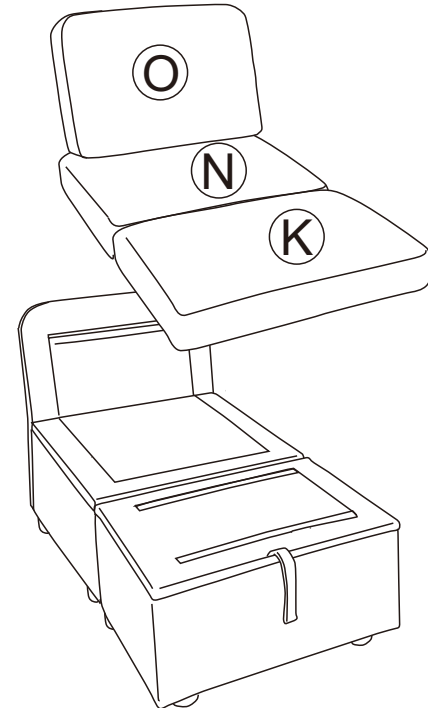
- k**  x4
- d**  x1
- e**  x4
- b**  x4
- f**  x1
- g**  M6x18mm x4
- s**  x2
- C**  x1




### STEP 3



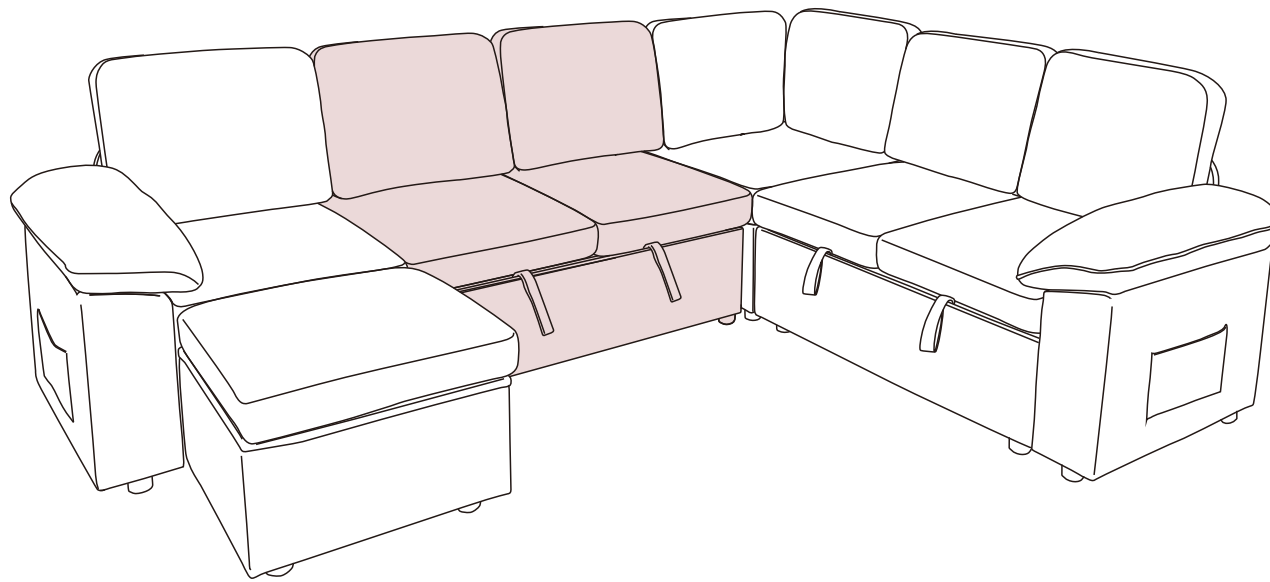
- J**  x1
- Z**  x8

### STEP 4

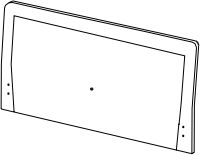
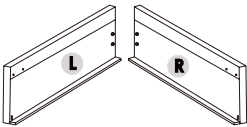
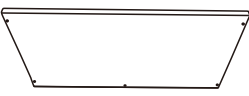
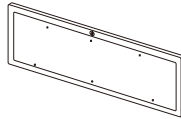
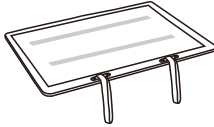
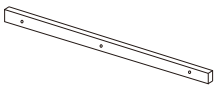
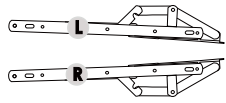
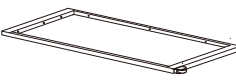

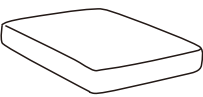
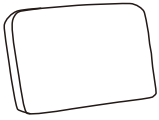
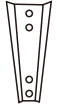

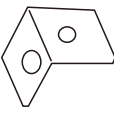
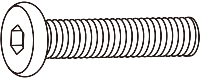
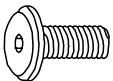
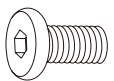

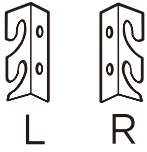
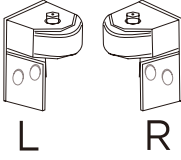
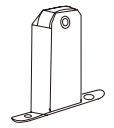


- O**  x1
- N**  x1
- K**  x1

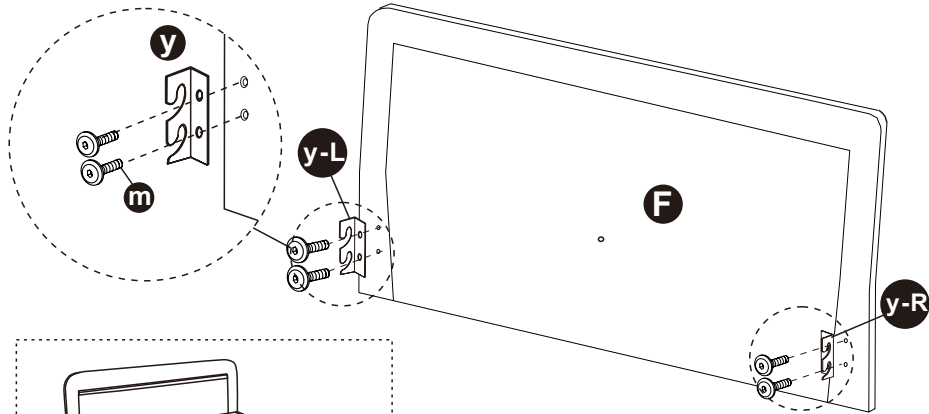
# BOX C



## Main structure accessories

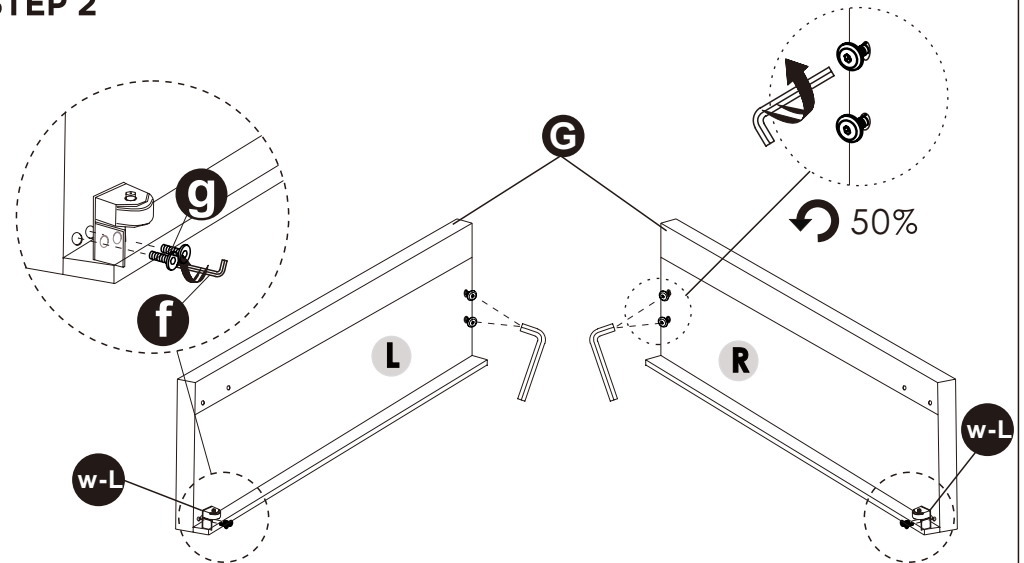
<b>F</b> Backrest Frame  x1	<b>G</b> Sofahen Side Bezel  x1	<b>H</b> Sofahen Panel  x1	<b>I-1</b> Front Bezel  x1	<b>I-2</b> Sofahen Panel  x1	<b>I-3</b> Woodwind  x1	<b>I-4</b> Connector  x1
<b>I-5</b> Pull-out Frame  x1	<b>I-6</b> Seat Cushion  x1	<b>N</b> Seat Cushion  x2	<b>O</b> Backrest Cushion  x2	<b>S</b> Connector  x2	<b>f</b>  x1	<b>j</b> Connector  x5
<b>h</b>  M6x40mm x6	<b>m</b>  M6x16mm x4	<b>g</b>  M6x18mm x36	<b>z</b>  x4	<b>y</b>  L R x1	<b>w</b>  L R x1	<b>v</b>  x4

### STEP 1



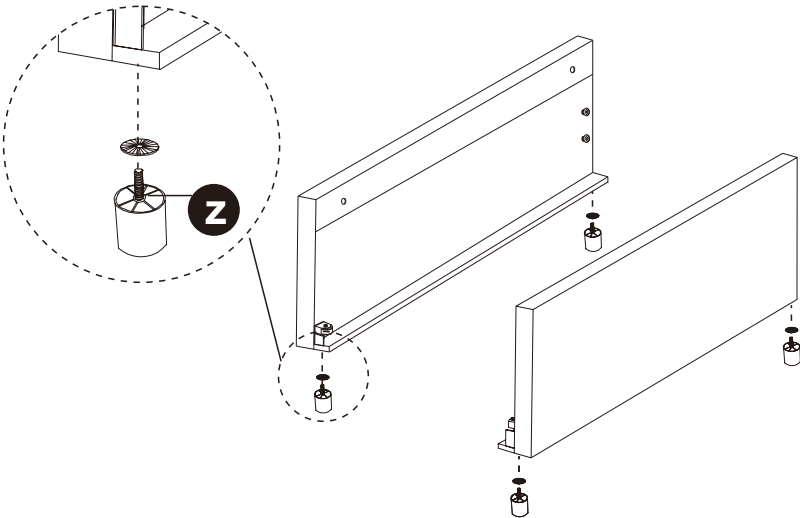
<b>F</b>	x1	<b>m</b>	x4
<b>y</b> L R	x1	<b>f</b>	x1

### STEP 2



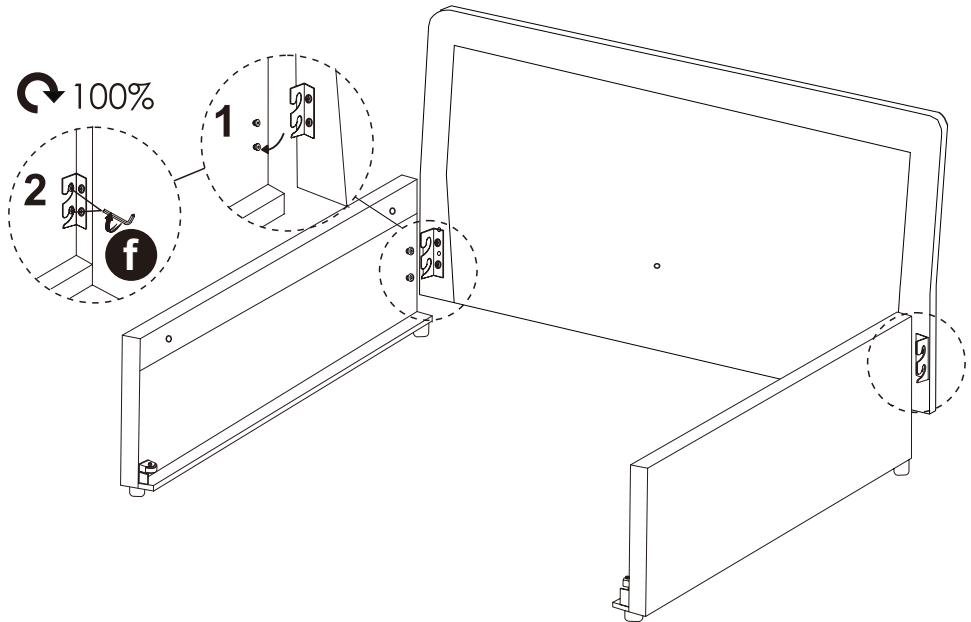
<b>G</b>	x1	<b>g</b>	x4
<b>w</b> L R	x1	<b>f</b>	x1

### STEP 3



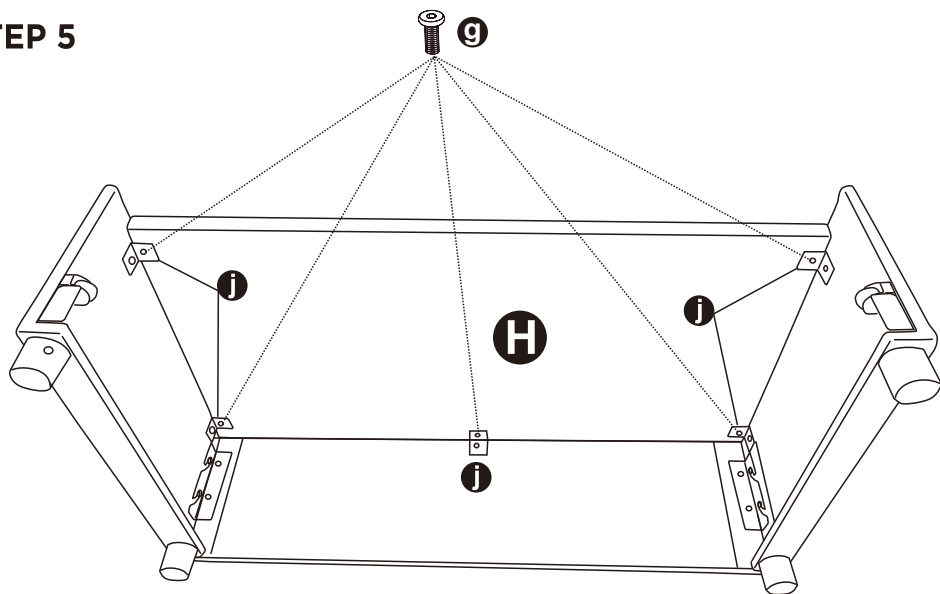
<b>z</b>	x4
----------	----




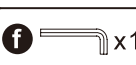
### STEP 4



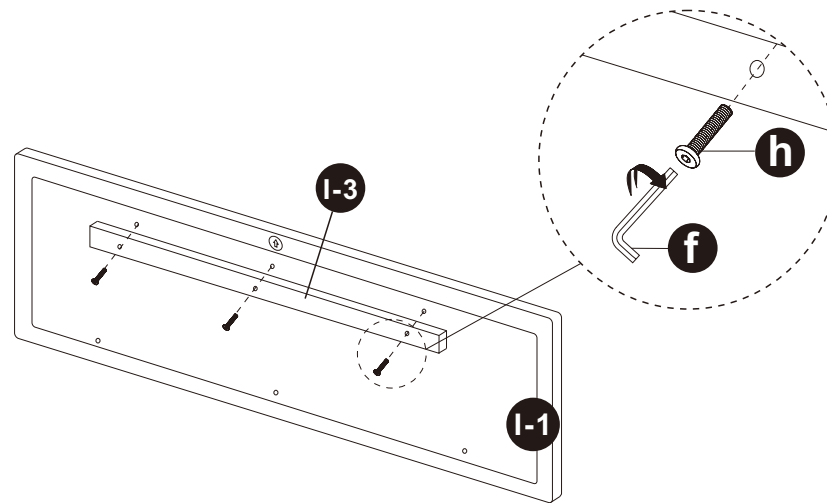
Loosen the screws at first for better engagement.




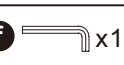
### STEP 5



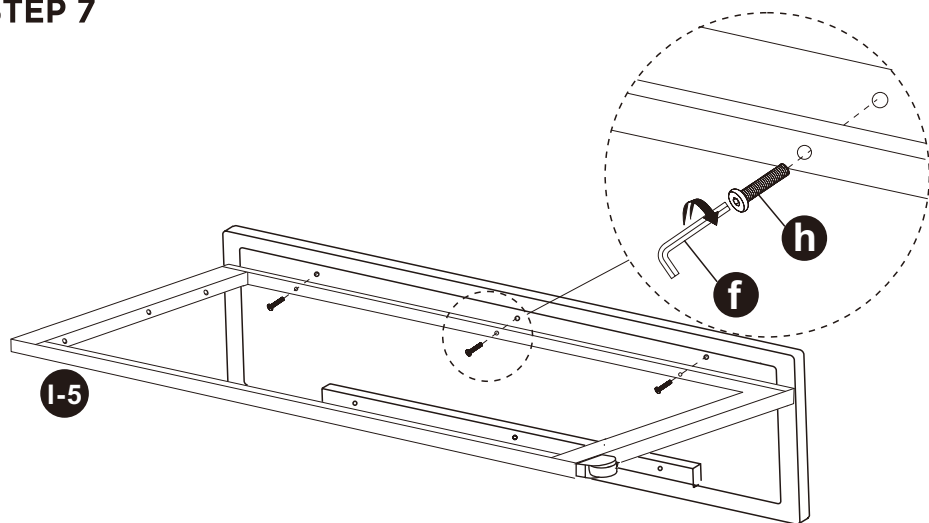
<b>H</b>	 x1	<b>g</b>	 x10
<b>j</b>	 x5	<b>f</b>	 x1




### STEP 6



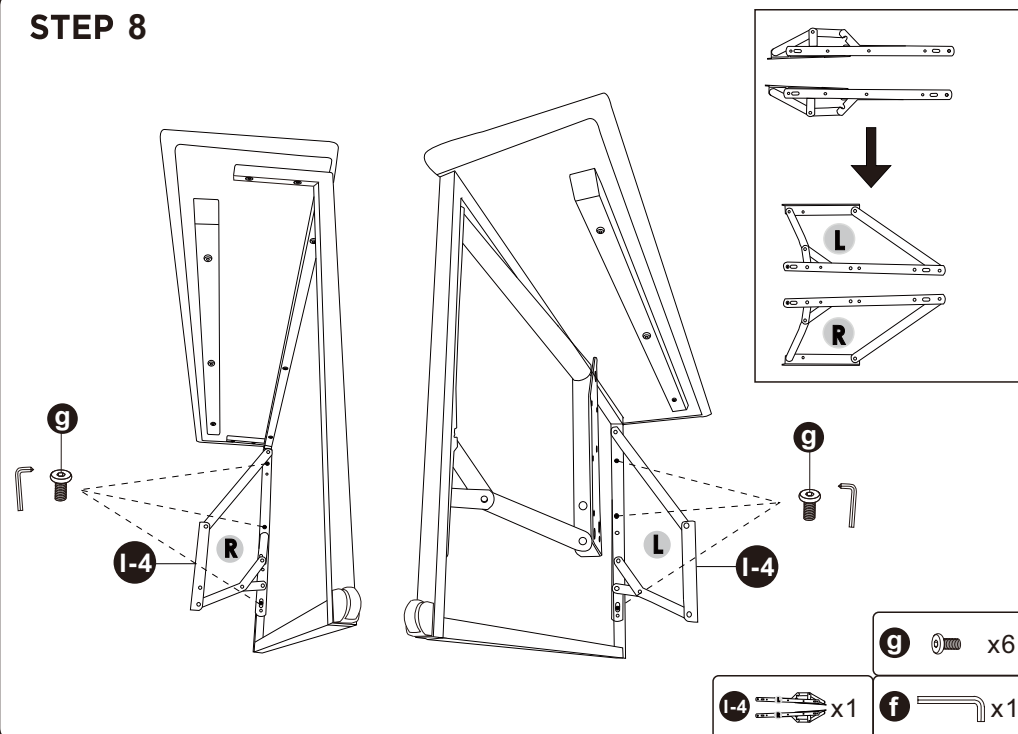
<b>I-1</b>	 x1	<b>h</b>	 x3
<b>I-3</b>	 x1	<b>f</b>	 x1




### STEP 7



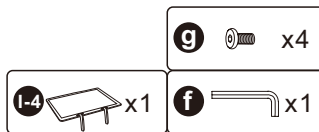
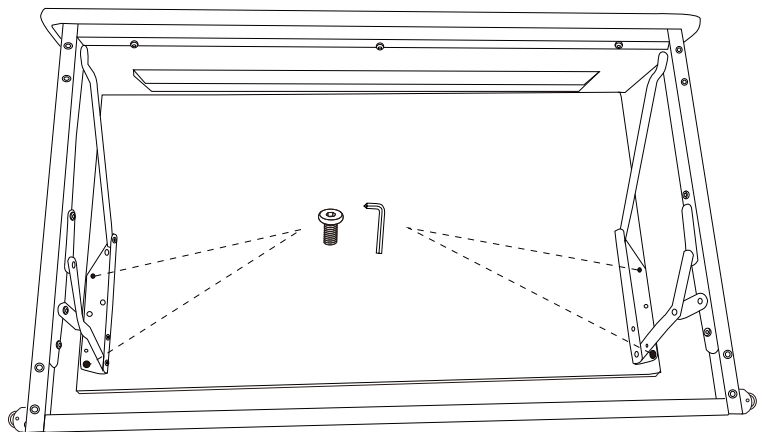
<b>h</b>	 x3		
<b>I-5</b>	 x1	<b>f</b>	 x1

### STEP 8

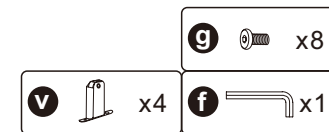
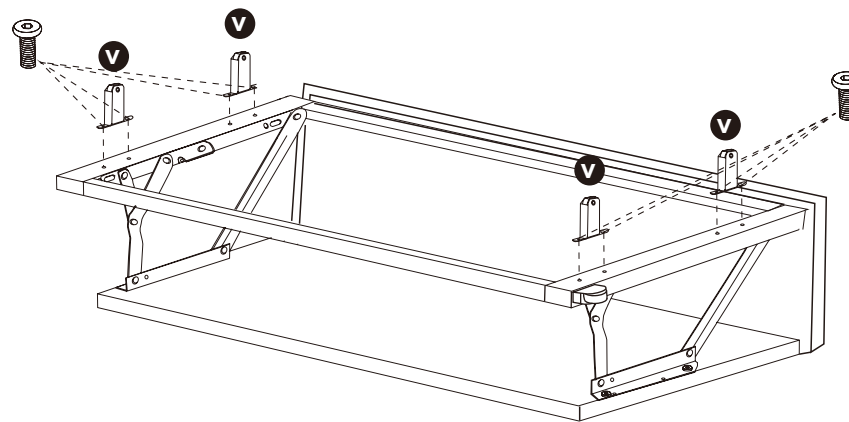


<b>g</b>	 x6		
<b>I-4</b>	 x1	<b>f</b>	 x1

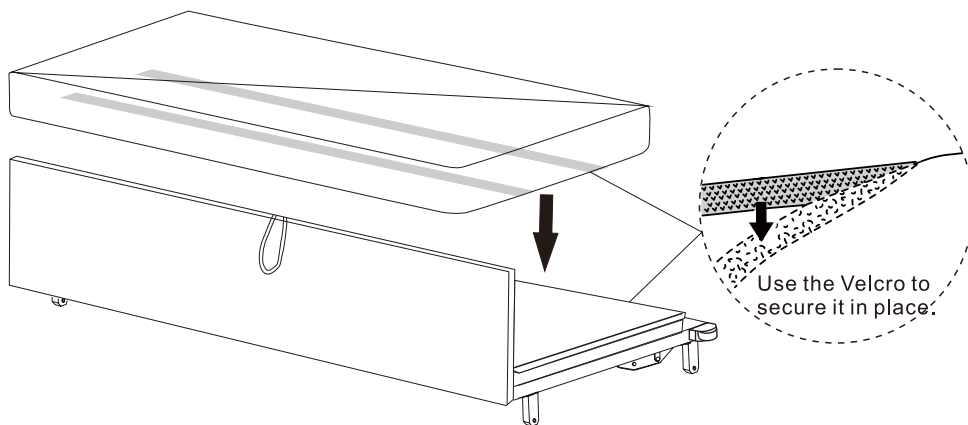
### STEP 9



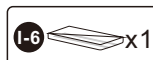
### STEP 10



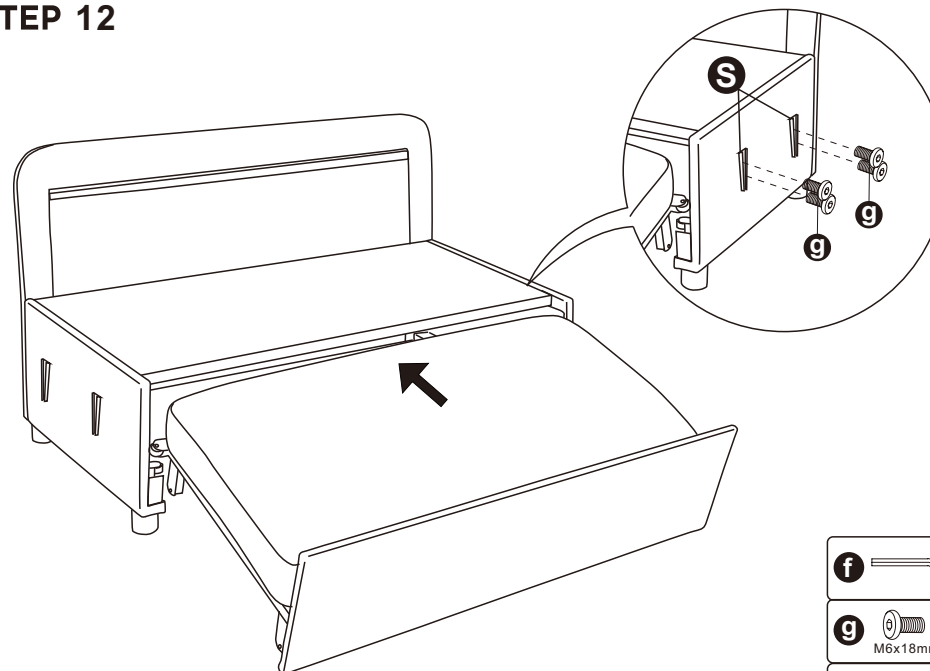
### STEP 11



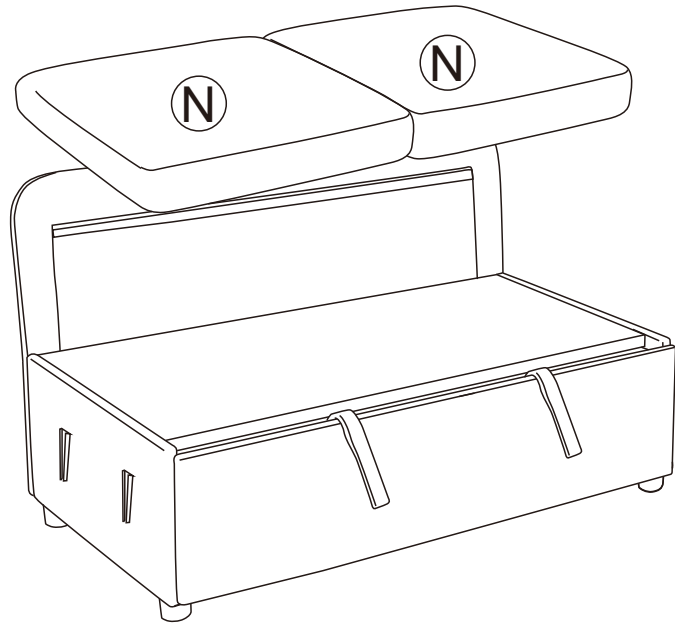
Use the Velcro to secure it in place.



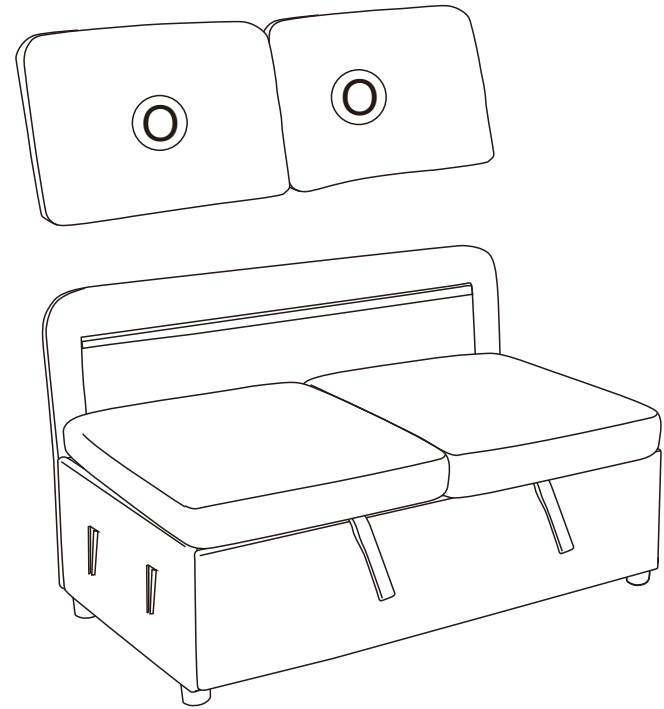
### STEP 12



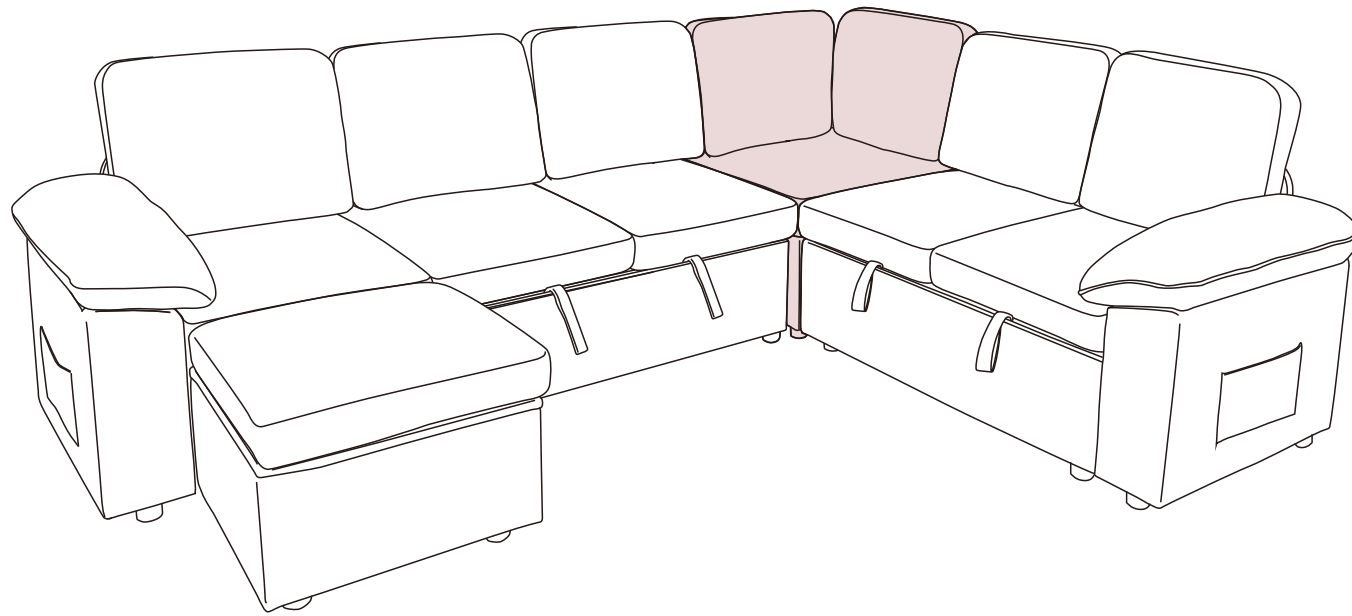
**STEP 13**



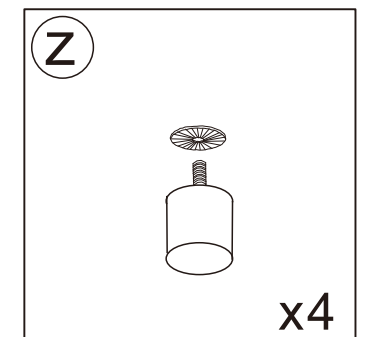
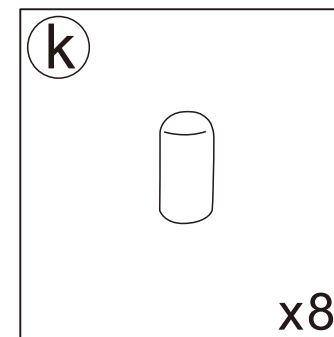
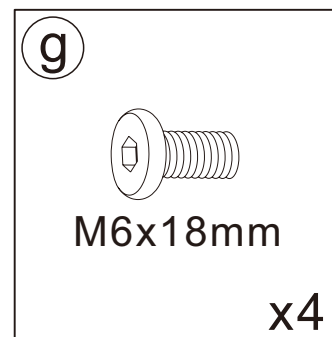
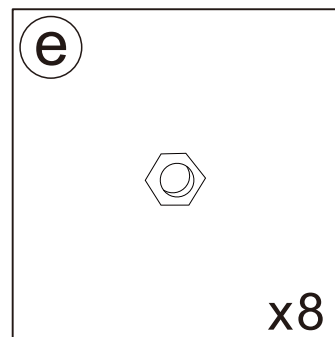
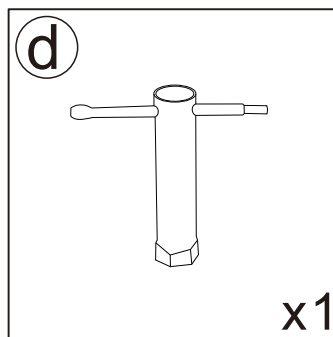
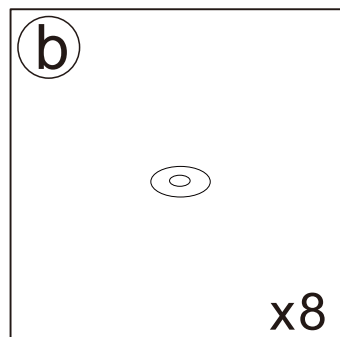
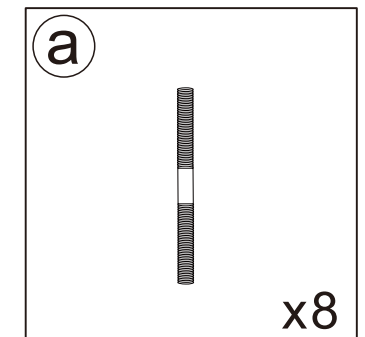
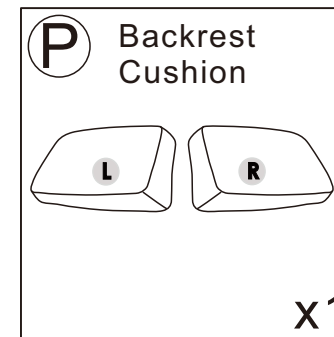
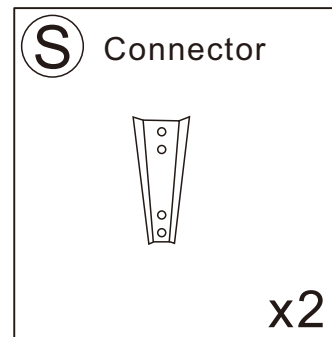
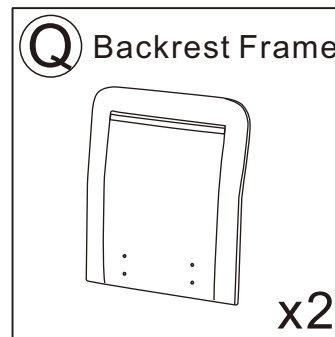
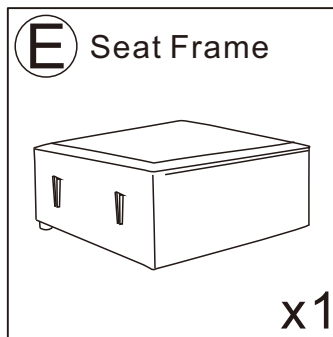
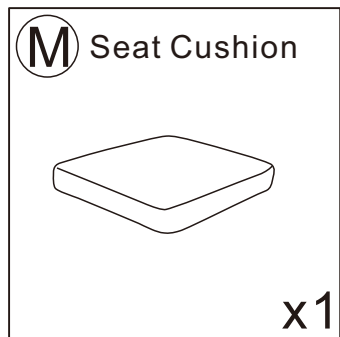
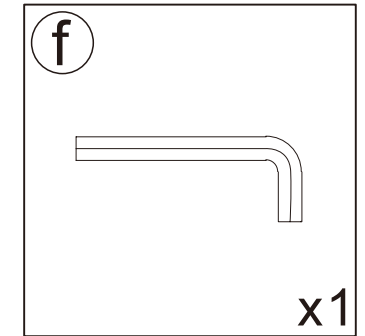
**STEP 14**



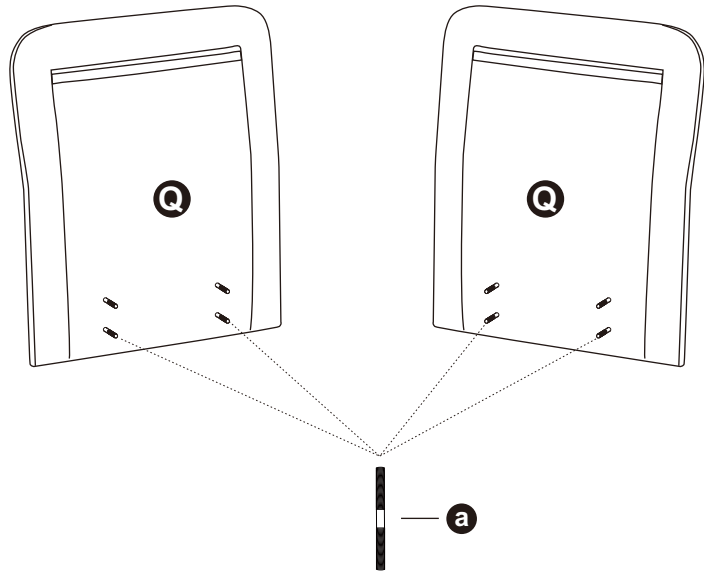
# BOX B





## Main structure accessories

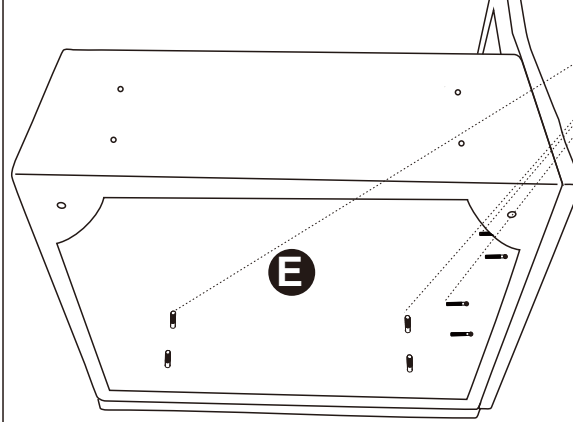
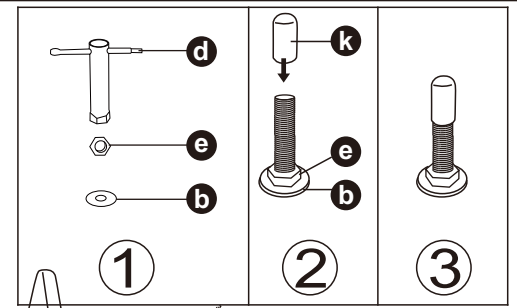







### STEP 1



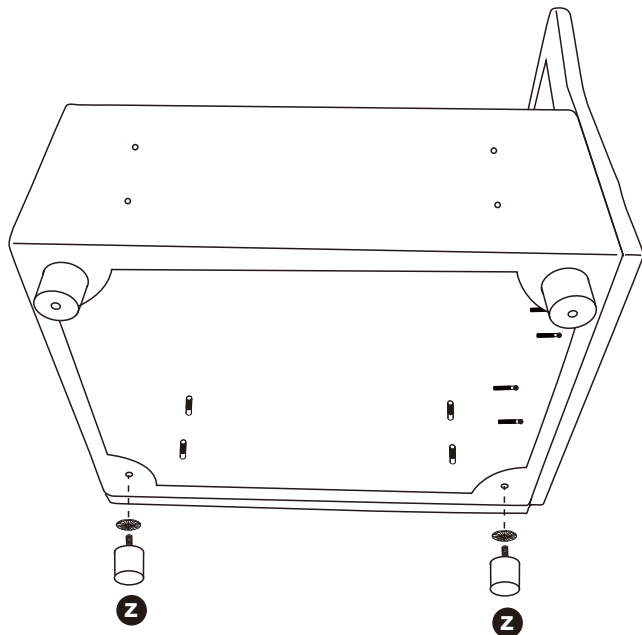
- Q**  x2
- a**  x8

### STEP 2



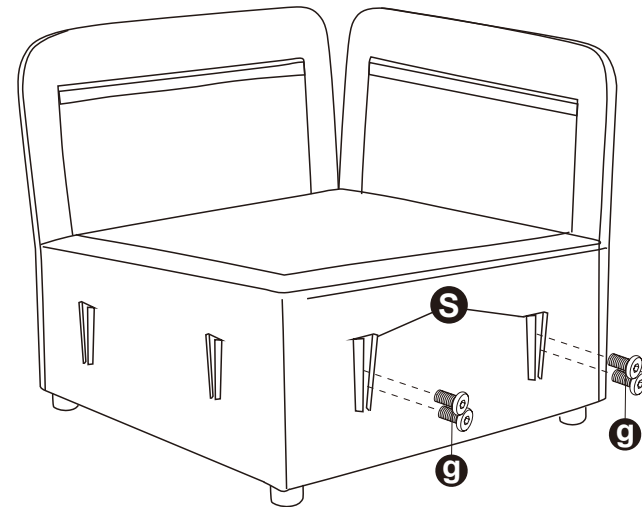
- k**  x8
- d**  x1
- e**  x8
- b**  x8
- E**  x1




### STEP 3



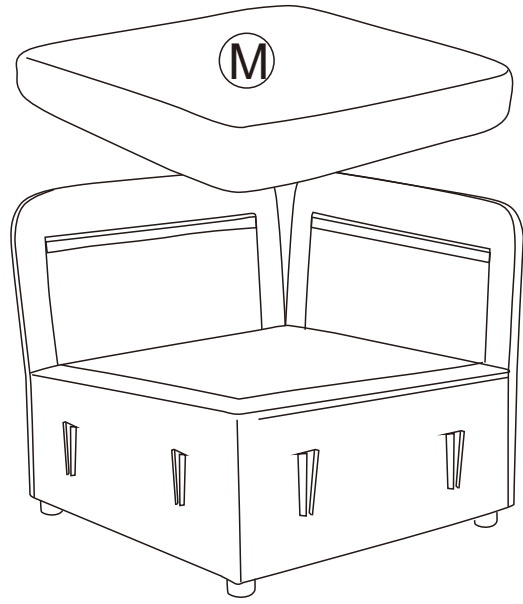
- z**  x4

### STEP 4

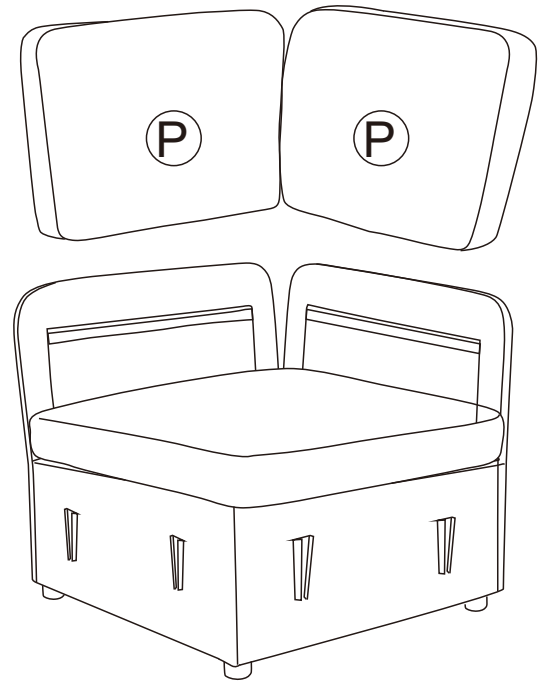


- f**  x1
- g**  x4  
M6x18mm
- s**  x2

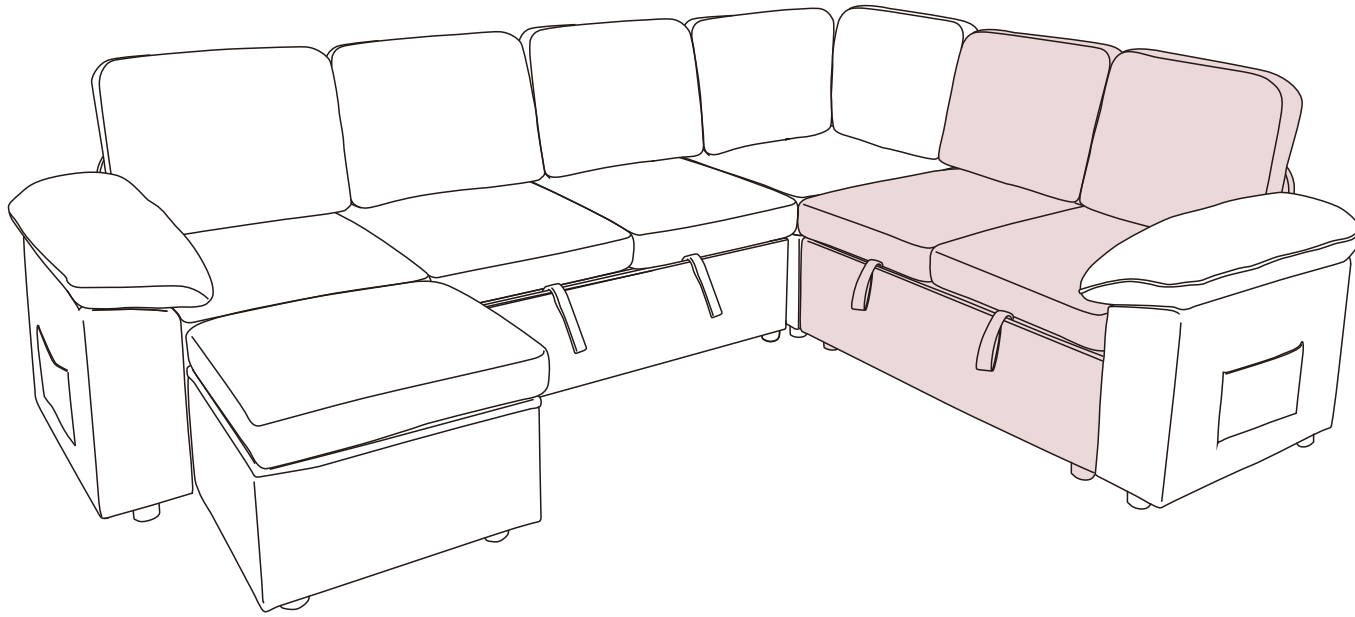
**STEP 5**



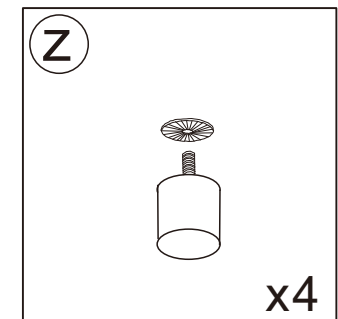
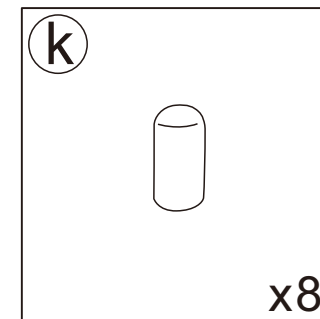
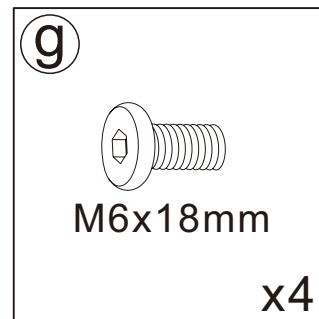
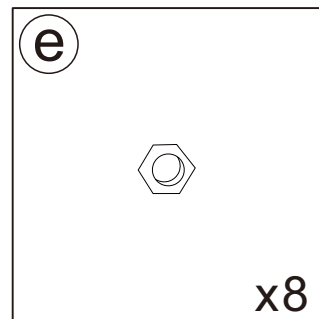
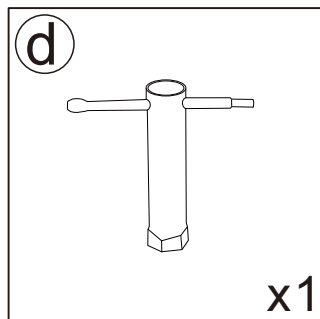
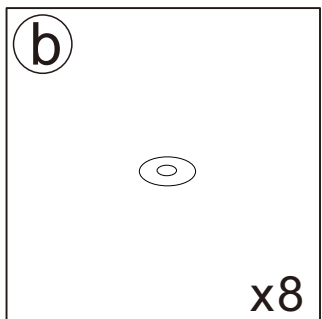
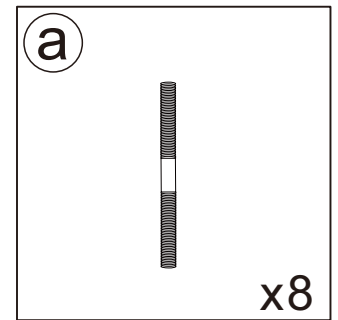
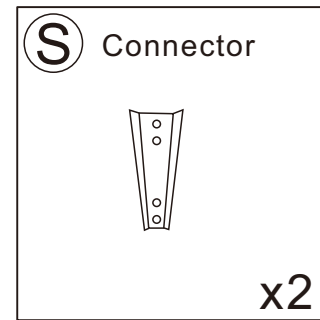
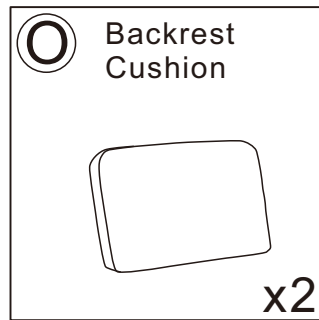
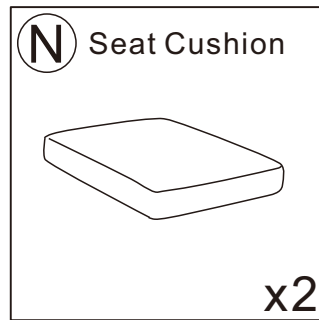
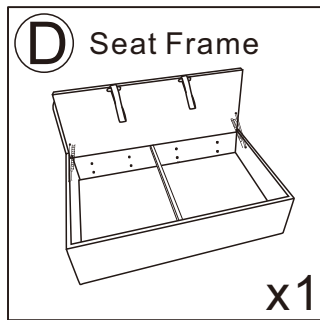
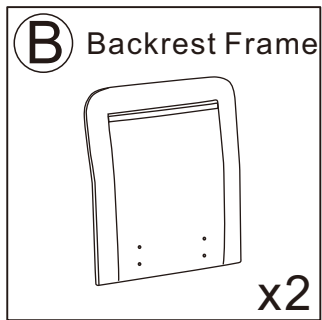
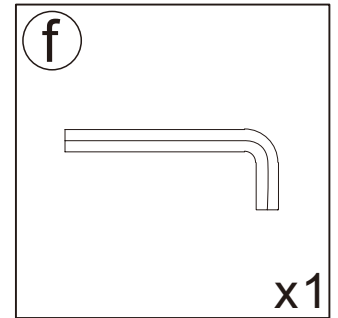
**STEP 6**



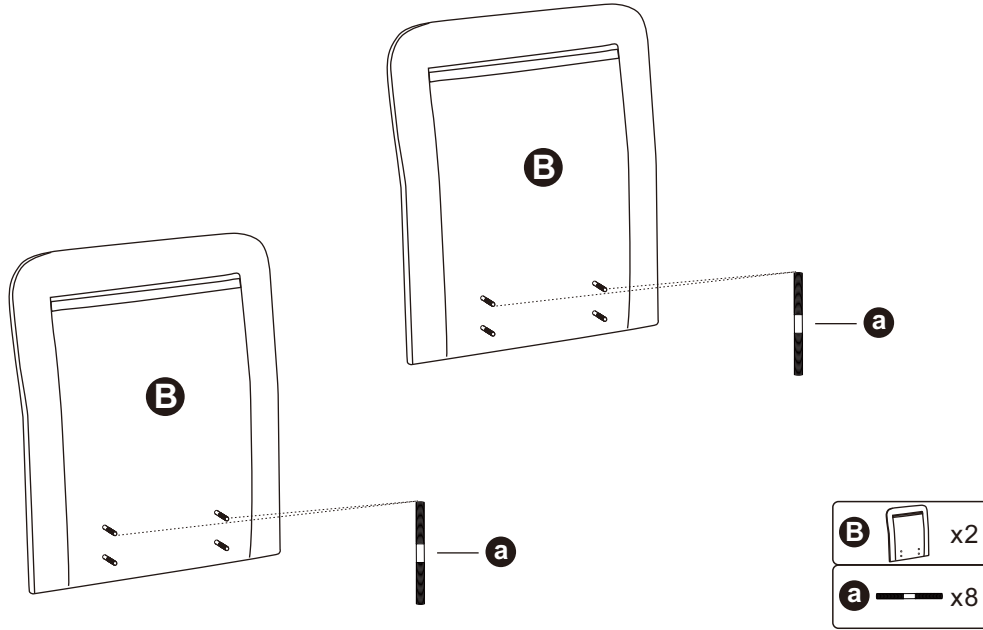
# BOX A



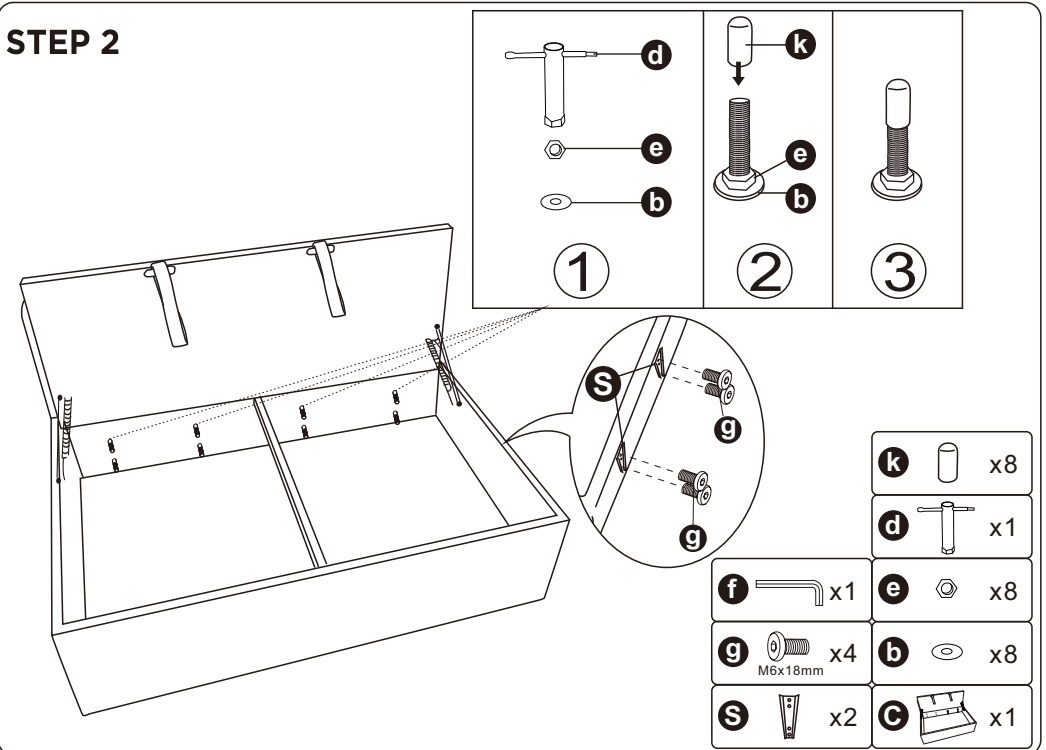
## Main structure accessories



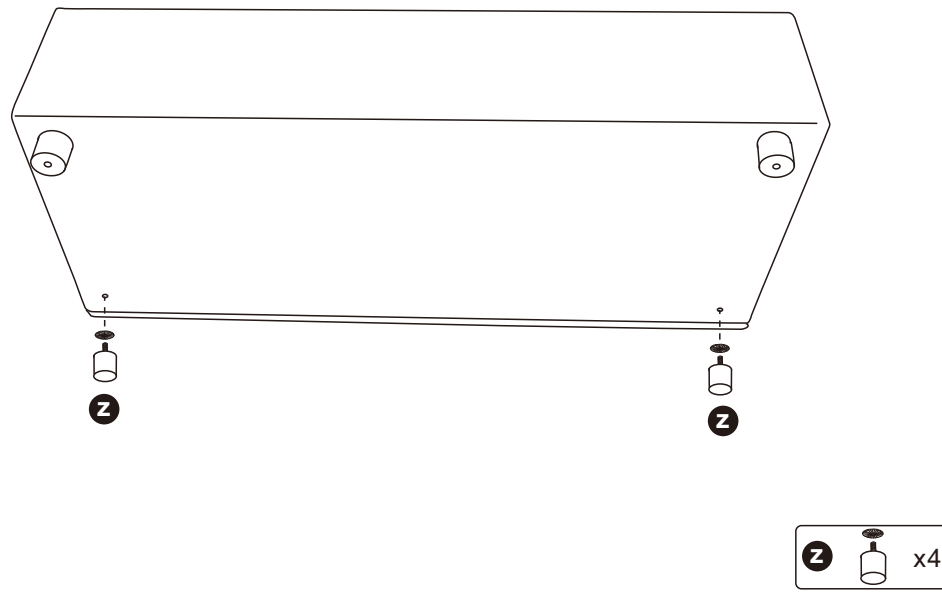
### STEP 1



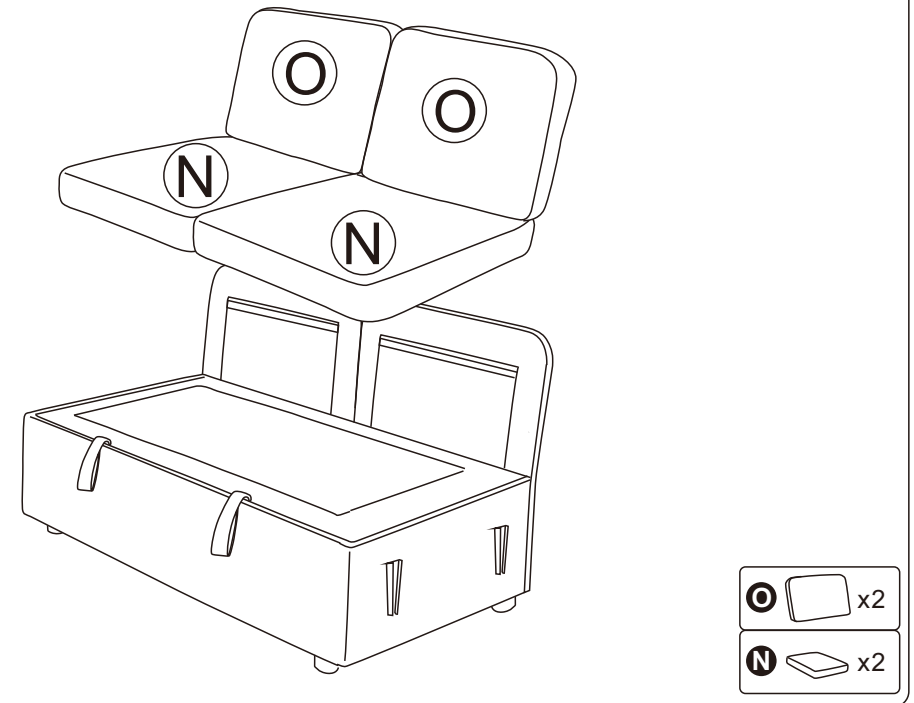
### STEP 2



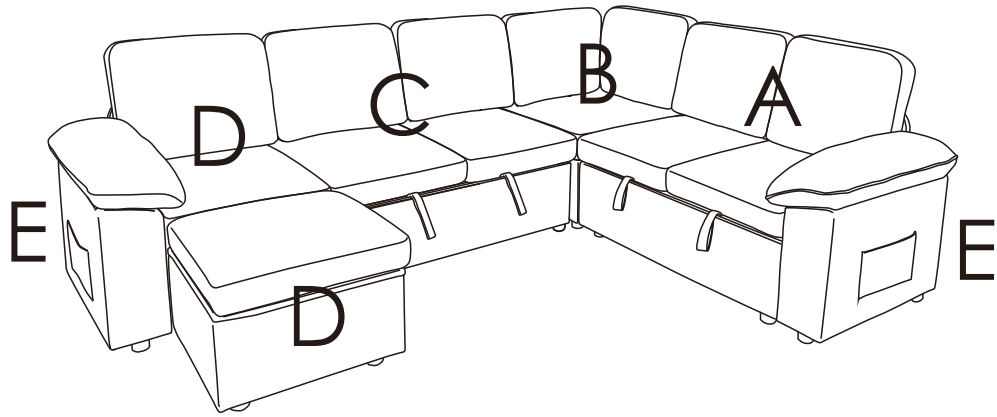
### STEP 3



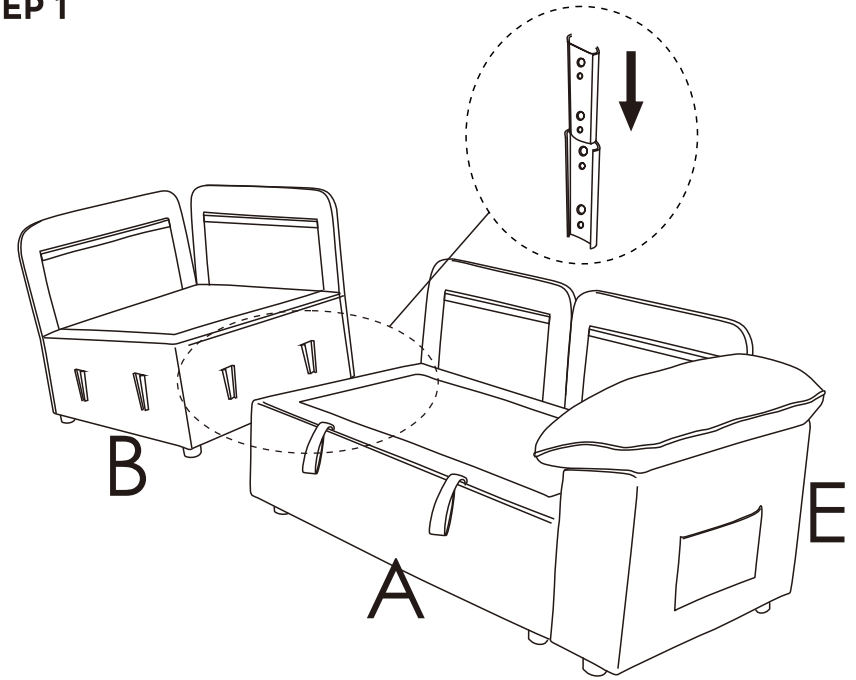
### STEP 4



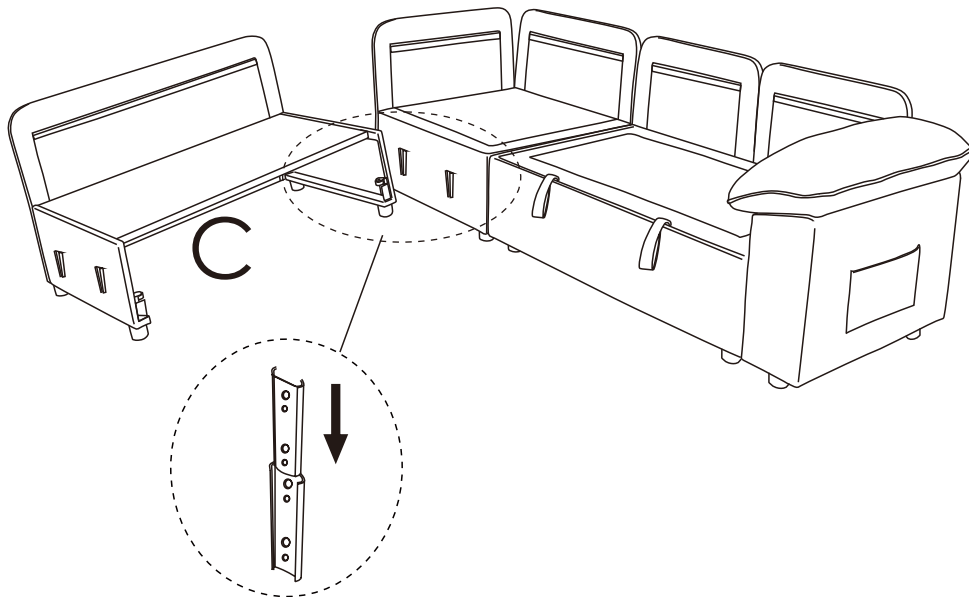
# Combine 7-Seat



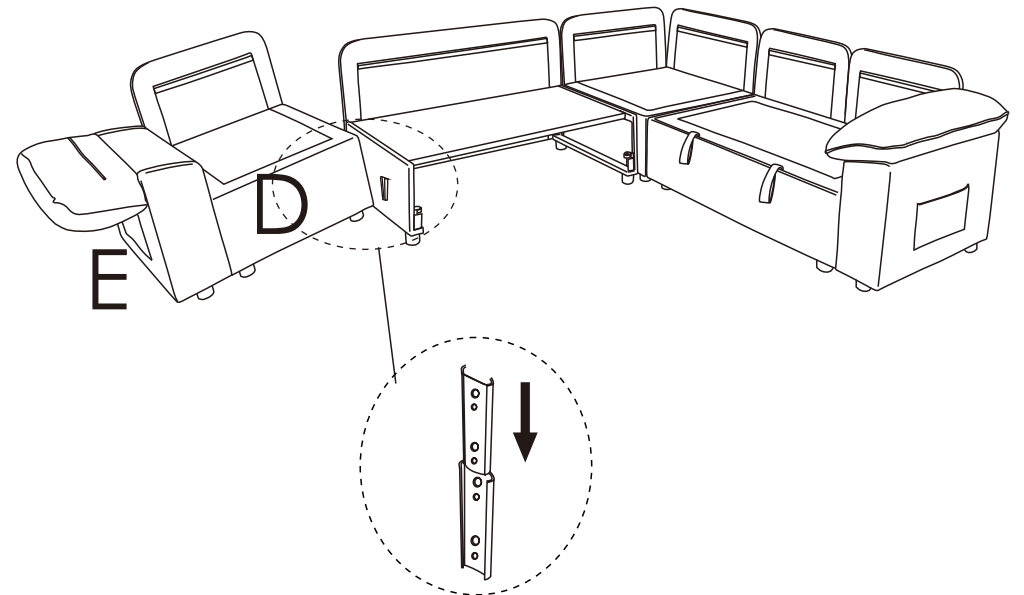
## STEP 1



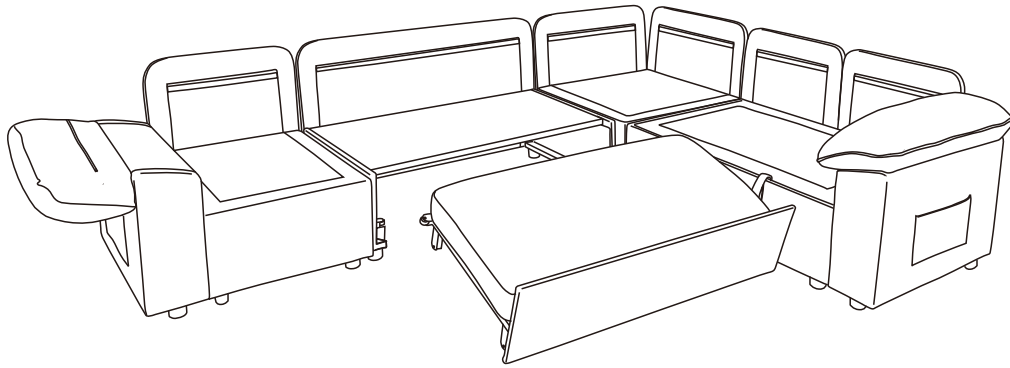
## STEP 2



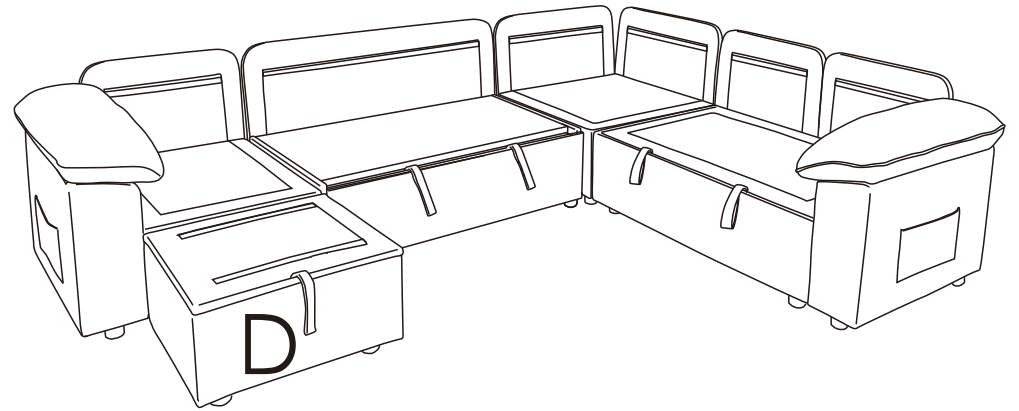
## STEP 3



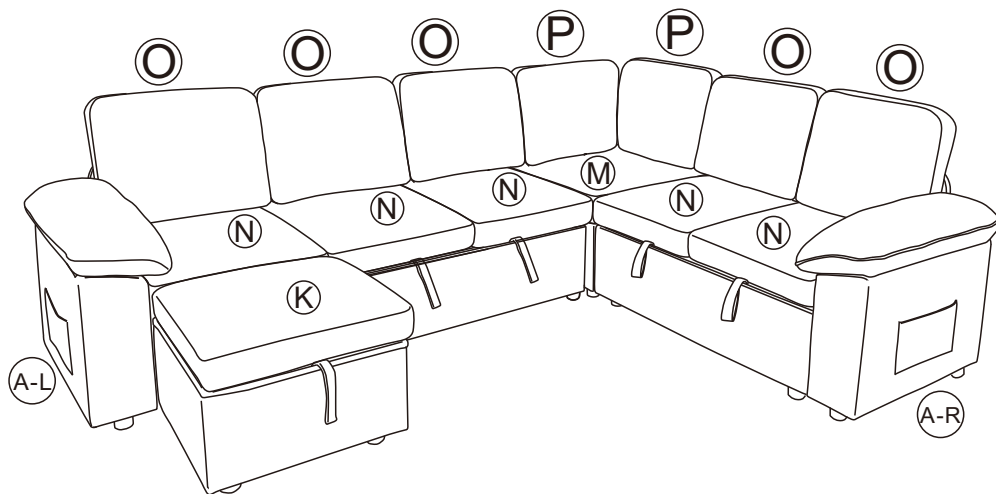
**STEP 4**



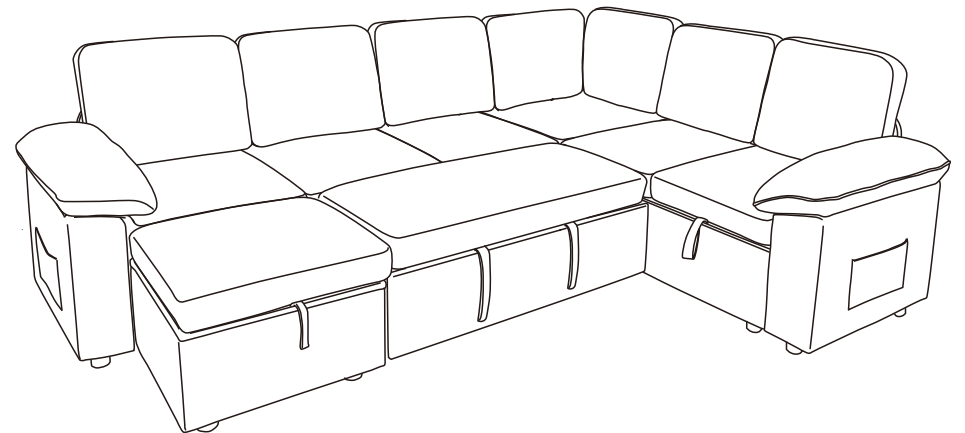
**STEP 5**



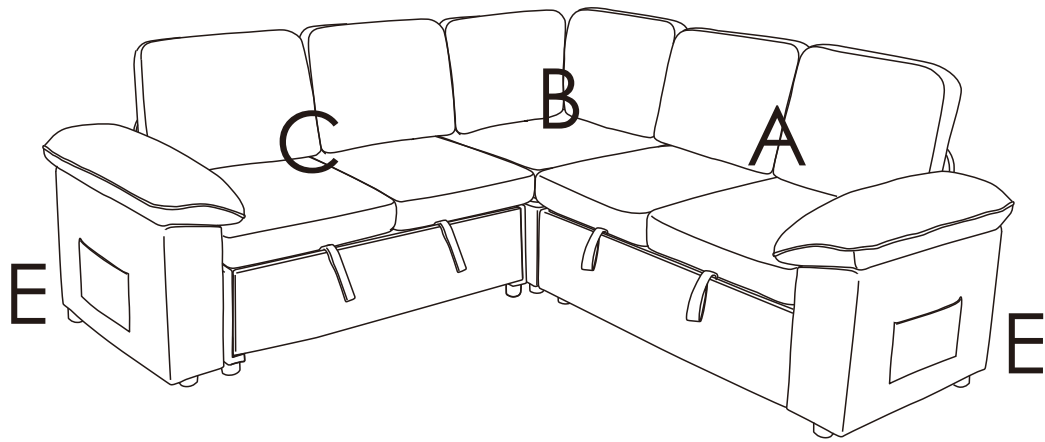
**STEP 6**



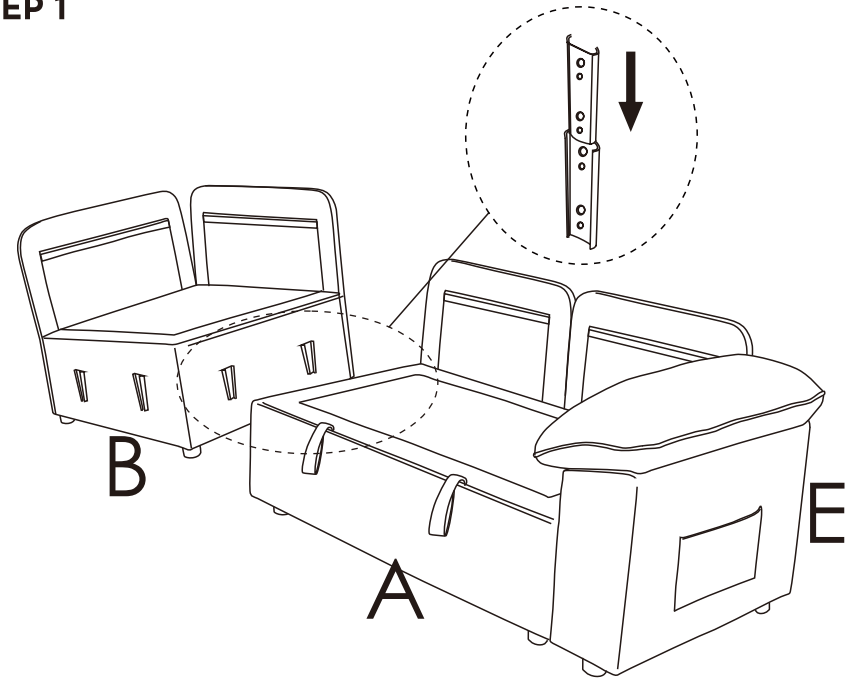
**STEP 7**



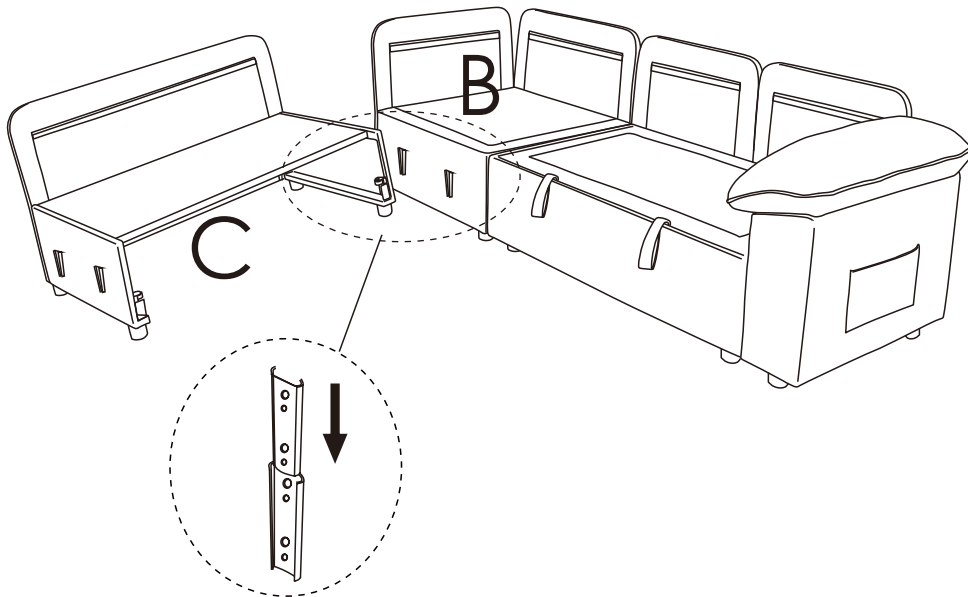
# Combine 5-Seat



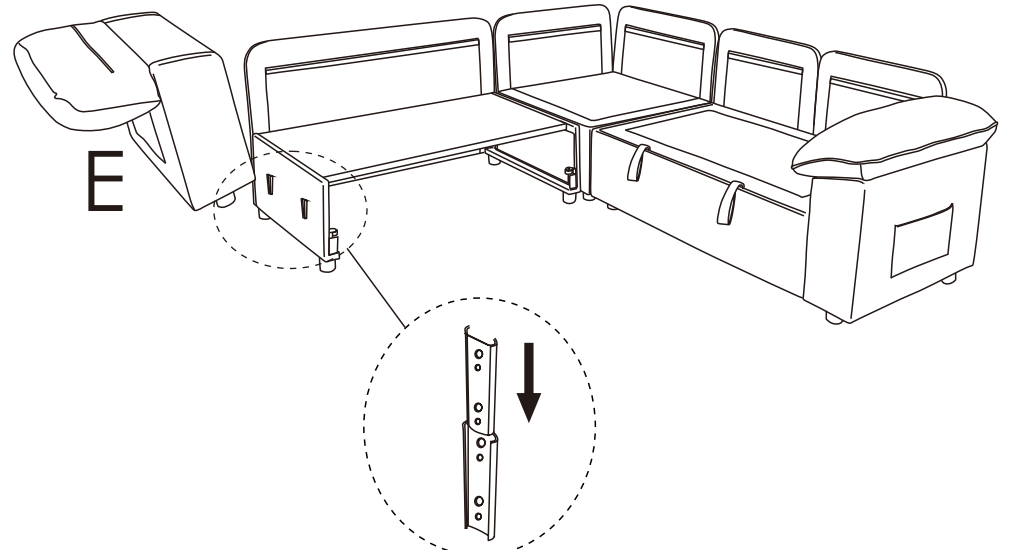
## STEP 1



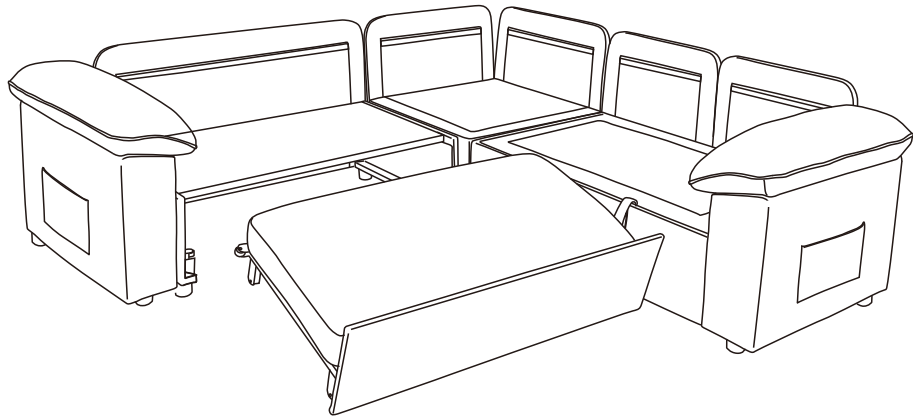
## STEP 2



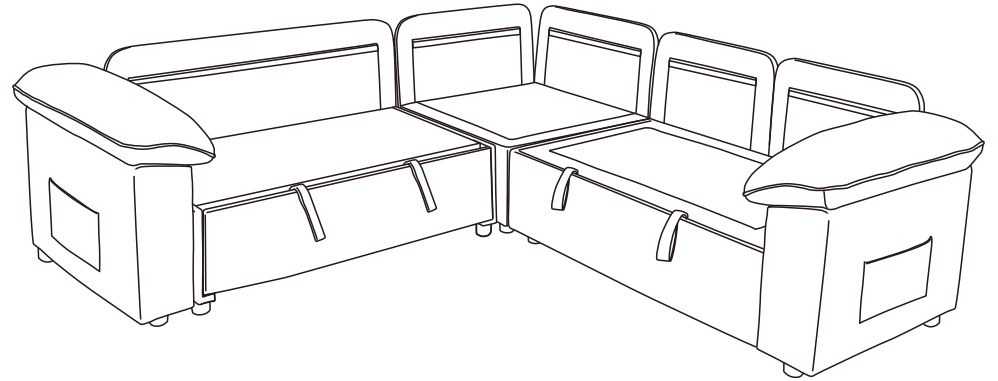
## STEP 3



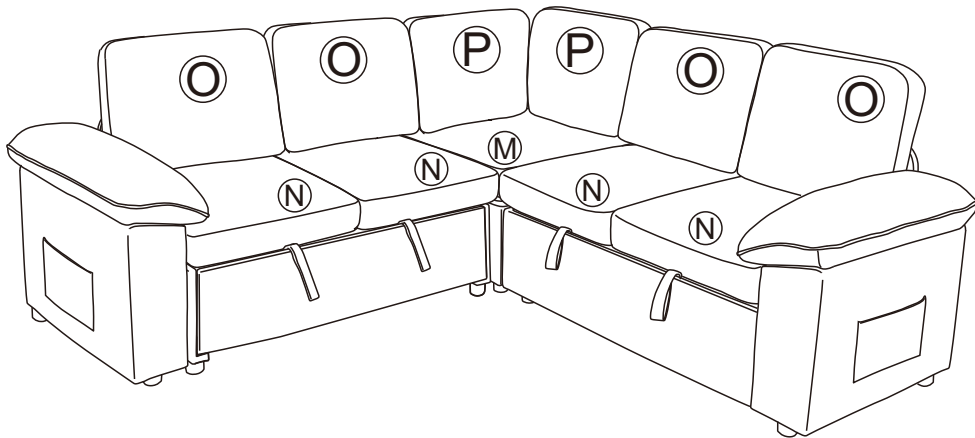
**STEP 4**



**STEP 5**



**STEP 6**



**STEP 7**

