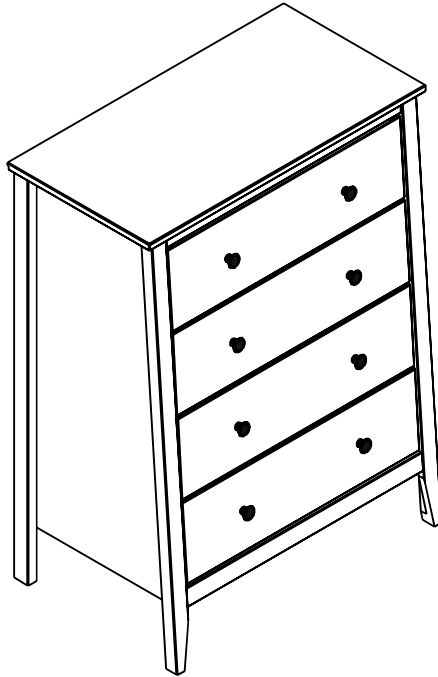


Jela - USA

ASSEMBLY INSTRUCTIONS

4 Drawers



CUSTOMER SERVICE AND REPLACEMENT PARTS:

FOR FASTER SERVICE ON PARTS, HELP OR FOR ASSEMBLY QUESTIONS, PLEASE GO TO OUR WEBSITE AT WWW.JELAUSA.COM OR EMAIL US AT CUSTOMERSERVICE@JELAUSA.COM;

MON-FRI, CLOSED HOLIDAYS

IF YOU EMAIL, PLEASE HAVE ON HAND:

- PRODUCT NAME AND STOCK NUMBER
- WHEN AND WHERE THE UNIT WAS PURCHASED
- P.O. NUMBER FROM THE BOTTOM OF THIS PAGE
- PLEASE PROVIDE YOUR NAME AND NUMBER

YOUR RETAILER MAY ALSO PROVIDE SERVICE OR PARTS.

HELPFUL OVERALL:

- SAVE THESE INSTRUCTION SHEETS AND THE BOX UNTIL YOU ARE SATISFIED WITH THE ASSEMBLY.
- DO NOT GLUE THE PARTS OF THE UNIT TOGETHER UNLESS YOU HAVE TESTED THE ASSEMBLY FIRST.
- PERFORM THE ASSEMBLY ON A CLEAN HARD SURFACE USING THE FLATTENED CARTON OR A TOWEL TO PROTECT THE SURFACE AND THE FINISH OF THE UNIT. DO NOT ASSEMBLE ON CARPET.

VISIT WWW.JELAUSA.COM TO REGISTER YOUR PRODUCT AND SEE THE COMPLETE JELA-USA LINE. REGISTRATION IS REQUIRED FOR PARTS REQUESTS.

THANK YOU FOR YOUR PURCHASE AND WELCOME TO JELA-USA!

NOTICE: THE WRITTEN INSTRUCTIONS CONTAINED HEREIN ARE COPYRIGHTED.  copyright all rights reserved

Many People, One Thought

PROVIDING QUALITY SOLID WOOD FURNITURE AT AN AFFORDABLE PRICE HAS BEEN A GROUP EFFORT. FROM CONCEPT TO PRODUCT DESIGN, MANUFACTURING AND RETAILING, EACH AREA FOCUSES ON THE DETAILS THAT WILL ASSURE YOU A LOW PRICE. BUT NEVER AT THE EXPENSE OF FUNCTION, STYLING, OR GOOD SENSE.

A "READY - TO - ASSEMBLE" ITEM REDUCES TRANSPORTATION AND WAREHOUSING COSTS WHICH HELP YOUR RETAILER KEEP THEIR PRICES REASONABLE. NOW, YOU ARE JOINING "TEAM *Jela*" WITH THE FINAL STEP, ASSEMBLY.

• YOU ASSEMBLE, YOU SAVE •



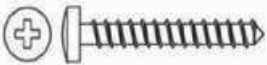
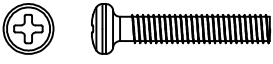




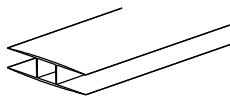
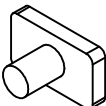
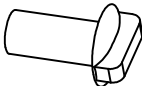


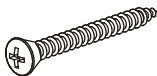
WELCOME TO JELA-USA!

This is a SOLID WOOD product:

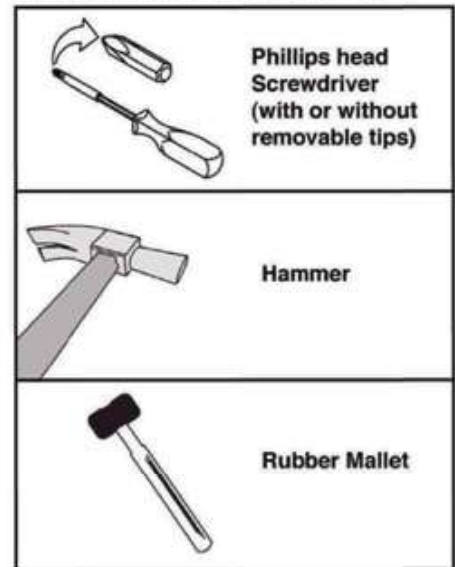
We inspect all wood, and follow guidelines to pass quality inspections. Solid wood furniture has knots, small cracks, and what may look like blemishes. These characteristics are a natural by product of producing furniture from natural material.

We take extra care with our drawer parts:

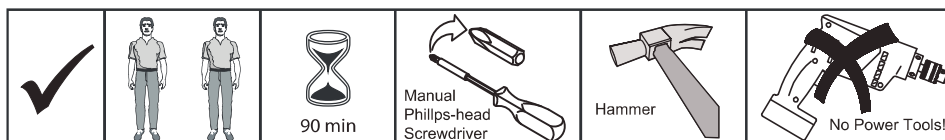
1. We use real wood drawers sides.
2. The drawer sides are not painted to help protect your clothes from chemical odors and residue.
3. Finely sanded drawer parts eliminate snags when storing your clothes.

A		Dowel 8.0 x 30mm	26
B		Screw 3.5 x 30 mm	19
C		Screw 4 x 20mm	24
D		Screw M4 x 22mm	08
E		Knob	08
F		Nail 1.5 x 19mm	28
G		Dowel 10 x 20mm	16
H		Screw 3 x 30mm	32
I			01
J			08
K			08
L			02
M			01
N		3.5 x 35mm	12

These tools are not supplied by the manufacturer



These tools are not supplied by the manufacturer

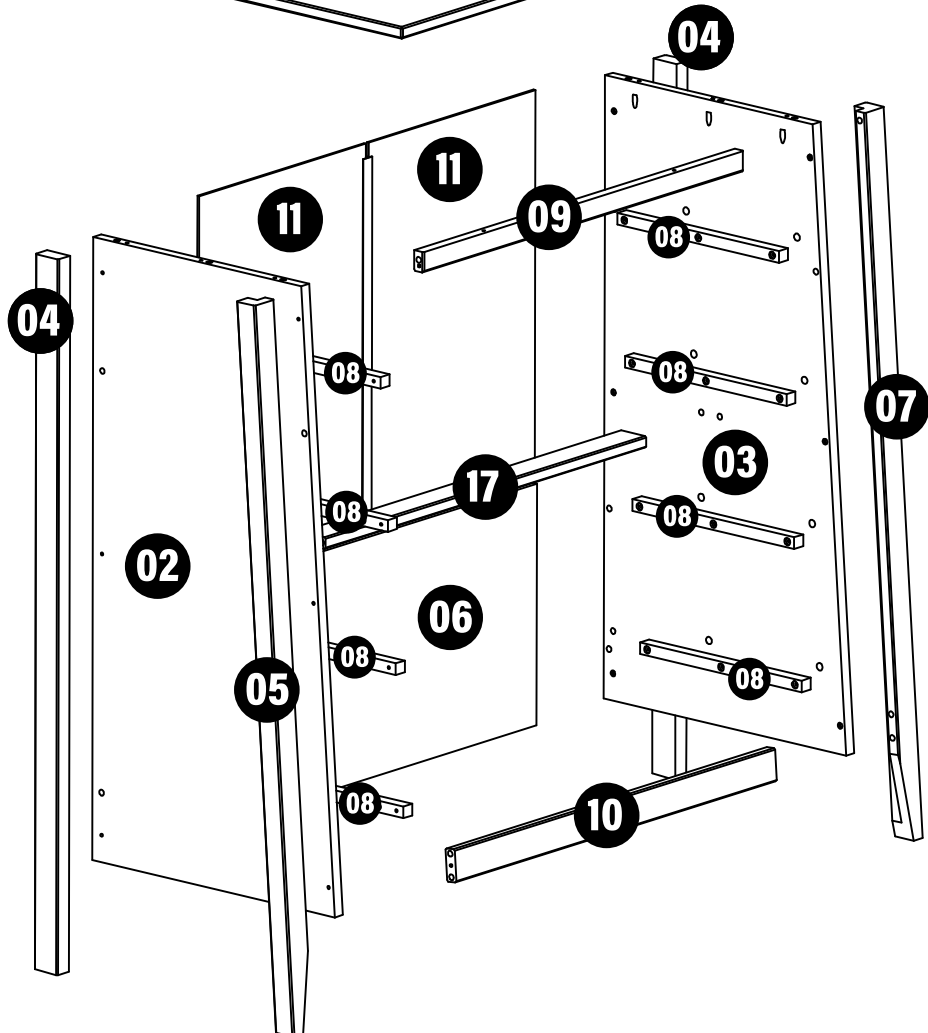
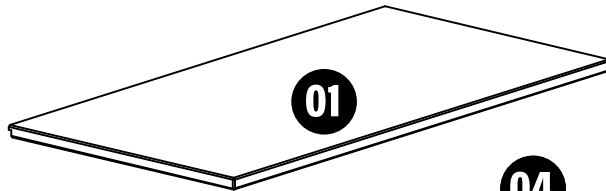
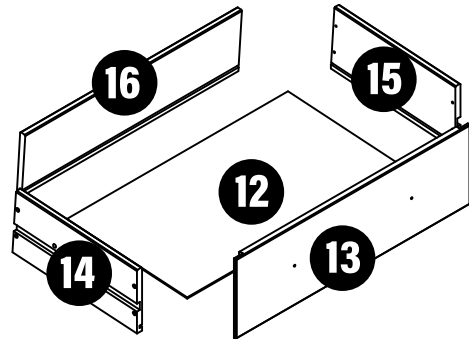


1	TOP
2	LEFT SIDE
3	RIGHT SIDE
4	BACK FEET
5	LEFT FRONT FEET
6	BACK PANEL
7	RIGHT FRONT FEET
8	DRAWER RUNNER
9	TOP CROSSBAR
10	CROSSBAR
11	BOTTOM
12	DRAWER BOTTOM
13	DRAWER FRONT
14	LEFT DRAWER SIDE
15	RIGHT DRAWER SIDE
16	DRAWER BACK
17	CENTER CROSSBAR

RIGHT SIDE PANEL

TIP: DOWELS (PART A) VARY EVER SO SLIGHTLY.
IF A DOWEL (PART A) IS LOOSE
WE PREFER YOU EMAIL US FOR ADDITIONAL DOWELS
- VS GLUING THE DOWEL.

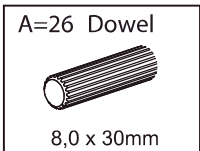
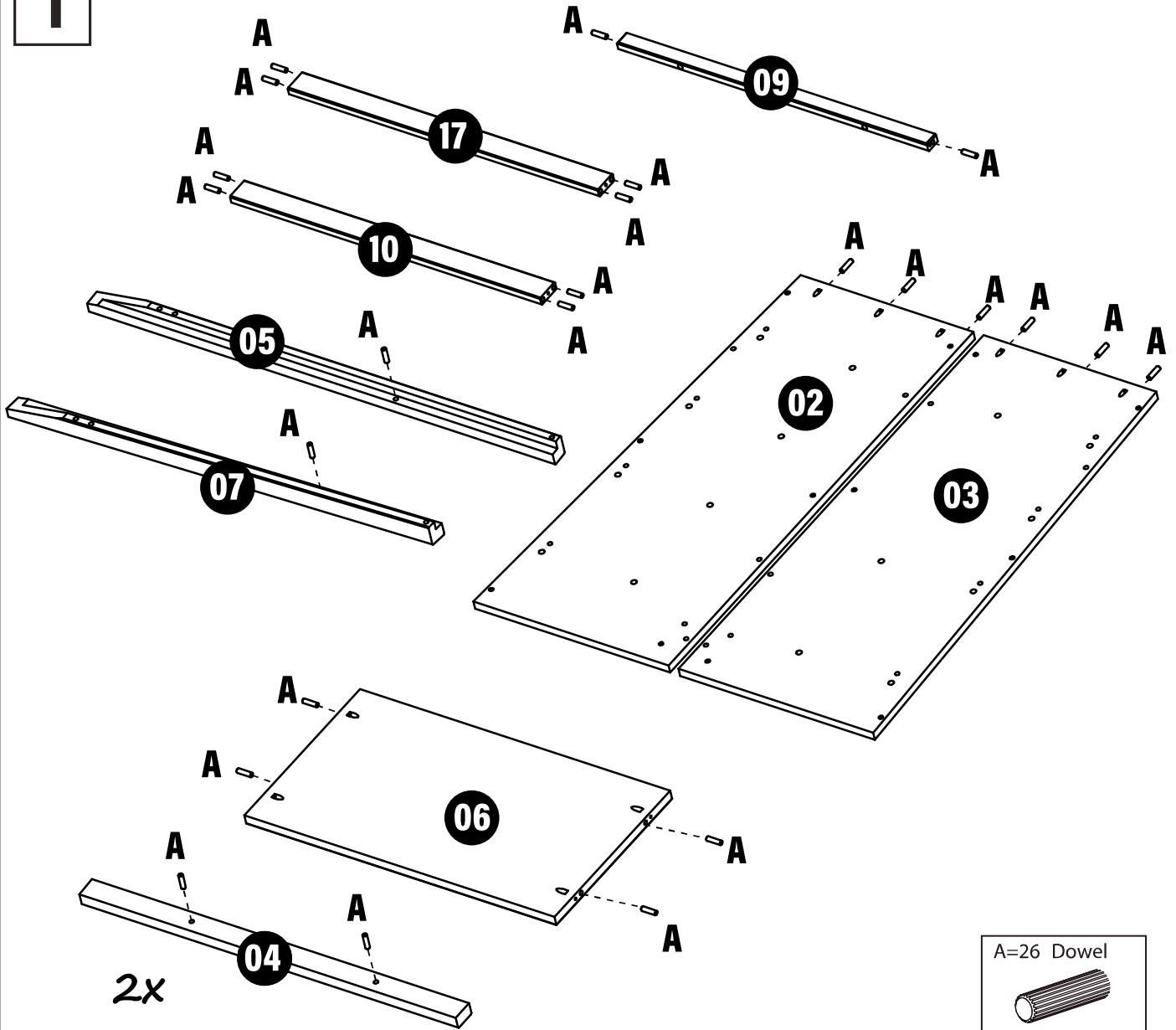
IF YOU CHOOSE TO GLUE THE PARTS,
COMPLETELY TEST THE ASSEMBLY FIRST.
WE DO NOT SUPPLY GLUE.



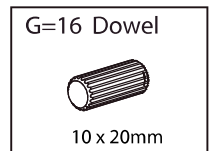
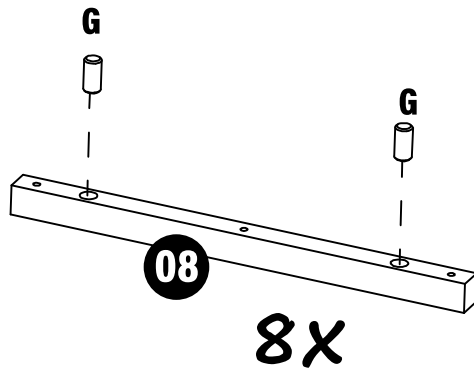
The side drawer with
WARNING LABEL,
should be mounted in
highest drawer.

▲ WARNING	
	<p>Children have died from furniture tipover. To reduce the risk of furniture tipover:</p> <ul style="list-style-type: none"> • ALWAYS install tipover restraint provided. • NEVER put a TV on this product. • NEVER allow children to stand, climb or hang on drawers, doors, or shelves.
	<ul style="list-style-type: none"> • NEVER open more than one drawer at a time. • Place heaviest items in the lowest drawers. <p><i>This is a permanent label. Do not remove!</i></p>

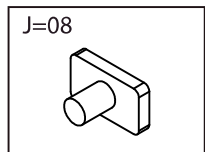
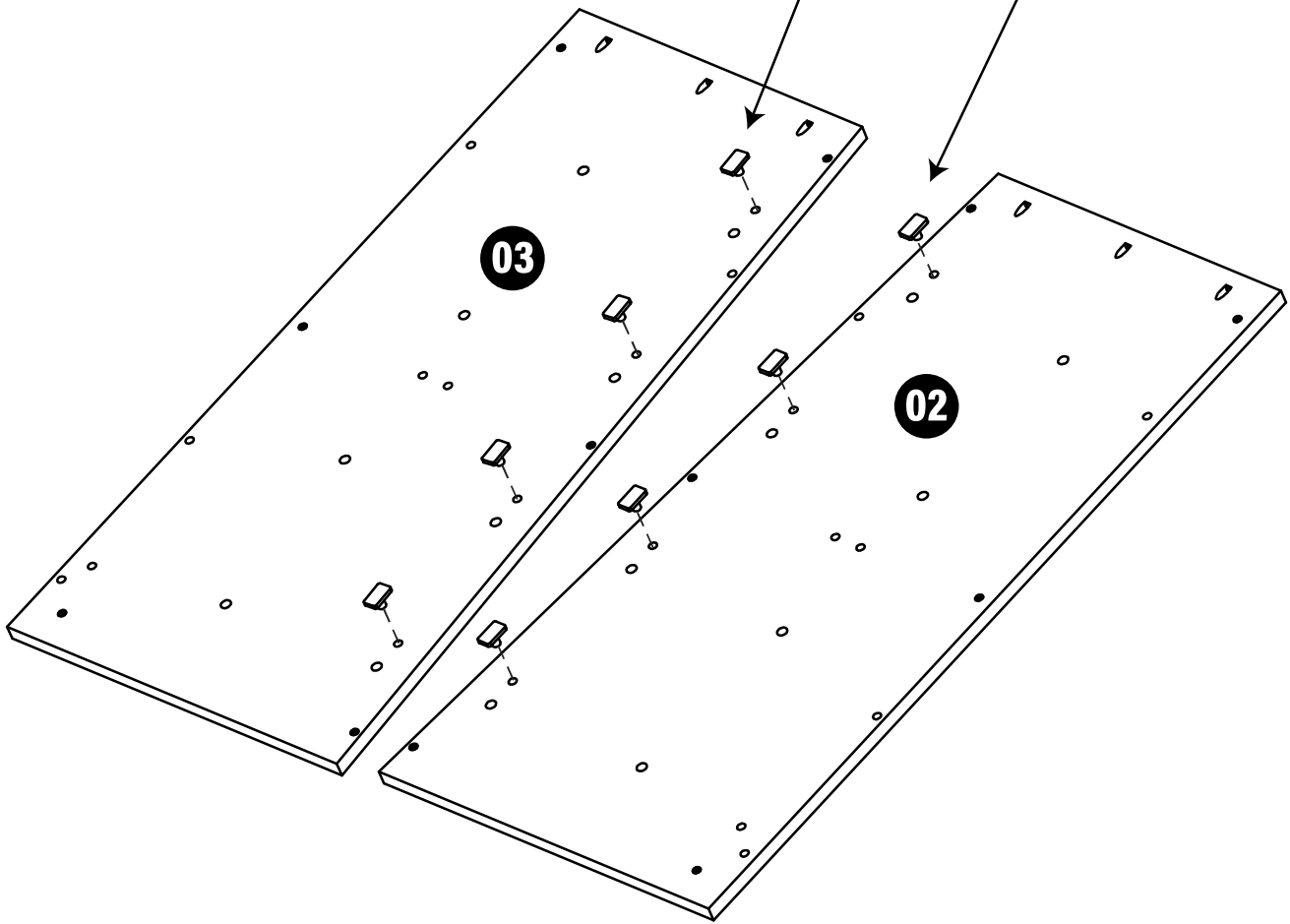
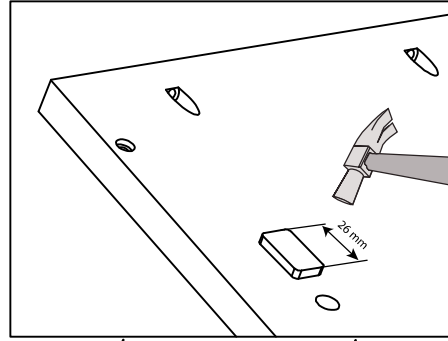
1



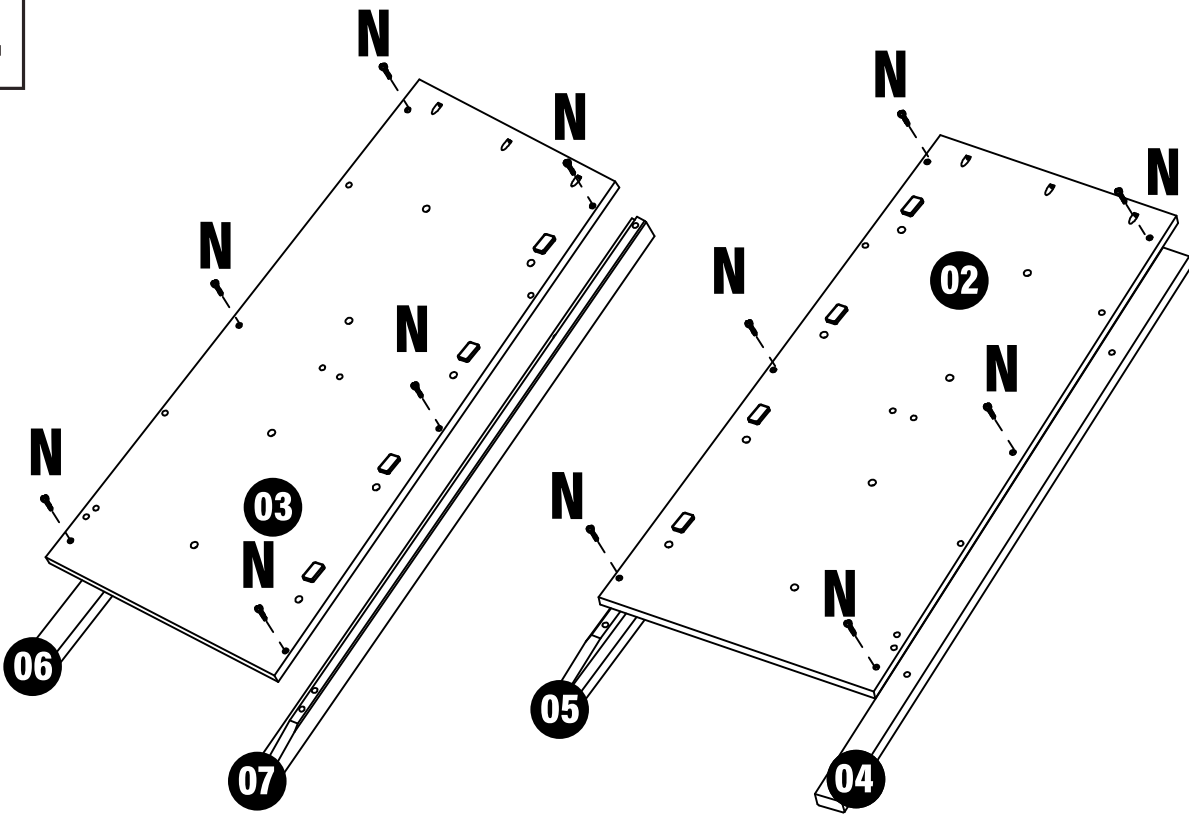
2



3



4



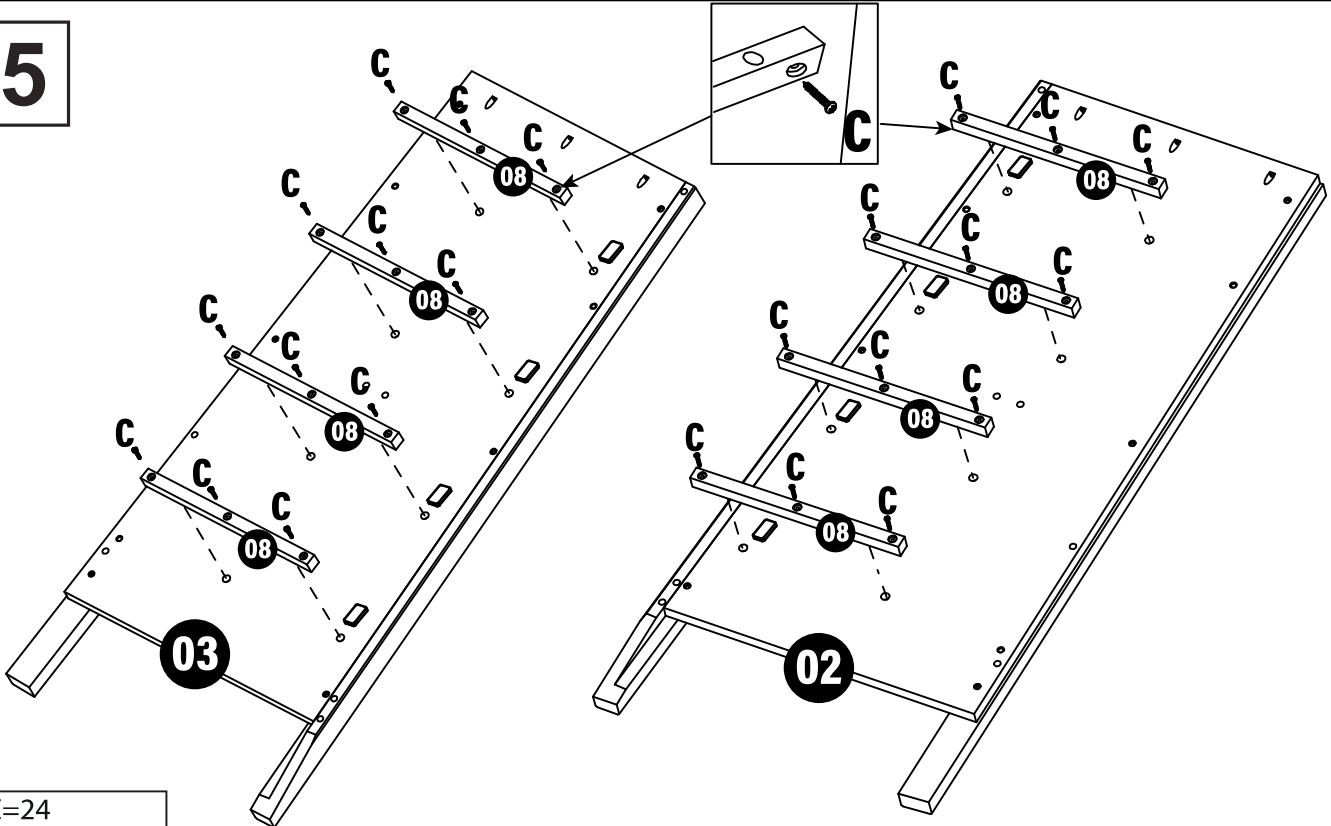
N=12



Screw

3.5 x 35mm

5



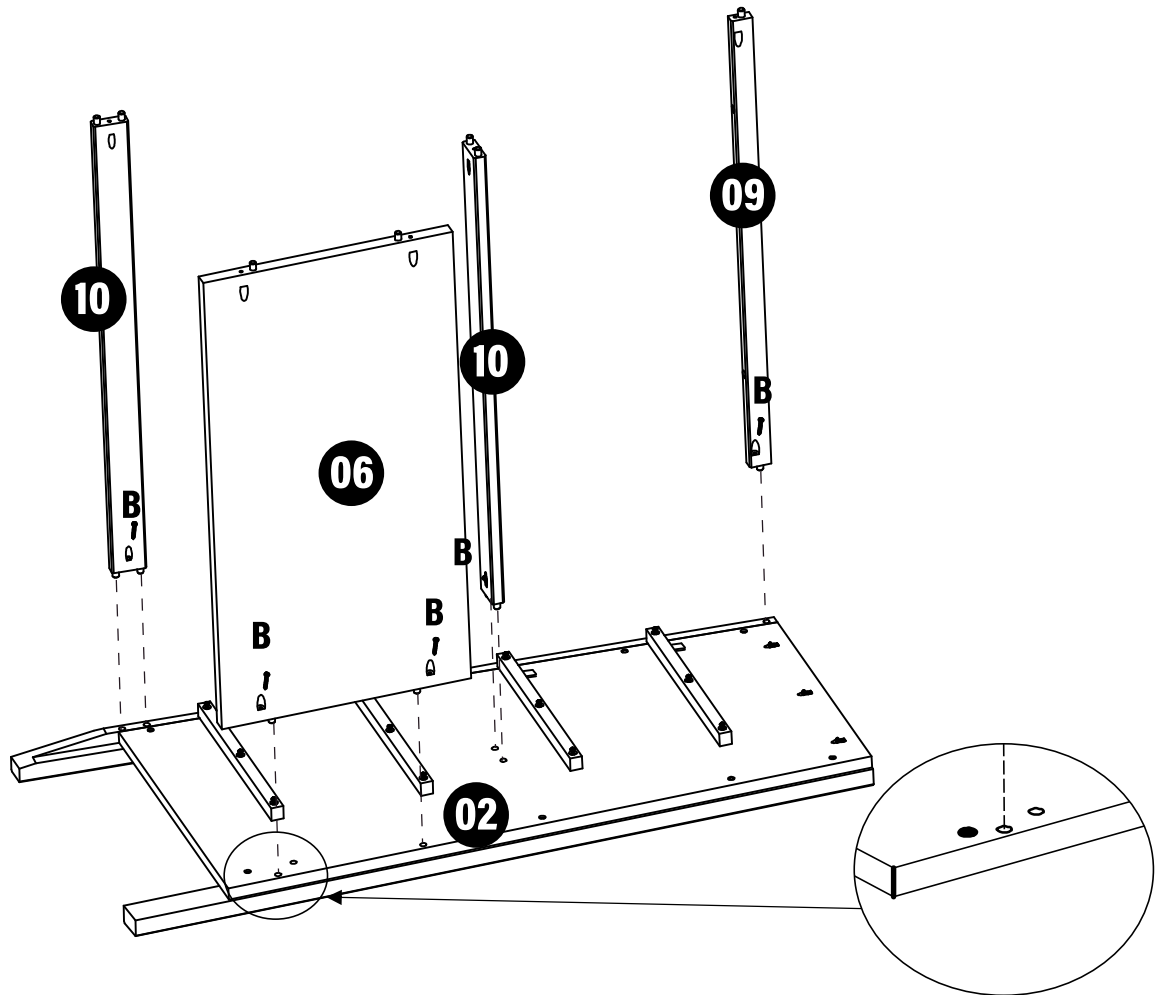
C=24



Screw

4 x 20mm

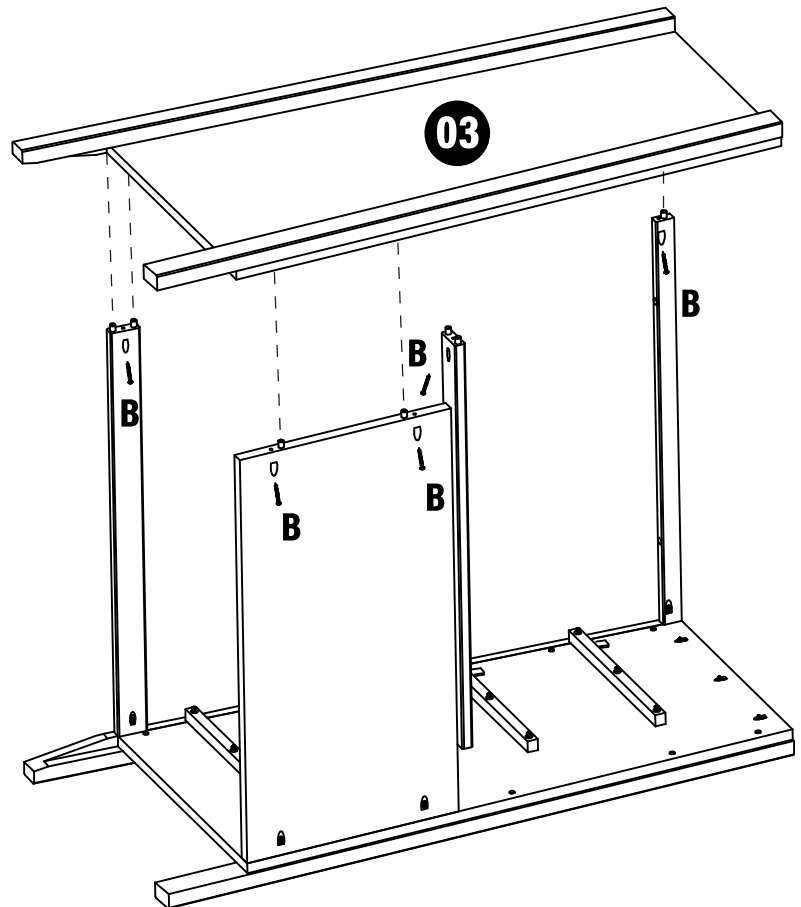
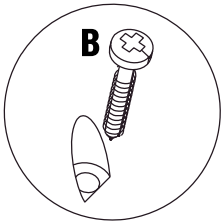
6



B=05



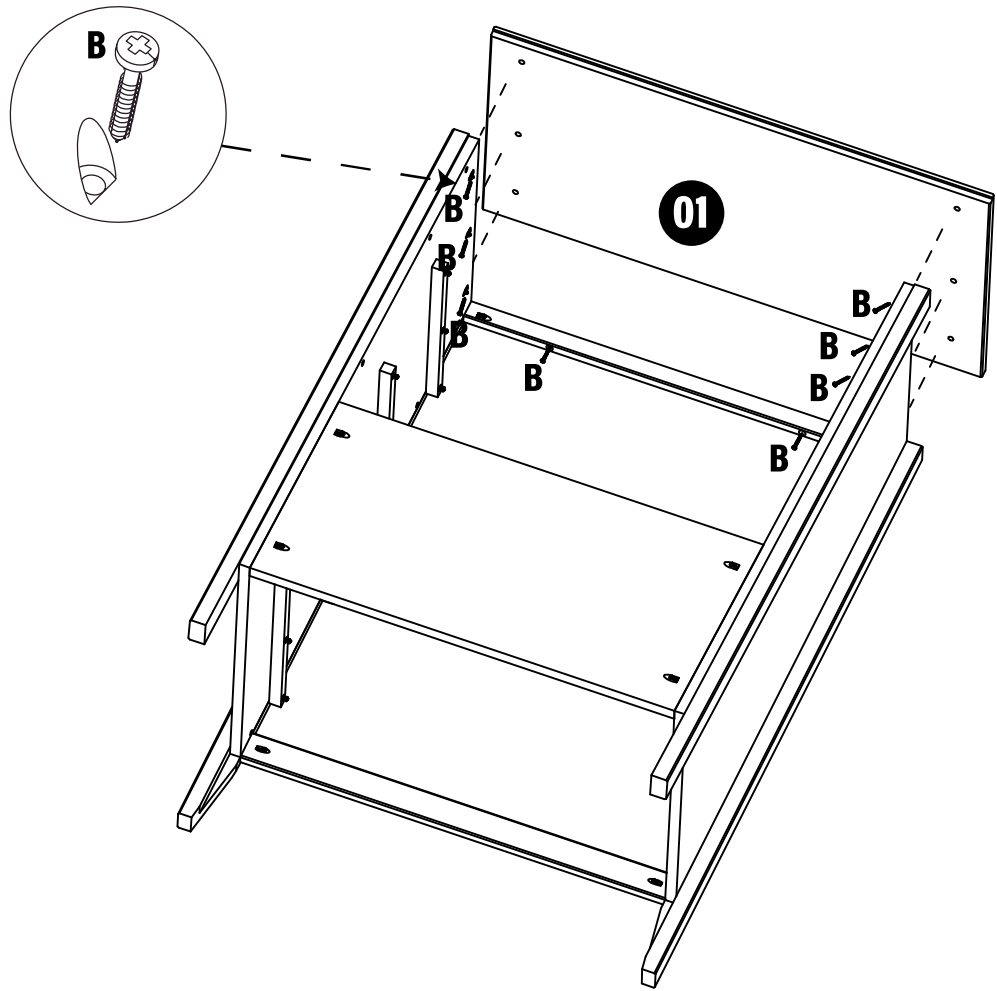
7



B=05



8



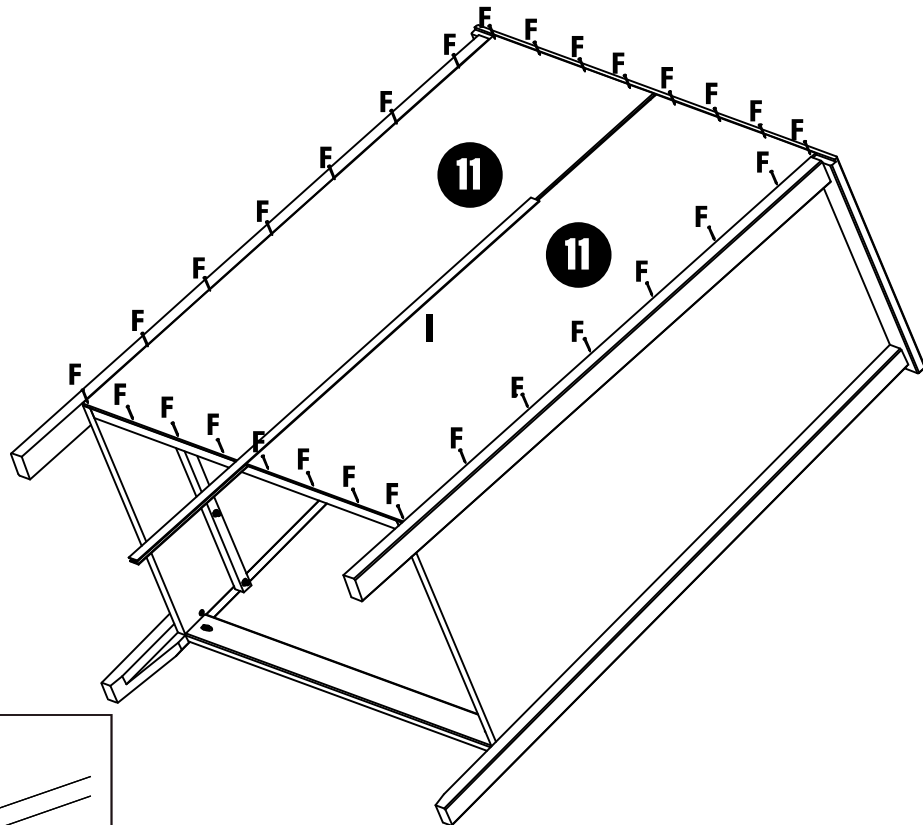
B=08



Screw

3,5 x 30mm

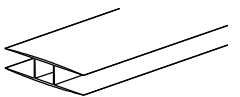
9



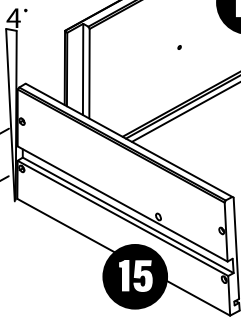
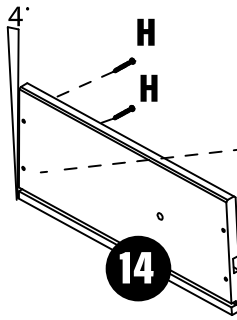
F=28 Nail



I=01



10

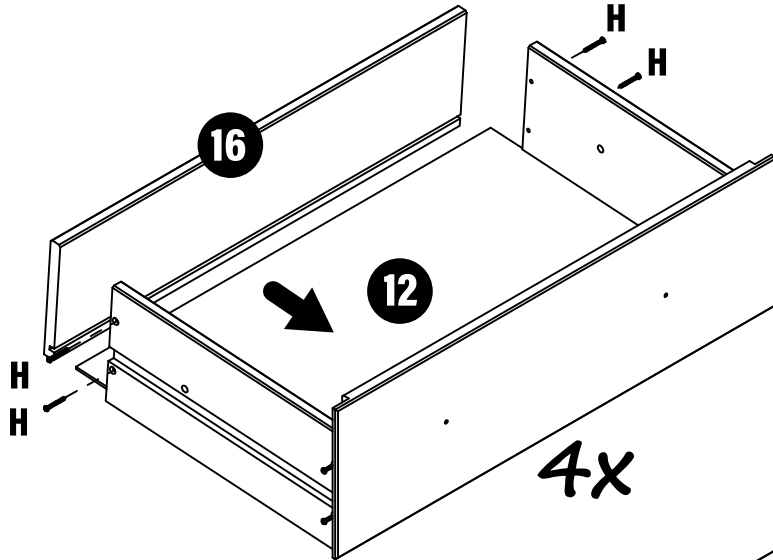
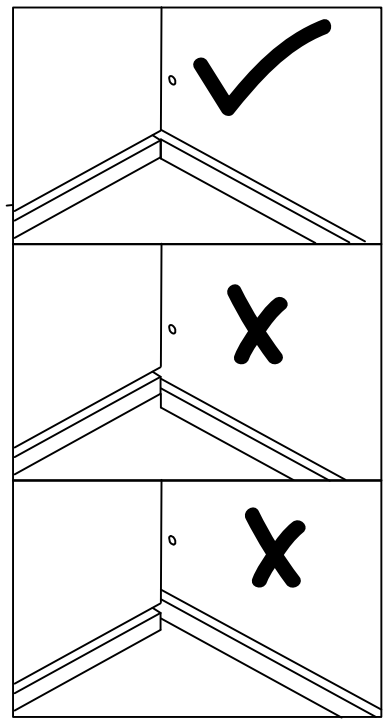


13

14

15

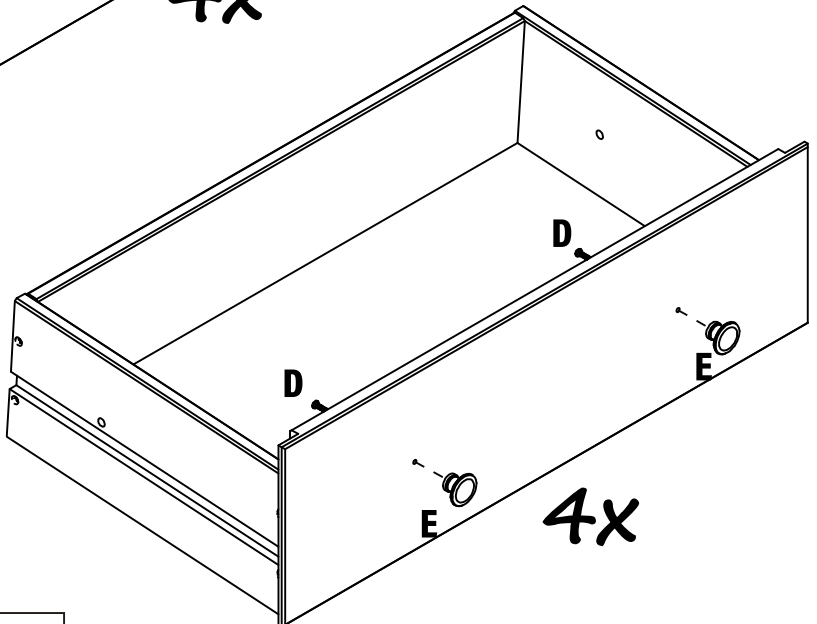
4x



16

12

4x



4x

H=32

D=8

E=8



Screw

3 x 30mm

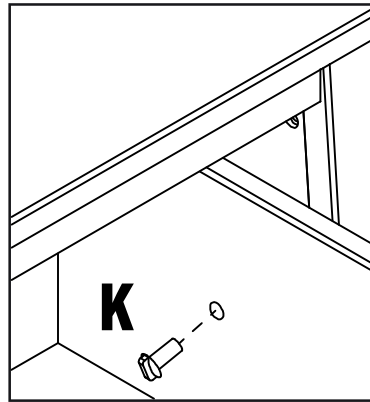
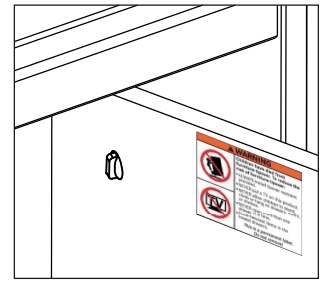


Screw

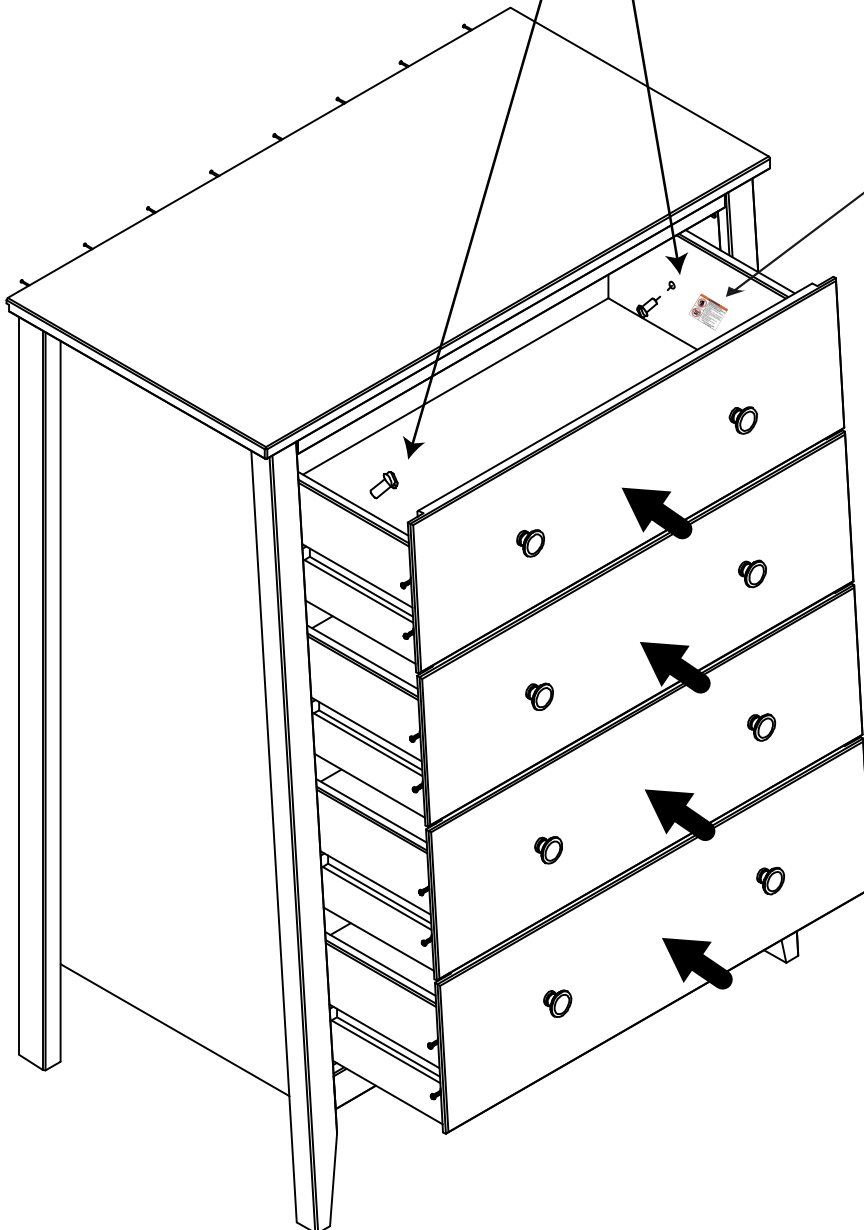
4 x 22 mm



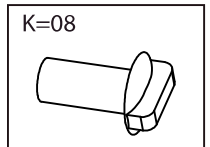
Knob



The assembled drawer with this warning must be placed on top of the unit.



⚠ WARNING	
	<p>Children have died from furniture tipover. To reduce the risk of furniture tipover:</p> <ul style="list-style-type: none"> • ALWAYS install tipover restraint provided. • NEVER put a TV on this product. • NEVER allow children to stand, climb or hang on drawers, doors, or shelves. • NEVER open more than one drawer at a time. • Place heaviest items in the lowest drawers. <p><i>This is a permanent label. Do not remove!</i></p>

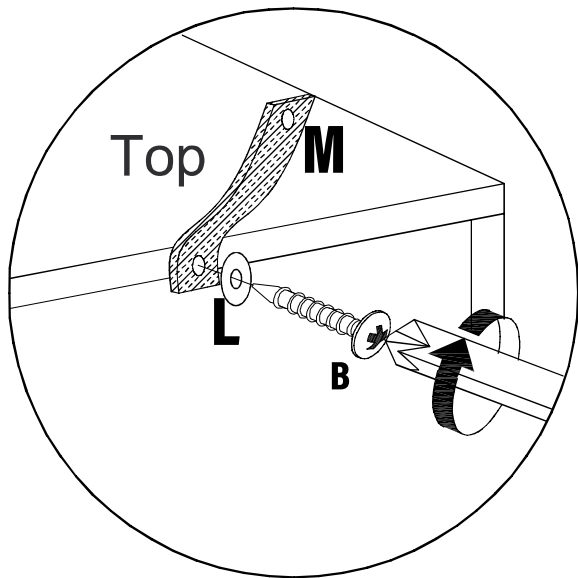





WARNING

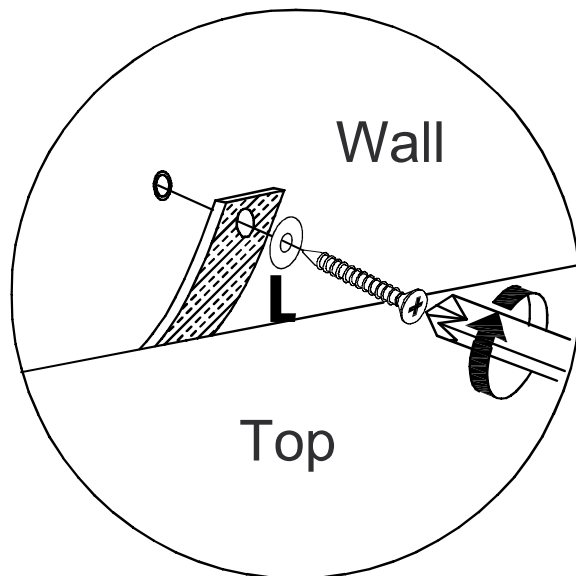
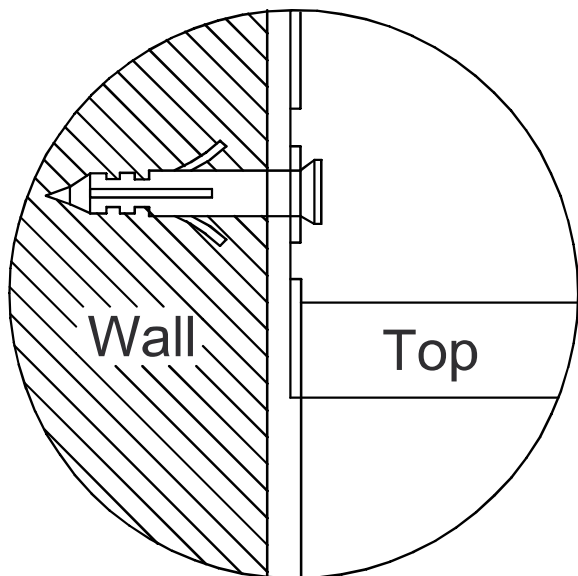
Serious or fatal injuries can occur from furniture tipping over. To prevent the furniture from tipping over we recommend that it is permanently fixed to the wall.

Wall fixings are not supplied with this product as different wall materials require different types of fixing devices.

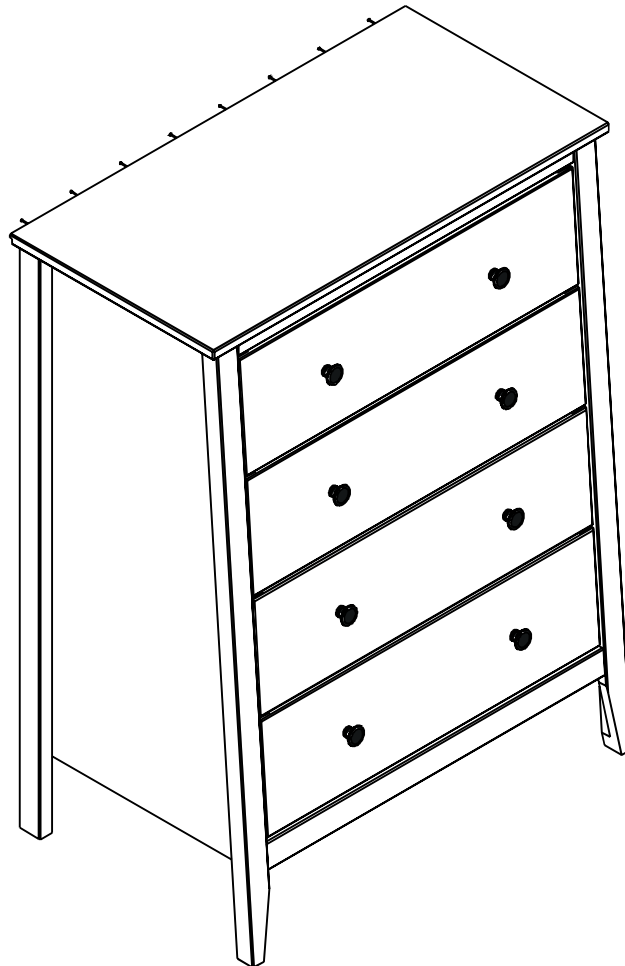
Please make sure you use fixings suitable for the walls in your home.



B=01
 Screw 3,5 x 30mm
L=02
 Washer
M=02
 Strap



**COMPLETED ASSEMBLY:
THANK YOU FOR YOUR PURCHASE, AND WELCOME TO JELA-USA!**



USE AND CARE INSTRUCTIONS:

CARE INSTRUCTIONS:

NORMAL USE: WIPE WITH A CLEAN CLOTH

WHEN NEEDED TO CLEAN SCUFFS: WIPE CLEAN WITH A SLIGHTLY DAMP CLOTH AND A MILD CLEANER. THEN WIPE DRY WITH A CLEAN CLOTH.

IF YOU OIL OR WAX THIS FURNITURE, IT WILL MORE QUICKLY DEVELOP A PATINA AND DARKEN

USE:

MULT-PURPOSE MOBILE STORAGE UNIT FOR HOME, OFFICE, CRAFT ROOM, KITCHEN, OR GARAGE.