

PARTS LIST

A*1



B*1



C*1



D*2

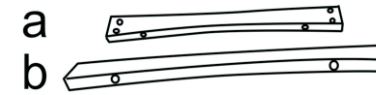


Left arm



Right arm

E*2



NOTE:

This brochure contains IMPORTANT safety info. Please read and keep for future reference.

HARDWARE LIST

F*12

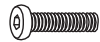


G*4



M6x40mm

H*8



M6x55mm

I*4



M6x65mm

K*12



L*1



SPARE

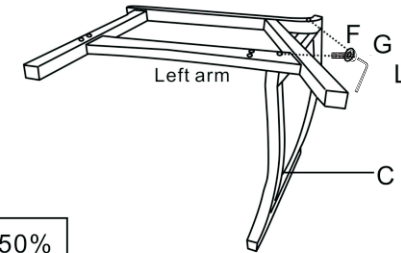
J*4



The foot pad is to protect the floor and resists slip.

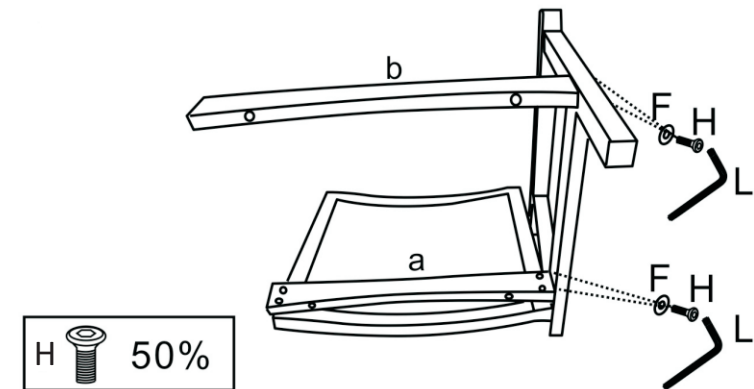
ASSEMBLY INSTRUCTIONS

STEP:1



Don't fasten any bolt until all bolts connected properly and position aligned correctly.

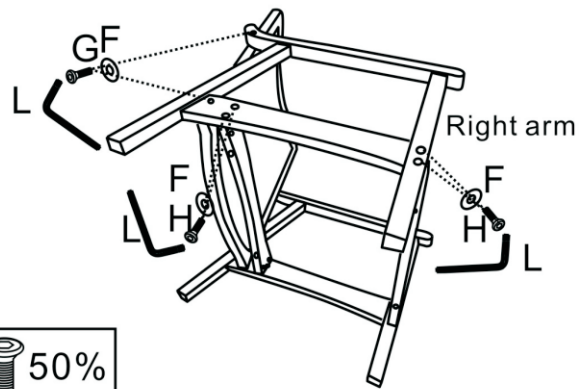
STEP:2



Don't fasten any bolt until all bolts connected properly and position aligned correctly.

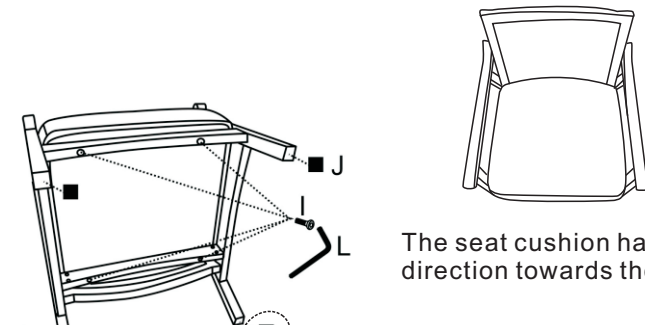
STEP:3

Don't fasten any bolt until all bolts connected properly and position aligned correctly.



G H 50%

STEP:5



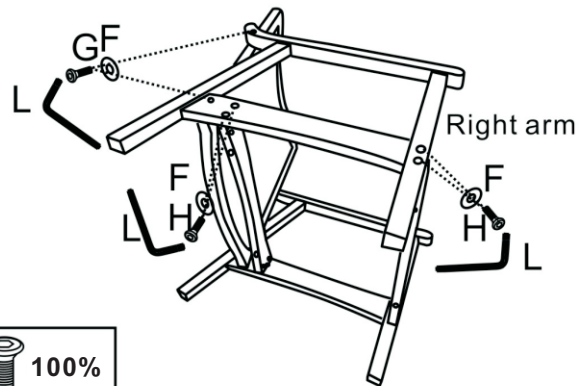
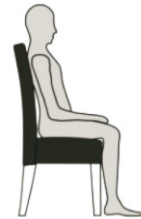
I 100%

Put the foot pads(J) on the leg

The seat cushion has a curved direction towards the back

STEP:4

Make sure the four legs are **aligned** to the floor and steady

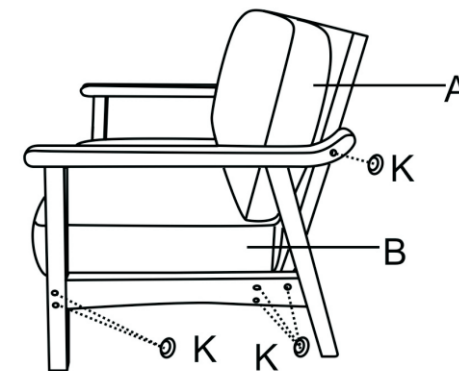


G H 100%

Fasten all bolt G and H

STEP:6

Put the backrest(A) against the rattan back (C)



Put the wooden stuffy cover(k) onto the hole

STEP:7

Assembly completed

