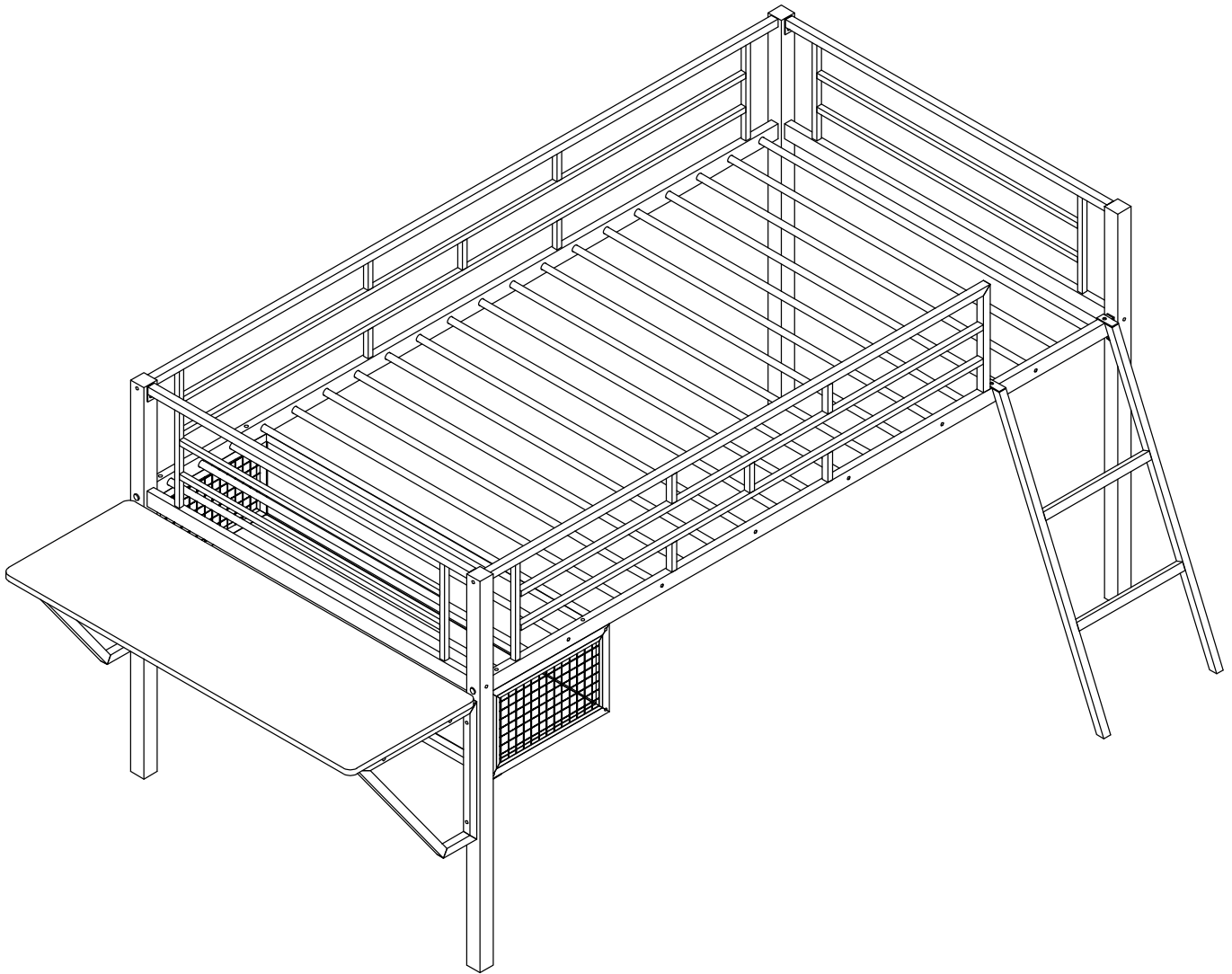
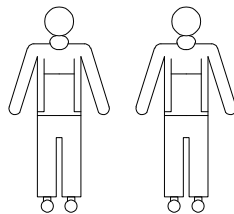
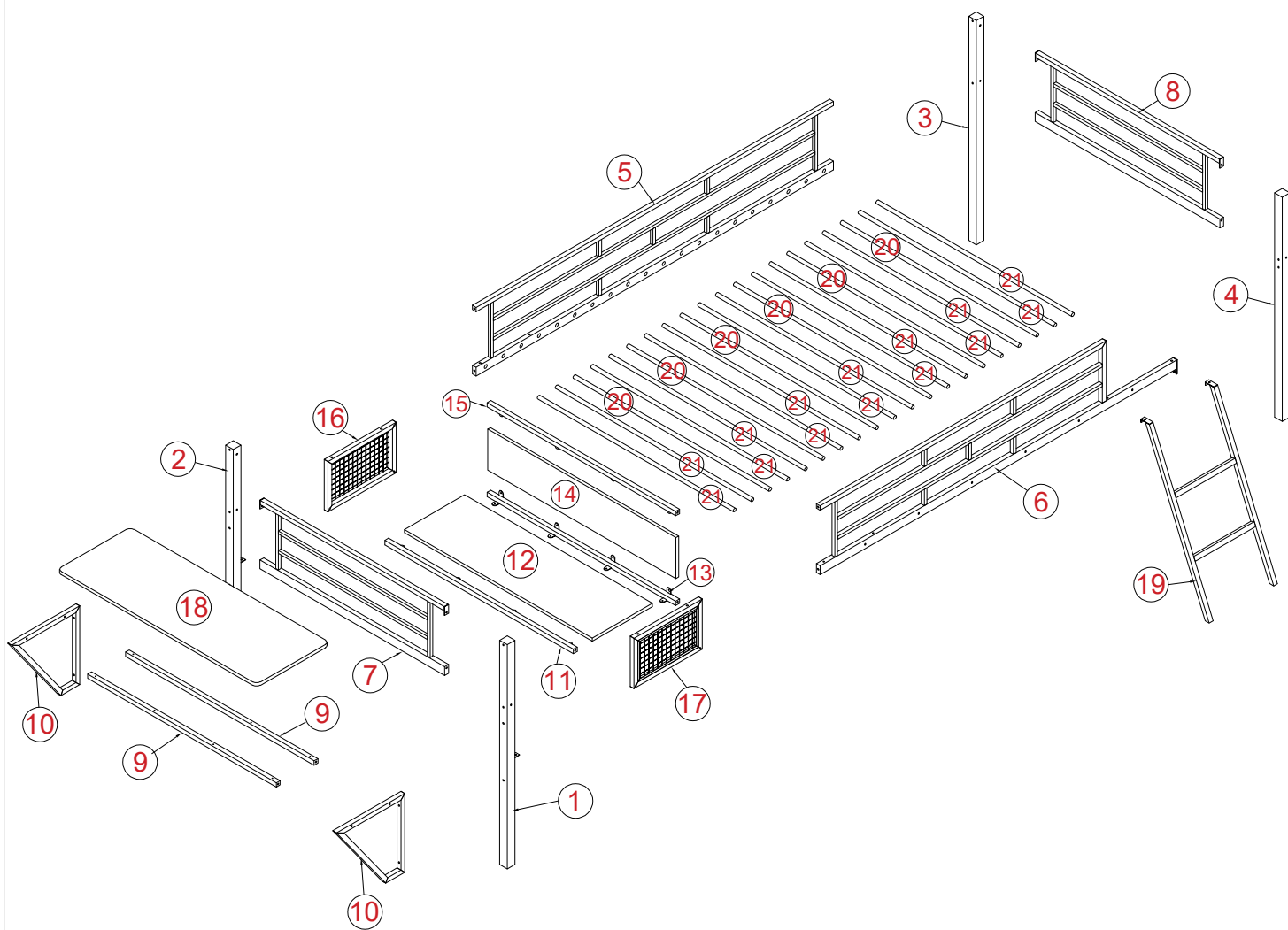


ASSEMBLY INSTRUCTION





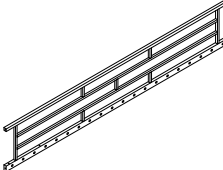
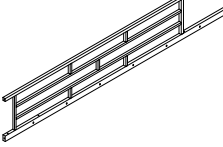
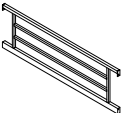
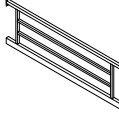



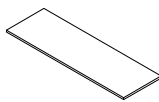
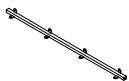
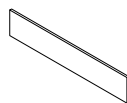


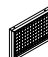
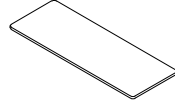
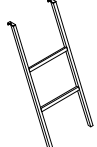




Minimum no. 2 of people
recommended to assemble
this product: Approx.
assembly time: 60 mins




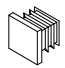
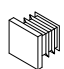
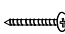
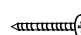
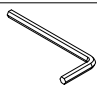
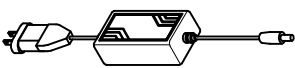











PART LIST

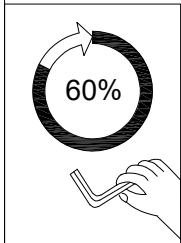
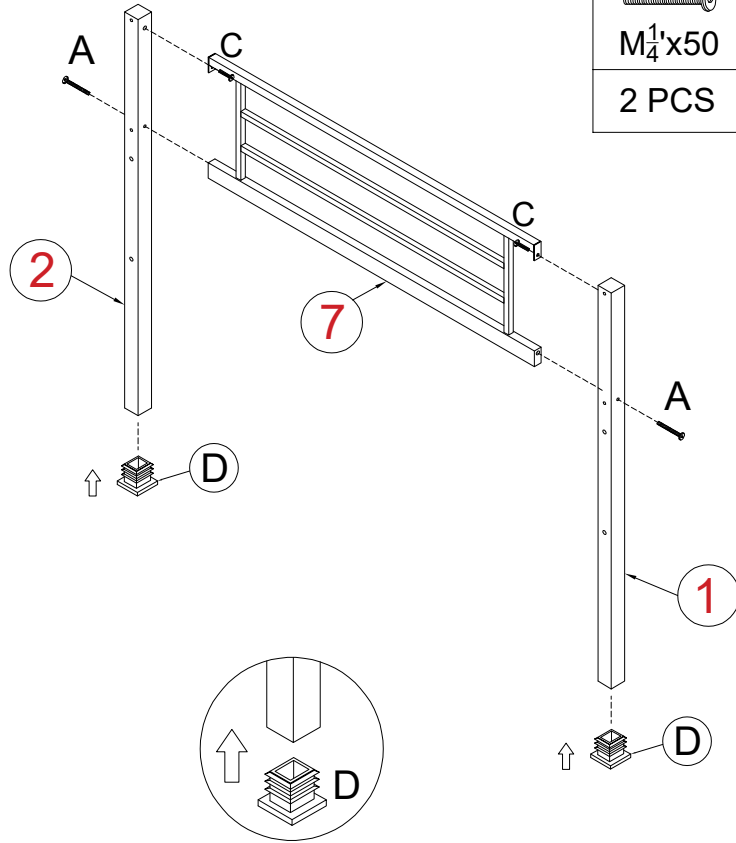
1		1PC	2		1PC	3		1PC
4		1PC	5		1PC	6		1PC
7		1PC	8		1PC	9		2PCS
10		2PCS	11		1PC	12		1PC
13		1PC	14		1PC	15		1PC
16		1PC	17		1PC	18		1PC
19		1PC	20		6PCS	21		14PCS

HARDWARE LIST




A		M $\frac{1}{4}$ "X50 16PCS	B		M $\frac{1}{4}$ "X35 14PCS	C		M $\frac{1}{4}$ "X15 22PCS	D		#40x40x13 4PCS
E		#20x20x13 2PCS	F		M4x15 16PCS	G		M4x30 8PCS	H		M4X23X57 1PC
i		30x50x95 1PC	J		22x35x50 1PC	K		5x13x2915 1PC	L		remote control 1PC
M		20x25x35 2PCS									

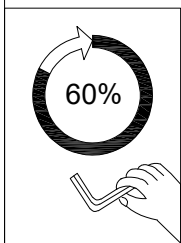
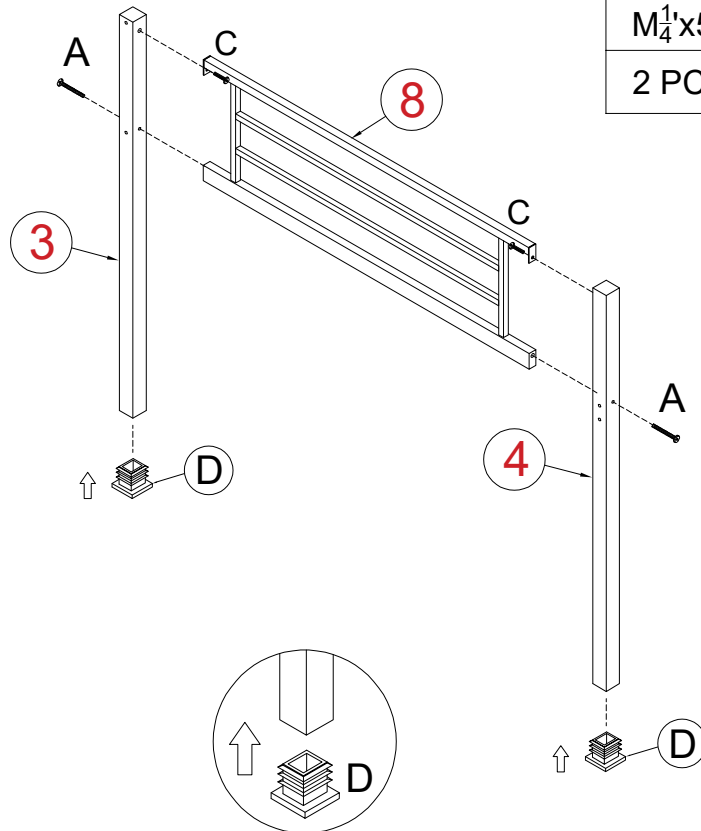
STEP 1

A	C	D
 M $\frac{1}{4}$ "x50	 M $\frac{1}{4}$ "x15	 #40x40x13
2 PCS	2 PCS	2 PCS



STEP 2

A	C	D
 M $\frac{1}{4}$ "x50	 M $\frac{1}{4}$ "x15	 #40x40x13
2 PCS	2 PCS	2 PCS



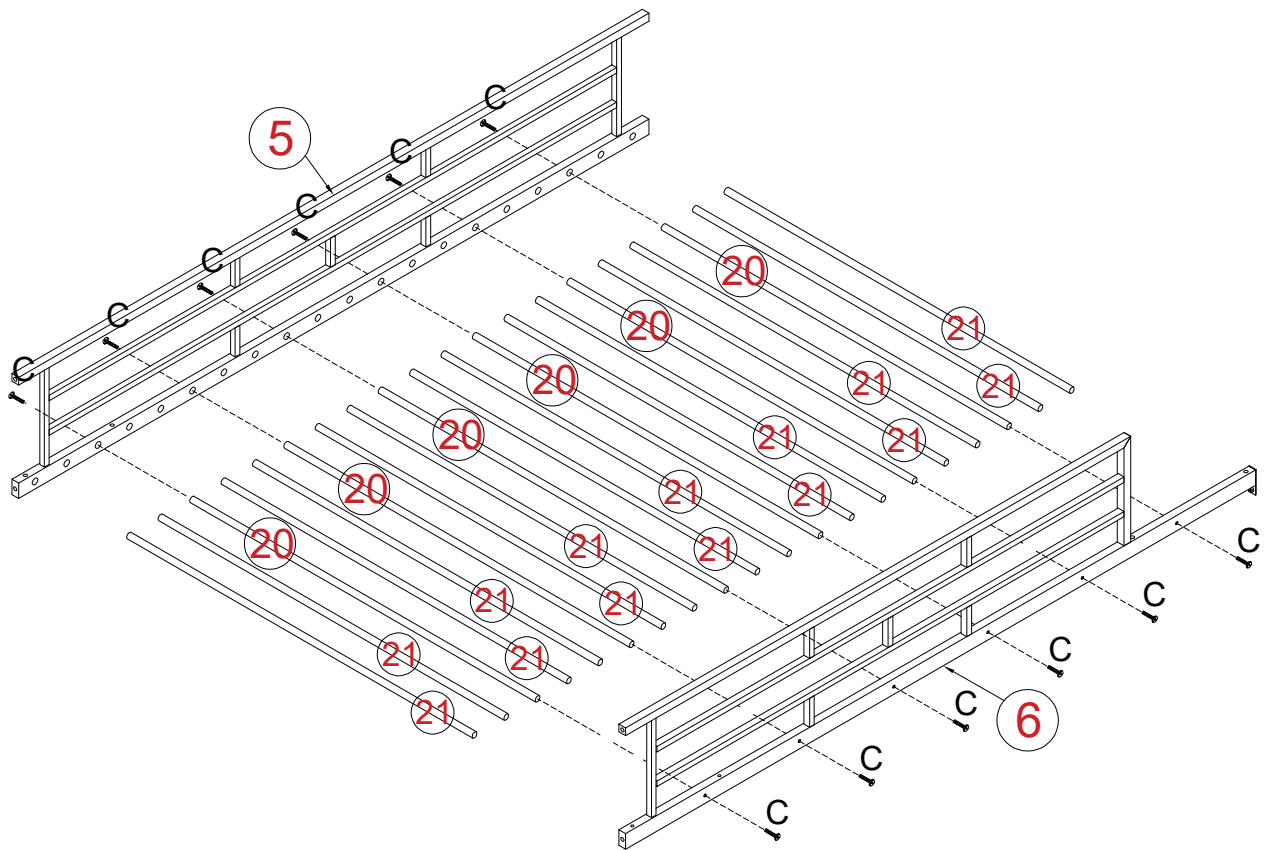
STEP 3

C



M $\frac{1}{4}$ x15

12 PCS



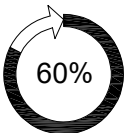
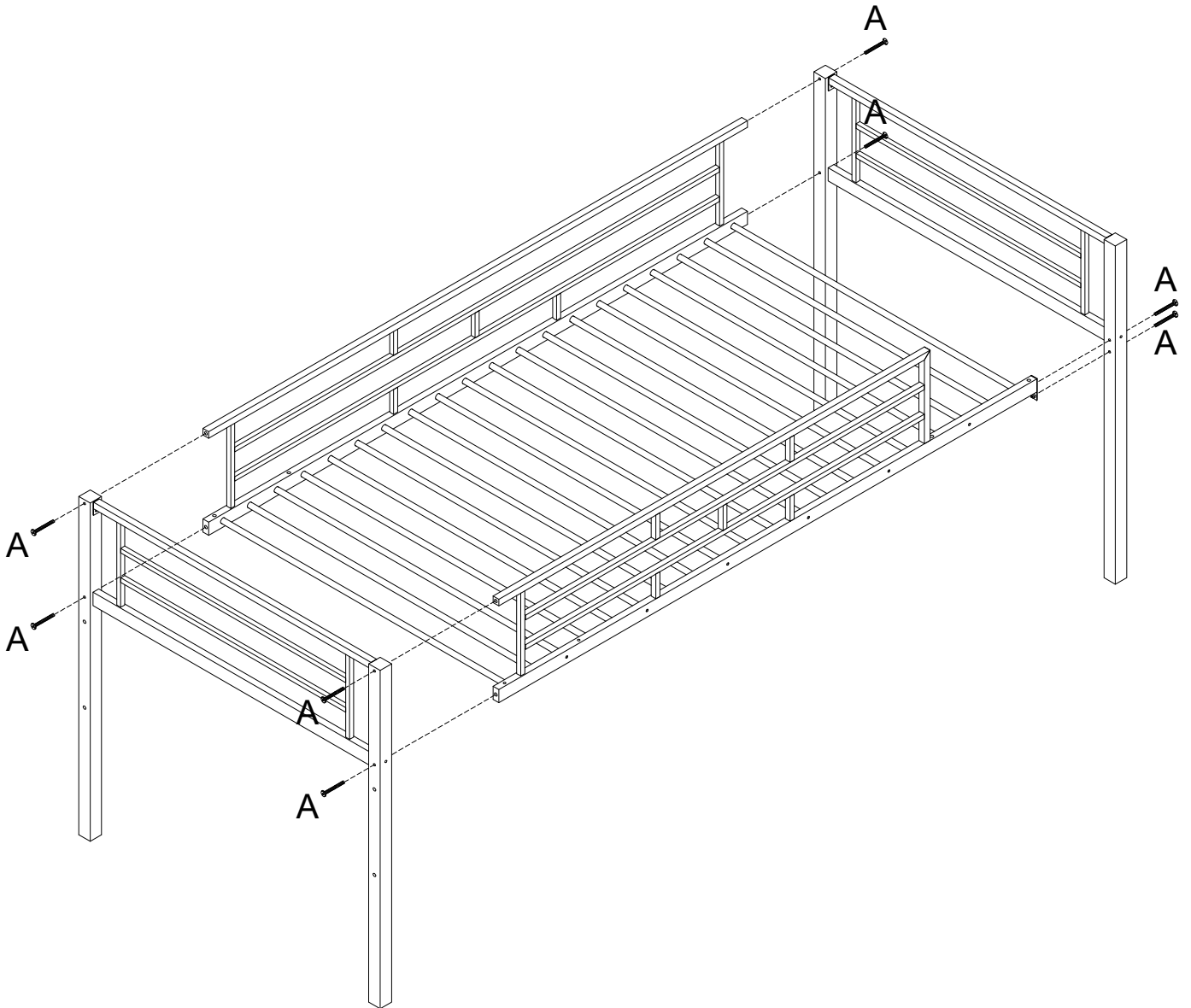
STEP 4

A



M $\frac{1}{4}$ 'x50

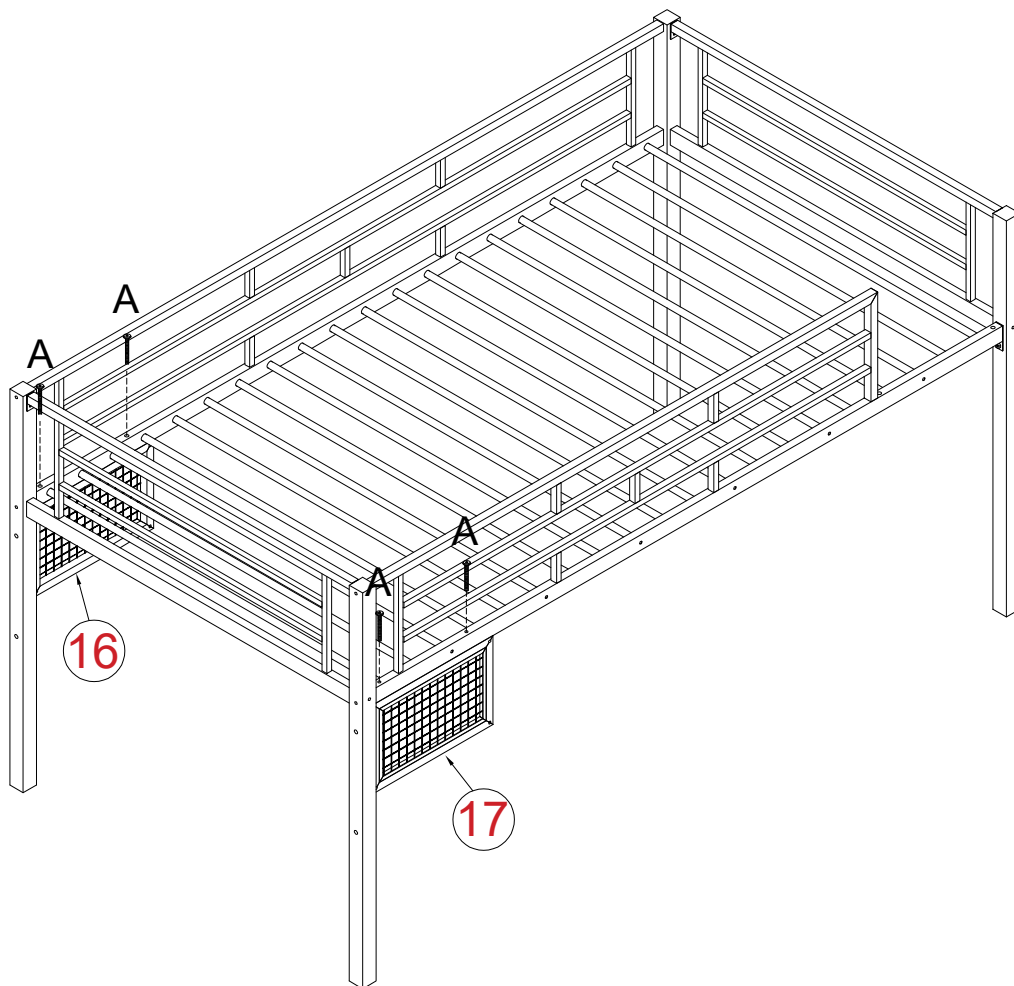
8 PCS




60%

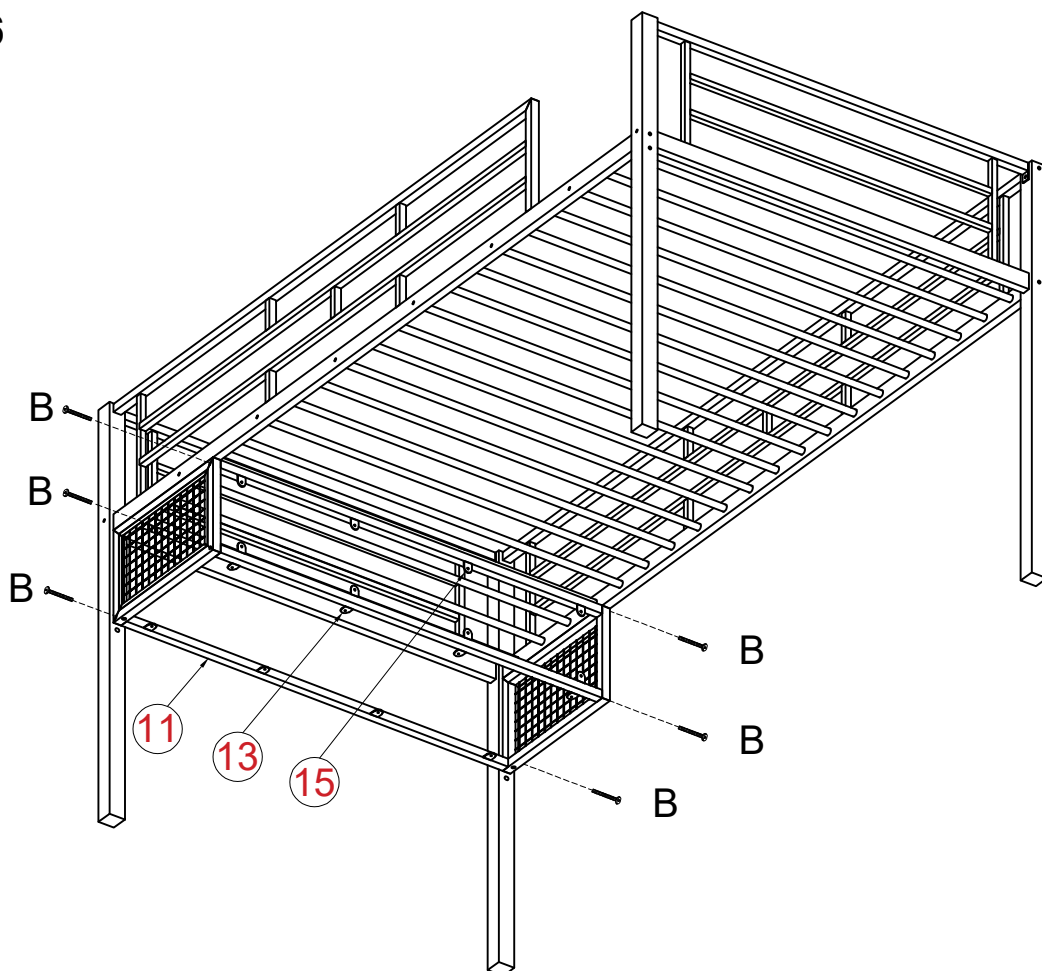



STEP 5





A
 M $\frac{1}{4}$ "x50
4 PCS

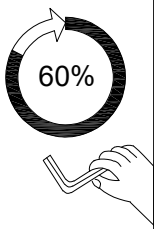
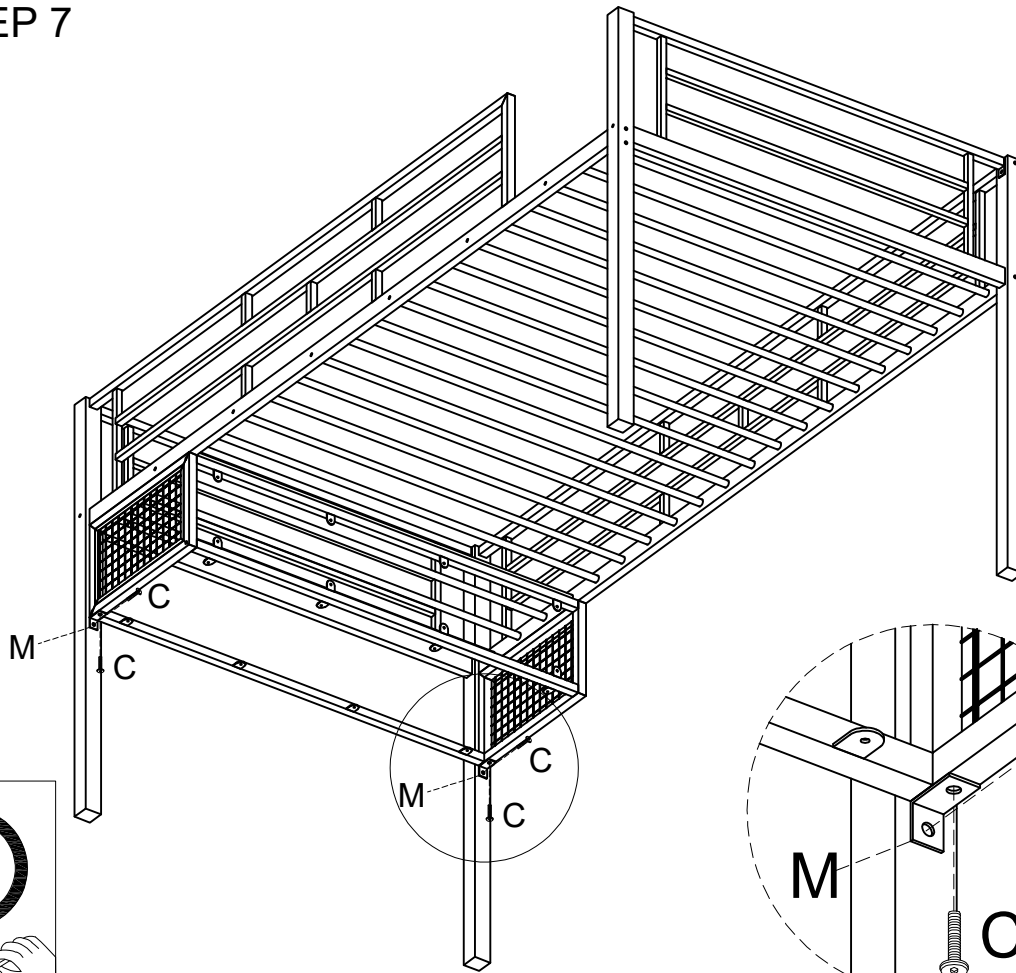
STEP 6



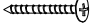
B
 M $\frac{1}{4}$ "x35
6 PCS

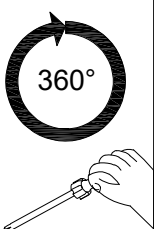
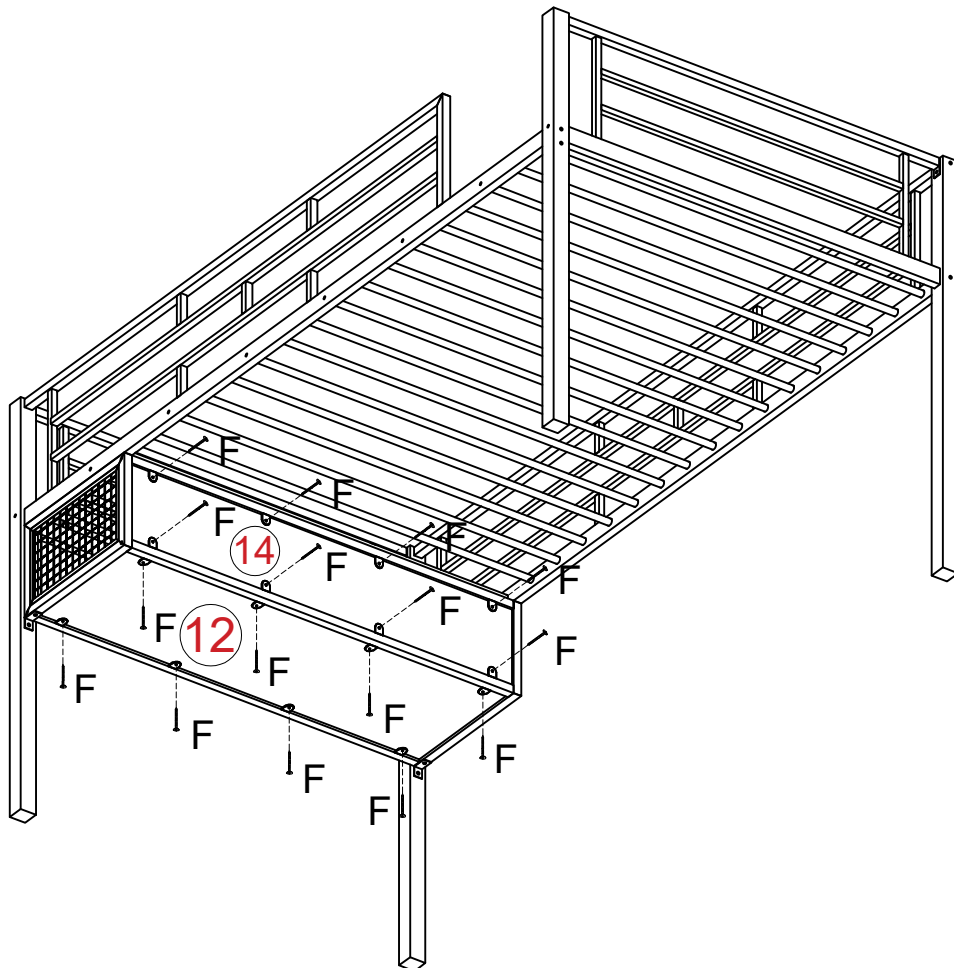
STEP 7

C	M
	
M $\frac{1}{4}$ x15	20x25x35
4 PCS	2 PCS



STEP 8

F

M4x15
16 PCS



STEP 9

B



M $\frac{1}{4}$ 'x35

4 PCS

10

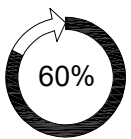
B

B

10

B

B



60%



STEP 10

B



M $\frac{1}{4}$ 'x35

4 PCS

B

B

B

9

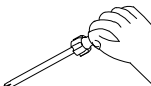
9

B


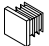
B

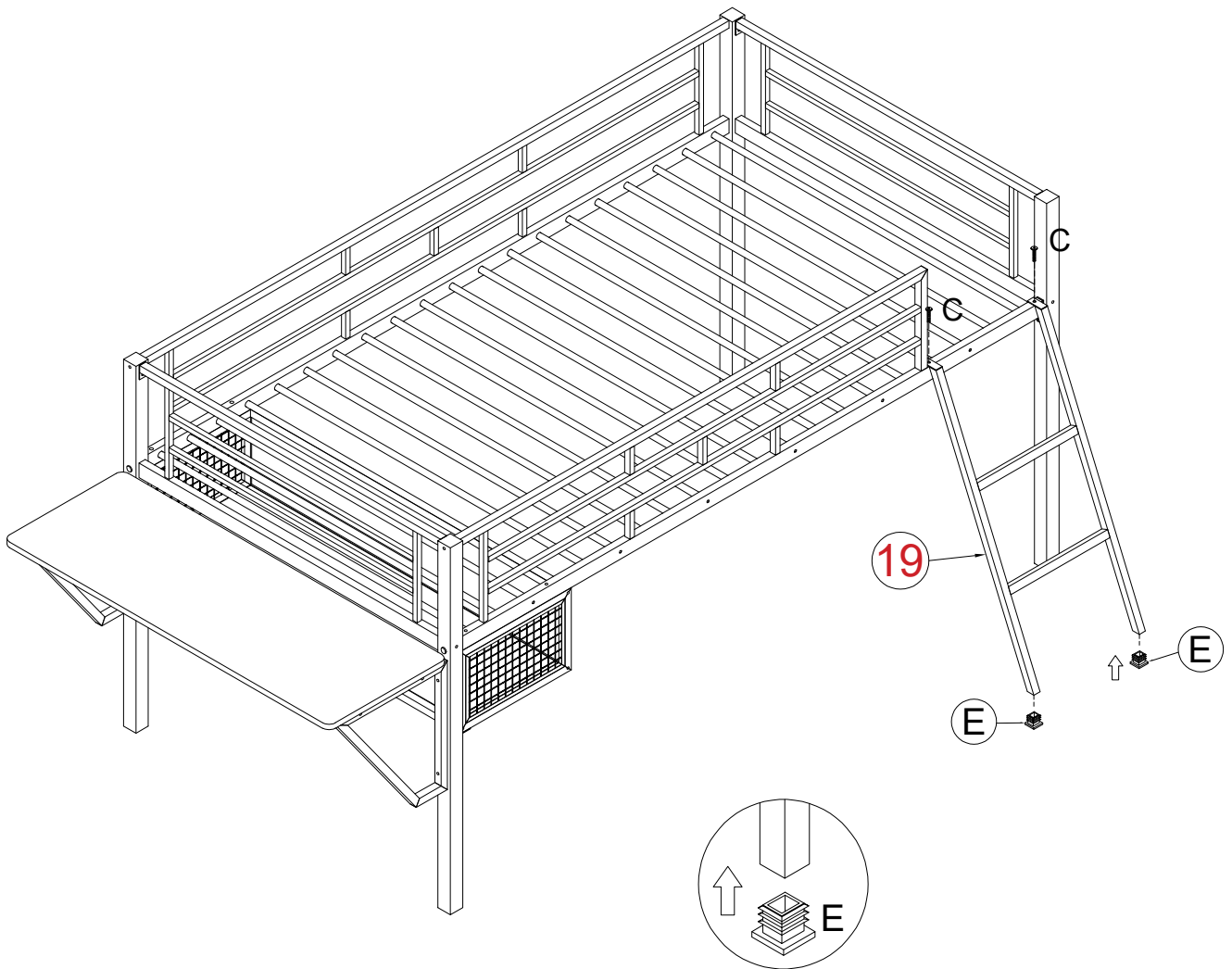


360°



STEP 13

C	E
 M $\frac{1}{4}$ "x15	 #20x20x13
2 PCS	2 PCS



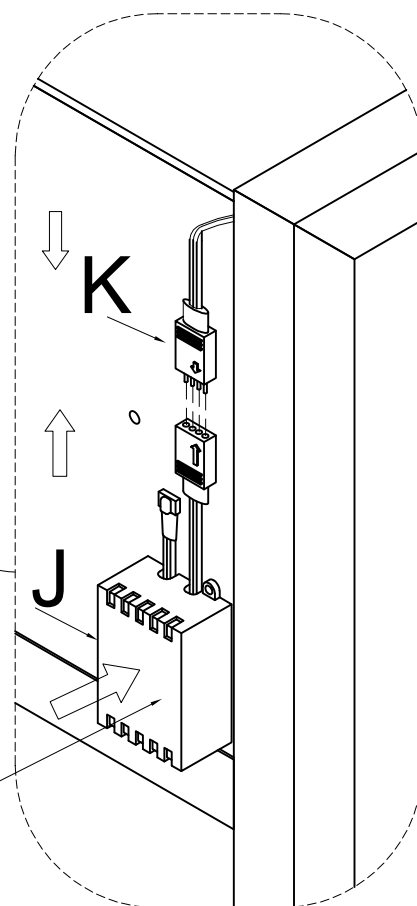
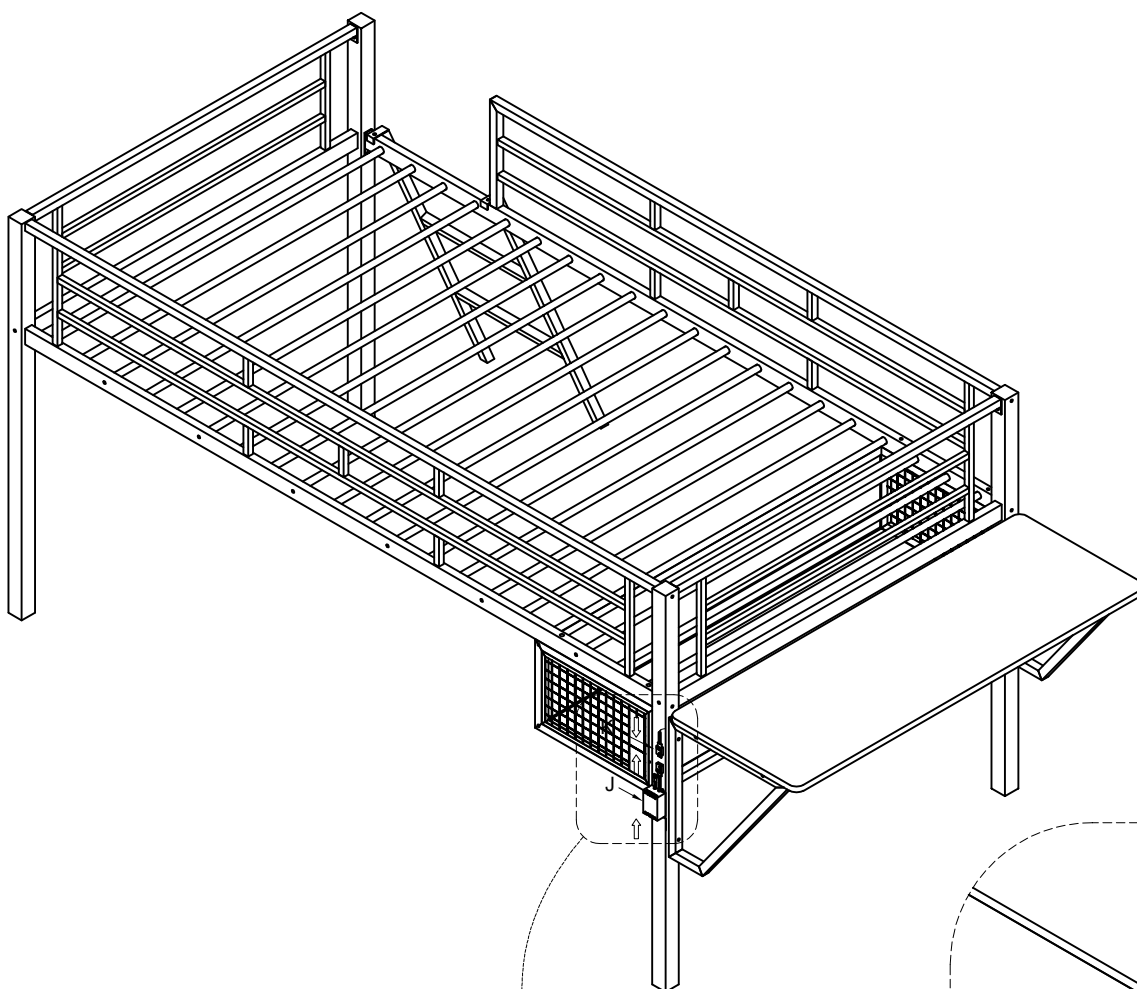
STEP 14

J

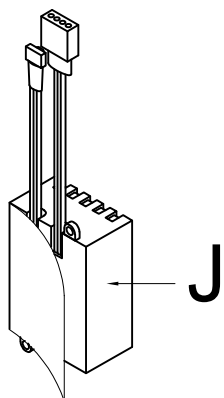


22x35x50

1PC

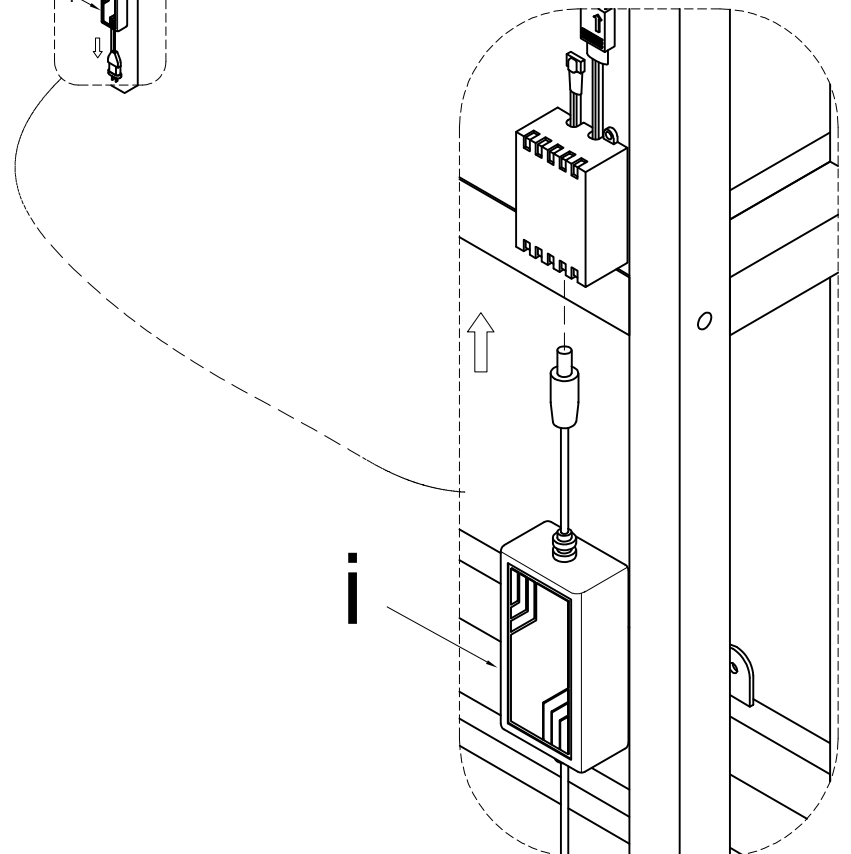
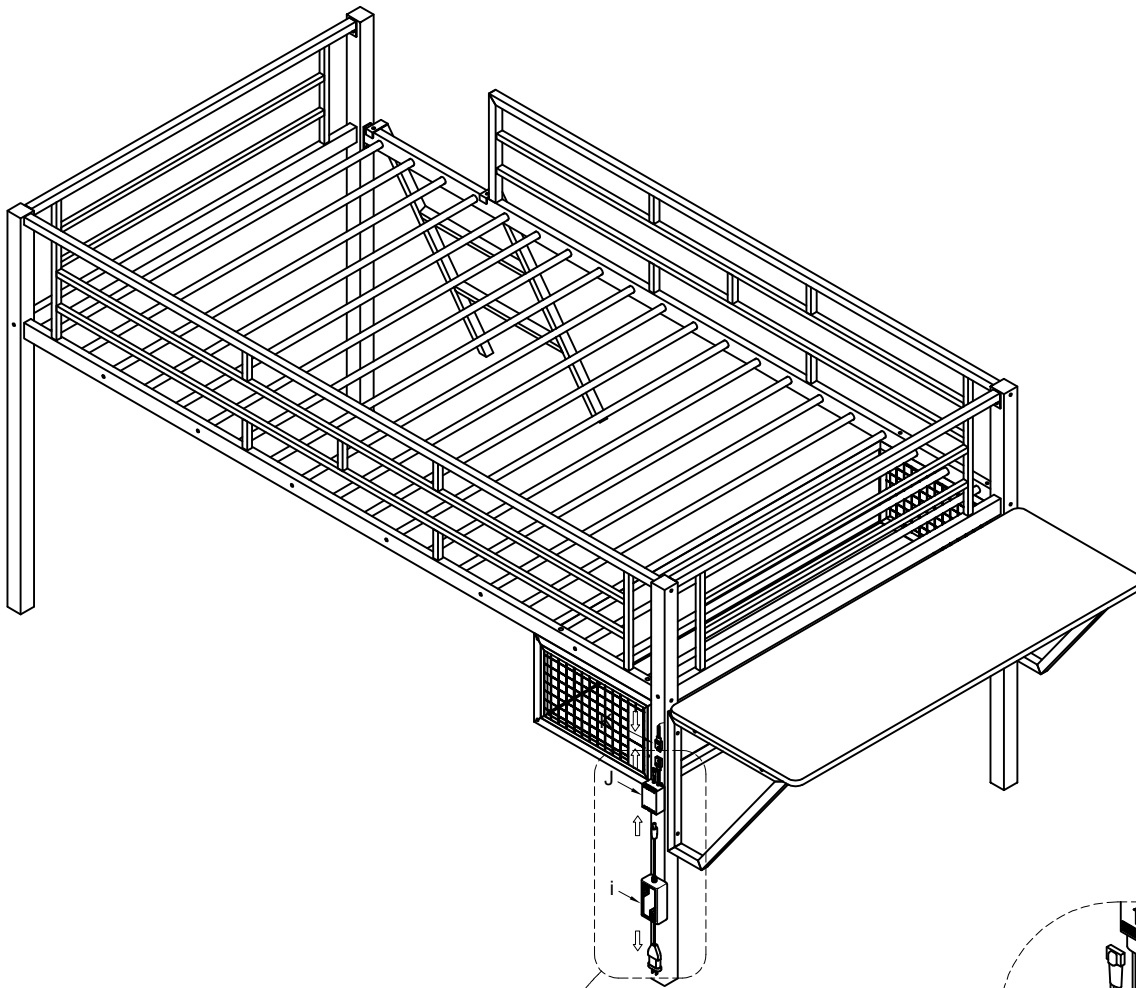
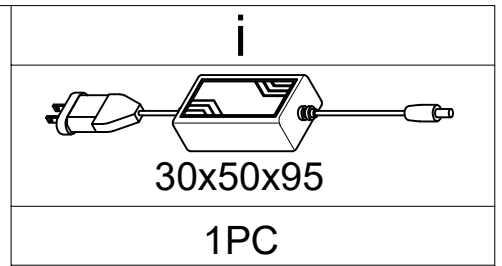


Remove the
outer layer of
paper



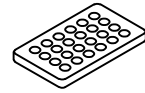
Stick it to the
back plate

STEP 15



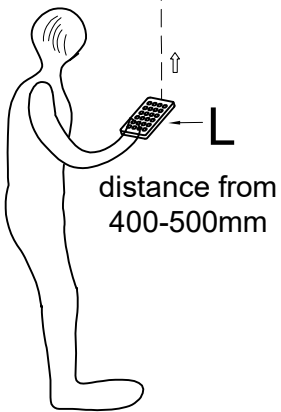
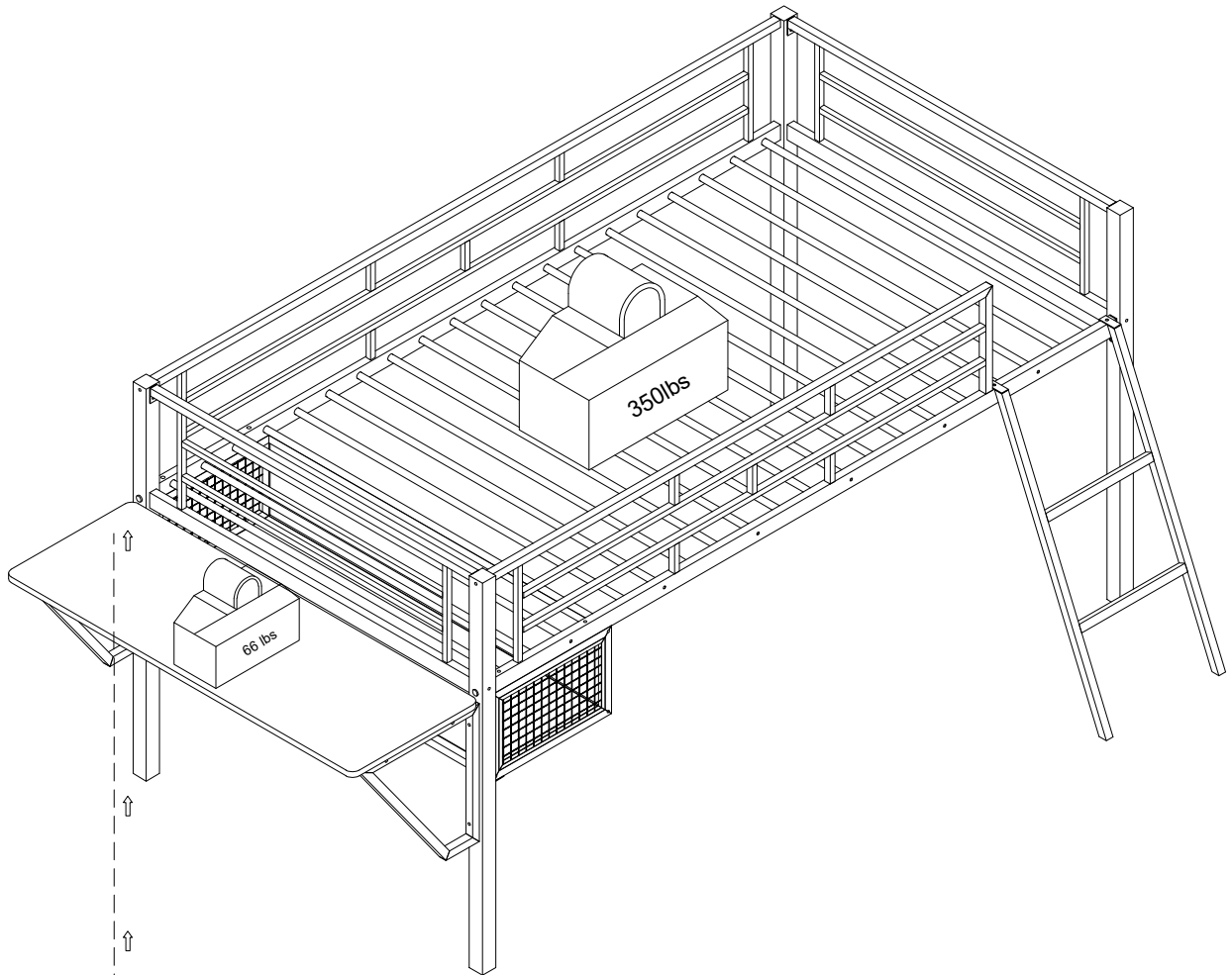
STEP 16

L



remote control

1PC



distance from 400-500mm