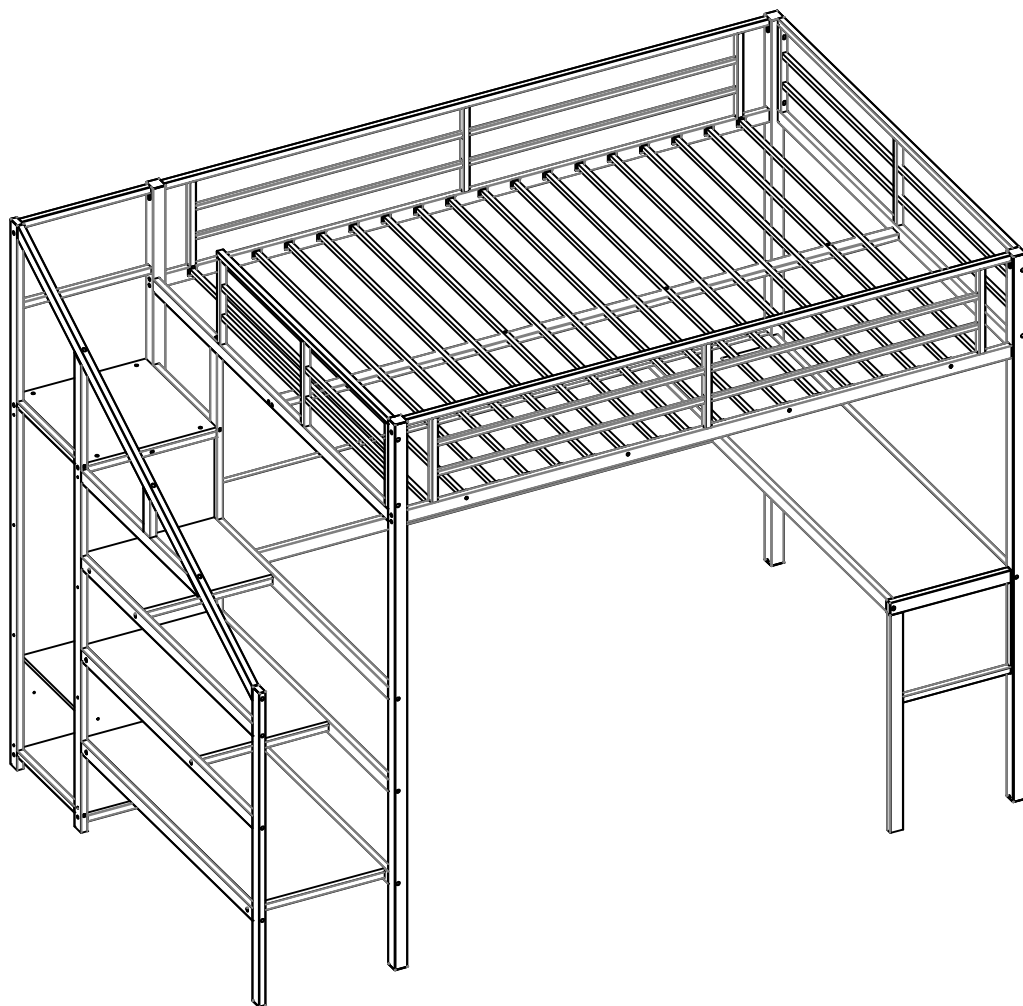


FULL SIZE LOFT BED ASSEMBLY INSTRUCTIONS



SAFETY WARNINGS AND GENERAL NOTES:

1. Follow the information on the warnings on the bunk bed end structure and on the carton. Do not remove the warning label from the bed.
2. Always use the recommended size mattress on mattress support, or both, to help prevent the likelihood of entrapment or falls.
3. Do not allow children under 6 years of age to use the upper bunk.
4. Periodically check and ensure the guardrail, ladder and other components are in their proper position, free from damage, and all connectors are tight.
5. Do not allow horseplay on or under beds.
6. Always prohibit jumping on the bed.
7. Prohibit more than one person on upper bunk.
8. Always use the ladder for entering and leaving the upper bunk.
9. Do not use substitute parts. Contact the manufacturer or dealer for replacement parts.
10. Use of a night-tight may provide added safety precaution for a child using the upper bunk.
11. Always use guardrails on both long sides of the upper bunk.
12. If the bunk bed will be placed next to a wall, the guardrail that runs the full length of the bed should be placed against the wall to prevent entrapment between the bed and the wall.

The use of water or sleep flotation mattresses is prohibited.

13. **STRANGULATION HAZARD**-Never attach or hang items to any part of the bunk bed that are not designed for use with the bed; for example, but not limited to, hooks, belts and jump ropes.
14. Keep these instructions for future reference.
15. We recommend assembling your bunk bed on the shipping carton to protect your floor or carpet.
16. Be certain all staples are out of the box before beginning assembly on the shipping carton.
17. USE ONLY MATTRESSES WHICH ARE AS THE TABLE BELOW ON UPPER AND ON LOWER BUNKS.

Up bed (bunk bed and tribed included)

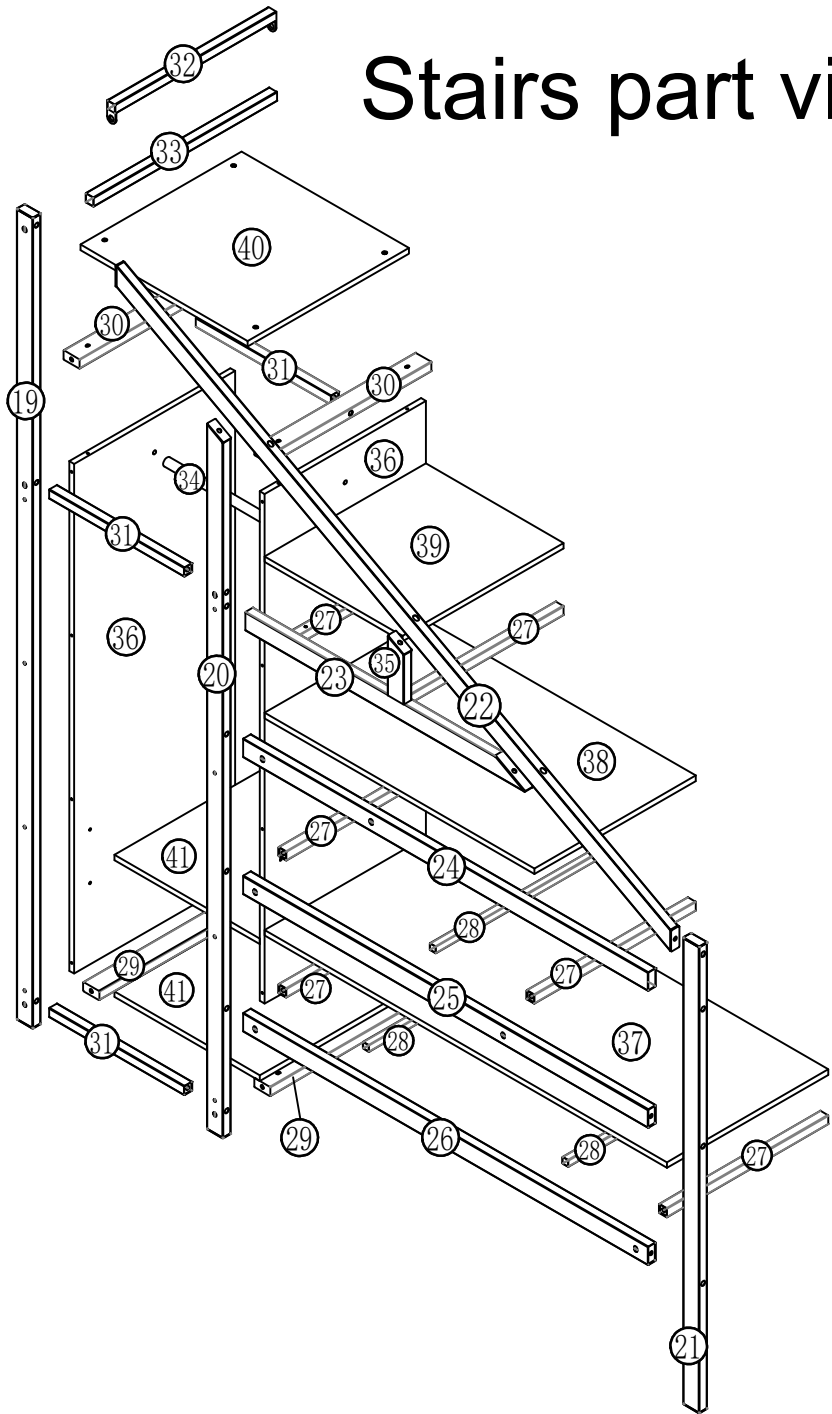
Mattress size	Length	Width	Thickness
Full Standard	74"-75"	53"-54"	6"

18. SURFACE OF MATTRESS MUST BE AT LEAST 5"(127MM) BELOW THE UPPER EDGE OF GUARDRAILS.

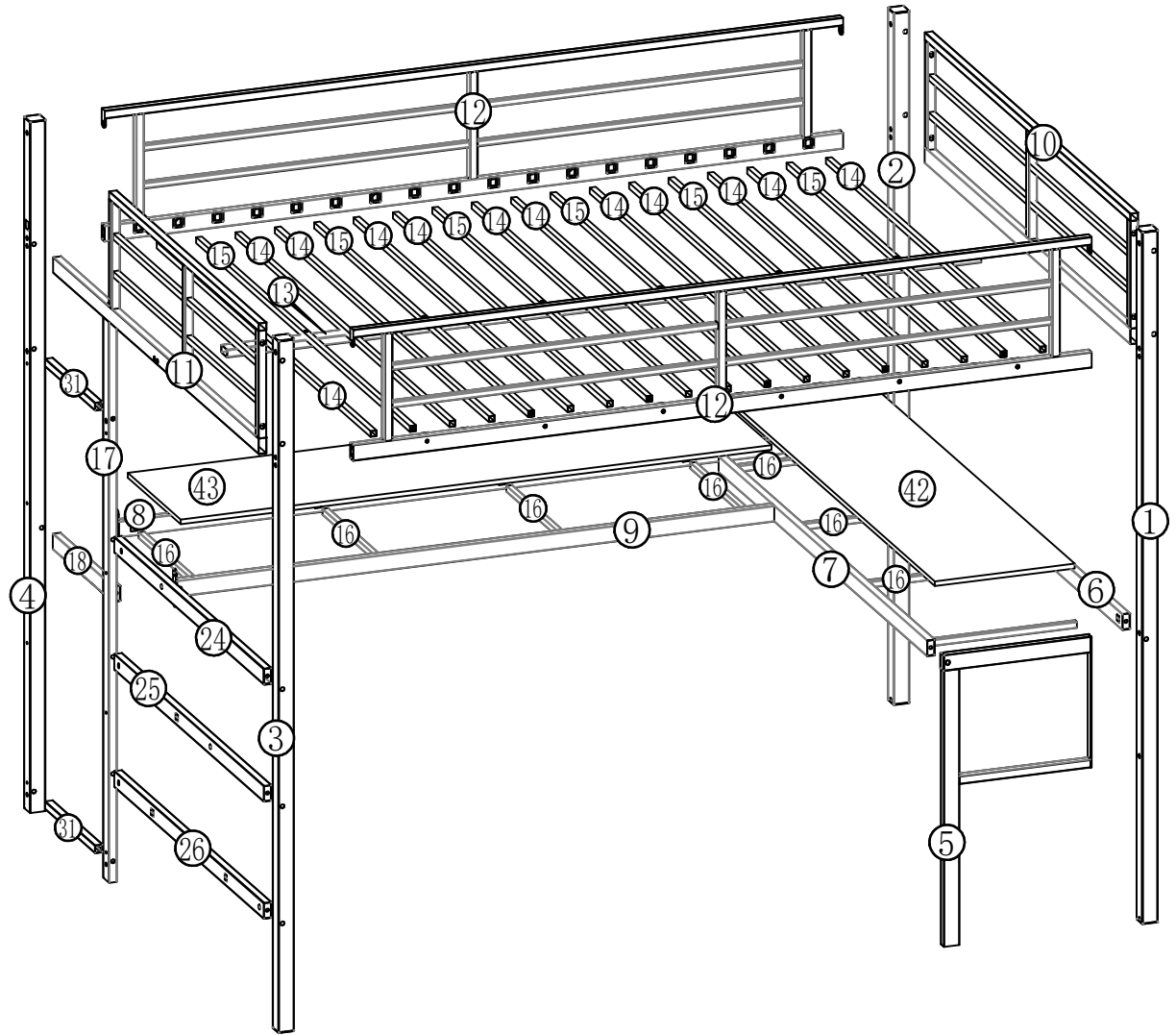
19. Replacement Parts:

Replacement Parts, including additional guardrails, may be obtained from any of our (Shen zhen Yue feng zhi qi Co., Ltd) dealers.





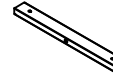
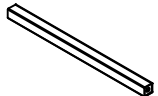
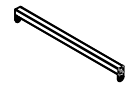
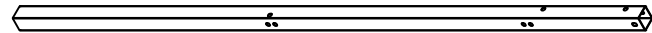
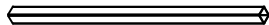
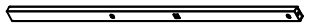
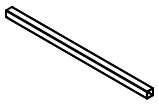
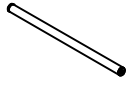

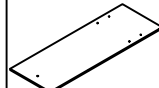
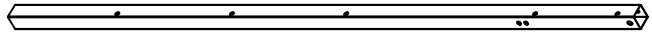


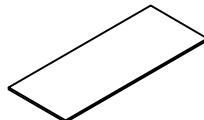
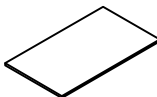

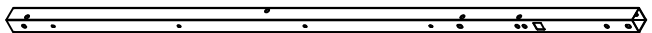
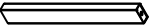
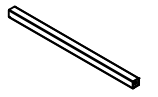
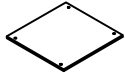
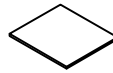
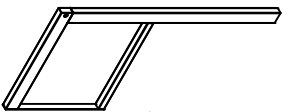


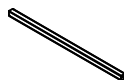






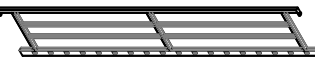
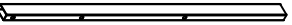















































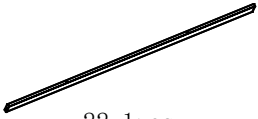



Stairs part view



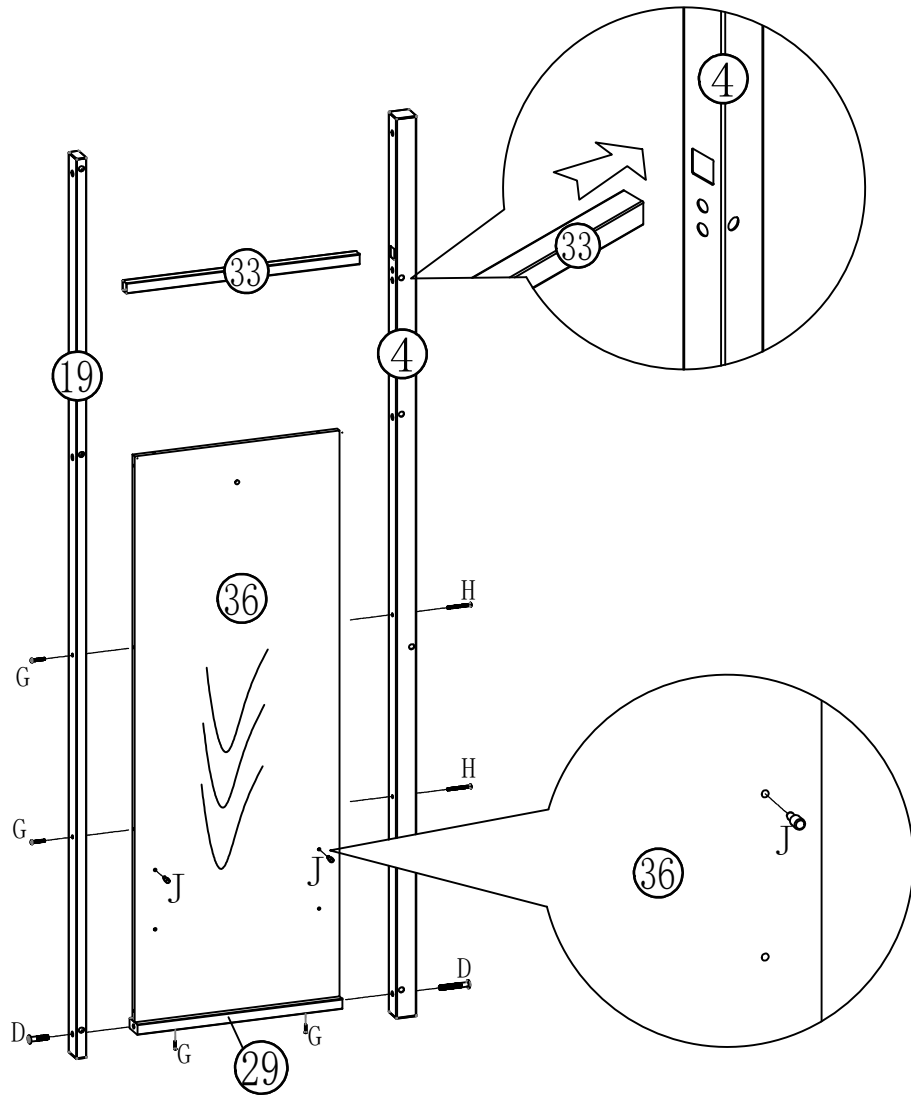
Bed parts view



Part List

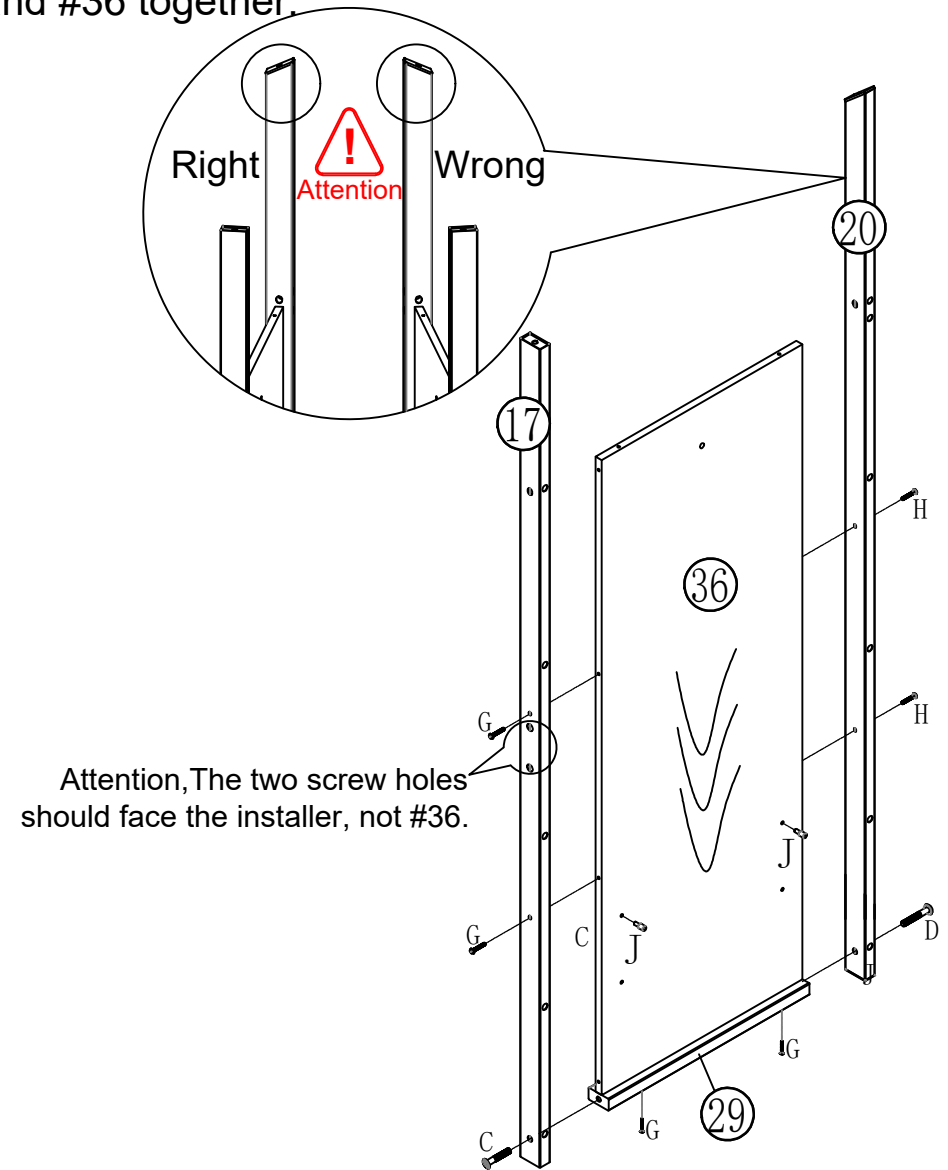
 1-1pcs		 15-6pcs	 24-2pcs	 29-2pcs	 30-2pcs	 31-5pcs	 32-1pcs																											
 2-1pcs		 16-8pcs	 25-2pcs	 33-1pcs	 34-1pcs	 35-1pcs	 36-2pcs																											
 3-1pcs		 17-1pcs	 26-2pcs	 37-2pcs		 38-1pcs	 39-1pcs																											
 4-1pcs		 18-1pcs	 27-6pcs	 40-1pcs		 41-2pcs																												
 5-1pcs	 10-1pcs	 19-1pcs	 28-3pcs	 42-1pcs																														
 6-1pcs	 11-1pcs	 20-1pcs	 43-1pcs																															
 7-1pcs	 12-2pcs	 21-1pcs	<h2>Hardware List</h2> <table border="1"> <tr> <td colspan="5"> P Socket 1pcs</td> <td colspan="4"> Q Light strips 1pcs</td> </tr> <tr> <td> A 4*10 2PCS</td> <td> B 8*15 5PCS</td> <td> C 8*35 32PCS</td> <td> D 8*55 54PCS</td> <td> E 6*30 18PCS</td> <td> F 8*15-11PCS</td> <td> H 4*45-6PCS</td> <td> O 0</td> <td> L</td> </tr> <tr> <td> G 4*25-10PCS</td> <td> J 5*10-4PCS</td> <td> K 32PCS</td> <td colspan="6"> M</td> </tr> </table>					 P Socket 1pcs					 Q Light strips 1pcs				 A 4*10 2PCS	 B 8*15 5PCS	 C 8*35 32PCS	 D 8*55 54PCS	 E 6*30 18PCS	 F 8*15-11PCS	 H 4*45-6PCS	 O 0	 L	 G 4*25-10PCS	 J 5*10-4PCS	 K 32PCS	 M					
 P Socket 1pcs								 Q Light strips 1pcs																										
 A 4*10 2PCS	 B 8*15 5PCS	 C 8*35 32PCS						 D 8*55 54PCS	 E 6*30 18PCS	 F 8*15-11PCS	 H 4*45-6PCS	 O 0	 L																					
 G 4*25-10PCS	 J 5*10-4PCS	 K 32PCS						 M																										
 8-1pcs	 13-1pcs	 22-1pcs																																
 9-1pcs	 14-13pcs	 23-1pcs																																

Step 1: Use hardware L,M,C,D,H,G and J to connect #4, #19,#29,#33 and #36 together.



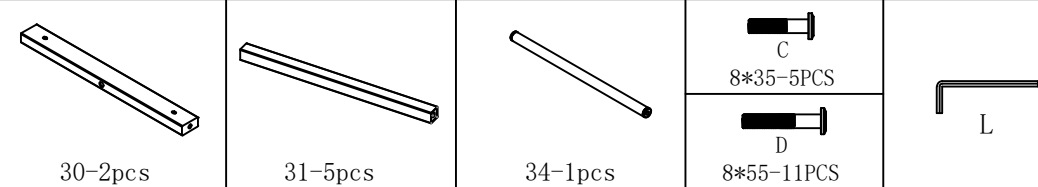
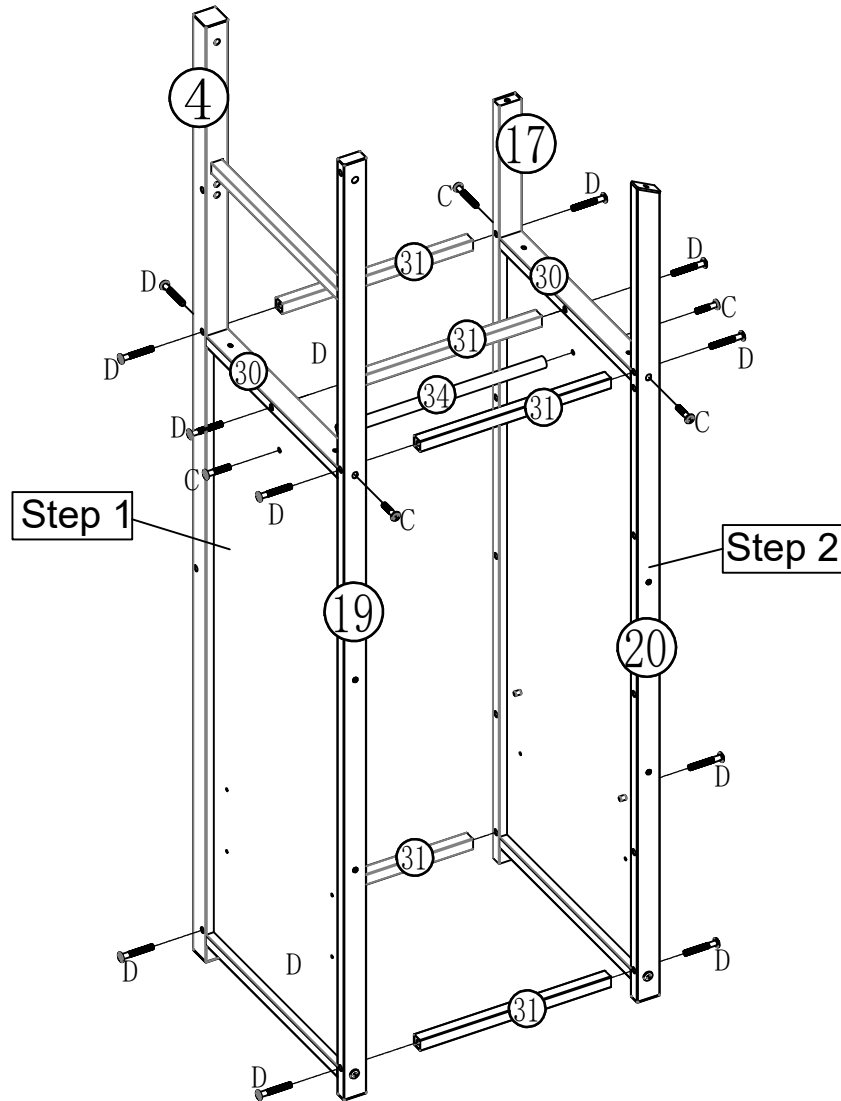
4-1pcs	33-1pcs	H 4*50-2PCS	C 8*35-1PCS	D 8*55-1PCS	L
19-1pcs	36-1pcs	G 4*35-4PCS	J*2PCS	M	
29-1pcs					

Step 2: Use hardware L,M,C,G and J to connect #17,#20, #29 and #36 together.

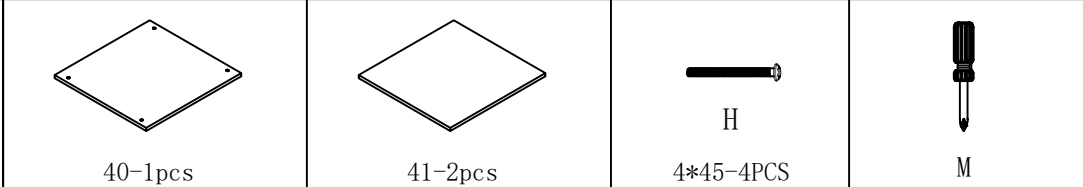
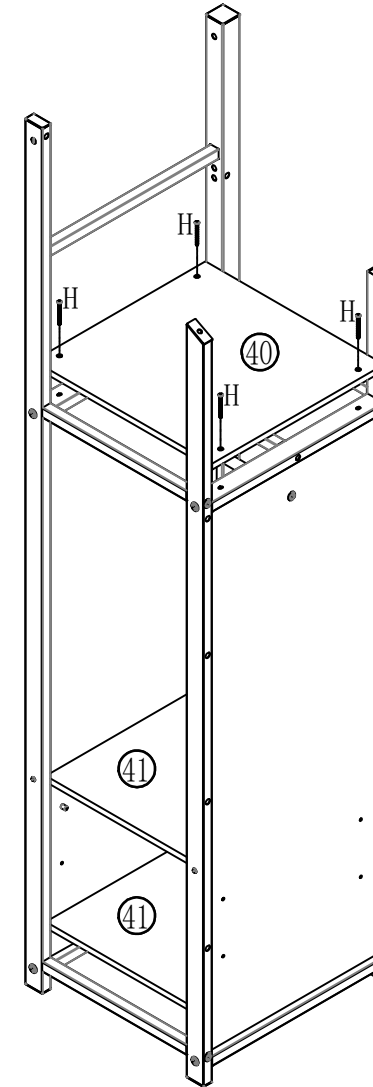


17-1pcs	29-1pcs	C 8*35-2PCS	J*2PCS	L
20-1pcs	36-1pcs	G 4*25-6PCS	M	

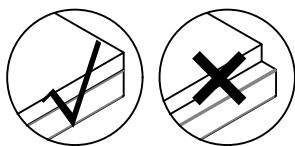
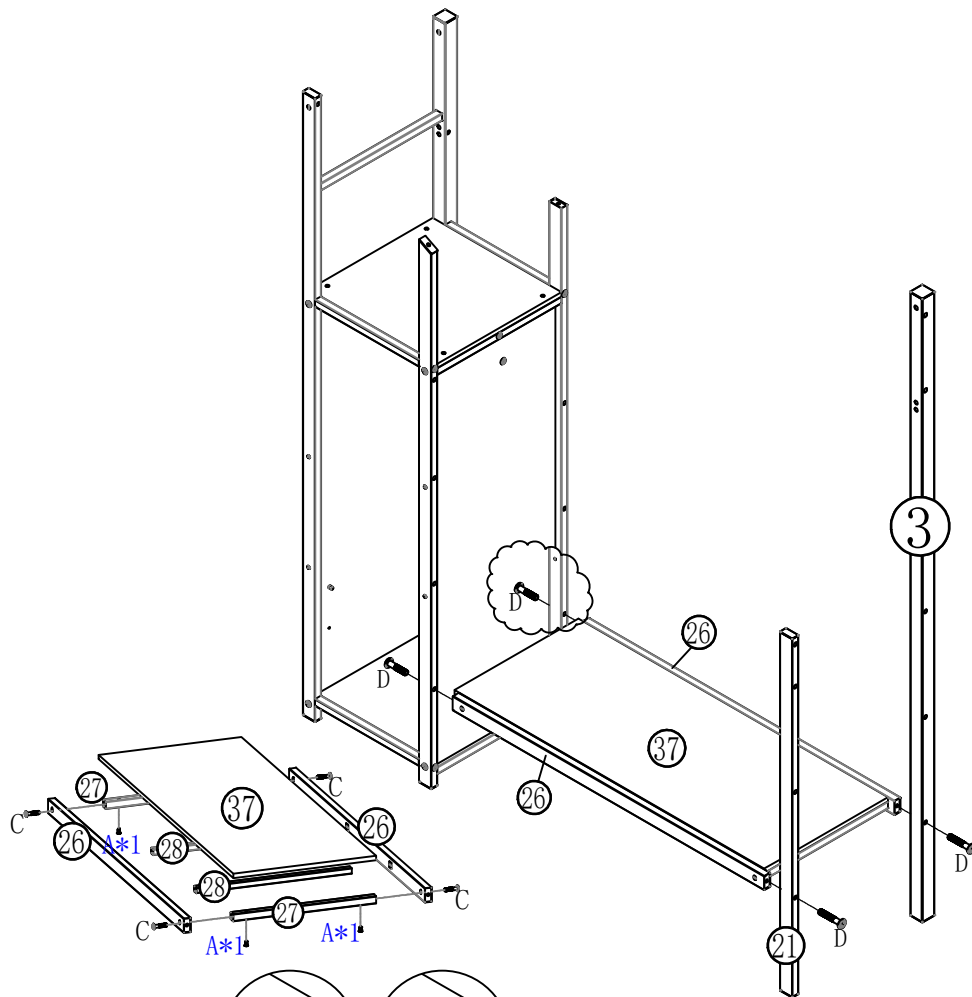
Step 3: Use hardware L,C,D to connect #Step 2,#Step 3 and #30,#31,#34 together.



Step 4: Use hardware M、H to connect #40 and #41 to the previously installed components.



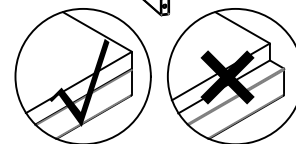
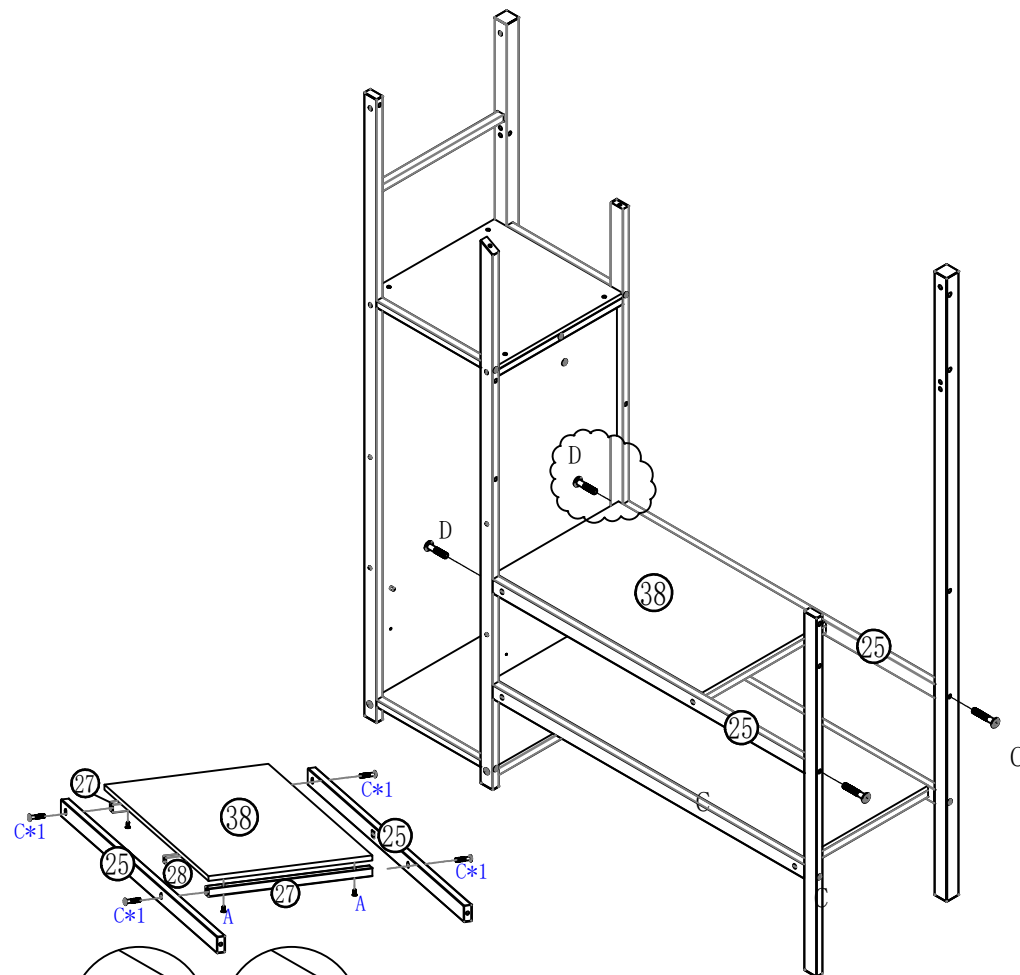
Step 5: Use hardware L、M、O、C、D to connect #26、
#27、 #28 and #37 to the previously installed components.



27# edge and 37# should be placed
in the same plane mounting.

26-2pcs		3-1pcs		A 4*10-4PCS	D 8*55-4PCS	
27-2pcs	28-2pcs	21-1pcs	36-1pcs	C 8*35-4PCS	L	

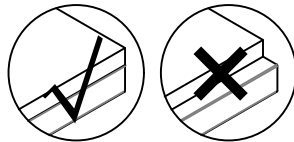
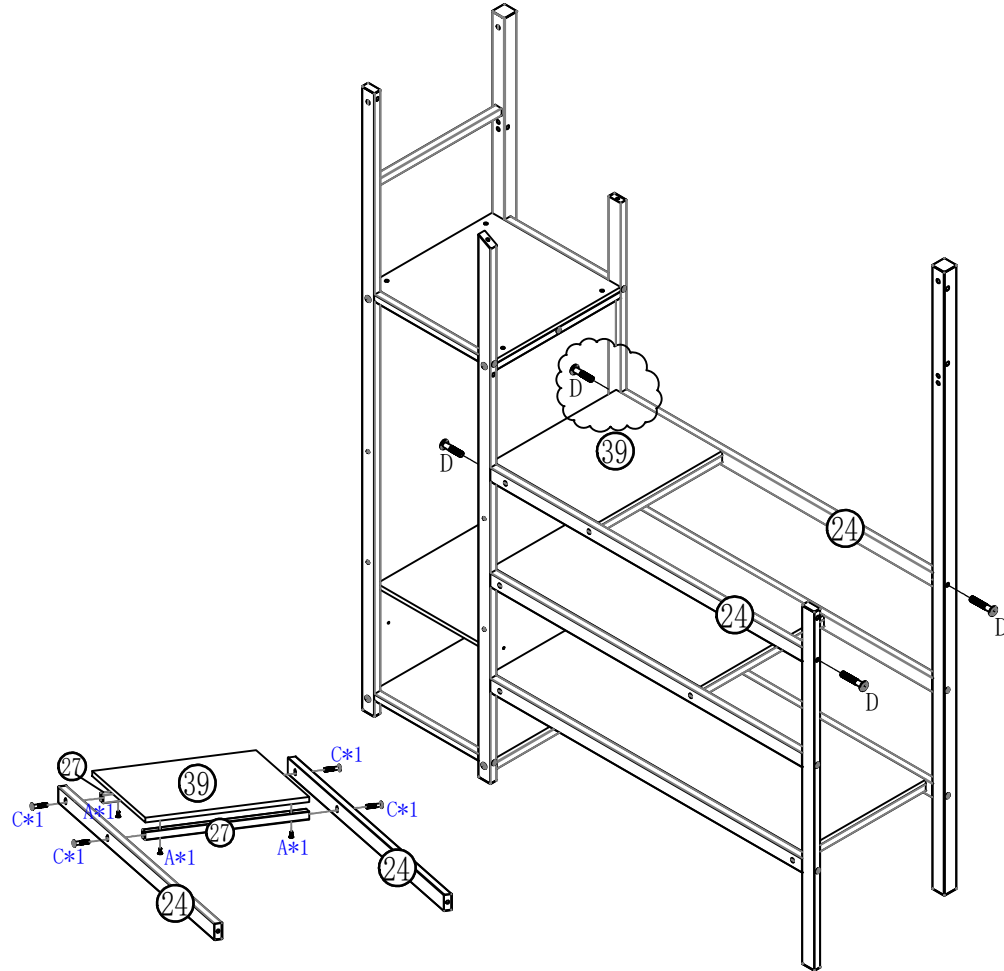
Step 6: Use hardware L、M、O、C、D to connect #25、
#27、 #28 and #38 to the previously installed components.



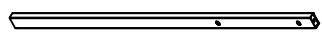
27# edge and 38# should be placed
in the same plane mounting.

25-2pcs		28-1pcs		A 4*10-4PCS	D 8*55-4PCS	
27-2pcs	38-1pcs	C 8*35-4PCS	L			

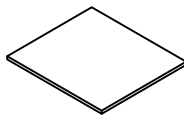
Step 7: Use hardware L、M、O、C、D to connect #24、
#27 and #39 to the previously installed components.



27# edge and 39# should be placed
in the same plane mounting.



24-2pcs



39-1pcs



A 4*10-4PCS



D 8*55-4PCS



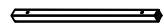
M



C 8*35-4PCS

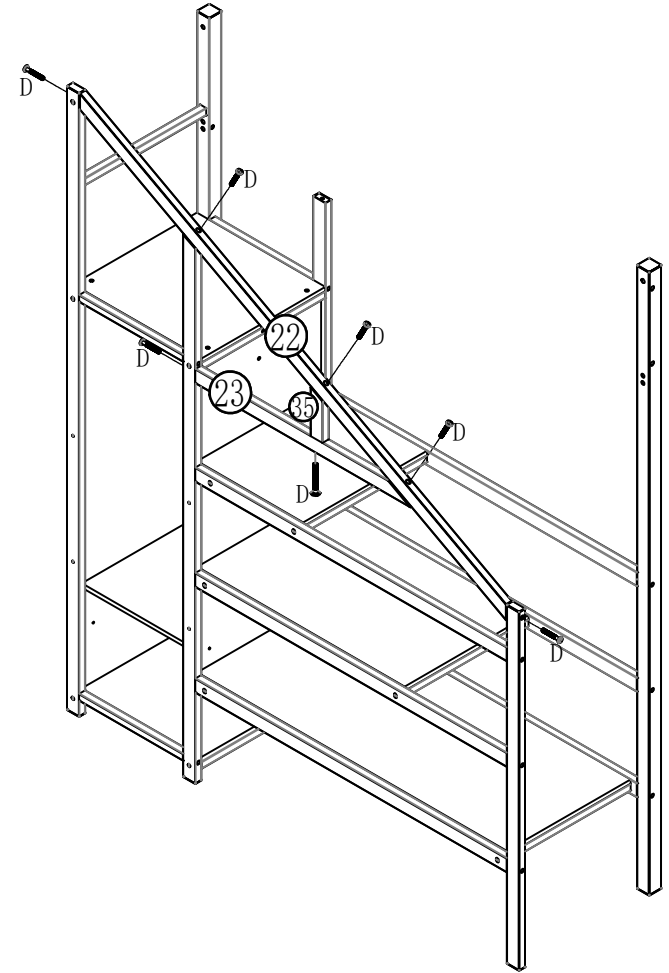


L

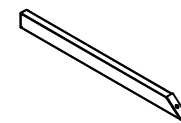


27-2pcs

Step 8: Use hardware L、D to connect #22,#23 and #35
to the previously installed components.



22-1pcs



23-1pcs



35-1pcs

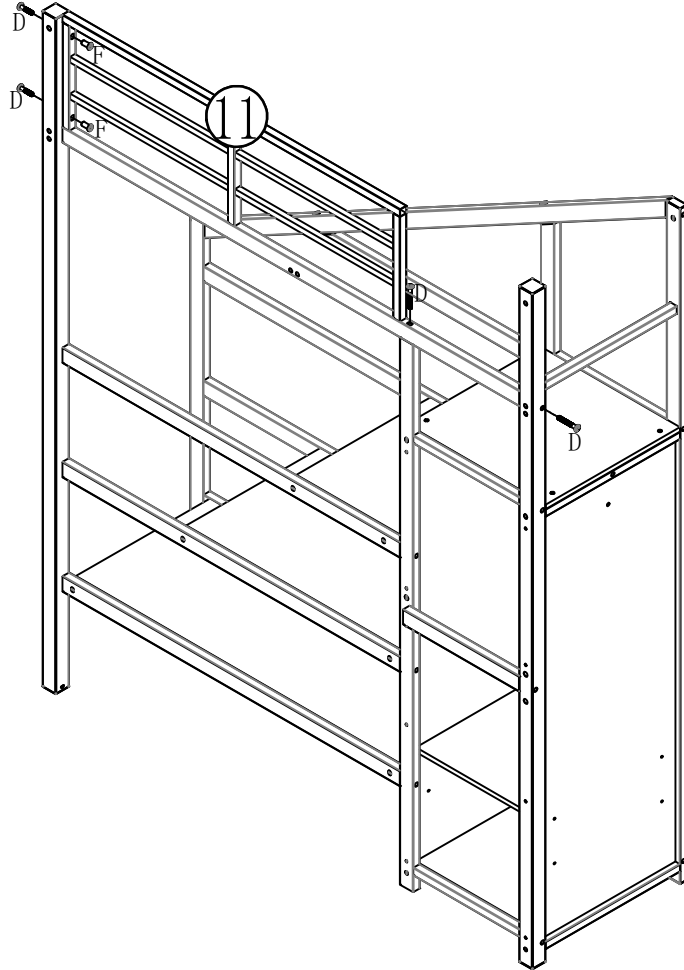


D 8*55-7PCS

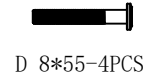


L

Step 9: Use hardware L, C,D,F to connect #11 to the previously installed components.



11-1PCS



D 8*55-4PCS

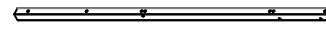
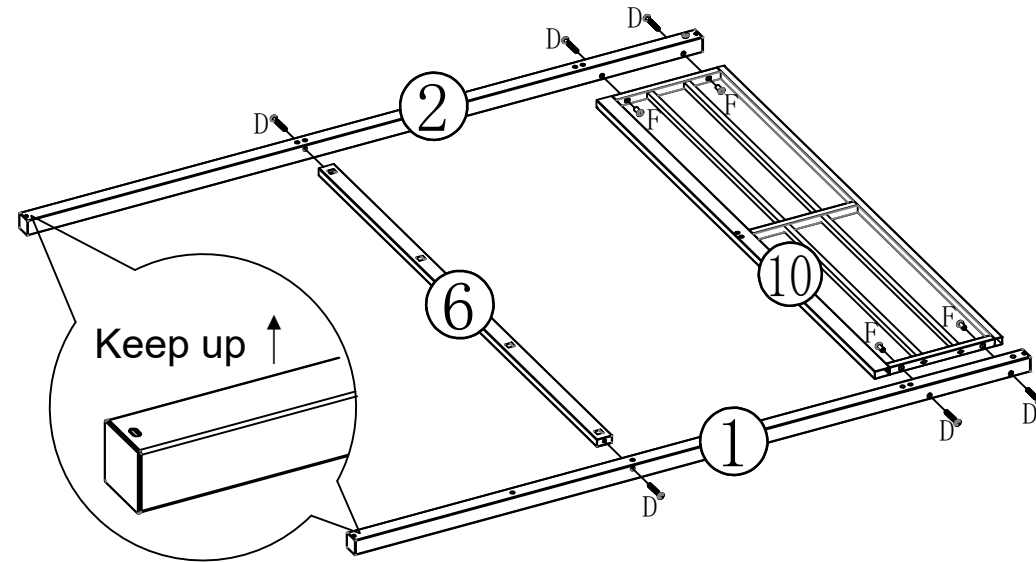


F 8*15-2PCS



L

Step 10: Use hardware L,C,D and F to connect #1,#2,#6 and #10 together.



1-1pcs



2-1pcs



6-1pcs



10-1pcs



D 8*55-6PCS

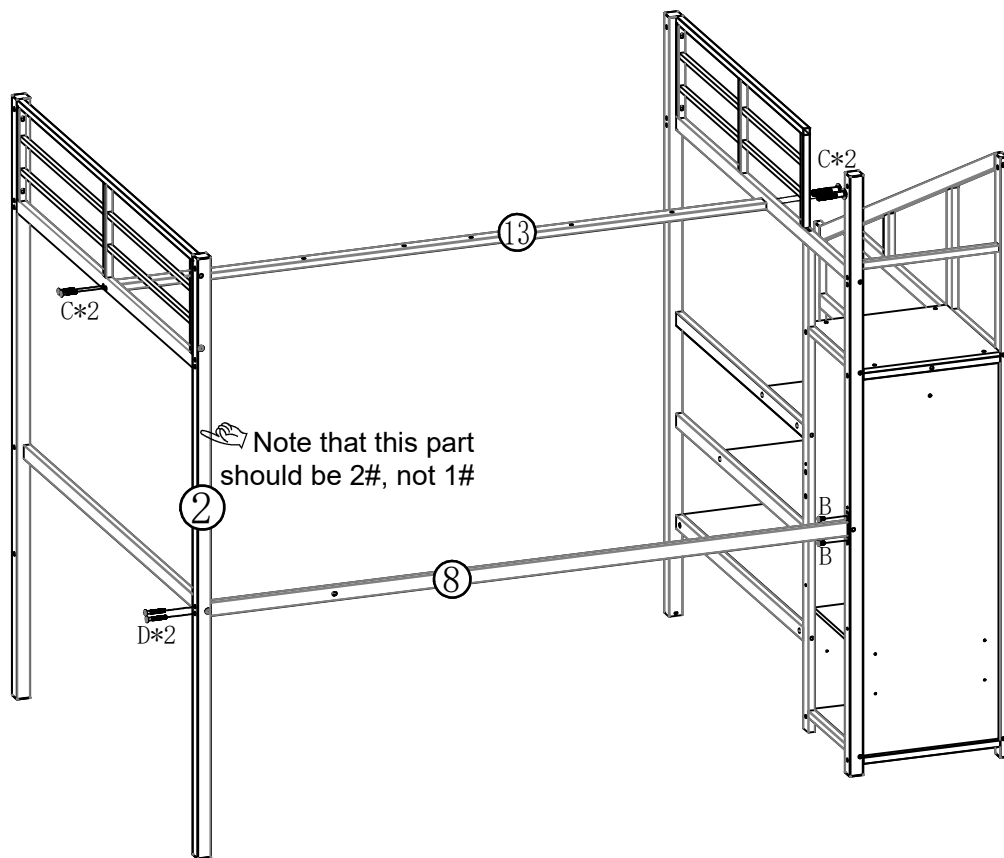


F 8*15-4PCS

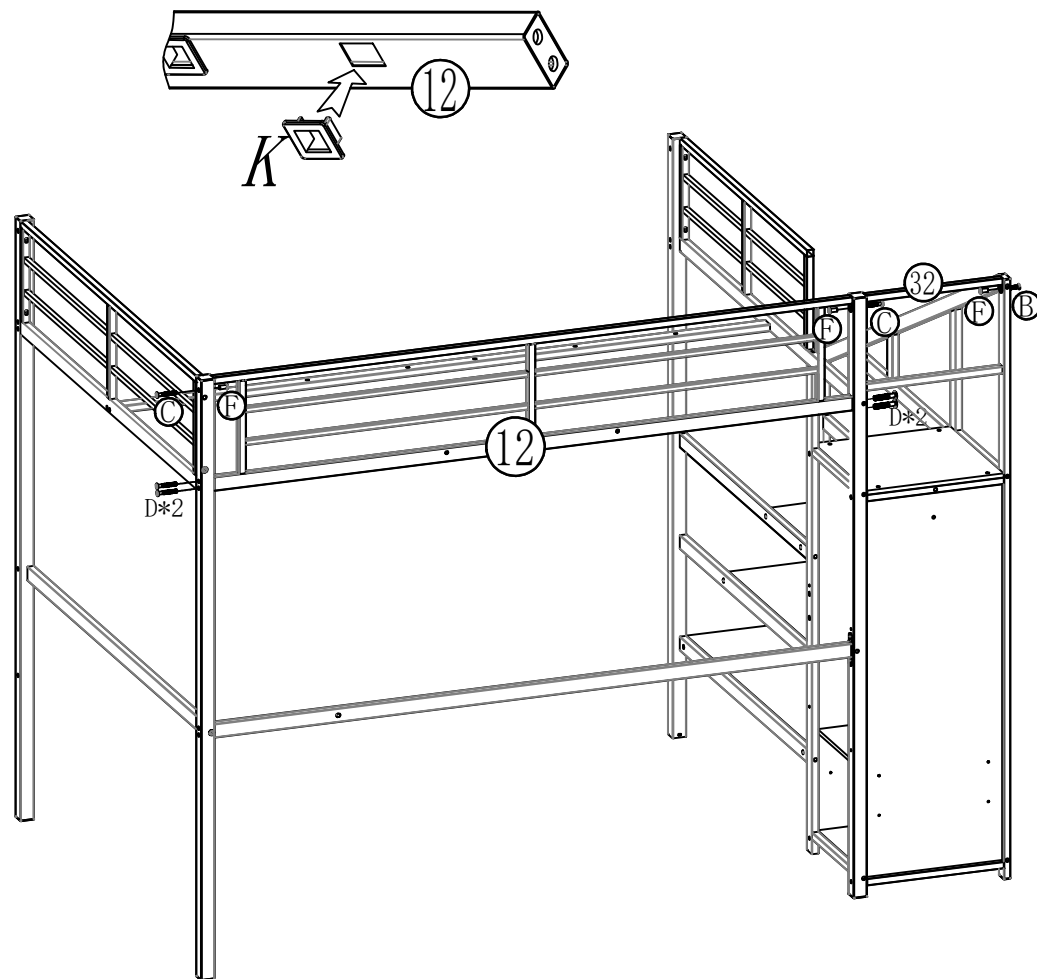


L

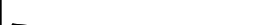
Step 11: Install part #K to parts #1 and #12, then Use hardware L, C, D, F to connect #8 and #13 to the previously installed components.



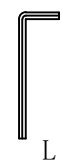
Step 12: Install part #K to parts #12, Then use hardware L, B, C, D, F to connect #12 and #32 to the previously installed components.



13-1pcs



8-1pcs



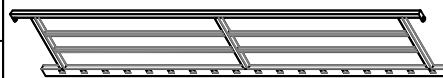
B 8*15-2PCS



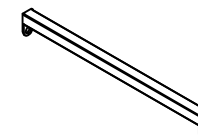
C 8*35-4PCS



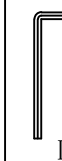
D 8*55-2PCS



12-1pcs



32-1pcs



B 8*15-1PCS



C 8*35-2PCS

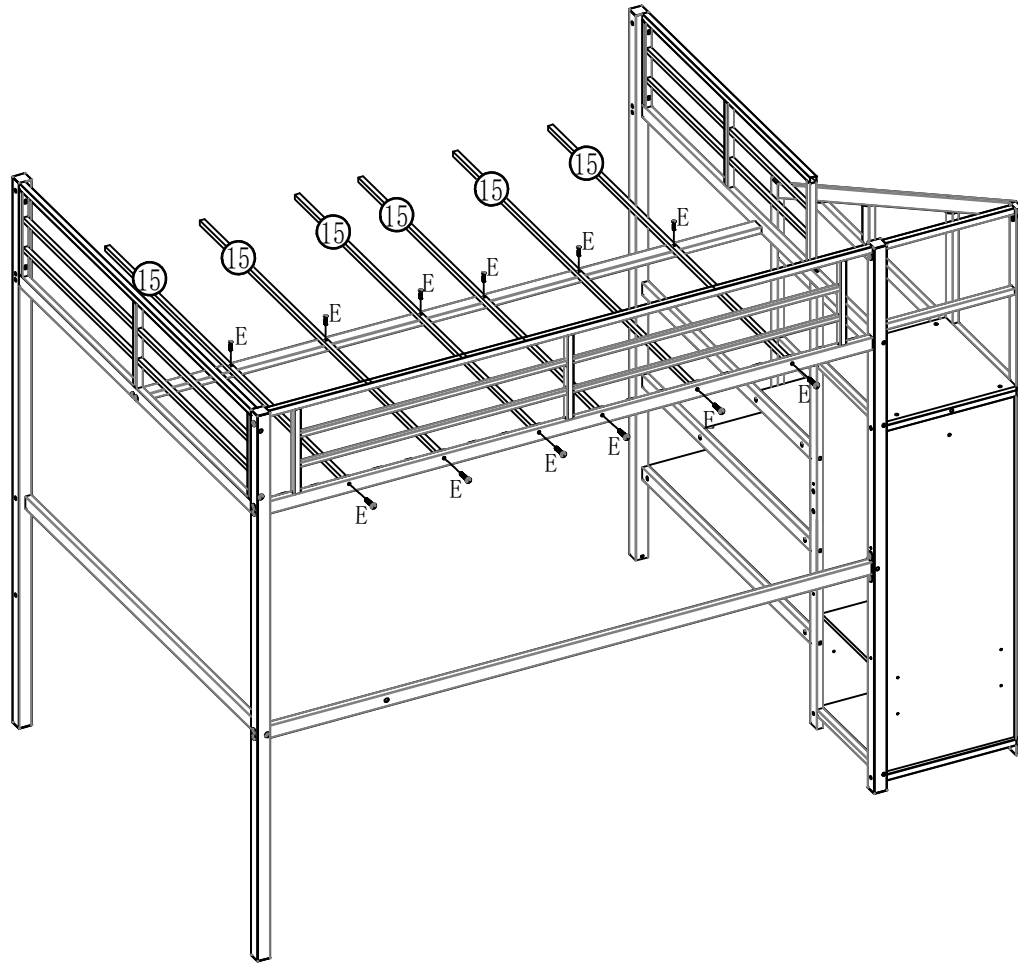


D 8*55-4PCS

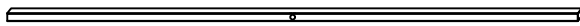
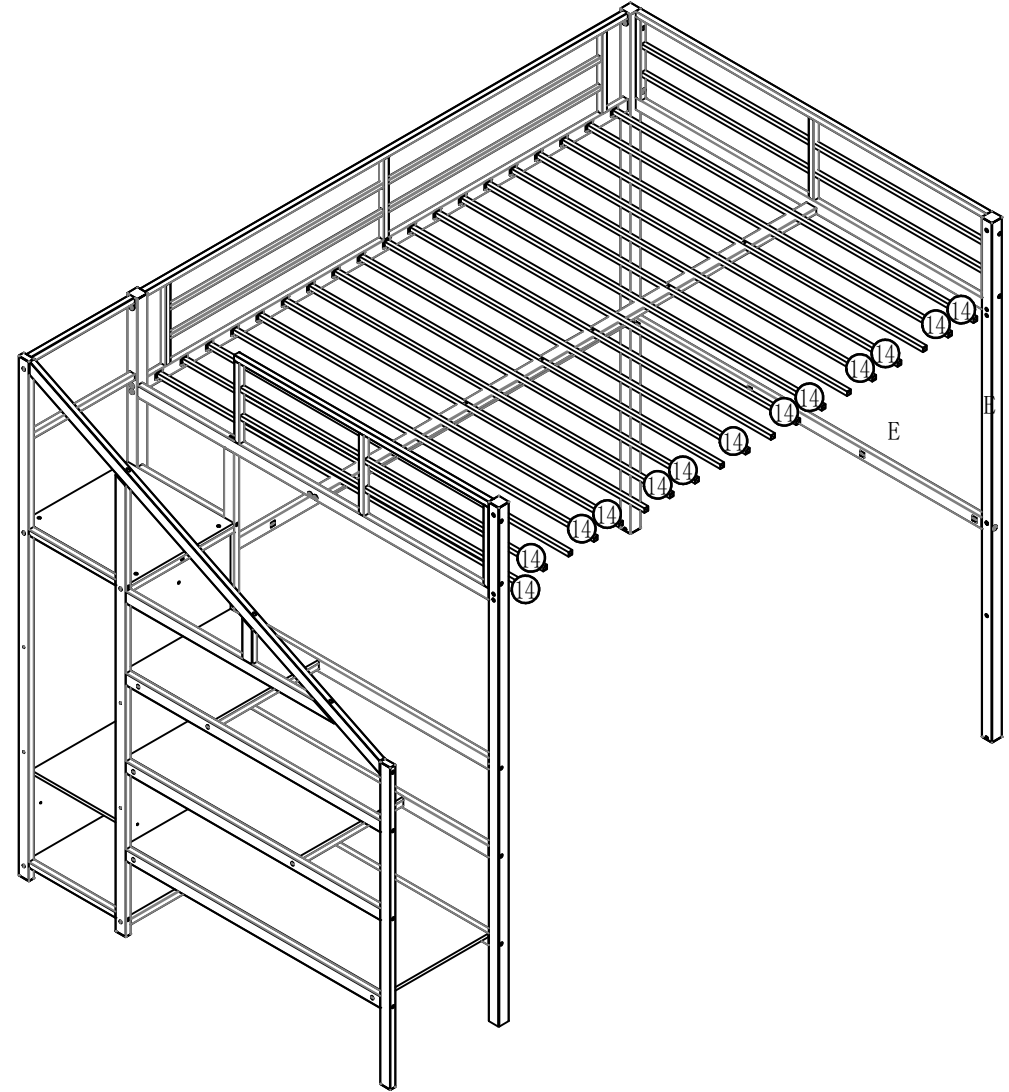


F 8*15-3PCS

Step 13: Use hardware L、E to connect #15 to the previously installed components.



Step 14: Connect #14 to the previously installed components.



15-6pcs



E
6*30-12PCS

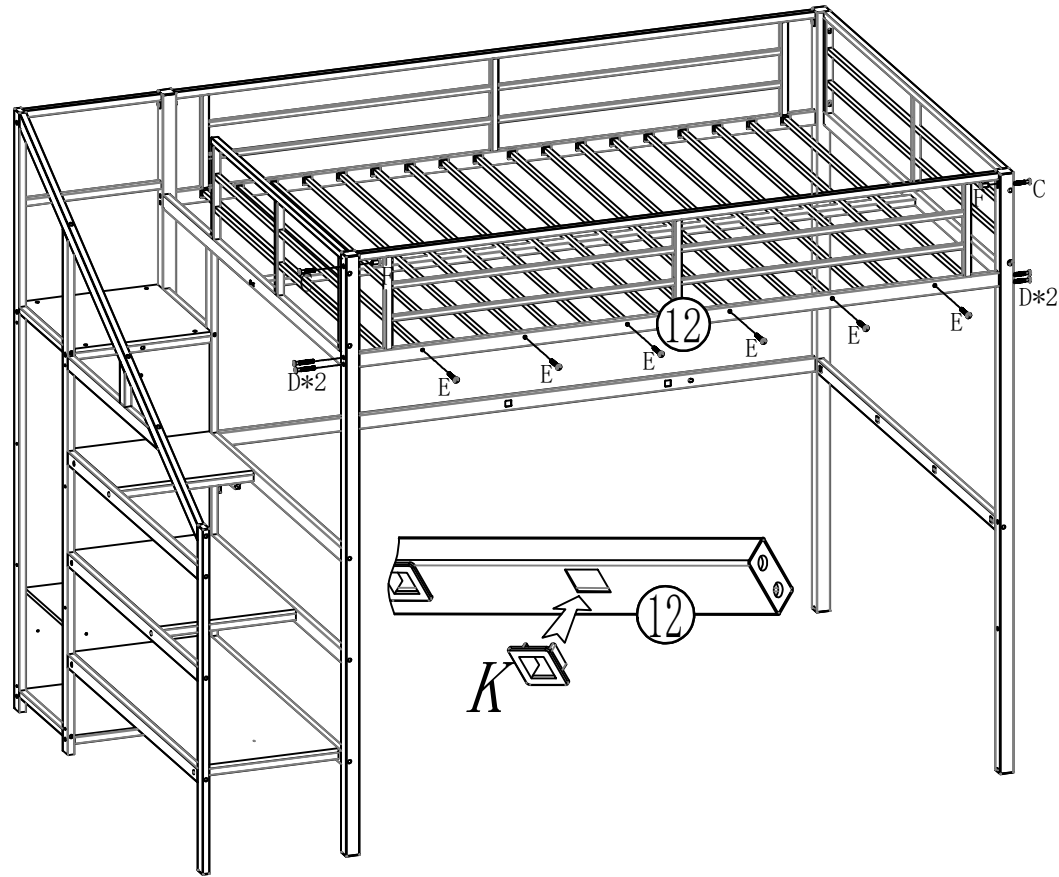


L

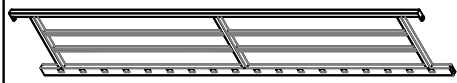
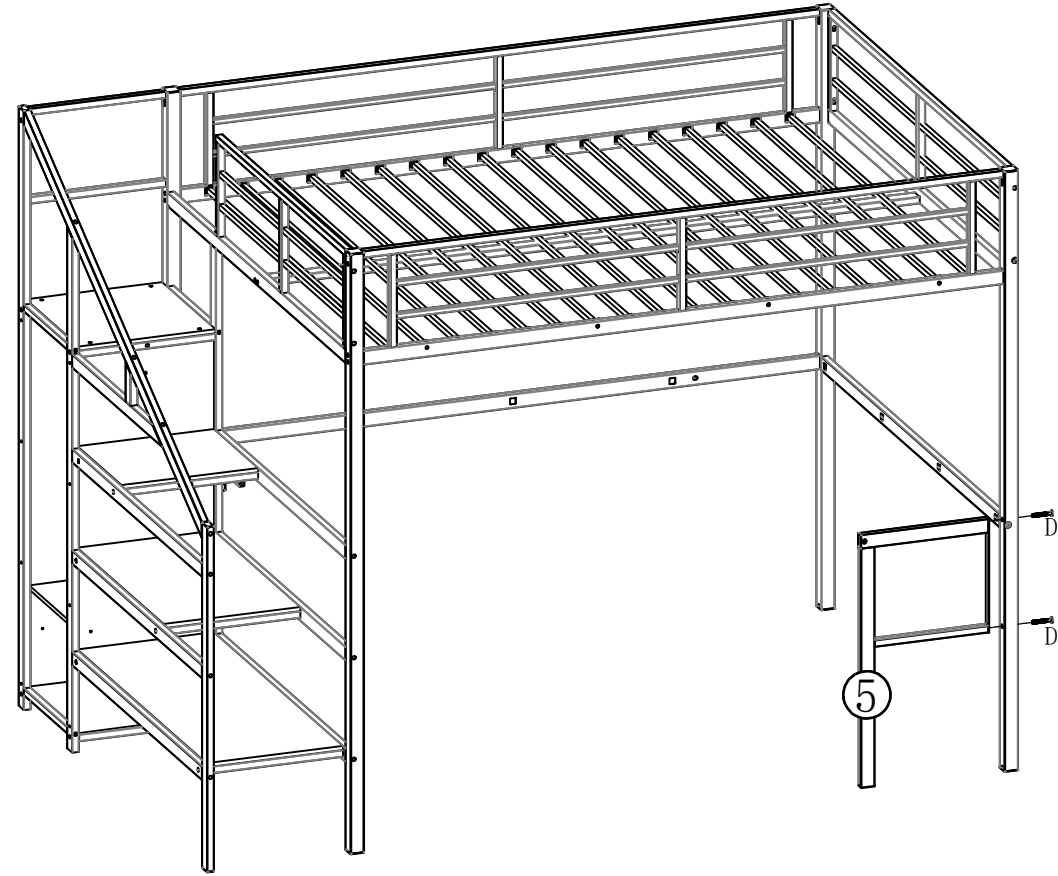


14-13pcs

Step 15: Install part #K to parts #12, Then use hardware L、C、D、E、F to connect #12、 #14 and #15 to the previously installed components.



Step 16: Use hardware L,D to connect #5 to the previously installed components.



12-1pcs



L



C
8*35-2PCS



F
8*15-2PCS



D 8*55-4PCS



E
6*30-6PCS



5-1pcs

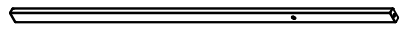
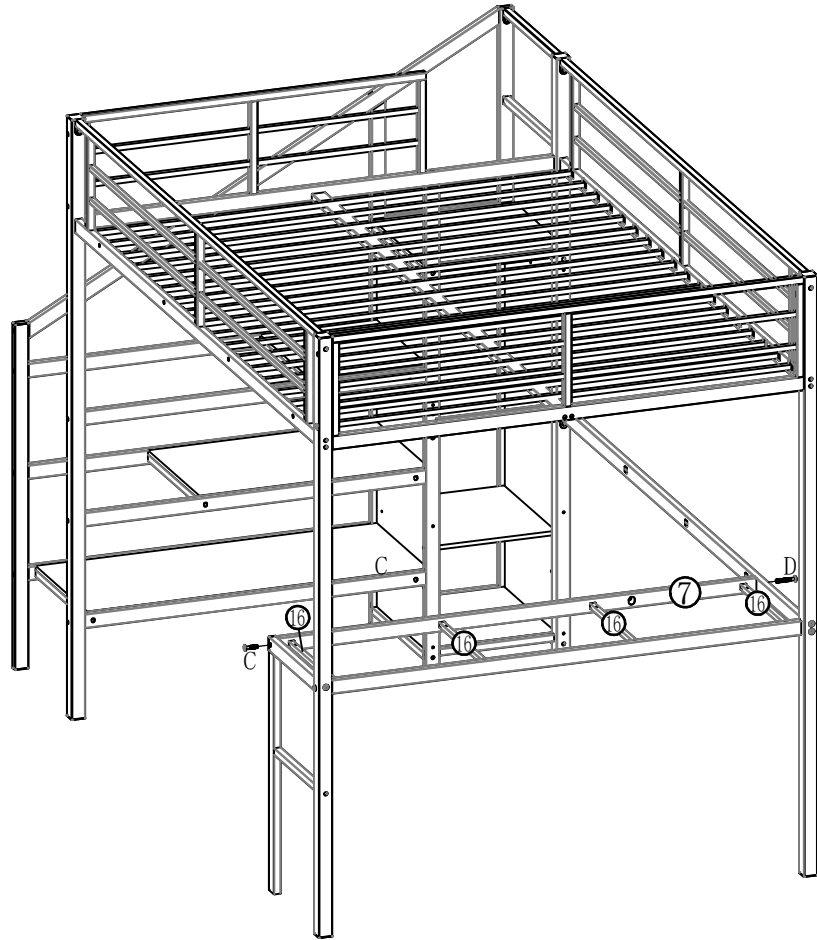


D 8*55-2PCS

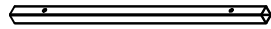


L

Step 17: Use hardware L,C to connect #7 and #16 to the previously installed components.



7-1pcs



16-4pcs

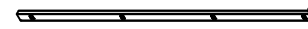
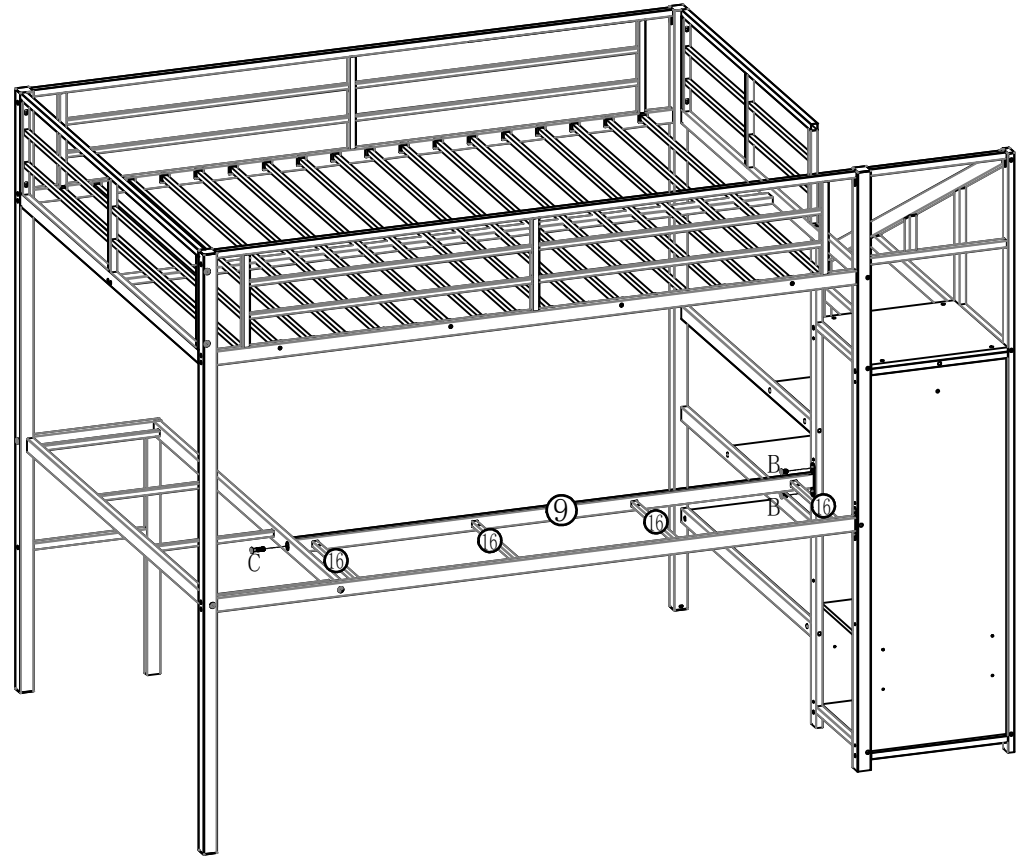


C
8*35-2PCS

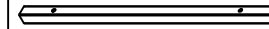


L

Step 18: Use hardware L,B,C to connect #9 and #16 to the previously installed components.



9-1pcs



16-4pcs



B
8*15-2PCS

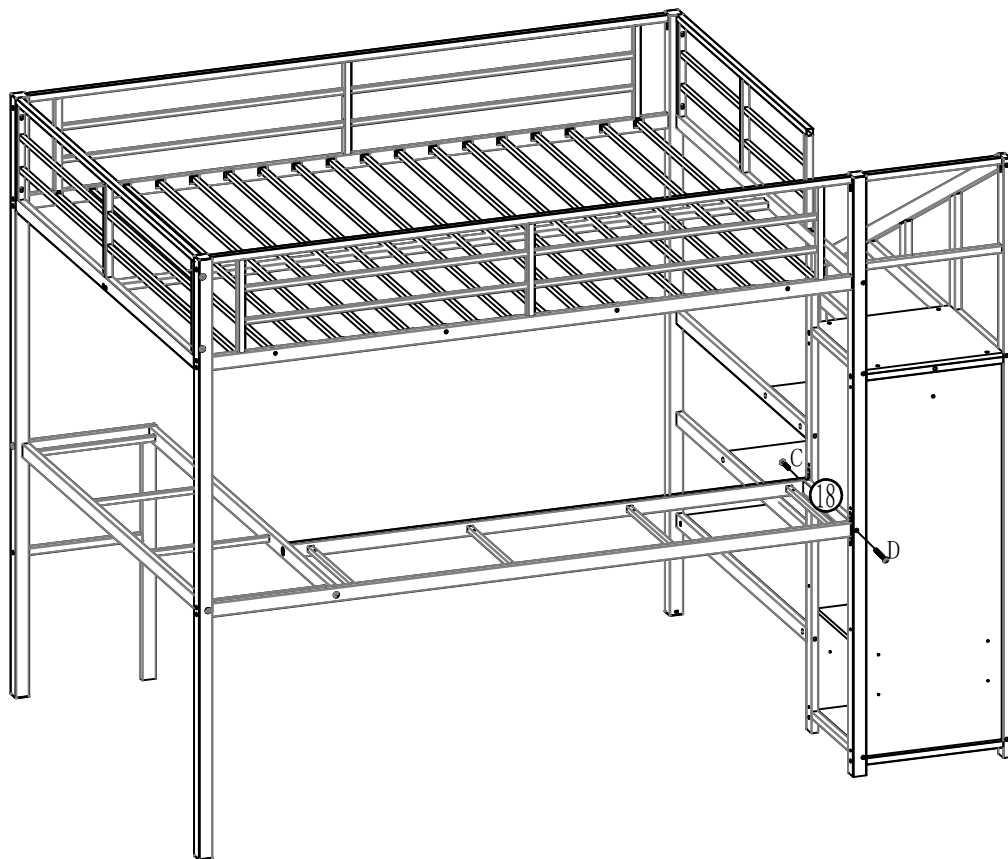


C
8*35-1PCS

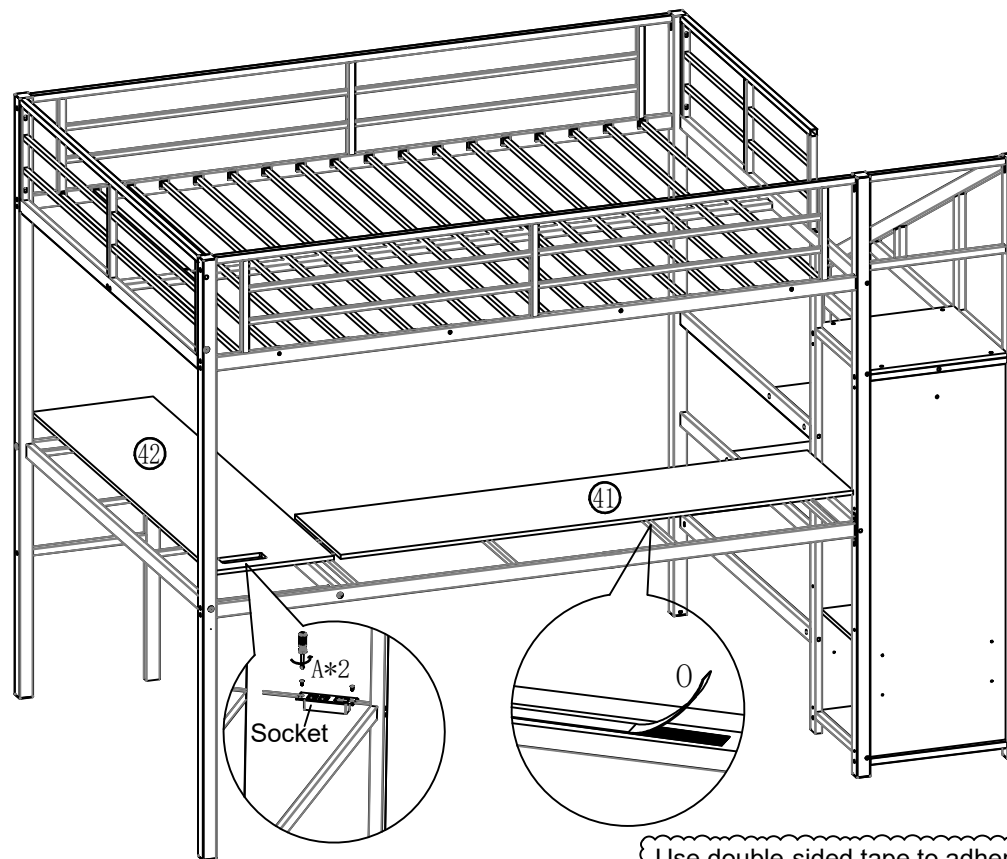


L

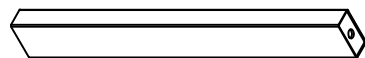
Step 19: Use hardware L、C、D to connect #18 to the previously installed components.



Step 20: Use hardware L,M,A,O to connect #41,#42 and P (socket) to the previously installed components.



Use double-sided tape to adhere the wooden board to the iron pipe.



18-1pcs



L

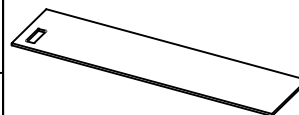


C

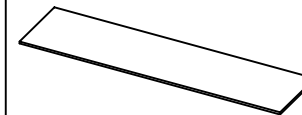
8*35-1PCS



D 8*55-1PCS



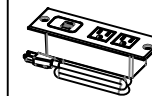
41-1pcs



42-1pcs



O

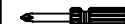


P

Socket-1pcs

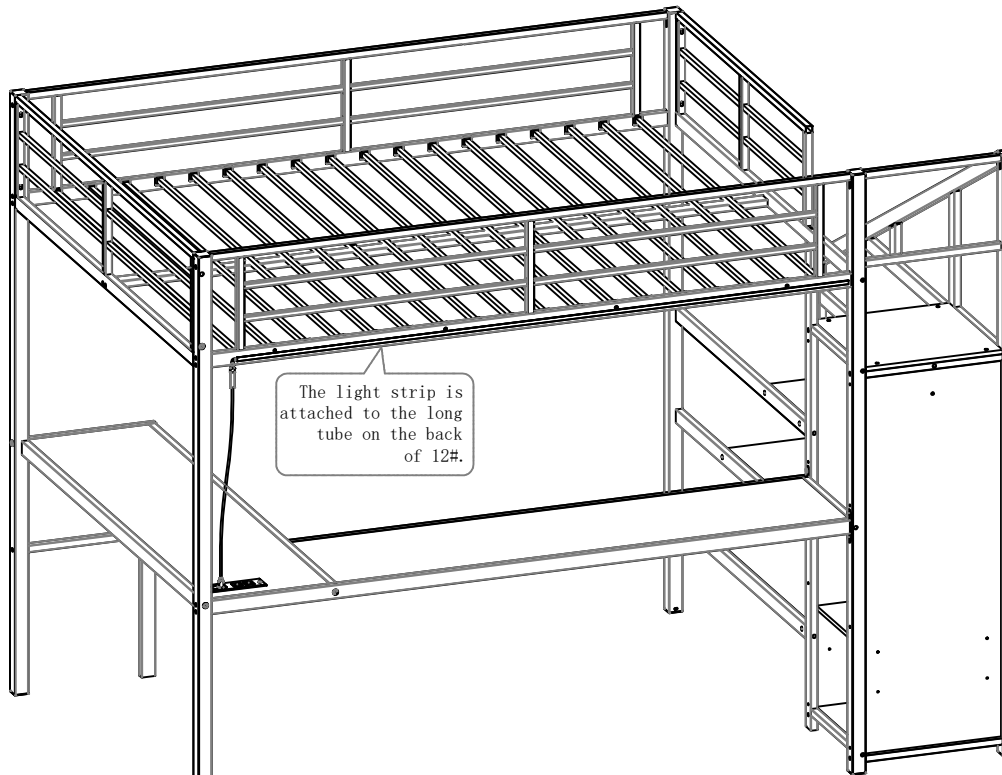


A 4*10-2PCS

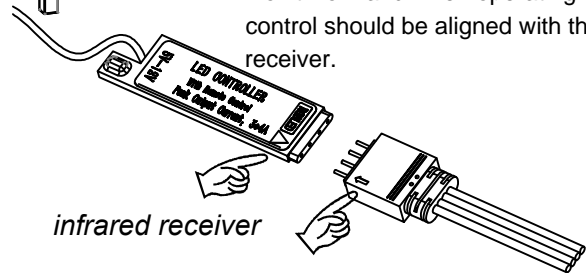


M

Step 21: Stick part Q (light strip) at back of #12 and connect the part P (socket) with USB.

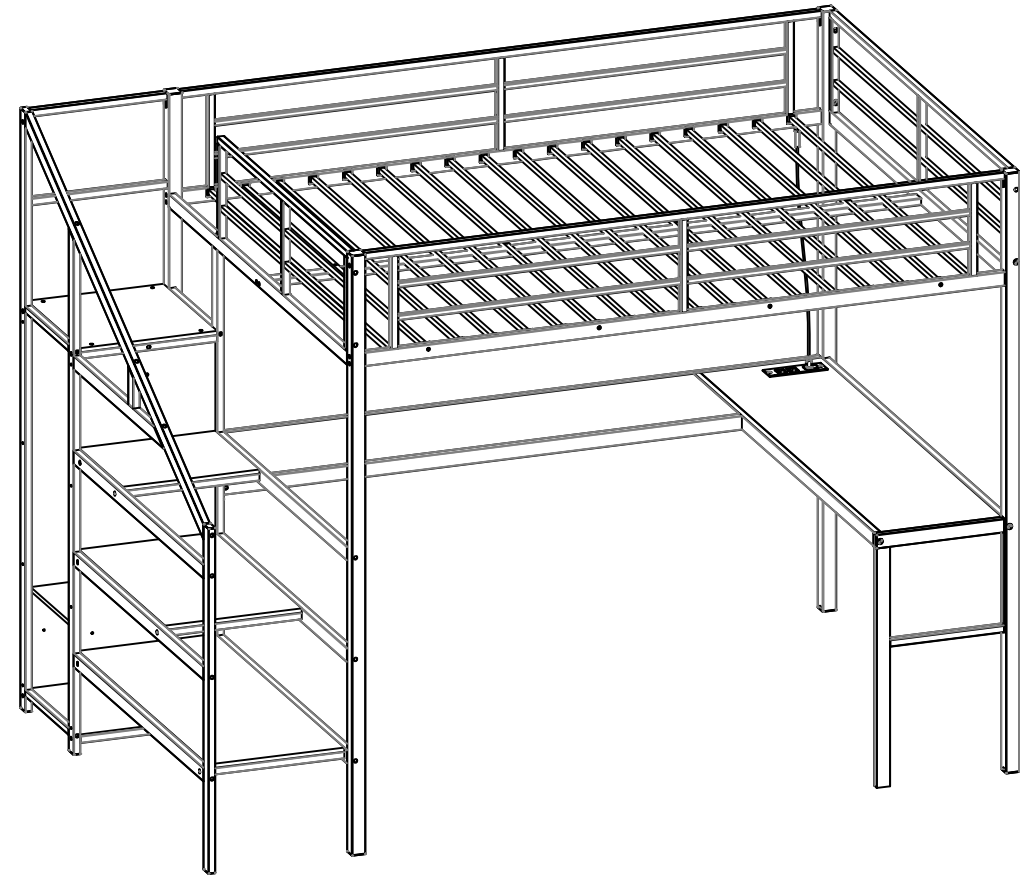


Don't plug it in the wrong way, or the light won't work and when operating the remote control should be aligned with the infrared receiver.



Q
Light strips
1pcs

Completed loft bed



Please tighten all screws before use, thank you.