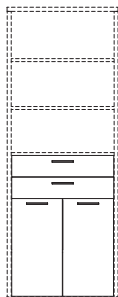
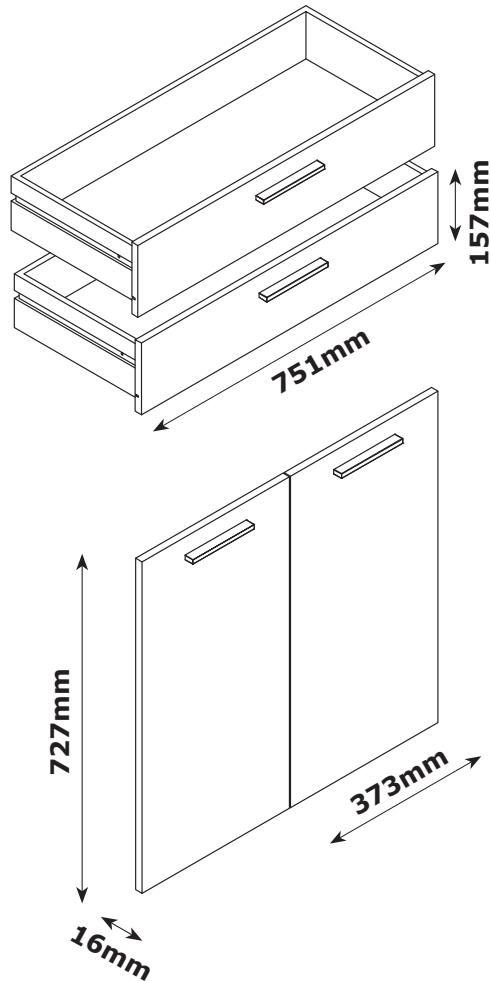


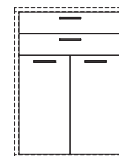
# AN4868K69104



MIX  
Wood from  
responsible sources  
FSC® C011298

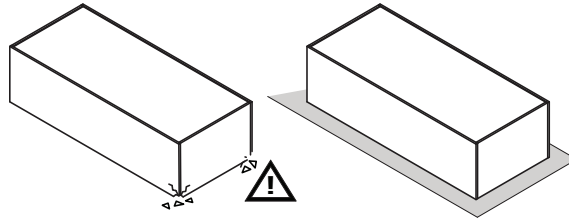
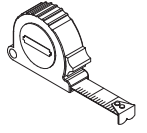
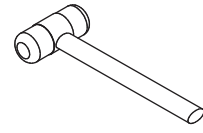
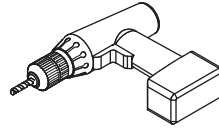
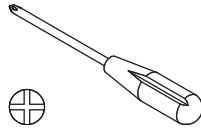
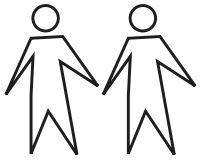


**A**

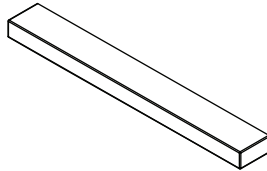


**B**

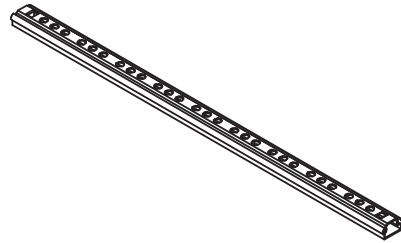
QF5465



**BU4602**

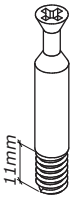


**M203**  
x4

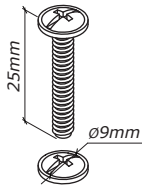


**A10**  
x4

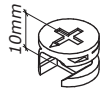
**BU4598**



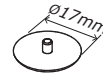
**T28**  
x4



**V137**  
x8



**T98**  
x4



**G136**  
x4



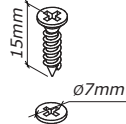
**H113**  
x10



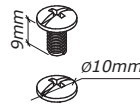
**G160**  
x4



**H54**  
x8

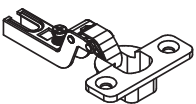


**V5**  
x8

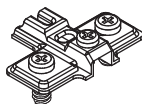


**V38**  
x4

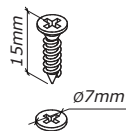
**BU0523**



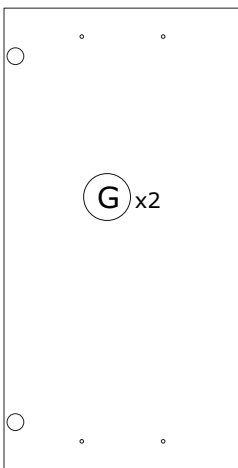
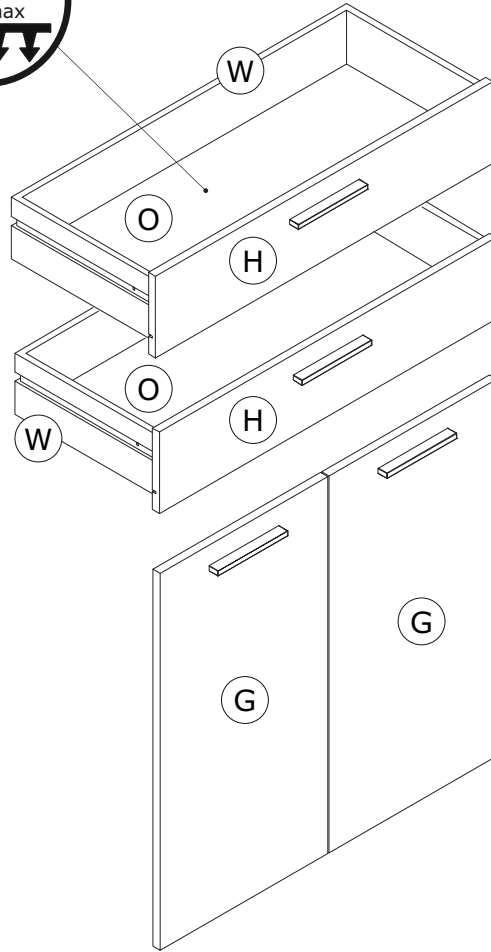
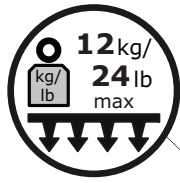
**C39**  
x4



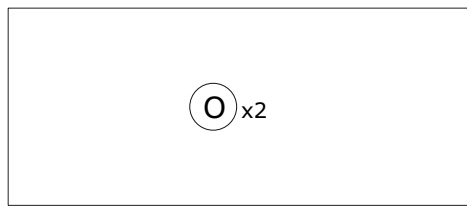
**B9**  
x4



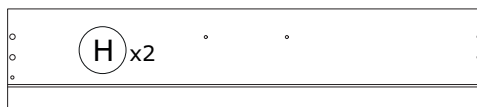
**V5**  
x8



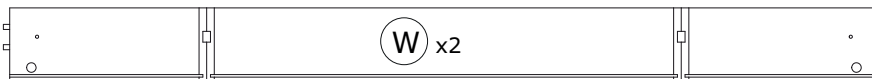
**AN3009**  
727x373x16mm



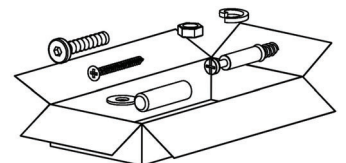
**SH3511**  
734x311x2mm



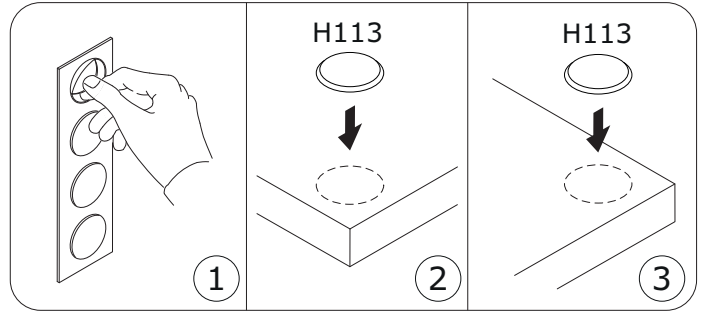
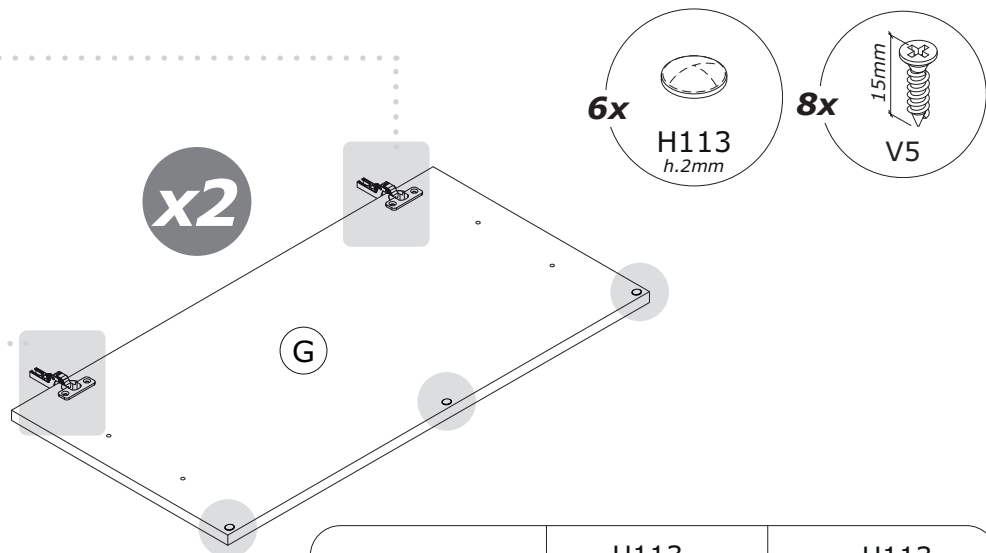
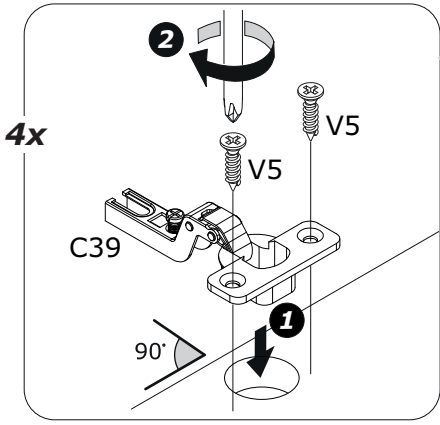
**CS3751**  
751x157x16mm



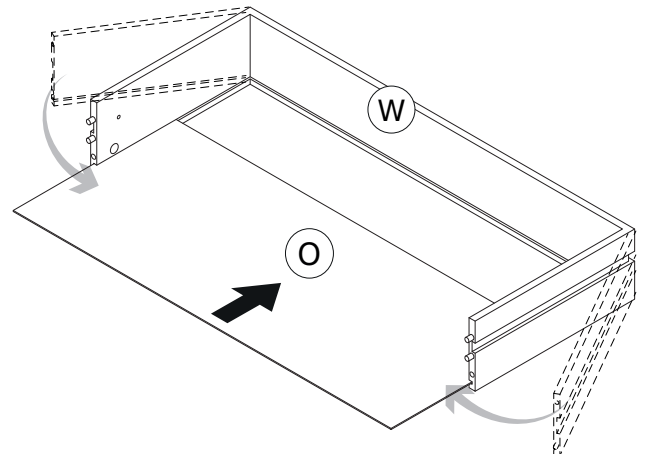
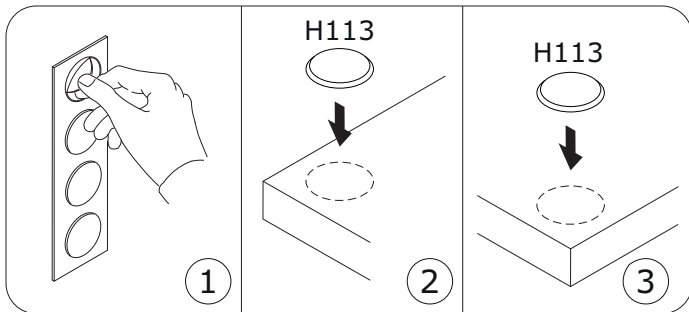
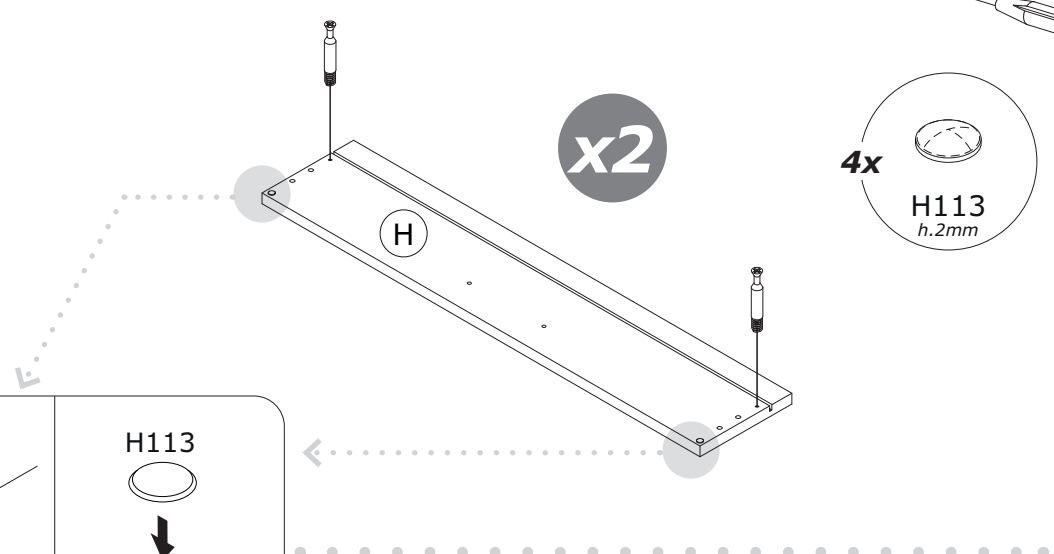
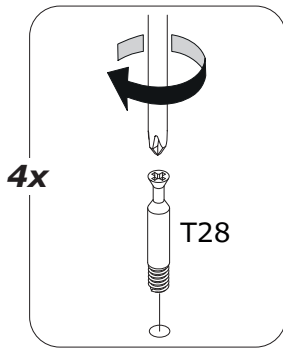
**OF0616**  
310x747x310mm H. 118mm



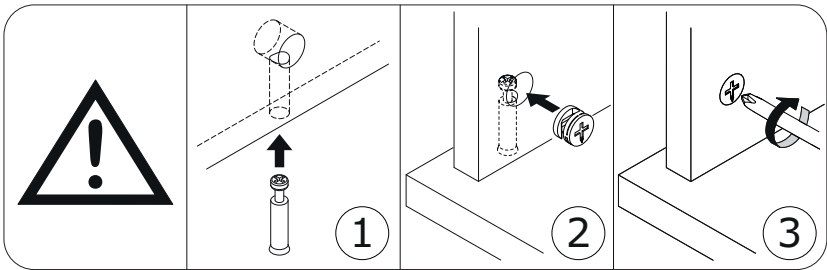
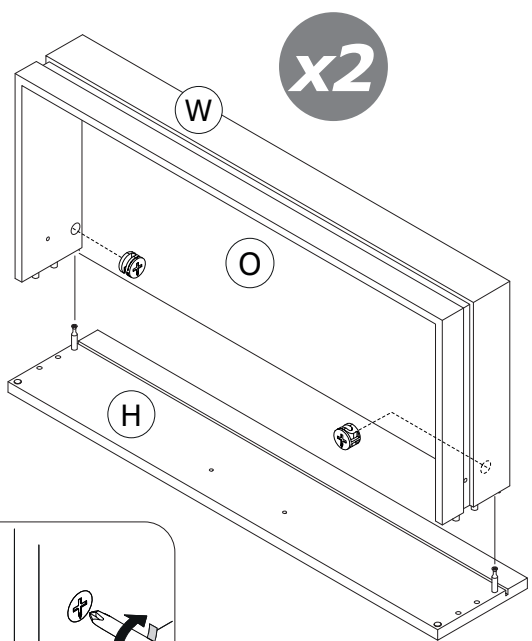
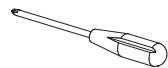
1



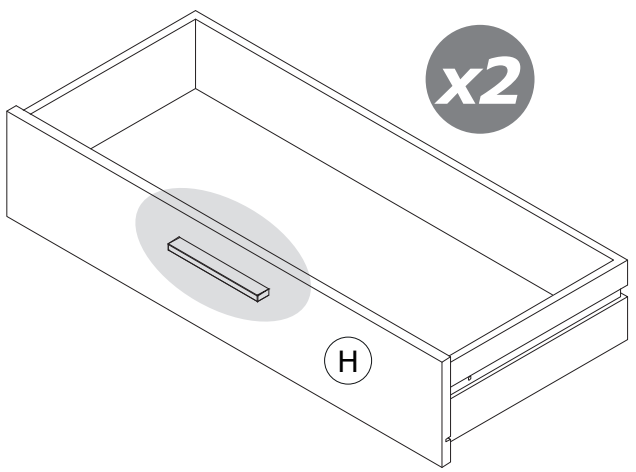
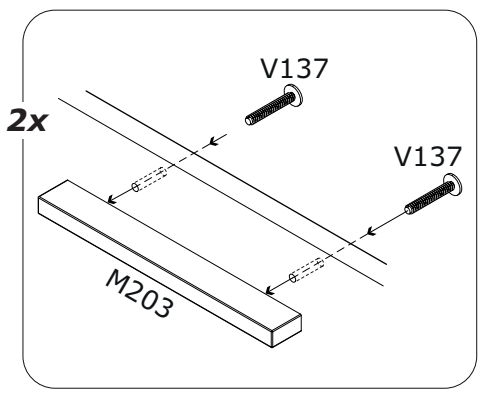
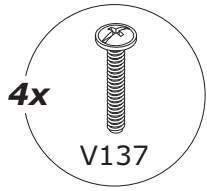
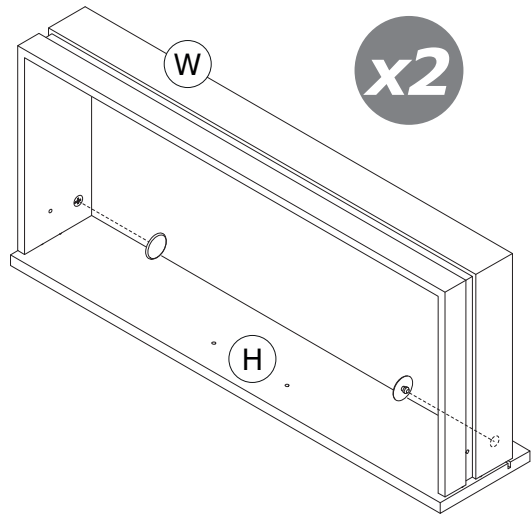
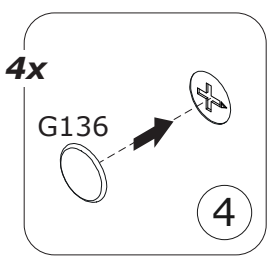
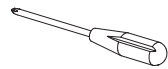
2

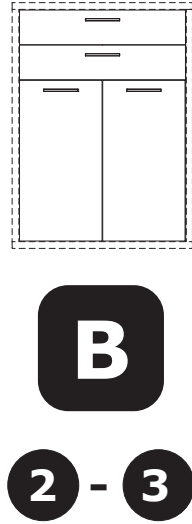
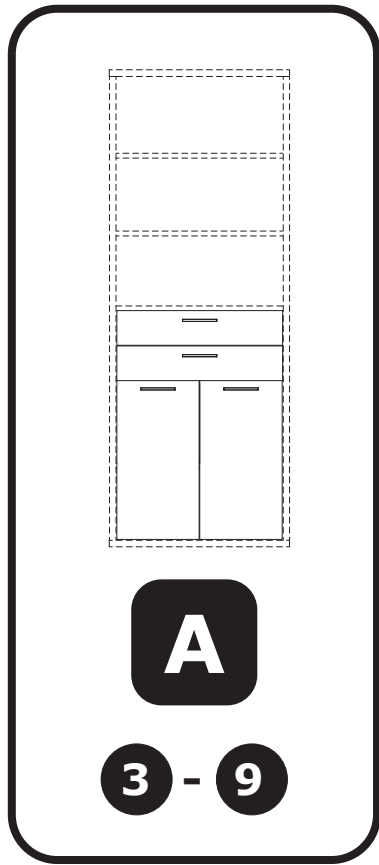


3



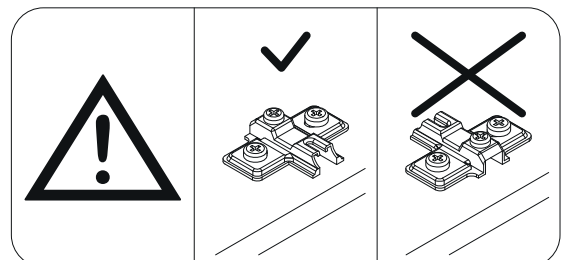
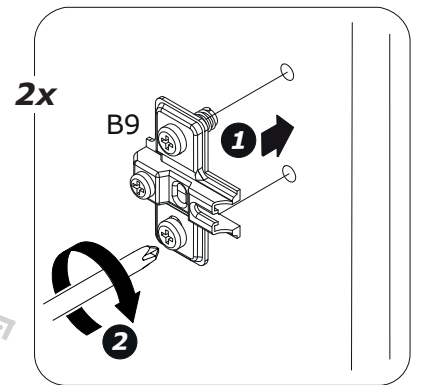
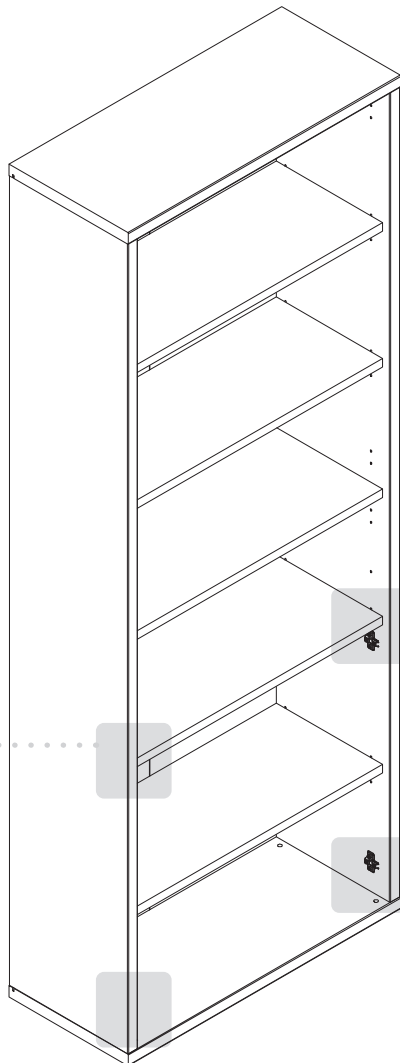
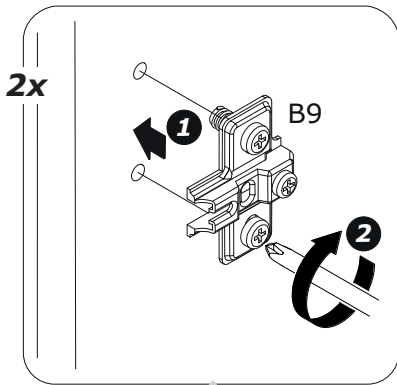
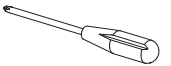
3





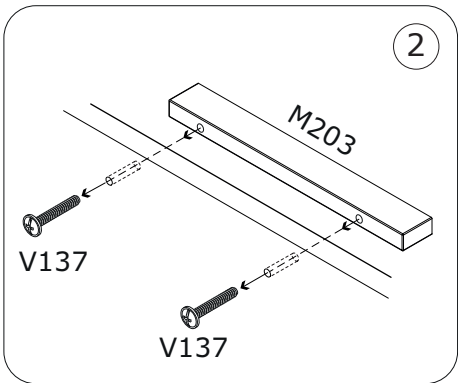
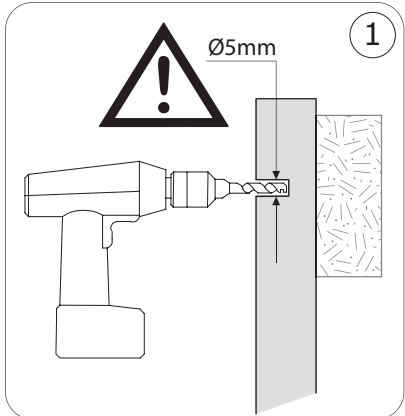
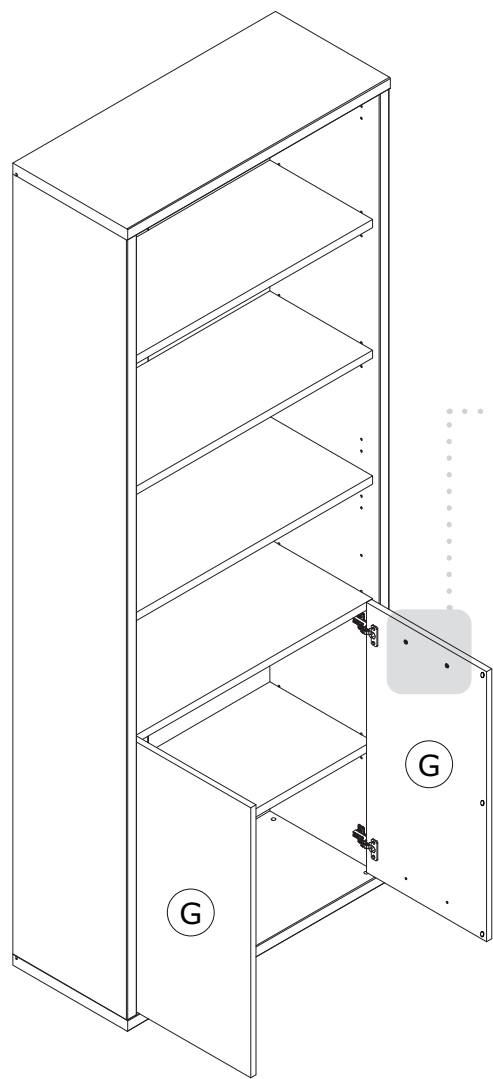
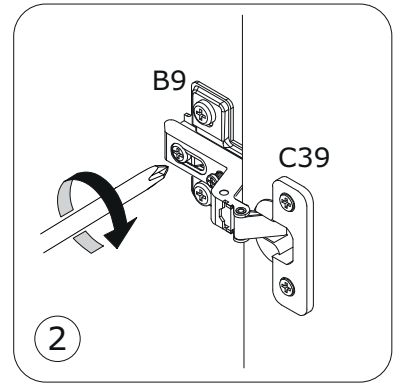
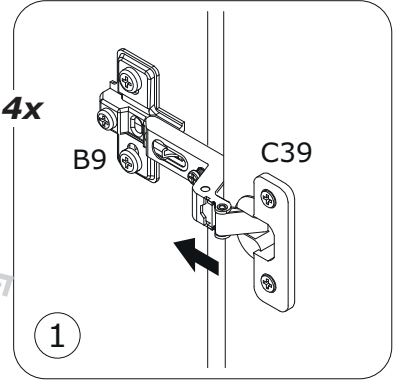
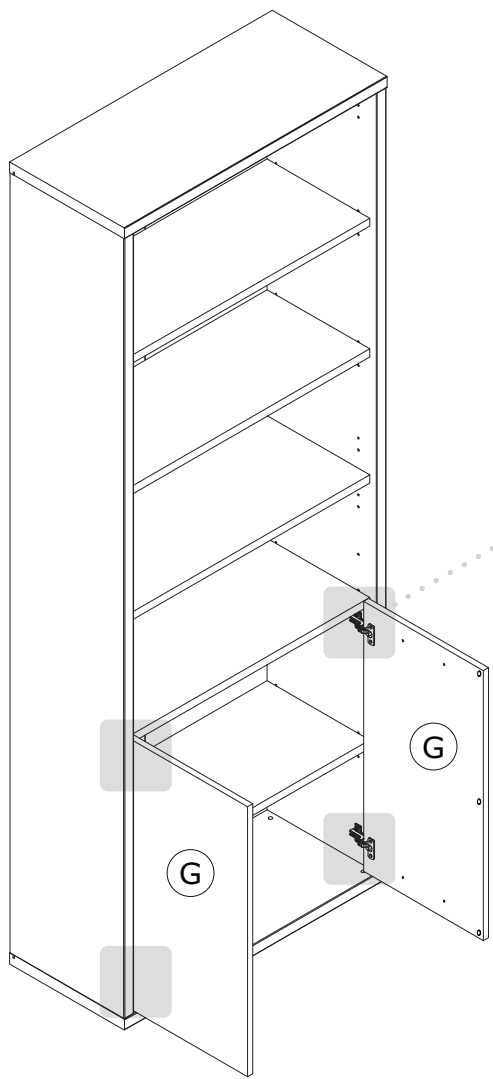
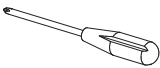
4

**A**



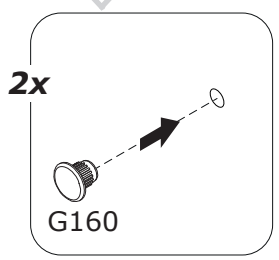
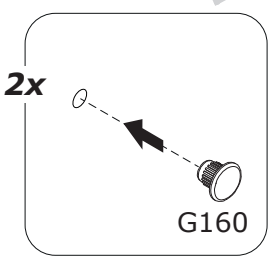
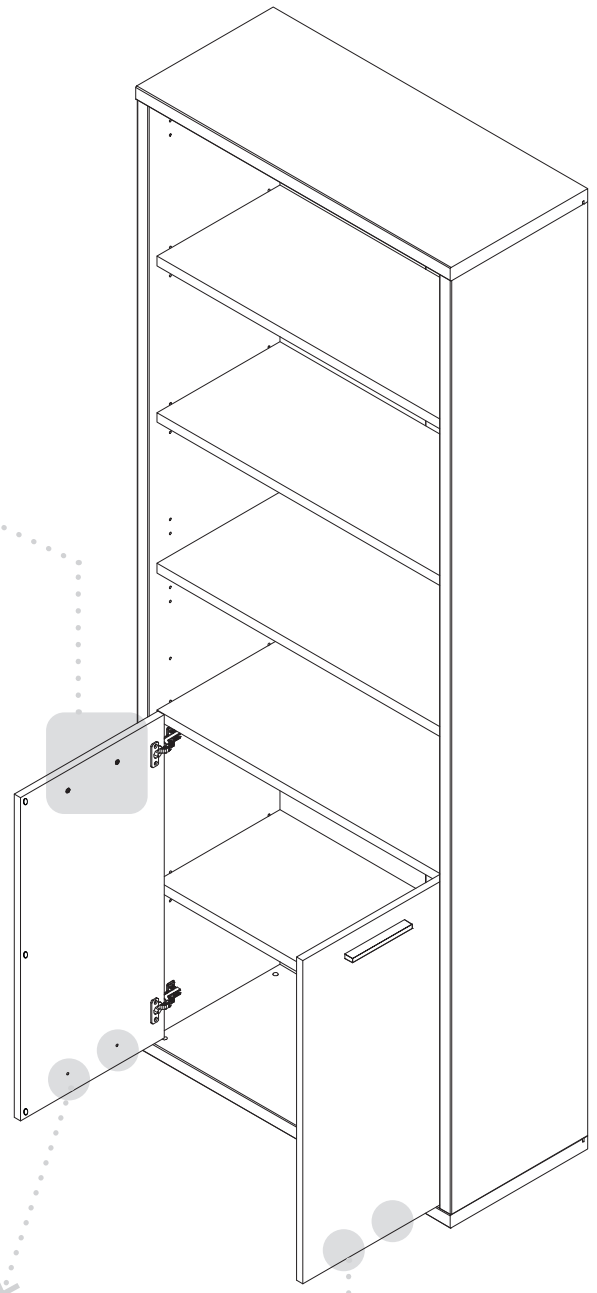
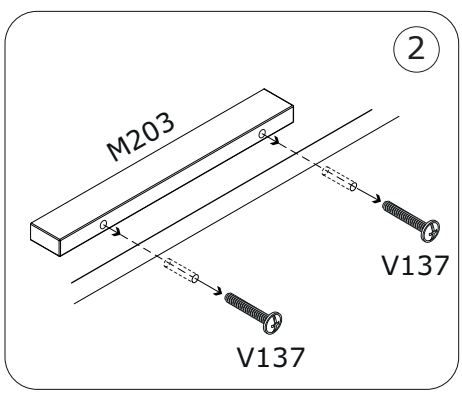
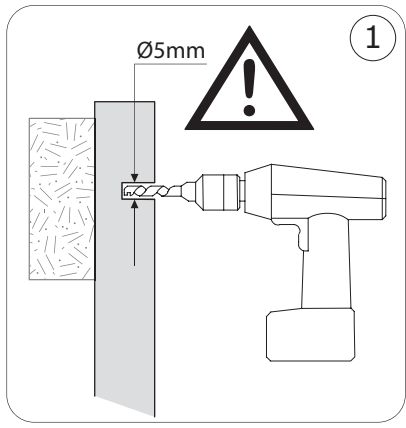
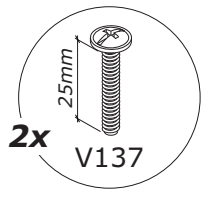
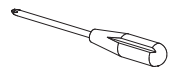
5

A



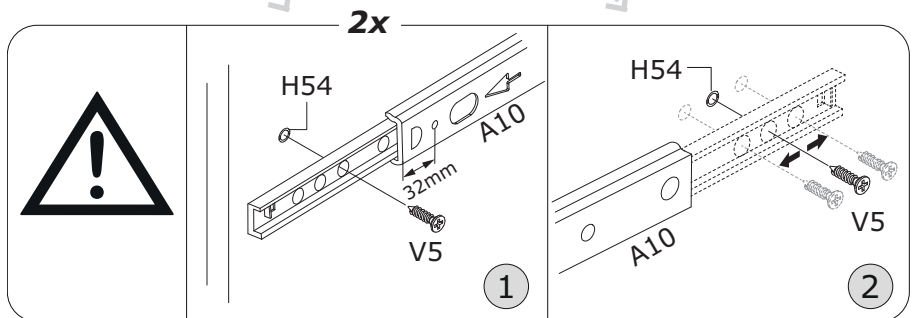
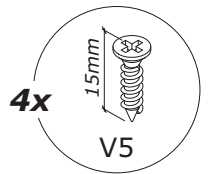
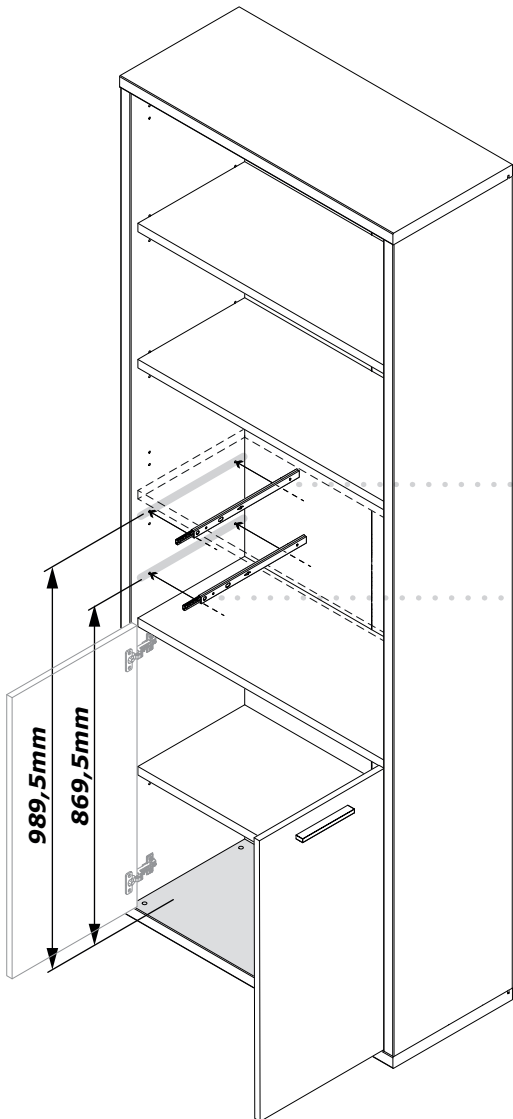
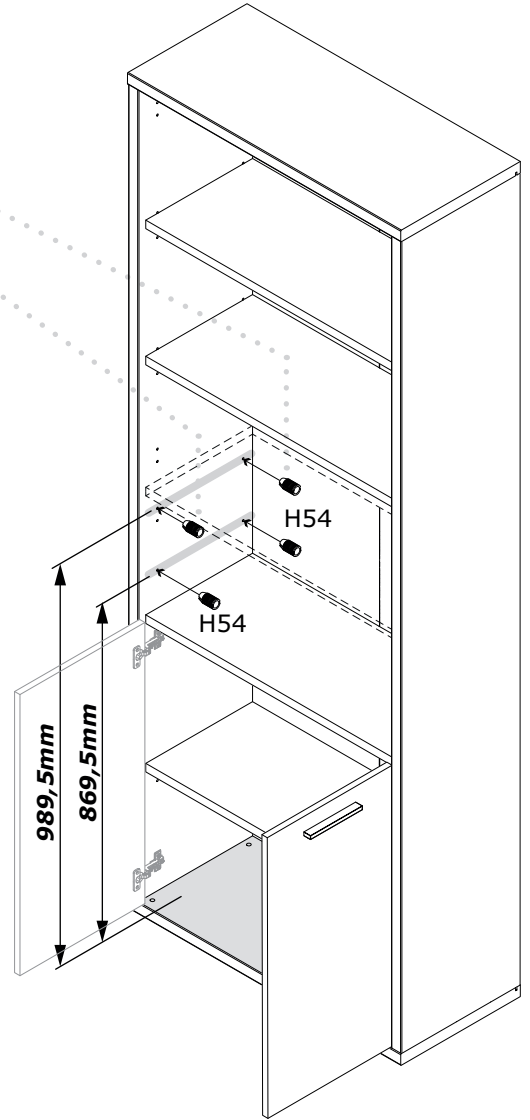
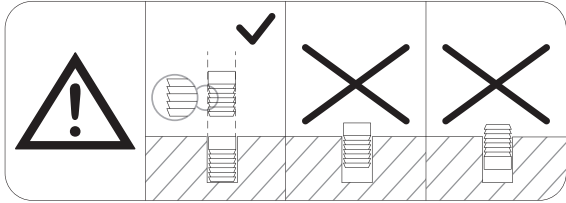
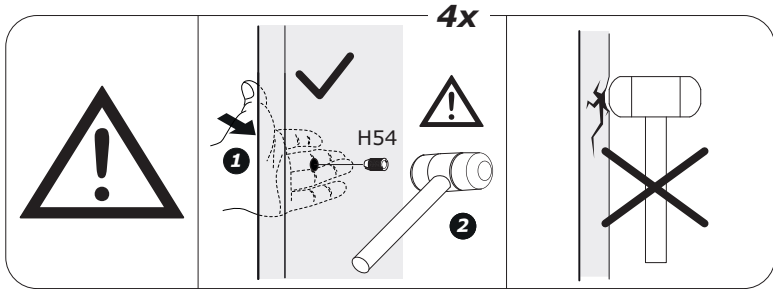
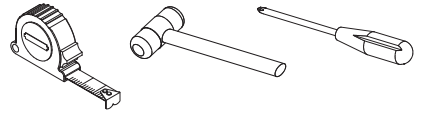
6

A



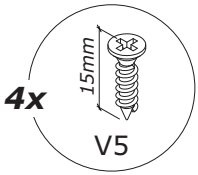
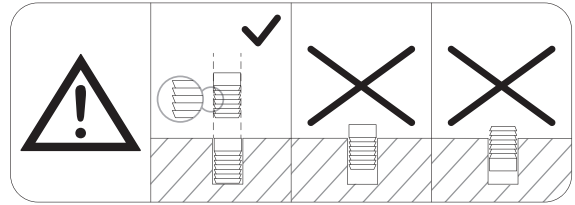
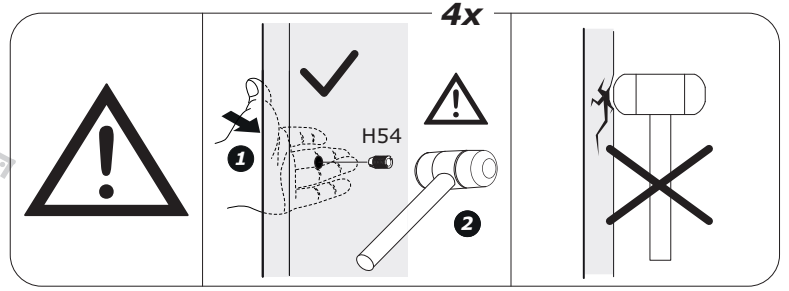
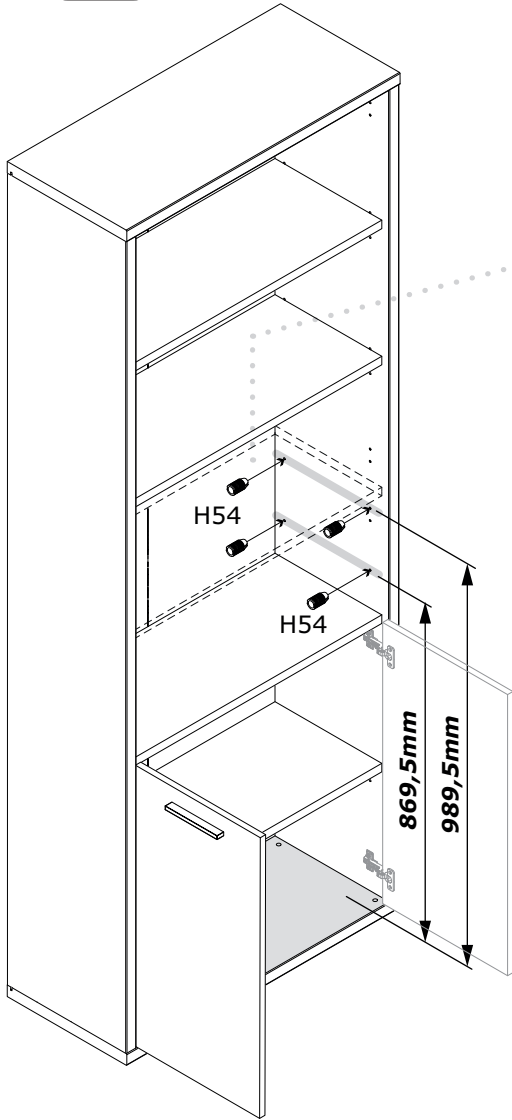
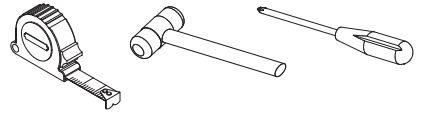
7

A



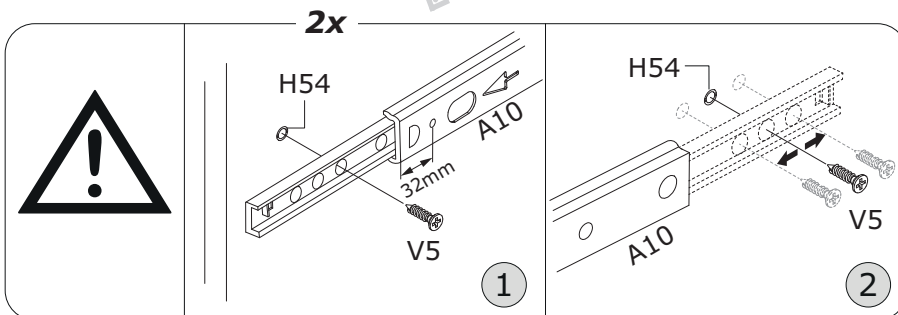
8

A



4x

V5



2x

H54

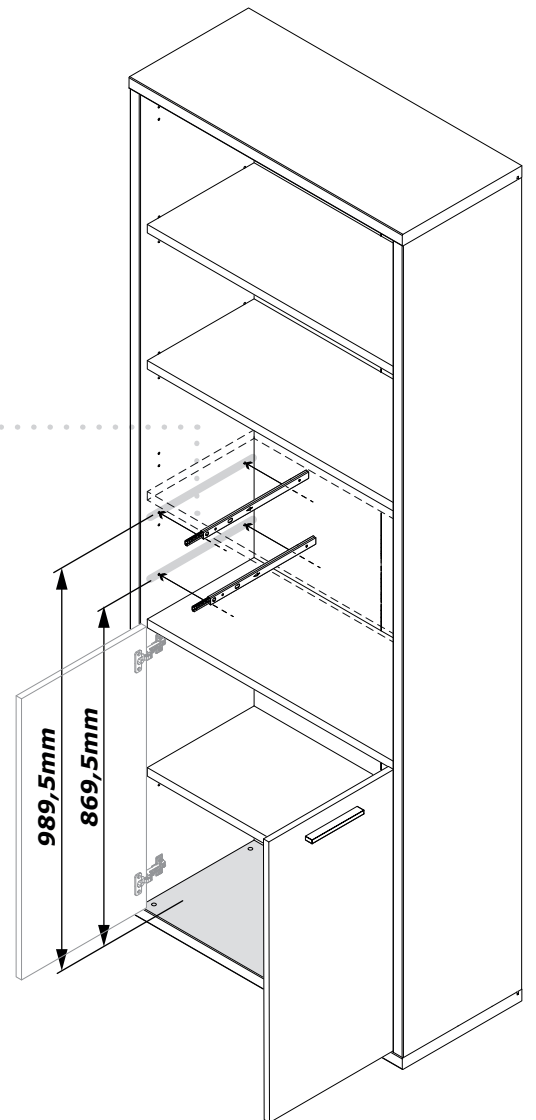
H54

V5

V5

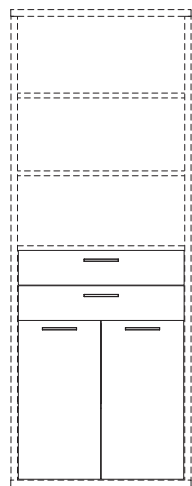
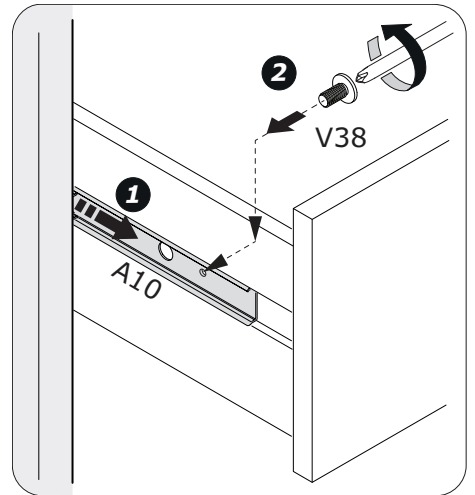
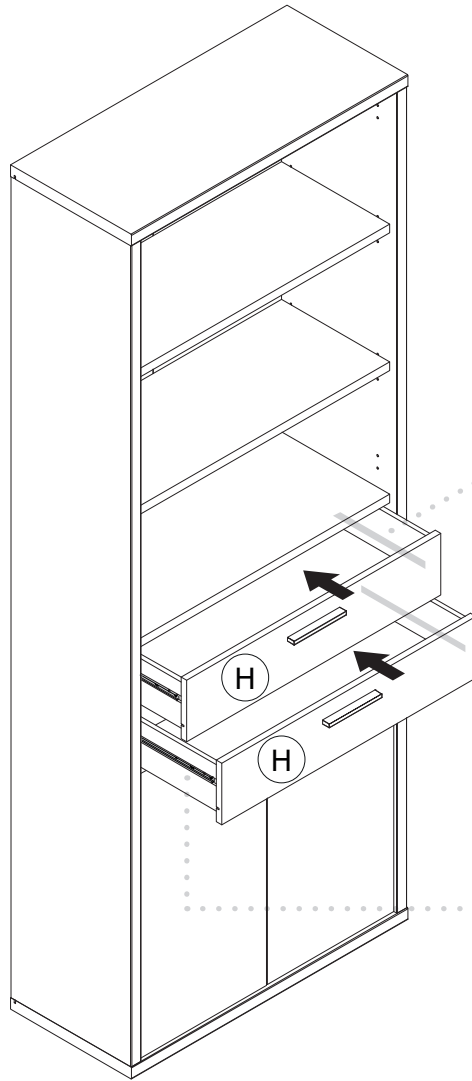
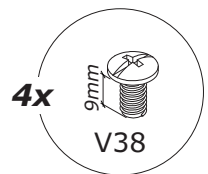
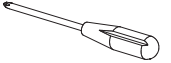
1

2

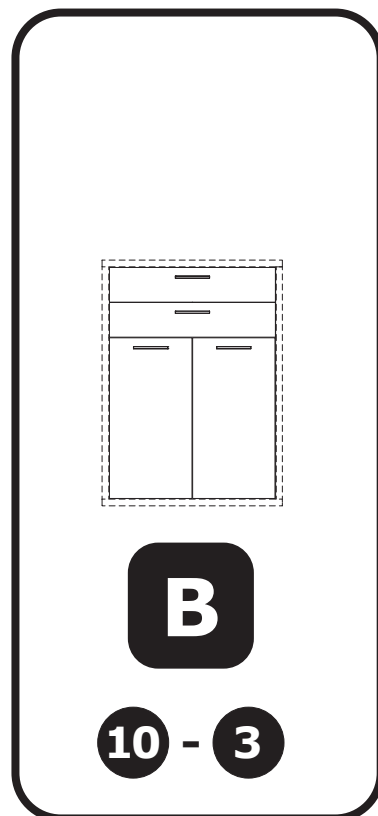


9

**A**



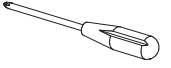
**A**



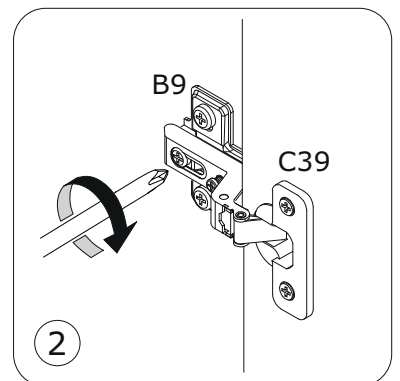
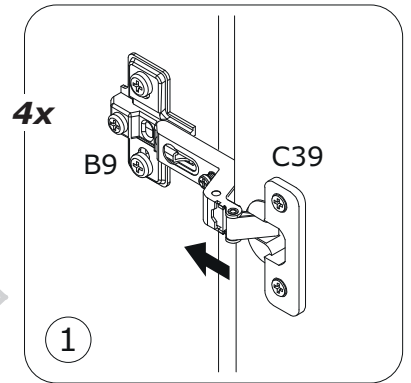
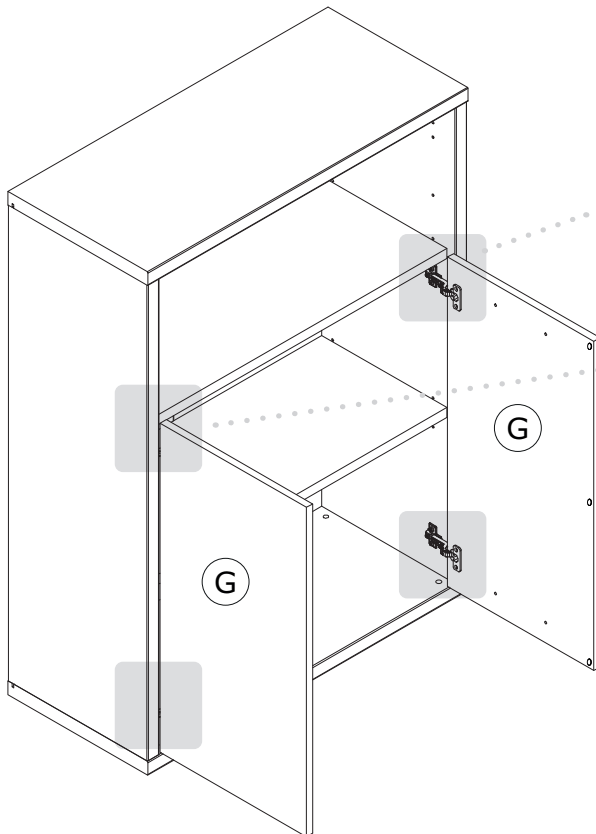
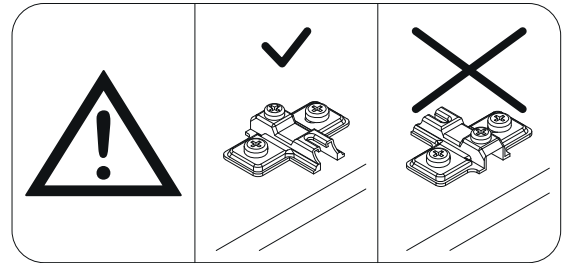
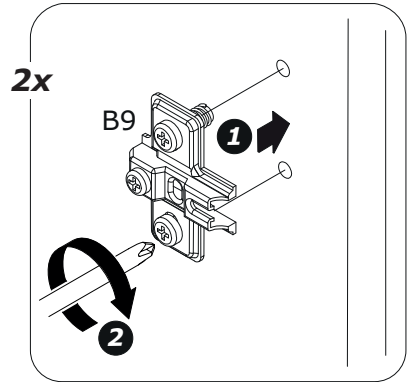
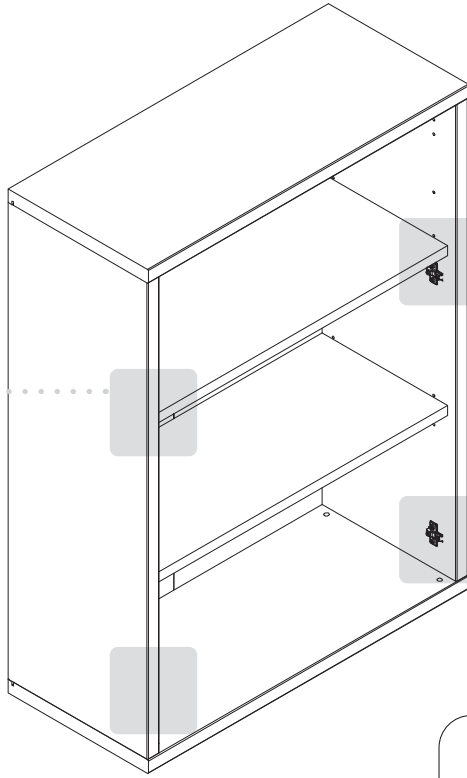
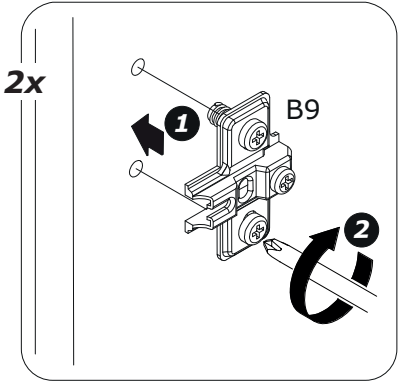
**B**

10 - 3

10

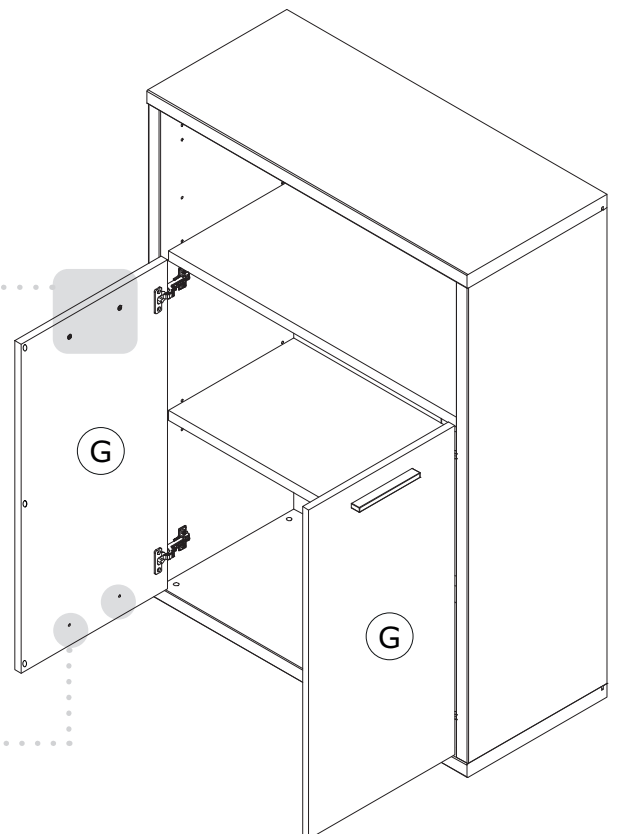
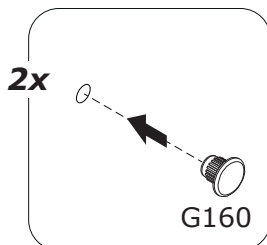
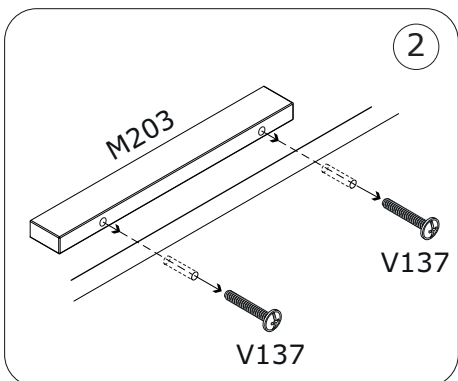
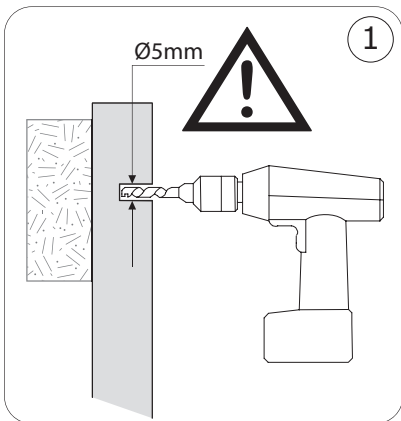
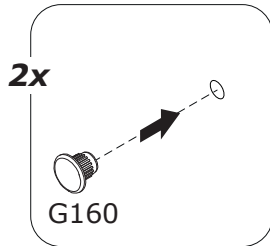
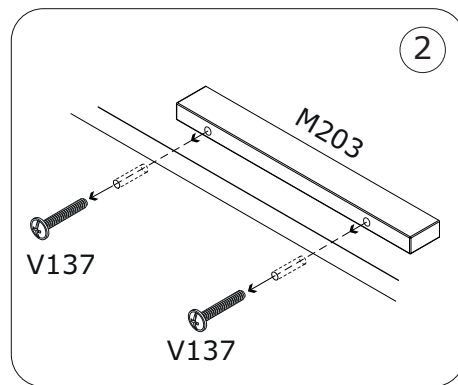
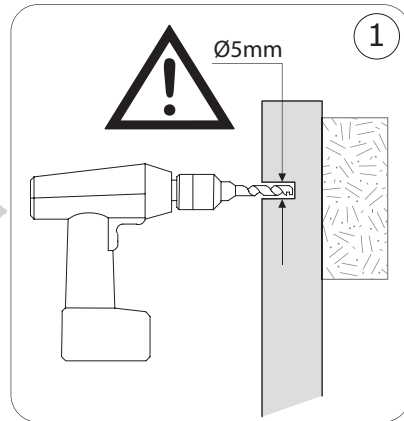
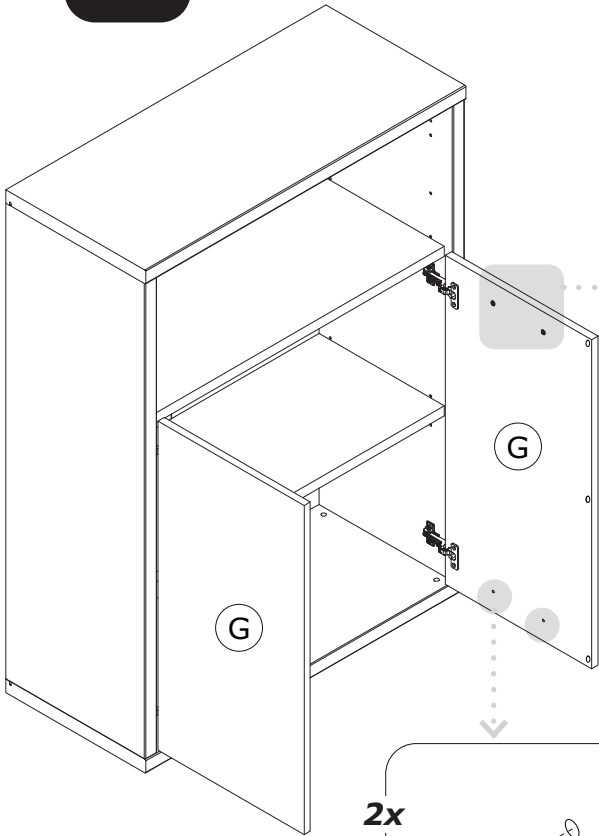
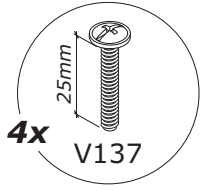
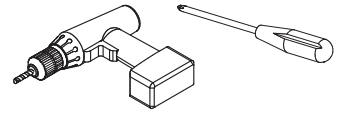


**B**



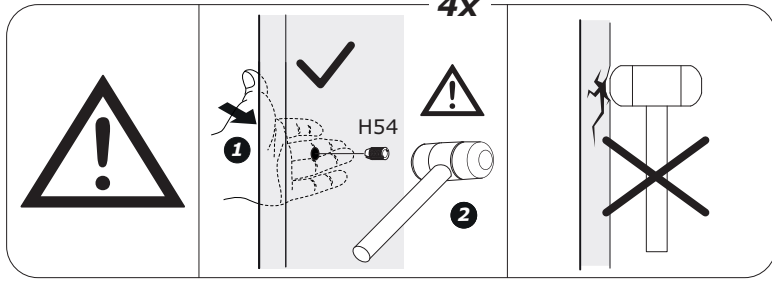
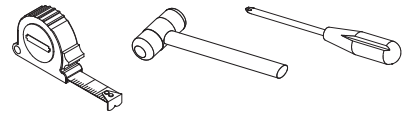
11

**B**

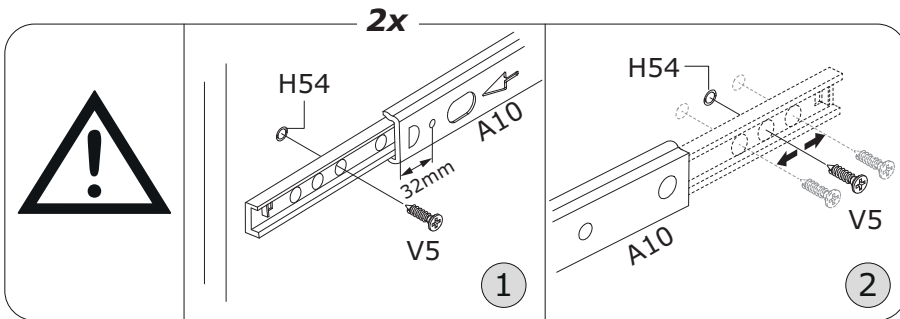
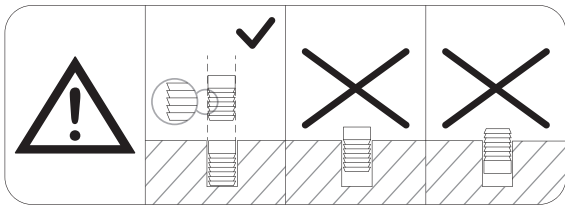
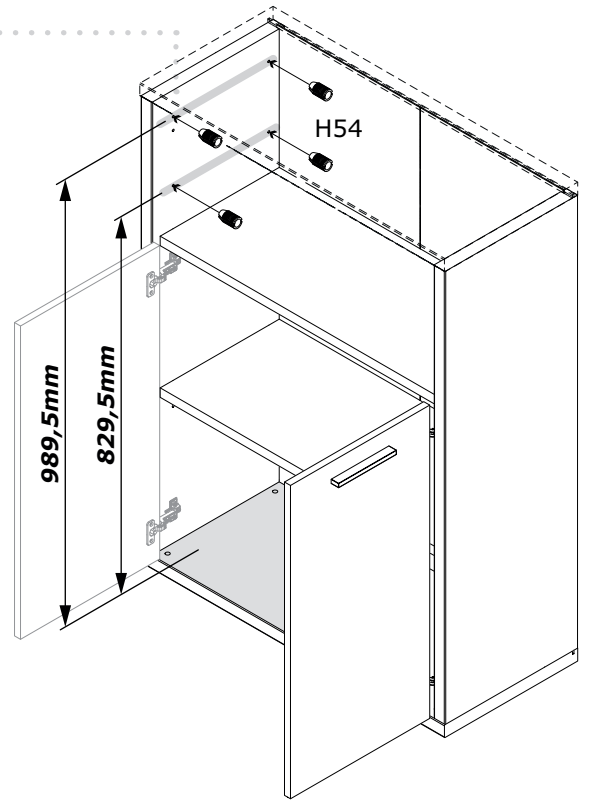


12

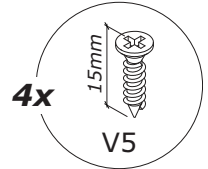
**B**



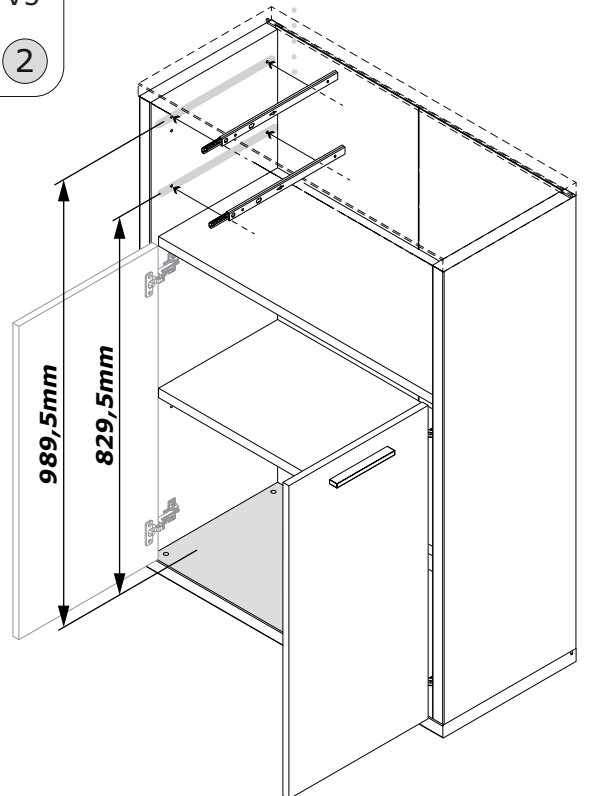
4x



2x

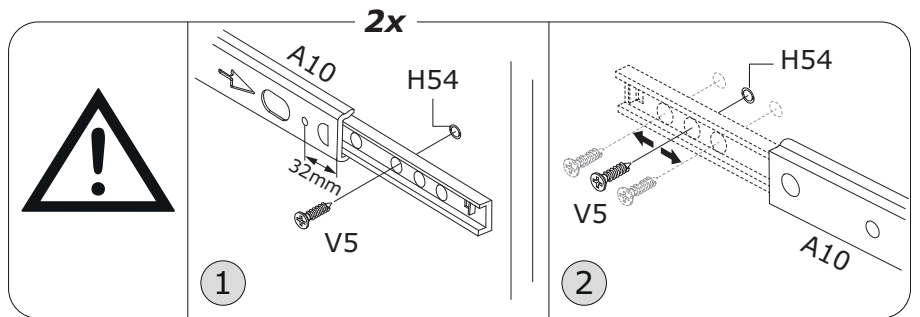
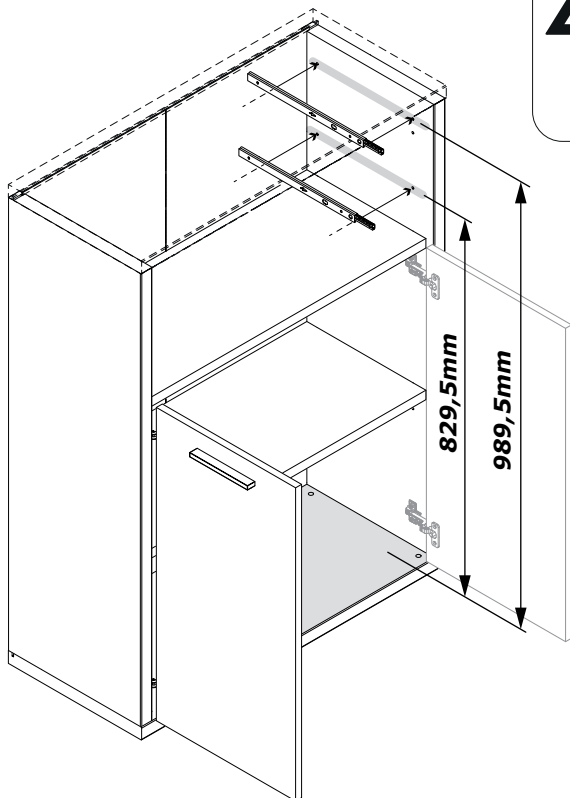
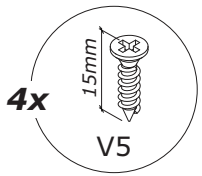
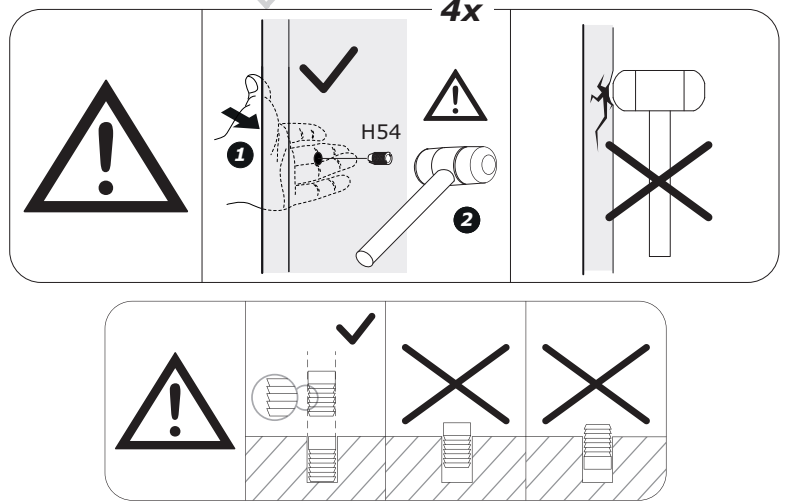
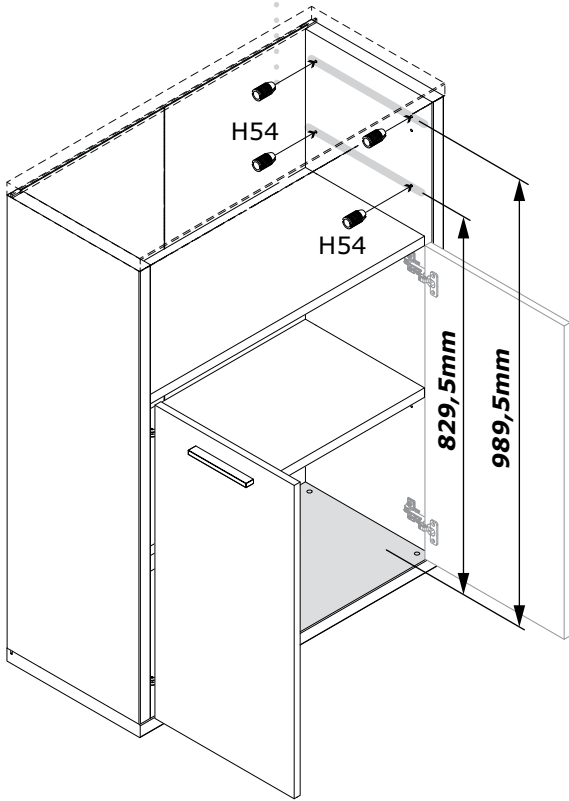
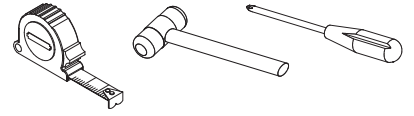


4x



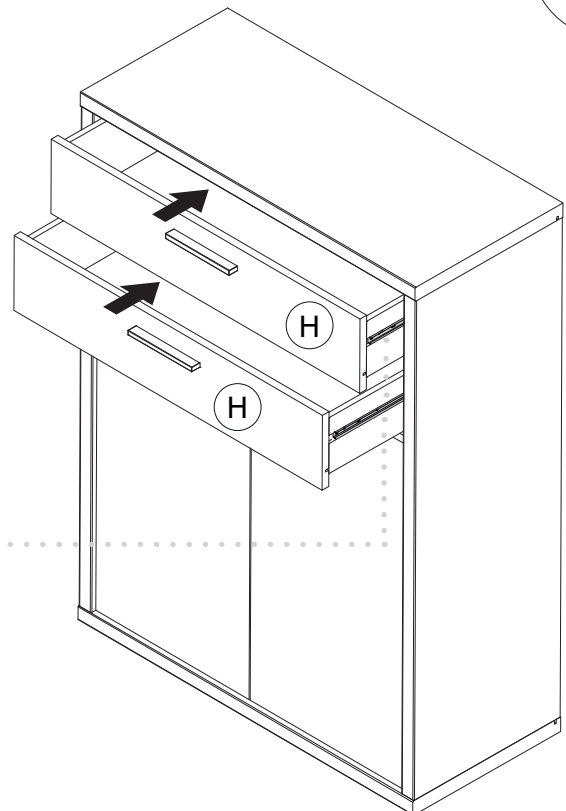
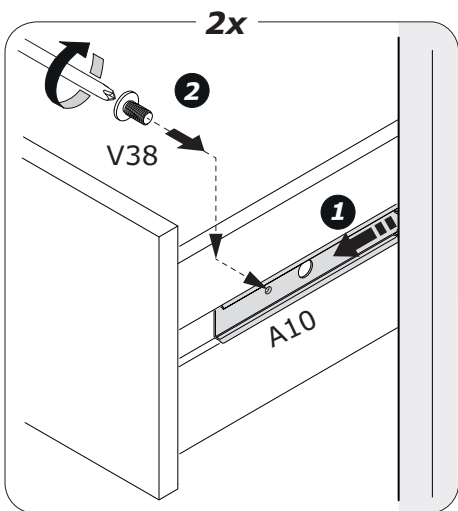
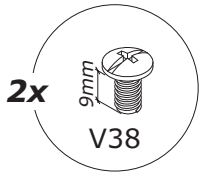
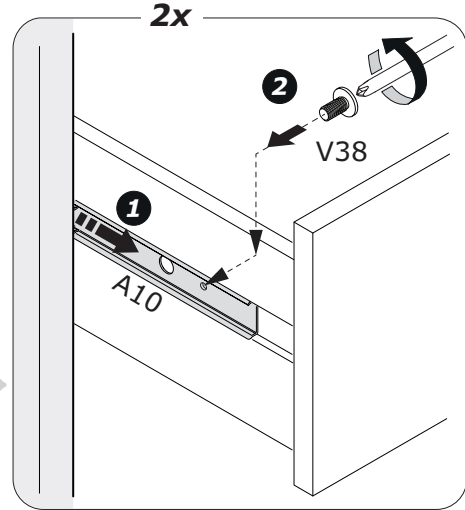
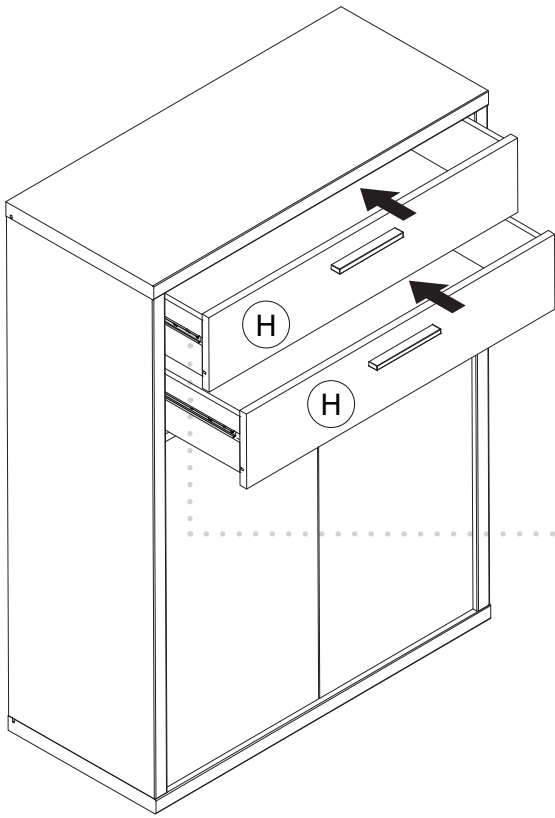
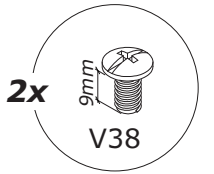
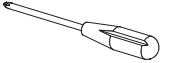
13

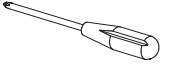
**B**



14

**B**





# A B

