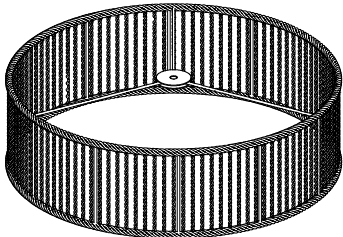
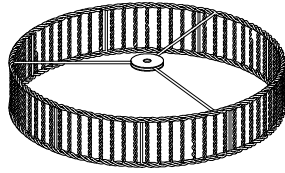


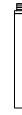
# Installation & Assembly



① big rope lampshade 1pcs



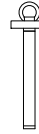
② small rope lampshade 1pcs



④ hanging tube 1pcs



⑤ threaded rod 1pcs



⑥ hanging tube with ring 1pcs



⑦ chain 1pcs



X 1PCS



X 1PCS



X 3PCS



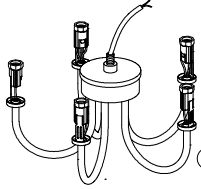
X 3PCS



X 3PCS



X 3PCS



③ light fixture 1pcs



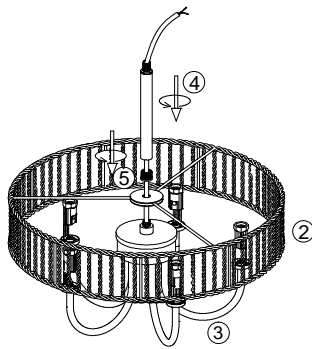
⑧ canopy 1pcs



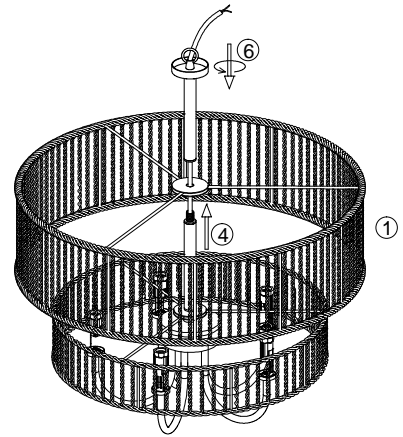
⑨ cap nut 2pcs



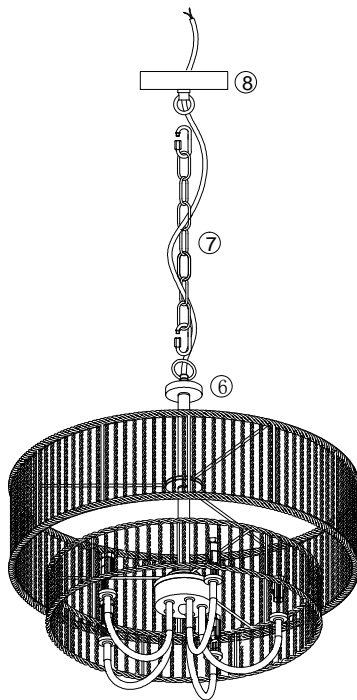
⑫ cylinder tube 5pcs



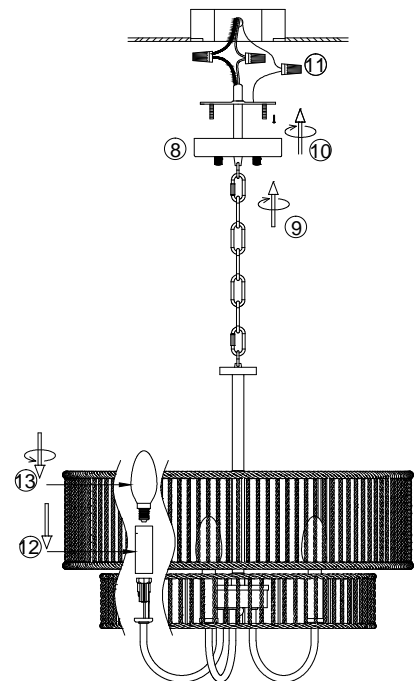
1. Let the wire of the fixture ③ go through the small lampshade ②, threaded rod ⑤ and hanging tube ④, rotate to fix three parts to the fixture.



2. Let the wire go through the big lampshade ① and hanging tube ⑥, rotate to fix both to the fixture.



3. Hang the fixture to the canopy ⑧ with chain ⑦, let the wire go through the chain ⑦ and canopy ⑧.



4. Install the bracket to the ceiling junction box with screw ⑩.  
5. Connect the wire to your home line with cap connector ⑪.  
6. Install the fixture to the bracket with cap nut ⑨.  
7. Put the cylinder tube ⑫ on top of bulb holder and install the bulb ⑬.

Please read carefully before installation!!!

Note : Please make sure that the electricity is powered off during installation !

Only a professional electrician should install this kind of product !