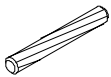
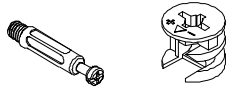


**A**



Ø8\*40 42PCS

**B**



Ø5\*40 82PCS

**C**



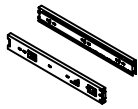
Ø3.5\*14 40PCS

**D**

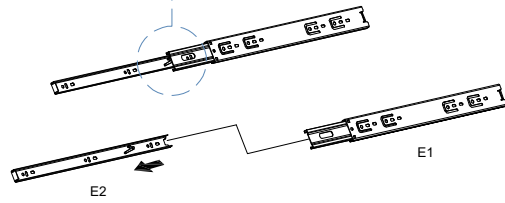


Ø3.5\*35 16PCS

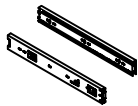
**E**



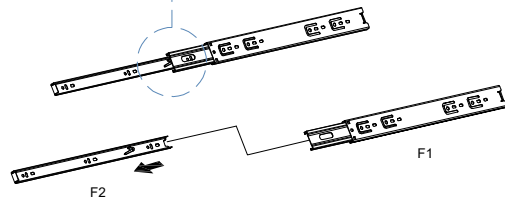
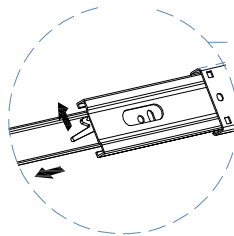
250MM 2PCS



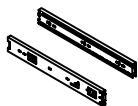
**F**



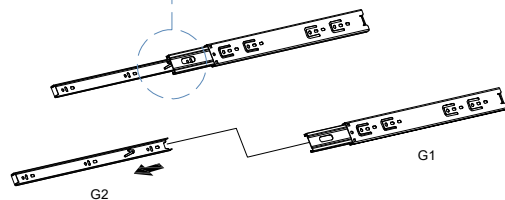
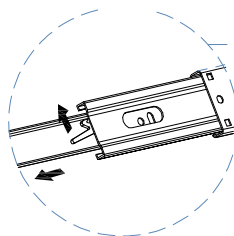
300MM 2PCS



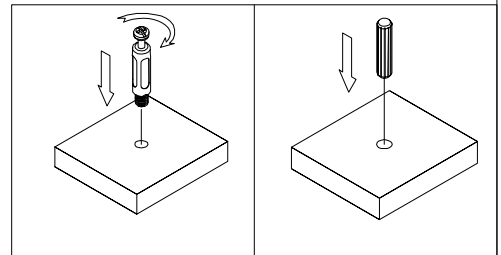
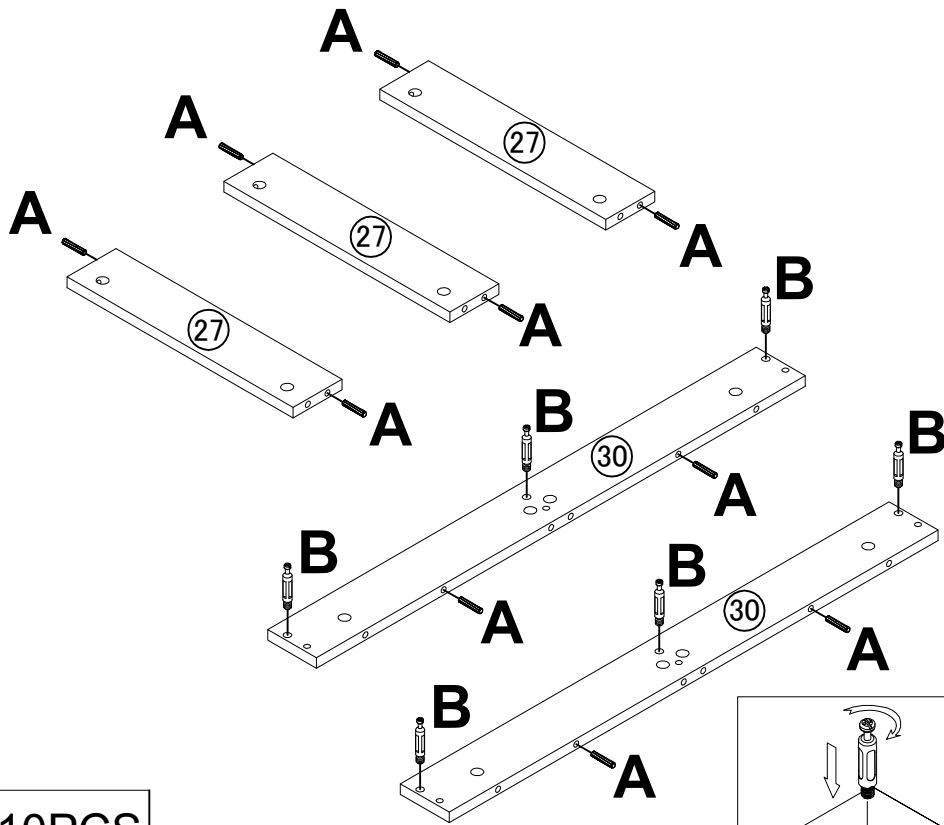
**G**





400MM 1PCS

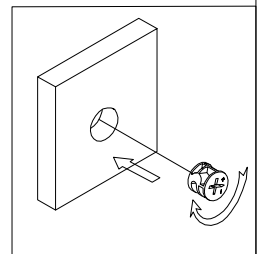
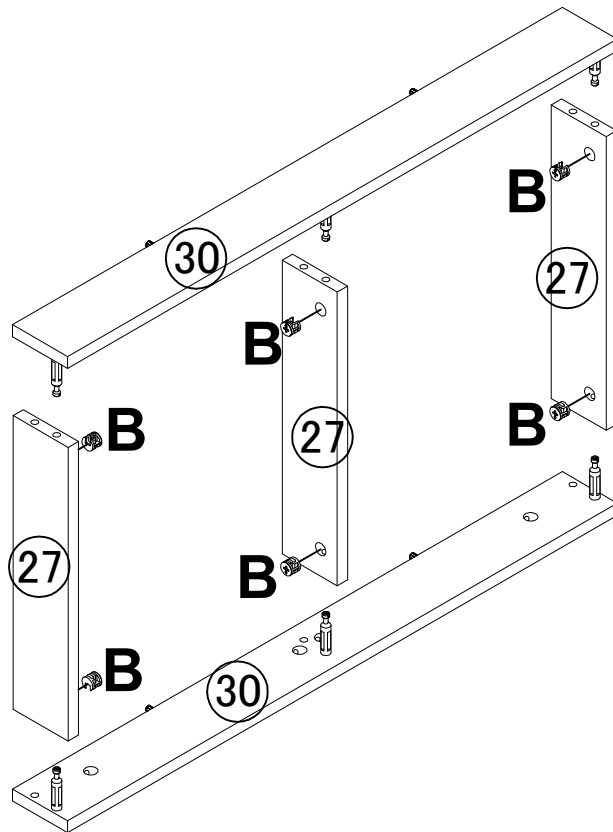


# STEP1



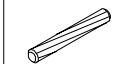
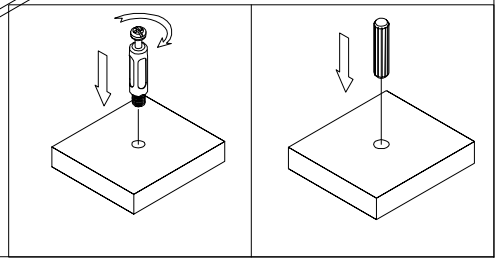
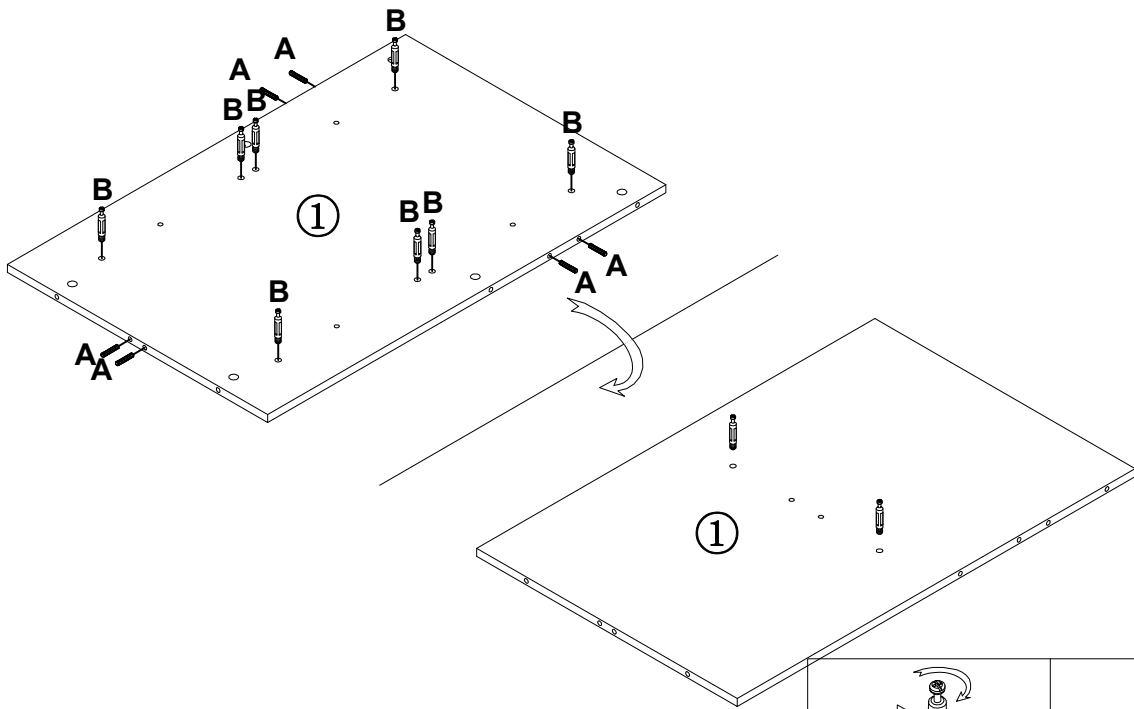
	Ax10PCS
	Bx6PCS

# STEP2



	Bx6PCS
---	--------

### STEP3

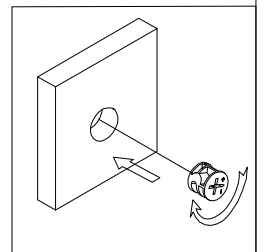
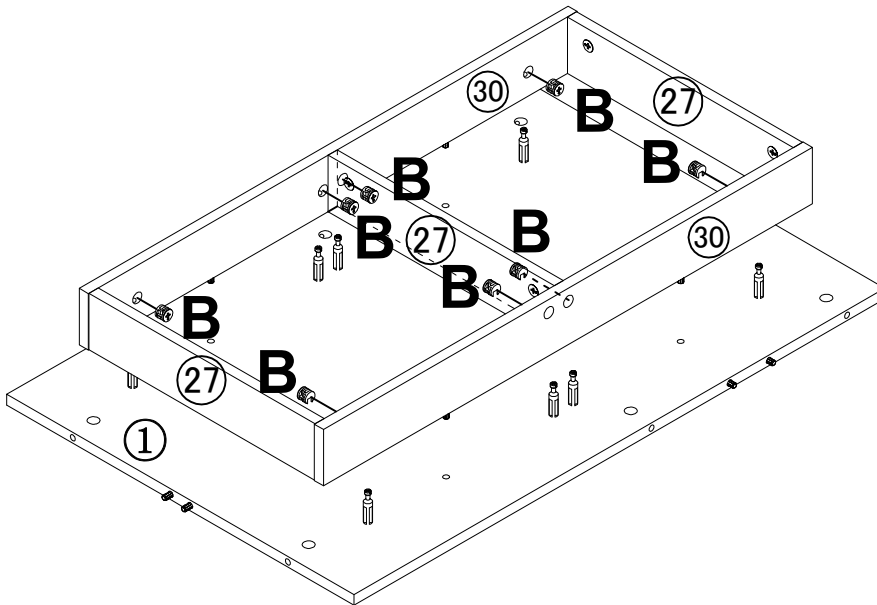


Ax6PCS



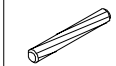
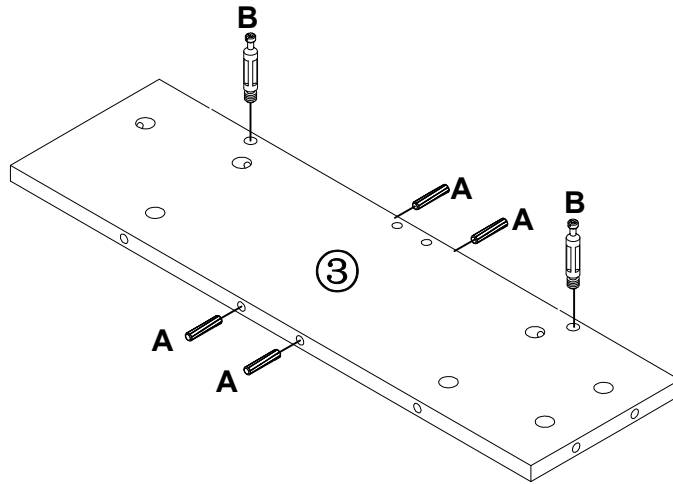
Bx10PCS

### STEP4



Bx8PCS

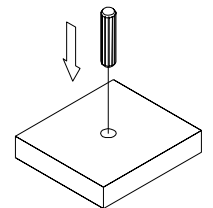
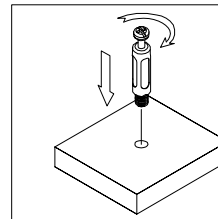
# STEP5



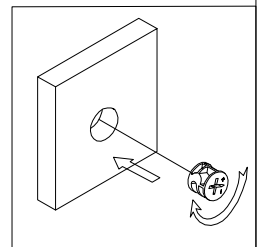
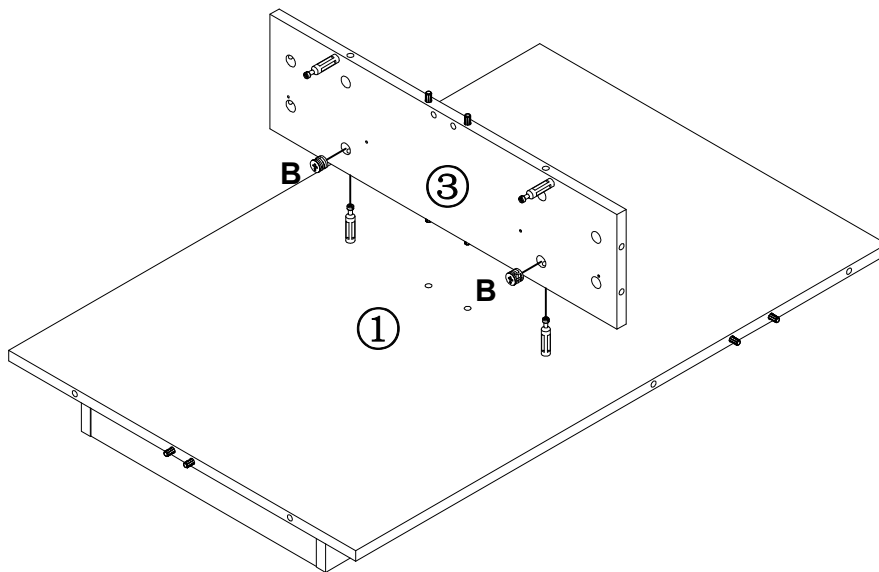
Ax4PCS



Bx2PCS

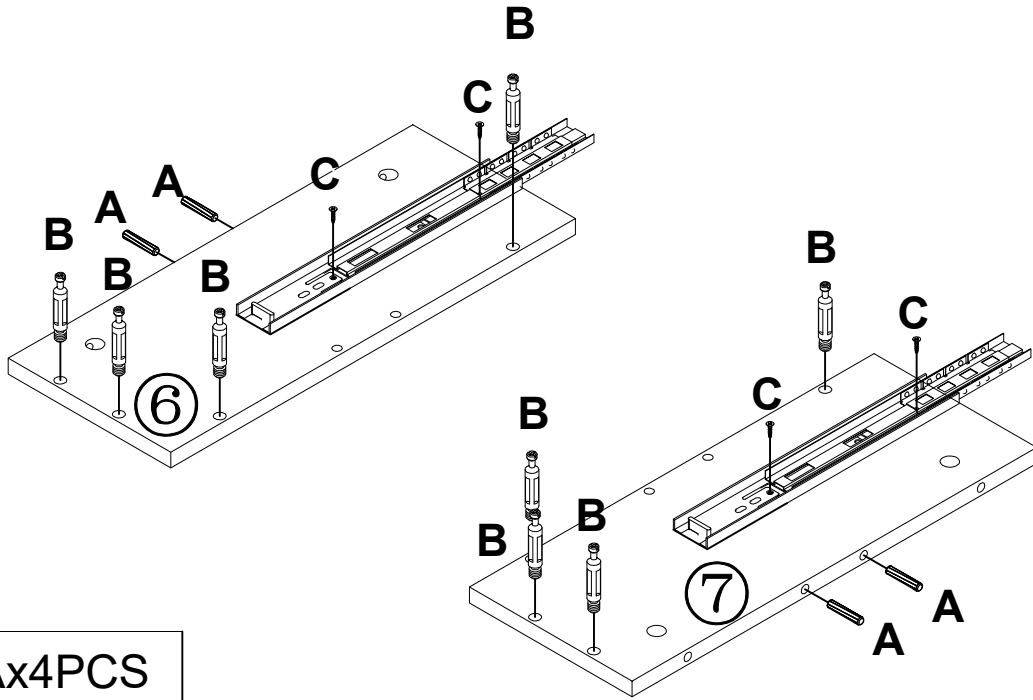






# STEP6

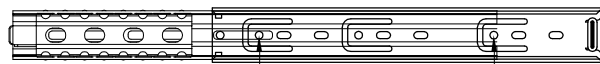


Bx2PCS

# STEP7

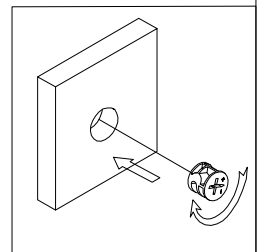
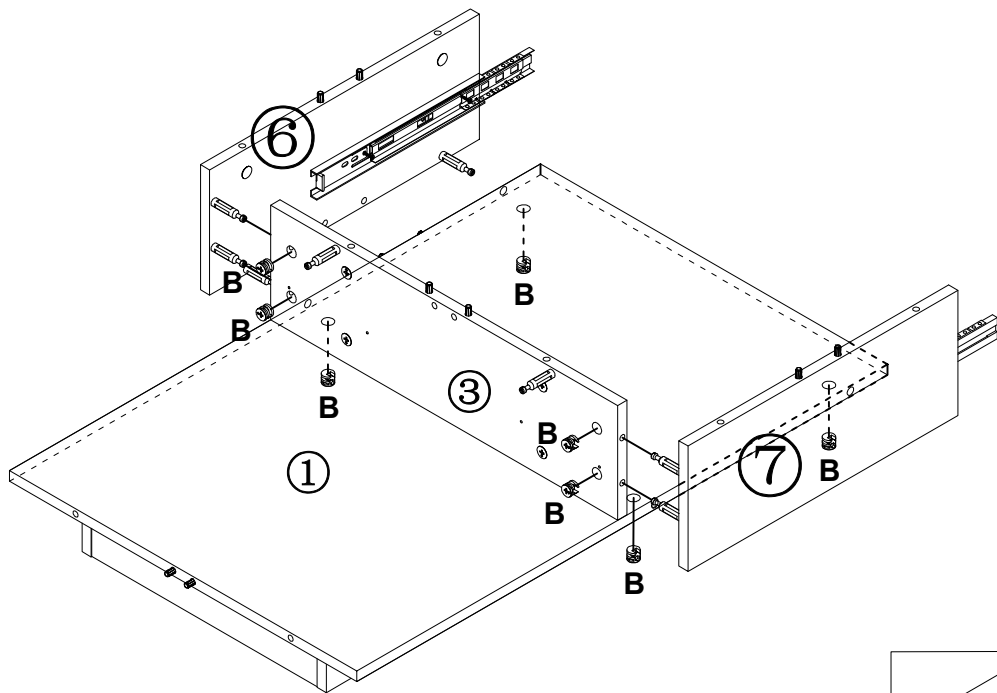


	Ax4PCS
	Bx8PCS
	Cx4PCS
	F1x2PCS



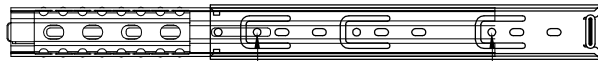
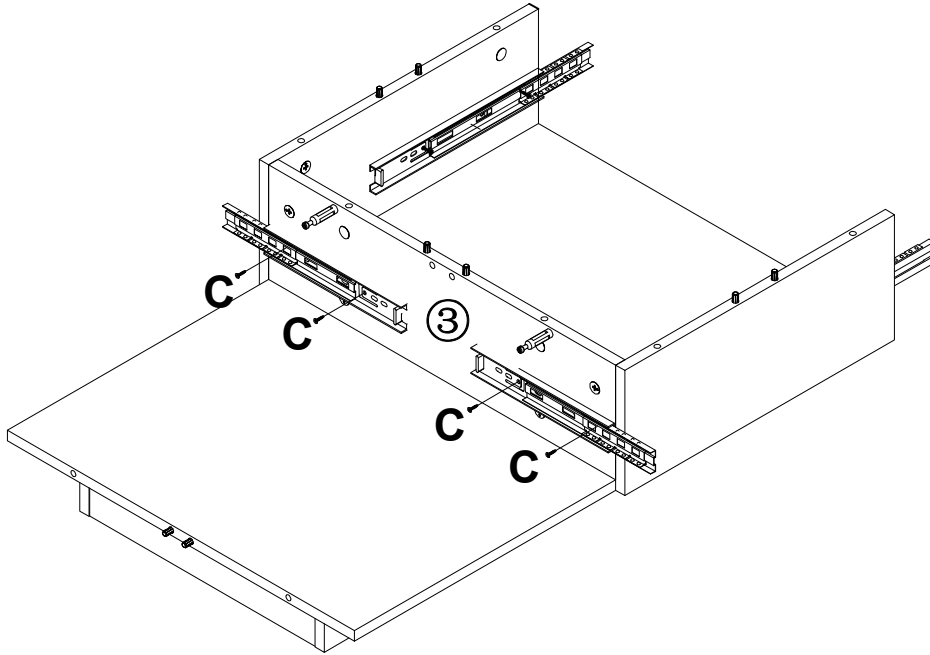
Second Hole Last Third Hole

# STEP8


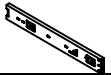


	Bx8PCS
---	--------

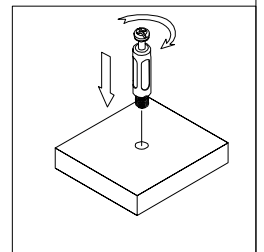
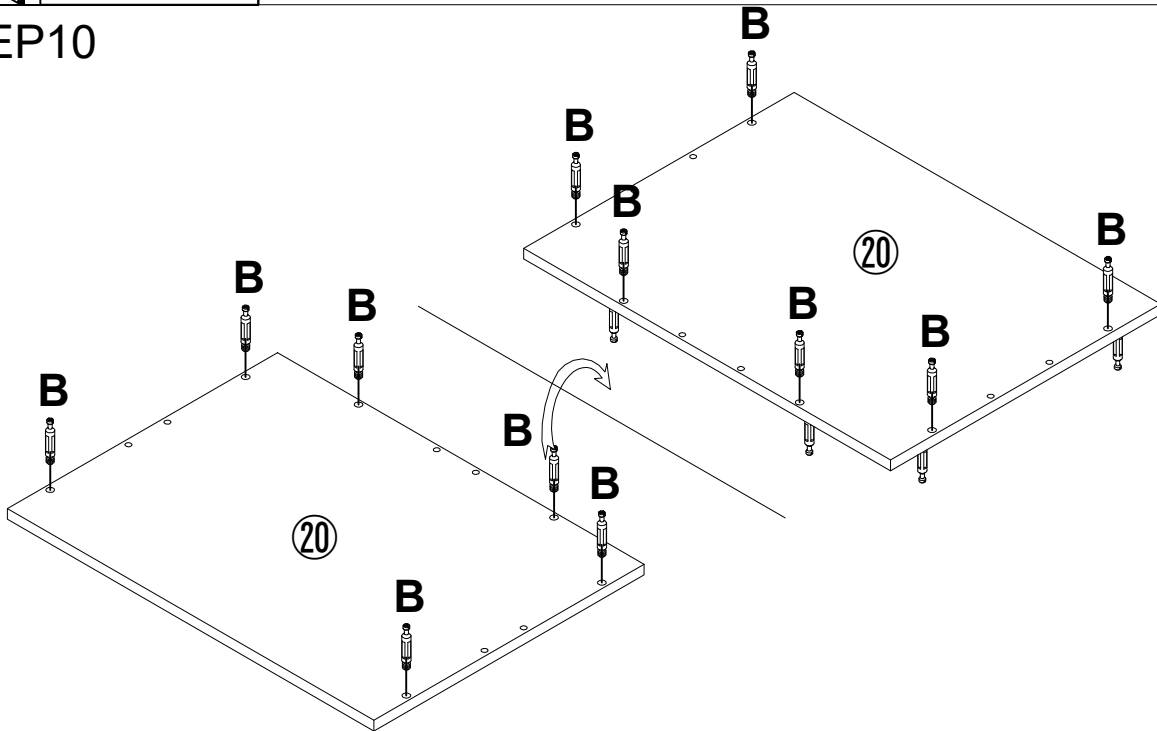
# STEP9




Second Hole      Last Third Hole

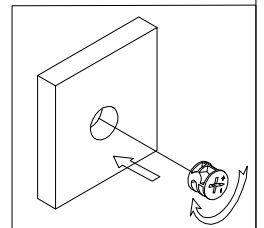
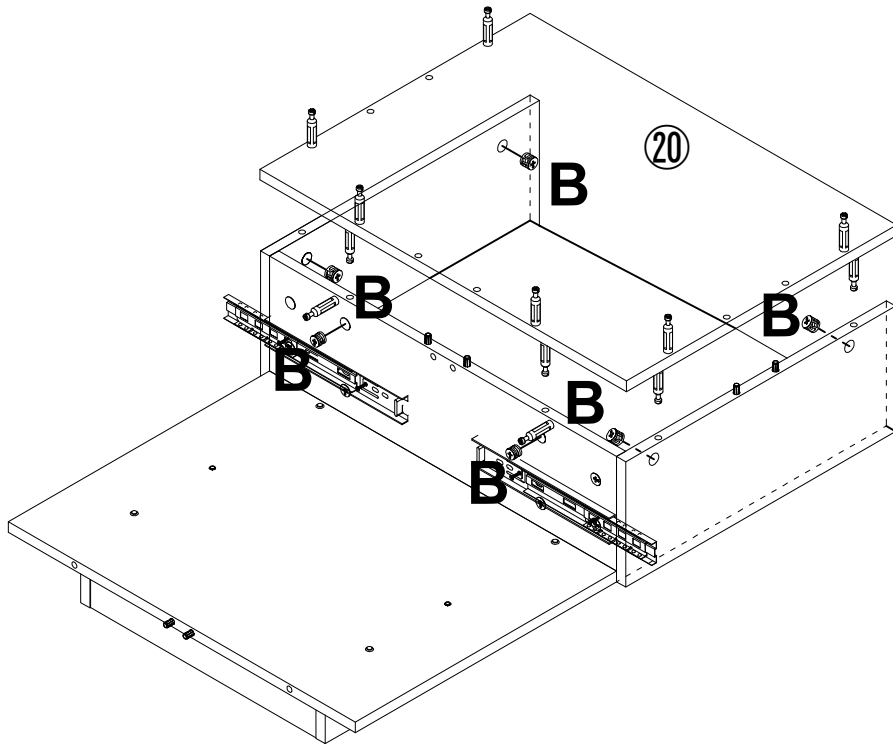
	Cx4PCS
	E1x2PCS

# STEP10



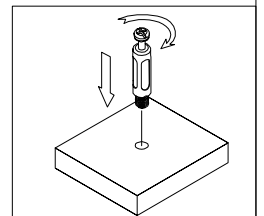
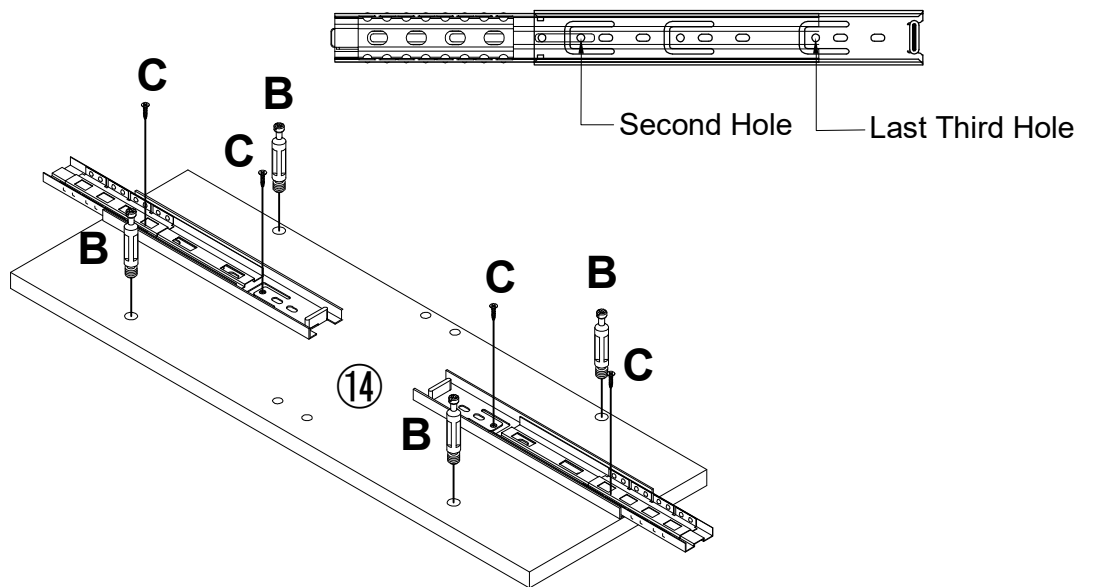
	Bx12PCS
---	---------

# STEP11



Bx6PCS

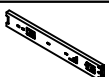
# STEP12



Bx4PCS

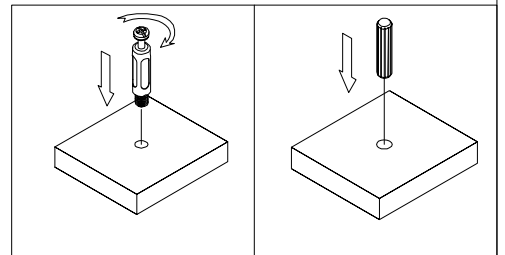
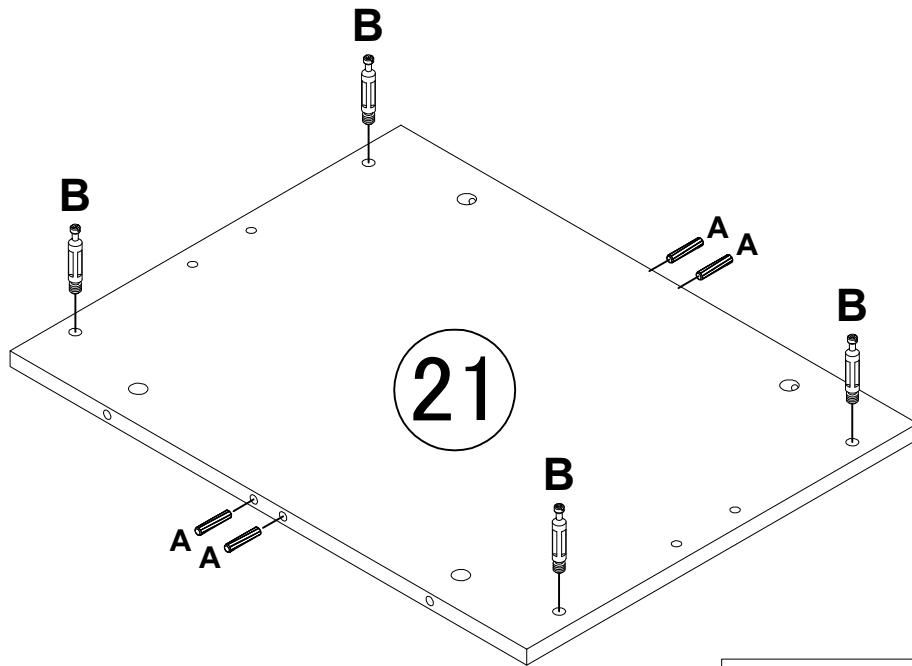




Cx4PCS



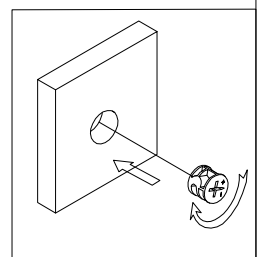
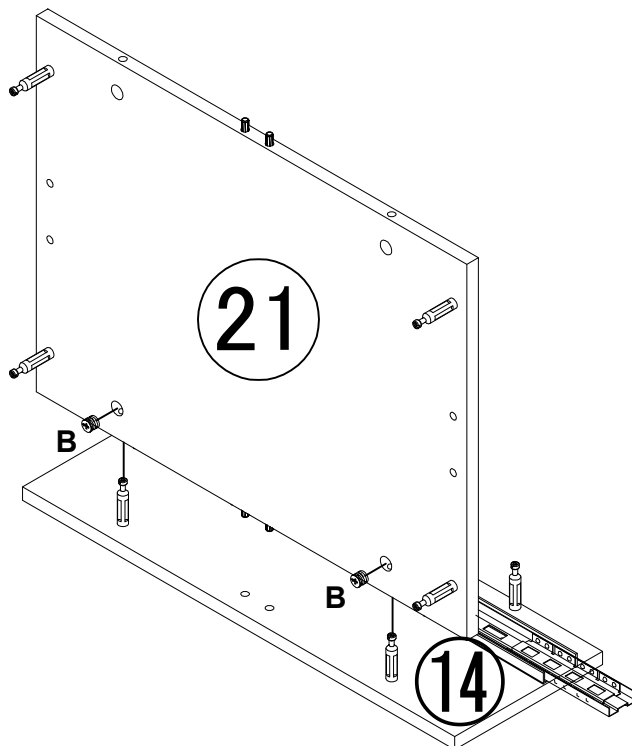
E1x2PCS


# STEP13



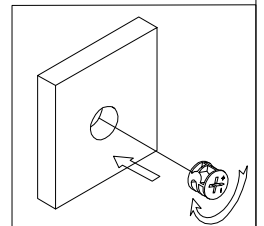
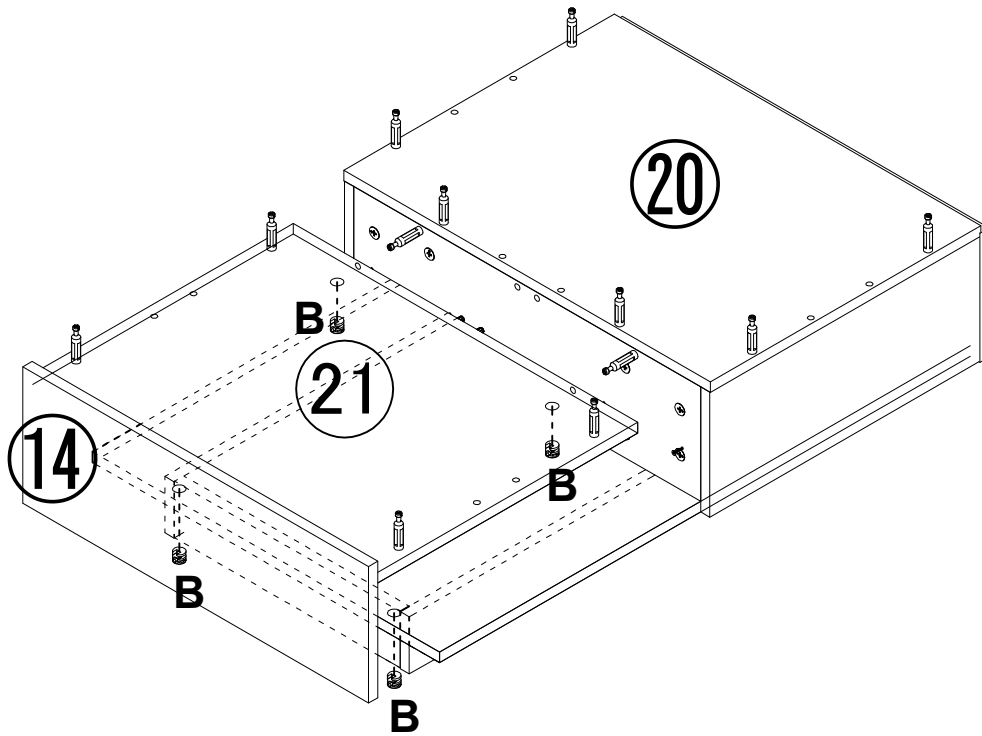
	Ax4PCS
	Bx4PCS

# STEP14



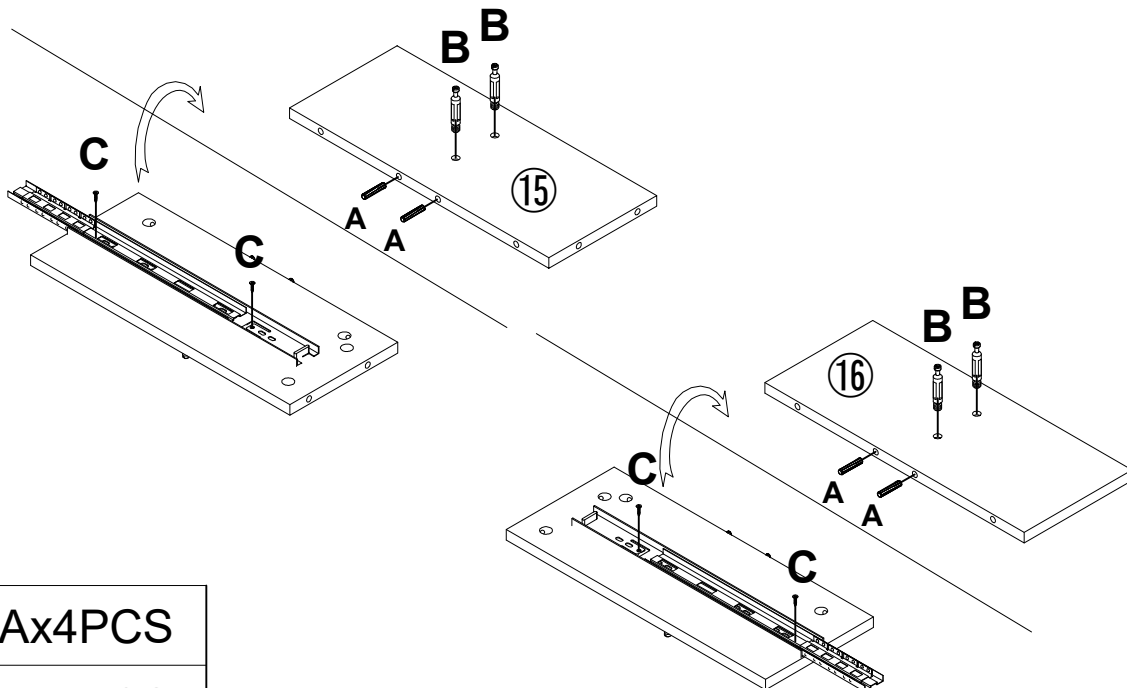
	Bx2PCS
---	--------

# STEP15



Bx4PCS

# STEP16



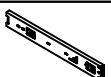
Ax4PCS



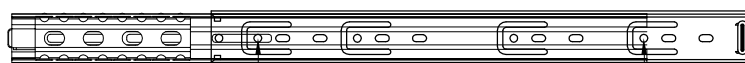
Bx4PCS



Cx4PCS



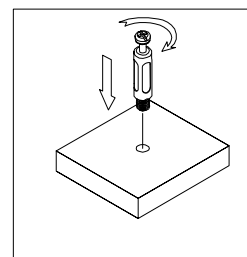
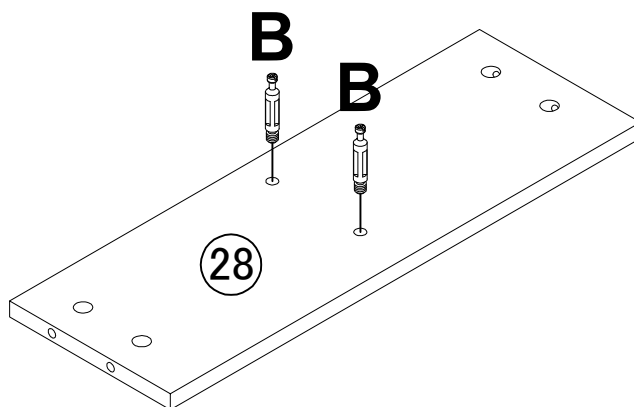
G1x2PCS



Second Hole

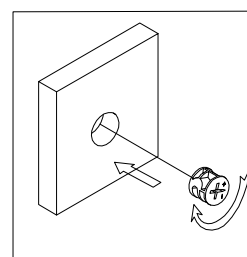
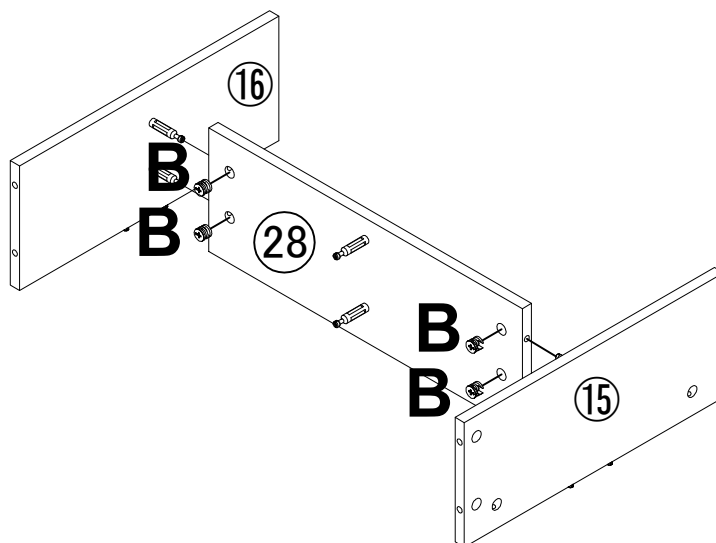
Last Third Hole

# STEP17



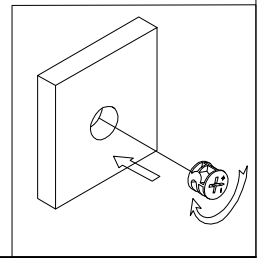
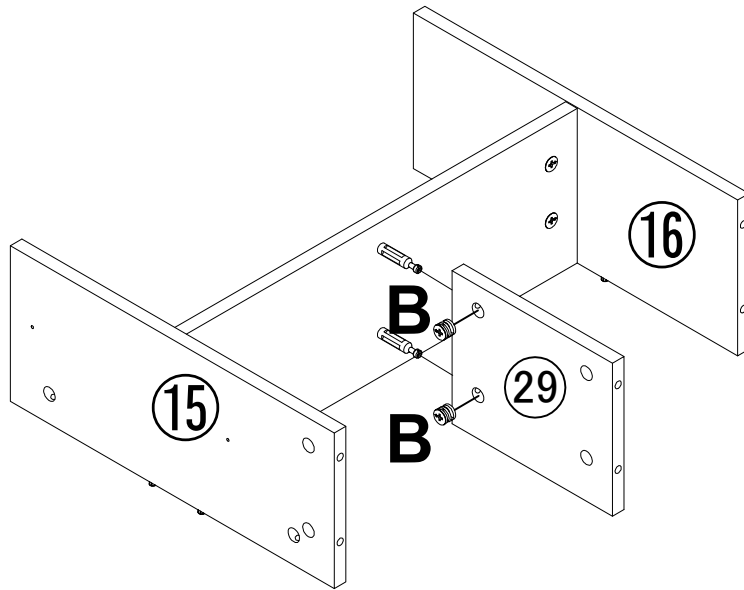
Bx12PCS

# STEP18



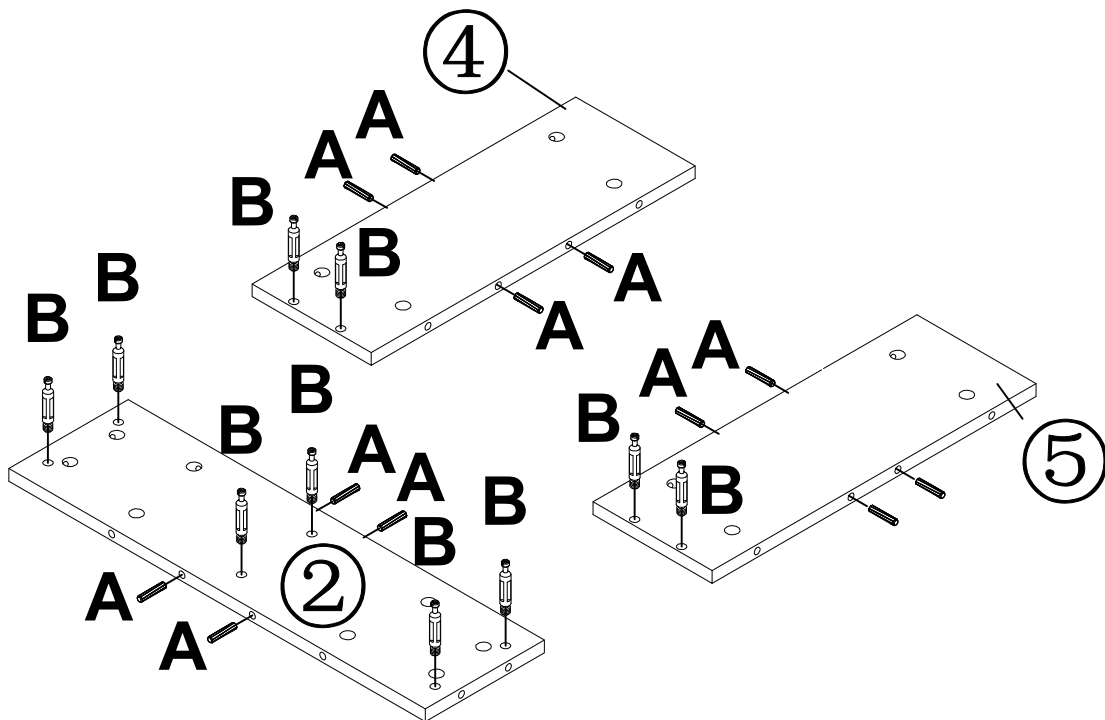
Bx4PCS

# STEP19



Bx4PCS

# STEP20

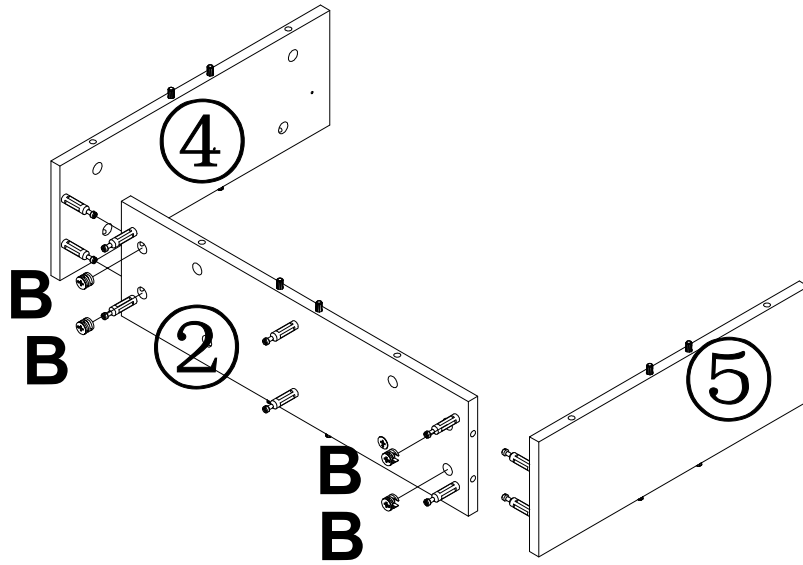


Ax4PCS

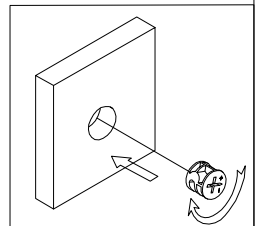


Bx4PCS

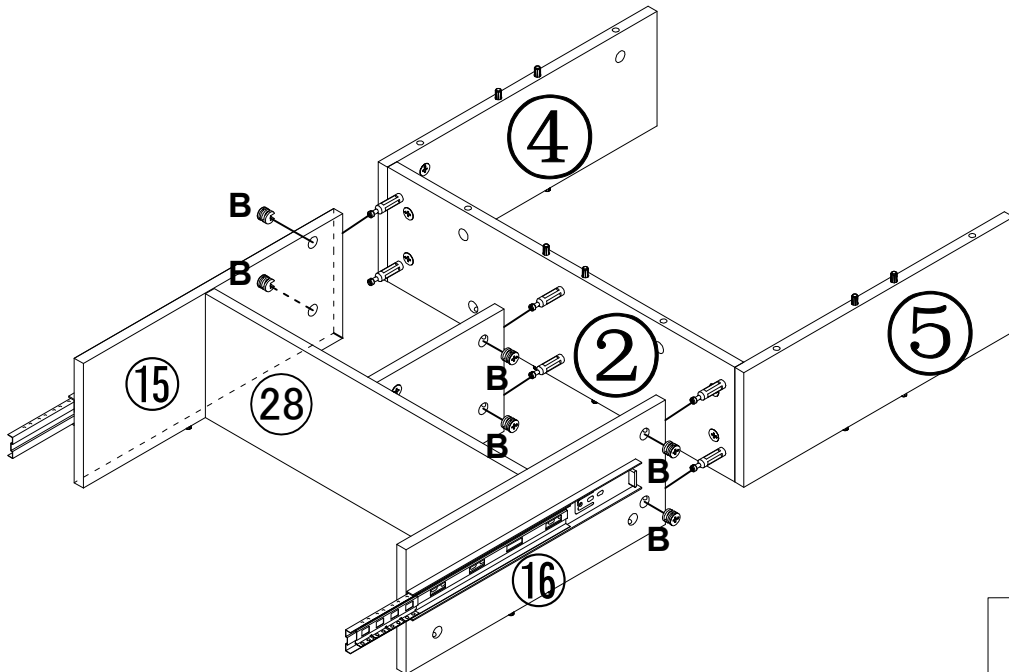
# STEP21



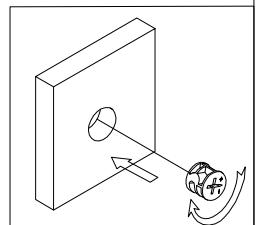
Bx4PCS



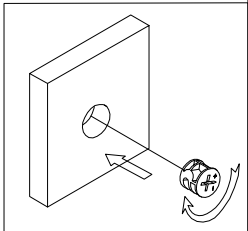
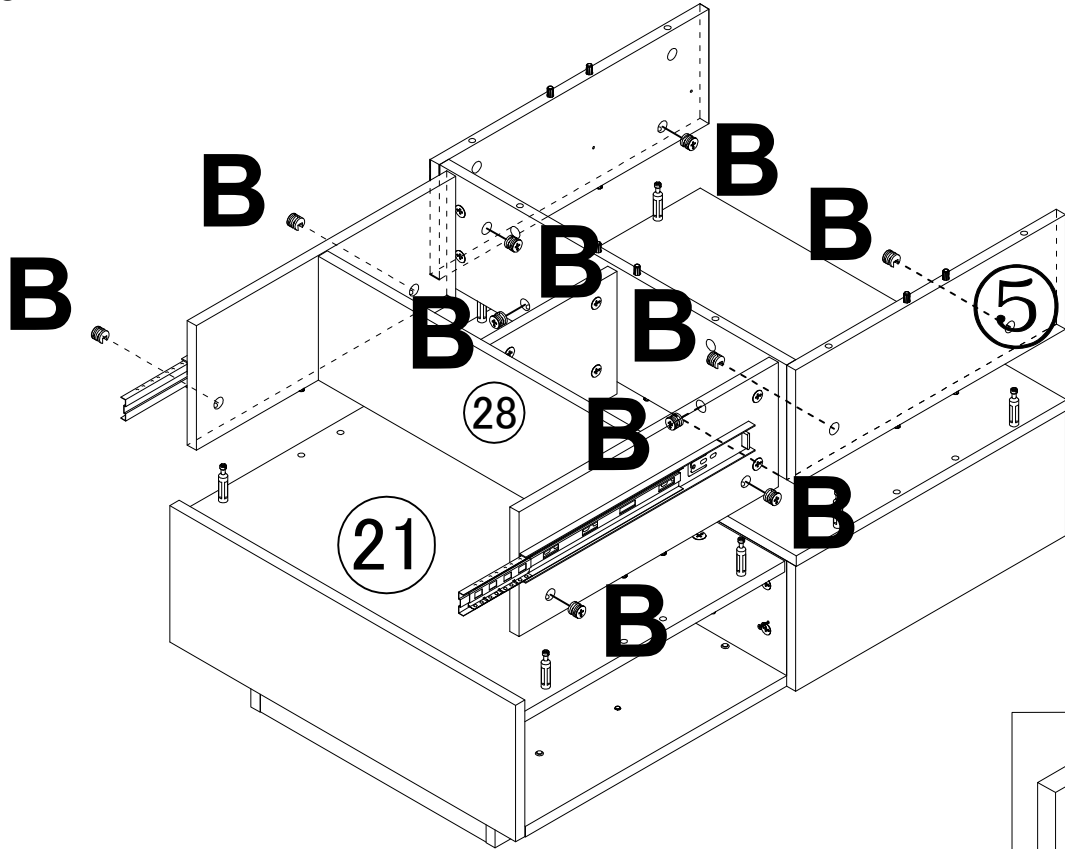
# STEP22



Bx6PCS

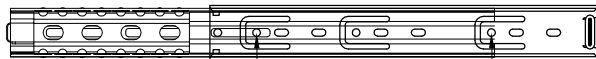
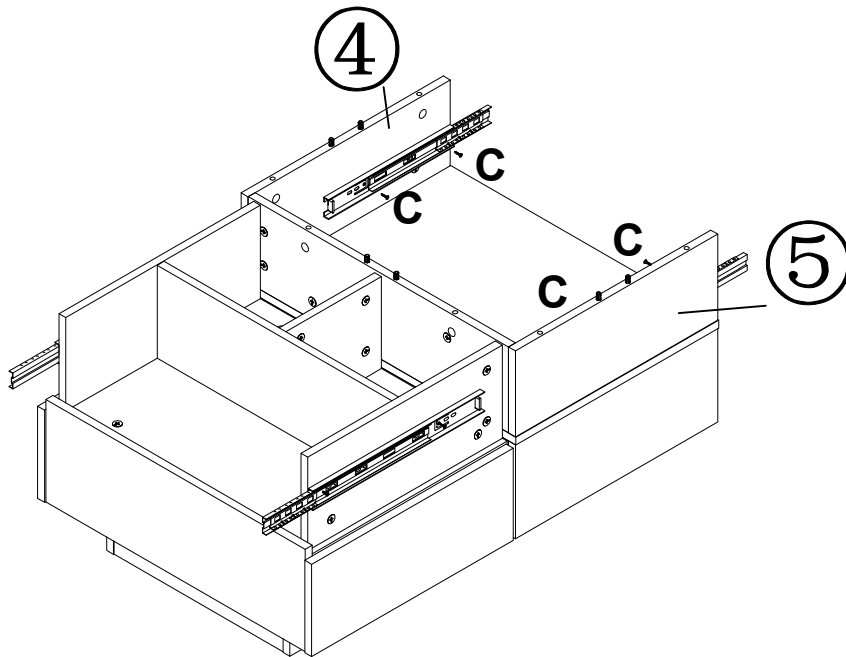


# STEP23



Bx10PCS

# STEP24

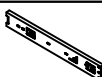


Second Hole

Last Third Hole

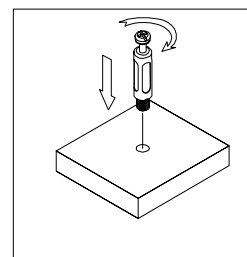
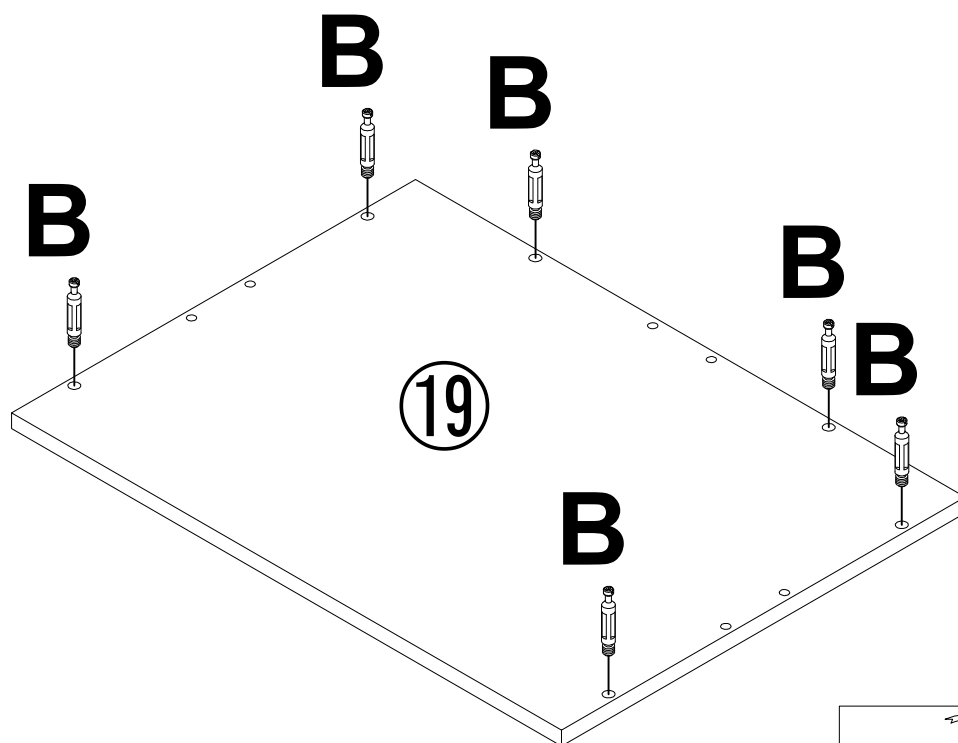


Cx4PCS



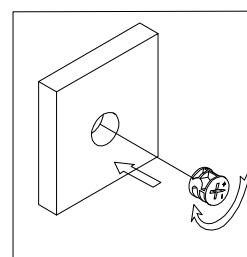
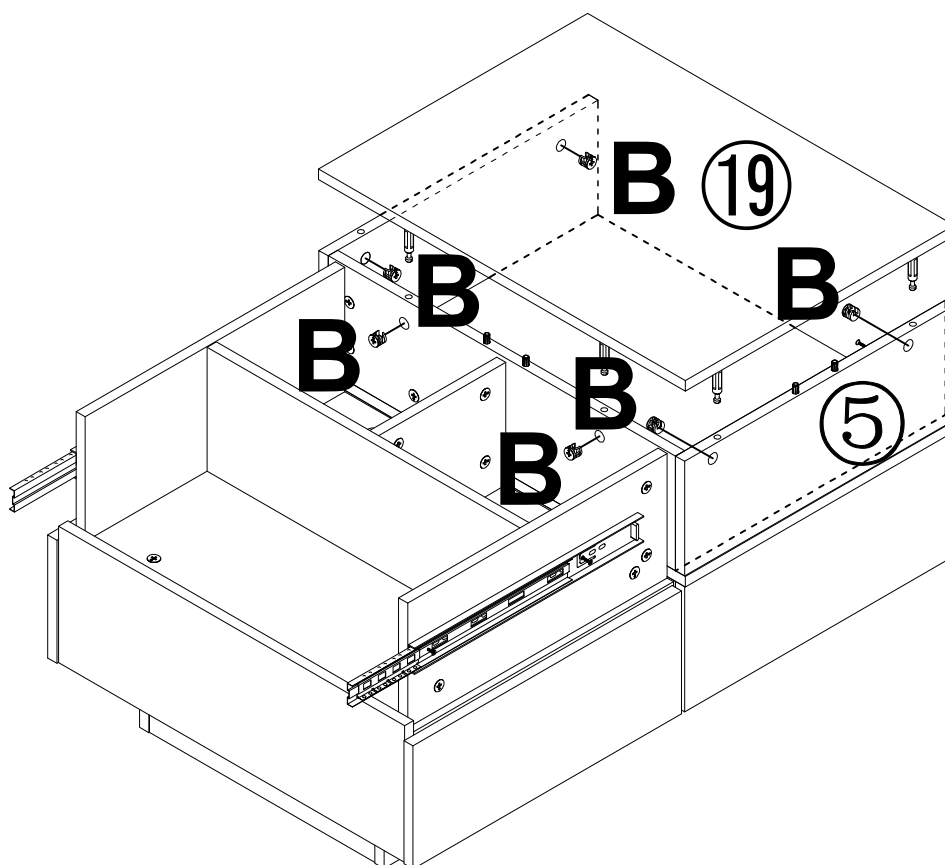
F1x2PCS

# STEP25



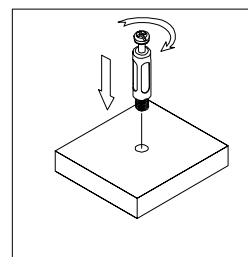
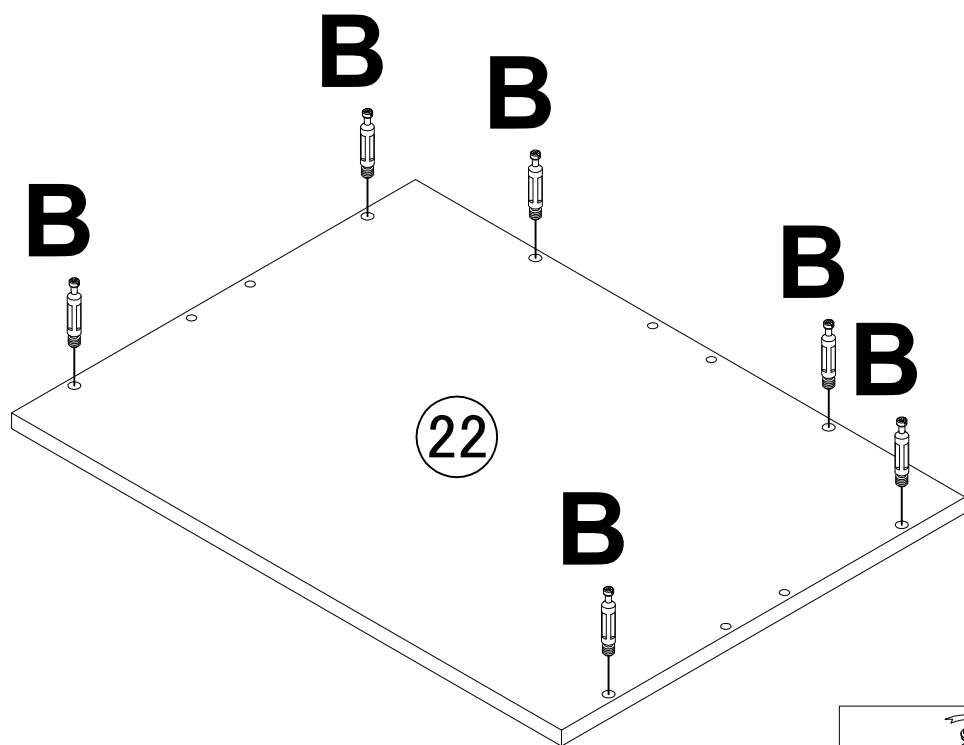
Bx6PCS

# STEP26



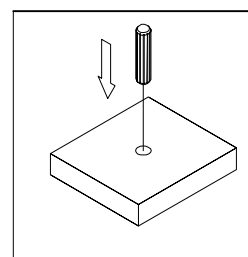
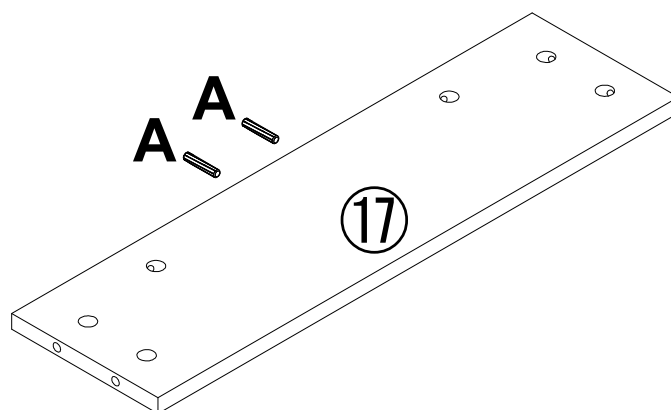
Bx6PCS

# STEP27



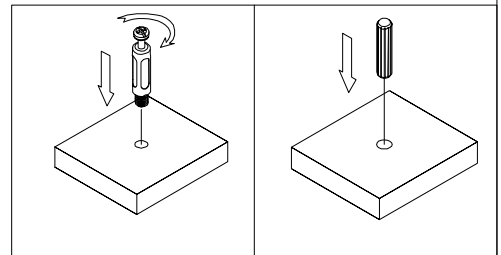
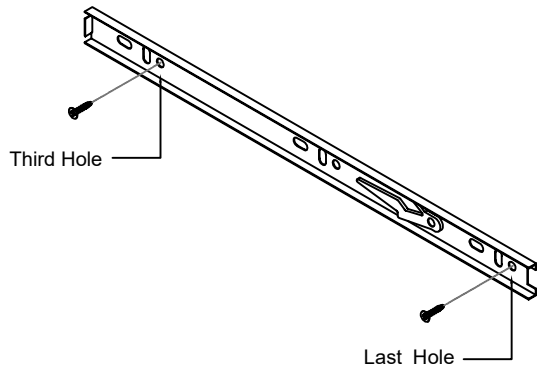
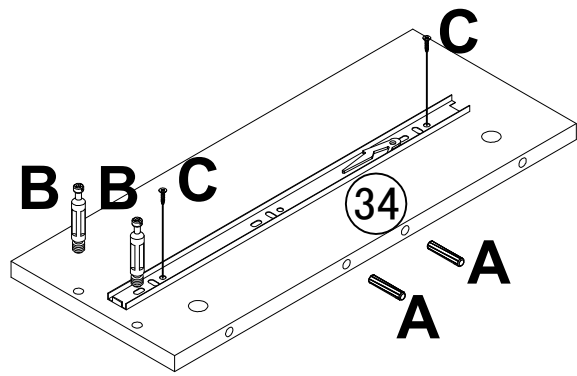
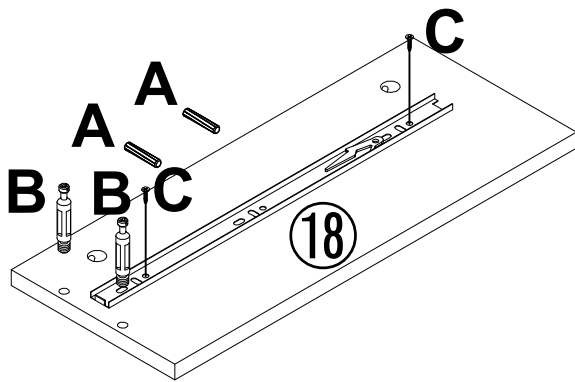
Bx6PCS

# STEP28



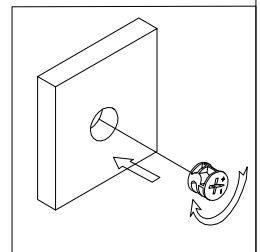
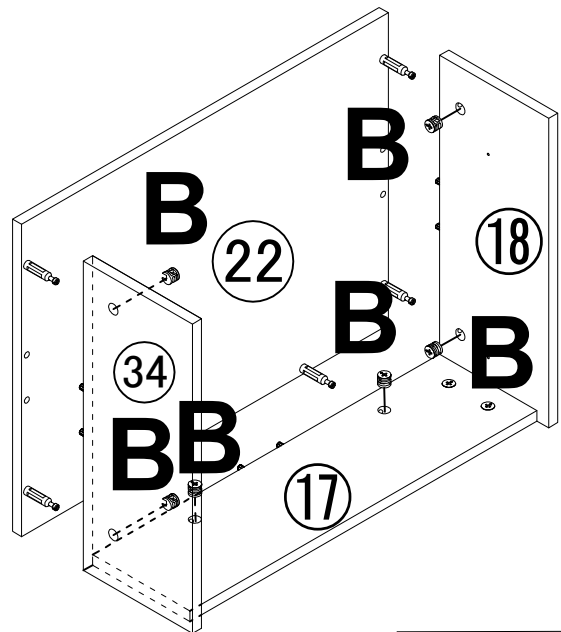
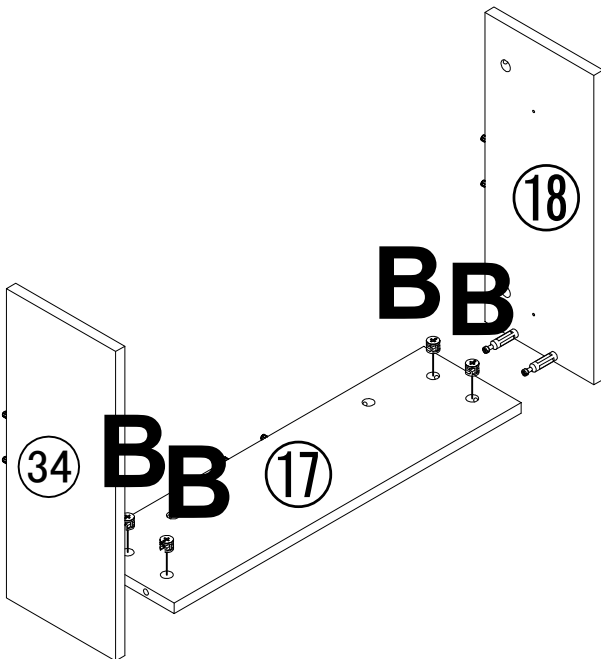
Ax2PCS

# STEP29



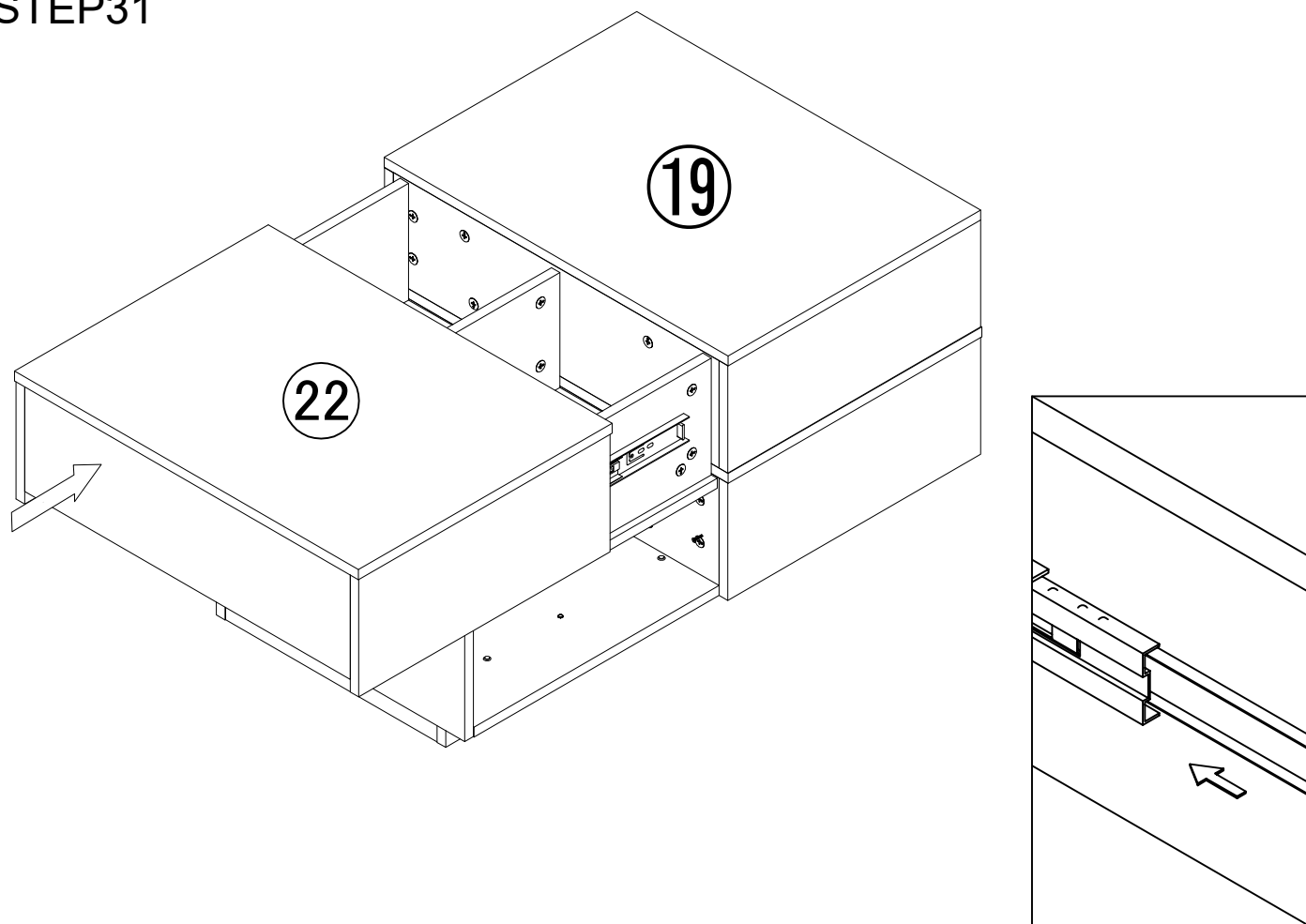
	Ax4PCS
	Bx4PCS
	Cx4PCS
	G2x2PCS

# STEP30

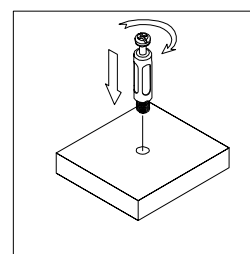
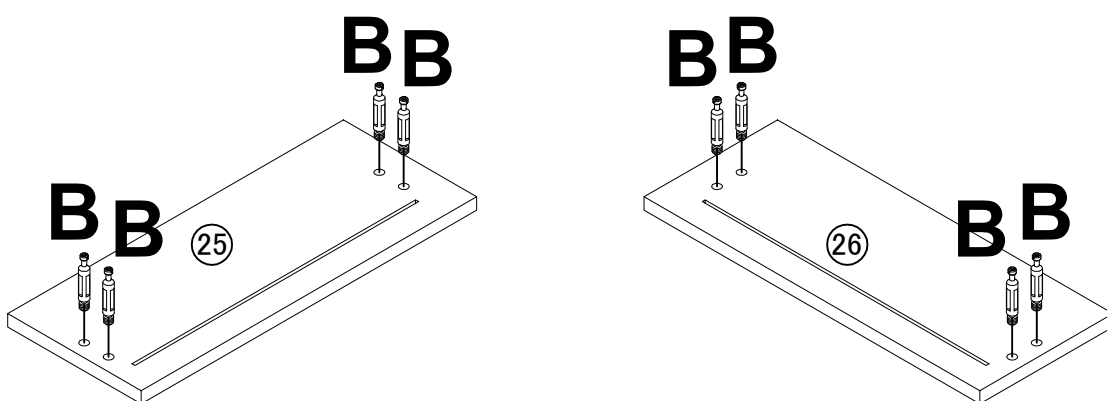


	Bx10PCS
--	---------

STEP31

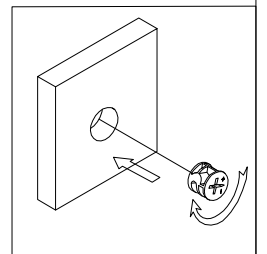
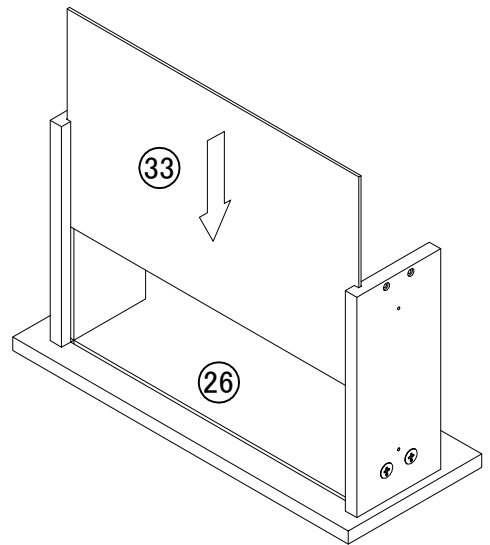
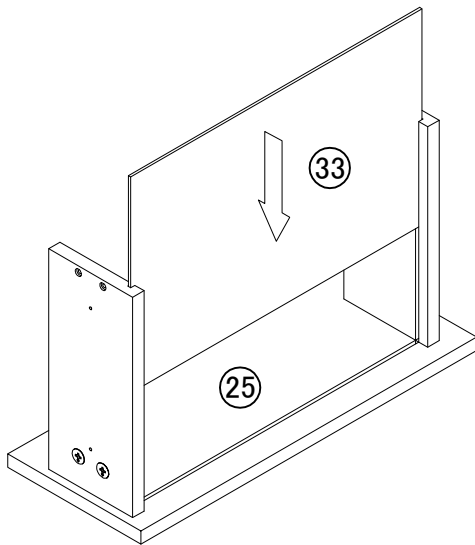
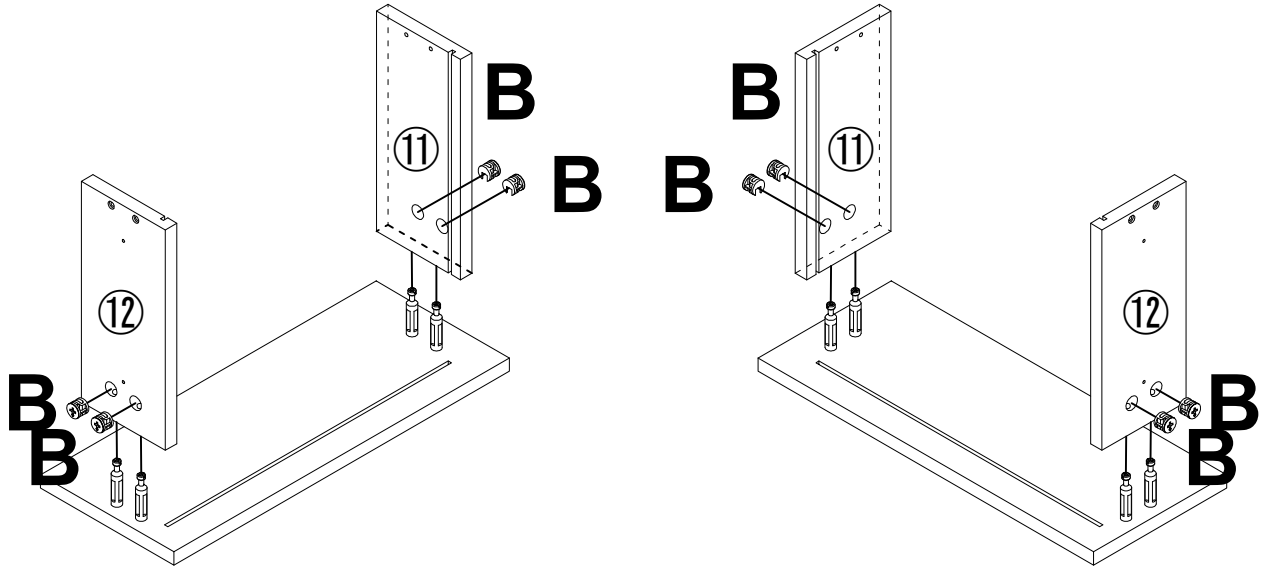


STEP32



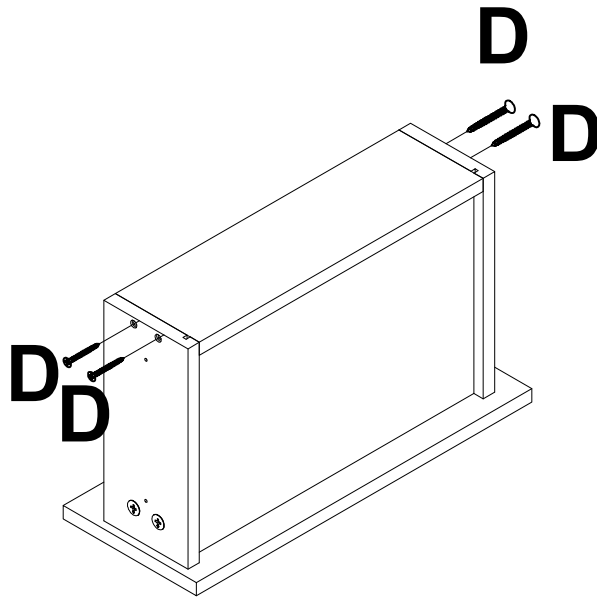
Bx8PCS

# STEP33

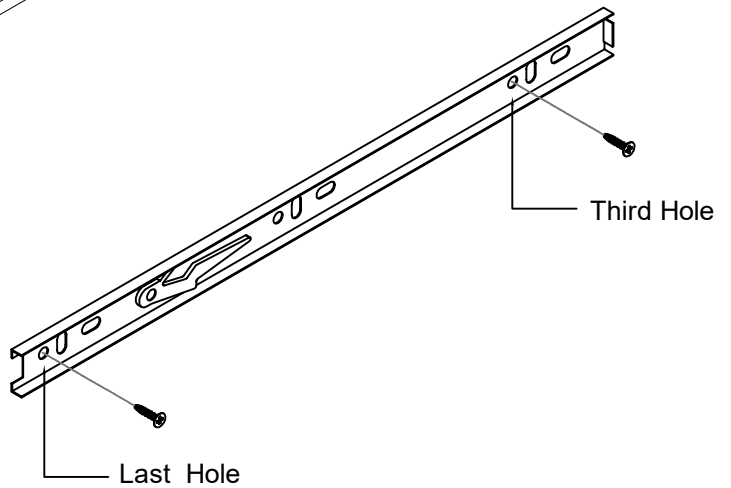
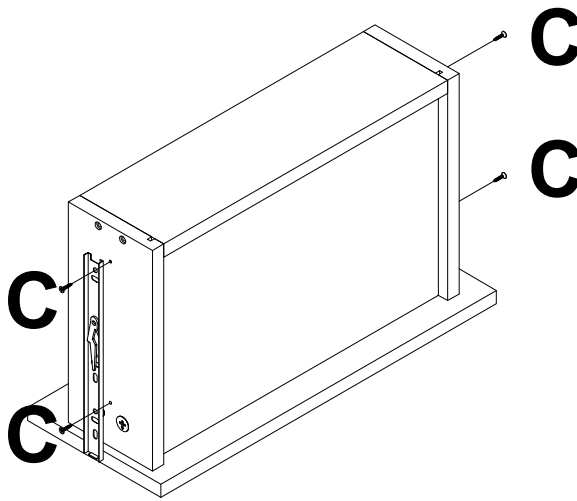



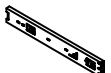
Bx8PCS

STEP34

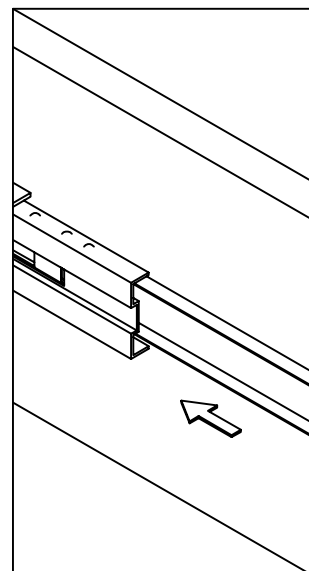
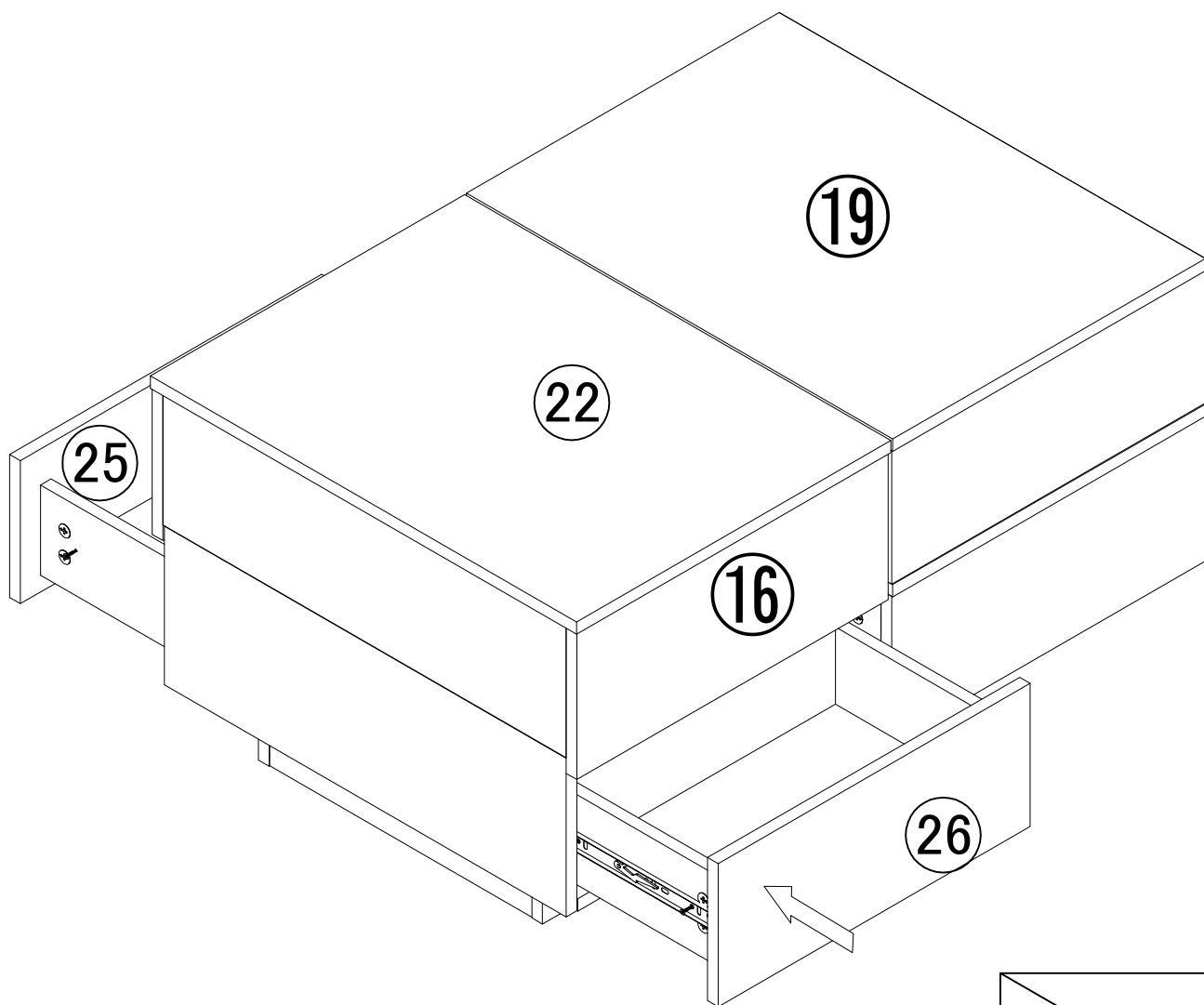


**X2**

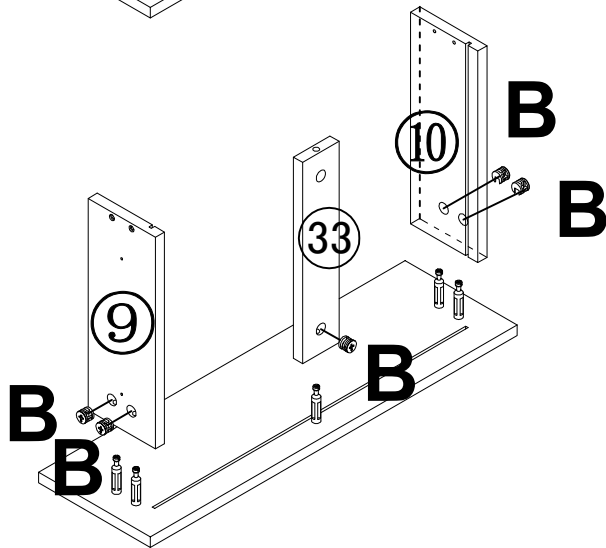
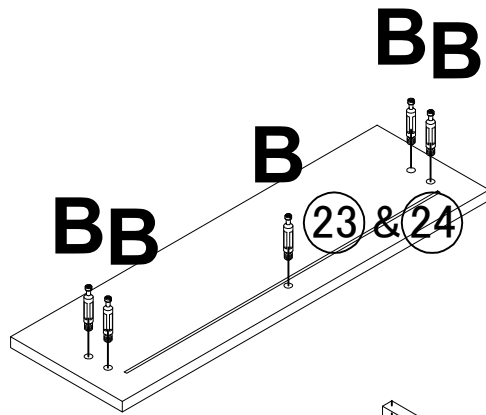


	Cx8PCS
	E2x4PCS

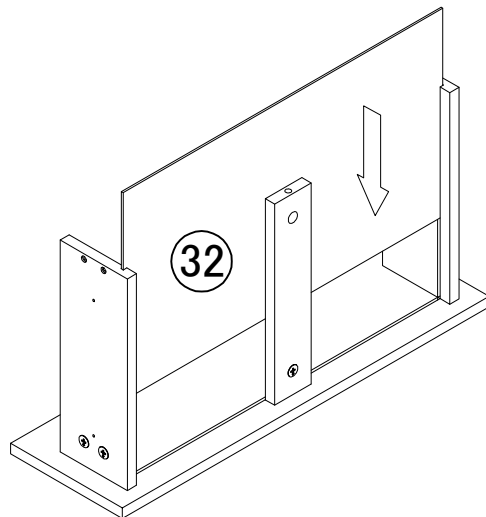
# STEP35





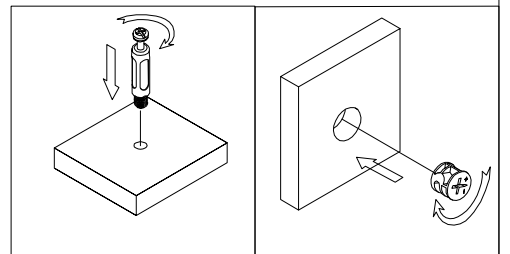
STEP36



X2

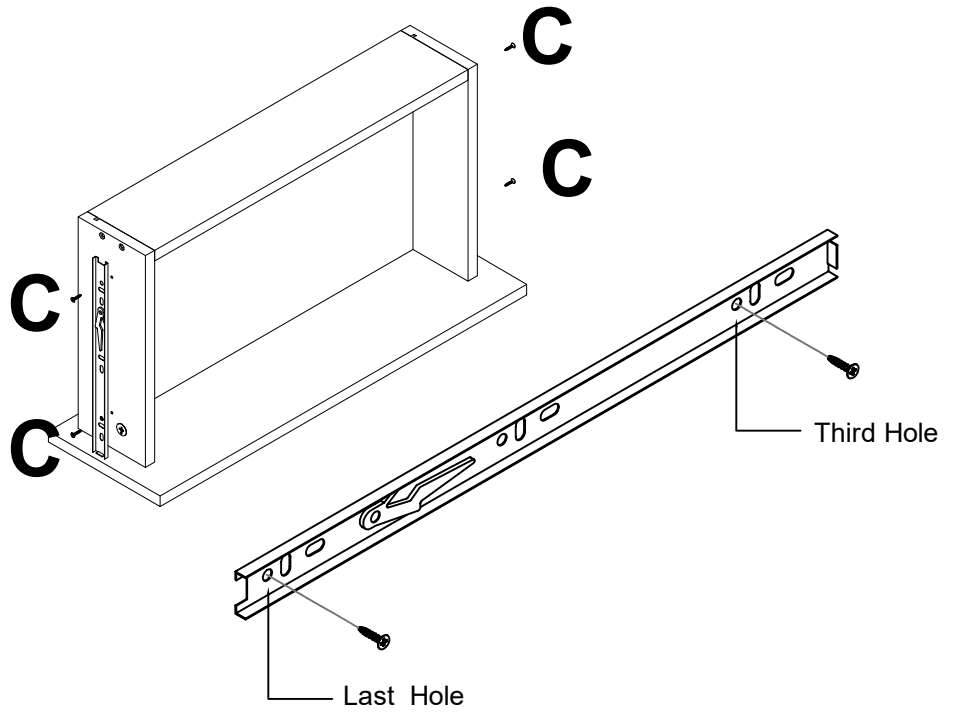
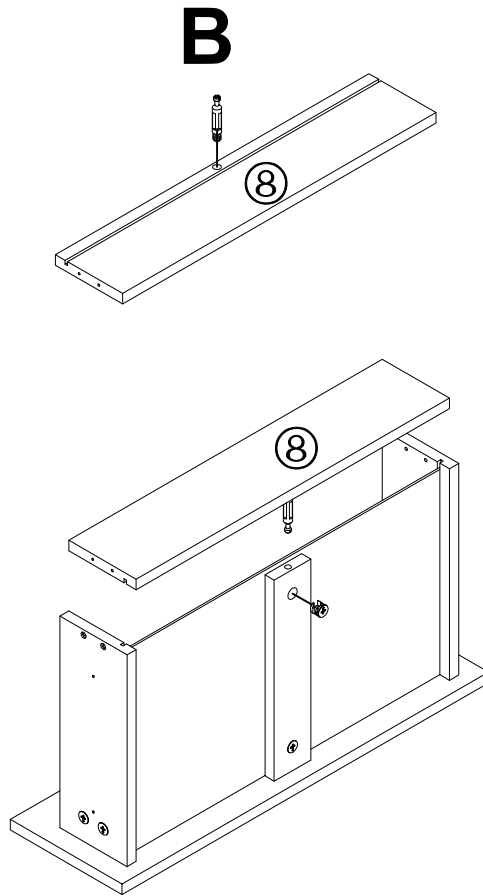




	Bx10PCS
	Bx10PCS



STEP37

X2



	Cx8PCS
	F2x4PCS

# STEP38

