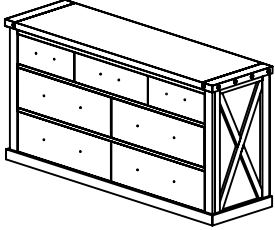
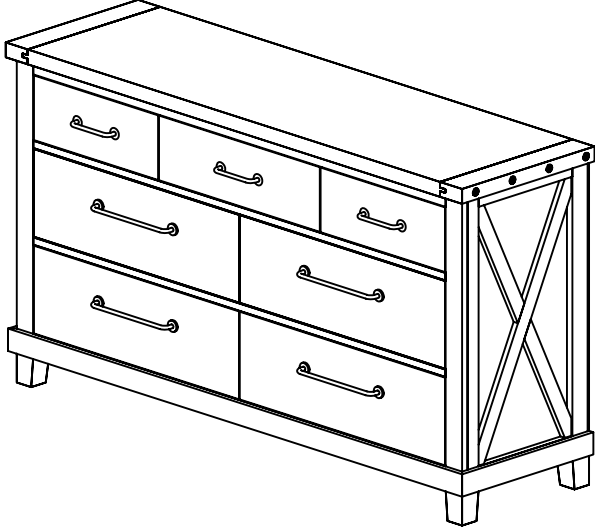


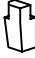




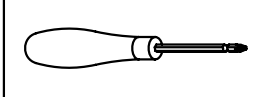


ASSEMBLY INSTRUCTIONS

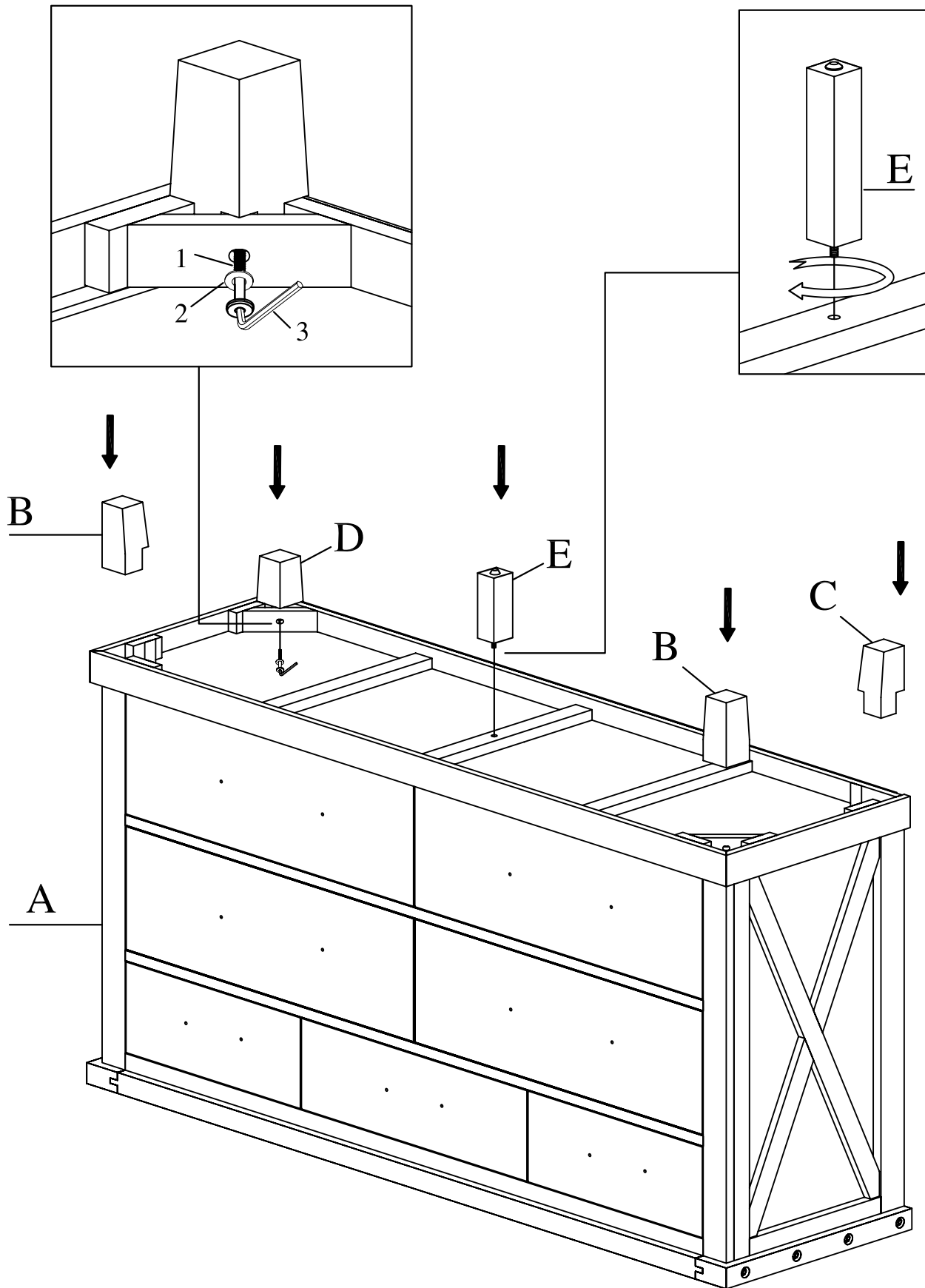
<p>A. DRESSER 1PC</p> 	<p style="text-align: center;">DRESSER ASSEMBLED</p> 
<p>B. FRONT LEGS 2PCS</p> 	
<p>C. BACK LEFT LEG 1PC</p> 	
<p>D. BACK RIGHT LEG 1PC</p> 	
<p>E. LEG 1PC</p> 	

HARDWARE ARE PACKED IN BOX

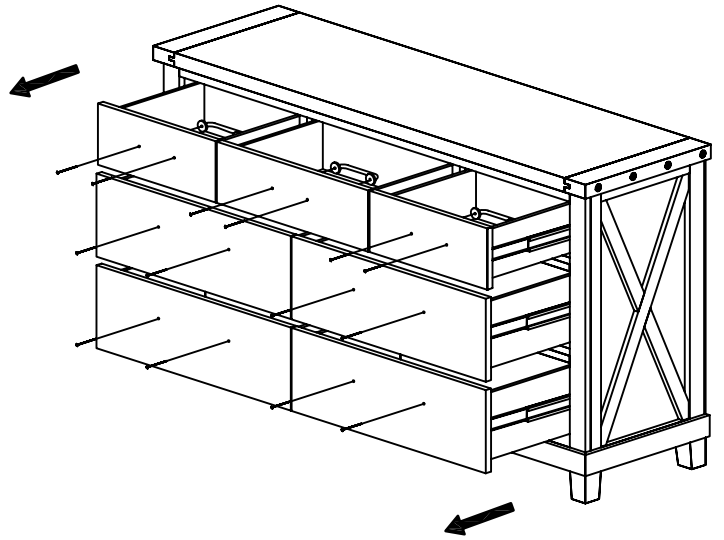
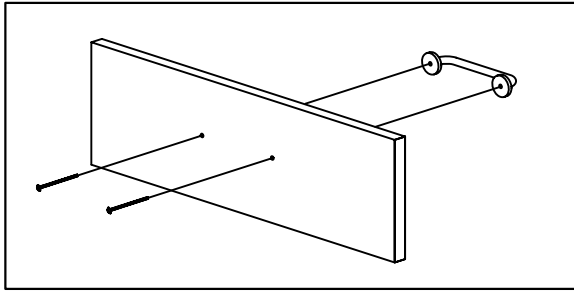
1	ALLEN BOLT M6 x 50 MM	04 PCS	2	WASHER M8	04 PCS	3	ALLENKEY (4MM)	01 PC
								
TOOL REQUIRED								
PHILLS HEAD SCREW DRIVER NOT PROVIDED								

STEP 1:

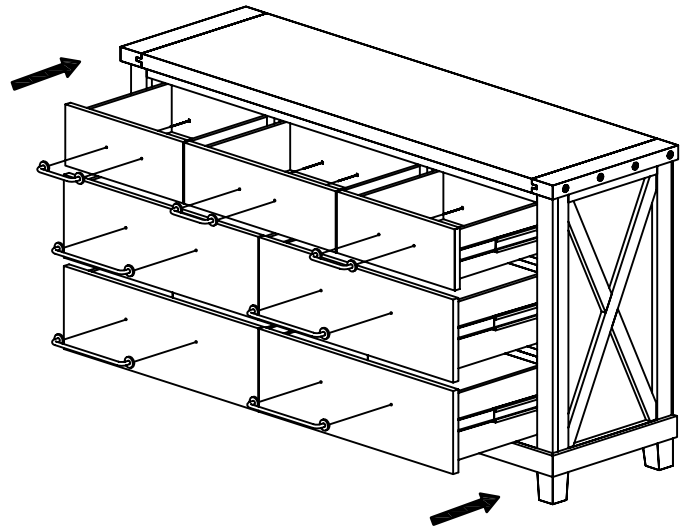
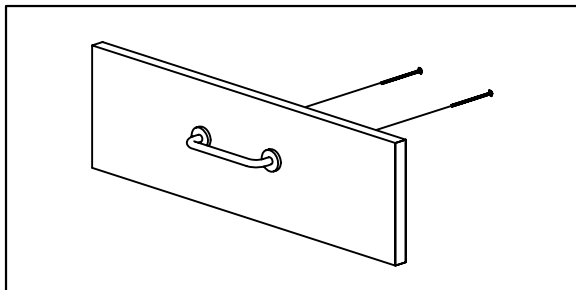
FASTEN THE LEG (B),(C),(D),(E) TO THE DRESSER (A), WITH BOLTS (1) AND WASHERS (2).



STEP 2:
PULL OUT AND REMOVE HANDLE.



STEP 3:
ASSEMBLE HANDLE.



STEP 4:
ASSEMBLY COMPLETE.

