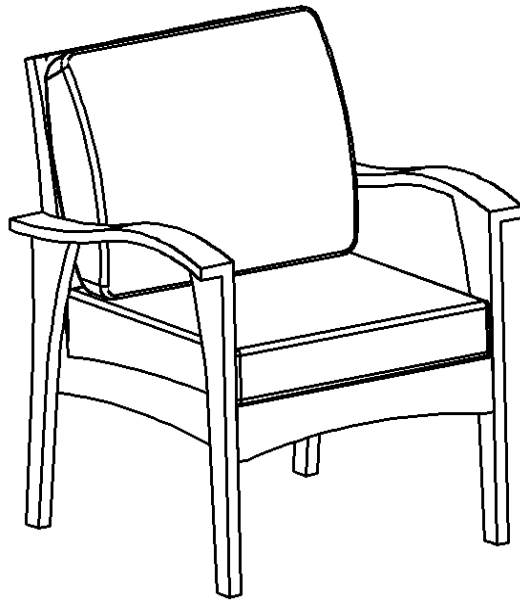


Assembly Instructions

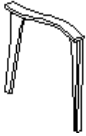
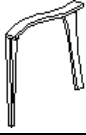
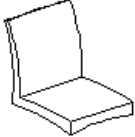
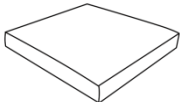
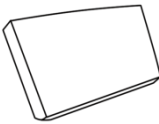
CAUTION : You must read this before you proceed

Single Chair








CAUTION : This Chair is NOT a TOY.
Keep your child / children at bay during the assembly process.

Parts List

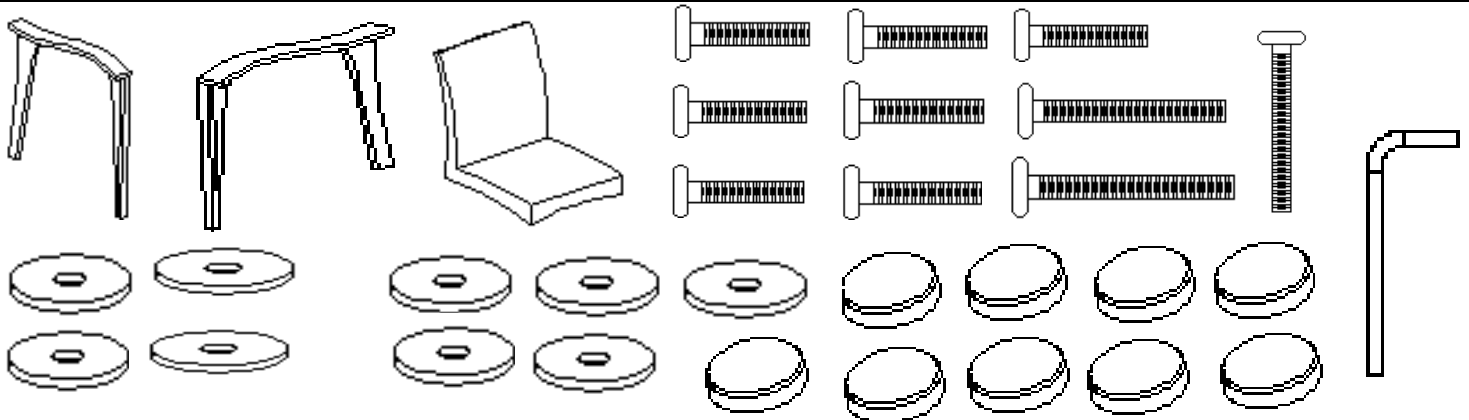
Label	Picture	Description	QTY
A		Left Armrest	1
B		Right Armrest	1
C		Seat	1
D		Seat Cushion	1
E		Back Cushion	1

Hardware

Label	Picture	Description	QTY
①		Bolt Cap	9
②		Bolt M6*35mm	7
③		M6 Washer Rings	9
④		Allen Key	1
⑤		Bolt M6*50mm	3

Assembly Preparation

Before Beginning Assembly:



- Read instructions, cover to cover-



- Have 2 adults on hand for assembly-



- Do not assemble on flooring or carpet-



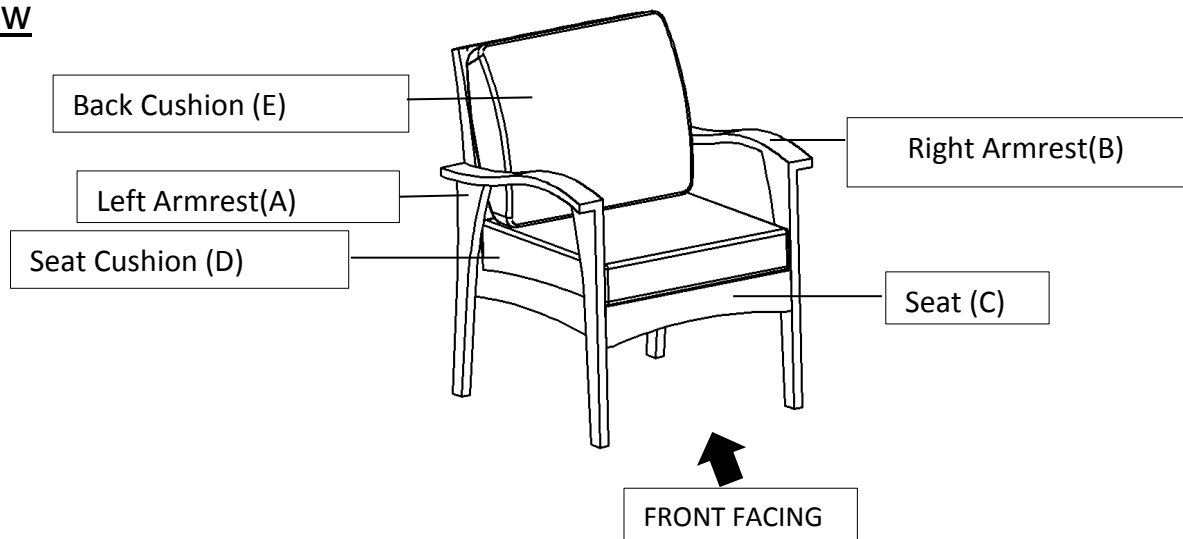
- Assemble on a clean non-marring surface (packing foam)-



- Save all packaging until finished-

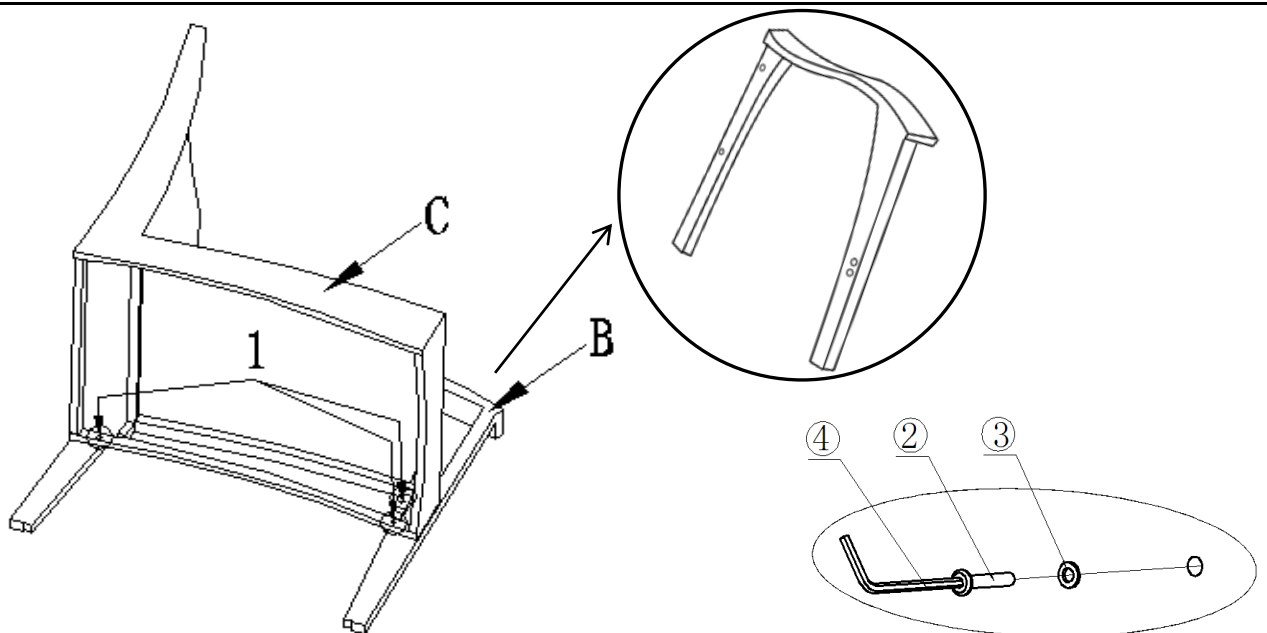
Assembly Steps

Over View



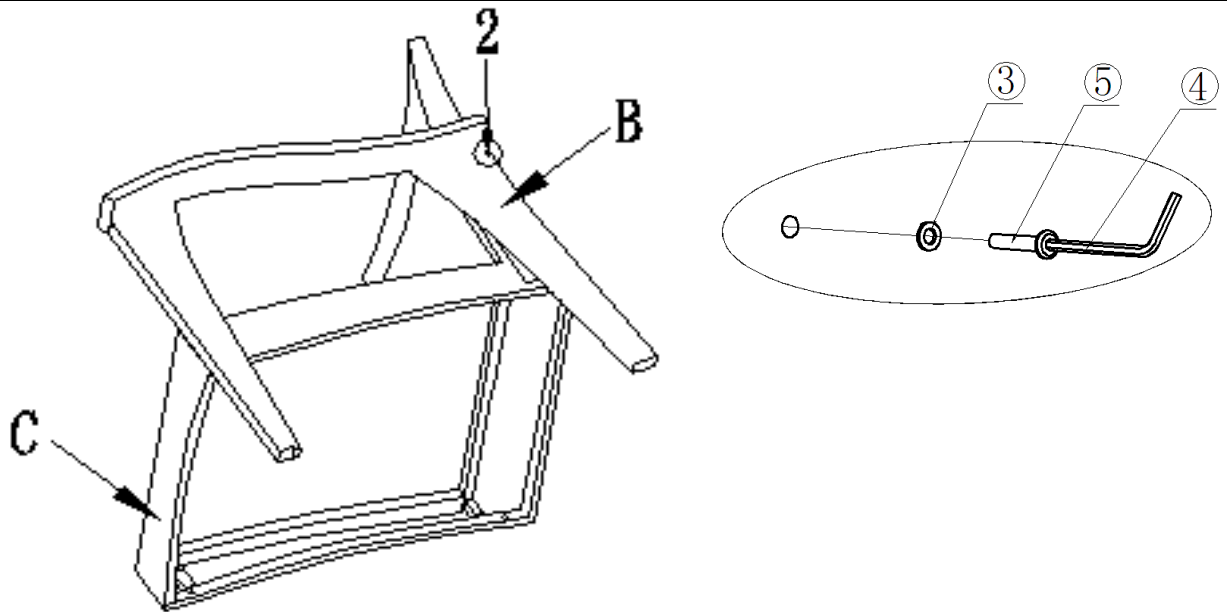
This Armless Chair has multiple parts and may require up to 30 minutes to assemble. To give you an overview of the Armless Chair parts, the above picture is to help you put the various parts into perspective. Please read through the instructions below to familiarise yourself with the parts and steps before assembly.

Step 1



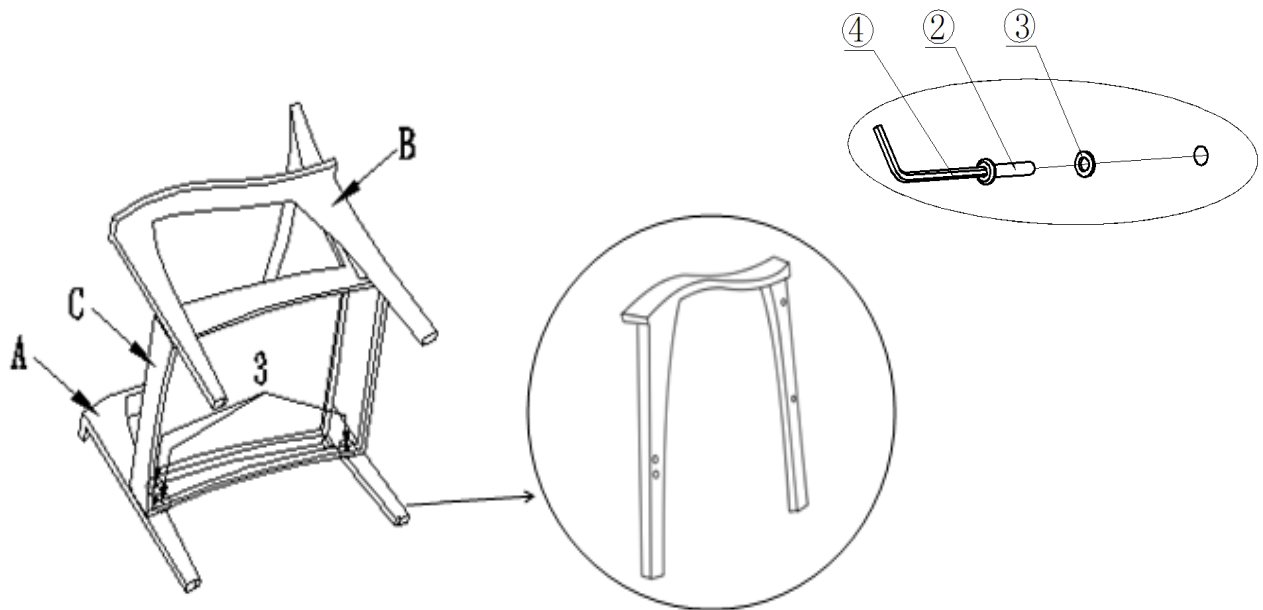
Open the carton and place all the parts onto a clean, non-marring surface.
Put the Seat (C) against the Right Armrest (B) and line up the three mounting positions of both.
Attach the Seat (C) to the Right Armrest (B) using Bolts (2) and Washers (3) with Allen Key (4).
Only loosely tighten Bolts.

Step 2



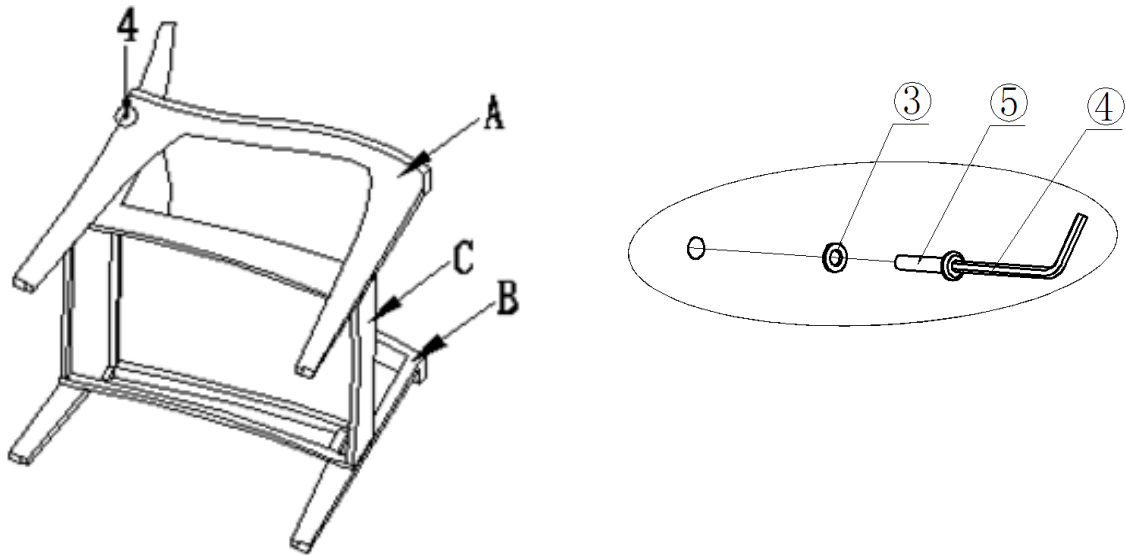
Turn the chair over, and attach Bolt(5) and Washer(3) using Allen Key(4) as pictured above. **Only loosely tighten Bolts.**

Step 3



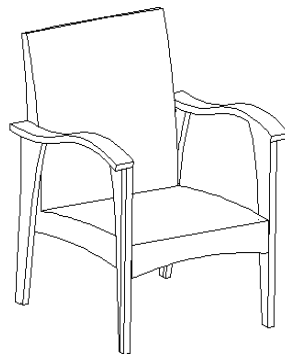
Put the Seat(C) against the Left Armrest(A) and line up the three mounting positions of both. Attach the Seat(C) to the Left Armrest(A) using Bolts(2) and Washers(3) with Allen Key(4). **Only loosely tighten Bolts.**

Step 4



Turn the Chair over, and attach Bolt(⑤) and Washer(③) using Allen Key(④) as pictured above.
Only loosely tighten Bolts.

Step 5



Turn the Chair right side up.
Place the Chair on a LEVEL SURFACE.
Inspect it and make sure all parts are adequately connected.
Gently and gracefully, sit into to the Chair.
This would help to align all the parts at all the joint areas.
Then get off the Chair, and in a sequential manner, proceed to tighten all bolts.

When tightening the Bolts, tighten sequentially.

DO NOT tighten any Bolt fully and then move on to the next one.

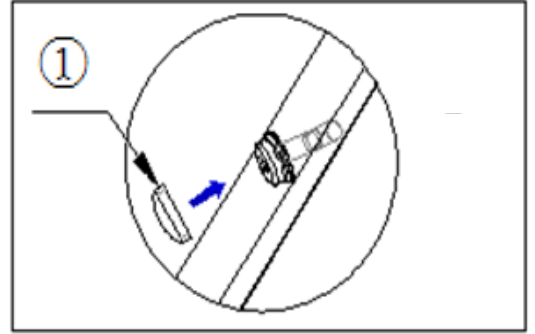
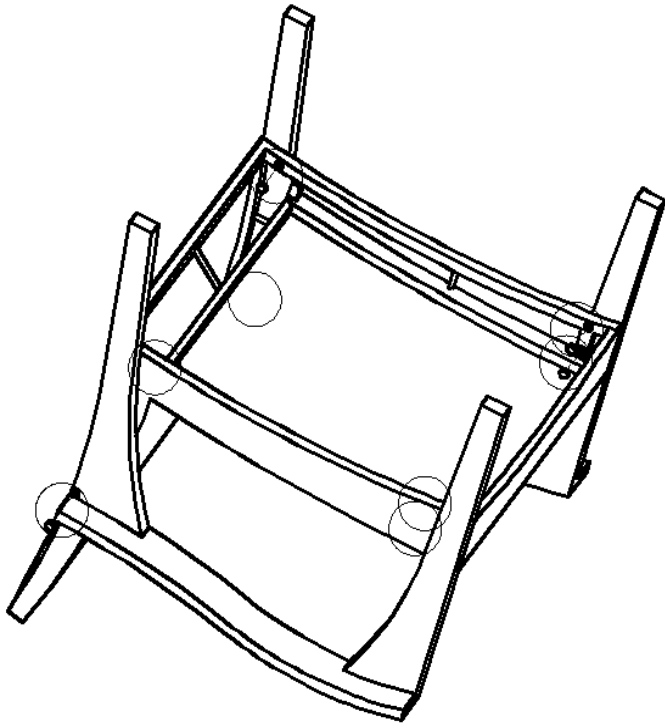
This may cause the frame to warp.

If there is still wobbles, loosen the bolts and execute this same process.

If the Chair is not stable it could lead to damage to the product.

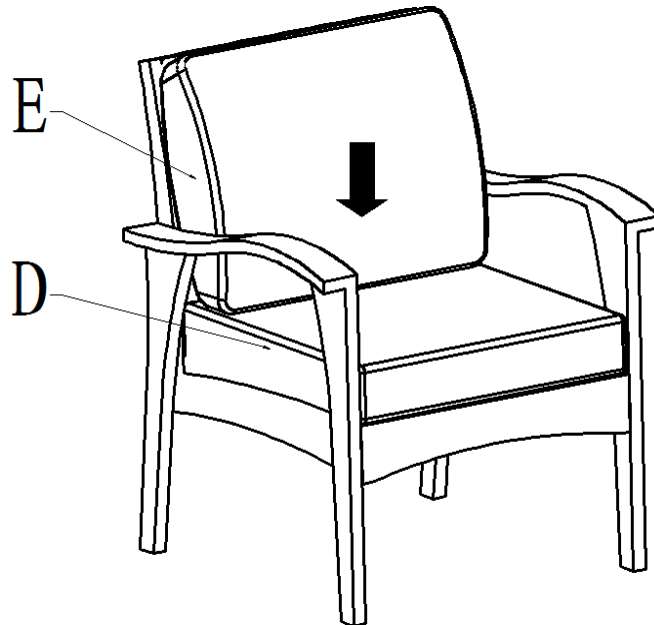
Note: This step is done better with the assistance of a second adult.

Step 6













Put the Bolt Caps(①) over all the Bolts.

Step 7



Turn the Chair right side up.
Place the Back Cushion(E) and Seat Cushion(D) onto the Chair.
Your Chair is ready for use.
Caution: This Chair can only be used on a flat, level surface.

Care & Maintenance

-  Do not put hot items directly on furniture surface
 -  Do not clean furniture with harsh cleansers or polish.
 -  To obtain the longest lifespan of your outdoor products, minimizing exposure to direct sunlight is recommended.
 -  Children should not climb or jump on the furniture.
 -  Do not write on furniture without a padded barrier to protect the surface.
 -  To obtain the longest lifespan of your outdoor products, avoid extended and lengthy exposure to rain, snow, and direct sunshine. Whenever possible cover the product and /or place under patio or awnings.
 -  Not for commercial use. For residential use only .
 -  Stains may be removed with mild soap solution and damp cloth.
 -  Keep away from sources of ignition.
-
-  Dust and pick-up spills using a clean, non-colored, lint-free cloth .

Questions & Answers about Proposition 65

• What is Proposition 65?

Proposition 65 requires businesses to provide warnings to Californians about significant exposures to chemicals that cause cancer, birth defects or other reproductive harm. These chemicals can be in the products that Californians purchase, in their homes or workplaces, or that are released into the environment. By requiring that this information be provided, Proposition 65 enables Californians to make informed decisions about their exposures to these chemicals. Proposition 65 also prohibits California businesses from knowingly discharging significant amounts of listed chemicals into sources of drinking water.

Proposition 65 requires California to publish a list of chemicals known to cause cancer, birth defects or other reproductive harm. This list, which must be updated at least once a year, has grown to include approximately 900 chemicals since it was first published in 1987.

• What types of chemicals are on the Proposition 65 list?

The list contains a wide range of naturally occurring and synthetic chemicals that include additives or ingredients in pesticides, common household products, food, drugs, dyes, or solvents. Listed chemicals may also be used in manufacturing and construction, or they may be byproducts of chemical processes, such as motor vehicle exhaust.

• What does a warning mean?

If a warning is placed on a product label or posted or distributed at a workplace, a business, or in rental housing, the business issuing the warning is aware or believes that it is exposing individuals to one or more listed chemicals.

By law, a warning must be given for listed chemicals unless the exposure is low enough to pose no significant risk of cancer or is significantly below levels observed to cause birth defects or other reproductive harm.

• Where can I get more information on Proposition 65?

If you have specific questions on the administration or implementation of Proposition 65, you can contact OEHA's Proposition 65 program at P65.Questions@oeha.ca.gov, or by phone at (916) 445-6900.