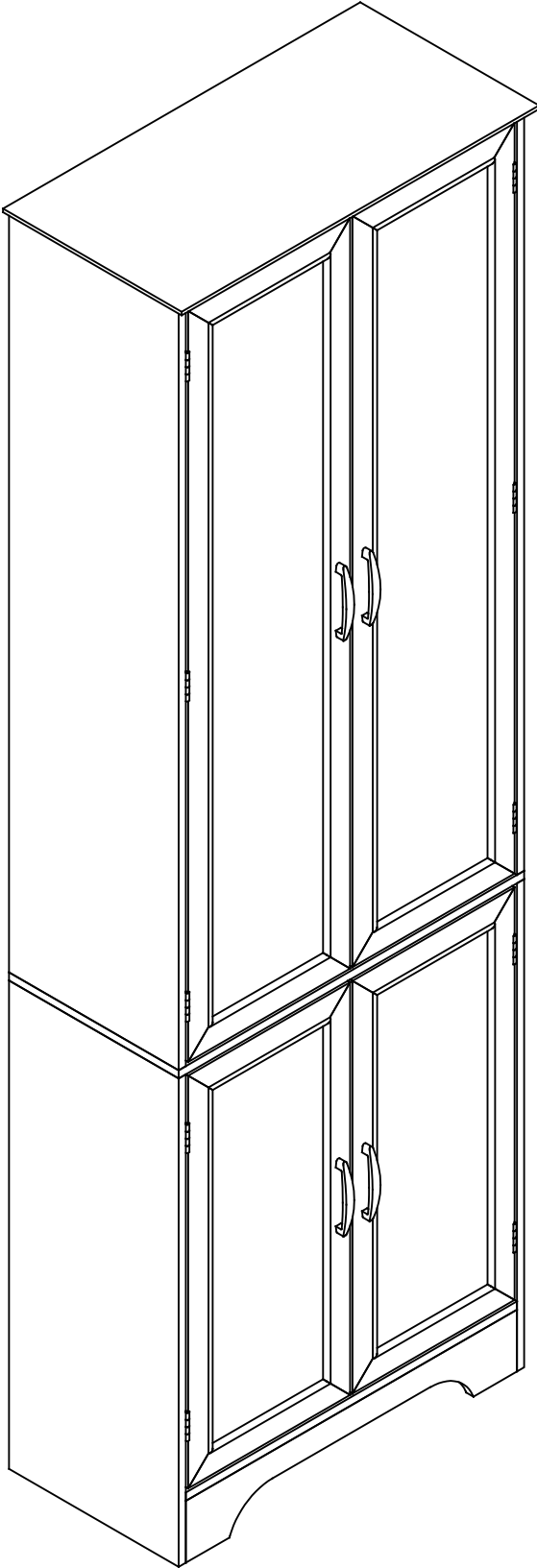


Storage Cabinet



General Guidelines

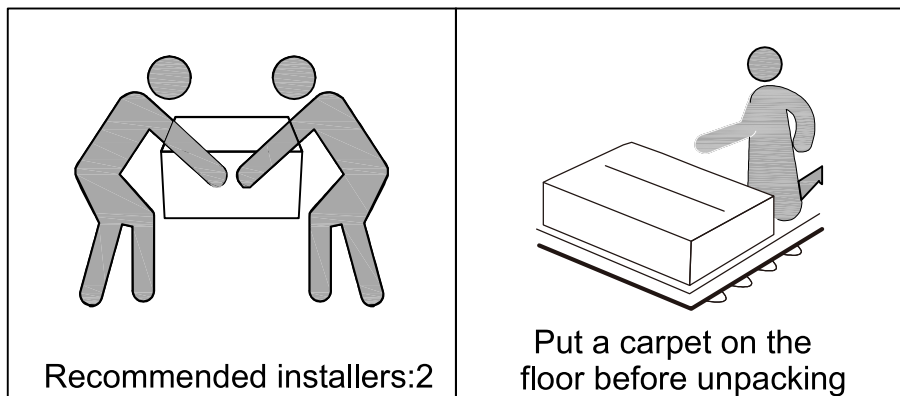
- * Please read the following instruction carefully and use the product accordingly.
- * Please keep this manual and hand it over when you transfer the product.
- * This summary may not include every detail of all variations and considered steps. Please contact us when further information and help are needed.

Notes

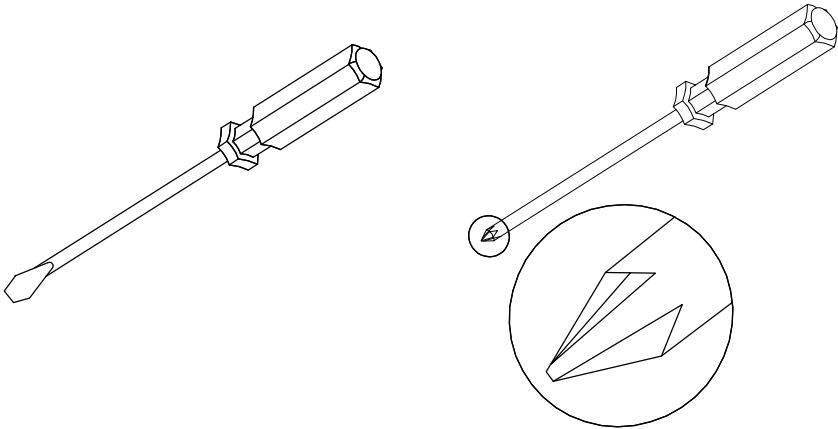
- * The product is intended for indoor use only. The product must be assembled and used in accordance with the provisions of the manual. Personal injury and/or damage to product may occur if products are used outside of their intended purposes and/or if products have been changed/modified from their original design. The seller does not assume any responsibility or liability with respect to any injury/damage caused by incorrect assembly or improper use.
- * If there are any defective or missing parts after unpacking, please cease assembly immediately and contact us.
- * Please wear gloves during the assembly and/or disassembly process to avoid scratches from any sharp edges..
- * Please place this item on level, solid ground during use.
- * Avoid long-term exposure to humid environments to prevent mildew.
- * Keep the product away from fire sources and high temperatures. Do not expose the product to direct sunlight.
- * Do not place any hot objects on the surface of the product.
- * **Do not fully tighten the screws during initial assembly. Fully tighten screws only once all pieces which are correctly assembled**

Warnings

- * Children are not allowed to assemble the product. During assembly, keep all any small parts out of the reach of children as they may be fatal if swallowed or inhaled.
- * Children are forbidden to climb or play on the product to avoid serious bodily injury caused by the toppling.
- * Keep plastic packing bags out of reach of children to avoid any potential danger, such as suffocation.
- * The product should be attached to the wall with the included anti-tipping kit to prevent personal injury caused by accidentally tipping over.



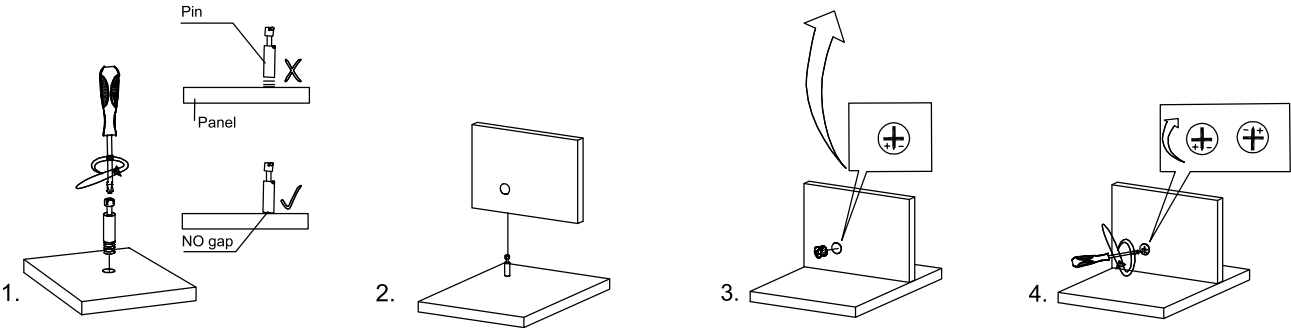
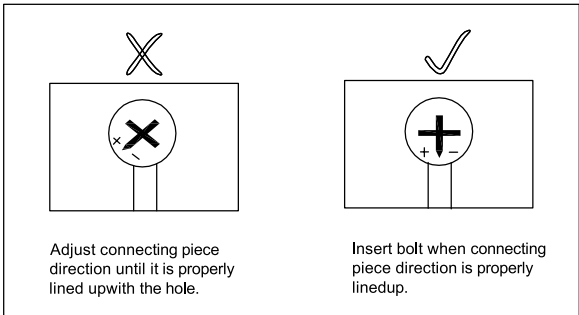
ASSEMBLY TOOLS REQUIRED (NOT INCLUDED)



Bolt

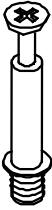


Connecting piece



Hardware Provided

1



X 30+2

2



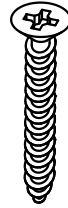
X 30+2

3



X 30+2

4



M4*35mm

X 6

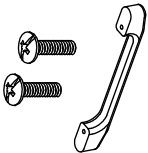
5



M3.5*12mm

X 44+3

6



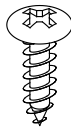
X 4

7



X 8

8



M4*12mm

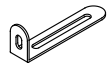
X 2

9



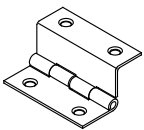
X 2

10



X 2

11



X 10

12



M3*16mm

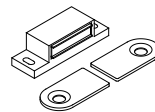
X 28+2

13



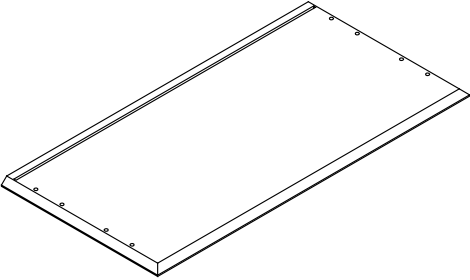

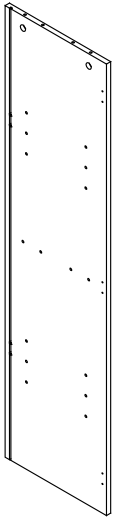
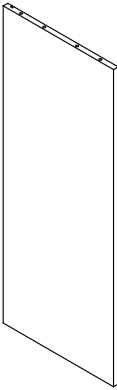
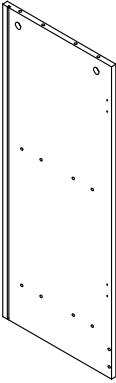
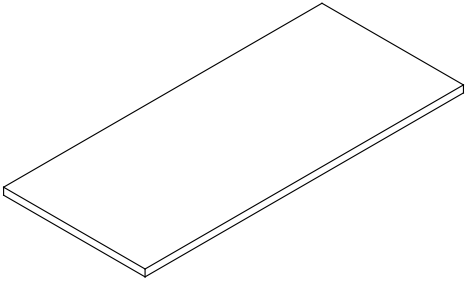
X 24+2

14

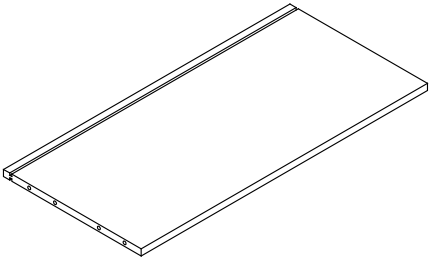
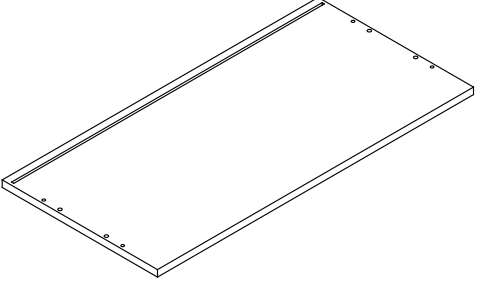
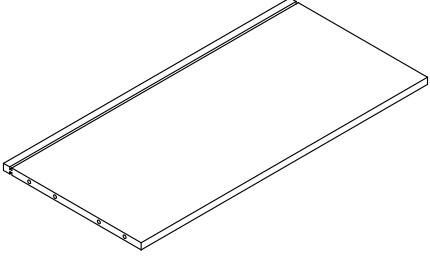
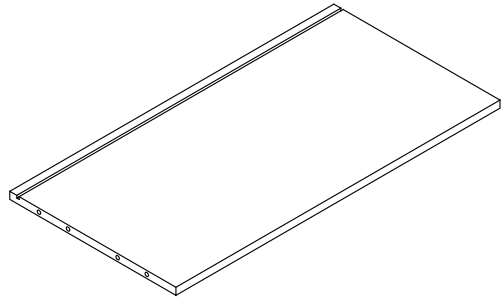
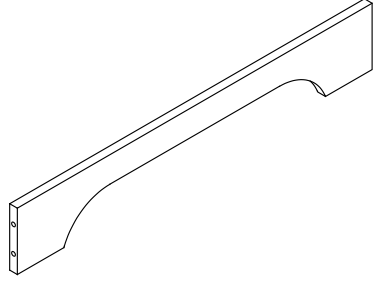
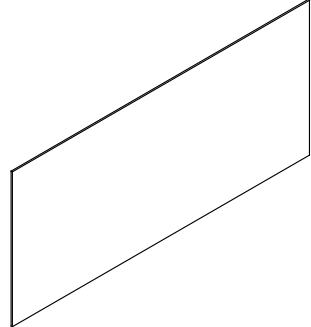


X 2

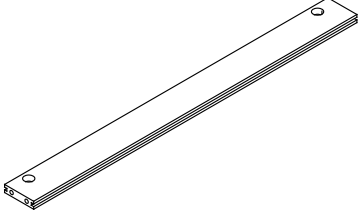
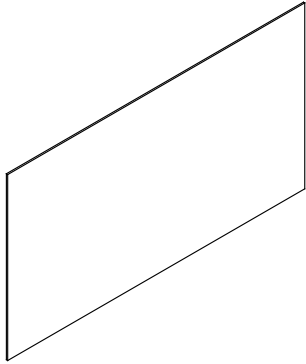
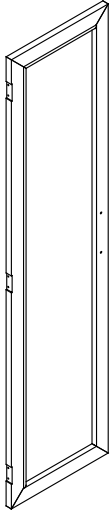
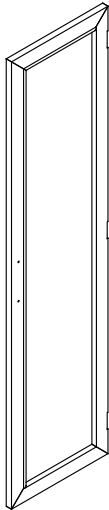
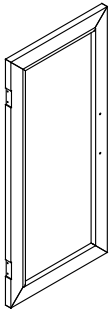
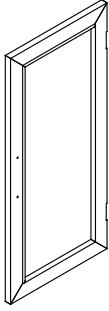
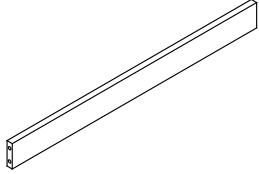
Parts Identification

<p>A</p>  <p>X 1</p>	<p>B</p>  <p>X 1</p>
<p>C</p>  <p>X 1</p>	<p>D</p>  <p>X 1</p>
<p>E</p>  <p>X 1</p>	<p>F</p>  <p>X 2</p>

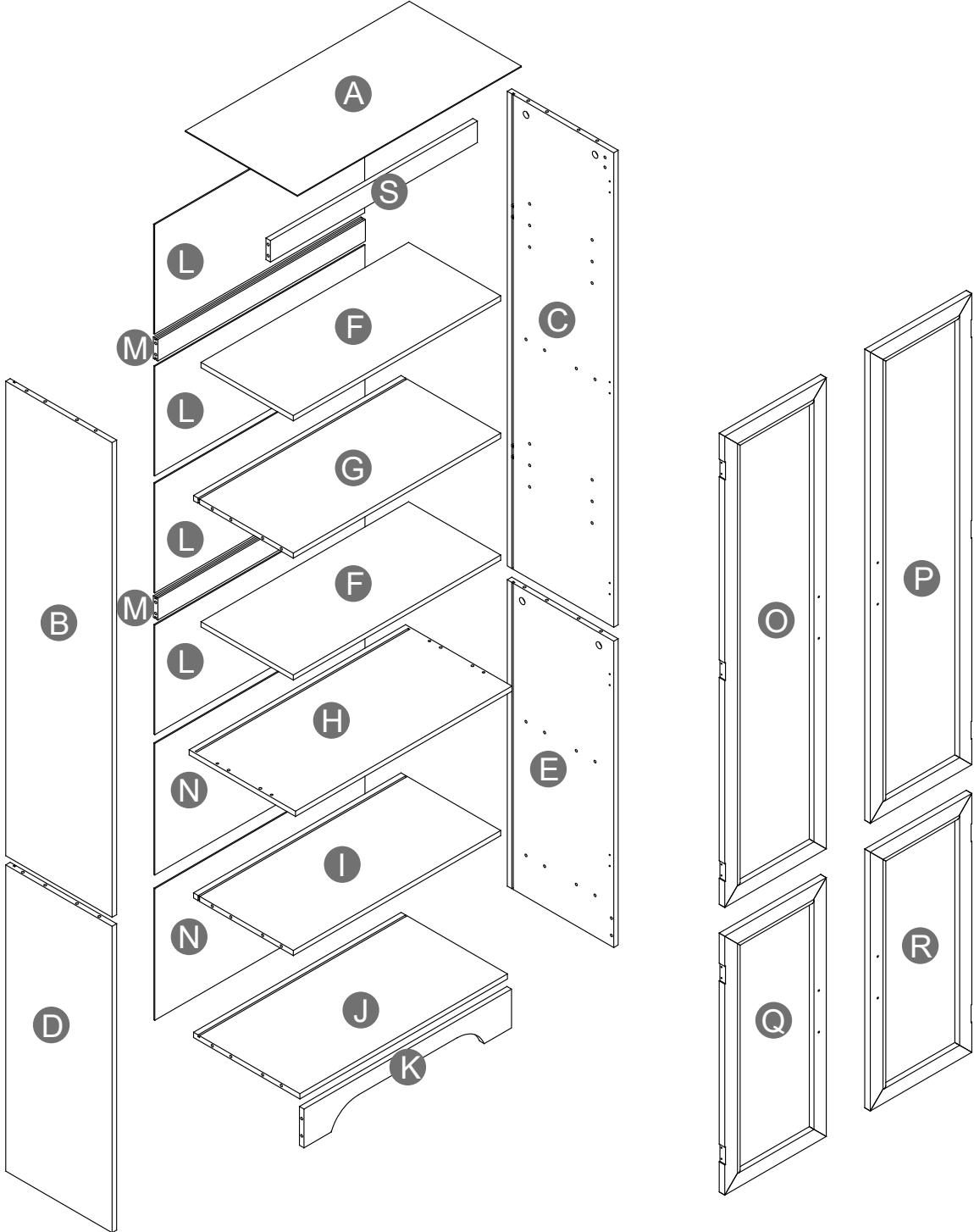
Parts Identification

<p>G</p>  <p>X 1</p>	<p>H</p>  <p>X 1</p>
<p>I</p>  <p>X 1</p>	<p>J</p>  <p>X 1</p>
<p>K</p>  <p>X 1</p>	<p>L</p>  <p>X 4</p>

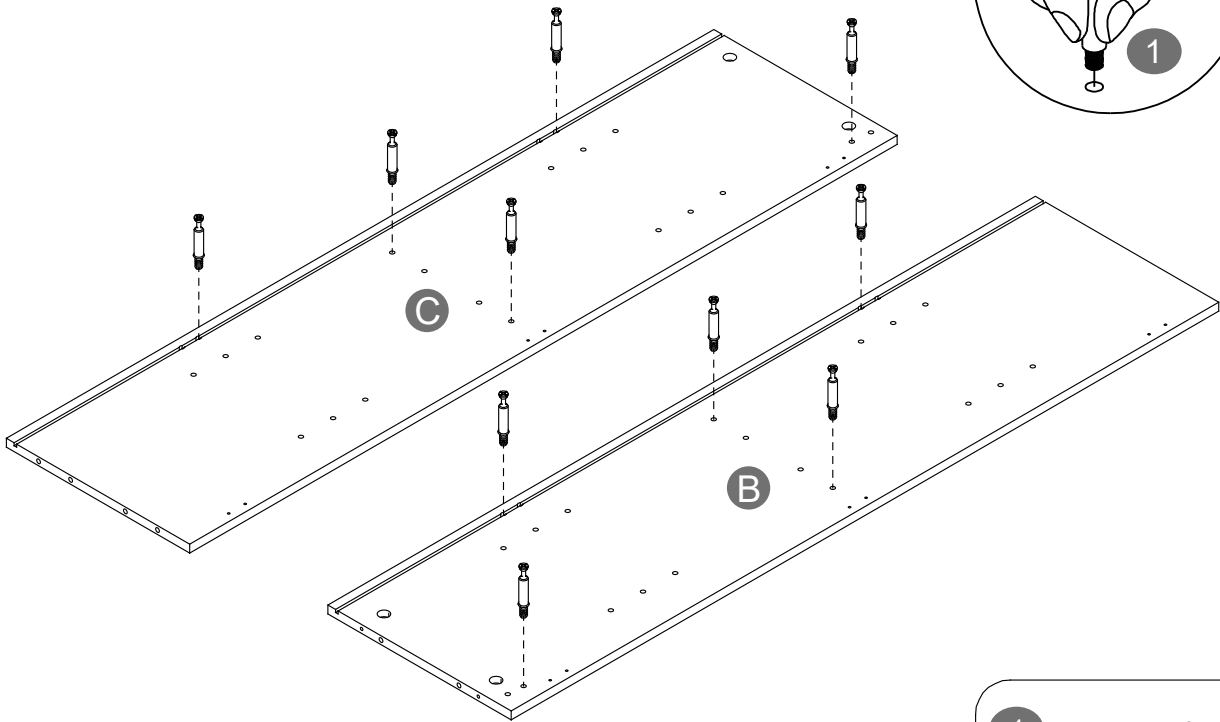
Parts Identification

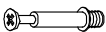
<p>M</p>  <p>X 2</p>	<p>N</p>  <p>X 2</p>	
<p>O</p>  <p>X 1</p>	<p>P</p>  <p>X 1</p>	
<p>Q</p>  <p>X 1</p>	<p>R</p>  <p>X 1</p>	<p>S</p>  <p>X 1</p>

Exploded View

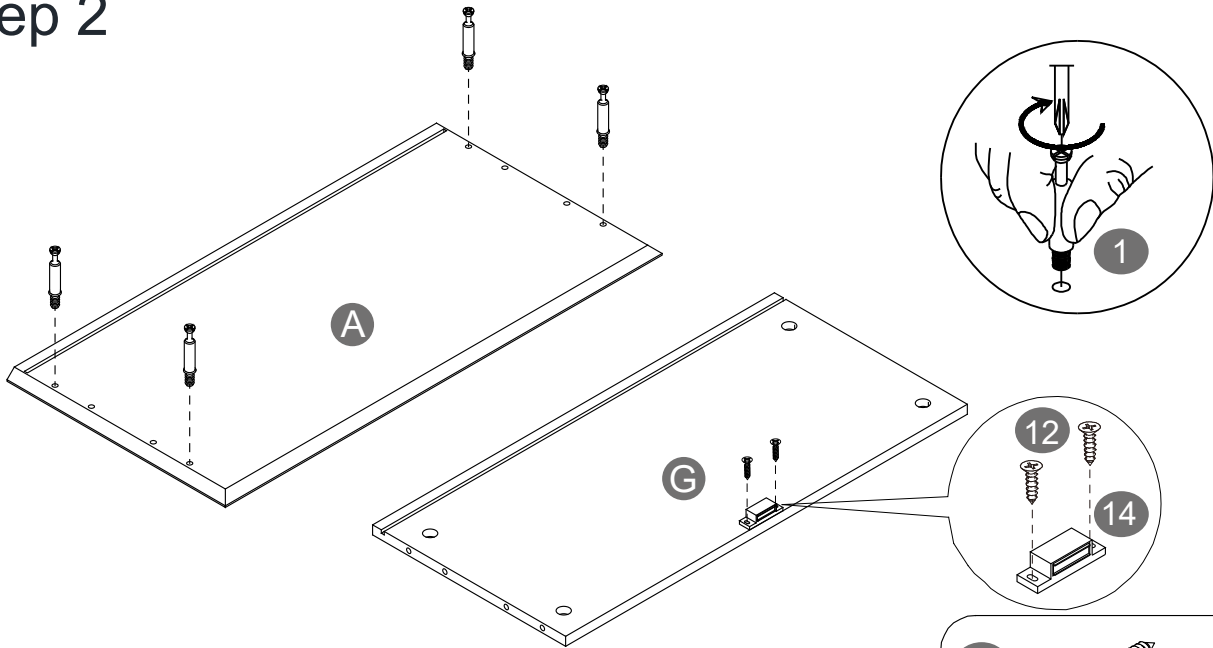



Step 1

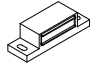


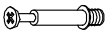
1  X 10

Step 2

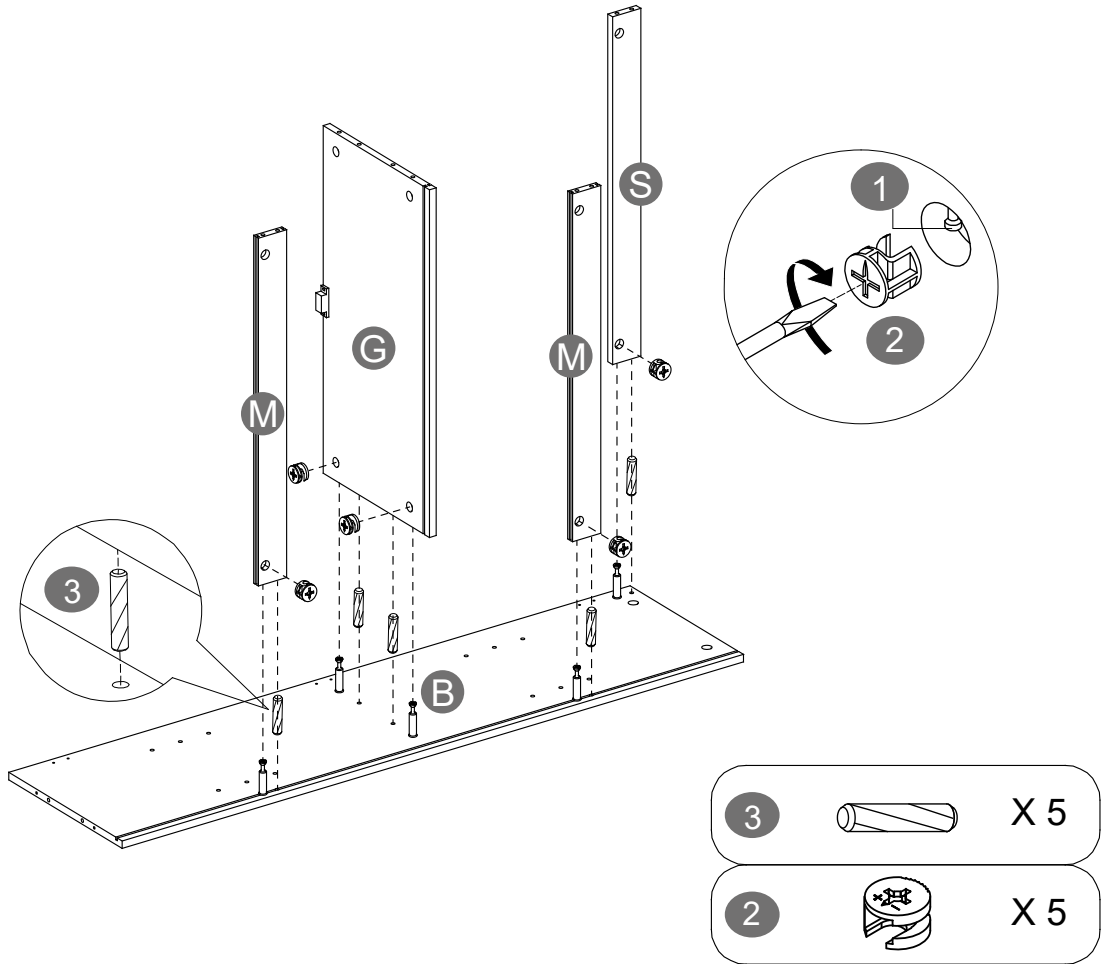


12  X 2

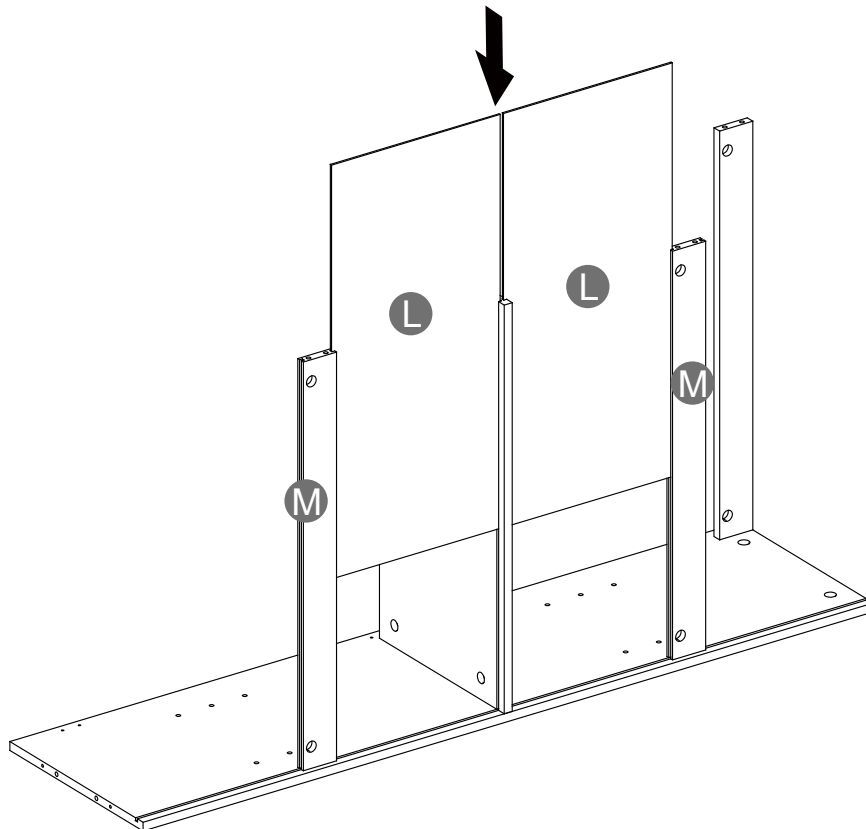
14  X 1

1  X 4

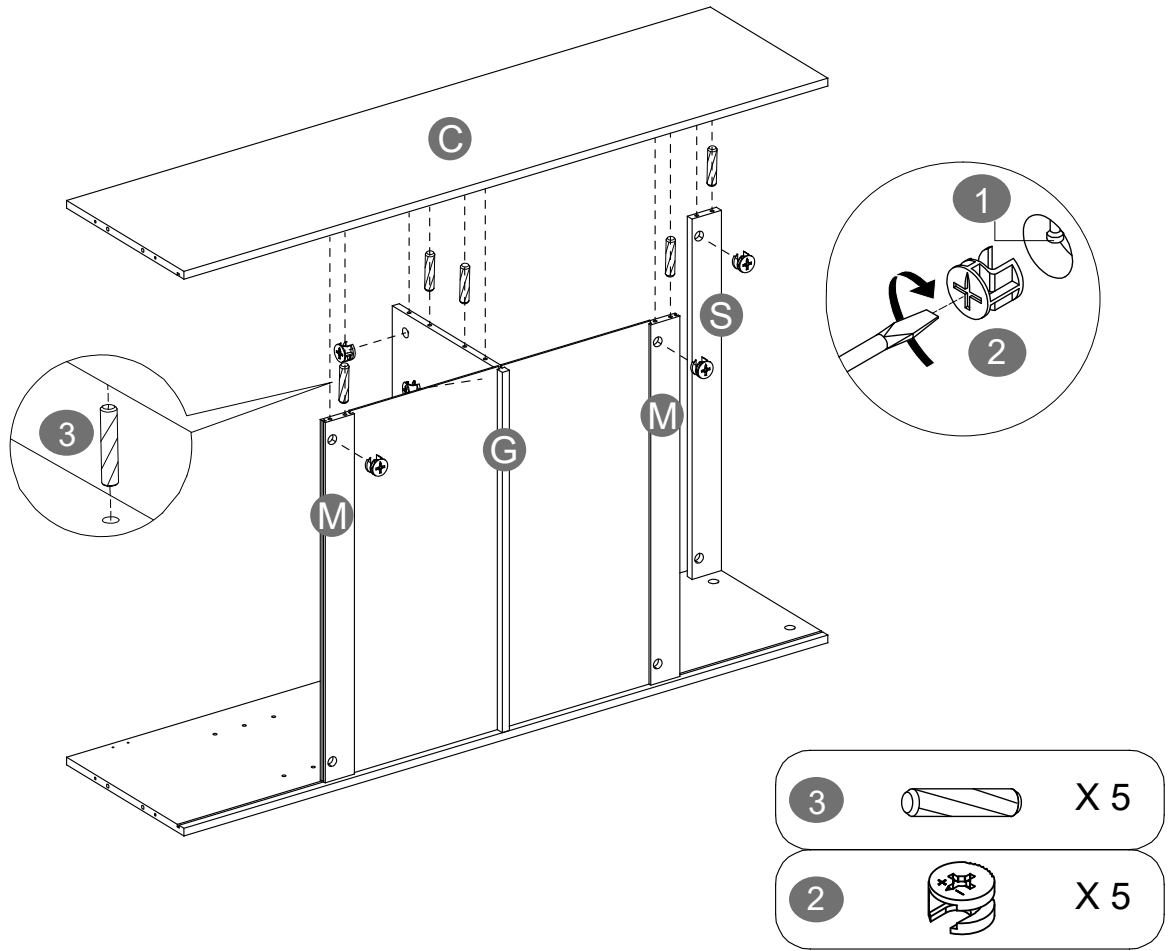
Step 3



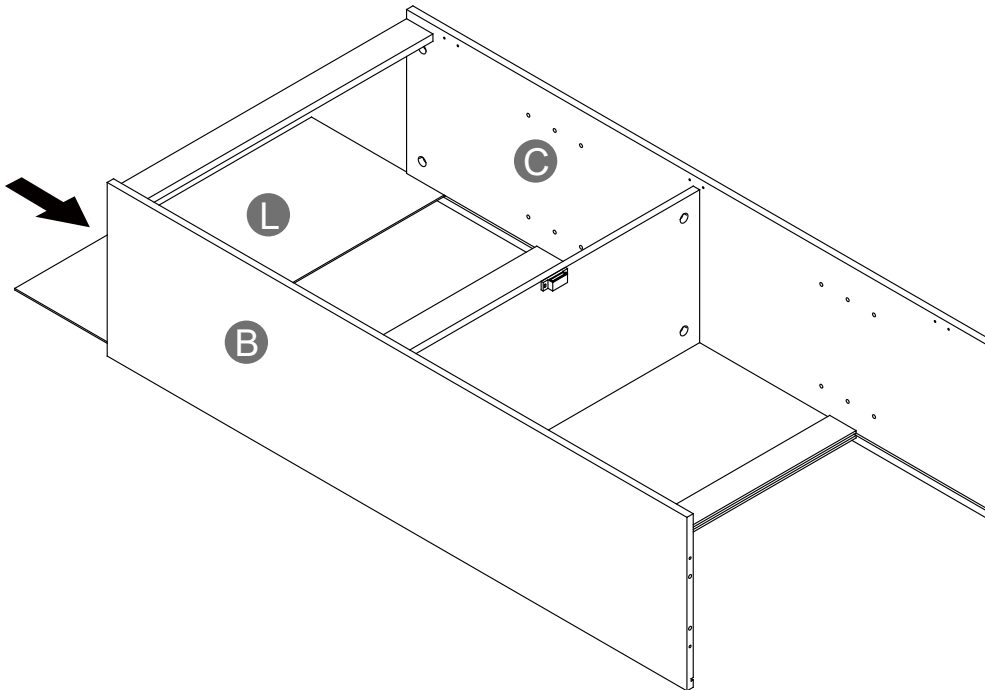
Step 4



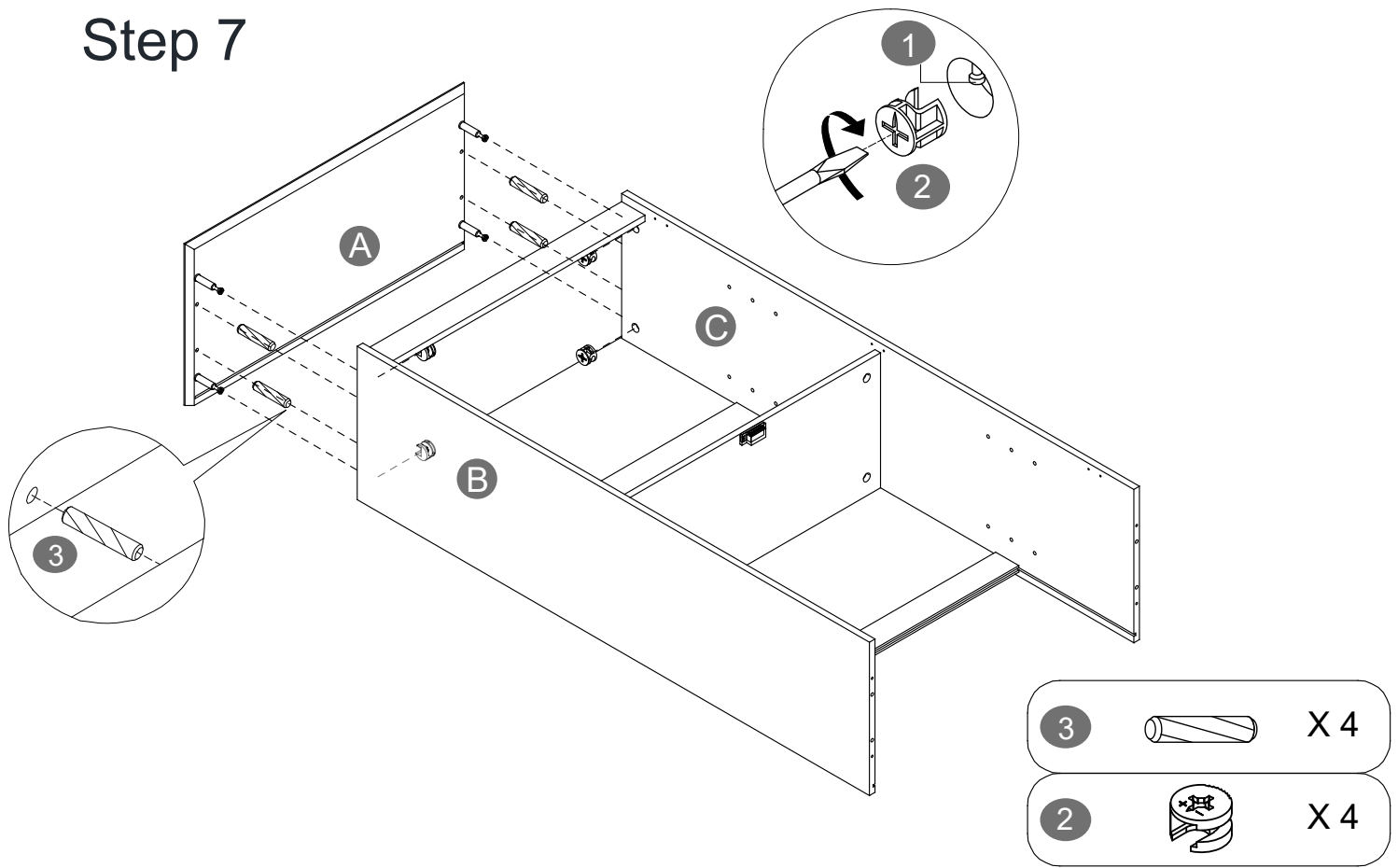
Step 5



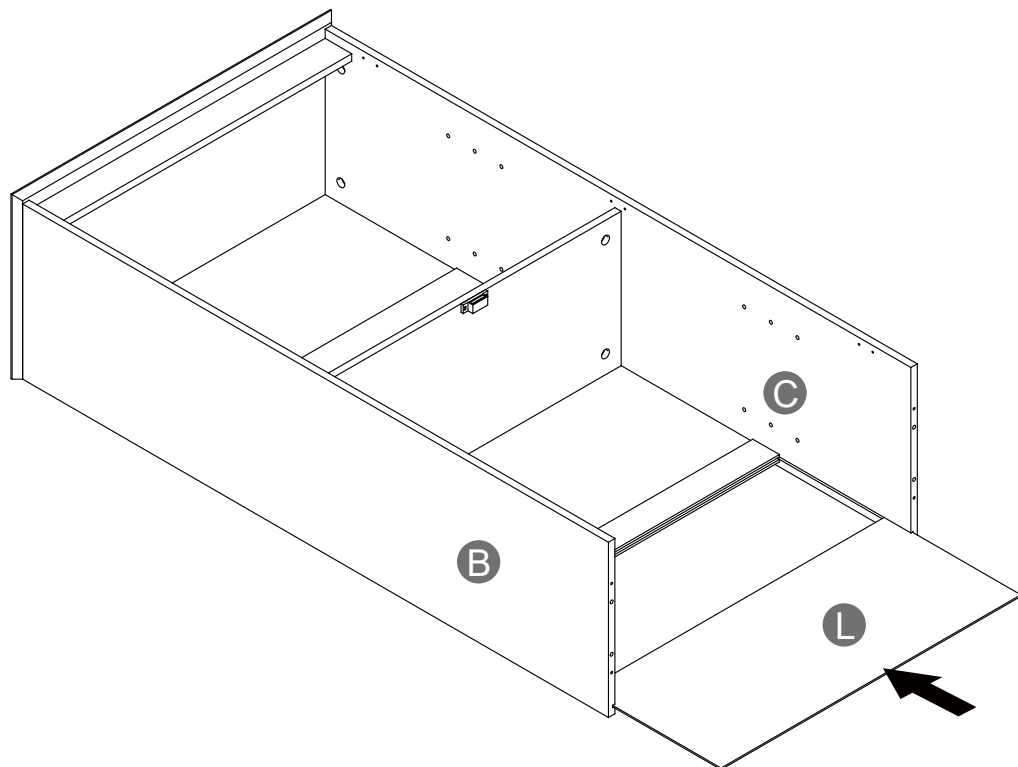
Step 6



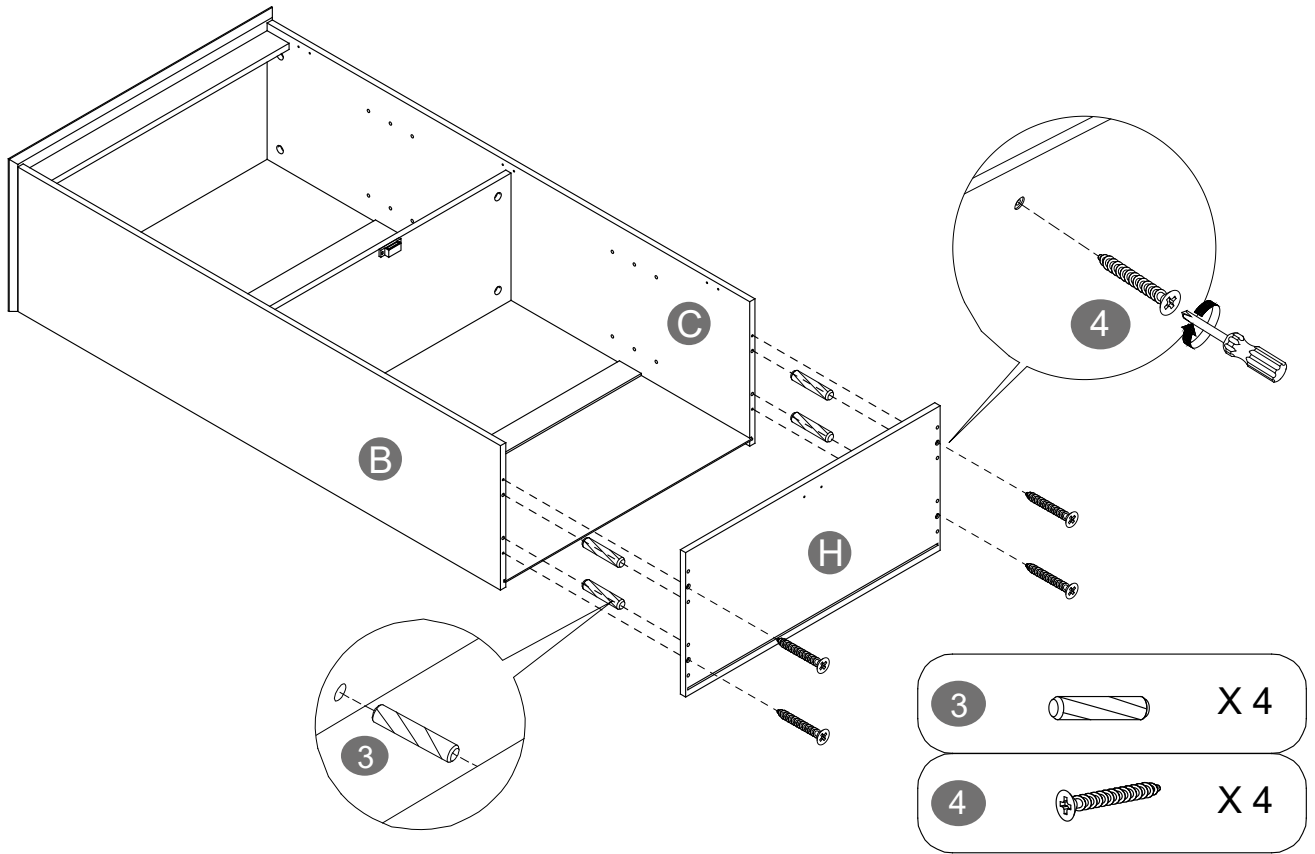
Step 7



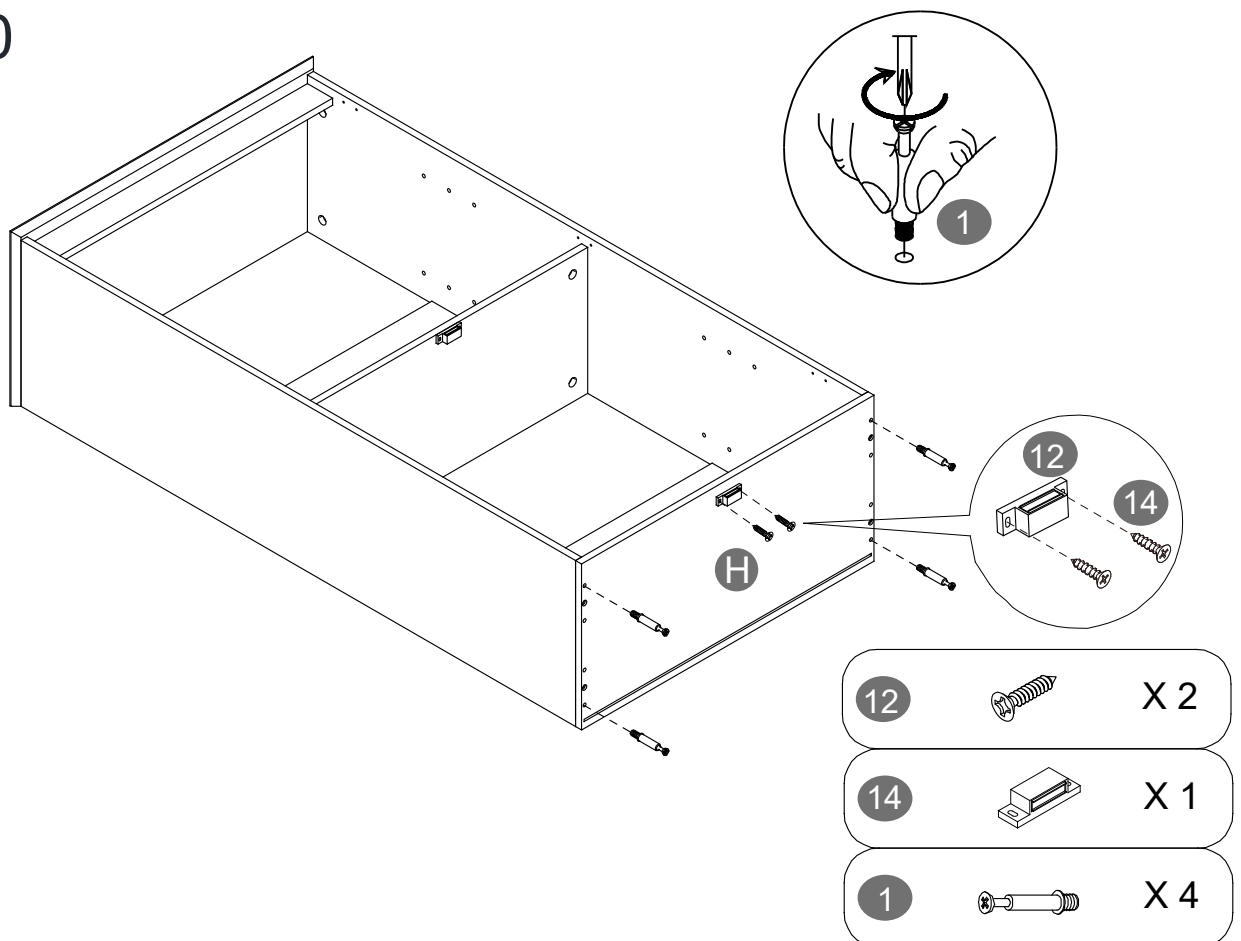
Step 8



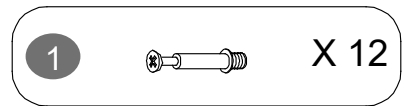
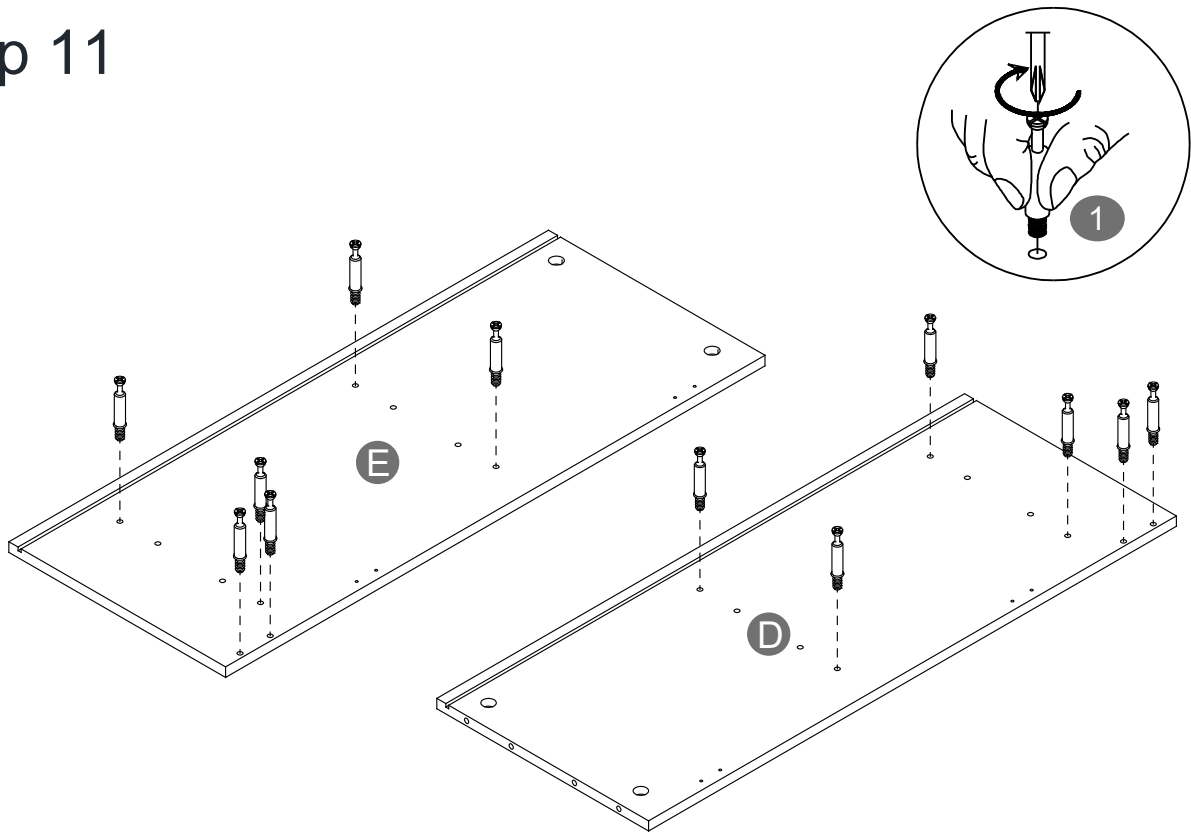
Step 9



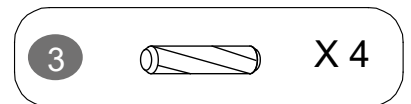
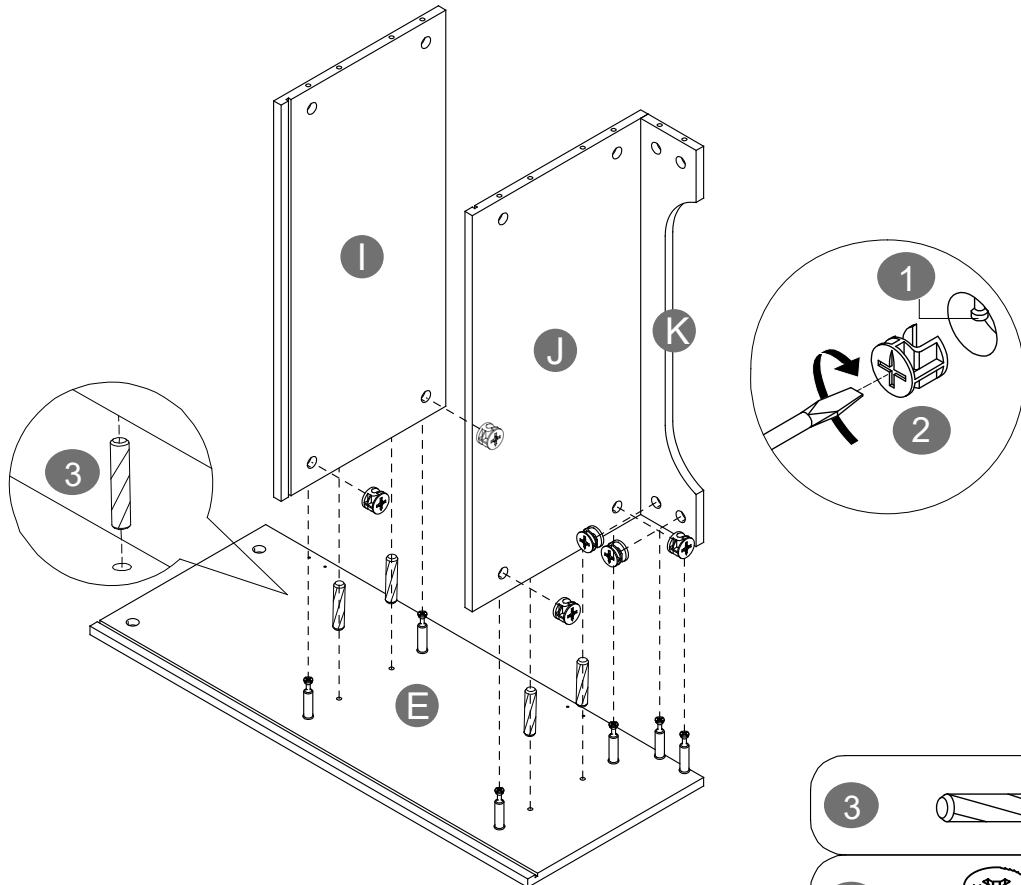
Step 10



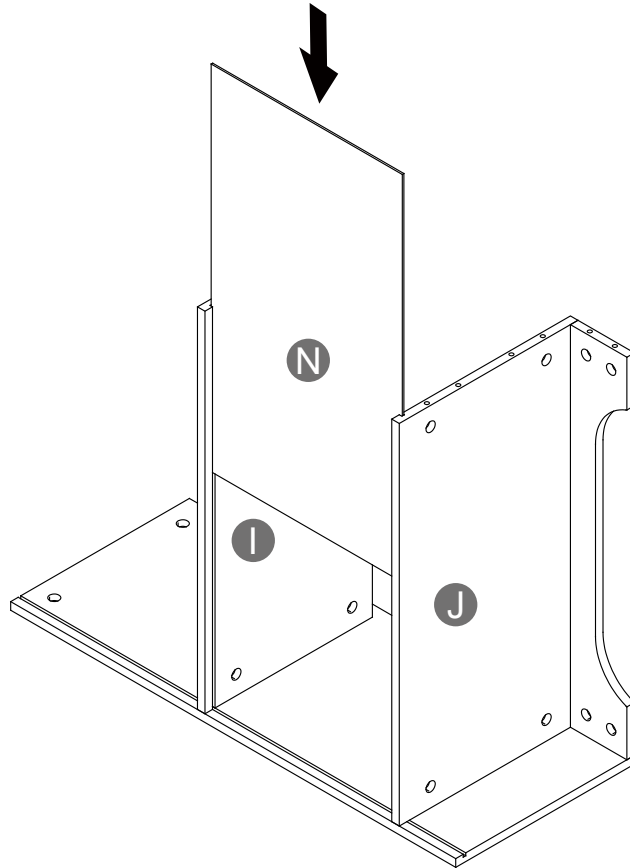
Step 11



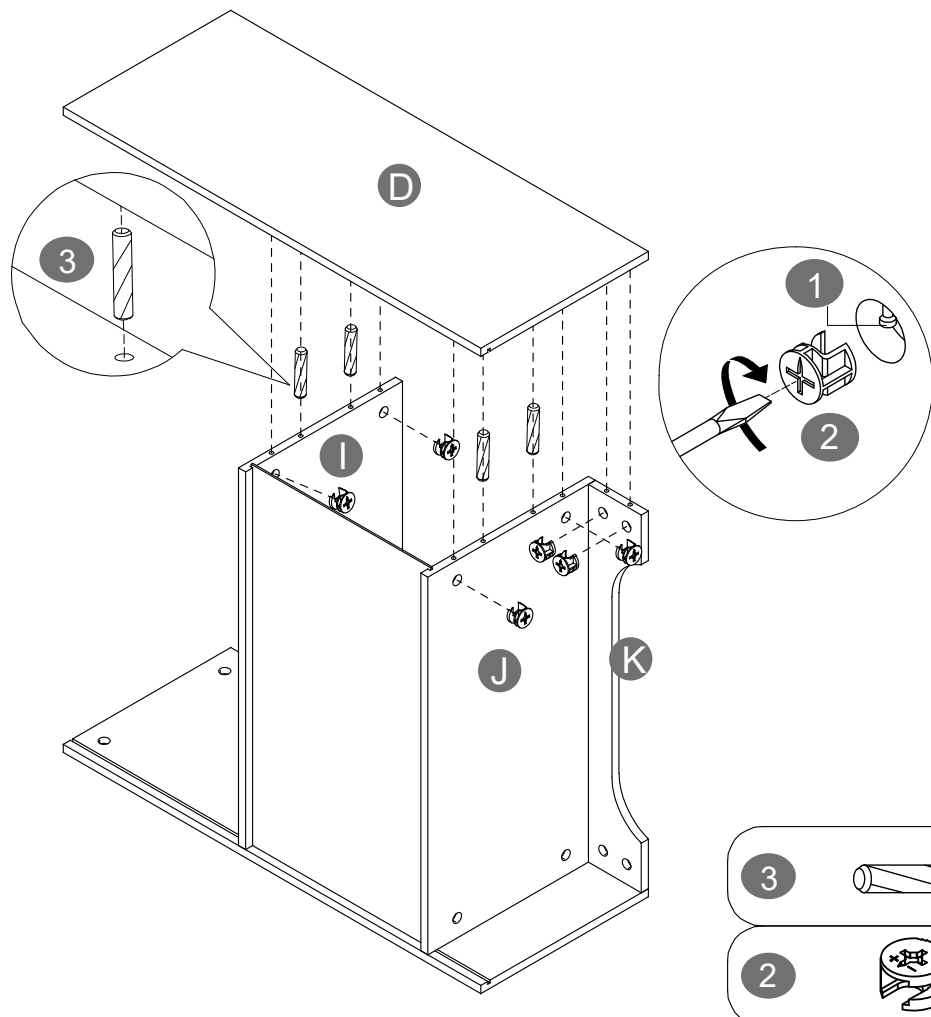
Step 12



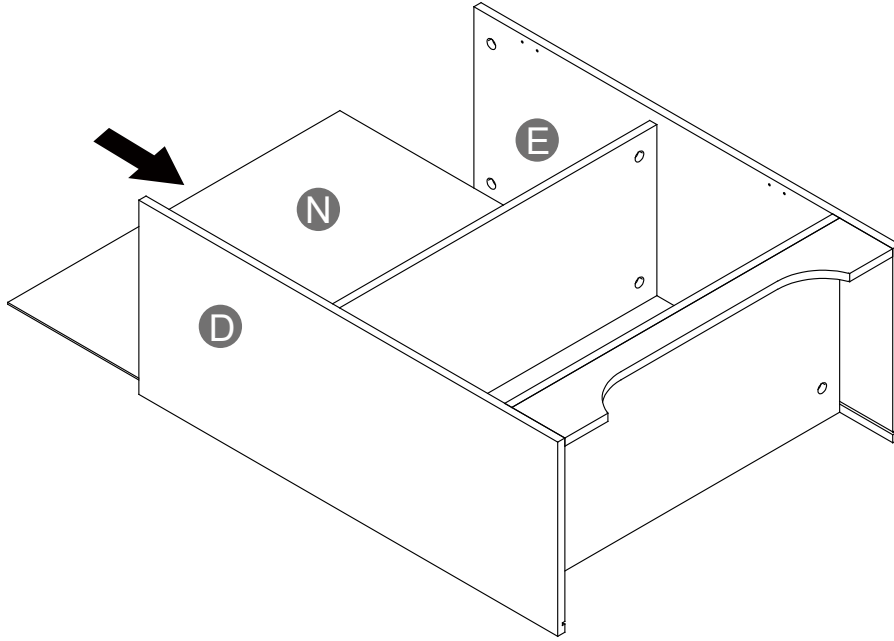
Step 13



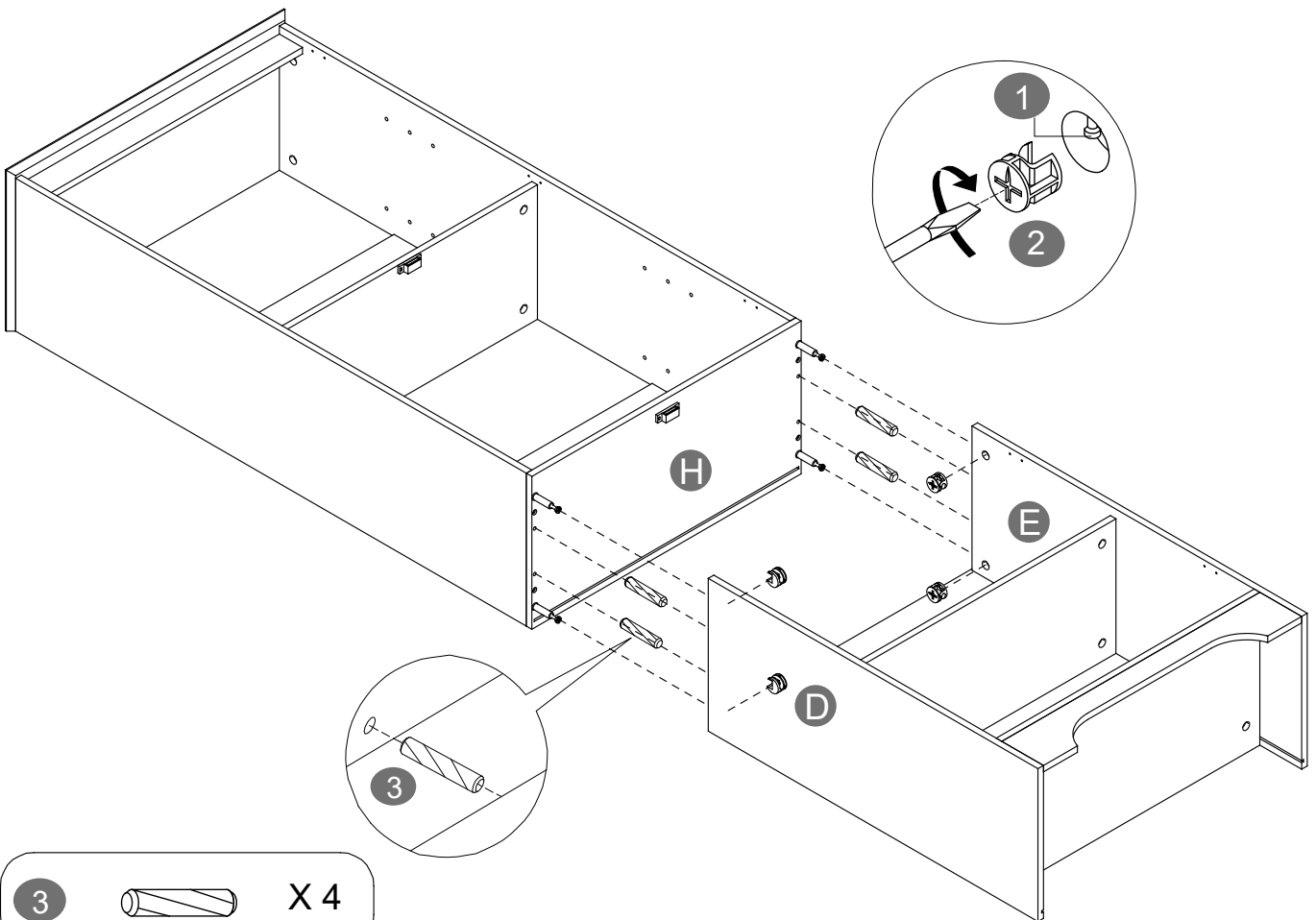
Step 14



Step 15

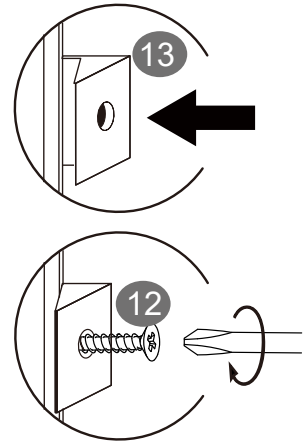
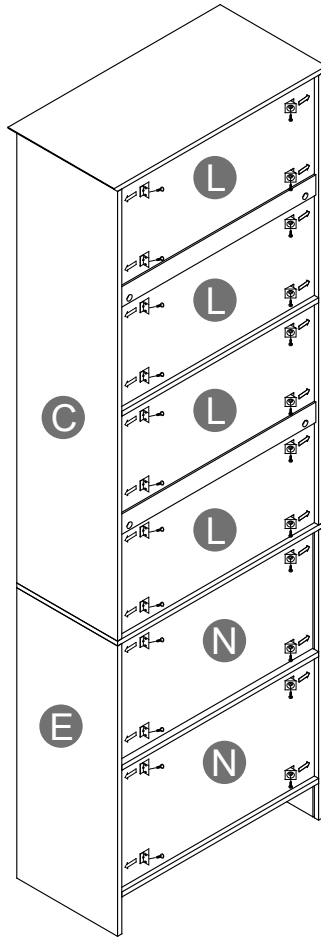



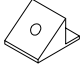
Step 16



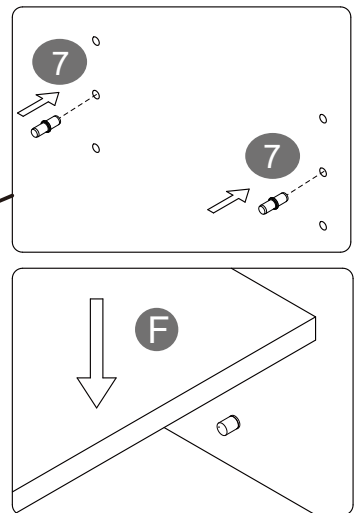
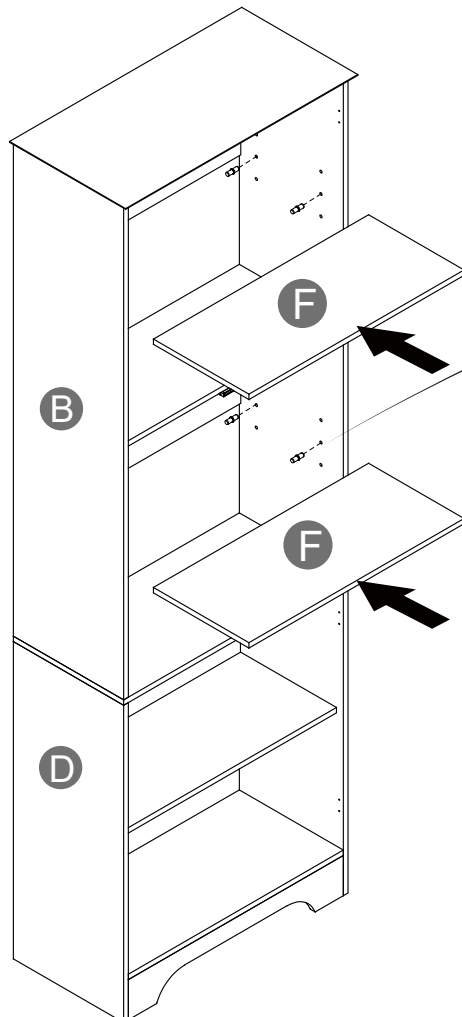
- 3 X 4
- 2 X 4

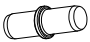
Step 17



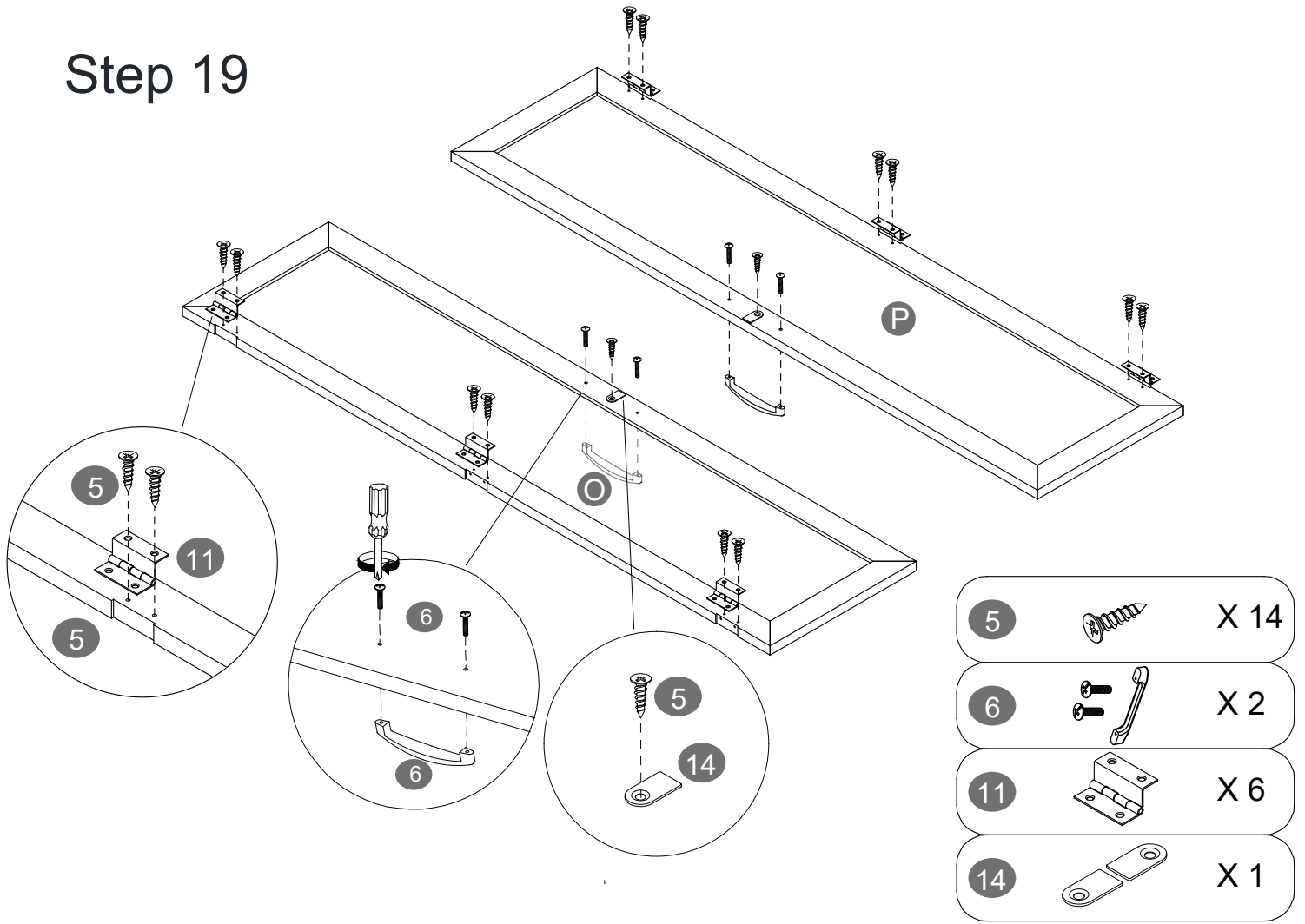
- 12  X 24
- 13  X 24

Step 18

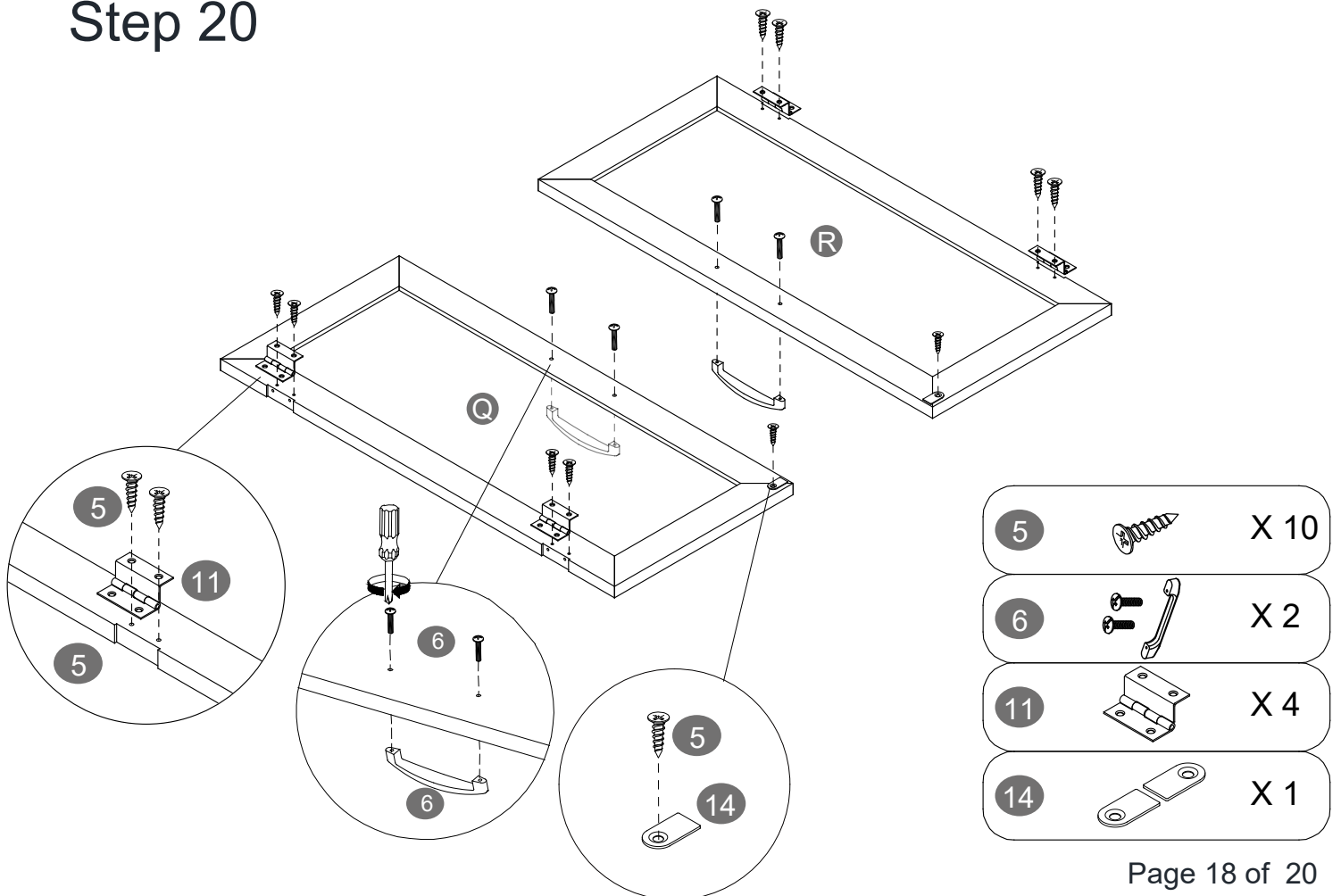


- 7  X 8

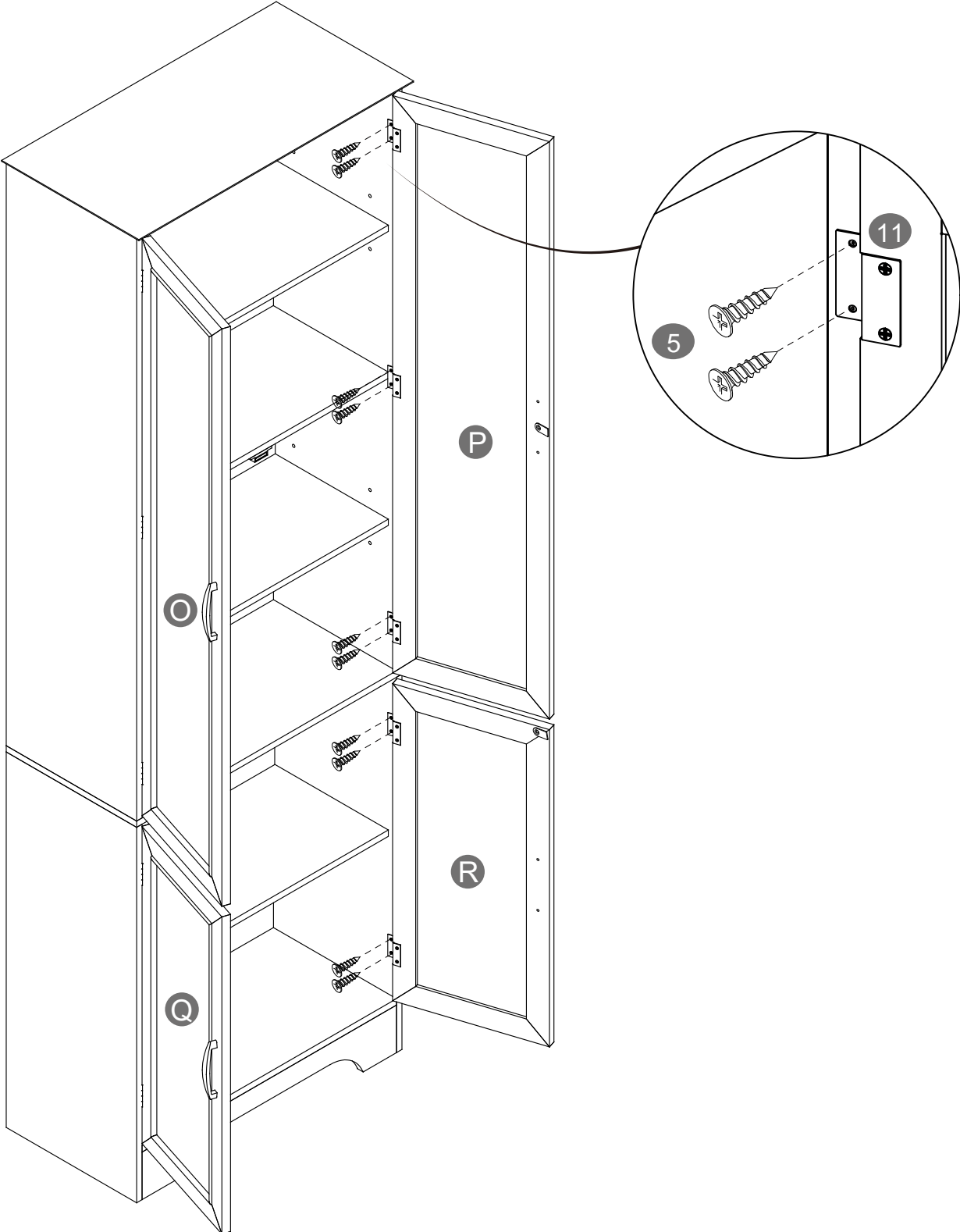
Step 19



Step 20

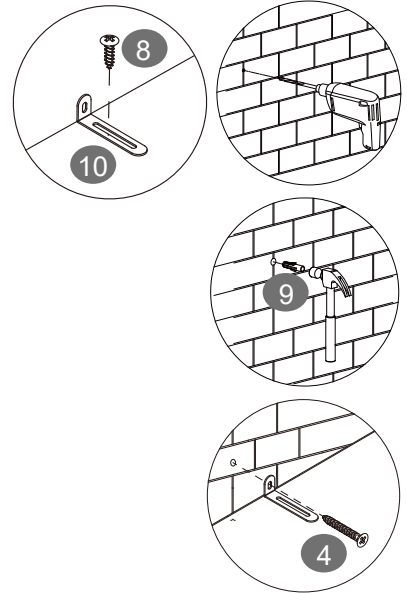
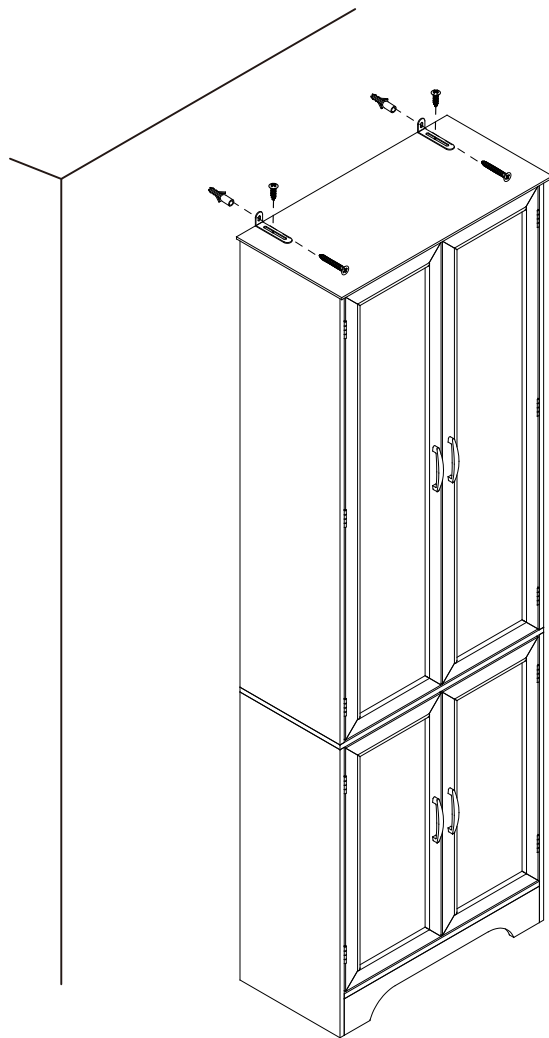


Step 21



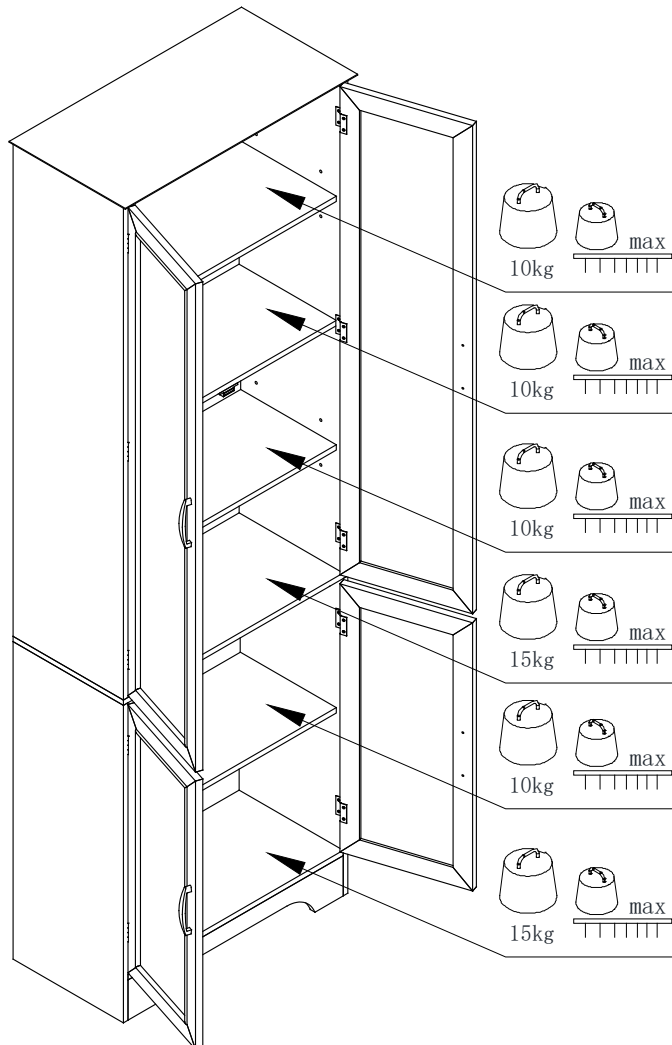
5  X 20

Step 22



4		X 2
8		X 2
9		X 2
10		X 2

Step 23



10kg	max
10kg	max
10kg	max
15kg	max
10kg	max
15kg	max