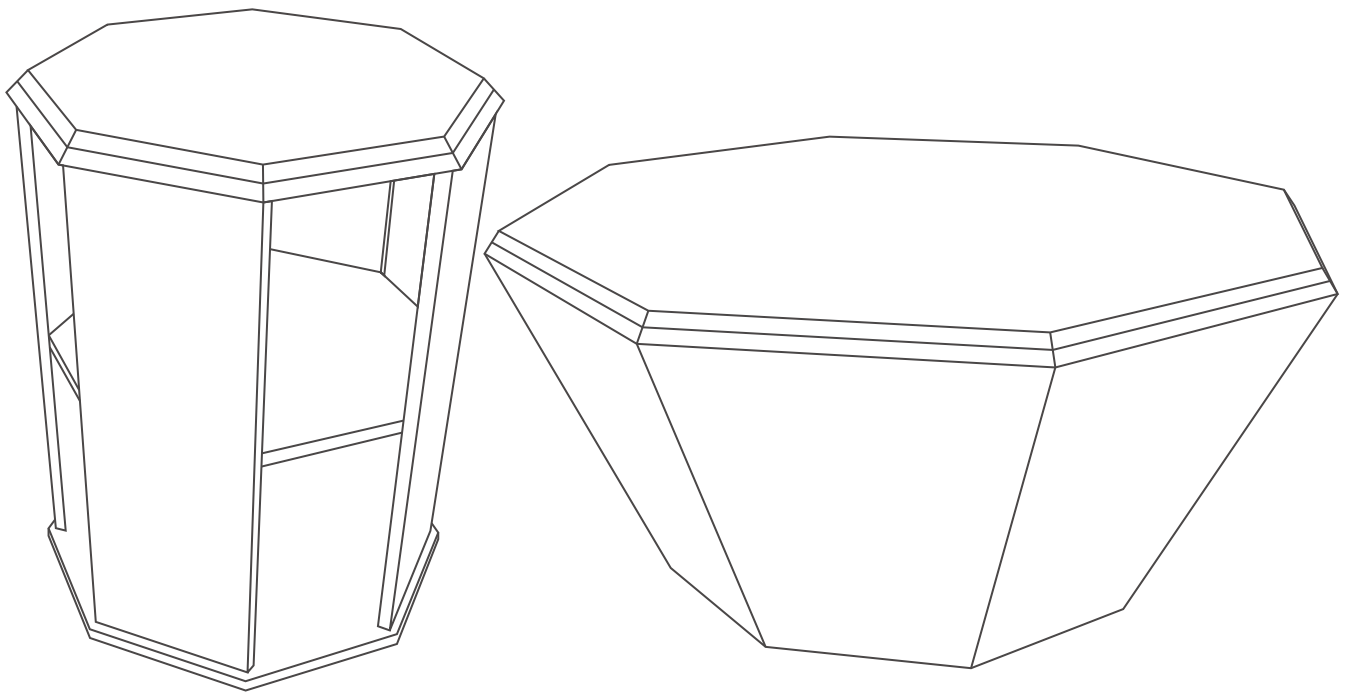


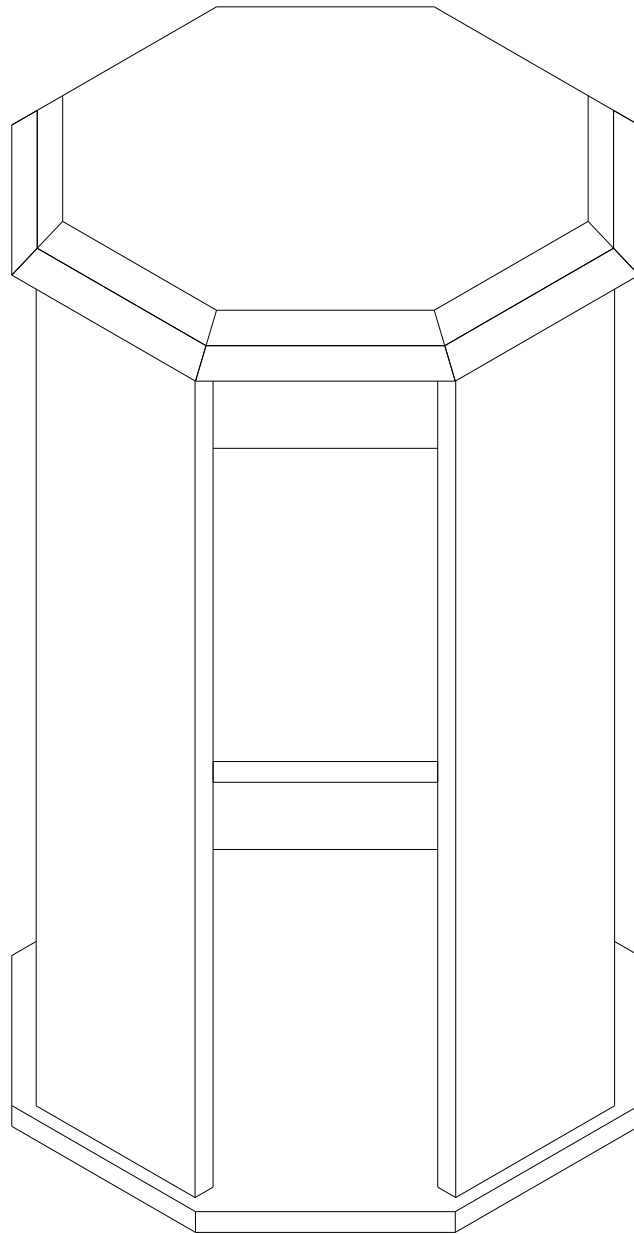
ASSEMBLY INSTRUCTIONS



Explanation of retro design characteristics

1. The wood is natural, so the surface will retain the color of different shades such as cyan, yellow, etc., and during the production process, it may cause a little dark spots and color differences
2. Due to the limit of length, it will inevitably appear during the textile process. Traces of stitching. None of these is a matter of quality! We will minimize these situations in production. v

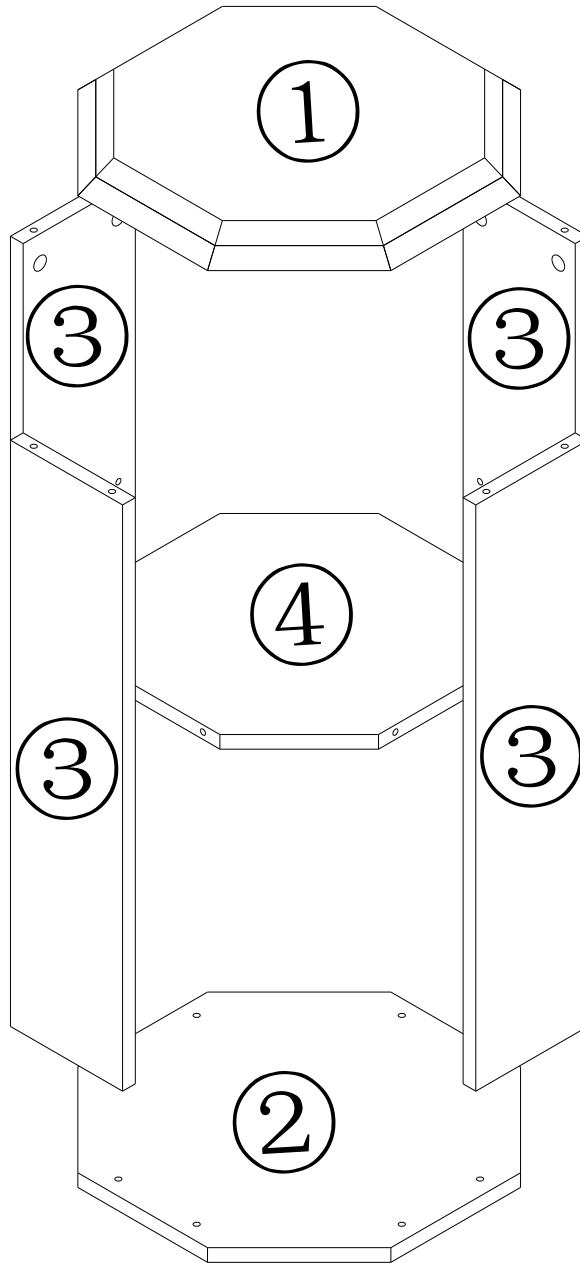
ASSEMBLY INSTRUCTIONS




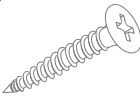


Explanation of retro design characteristics

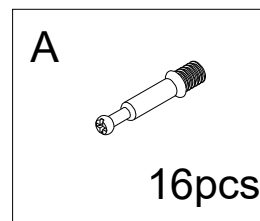
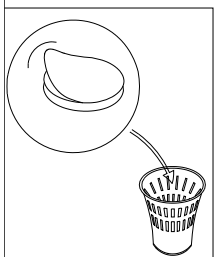
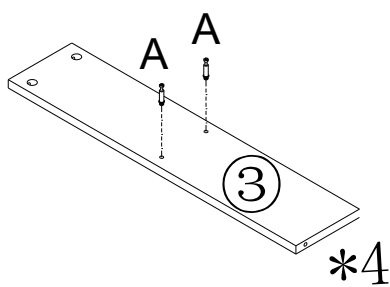
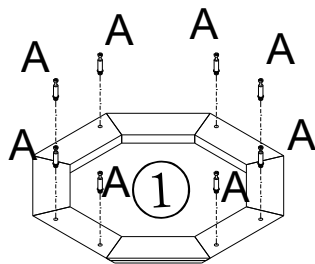
1. The wood is natural, so the surface will retain the color of different shades such as cyan, yellow, etc., and during the production process, it may cause a little dark spots and color differences
2. Due to the limit of length, it will inevitably appear during the textile process. Traces of stitching. None of these is a matter of quality! We will minimize these situations in production. v

Parts List

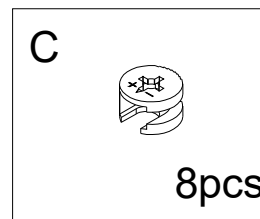
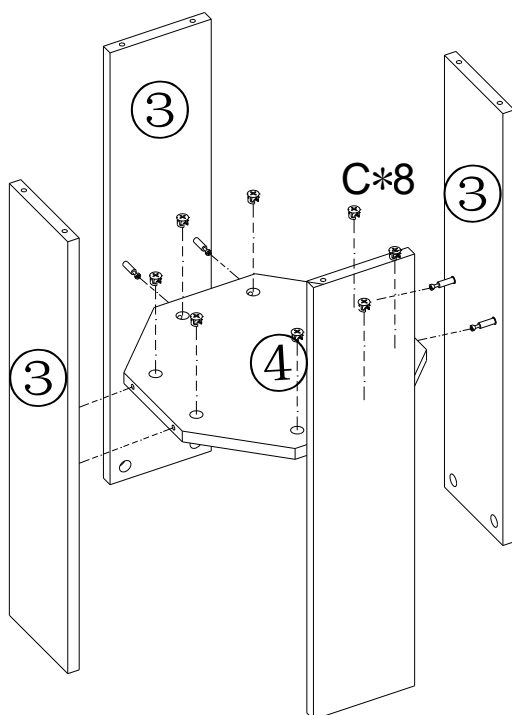
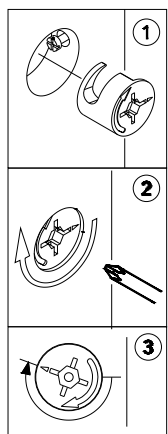


A  16pcs	B  8pcs	C  16pcs	D $\phi 5 \times 40 \text{mm}$  8pcs
---	--	---	---

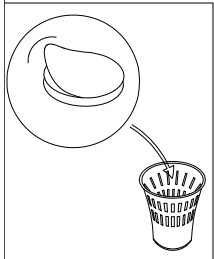
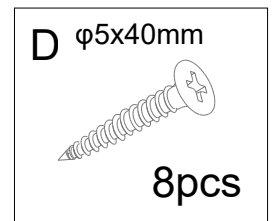
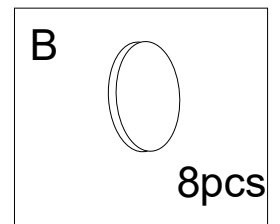
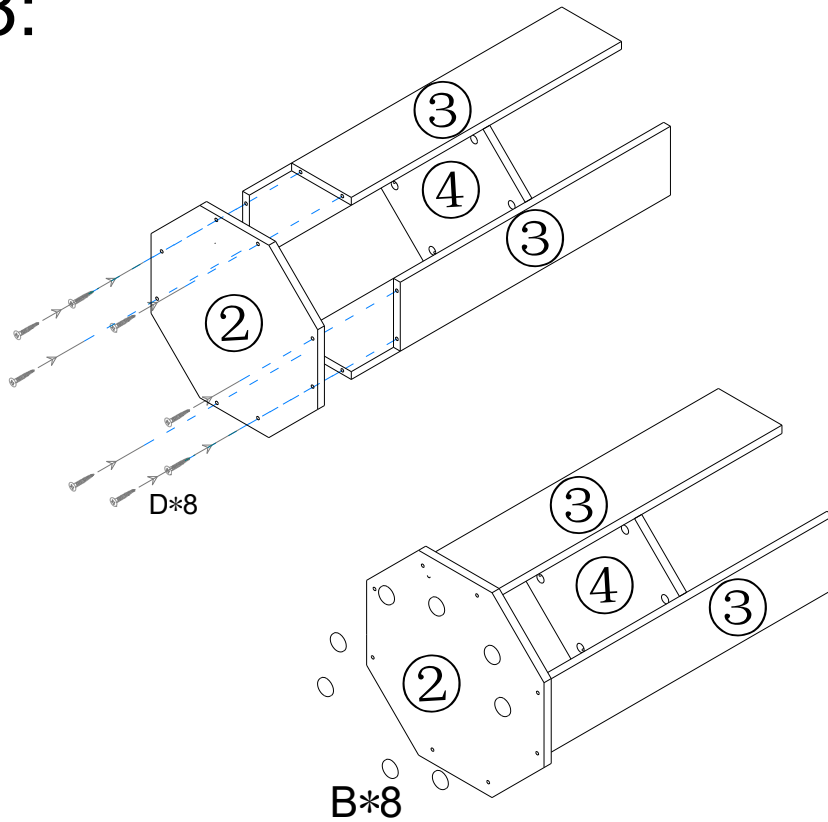
Step 1:



Step 2:



Step 3:



Step 4:

