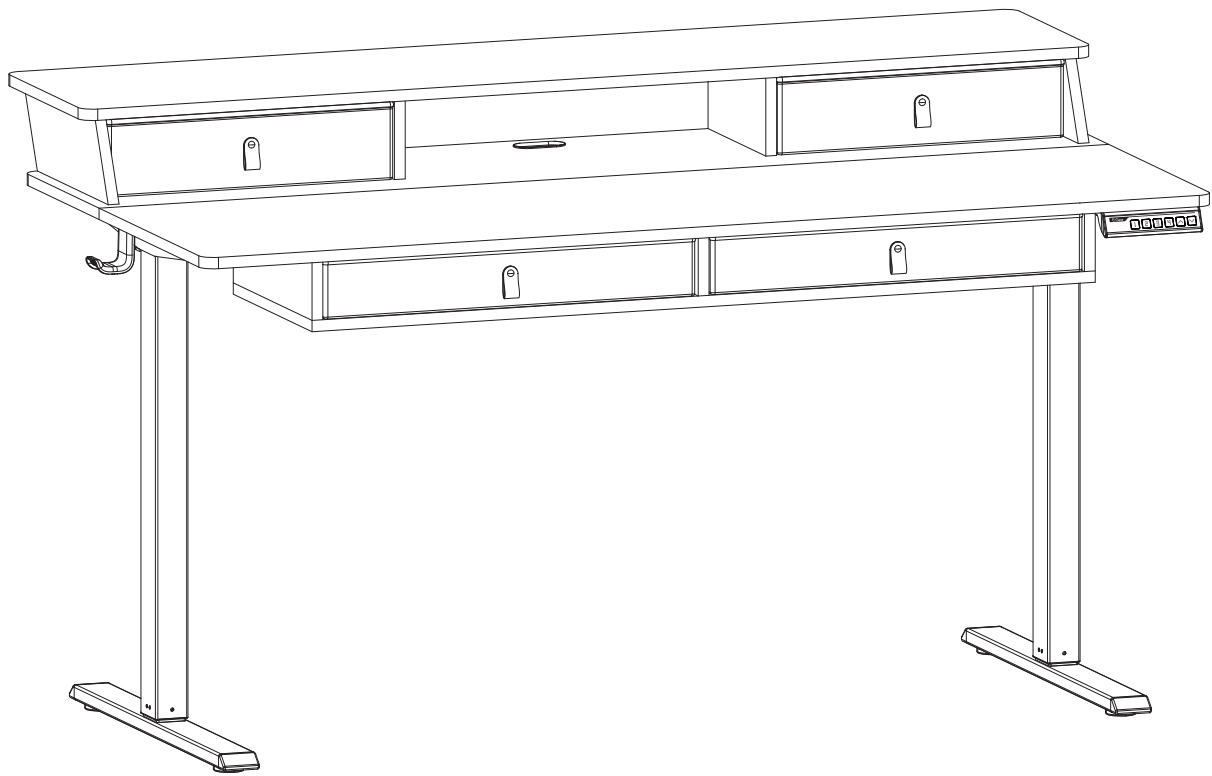


Electric Standing Desk

Instruction Manual



Specifications



Height Adjustment Range
27.9–46.8" (71-119cm)

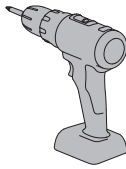


Power Input
100V-240V



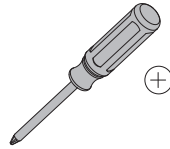
Max. Speed
18mm/s

Tools Needed (Not Included)

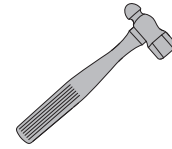


Drill

OR



Phillips Screwdriver

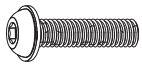


Hammer

Step 1

Supplied Parts and Hardware

A x 9



Bolt
M6 x 30mm

B x 10



Bolt
M6 x 10mm

F x 1



Allen Wrench
5/32" (4mm)

I x 1



Wrench

K1 x 2



Set Screw

K2 x 1



Rod Coupler

01 x 1



Horizontal Crossbar

02 x 1



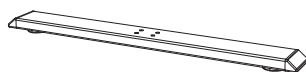
Left Desk Leg

03 x 1



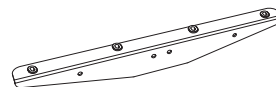
Right Desk Leg

04 x 2



Leg Base

05 x 2



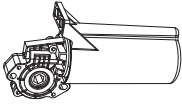
Side Plate

06 x 1



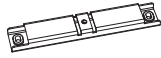
Transmission Rod

07 x 1



Motor

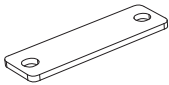
08 x 1



Vertical Crossbar

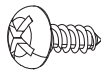
Step 2 Supplied Parts and Hardware

C x 4



Desktop
Panel Connector

D x 8



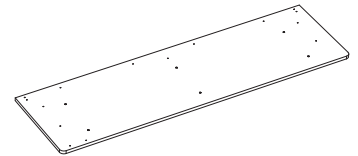
Screw
ST5 x 14mm

G x 6



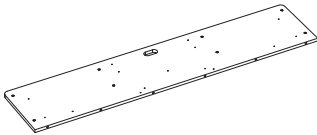
Wood Dowel Pin

09 x 1



Desk Front Panel

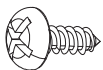
10 x 1



Desk Rear Panel

Step 3 Supplied Parts and Hardware

D x 6



Screw
ST5 x 14mm

G x 2



Wood Dowel Pin

L1 x 6



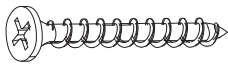
Cam Bolt

L2 x 6



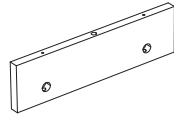
Cam Lock

M x 6



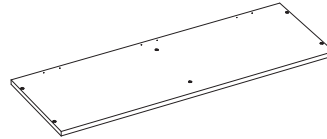
Screw
ST4 x 35mm

11 x 3



Bottom Drawer
Side Panel

12 x 1



Bottom Drawer Panel

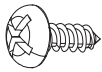
13 x 3



Drawer Backstop

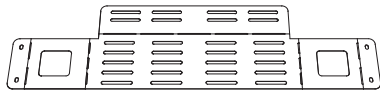
Step 4 Supplied Parts and Hardware

D x 22



Screw
ST5 x 14mm

14 x 1



Cable Management Tray

15 x 2



Storage Hook

16 x 1



Controller

Step 5 Supplied Parts and Hardware

H x 4



Cable Clip

17 x 1



Power Cable

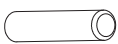
18 x 1



Grommet

Step 6 Supplied Parts and Hardware

G x 10



Wood Dowel Pin

L1 x 4



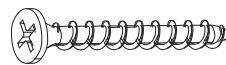
Cam Bolt

L2 x 4



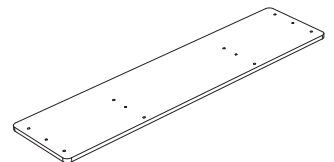
Cam Lock

M x 8



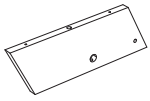
Screw
ST4 x 35mm

19 x 1



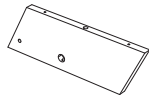
Top Drawer Panel

20 x 1



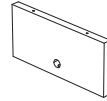
Top Drawer Side Panel
(R)

21 x 1



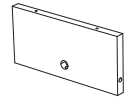
Top Drawer Side Panel
(L)

22 x 1



Top Drawer Side Panel
(R)

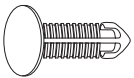
23 x 1



Top Drawer Side Panel
(L)

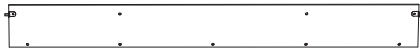
Step 7 Supplied Parts and Hardware

N x 7



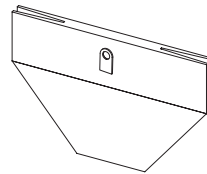
Plastic Rivet

24 x 1



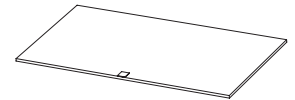
Felt Backstop

25a x 2



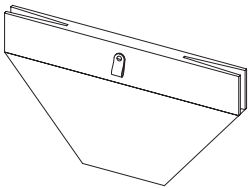
Small Fabric Drawer

25b x 2



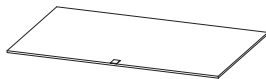
Small Drawer Bottom

26a x 2



Large Fabric Drawer

26b x 2



Large Drawer Bottom

Not all hardware included in this package will be used.

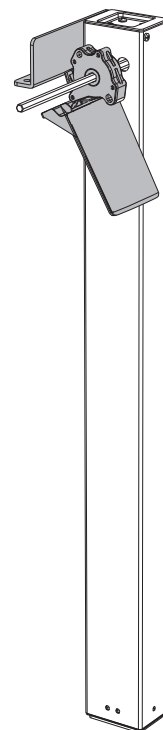
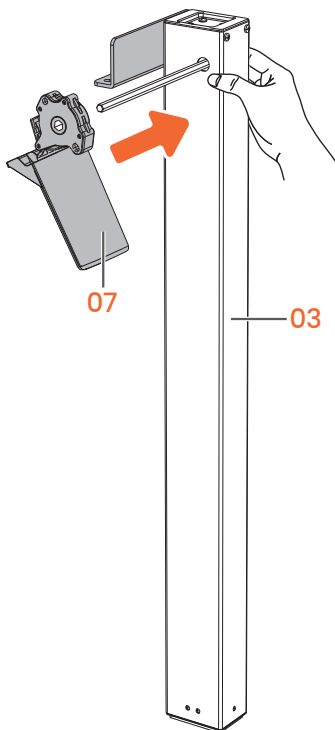
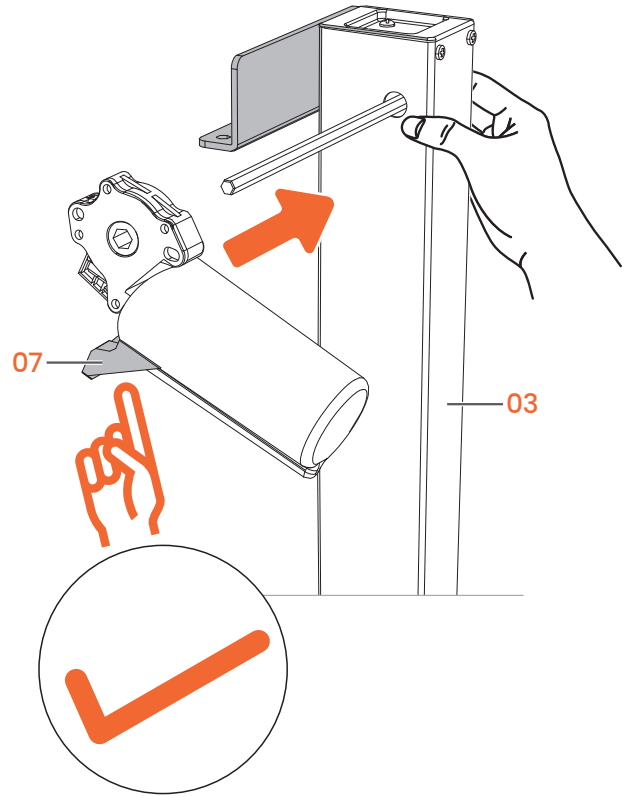
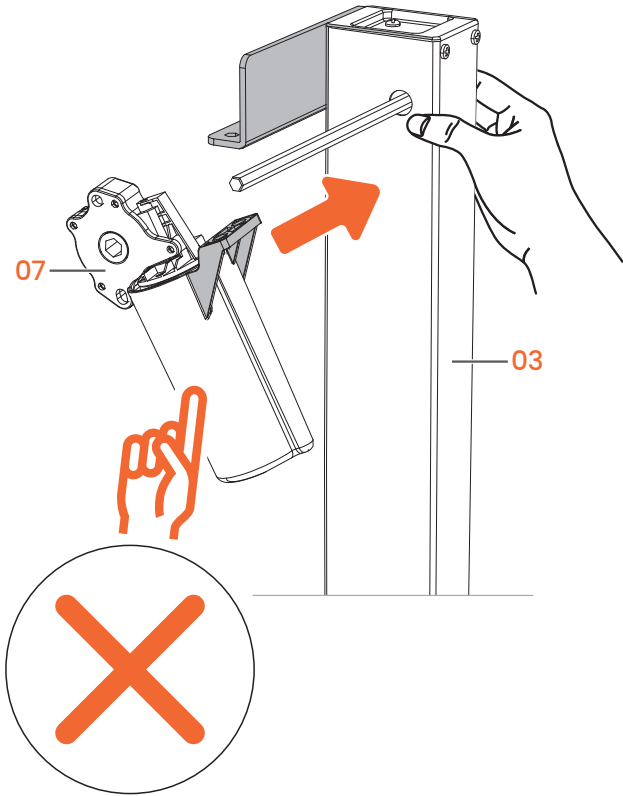
Contact Us

If you receive parts that are damaged, defective, or are missing parts, please contact us.

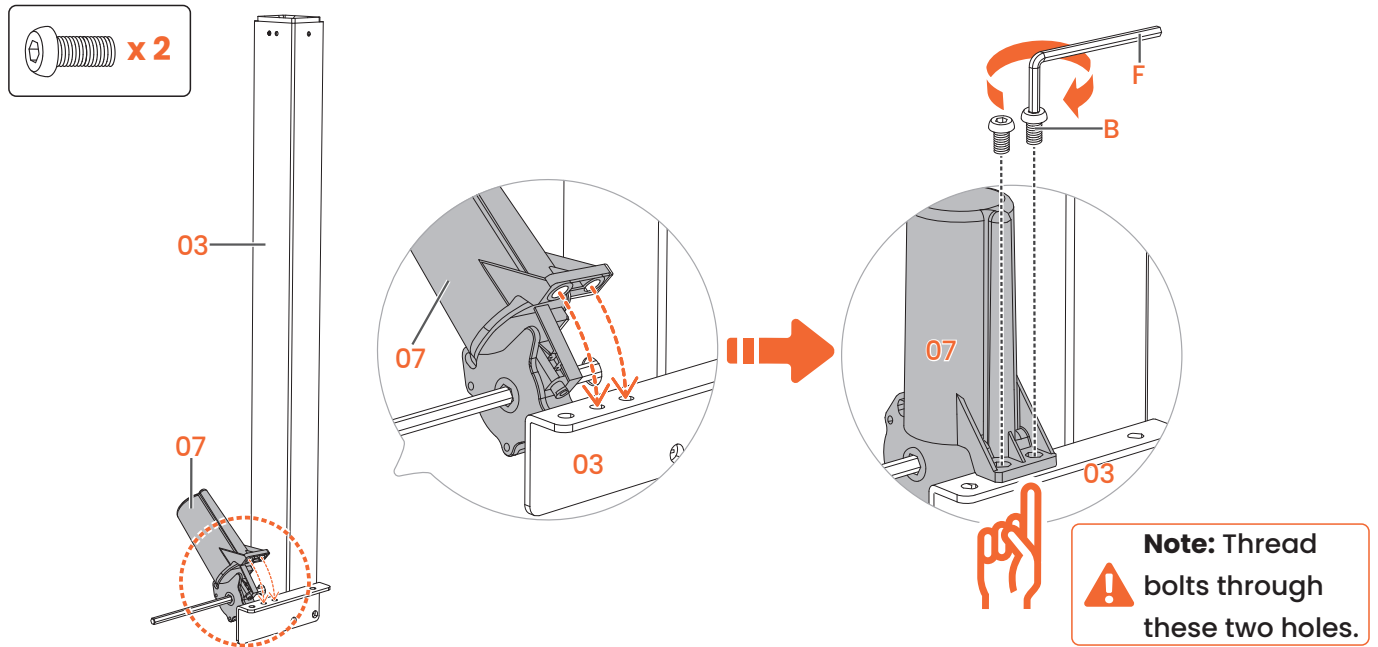
Step 1

Assembling the Frame

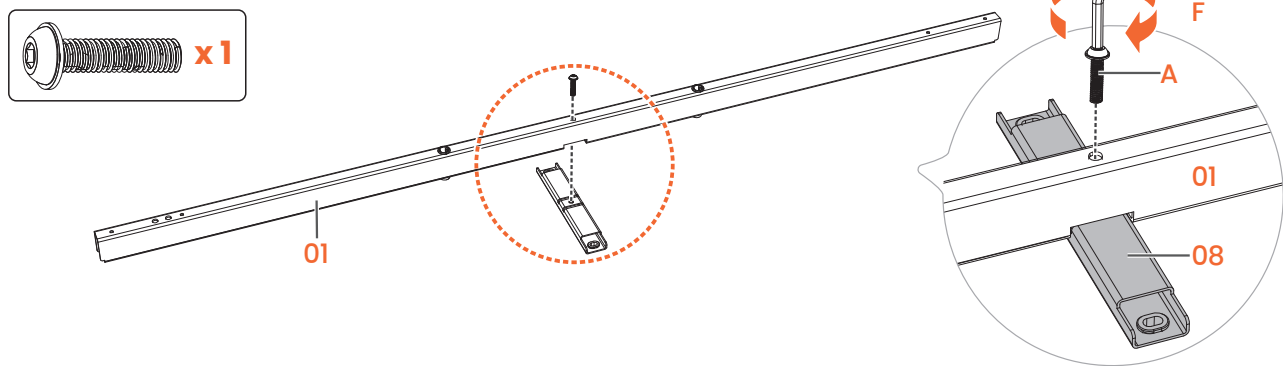
Attach the motor.



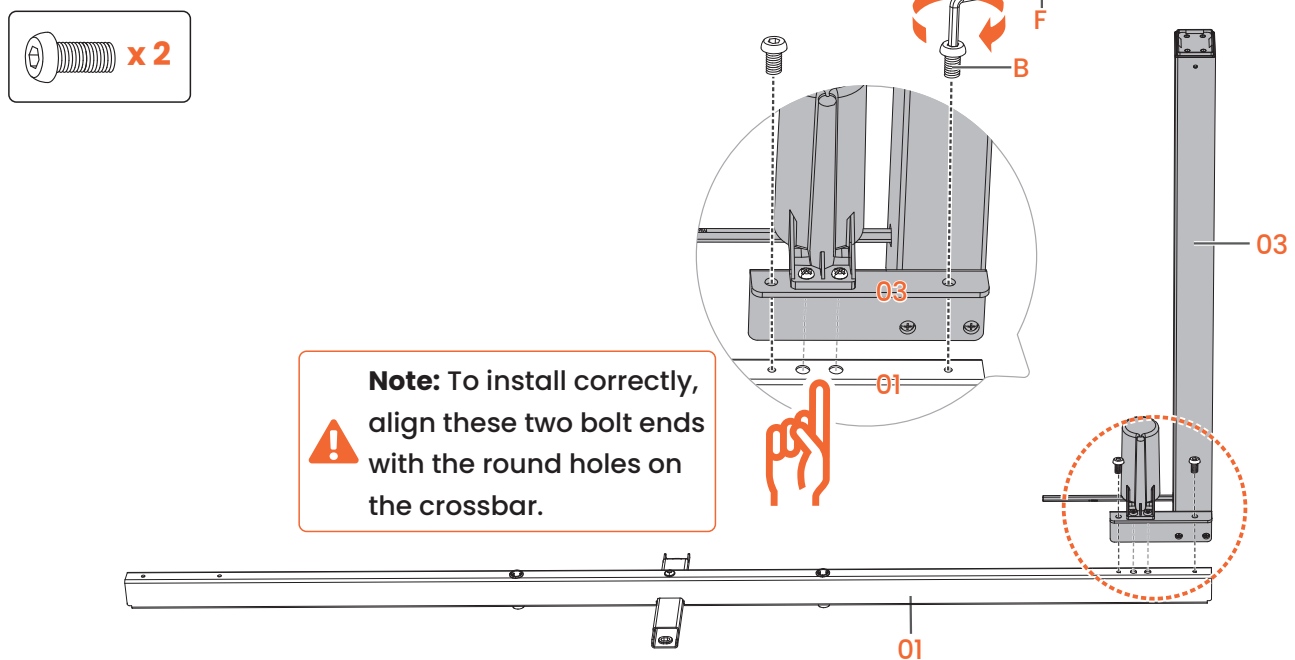
Secure the motor.



Connect the vertical and horizontal crossbars.



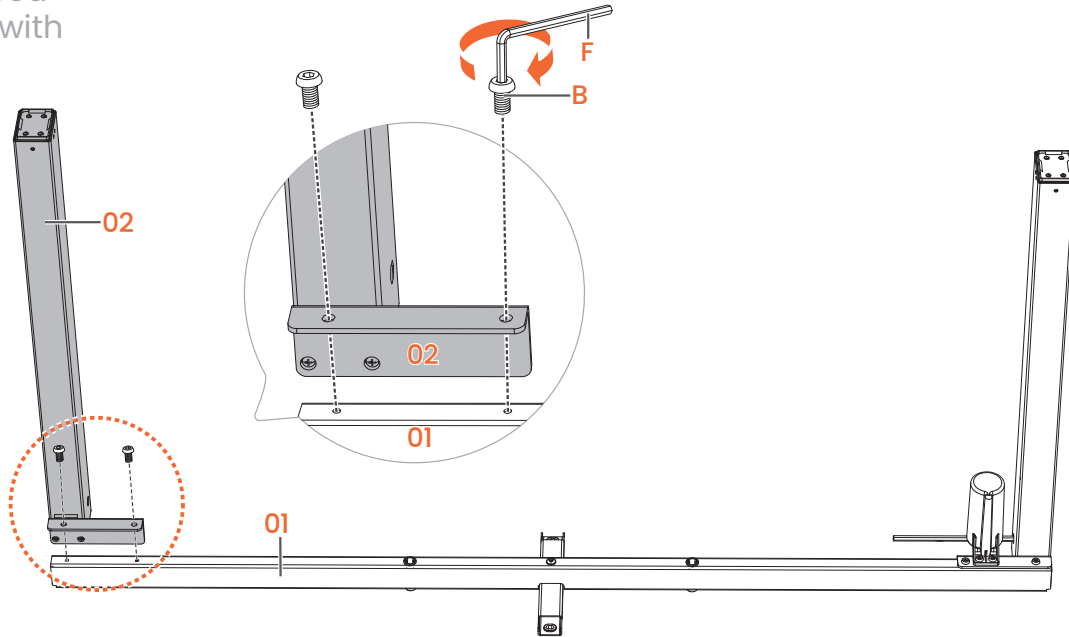
Attach the right leg to the crossbar.



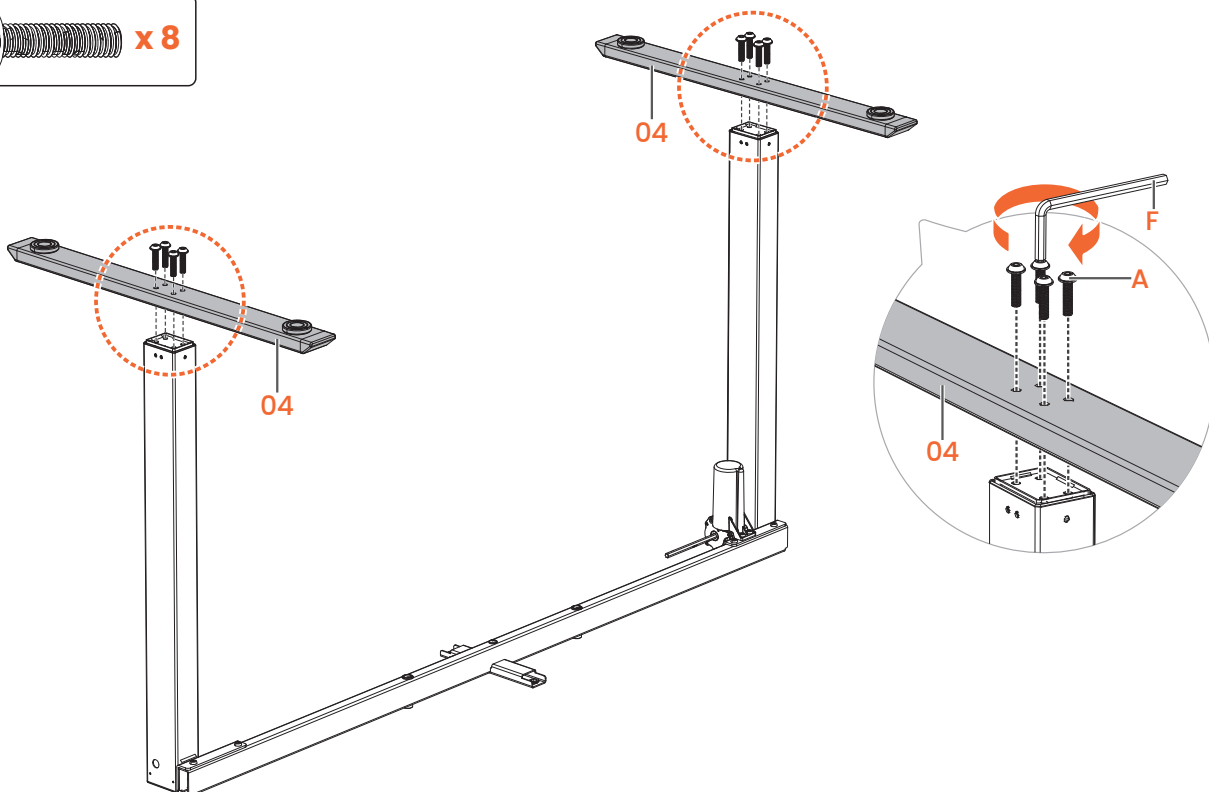
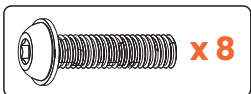
Attach the left leg.



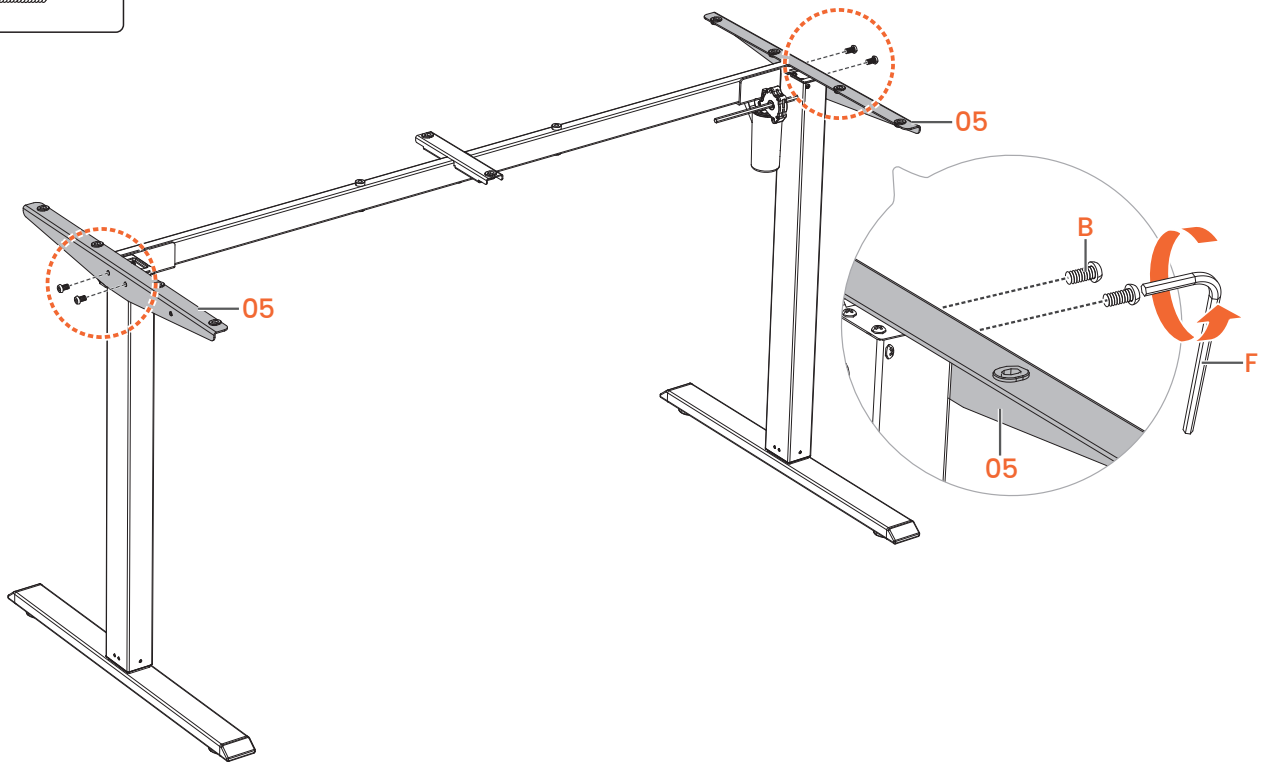
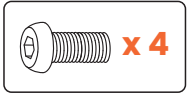
You may need assistance with this step.



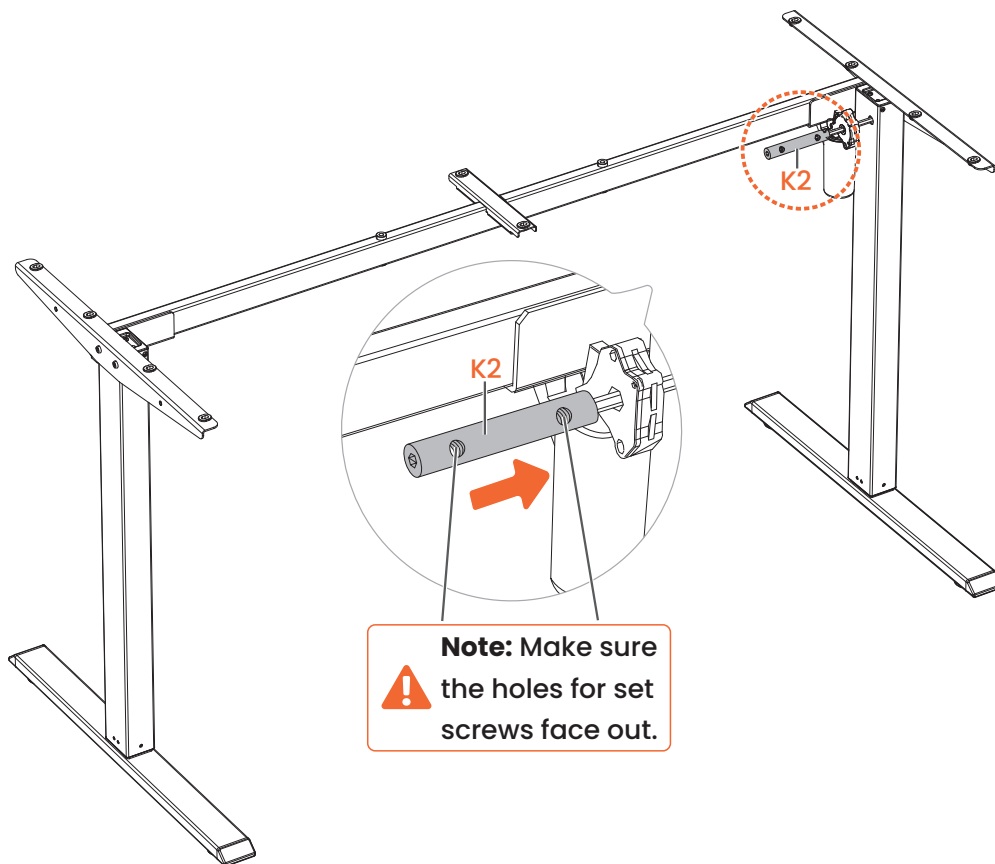
Attach the leg bases.



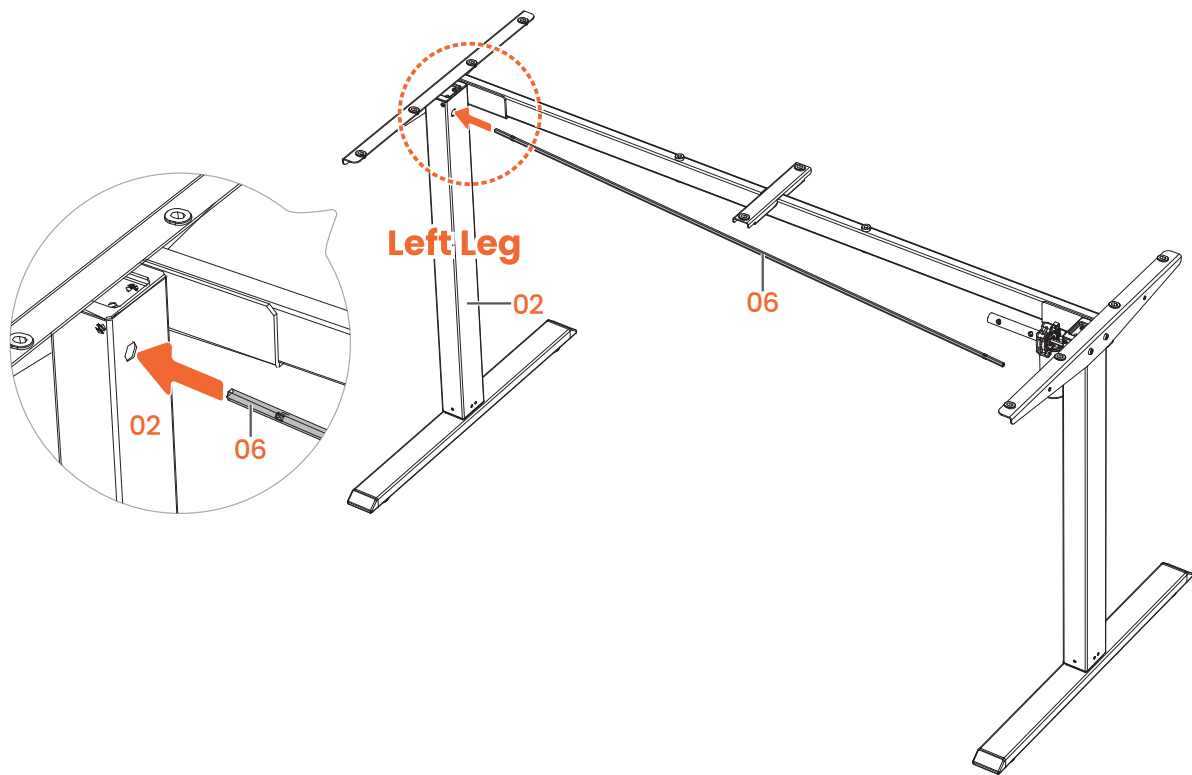
Attach the side plates.



Slide the rod coupler onto the end of the motor drive shaft on the right leg.

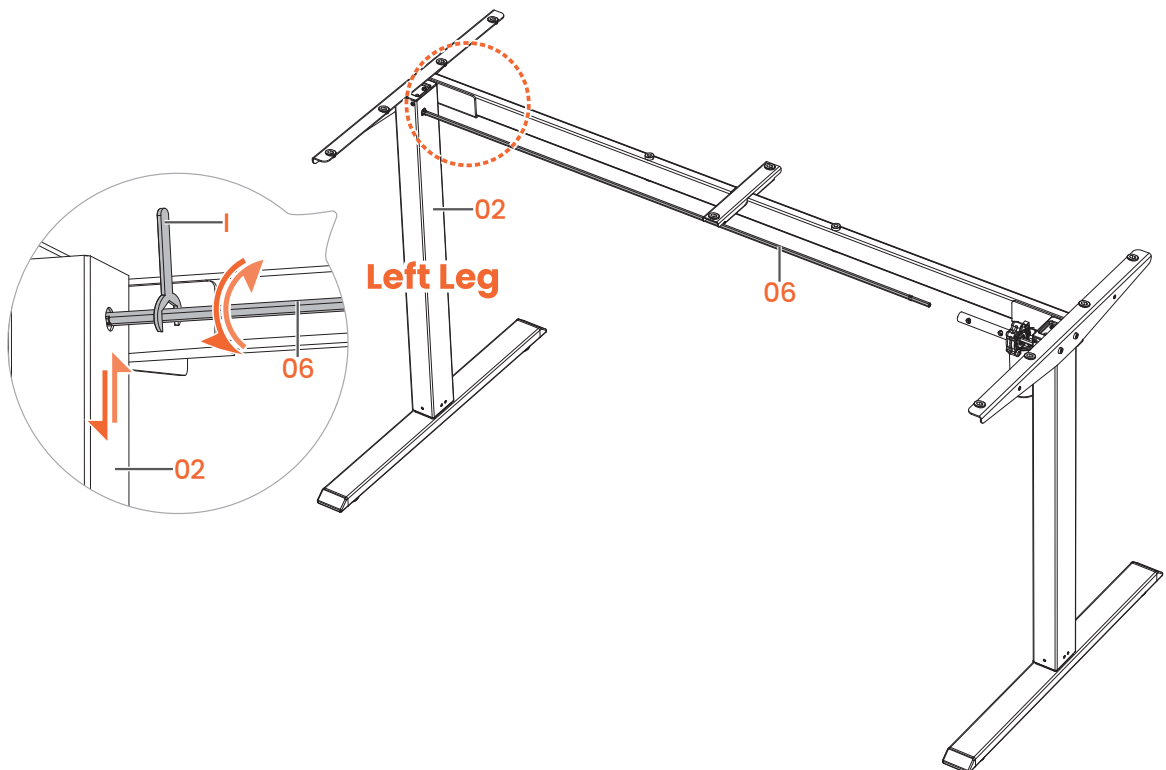


Fully insert the transmission rod into the left leg.

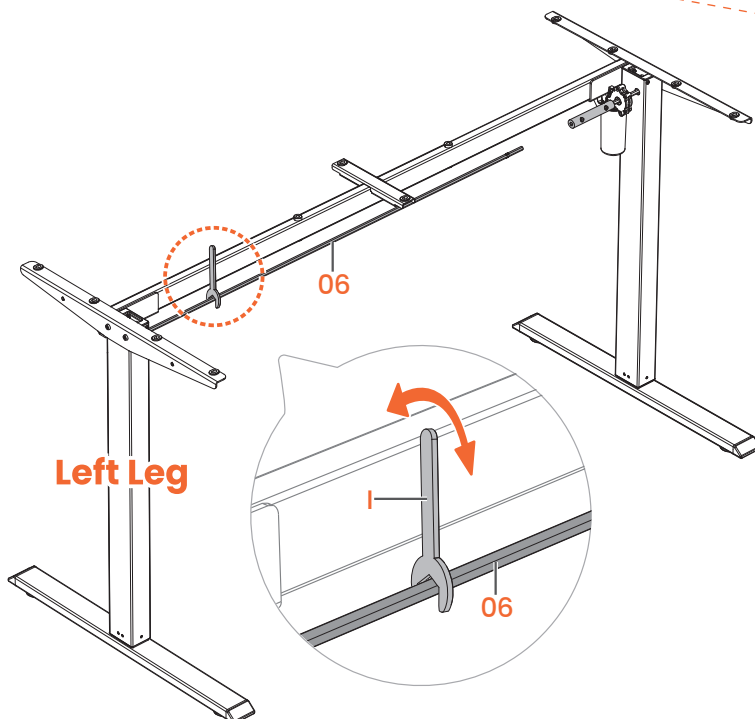
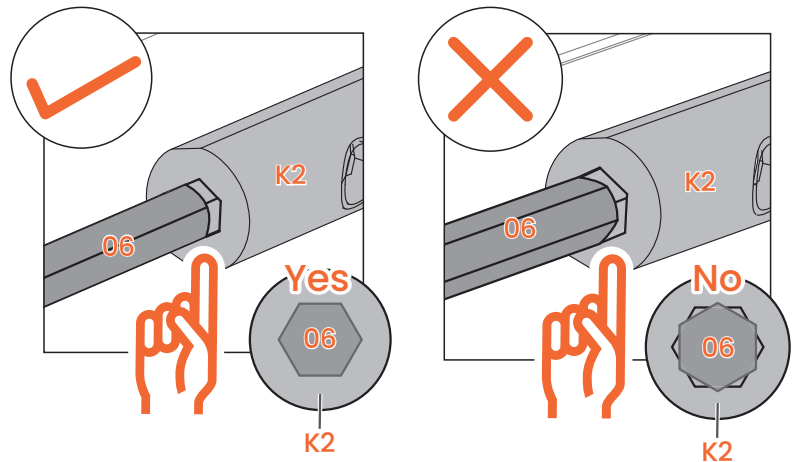
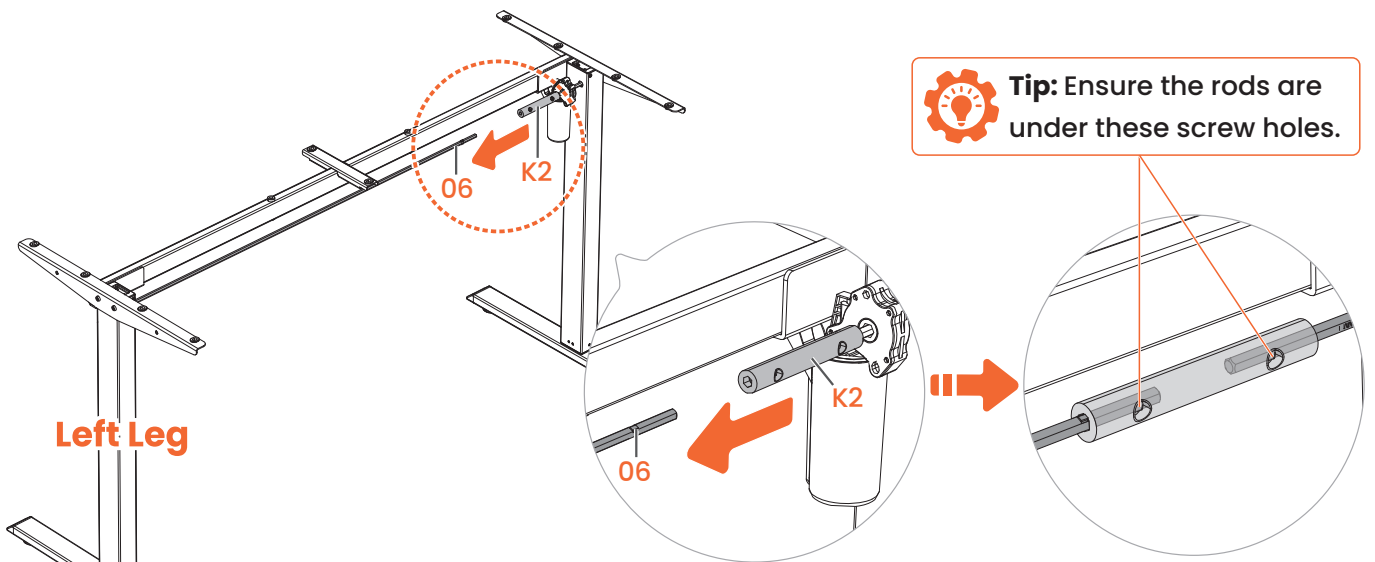


Adjust uneven desk legs if needed:

Measure the heights of the two desk legs to see if they are set at the same level. If not, using the wrench, turn the rod to adjust the left leg until it's level with the right leg. Turn the rod clockwise to raise the left leg or counter-clockwise to lower it.



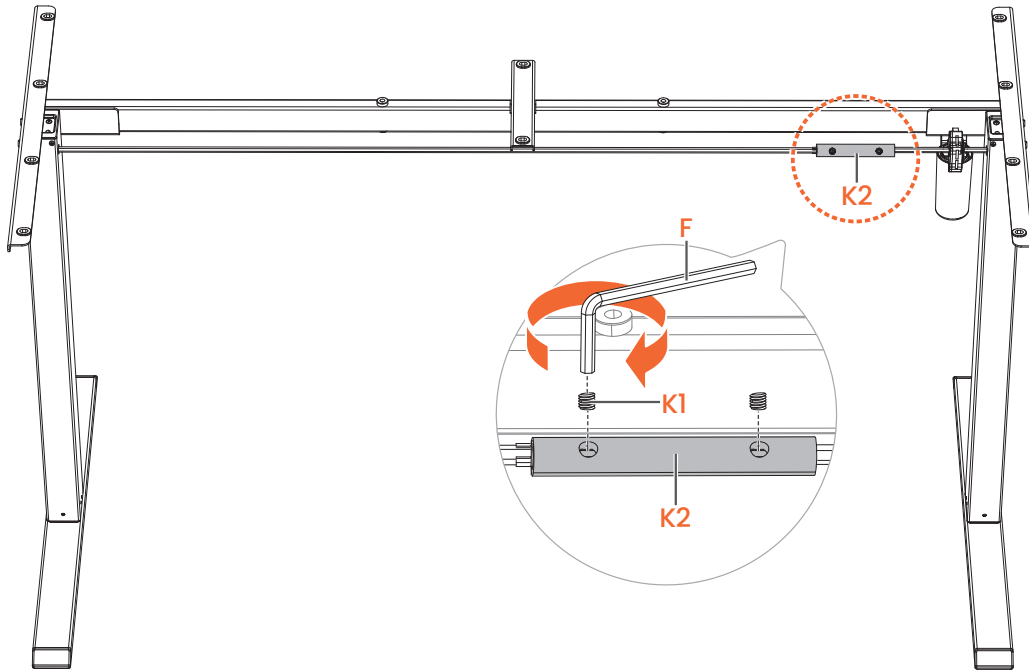
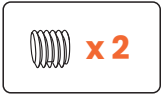
Slide the rod coupler to the left to connect with the other end of the rod.



Adjust the transmission rod if needed:

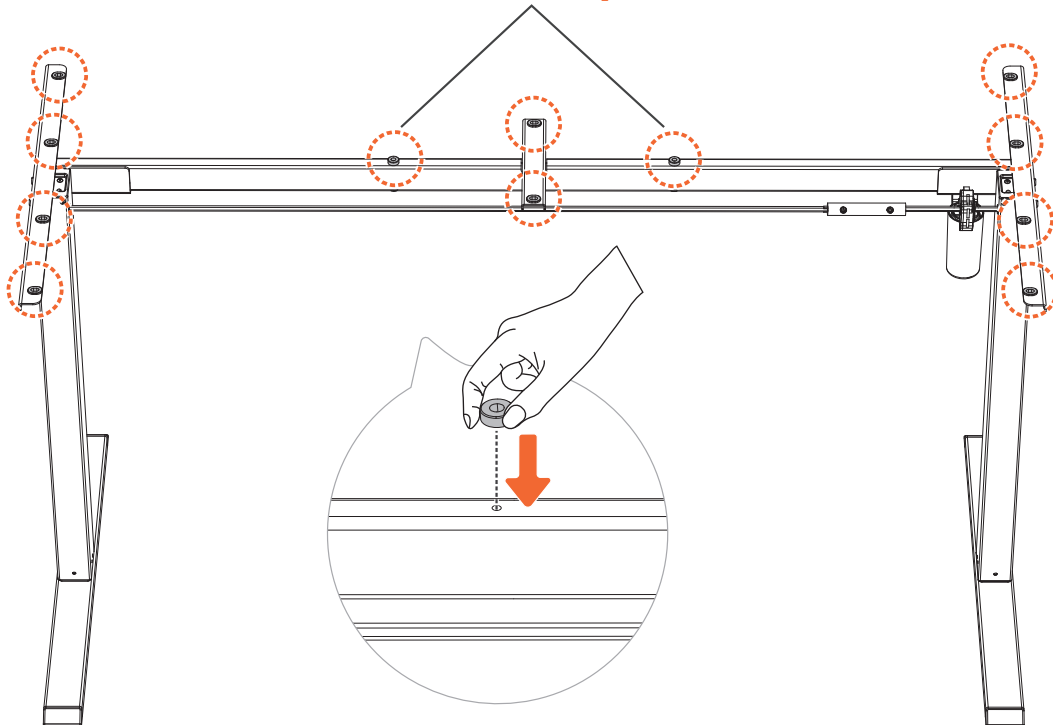
If the transmission rod doesn't fit smoothly into the rod coupler, use the wrench to fine-tune the position, then try again.

Use the set screws to secure the rod coupler.



Ensure the rubber pads are attached to the frame. If any have fallen off, reattach them or use the spare rubber pads.

Tall rubber pads




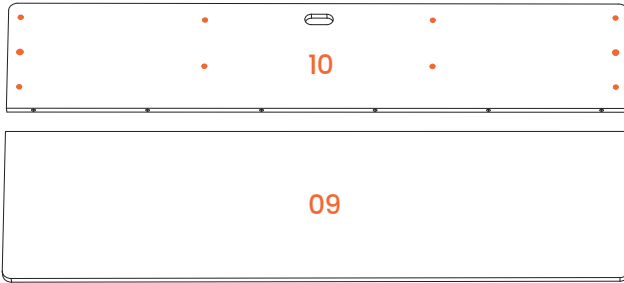
Step 2 Assembling the Desktop

For 55" long desk, go to Option A on this page.
For 63" long desk, go to Option B on next page.

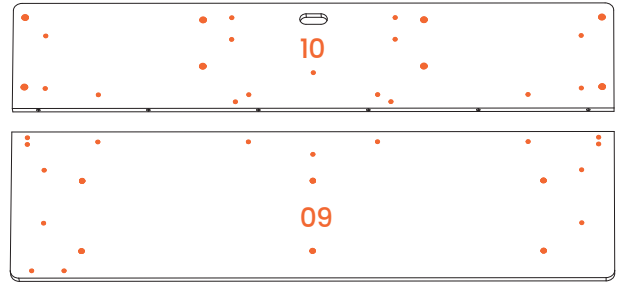
Option A: 55" long desk



Tip:  indicate pre-drilled hole locations.

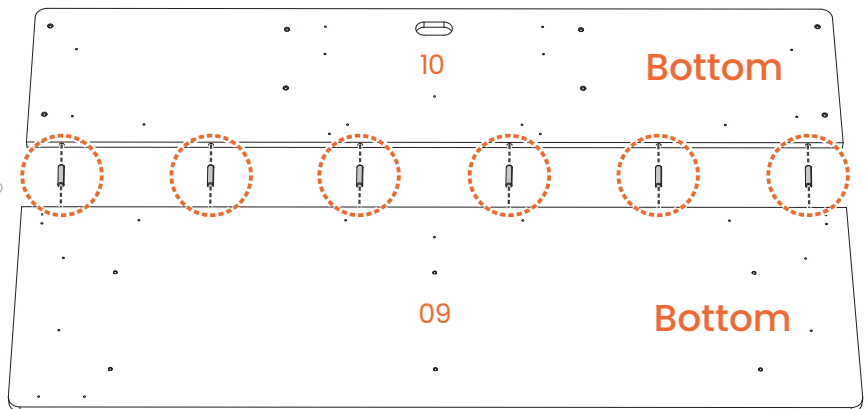
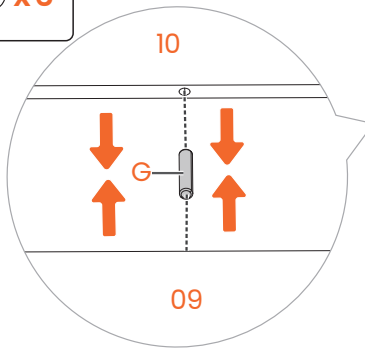


Top



Bottom

Assemble the desktop with the bottom of the panels facing up.

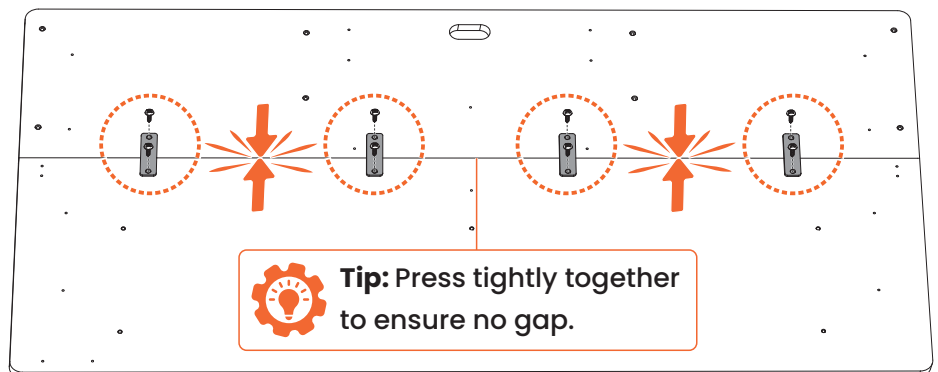
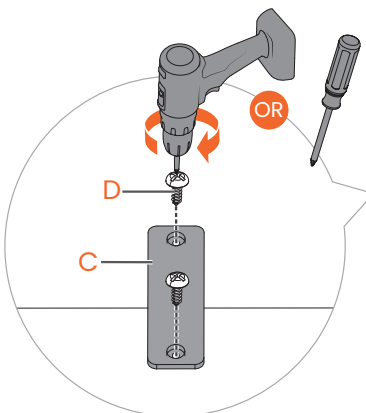


Secure the desk panels with the connectors.



Drill with suitable torque and speed  OR 

not included

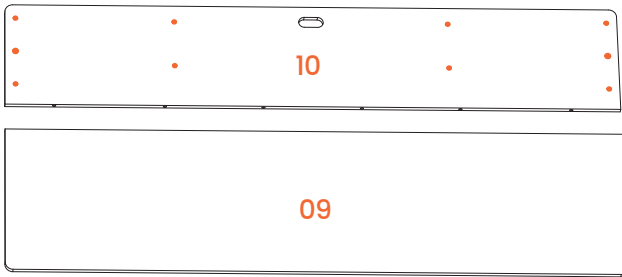


Tip: Press tightly together to ensure no gap.

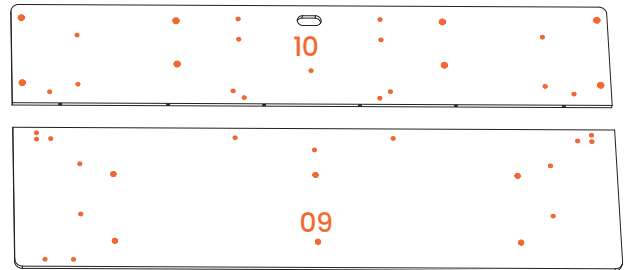
 Go to Page 15

Option B: 63" long desk

 **Tip:**  indicate pre-drilled hole locations.

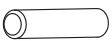


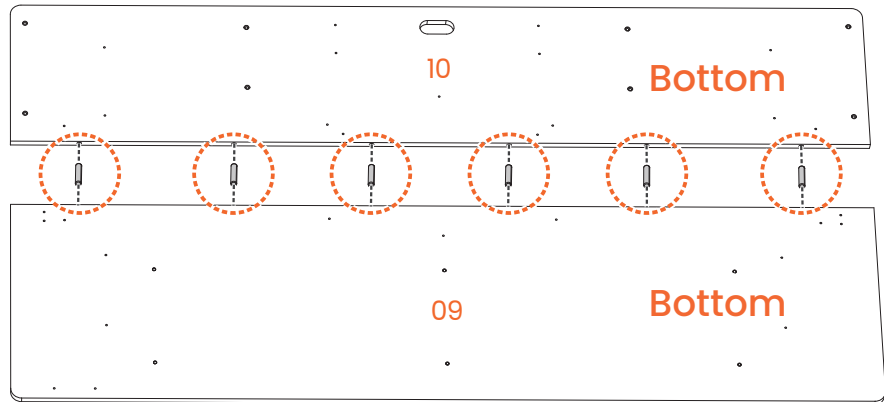
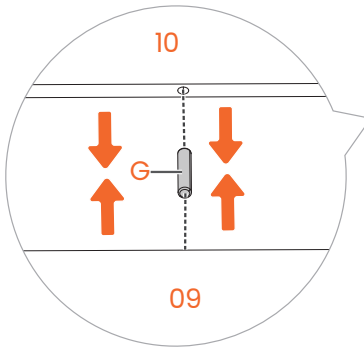
Top



Bottom



Assemble the desktop with the bottom of the panels facing up.

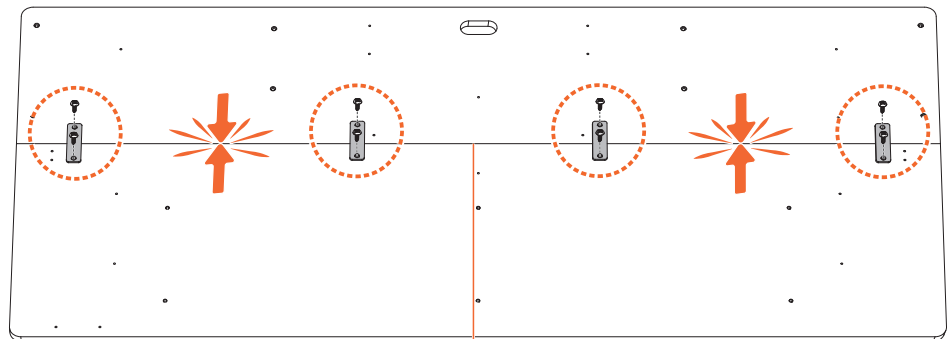
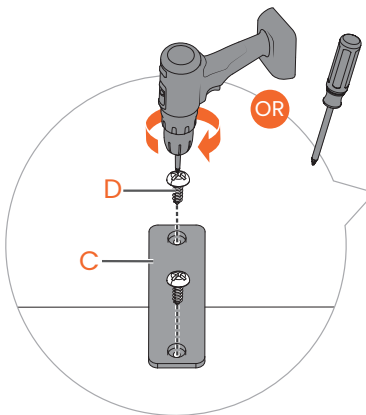
 x6




Secure the desk panels with the connectors.

 x8

Drill with suitable torque and speed  OR  **not included**

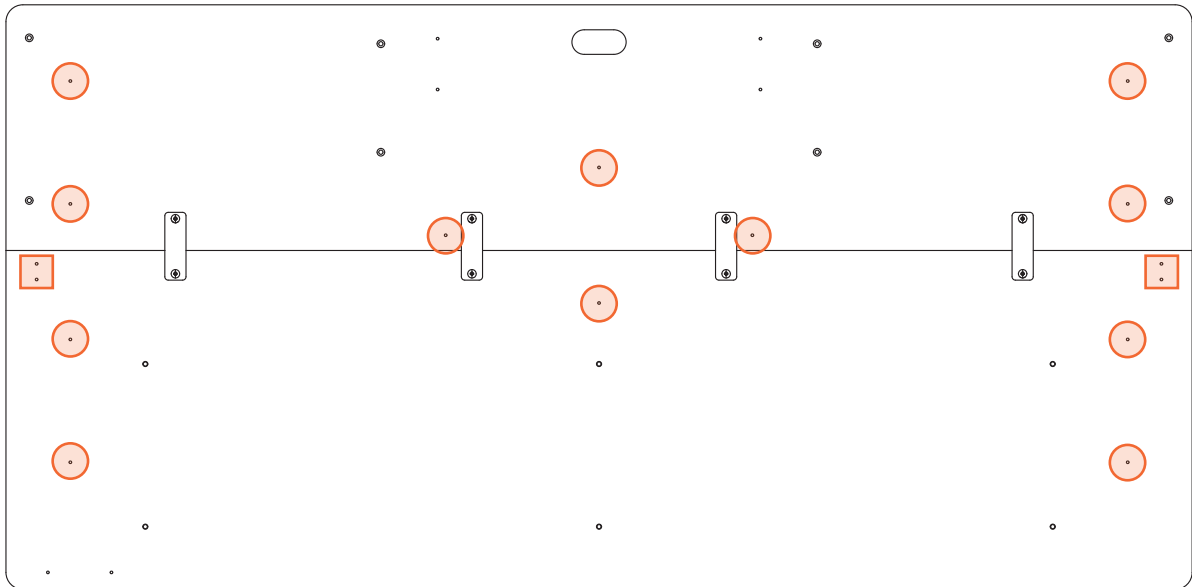


 **Tip:** Press tightly together to ensure no gap.

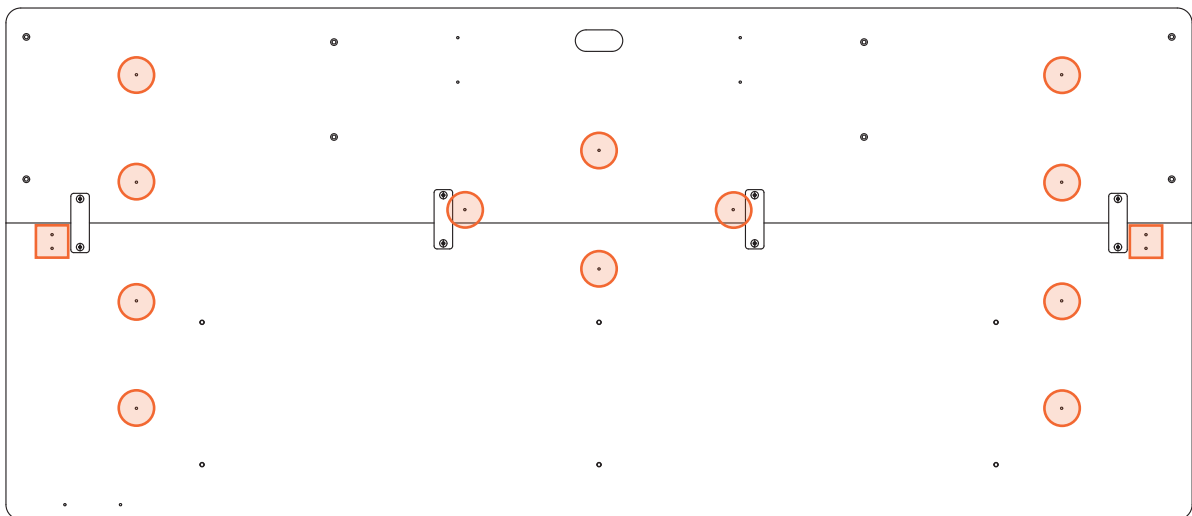


Tip: ○ indicate pre-drilled holes for attaching the frame.
□ indicate pre-drilled holes for attaching the storage hooks.

For 55" long desk



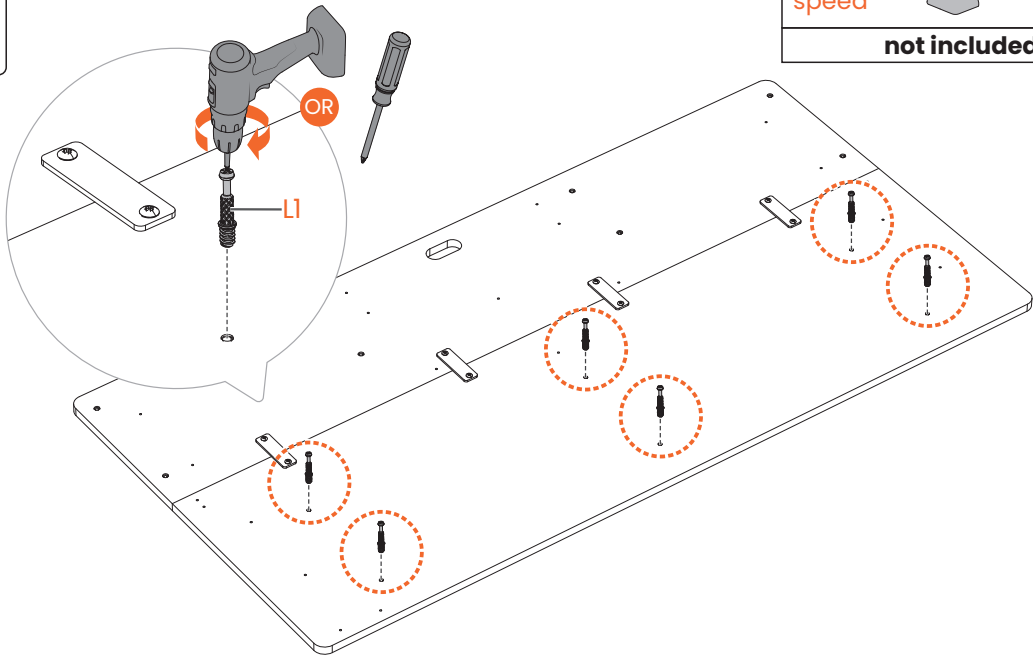
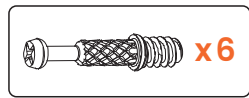
For 63" long desk



Note: Some pre-drilled hole locations may vary between desks of different sizes. The illustrations demonstrate assembly steps using one desk size, but should remain similar for each installation process.

Step 3 Attaching the Bottom Drawer Panels

Screw the cam bolts into the assembled desktop.

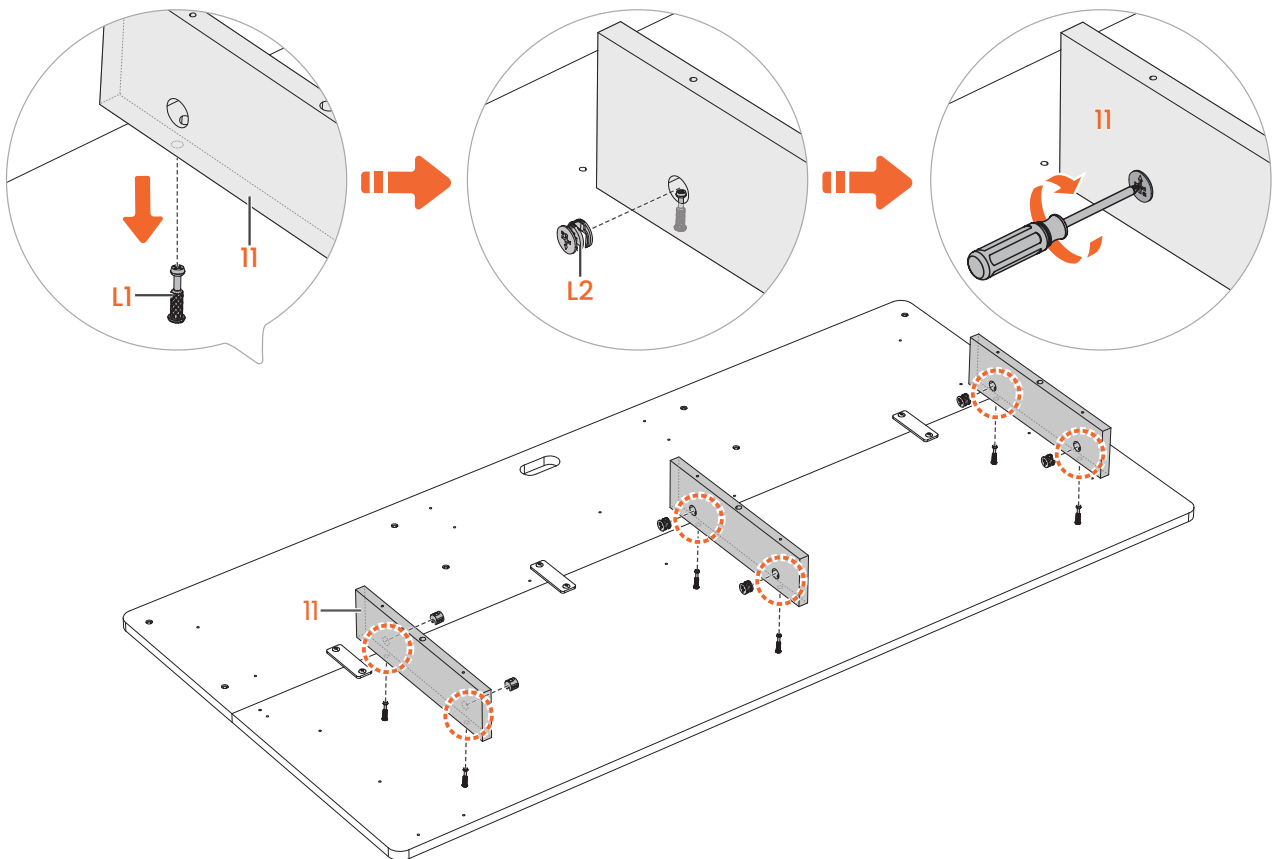


Drill with
suitable
torque and
speed

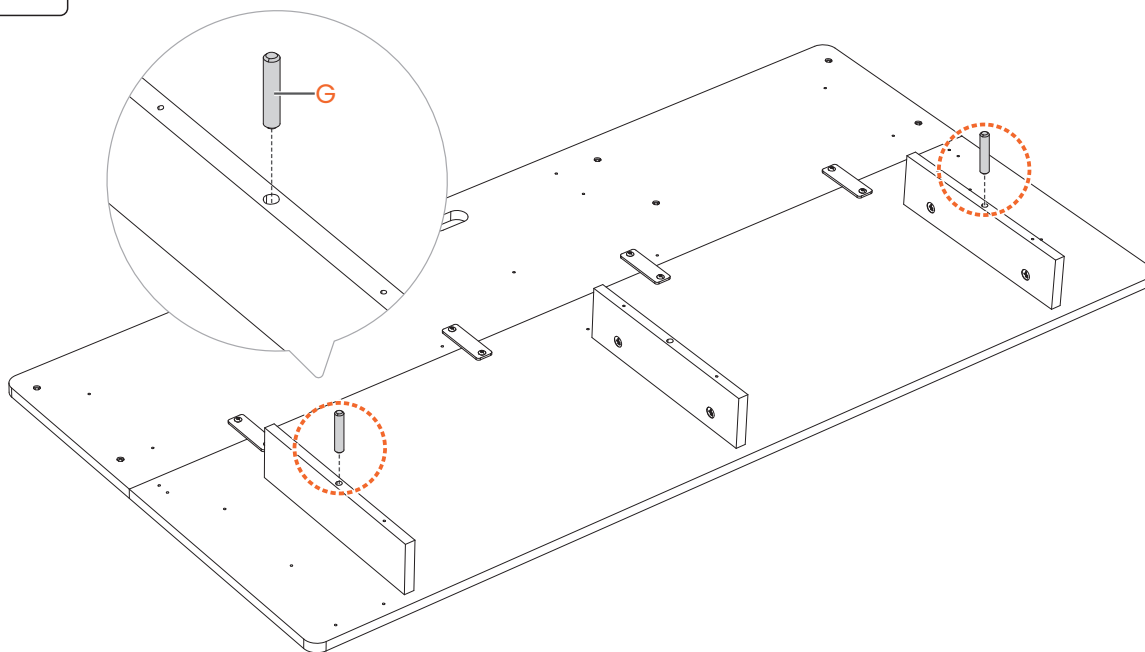
OR

not included

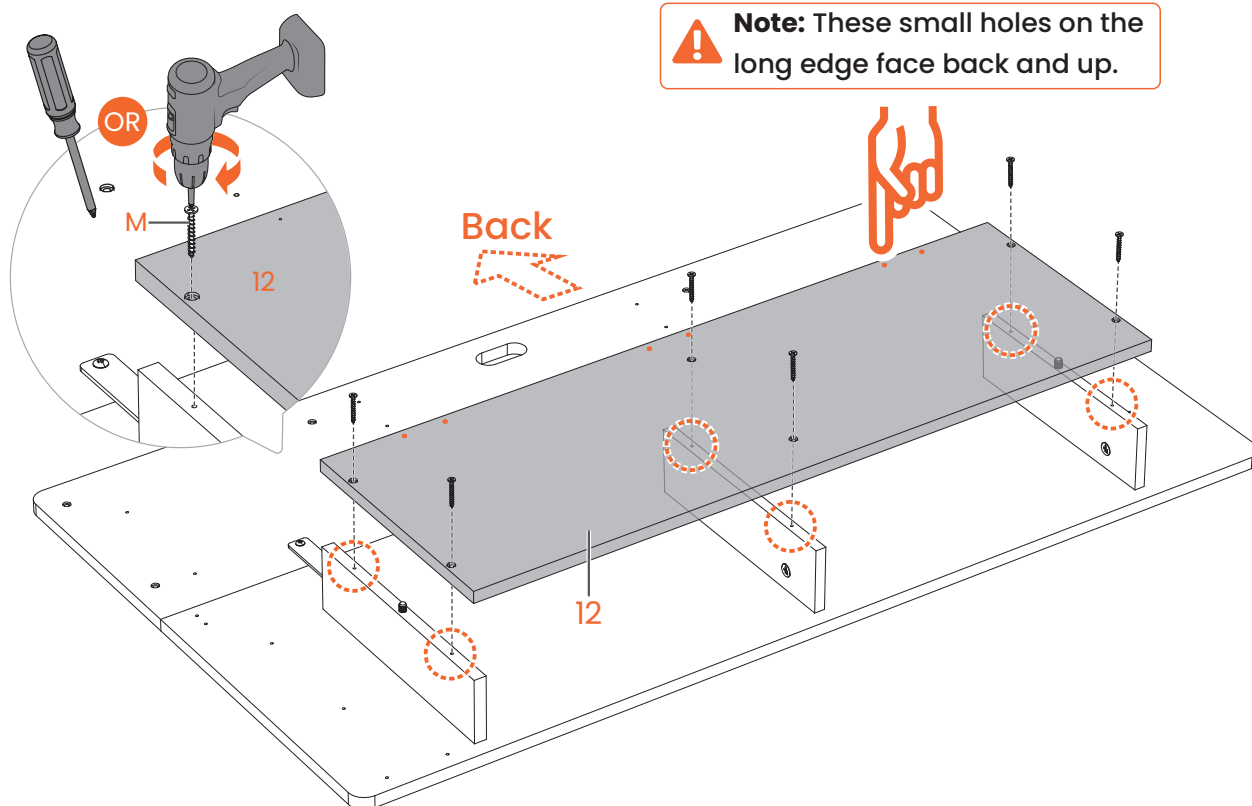
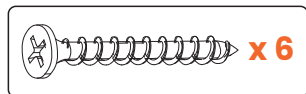
Attach the bottom drawer side panels as indicated below.



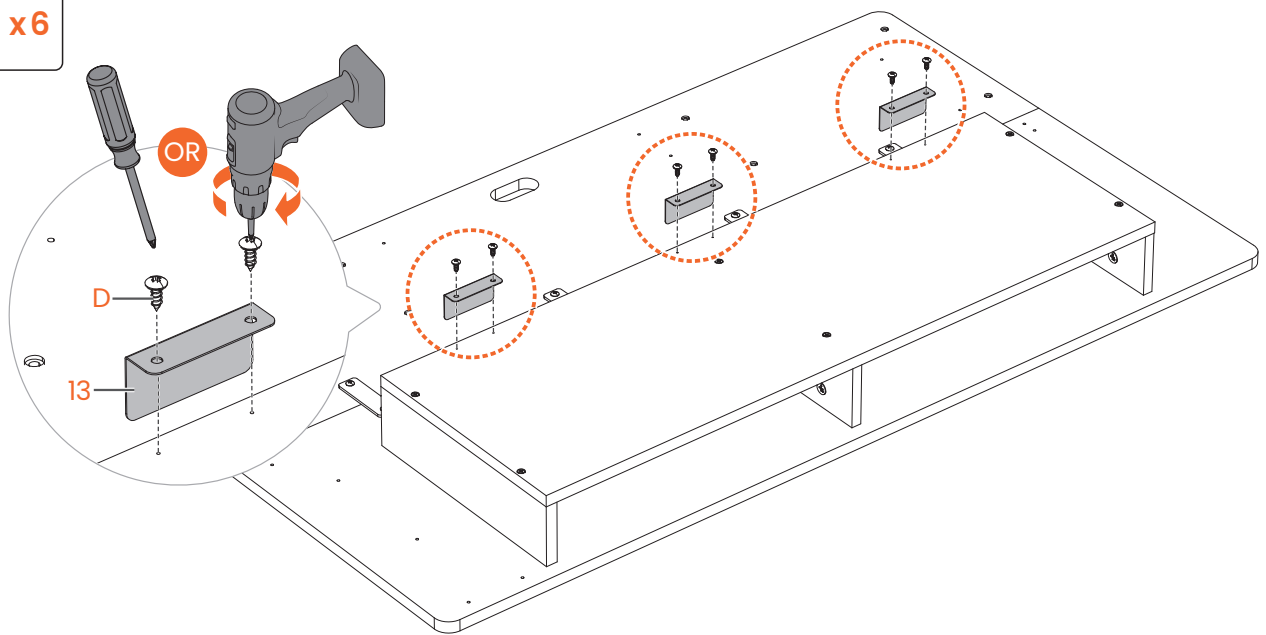
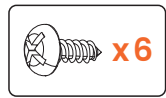
Push the wood dowel pins into the side panels.



Attach the bottom drawer panel.

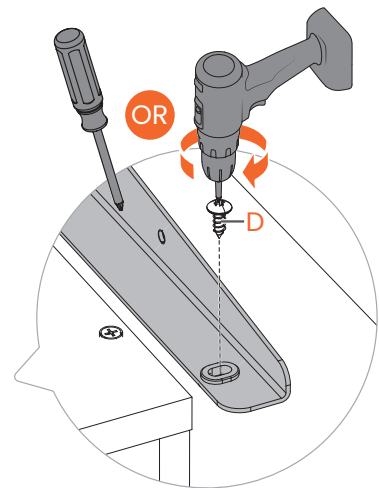
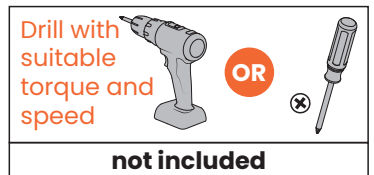
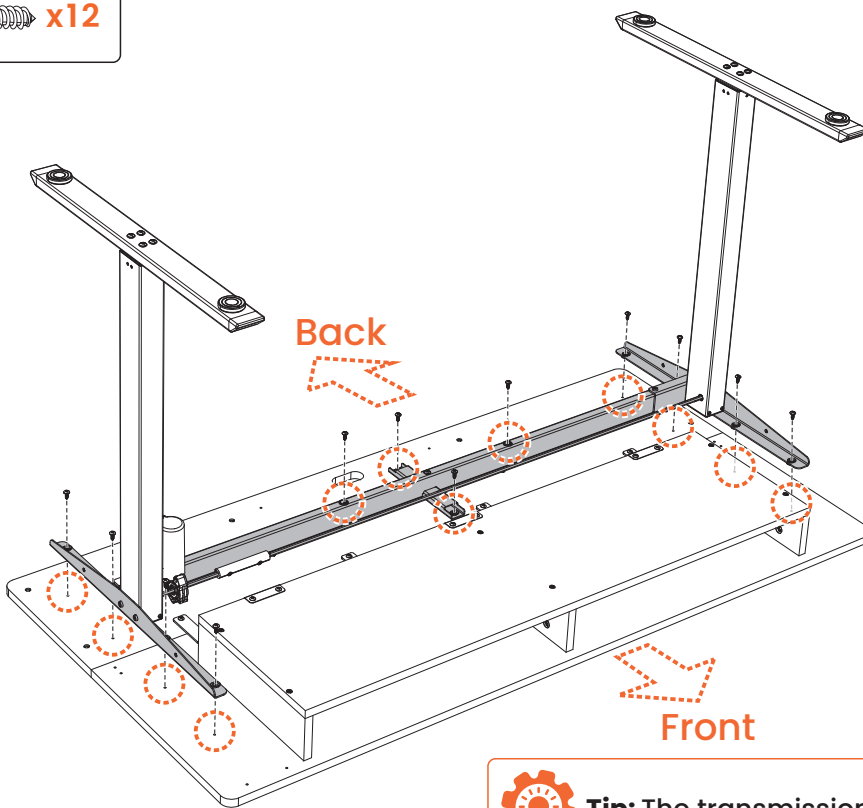


Attach the drawer backstops.



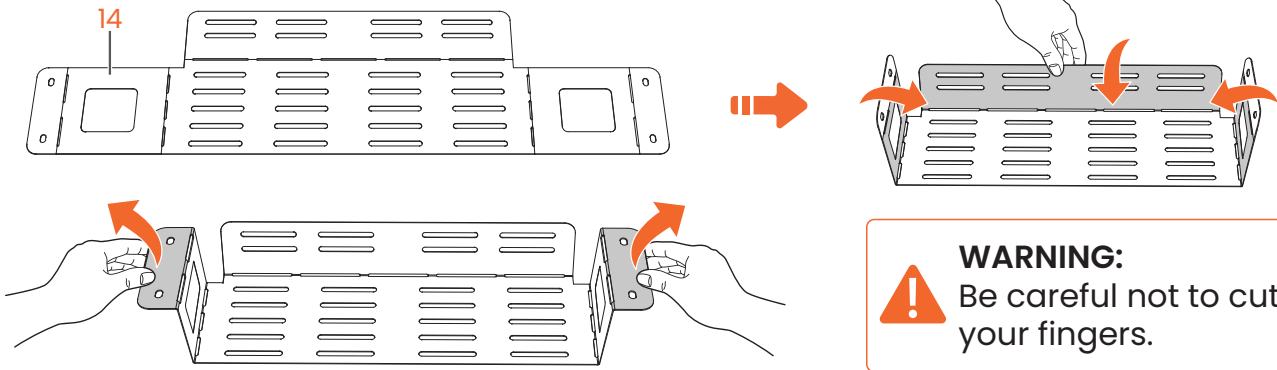
Step 4 Attaching the Frame and Cable Management Tray

Attach the frame to the desktop.

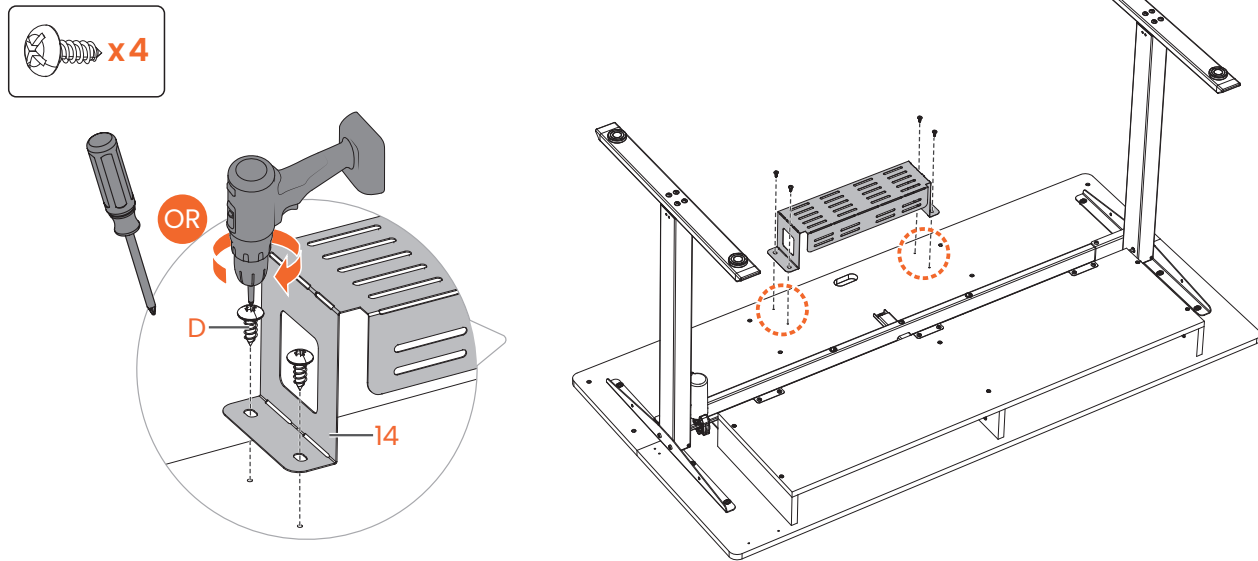


Tip: The transmission rod faces front.

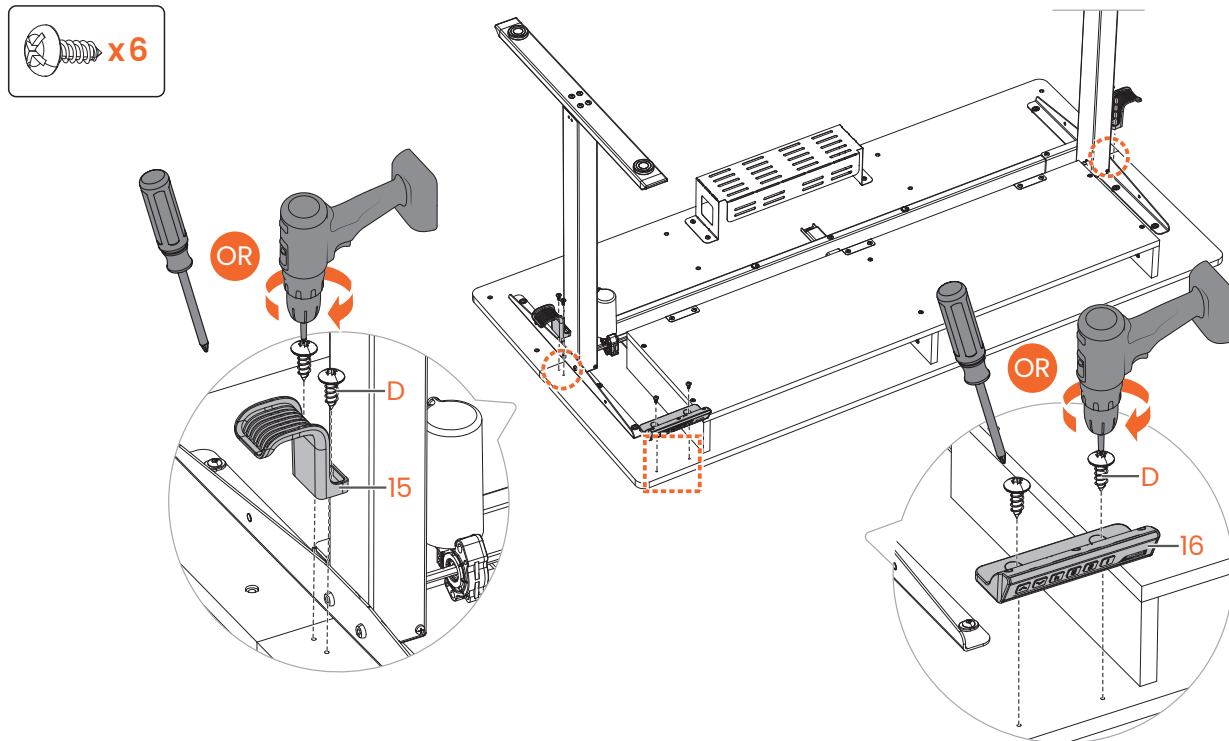
Fold the cable management tray into shape.



Attach the cable management tray.



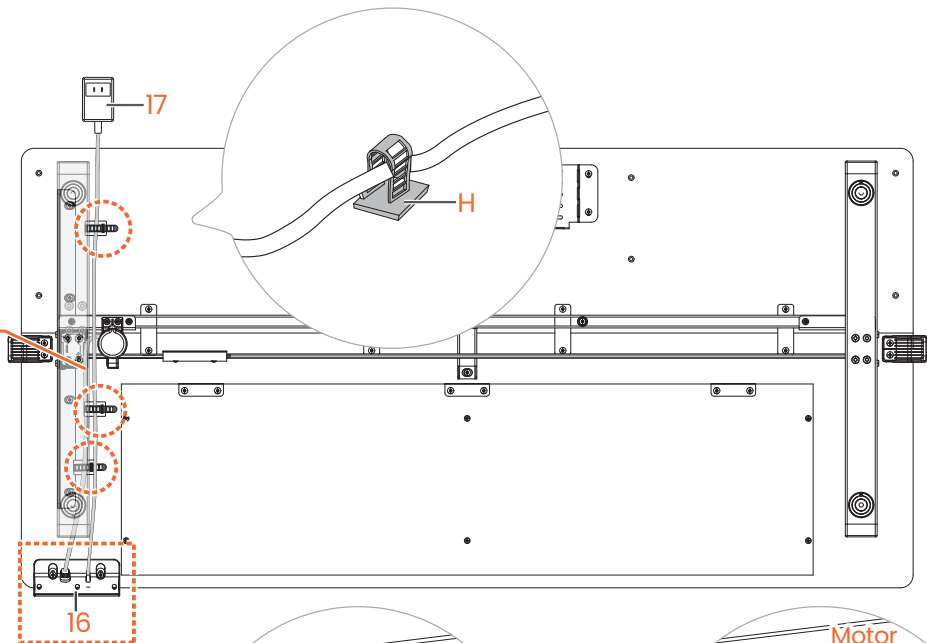
Attach the storage hooks and controller to the desktop.



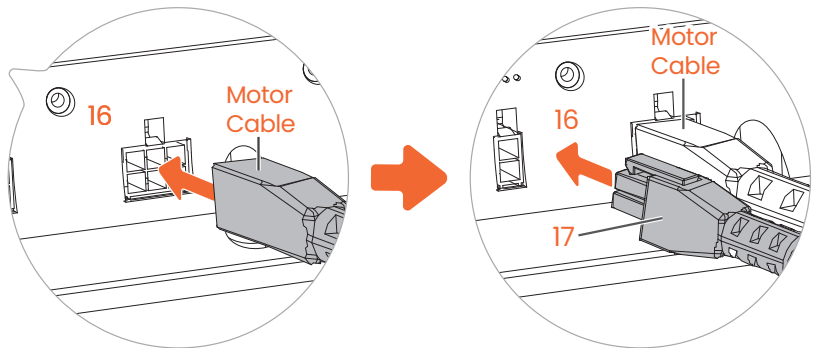
Step 5 Connecting the Cables

Note: An example of a cable clip layout is indicated below. However, the cable clips can be arranged according to your needs.

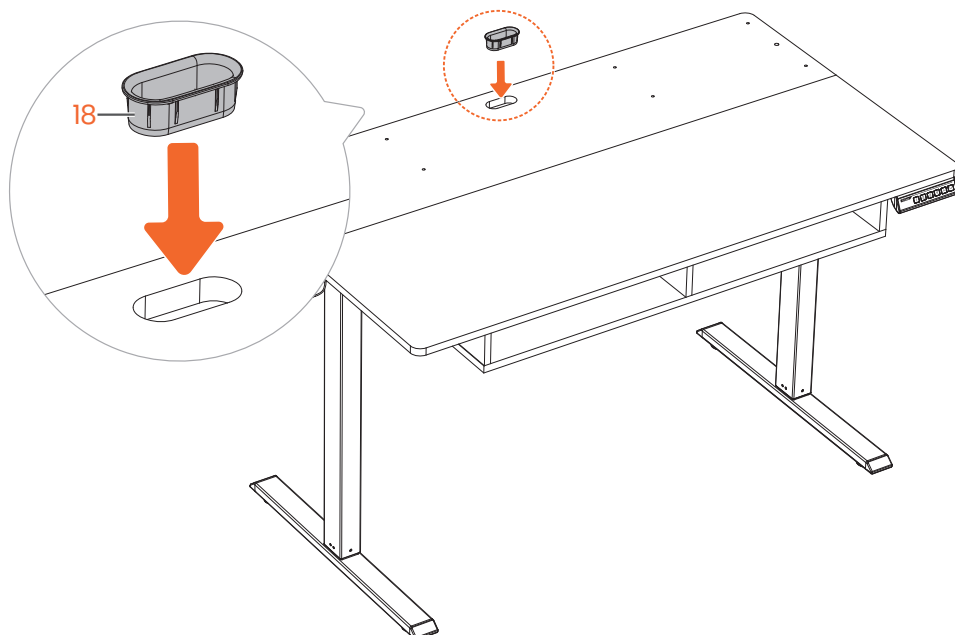
Note: Ensure the cables do not rub the motor drive shaft.



Tip: When flipping the desk over, do not allow the controller to collide with the ground, which could cause damage.

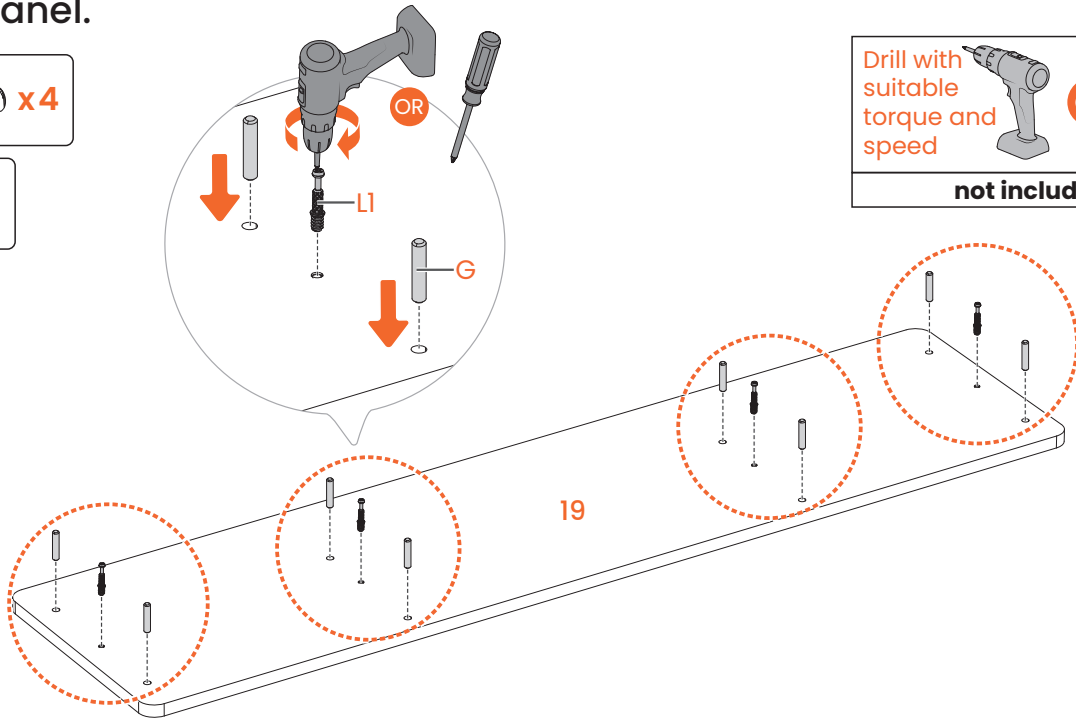
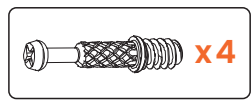


Insert the grommet.



Step 6 Attaching the Top Drawer Panels

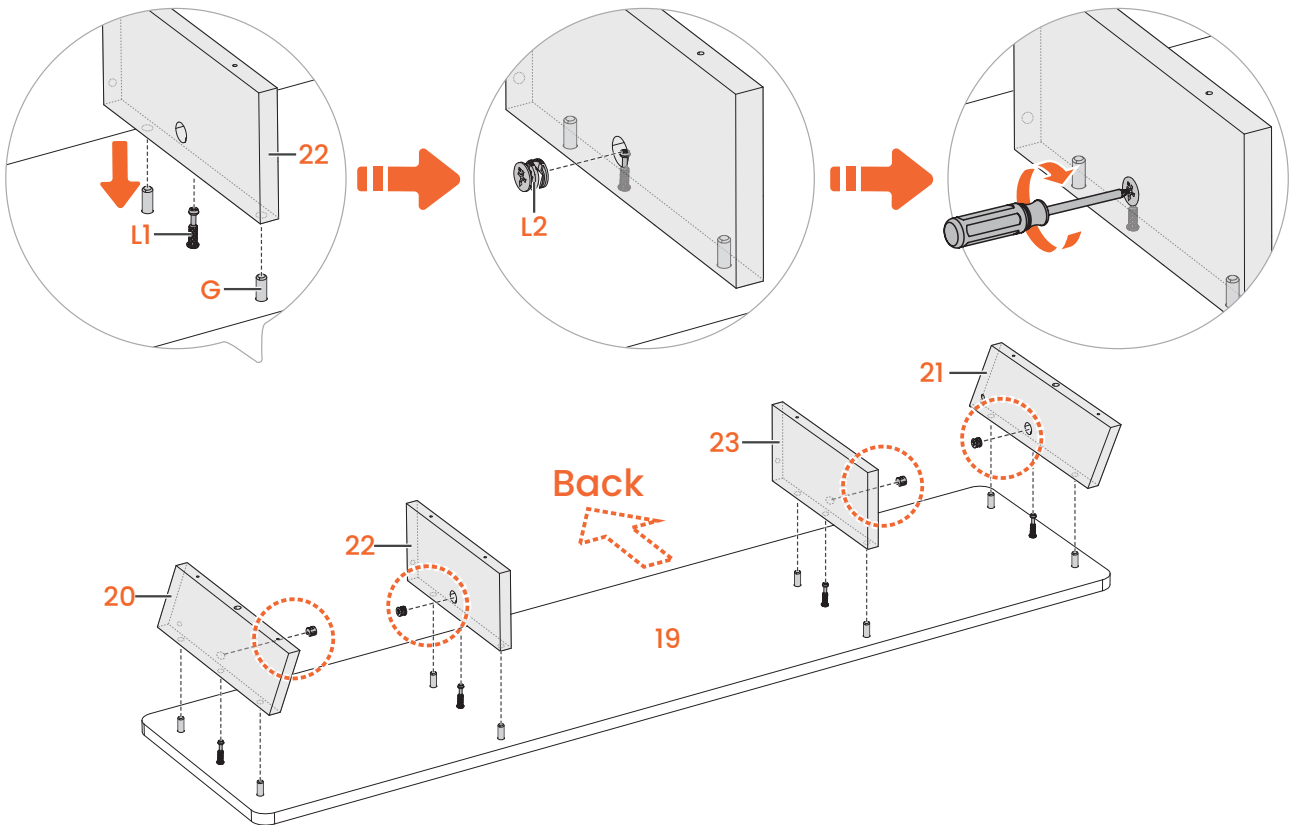
Screw the cam bolts in and push the wood dowel pins into the top drawer panel.



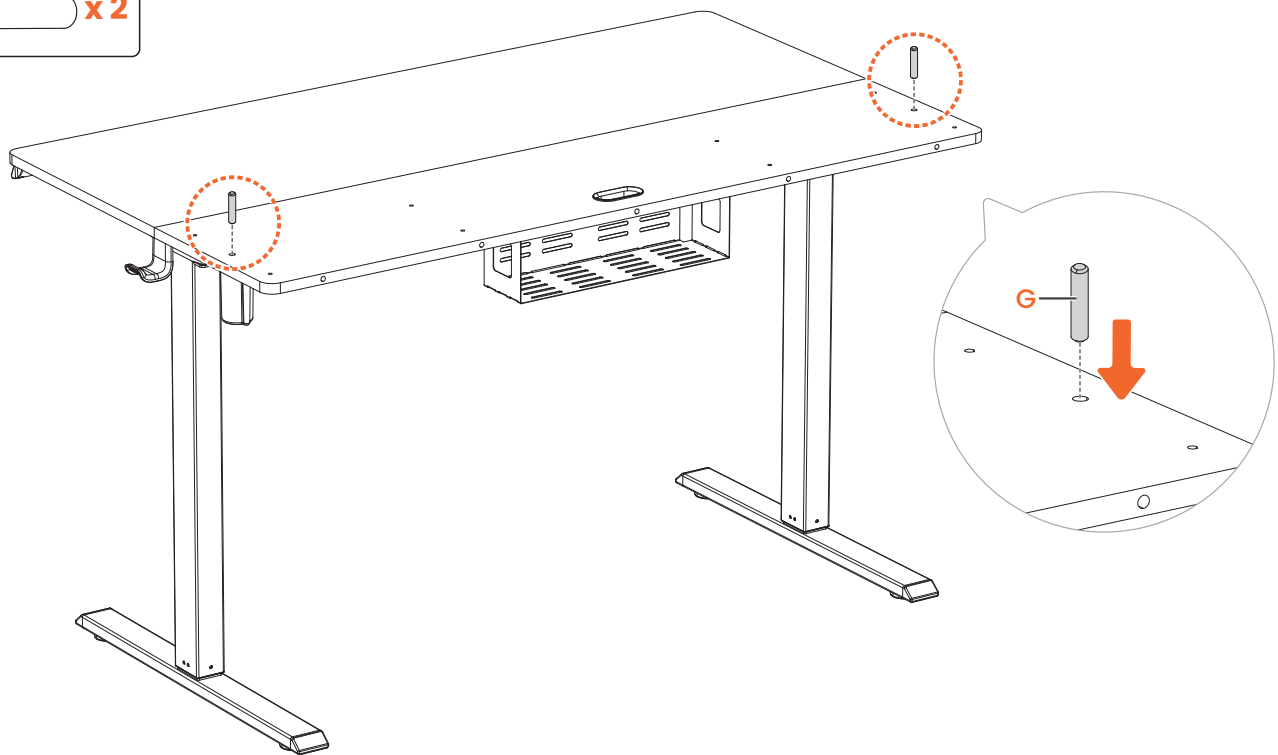
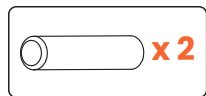
Attach the top drawer side panels as indicated below.



Note: The large holes for cam locks on the slanted panels face in.

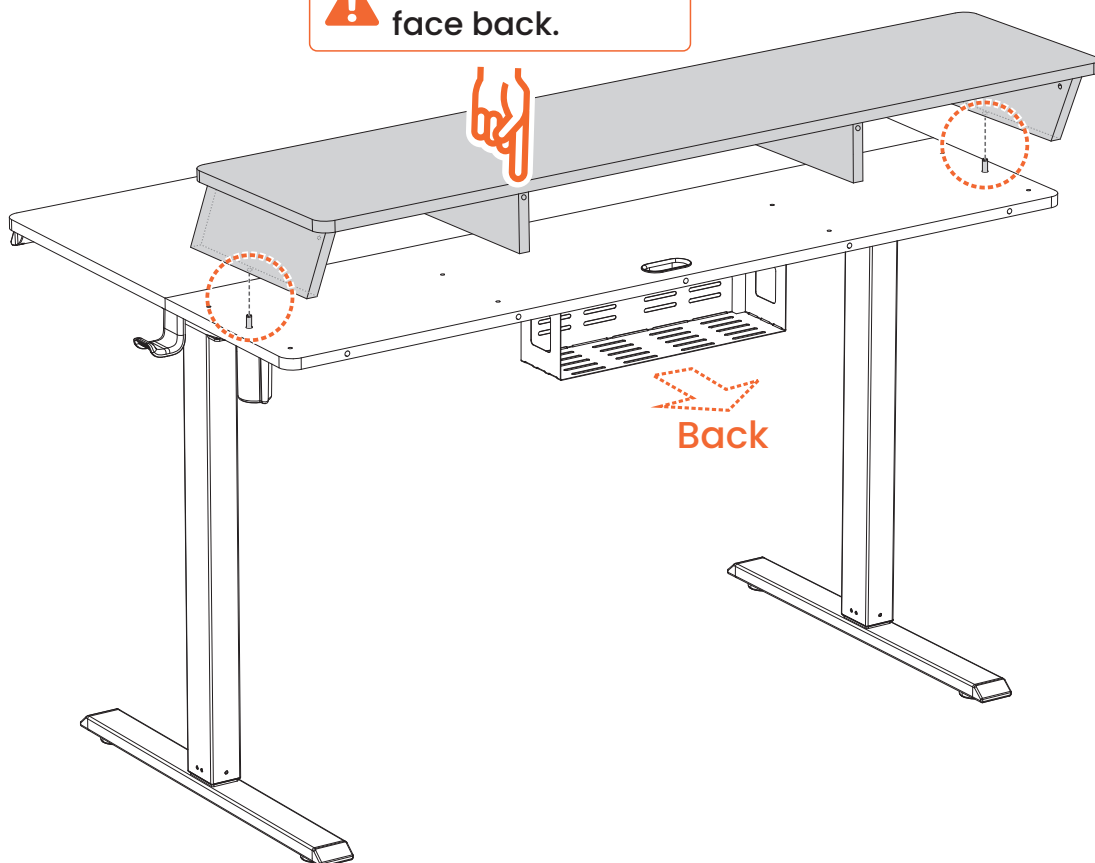


Push the wood dowel pins into the desktop.

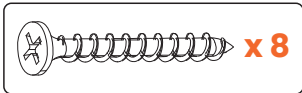


Attach the top drawer panels.

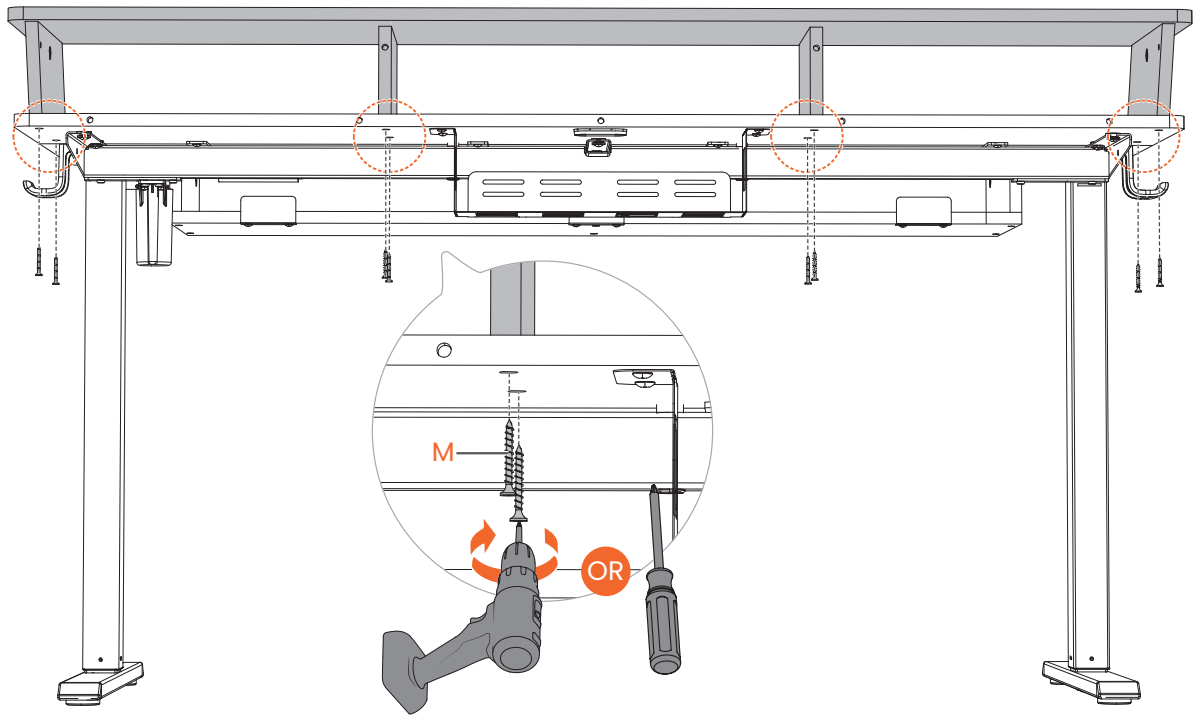
 **Note:** These holes face back.



Secure the top drawer panels.

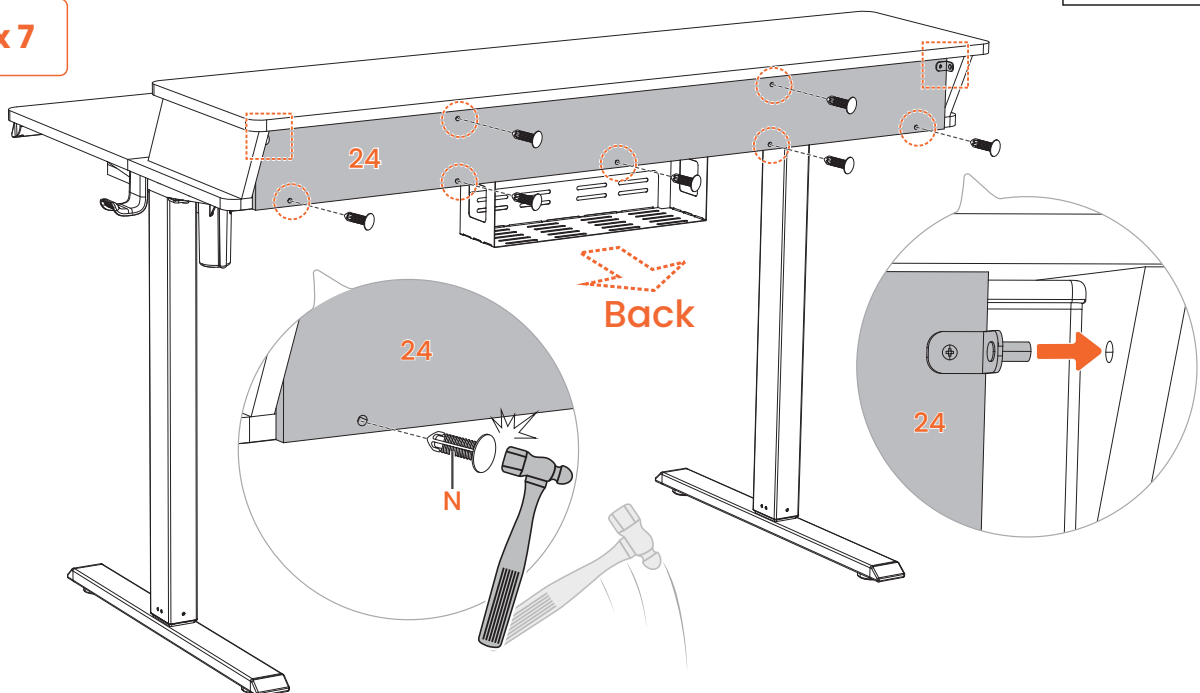
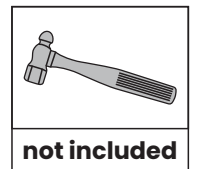


Tip: You can connect the power supply, then raise the desk for easier access.

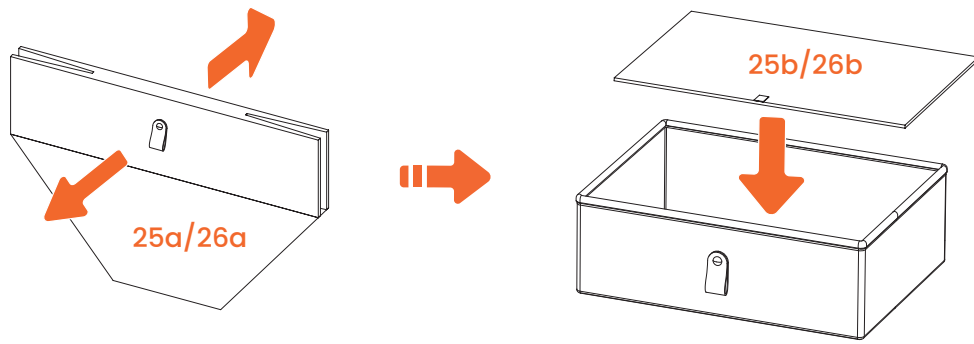


Step 7 Attaching the Felt Backstop and Drawers

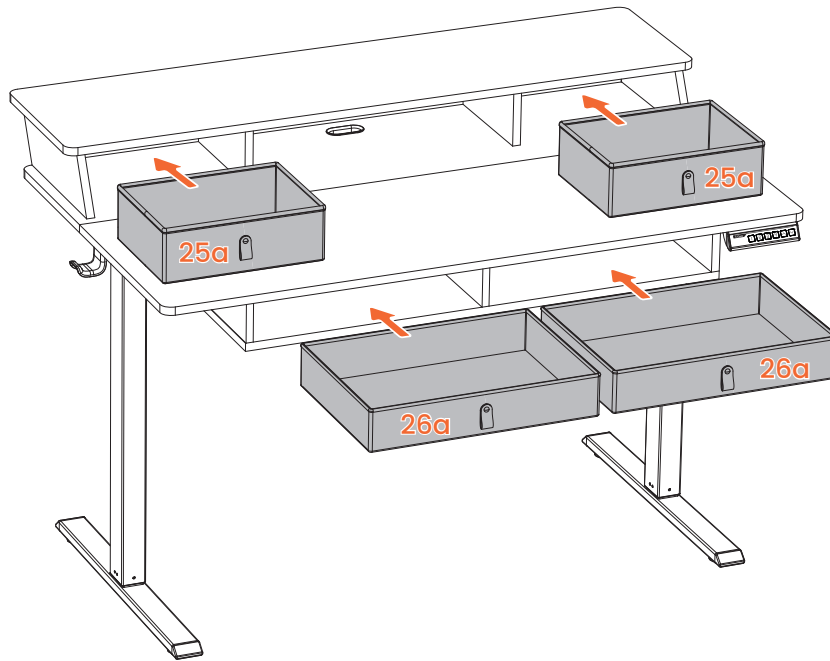
Attach the felt backstop by tapping the plastic rivets into the two top holes, inserting the pins into the side panels, then tapping in the remaining rivets.



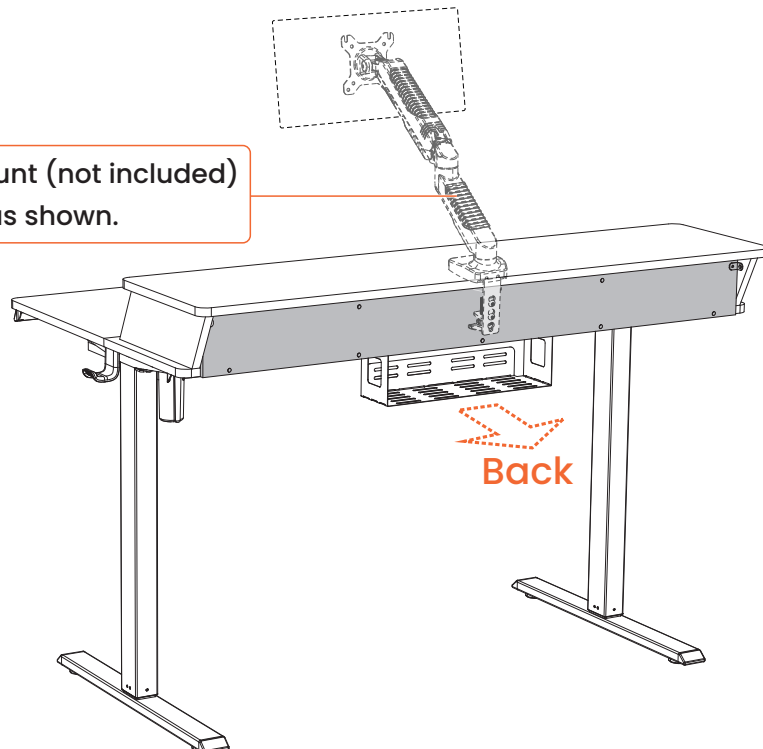
Unfold the fabric drawers, then place the boards on the bottoms of the drawers.



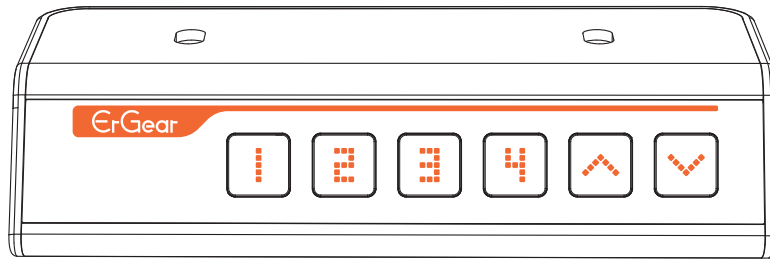
Insert the fabric drawers.



Tip: A monitor mount (not included) can be attached as shown.




Using the Controller




Note: Ensure there are no obstacles when using the desk, that the desktop is not too close to the wall, and that all cables are long enough for the desk to move up and down freely. When the controller screen is off (power-saving mode), press any button to wake it before operation.

Suggestion: Set the most comfortable height when you sit down to **1** and the most comfortable height when you stand up to **2**. The other two presets can be set for another user or for other heights you want to use.

Raise the Desk

Press the  button to raise the desk continuously until it reaches the highest position of 46.8" (119cm) or the button is released.

Lower the Desk

Press the  button to lower the desk continuously until it reaches the lowest position of 27.9" (71cm) or the button is released.

Save Height Settings

Four heights can be stored. Press and hold the **1** / **2** / **3** / **4** button for 3 seconds. The digital number will flash three times and the current height will be stored to that button.

Select Height Setting 1

Press the **1** button. The desk will move to the height that was previously set for that button. Press any button to stop the desk.

Select Height Setting 2

Press the **2** button. The desk will move to the height that was previously set for that button. Press any button to stop the desk.






















Select Height Setting 3

Press the **3** button. The desk will move to the height that was previously set for that button. Press any button to stop the desk.

Select Height Setting 4

Press the **4** button. The desk will move to the height that was previously set for that button. Press any button to stop the desk.

Settings

<p>Reset</p>	<p>1. Press and hold the  button until the desk goes down to its lowest level, then release the button.</p>
<p>'RST' displays as  on the screen.</p>	<p>2. Press and hold the  button for 5 seconds until the screen displays 'RST,' then release the button with 'RST' flashing. 3. Press and hold it again until the desk goes down to its lowest level and comes back up slightly. The screen will display the current height again, then reset is complete. Note: Do not place items on the desktop during the reset procedure.</p>
<p>Lock/Unlock</p>	<p>Press and hold  and  buttons together for 3 seconds to turn the lock on. The screen will display 'LOC' and the buttons will be disabled. Repeat to turn the lock off.</p>
<p>Change Display Height Units</p>	<p>Press and hold  and  buttons together for 3 seconds to switch the display height unit. The default unit is imperial.</p>
<p>Change Collision Detection Sensitivity</p>	<p>1. Press and hold  and  buttons together for 3 seconds and 'S02' will flash on the screen. The last digit displayed is the current sensitivity level, and the value range is 0–3 (0: off; 1–3: highest to lowest). 2. Select other levels by pressing  or  button, then press and hold  and  buttons together for 3 seconds. The digits will stop flashing and the screen will display the current height again. Note: Sensitivity is preset to Normal by the factory. However, sensitivity may be adjusted if needed.</p>
<p>Set/Clear Lowest Limit</p>	<p>1. To set the lowest height limit, press and hold  and  buttons together for 3 seconds. The screen will display '-dO.' Whenever the desk reaches the lowest limit, the screen will display '-LO.' 2. To clear the lowest height limit, move the desk down to the lowest height (screen displays '-LO'), then press  and  buttons together for 3 seconds. '-dO' will flash on the screen and the limit will be cleared.</p>
<p>Set/Clear Highest Limit</p>	<p>1. To set the highest limit, press and hold  and  buttons together for 3 seconds. The screen will display '-UP.' Whenever the desk reaches the highest limit, the screen will display '-HI.' 2. To clear the highest limit, move the desk up to the highest level (screen displays '-HI'), then press  and  buttons together for 3 seconds. '-UP' will flash on the screen and the limit will be cleared.</p>

Troubleshooting

- Please try resetting the desk if you have any issues including the following:
 - Abnormal operation.
 - The controller screen displays 'RST' (reset).
 - The controller screen displays error message E01 - E08, but the motor cable is connected properly.
- If the controller screen displays 'HOT,' please wait 20 minutes for the motor to cool down before making any further height adjustment.