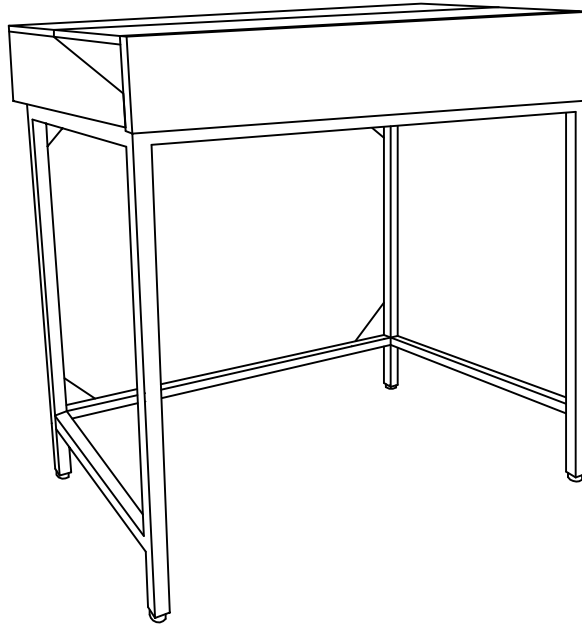
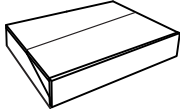




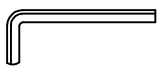
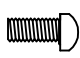
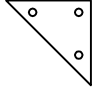


Assembly Instructions

TABLE TOP WRITING DESK WITH MEDALLION



Thank you for purchasing a Company product. This product has been designed for easy assembly and is constructed for durability. Please take the time to read and follow the assembly instructions carefully. If a part or hardware is missing or you have any difficulties in assembling this product.

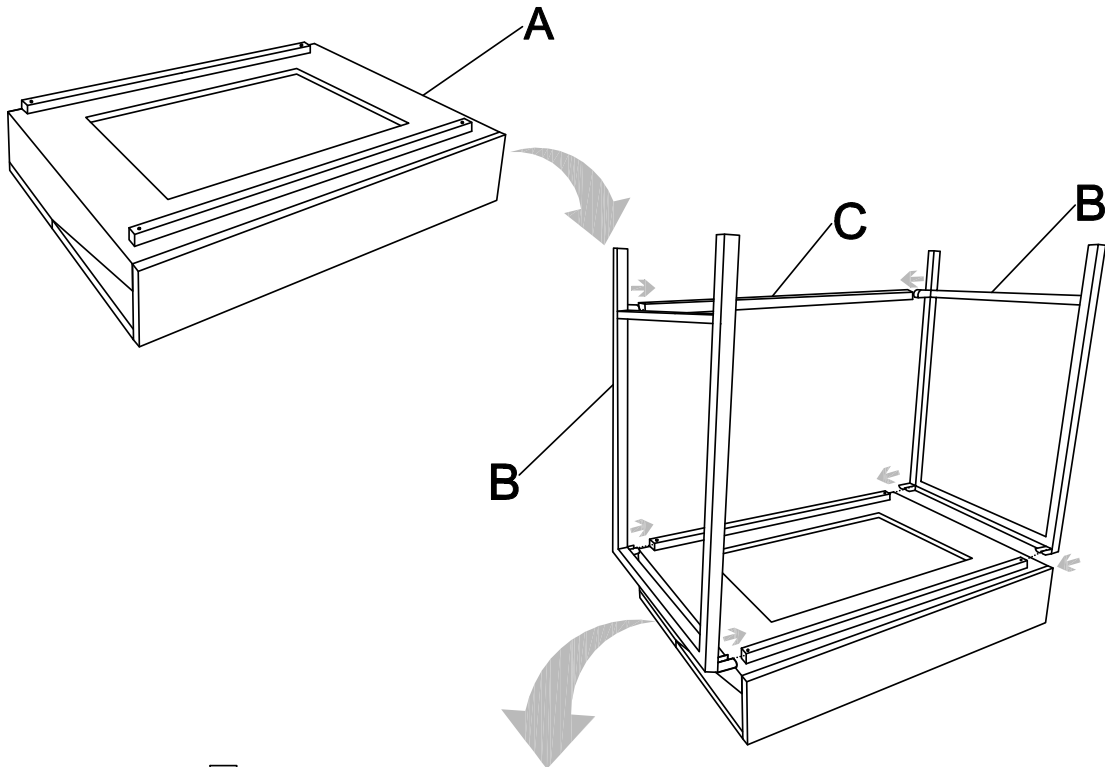
NO	PARTS	DESCRIPTION	QTY	NO	PARTS	DESCRIPTION	QTY
A		TOP	1PC	F		FLAT WASHER	18PC
B		LEG	2PC	G		SPRING WASHER	18PC
C		SUPPORTER	1PC	H		ALLEN HEAD WRENCH 4MM	1PC
D		BUTTON HEAD BOLT 16X6MM	18PC				
E		TRAIANGULAR PLATE	4PC				

PLEASE NOTE:- DO NOT TIGHTEN SCREW COMPLETELY UNTIL PRODUCT IS FULLY ASSEMBLED

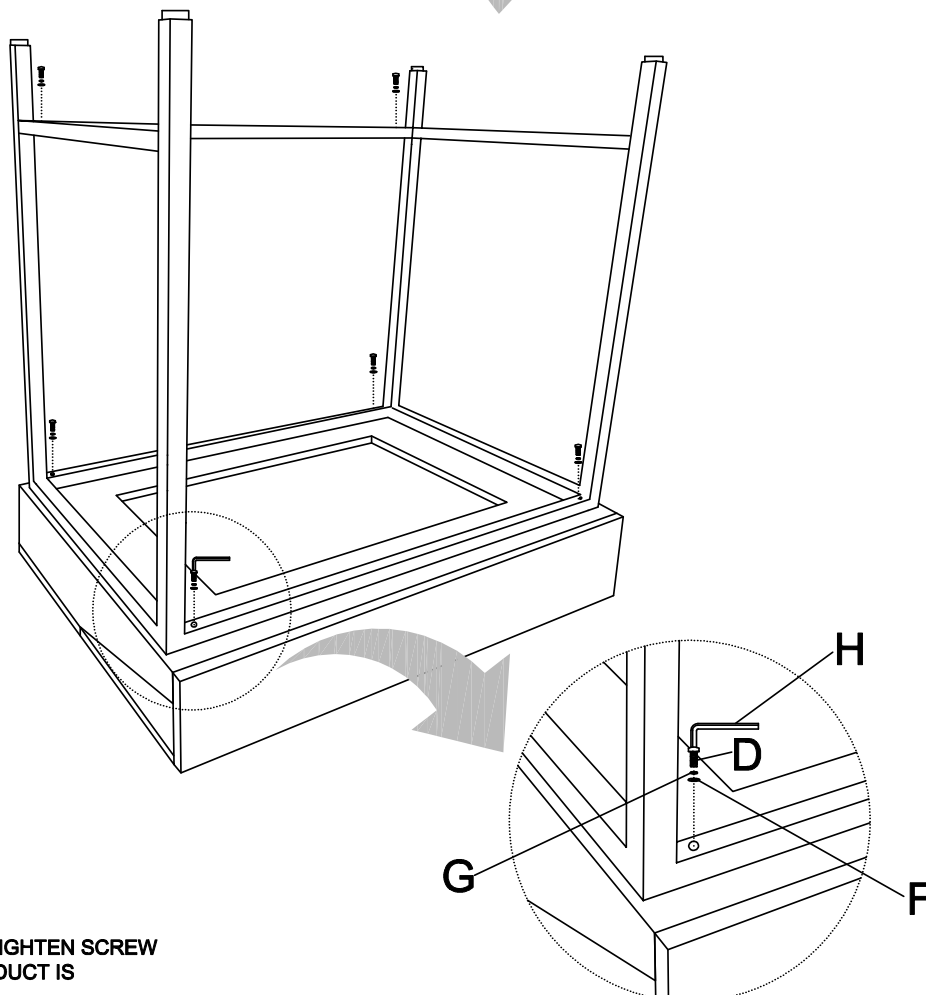
Assembly Instructions

TABLE TOP WRITING DESK WITH MEDALLION

STEP 1



STEP 2

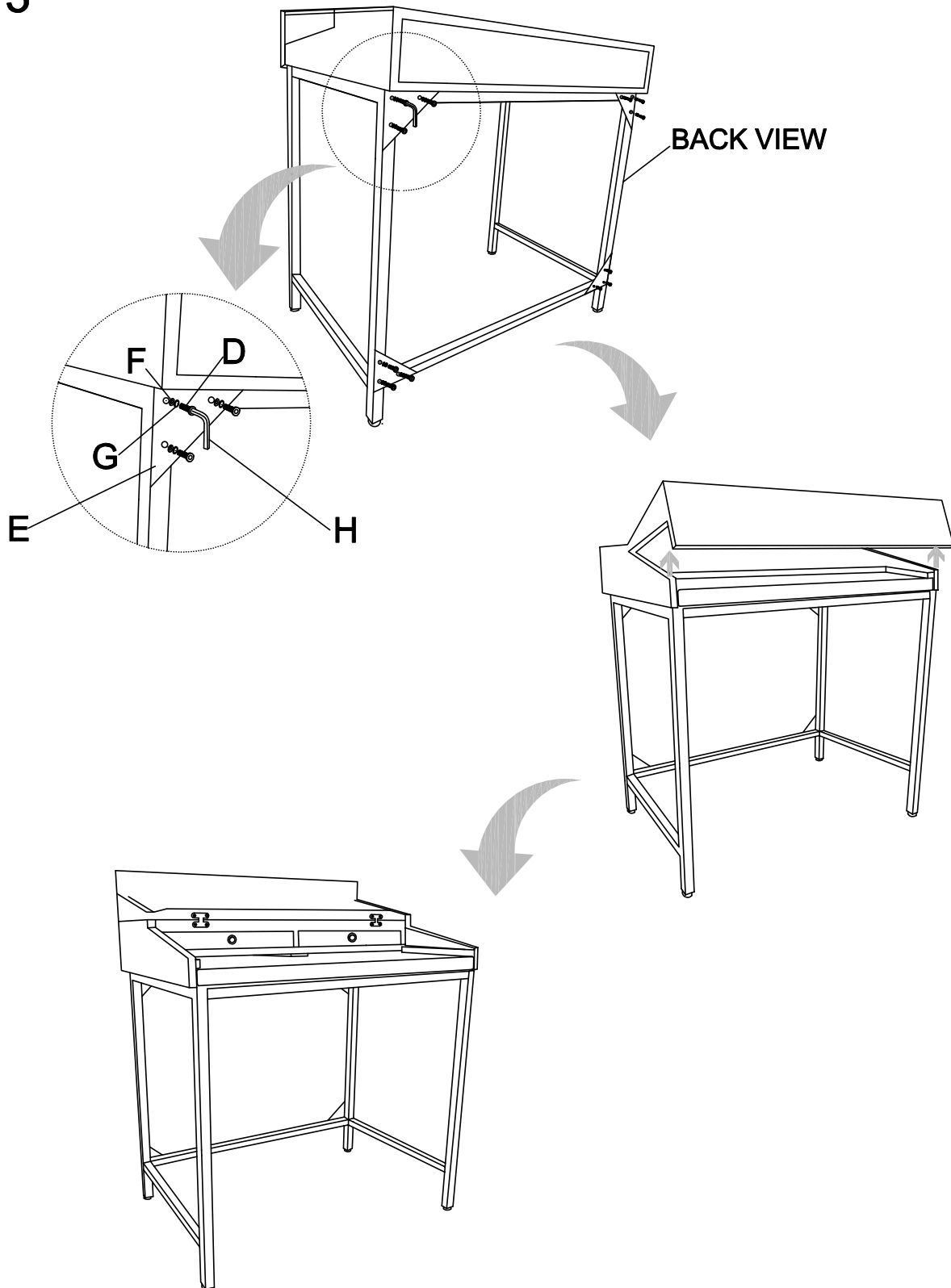


PLEASE NOTE:- DO NOT TIGHTEN SCREW COMPLETELY UNTIL PRODUCT IS FULLY ASSEMBLED

Assembly Instructions

TABLE TOP WRITING DESK WITH MEDALLION

STEP 3



PLEASE NOTE:- DO NOT TIGHTEN SCREW
COMPLETELY UNTIL PRODUCT IS
FULLY ASSEMBLED