

Bazyths

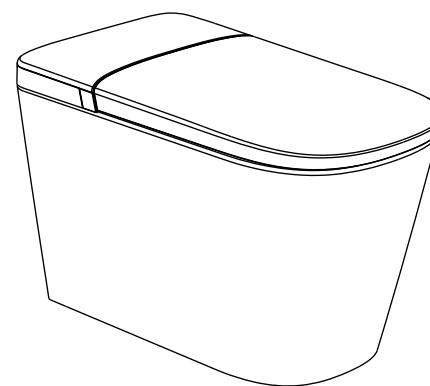
ENJOY YOUR NEW BAZYTHS SMART TOILET

Please contact Bazyths Support if you have any questions.

INSTRUCTION

BAZYTHS SMART TOILET

Concealed cistern series



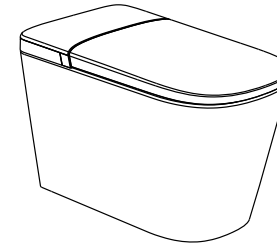
- Thank you for purchasing our product. Before using, please read the instruction carefully. Please keep the instruction properly for further reference.
- Our company reserves the right of final interpretation for this manual. The manual is subject to change without notice.

Catalogue

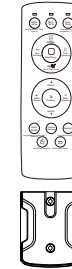
Packing List	02
Installation of the Battery Box	04
How to Use Foam Shield & Toilet Bowl Cleaner Tablets	05
Components	07
Technical Drawing	08
Features	08
Attentions	12
Installation Instruction	19
Preparation before Use	24
Panel Instruction	25
How to Use	28
Function Setting and Adjustment	29
Cleaning and Maintenance	36
Troubleshooting	40
Warranty	41
Function List	42
Product Specification	43
Acceptance Record	44

Packing List

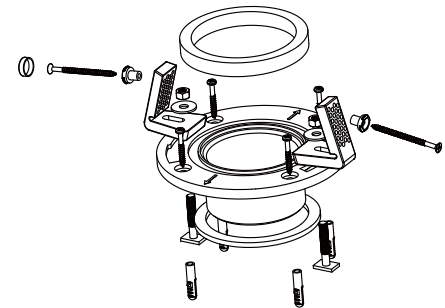
Dear user,
Please count the following items after opening the package:



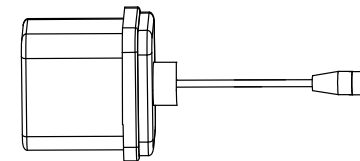
Smart Toilet



Remote Control & Mounting Bracket
Requires 2 AAA alkaline batteries
(batteries not included).

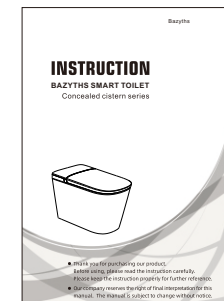


Flange, Sealing Wax Rings,
Mounting Accessory Kit



Backup Battery Box
for Power Outage Flush

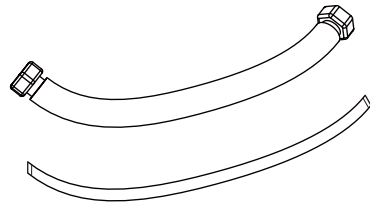
Requires 10 AA alkaline batteries to enable flushing
during a power outage (batteries not included, please
purchase separately).



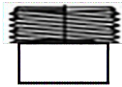
Instruction Manual

Packing List

Dear user,
Please count the following items after opening the package:



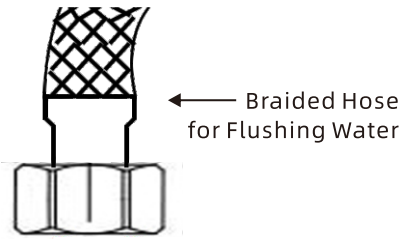
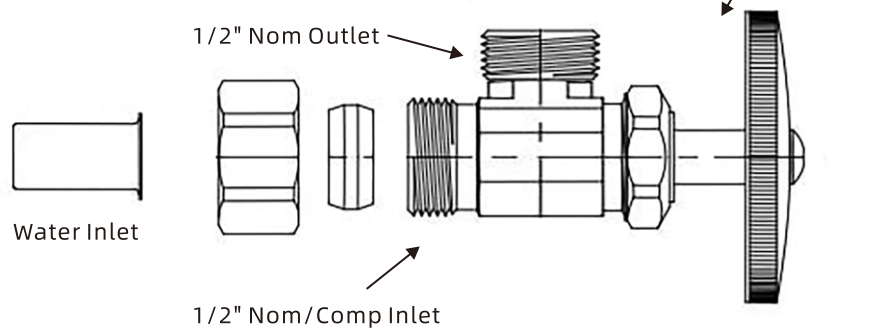
1 Braided Hose (for Flushing Water)
1 Plastic Hose (for Cleansing Water)
(Pre-installed)



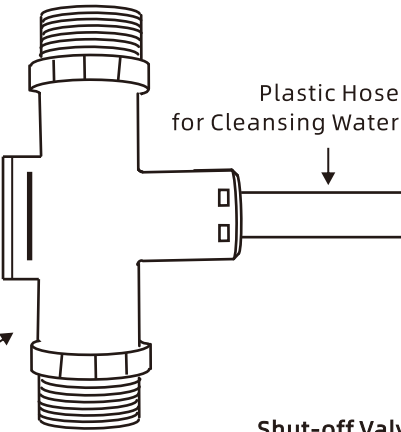
Spare Part: 3/8" Female
to 1/2" Male Adapter

If your existing shut-off valve has a 3/8" outlet, you can use this spare part to connect it to our smart toilet without the need for replacing the valve.

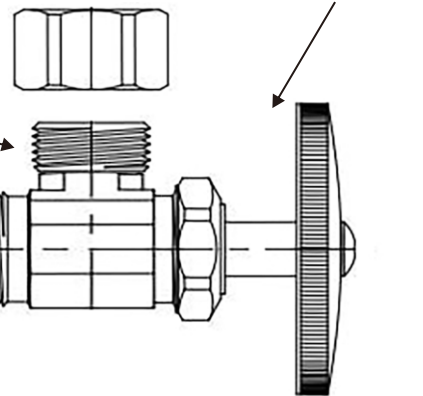
Shut-off Valve & T-Valve



Braided Hose
for Flushing Water



Plastic Hose
for Cleansing Water



Shut-off Valve

Battery Box for Power Outage Flush

Installation of the Battery Box for Power Outage

1. This battery box is for use as backup during power outages. **The battery box must not be used simultaneously with a plugged-in power source when the toilet is in operation.** It is recommended to connect it to the main unit only during power outages. We accept no responsibility for the consequences of using dual power sources at the same time, and such usage is not covered by the warranty.

2. Before activating the power outage flushing function, install 10 AA alkaline batteries (batteries not included, please purchase separately) into the battery box in advance (open the battery box with a screwdriver). Do not mix new and old batteries, batteries of different models, or batteries from different brands. When replacing the batteries, ensure that all are replaced at the same time.

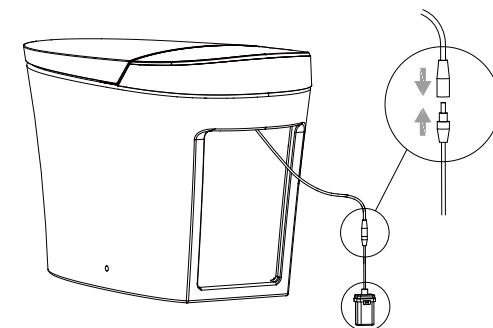
3. Please follow the "+" and "-" signs on the battery box when installing batteries. This battery box is a series battery group, and no single cell can be reversed. Failing to do so may cause battery damage, and in severe cases, may pose safety hazards such as explosion and combustion.

4. Take out the battery connection cable from the rear side of seat cover and connect it to the battery box, ensuring that it is plugged in place.

5. Do not disassemble the battery box unnecessarily. After replacing the battery, make sure to seal the battery box tightly. If moisture from the bathroom gets into the box, it could cause the batteries to rust and become damaged.

6. When replacing batteries, disconnect the battery box from the main unit.

7. To avoid potential hazards, this battery box cannot be recharged.



How to Use Foam Shield & Toilet Bowl Cleaner Tablets

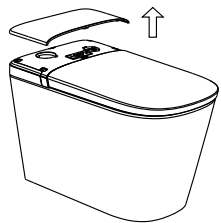
■ Introduction to the Foam Shield Function

The Foam Shield creates a soft foam layer inside the toilet bowl that prevents splashing, blocks odors, and keeps the bowl cleaner. It is an innovative feature designed to enhance hygiene and provide a more comfortable and pleasant bathroom experience.

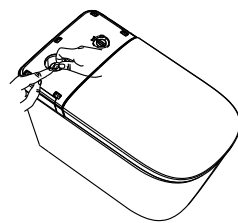
■ How to Get Your Free Foam Shield Liquid

For transportation safety, the foam liquid is not pre-filled in the foam shield bottle. Your first bottle is completely free, and we will ship it to you separately.

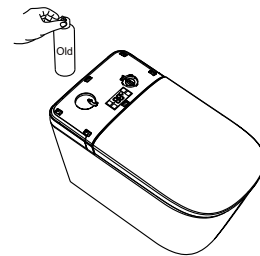
■ Replace the Foam Shield Bottle



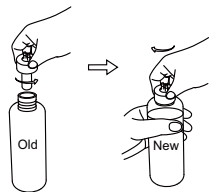
1. Hold both hands together on the left and right sides of the decorative cover, and lift it out vertically.



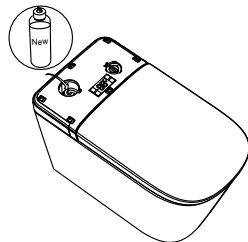
2. Press the connector cap and detach the soft tube.



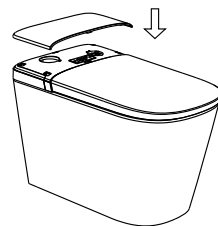
3. Remove the old bottle.



4. Take the connector head from the old bottle and attach it to the new bottle.



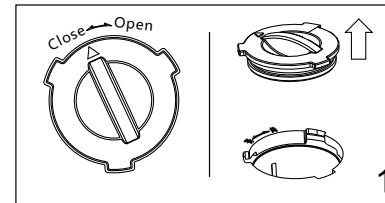
5. Place the new bottle back into the machine and reconnect the soft tube.



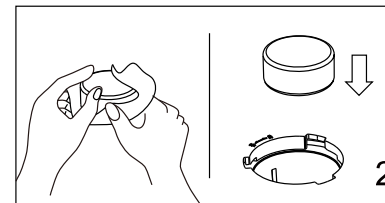
6. Secure the decorative cover back in place.


Note: Regardless of whether you use the Foam Shield function, please ensure that a foam liquid bottle is placed here and that the soft tube is connected to the bottle. Without a bottle, water leakage may occur.

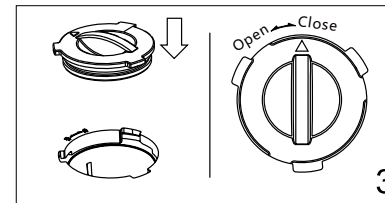
■ Toilet Bowl Cleaner Tablets Installation Instructions




1. Turn the arrow on the lid to "Open" and lift the lid.



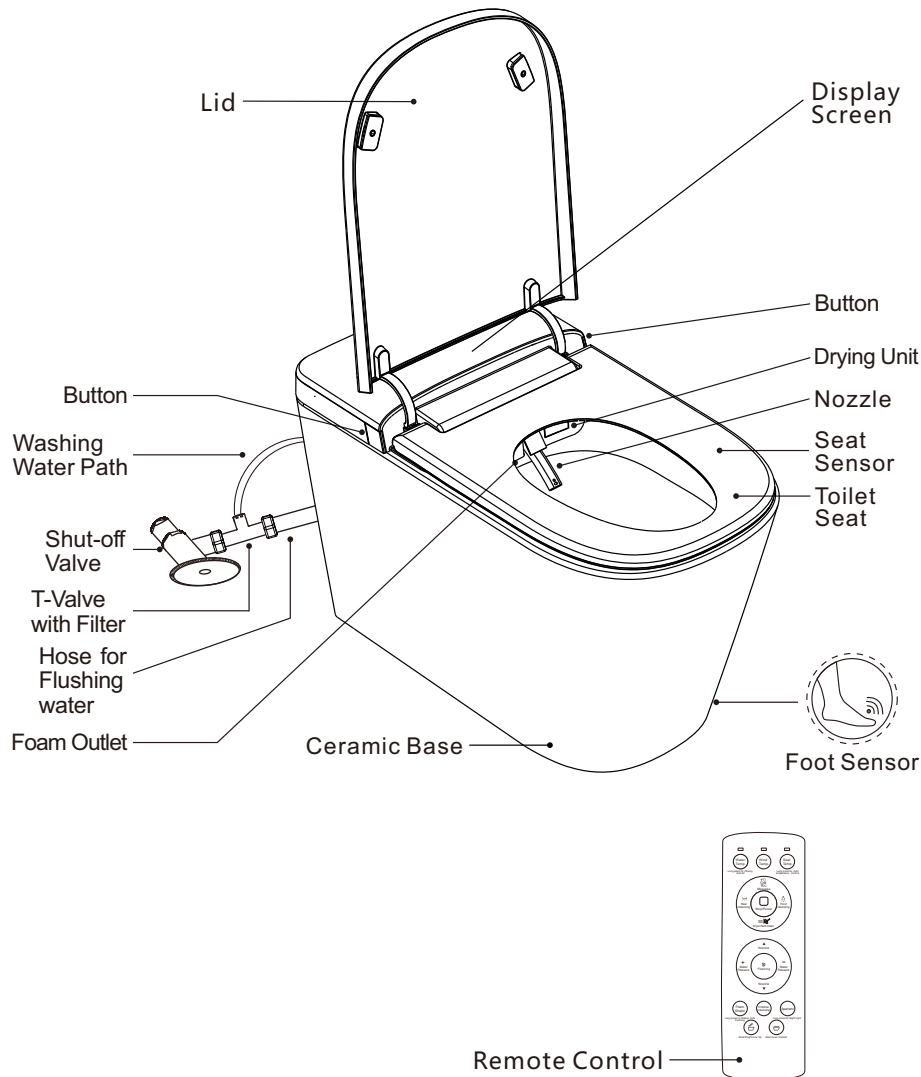
2. Remove the "water-soluble film" from the cleaner tablet.  (Failure to do so may clog the pipes). Then place the cleaner tablet (Diameter \leq 45mm, Thickness \leq 20 mm) into the mixing chamber.



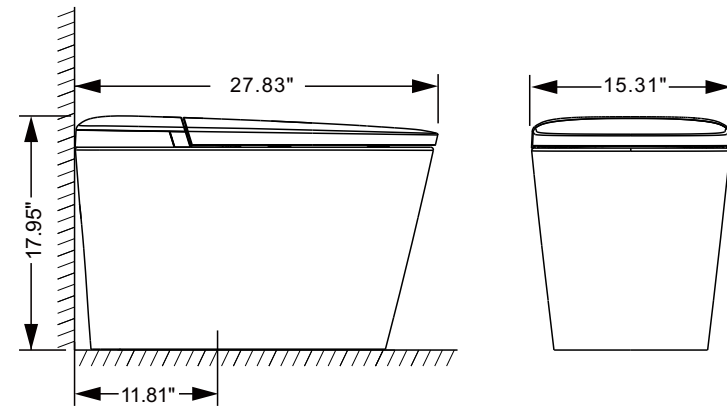
3. Close the lid and turn the arrow to "Close."  (Flushing is not allowed if the lid is not properly closed).

Note: Due to shipping restrictions, we are temporarily unable to provide toilet cleaner tablets. Please purchase them locally.

Components



Technical Drawing



Features

Automatic Opening of the Toilet Lid / Automatic Closing of the Lid & Toilet Seat

The toilet lid automatically opens when the user approaches the toilet. The seat and lid automatically close 2 minutes after the user leaves the toilet's sensor range. Press the Dryer button on the remote control to turn this function on or off.

Foot Sensor to Open/Close the Lid or Seat

Foot Sensor to Open/Close the Lid or Seat Opens or closes the toilet lid or toilet seat when the user moves their foot near the sensor.

Rear Wash

Water is released from the single nozzle for a powerful cleaning effect. The cleaning cycle lasts for 90 seconds. You can stop it anytime by pressing and holding the side button on the toilet for 2 seconds (while seated) or by pressing the "Stop" button on the remote control.

Feminine Wash / Front Wash

Designed for gentle cleaning specifically for female use.

Warm Air Dryer

The warm air dryer has 4 temperature settings (room temperature, high, medium, low) for drying after cleansing.

Features

One-Twist Quick Mode (Wash + Flush + Dry)

When you activate a cleaning mode using the button (rear wash or feminine wash), the system will automatically follow a one-press sequence: wash, flush, and dry. Each cleaning cycle lasts 90 seconds, followed by automatic flushing and a 3-minute drying cycle.

If the full 90-second wash cycle is not needed, you can skip directly to the flushing and drying phases. For example, if the rear wash is currently active, simply press the rear wash button again to skip the remaining wash time and proceed to flushing and drying.

Remote Control

All functions can be accessed via the wireless remote control.

Rear Wash with Moving Nozzle

The nozzle moves back and forth to provide a thorough cleaning over a wider area. To toggle between moving and non-moving cleaning, simply press the current wash button again on the remote control (for example, if rear wash is active, briefly press the rear wash button again to toggle). Please note that only the remote control can be used to switch between moving and non-moving cleaning modes.

Feminine Wash with Moving Nozzle

The nozzle moves back and forth to provide gentle cleaning over a wider area.

Hot and Cold Massage

The nozzle alternates between warm and cool water for a massaging effect. After the user is seated and a cleaning mode (rear wash or feminine wash) is activated, press and hold the feminine wash button on the remote control for 5 seconds to start the hot and cold massage. A single beep will sound to confirm activation. The nozzle alternates between 10 seconds of cool water and 5 seconds of warm water, continuing until the current cleaning mode ends (90 seconds). To deactivate the hot and cold massage, press and hold the feminine wash button on the remote control for 5 seconds again. Two beeps will sound to confirm deactivation. On some models, the night light will also flash as an indicator when turning off the hot and cold massage.

360° Foam Shield

Automatically activates when you sit, creating a foam layer that prevents splashing, blocks odors, and resists bacteria for a cleaner, more hygienic experience.

Compatible with Toilet Bowl Cleaner Tablets

Designed to work seamlessly with toilet bowl cleaner tablets, this toilet enhances cleaning efficiency. The tablets release powerful agents to remove dirt and limescale while forming a protective layer, preventing stains and ensuring long-lasting freshness.

Aperient / Enema

Water is released from the single nozzle with strong pressure to help relieve constipation or assist with easier bowel movements. After the user is seated, press and hold the feminine wash button for 5 seconds to enter the enema mode (indicated by a single beep). In enema mode, the nozzle position is fixed, and water is released at maximum flow. The enema cleaning cycle lasts for 90 seconds.

Cleansing Strength Adjustment

Adjust the cleansing strength/water pressure according to your preference.

Cleansing Position Adjustment

Adjust the cleansing position by moving the nozzle back and forth.

Cleansing Water Temperature Adjustment

4 levels of cleansing water temperature adjustment: normal (room temperature), high, medium, and low.

Seat Sensor

All corresponding functions will be activated and ready after the user is seated.

Toilet Seat Temperature Adjustment

Heated seat with 4 levels of temperature adjustment: normal (room temperature), high, medium, and low.

Auto Off-Seat Flush

Automatically flushes after use when the user stands up from the toilet seat.

Foot Kick to Flush

Flush by pressing the button with your foot.

Flush by Remote Control

Flush by pressing the flush button on the remote control.

Flush by Side Knob

Flush by pressing the side knob on the smart toilet.

Night Light

The night light is designed to be gentle on the eyes. It provides enough illumination to navigate the bathroom without turning on harsh overhead lights.

Nozzle Cleaning

Press and hold the corresponding button on the remote control when the seat is unoccupied. The nozzle will enter self-cleaning mode, making daily maintenance easy.

Nozzle Auto Cleaning

The nozzle will automatically clean itself before and after use.

Power Outage Flush

Equipped with a backup battery box, the backup battery can be activated for flushing during a power outage.

Attentions

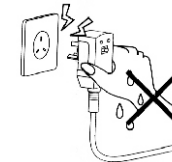


WARNING



NO WATER

Do not pull the plug with wet hand.

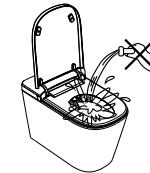


▲Otherwise, it may cause electric shock.



PROHIBIT

Do not pour water, detergent or deodorant on the smart toilet main unit and power plug. Otherwise:



▲It may cause fire, electric shock, short circuit or damage.

▲Injury or indoor water seepage may occur due to product damage.



PROHIBIT

When there is thunder, do not touch the power plug.

▲Otherwise, it may cause electric shock.



PROHIBIT

Do not touch the water inlet hose to the power plug or outlet.

▲Otherwise, it may cause fire, electric shock, heating, or short circuit due to condensation.



PROHIBIT

Do not damage the power cord or plug. Do not forcefully drop, pull, twist, bend, scratch, process, heat, place heavy objects on, tie, or clamp the power cord or plug.

▲Otherwise, it may cause product damage. Continuing to use the product in a damaged state may cause fire, electric shock, heating, or short circuit.



Do not use power outlets that are loose or malfunctioning.

▲ Otherwise, it may cause fire or short circuit.

PROHIBIT



Please use power outlets and wiring tools within the specified range.

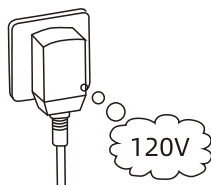
▲ When the wiring exceeds the specified range of the outlet, it may cause fire due to overheating.

PROHIBIT



Do not use a power source other than the specified one (AC 120V, 60Hz). Please do not plug in until the inlet valve opens.

PROHIBIT



▲ Otherwise, it may cause fire.



Do not disassemble, repair, or modify this product on your own.

▲ Otherwise, it may cause fire, electric shock, heating, short circuit or damage.

NO DISASSEMBLE



Do not install on a moving vehicle, ship, or other mobile structure. Otherwise:

▲ It may cause fire, electric shock, short circuit, or malfunction.

PROHIBIT

▲ The seat ring, seat cover, and smart toilet main unit may be damaged due to detachment and falling.



When the smart toilet malfunctions, do not continue to use it. In the following situations, turn off the power and close the water inlet valve to stop the water supply.

PROHIBIT

*Water leaks from the hose or product inside to the outside.

*The product has cracks or damage.

*Abnormal sound or odor.

*Product smoking.

*Product abnormal heating.

*The cushion of the seat ring falls off.

▲ Continuing to use the product in a malfunctioning state may cause fire, electric shock, heating, short circuit, injury, or indoor water seepage.



Do not use water sources other than tap water or potable well water (groundwater). Otherwise:

▲ It may cause corrosion in components or machine malfunctions.

▲ It may cause skin inflammation or burns due to unclean water.

PROHIBIT



Do not put your fingers or other objects into or block the warm air outlet, and do not place or cover objects or clothing on the warm air outlet.

▲ Otherwise, it may cause burn, electric shock, or burning of accessories.

PROHIBIT



Beware of low-temperature burns.

▲ Improper use of the warm seat ring may result in low-temperature burns.

▲ If sitting on the seat ring for a long time, please set the temperature of the seat ring to normal/unheated (room temperature).

▲ When using the warm seat ring or warm air drying function, please set the temperature of the seat ring to normal/unheated (room temperature) and the temperature of the warm air dryer to the lowest setting for the following groups of people.

* Children, the elderly, and those who are unable to adjust the temperature to a suitable level themselves.

* Individuals with behavioral impairments such as patients or people with disabilities.

* Individuals who have taken hypnotic drugs (such as sleeping pills, cold medicine, etc.), heavy drinkers, and those who are excessively fatigued must use this product under the supervision of a responsible person.

MANDATORY



Please confirm that the power outlet has been waterproofed.

▲ Make sure of the position of the outlet before installation and keep it away from the bathtub as much as possible.

▲ If it is not waterproofed, it may cause fire or electric shock.

▲ For the installation and waterproofing of the outlet, please consult qualified professionals.

MANDATORY



Please confirm that the outlet being used is correctly grounded.

▲ Otherwise, it may cause electric shock due to malfunction or short circuit.

▲ When installing the ground wire, please entrust a professional installation company.

MANDATORY



Do not pull out the power plug by holding the power cord. When unplugging the power plug, do not hold the power cord, but hold the power plug.

MANDATORY

▲Otherwise, it may cause fire or heating due to damage to the power cord.



Please make sure to firmly insert the power plug into the outlet.

MANDATORY

▲Otherwise, it may cause fire, heating, or short circuit.



If the power cord is damaged, it must be replaced by the manufacturer, maintenance department, or other professionals to avoid potential hazards.

MANDATORY



When performing maintenance (not include the nozzle cleaning function), be sure to turn off the power.

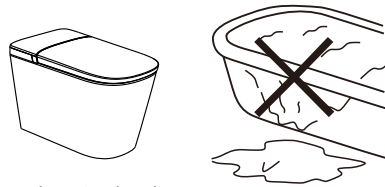
MANDATORY

▲Otherwise, it may cause electric shock.



This is an electrical product. Do not install it in places where it is easy to be splashed with water or where the humidity is high. When using it in the bathroom, please install an exhaust fan or ventilation opening to keep the bathroom well ventilated.

MANDATORY



▲Otherwise, it may cause fire or electric shock.



When removing the smart toilet main unit, be sure to disconnect the power.

MANDATORY

▲Otherwise, it may cause fire or electric shock.



Individuals with physical, sensory, or cognitive disabilities, or those lacking experience and knowledge of this product (including children), must use this product under the supervision of a responsible person. Children should not play with this product.

MANDATORY

▲Otherwise, it may cause burn, electric shock, fire, or injury.



Do not let cigarettes or other sources of fire get close to the product.

NO BURNING

▲Otherwise, it may cause fire.



When maintaining plastic parts (seat ring, seat cover, etc.) and water inlet hoses, please use kitchen detergent (neutral). Do not use the following items: toilet cleaner, household detergent, gasoline, benzene, washing powder, or nylon brushes. Otherwise:

PROHIBIT

▲It may damage plastic parts, causing cracks and resulting in personal injury or malfunction.

▲It may damage the water inlet hose and cause water leakage.



Do not forcibly impact the product. Do not place heavy objects on or stand on the seat ring, seat cover, or smart toilet main unit. Otherwise:

PROHIBIT

▲The product may crack, and the smart toilet main unit may detach and fall, causing personal injury.

▲Injury or indoor water seepage may occur due to product damage.



Do not use the smart toilet when its main unit is loose.

PROHIBIT

▲Otherwise, the smart toilet main unit may detach and fall, causing personal injury.



Do not use your hands to lift the smart toilet main unit by holding the seat ring or seat cover. Do not open the seat ring or seat cover when there are items on them.

PROHIBIT

▲Otherwise, the smart toilet main unit may detach and fall, causing personal injury.



Do not violently open or close the seat cover or seat ring, or swing the seat cover and seat ring quickly. Otherwise:

PROHIBIT

▲The flipping device may fail due to the powerful external force.

▲The main unit may break or detach from the toilet body due to powerful external force, causing personal injury.



Do not bend or damage the water inlet hose.

PROHIBIT

▲Otherwise, it may cause water leakage.



To prevent sudden water leakage, do not remove the filter in the t-valve when the shut-off valve is open.

PROHIBIT

- ▲ Otherwise, water may spray out.
- ▲ Please refer to the cleaning method for the water inlet filter described on page 33.



Please use the new hose component provided with the product. The old hose cannot be reused.

PROHIBIT

- ▲ Using the old hose component may result in water leakage or hose rupture.



When water leaks, be sure to turn off the shut-off valve.

MANDATORY



In order to prevent pipes or hoses from being damaged due to freezing, anti-freezing measures should be taken.

MANDATORY

- ▲ When the water inlet hose is frozen, it may damage the main unit of the smart toilet or the pipe and cause water leakage.
- ▲ If the room temperature is below 32°F/0°C, it is recommended to empty the water inside the product to prevent internal cracking due to freezing.



When the smart toilet is not used for a long time, be sure to drain the water from the smart toilet main unit and water inlet hose, and disconnect the power supply. When using it again, please first let the water flow through, and then use it. Otherwise:

MANDATORY

- ▲ It may cause skin inflammation due to water deterioration.
- ▲ If the power is always turned on, it may cause fire or heating.



When installing the water inlet filter, make sure to tighten it firmly to the correct position.

MANDATORY

- ▲ Otherwise, it may cause water leakage.



Do not use any paper other than toilet paper, and do not drop objects that may clog the drain into the toilet bowl.

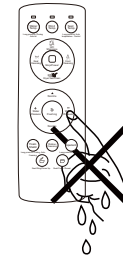
MANDATORY

- ▲ Otherwise, it may cause blockages in the ceramic pipes of the toilet.



Do not operate the remote control with wet hands, and do not spill water on the remote control.

PROHIBIT



- ▲ Otherwise, it may cause remote control malfunctions.



Do not put any solid substances or corrosive liquids into the water tank.

PROHIBIT

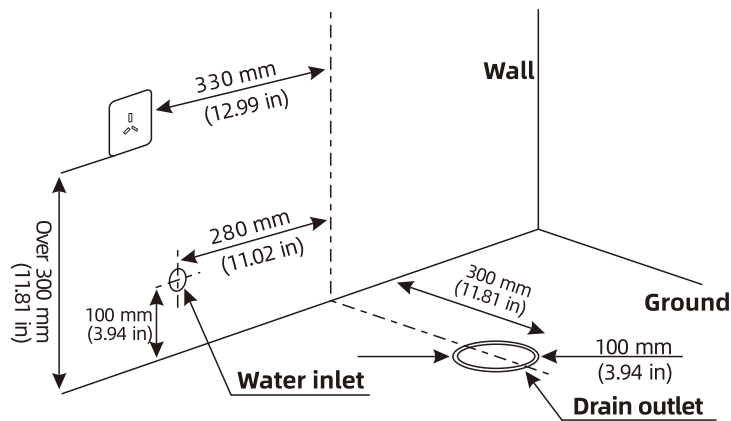
- ▲ Otherwise, it may cause blockages or corrosion of the flushing water pipe.

Installation Instruction

■ Installation of the Smart Toilet

1. Confirmation of installation environment

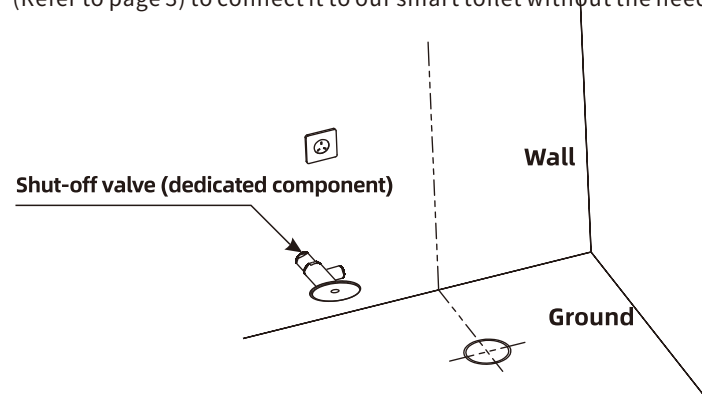
Before installation, please confirm that the bathroom wall and floor tiles have been completed, and that the sewage pipes, water pipes, and electrical circuits have been reserved as shown in the figure below. This toilet rough-in is 300mm (11.81in); Water inlet pressure range: 0.15Mpa (dynamic) - 0.75Mpa (static); water inlet temperature: 4°C-35°C (39.2°F-95°F).



2. Assembly of dedicated shut-off valve

Install the shut-off valve provided with the product.

- Note: If your existing shut-off valve has a 3/8" outlet, you can use our Spare Adapter (Refer to page 3) to connect it to our smart toilet without the need to replace the valve.



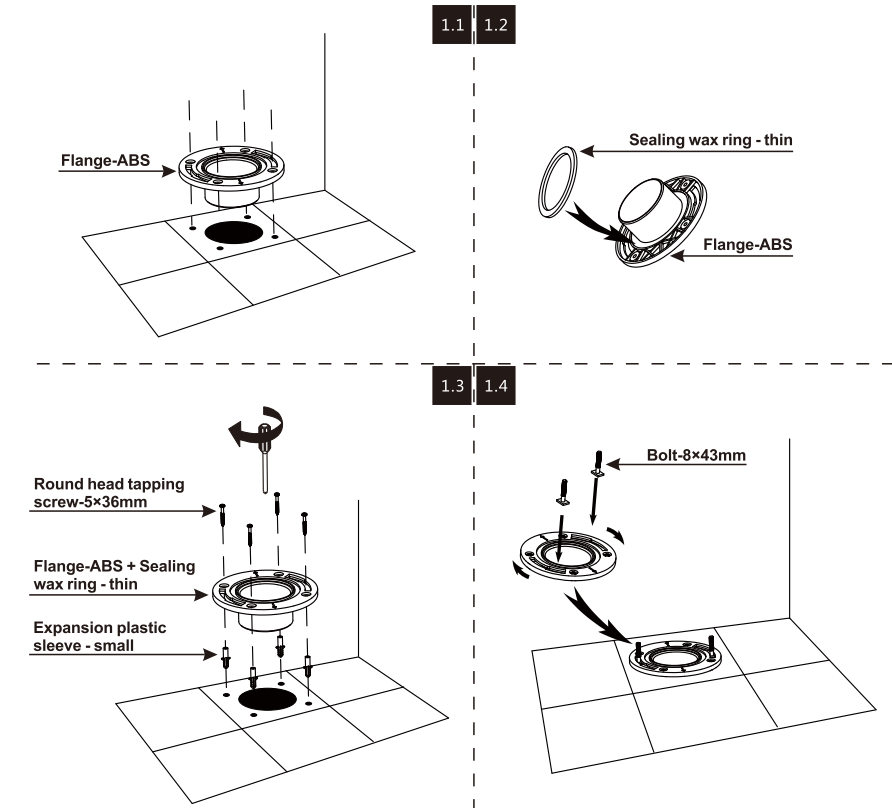
3. Installation and fixation of the toilet

<1.1> Align the "flange-ABS" on the ground drain outlet, adjust the "flange-ABS" arrow to point vertically to the wall, and mark the drilling position of the ground. Drill four holes in the ground according to the marks.

<1.2> Install "sealing wax ring-thin" at the bottom of "flange-ABS"

<1.3> Insert the "expansion plastic sleeve - small" completely into the small hole; Align the hole position and install "flange-ABS" and "sealing wax ring-thin"; Use "round head self tapping screw-5×36mm" to lock.

<1.4> Insert the "bolt-8×43mm" into the slot of "flange-ABS"; Adjust "bolt-8 x 43mm" to make the center line of the two bolts perpendicular to the arrow marked on the flange body.

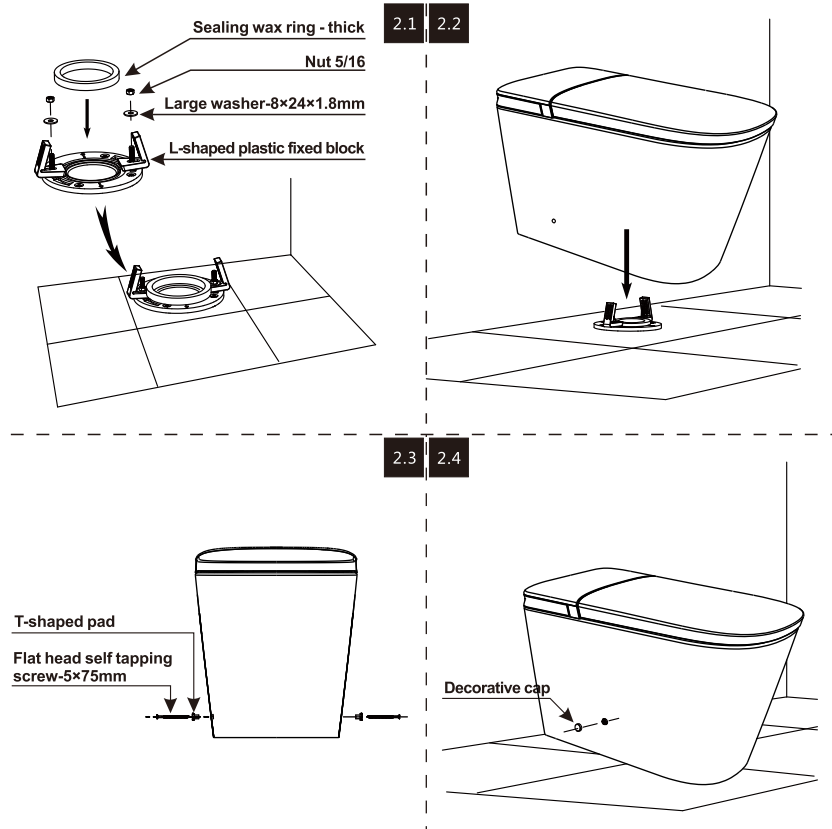


<2.1> Align the "sealing wax ring-thick" with the drain outlet and install it on the "flange-ABS". Insert two L-shaped plastic fixed blocks and gaskets into "bolt-7×43mm"; Then install the "large washer-8×24×1.8mm" and "nut 5/16" in sequence.

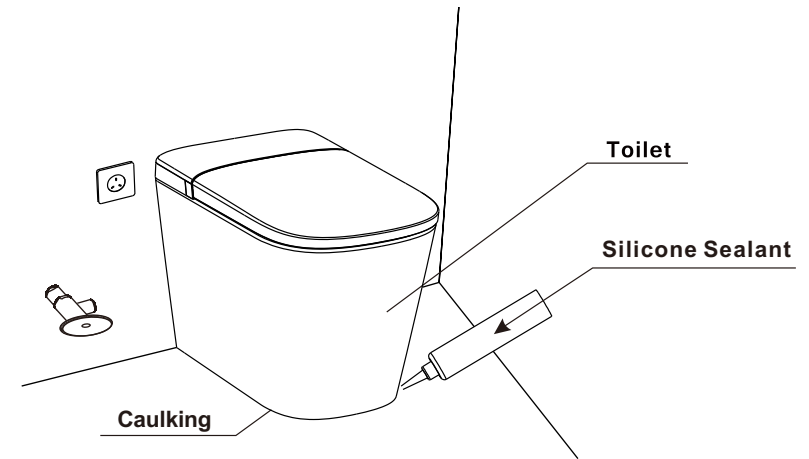
<2.2> Align the drain outlet of the intelligent toilet with the center of the flange for installation.

<2.3> Install the "T-shaped pad" on the small holes on both sides of the ceramic pan, and drive in the "flat head self tapping screw-5×75mm".

<2.4> Cover the "T-shaped pads" on both sides with the "decorative caps".



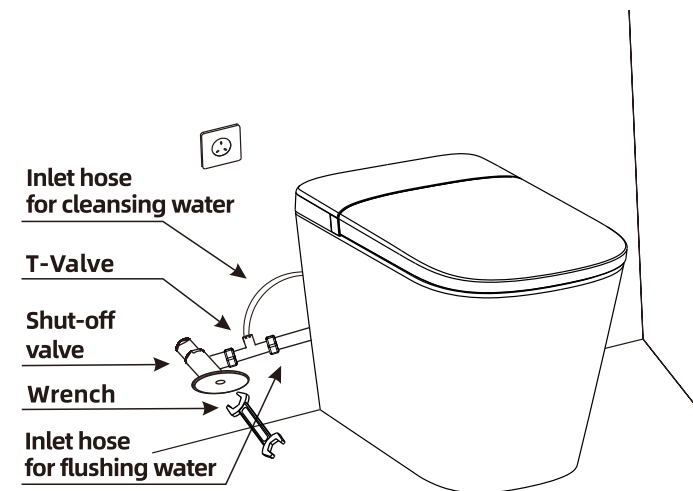
(3) Caulk the bottom of the toilet with silicone sealant.



4. Connection of the water inlet hose

Connect the inlet hose with the shut-off valve & t-valve by using tools like wrench.
(Valve Installation - Refer to Page 3 for Details)

● Notice: After installation, turn on the shut-off valve to check whether it leaks.



■ Installation of the Remote Control

1. Installation of remote control batteries.

Open the battery cover of the remote control and put two AAA alkaline batteries (batteries not included) into the remote control one by one.

- When installing the batteries, do not reverse the positive and negative sides of the batteries.
- Do not use different or different types of batteries at the same time.
- Remove the batteries when it is not in use for a long time.

2. Confirm the installation location of the remote control.

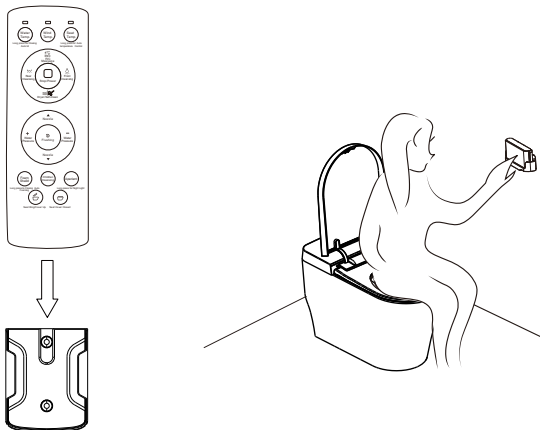
Install the remote control in a suitable area where it is easy to get or operate when user sit on the smart toilet.

3. Install the remote control bracket on the wall.

Peel off the protective tape of 3M adhesive on the back of the bracket and apply to the selected dry tile surface.

4. Install the remote control.

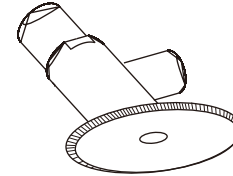
Align the remote control with the bracket, insert it from top to bottom, and the installation is completed.



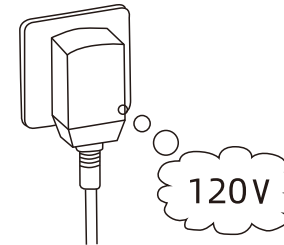
Preparation before Use

1. Open the shut-off valve

Turn the valve counterclockwise to fully open the water supply valve.



2. Plug the power plug into the outlet.



Plug the power plug into a 120V power outlet. The smart toilet will perform a self-check run once, and the main unit will be in standby mode.

- When performing a self-check, the toilet will automatically open and close the lid/ seat ring, and reset itself. It is forbidden to block it manually.
- Do not use wiring that exceeds the power supply specifications, such as an extension cord.
- The outlet must be reliably and safely grounded.

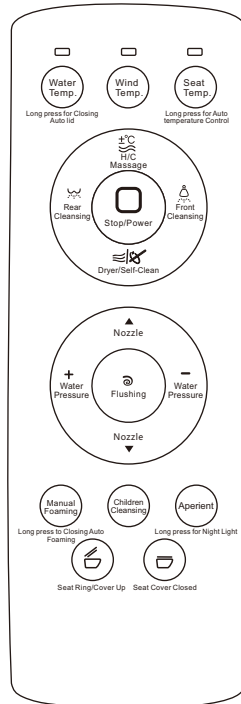
3. Adjust the cleansing water temperature and the seat temperature to the appropriate level.

4. Refer to Function Setting and Adjustment on Page 27 and use the remote control to operate various functions.

Panel Instruction

This product is designed primarily for remote control operation, with main unit panel operation as a supplement.

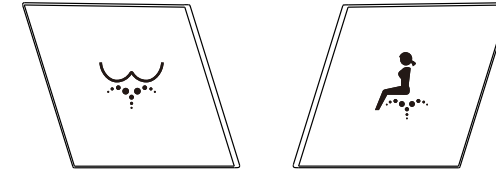
Remote Control Panel



Remote Control Pairing Instructions:

1. Press and hold the side "Rear Wash" button for 3 seconds. The display will flash once, accompanied by a beep.
2. Press and hold the side "Rear Wash" button again for 3 seconds. The display will start flashing, and the beeper will sound, indicating the system has entered pairing mode (the pairing mode will automatically exit after 15 seconds if no action is taken).
3. In pairing mode, briefly press the "Stop" button on the remote control. The display will stop flashing, and the beeper will stop sounding, indicating the pairing was successful.

Main Unit Control Panel

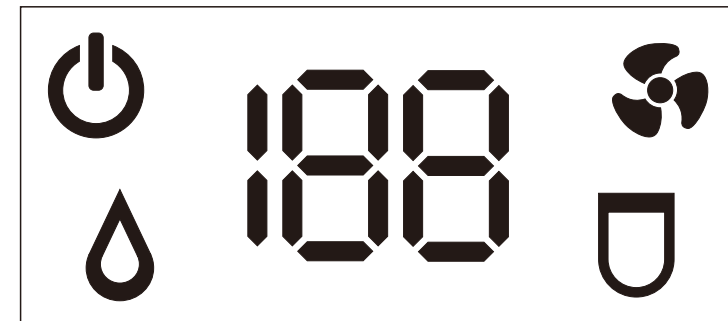


Rear Wash

Front Wash

- In the seat-off state, press the front wash or rear wash button to activate manual flushing.
- In the seated state, press the rear wash button to start the one-press rear wash mode, press again to enter drying mode. Press the front wash button to start the one-press front wash mode, press again to enter drying mode. Press and hold for 2 seconds to stop the function.

Main Unit Display Screen



- Power Indicator Light:** Lights up when the main unit is powered on.
- Temperature Level:** Displays the set temperature when the main unit is powered on.

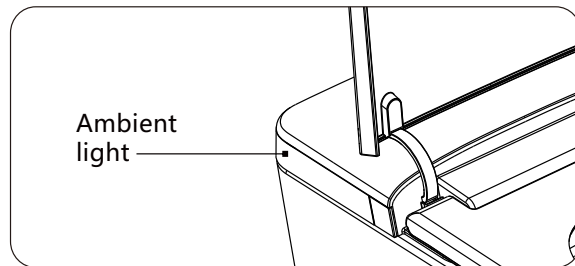
Air Temperature Icon: Lights up when the temperature level shows the air temperature setting.

Seat Temperature Icon: Lights up when the temperature level shows the seat temperature setting.

Water Temperature Icon: When the icon is lit, the temperature level displays the water temperature setting.

- The digital display shows the set temperature; every 30 seconds, it cycles through water temperature, seat temperature, and air temperature.
- When the user leaves the toilet's sensing area, the display screen automatically turns off after approximately 30 seconds.

◆ Main Unit Ambient Light



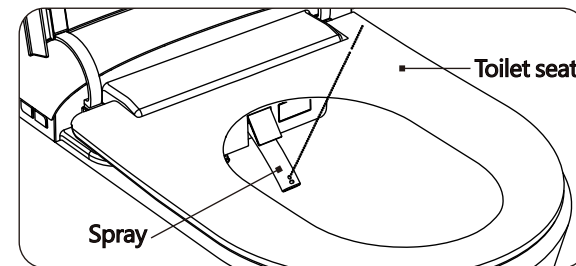
- Press and hold the nozzle position button on the remote control to turn the ambient light function on/off. When a user approaches the sensing area, the ambient light turns on, and it automatically turns off approximately 30 seconds after the user leaves the sensing area.

How to Use

■ When Sitting on the Seat

- Upon hearing the "beep" sound, the various functions of the smart toilet will start.
- The nozzle will clean itself automatically.

■ Start Rear Cleansing or Front Cleansing Function



- Start the rear cleansing or front cleansing function by the remote control.
- Adjust the cleansing position and water pressure by the remote control.
- Start the drying function by the remote control.
- Press "stop" button to stop the bidet function (rear cleansing, front cleansing or drying).

■ When standing up from the seat

- The toilet will auto flush once.

Function Setting and Adjustment

■ How to Turn On/Off the Radar Sensor Function

To turn this function on or off, press and hold Water Temperature button on the remote control for 5 seconds.

Note: When the radar sensor function is turned off, you can still use the foot kick to open the toilet lid and seat.

■ How to Adjust the Radar Sensor Distance

The radar sensor sensitivity on this model can be adjusted to control the detection range. By default, the sensor is set to level 7. You can reduce the sensitivity by lowering the level, which will decrease the detection range.

Adjustment Steps:

1. Turn off the power, then restart the smart toilet.
2. Within 30 seconds, press and hold the Feminine Wash button for 5 seconds to enter radar adjustment mode.
3. Press the Rear or Front button to adjust the radar sensitivity level.
4. Press the Stop button to confirm your selection.

■ Lid/Seat open

This product features an open lid and seat function. When a person approaches the toilet from the front, the foot sensor activates the open lid and seat function. You can also press the open lid and seat button on the remote control to open the lid and seat.

Foot Sensor Open Lid and Seat:

In the unseated state:

- When the seat and lid are in the low position, place your foot near the sensor area on the side of the toilet. The lid will open.
- When the lid is in the high position and the seat is in the low position, trigger the sensor again to open the seat.
- When both the lid and seat are in the high position, trigger the sensor again to close the lid and seat, and flush once (if the last operation already flushed, closing the lid will not flush again).

Remote Control Open Lid and Seat:

In the unseated state:

- Press the open lid and seat button on the remote control to activate the sequence: "Lid opens → Seat opens → Seat closes → Lid opens."
- Press the close button to lower both the seat and lid to the low position and flush once (if the last operation already flushed, closing the lid will not flush again).
- If both the seat and lid are already in the low position, pressing the close button will not trigger any action.
- **When the toilet is in operation (e.g., rear wash, feminine wash, flushing), the open lid and seat function will be temporarily disabled.**

■ Enema/Aperient

This product includes an enema function for bowel relief, using a single nozzle for effective cleansing.

- Press the Enema button on the remote control to activate the enema mode. Water will be sprayed from the single nozzle.
- While seated, press the enema button to start the function. The main unit will emit a "beep" sound to indicate activation. You can press the stop button to end the function at any time.
- In enema mode, the water pressure is fixed. The nozzle position and water temperature are adjustable.

■ Rear Wash

This product features a rear wash function using a single nozzle for powerful cleaning.

Press the rear wash button on the remote control to activate the back-and-forth washing mode (nozzle moves back and forth), spraying water from the single nozzle.

In the rear wash state, press the nozzle position button on the remote control to switch to a fixed washing mode (nozzle stops moving). You can alternate between the two modes as needed.

- The rear wash function lasts for approximately 3 minutes and stops automatically. During the 3 minutes, you can switch to another function or press the stop button to end the cycle.

- The nozzle will automatically clean itself before and after the rear wash cycle.

■ Feminine Wash

This product features a feminine wash function, providing gentle cleansing with a dedicated nozzle for women.

- Press the Feminine Wash button on the remote control to activate back-and-forth cleansing mode (nozzle moves back and forth), releasing water from the dedicated feminine nozzle.
- During feminine wash mode, press the nozzle position button on the remote control to switch to fixed cleaning mode (nozzle stops moving). You can alternate between the two modes.
- The feminine wash function automatically stops after approximately 90 seconds. Within this 90-second period, you can switch to another function or press the stop button to end the cycle.
- The nozzle automatically cleans itself before and after the feminine wash cycle.

■ Wash Water Pressure Adjustment

In rear wash or feminine wash mode, press the wash intensity buttons (+/-) to adjust the water pressure according to your preference.

- There are 4 water pressure levels to choose from. When pressing the wash intensity buttons, the water pressure adjustment function is activated, allowing you to set your desired level.

■ Wash Nozzle Position Adjustment

In rear wash or feminine wash mode, press the nozzle position buttons (▲/▼) to move the nozzle forward or backward and adjust the cleaning position.

- There are 5 cleaning positions to choose from. When pressing the nozzle position buttons, the nozzle adjustment function is activated, allowing you to set the desired cleaning position.

■ Wash Water Temperature Adjustment

In rear wash or feminine wash mode, press the wash water temperature buttons (+/-) to adjust the water temperature to a comfortable level according to your preference.

■ Wash Water Temperature Adjustment

Press the Water Temperature button on the remote control, and the main unit will emit a "beep" sound to enter the water temperature setting mode. Adjust to the desired water temperature.

- There are 4 adjustable temperature levels: room temperature, high, medium, and low. Each press of the water temperature button switches to the next level.

■ Hot and Cold Massage

Press the Massage button on the remote control, and the water temperature alternates between hot and cold. The transition follows the set temperature levels. If the set temperature is room temperature, it alternates between the room temperature level and the set level.

■ Child Wash

Press and hold the Child Wash button on the remote control to activate child wash mode.

- Child wash does not require the user to be seated. It enters child wash mode, automatically adjusting the nozzle position, water temperature, and water pressure.

■ Drying Function

Press the Drying/Self-Cleaning button on the remote control to activate the drying function. The drying function focuses on drying the cleaned and wet areas.

- The drying function automatically stops after approximately 3 minutes. Within this 3-minute period, you can switch to another function or press the stop button to end the cycle.

■ Drying Temperature Adjustment

Press the Air Temperature button on the remote control, and the main unit will emit a "beep" sound to enter the air temperature setting mode. Adjust to the desired air drying temperature.

- There are 4 adjustable temperature levels: room temperature, high, medium, and low. After activating the drying function, press the drying button again to switch to the next temperature level.

■ Seat Temperature Adjustment

Press the Seat Temperature button on the remote control, and the main unit will emit a "beep" sound to enter the seat temperature setting mode. Adjust to the desired seat temperature.

- There are 4 adjustable temperature levels: room temperature, high, medium, and low. Each press of the seat temperature button switches to the next level.

■ Night Light

This product is equipped with a night light function, making it convenient for nighttime use.

- Press and hold the Night Light button on the remote control to turn the night light on or off. The soft light will illuminate or turn off accordingly.

■ Nozzle Self-Cleaning

Press and hold the Drying/Self-Cleaning button on the remote control, and water will flow continuously through the nozzle for cleaning.

- Nozzle self-cleaning is only effective when no one is seated.
- The nozzle self-cleaning cycle lasts for approximately 90 seconds. You can press the stop button to end the cleaning cycle at any time.

■ Power Button

Press and hold the Power/Stop button on the remote control to shut down the main unit system.

■ Remote Flush

Flush the toilet by pressing the Flush button on the remote control. This will activate a single flush.

- If flushing is performed while the washing function is active, the washing function will stop.

■ Manual Flush

When not seated, press the Rear Wash or Feminine Wash button on the main unit to activate a manual flush.

- If flushing is performed while the washing function is active, the washing function will stop.

■ Foot-Sensor Flush

Specially designed for men's convenience during urination. Without the need to bend down to find the button, lightly tapping the foot sensor will activate the flush (when the seat is in the raised position).

Capacitive Foot-Sensing Technology: This product uses capacitive sensing technology. Lightly tap the sensor area near the ceramic base with your foot to activate the function. The system will deactivate when your foot leaves the area.

■ Enema / Aperient

This product includes an enema function for bowel relief, using a single nozzle for effective cleansing.

- Press the Enema button on the remote control to activate the enema mode. Water will be sprayed from the single nozzle.
- While seated, press the enema button to start the function. The main unit will emit a "beep" sound to indicate activation. You can press the stop button to end the function at any time.
- In enema mode, the water pressure is fixed. The nozzle position and water temperature are adjustable.

■ Power-Outage Flushing

In the event of a power outage, press and hold the Feminine Wash button on the main unit for 3 seconds to activate the power-outage flushing function.

■ Smart Seat Temperature

The main unit defaults to smart seat temperature mode, automatically adjusting the seat temperature according to seasonal indoor temperatures.

- Press the Seat Temperature button on the remote control to cancel the smart seat temperature mode.
- Press and hold the Seat Temperature button for 3 seconds to re-enter smart seat mode or restore the smart seat temperature after a power reset.

■ Foam Shield

- Manual Activation: Press the Foam Shield button on the remote control to activate foam generation once.
- Automatic Activation: Foam is automatically generated once you are seated.
- Press and hold the Foam Shield button on the remote control for 3 seconds to turn the automatic foam function on or off.

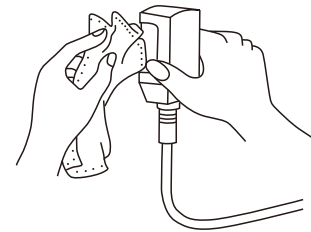
■ Blue Toilet Cleaner Tablets Function

- Activated Mode: During the refill stage of each flushing cycle, blue cleaning liquid is mixed with water in the toilet bowl.
- Automatic Blue Cleaner Setting: Press and hold the Air Temperature button on the remote control for 5 seconds, and the main unit will emit two "beep" sounds to turn the blue toilet cleaner function on or off.

Cleaning and Maintenance

■ Clean and Maintain the Power Plug

Please clean the power plug regularly. When cleaning, remove the power plug from the outlet and wipe it with a dry cloth.



- Dust accumulation on the power plug may cause fire.

■ Clean and Maintain the Main Unit of the Smart Toilet

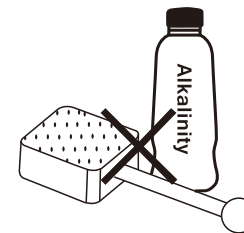
When cleaning the surface of the main unit, please wipe it with a soft, wet cloth.

- When cleaning and maintaining the smart toilet main unit, please pull the power plug out of the outlet to avoid any contact with water.
- If the surface has stubborn stains, you can use a soft, wet cloth with neutral kitchen detergent to clean it.


■ Clean and Maintain the Ceramic Part of the Smart Toilet

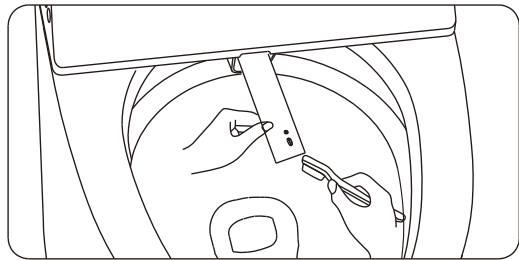
You can pour a neutral toilet cleaner onto a soft brush or sponge and use it to clean the ceramic part of the smart toilet. Rinse the area with tap water after cleaning.

- Do not use detergents or disinfectants that contain chlorine or are acidic.
- Do not use brushes that contain abrasive materials.

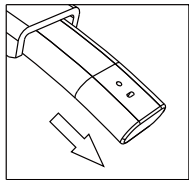


■ Clean and Maintain the Nozzle

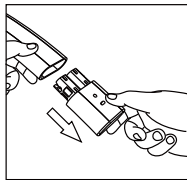
In the normal operating status, please press the Dring / Self cleaning button  on remote control, the nozzle will stretch out and auto-clean. You could use the tooth-brush to clean it at the same time. Please do not stretch the nozzle by force.



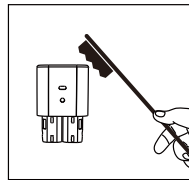
◆ Detachable nozzle model cleaning method.



1. Press the button of self-cleaning on remote control to extend out the nozzle.



2. After the nozzle is extended, pull out the front nozzle with hand.

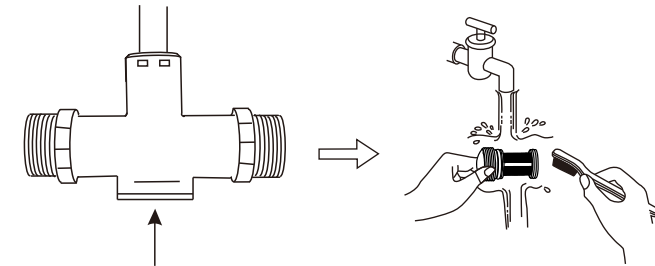


3. Use a toothbrush to clean the nozzle.

■ Clean and Maintain the Water Inlet Filter in the T-Valve

- Turn off the shut-off valve first to stop water supply.
- Remove the lock and the filter from the t-valve.
- Clean the filter with a brush or running water.
- Reinstall the filter. Make sure to screw it back in securely and not to leave behind the lock.

- Once the filter is cleaned and reinstalled, turn on the supply valve and check for any leaks. If there are any leaks, please double-check and reinstall the filter as needed.



Remove the Lock and the Filter

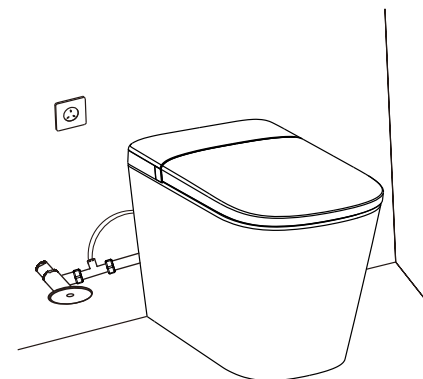
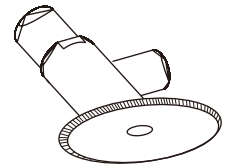
■ When not in use for a long time

When not using this product for a long time, please be sure to drain all the water from the smart toilet and use a dry towel to absorb any remaining water to prevent water deterioration and freezing. Also, turn off the power and remove the battery from the remote control

(1) Close the shut-off valve and stop the water supply.

(2) Unplug the power plug from the outlet.

(3) Remove the water hose from the shut-off valve, drain the water from the hose, and then reinstall it.



- When using again, open the shut-off valve, plug the power plug back into the outlet, turn on the power to use.

■ When Freezing Occurs

In cold seasons, the smart toilet may be damaged due to internal freezing. To prevent freezing, keep the power connected and perform the following operations:

- (1) Set the seat temperature and water temperature to the highest setting.
- (2) If the water hose inside freezes and causes the spray water to be blocked and unable to be ejected, please use a cloth soaked in warm water to warm up the water hose and slowly thaw it. You can also turn on the heater to warm up the room and let it thaw on its own.

■ When Condensation Appears

Due to the difference in temperature and humidity between bathroom and the ceramic parts/surface of the smart toilet, water droplets (condensation) may appear on the ceramic parts and surface of the main unit. Please ventilate the bathroom sufficiently to avoid condensation.

- When condensation appears, wipe it with a dry cloth.

■ Replacing the Remote Control Battery

When the remote control becomes unresponsive or the indicator light does not light up, please replace the battery with a new one.

- When installing the battery, do not reverse the positive and negative poles.
- Do not use batteries of different ages or different types at the same time.
- When not in use for a long time, be sure to remove the battery.

Troubleshooting

Some malfunctions can be resolved by simple operations. Please confirm the following items before authorizing a professional to repair the product.

Problem		Possible Reason	Solution
Press the power button and it does not work (the ambient light is not on).		Is the power outlet powered on?	Please confirm whether there is a power failure or whether the circuit breaker has tripped.
		Is the power plug switch in the off position? (Is the power plug indicator light off?)	Press the reset button on the power plug to light up the indicator light.
		Is the power plug plugged in properly?	Reconnect the power plug and insert it completely.
The remote control is insensitive or unresponsive.		Is the remote control battery dead?	Replace with a new battery.
The seat temperature, water temperature, and drying temperature are not hot enough.		Are the temperature settings appropriate?	Use the remote control to set the corresponding temperature.
The button does not respond.		During normal operation, some buttons may not respond.	Some operations cannot be performed simultaneously (such as flushing during cleansing). Please read this manual carefully.
The nozzle does not spray water or the water pressure is weak.	Alarm sound occurs.	Is the tap water turned off?	Wait for the tap water supply to be restored.
		Is the water supply valve open?	Turn on the water supply valve.
		Is the filter clogged?	Clean the filter.
	No alarm sound.	Is the water pressure too low? Is the water pressure setting on the remote control at the lowest level?	Press the button  to increase the water force.
		After sitting down, did you hear the prompt tone "beep"? Are you sitting within the effective range of the sensor?	Please sit on the seat and adjust to an appropriate sitting position.
Radar sensing doesn't work or doesn't work as expected.		Is the radar sensing too sensitive?	It is recommended to restart or turn off the radar sensing function. (Refer to page 29 for instructions.)

Warranty

Warranty Period: One year from the date of purchase.

What's Covered:

This product is warranted to be free of defects in materials and workmanship for one year. During the warranty period, if any defects or malfunctions occur, we will provide free replacement parts to ensure your satisfaction.

Note: This warranty is limited and does not cover damage caused by improper use, or maintenance.

Caution

● Prohibited Cleaners:

Do not use cleaners containing abrasive materials, ammonia, bleach, acids, waxes, alcohol, solvents, or any other products not recommended for chrome finishes. Doing so may damage the product and void the warranty.

● Proper Use and Maintenance:

Ensure the product is used and maintained according to the user manual. Failure to follow these instructions may result in damage not covered under warranty.

Function List

CONFIGURATION FUNCTION	ZYC8A
Auto Lid	●
Foot Sensor to Open the Lid	●
Built in tank	●
360° Foam Shield	●
Blue Toilet Cleaner Tablets Function	●
Aperient	●
H/C Massage	●
Rear Cleansing	●
Rear Cleansing with Nozzle Oscillation	●
Front Cleansing	●
Front Cleansing with Nozzle Oscillation	●
Cleansing Strength Adjustment	●
Cleansing Position Adjustment	●
Cleansing Water Temperature Adjustmengt	●
Warm Air Drayer	●
Seat Sensor	●
Seat Ring Temperature Adjustment	●
Remote Control	●
Off Seat Auto Flush	●
Foot Sensor Flush	●
Flush by Remote Control	●
Flush by Side Knob	●
Night Light	●
Nozzle Cleaning	●
Nozzle Auto Cleaning	●
Power Outage Flush	●

● Indicates this product contains the function, blank indicates no function.

Remarks : The function of different items may be different from the above list , detailed function is in accordance with the actual product.

Product Specification

Rated Voltage	120V~ 60Hz	
Rated Power	1200W (water intake temperature of 59°F [15°C (±1°C)], water pressure of 0.24MPa, maximum level for front cleansing)	
Power Cord Length	1.2M	
Water Pressure Range	0.15MPa (dynamic pressure) ~ 0.75MPa (static pressure)	
Flush Water Consumption	1.03 gallons per flush (Less than 4.0L)	
Cleansing Water Consumption	Less than 13.5oz/min (Less than 0.4L/min)	
Energy Consumption per Unit Cycle	Less than 0.03kWh	
Overall Unit Waterproof	IPX4	
Product Dimensions	LWH: 27.83*15.31*17.951in (707*389*456mm)	
Product Weight	101.4 lbs (46KG)	
Bidet Function	Water Heating Method	Instantaneous Heating
	Water Pressure	4-level adjustable
	Water Temperature	Room Temperature, Level 1 (95°F), Level 2 (98.6°F), Level 3 (102.2°F) Sensor, Temperature Switch
	Maximum Power for Water Heating	1600W
	Safety Device	Temperature Sensor, Temperature Switch
Heated Seat Ring	Heating Power	40W
	Seat Ring Temperature	Room Temperature, Level 1 (95°F), Level 2 (98.6°F), Level 3 (102.2°F) Sensor, Temperature Switch
	Safety Device	Temperature Sensor, Thermal Fuse
Drying Function	Wind Speed	Greater than 8.9 mph (Greater than 4m/s)
	Heating Power	270W
	Wind Temperature	Room Temperature, Level 1 (95°F), Level 2 (113°F), Level 3 (131°F)
	Safety Device	Resettable Thermal Protector, Temperature Fuse

Notes: The rated power and performance specifications are based on the following test conditions:

- Ambient Temperature: 73.4°F ± 3.6°F
- Inlet Water Pressure: 0.24MPa ± 0.02MPa
- Inlet Water Temperature: 59°F ± 0.9°F

The maximum water flow (e.g., feminine wash mode), maximum seat temperature, and maximum water temperature were measured under these conditions. Average power consumption for cleansing and drying functions was calculated over a 1-minute usage cycle.

Acceptance Record

After the installation is complete, please test run the toilet and fill out the record sheet with the results:

Acceptance Item	Acceptance Result
Is the power outlet AC 120V±10%, load ≥700W?	
Is the power outlet loose, or is the power connection in bad contact?	
Is each accessory securely connected without water leakage?	
Is the toilet's ambient light on?	
Is the bidet nozzle leaking?	
Is the "flip" function of the lid/seat working properly?	
Is the "rear cleansing" function working properly (including levels adjustment)?	
Is the "front cleansing" function working properly (including levels adjustment)?	
Is the "oscillating cleansing" function working properly (including levels adjustment)?	
Is the "water temperature" working properly (including temperature adjustment)?	
Is the "seat ring temperature" working properly (including temperature adjustment)?	
Is the "nozzle cleaning" function working properly?	
Is the remote control working properly?	
Is the manual and automatic flushing function working properly?	
Is the "drying" function working properly (including levels adjustment)?	
Remark:	
Retailer:	Installation personnel: Acceptance tester: Date: