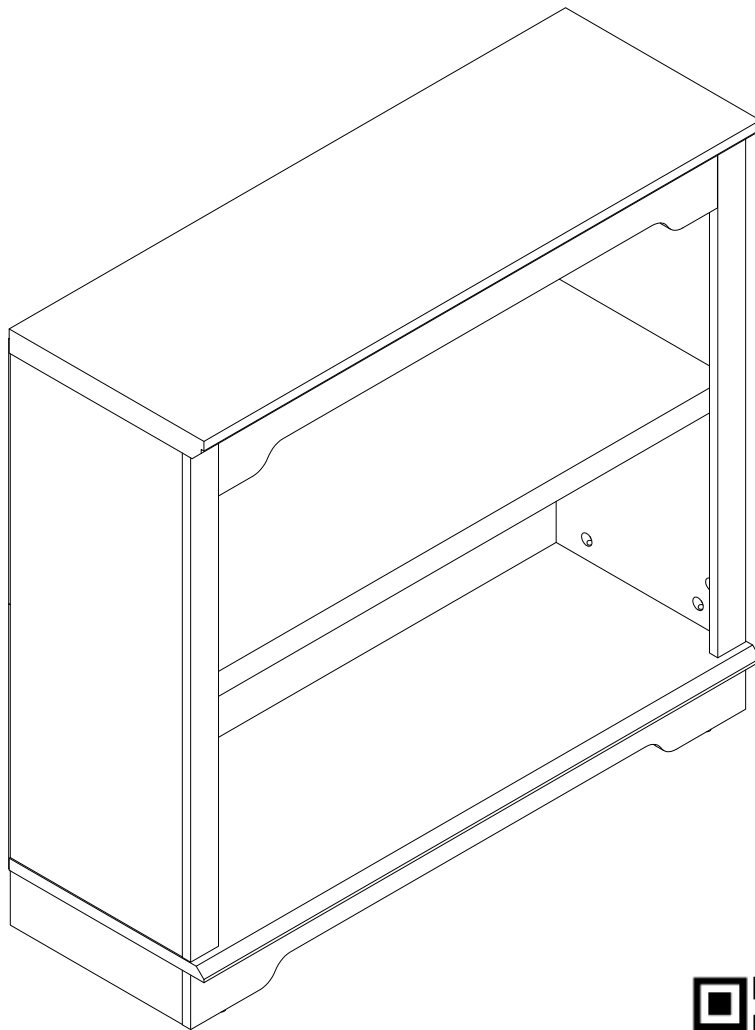


User Manual

Bookcase



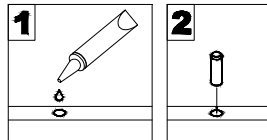
FHBC02-2 Assembly Instructions

Warm Tips:

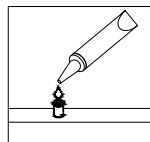
The assembly process is both challenging and fun. Please be patient and follow the instructions STEP BY STEP. You will feel exactly proud of yourself when you finish!

General Assembly Guidelines

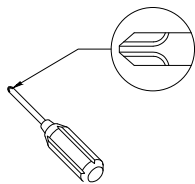
- I .Please ensure that all parts and hardware are available before assembly.
- II . Follow each step carefully to ensure the proper assembly of this product.
- III. For ease of assembly, two people are recommended to assemble this product.
- IV. The three main types of hardware are: wood dowels , screws and bolts.
- V. The glue is to secure wood dowels in place. When first inserting dowels, locate the appropriate hole for the dowel, and place a small amount of glue in the hole then insert the dowel. Please remember wipe away the excess glue immediately.



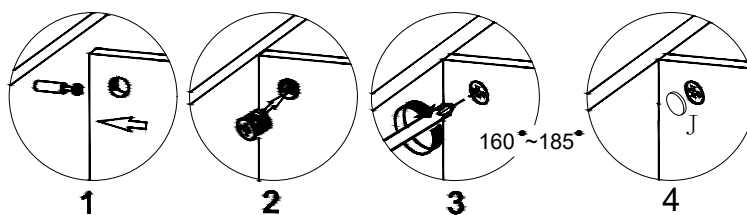
The dowels are necessary to attach assembly parts together in the following steps. Place a small amount of glue on the end of the dowel before attaching parts together. Please remember wipe away the excess glue immediately.



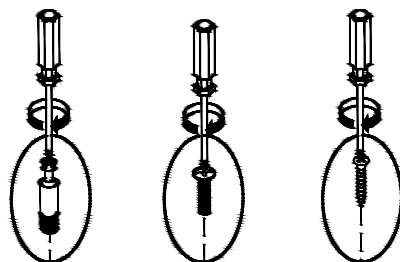
VI. A Phillips head screwdriver is required for the assembly of this product.



VII.Steps for assembly of three-in-one screws.

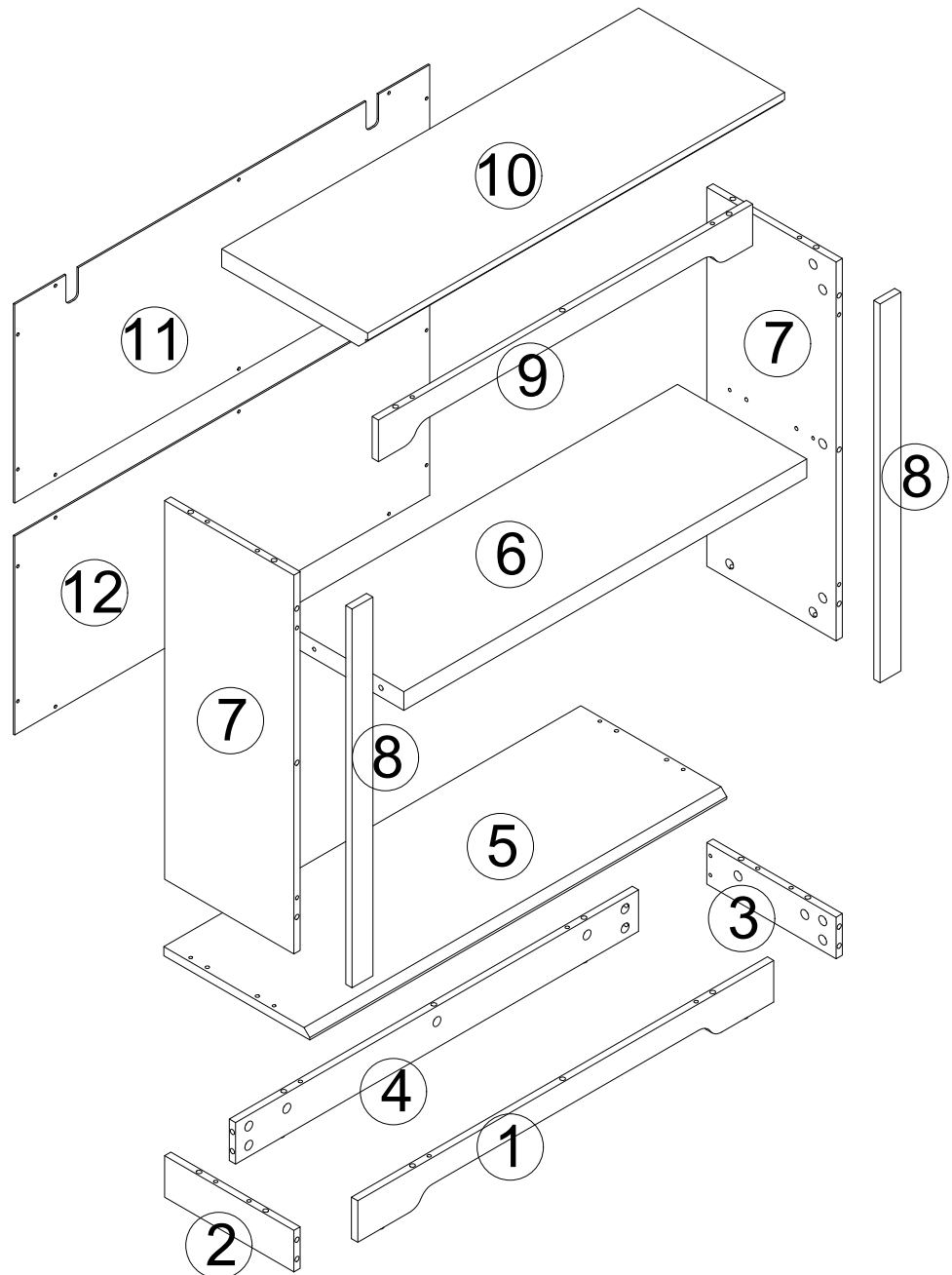


VIII.Screw fixation diagram for all fittings.

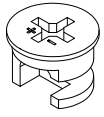


Parts List

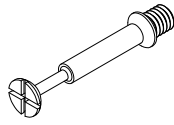
- ① x 1
- ② x 1
- ③ x 1
- ④ x 1
- ⑤ x 1
- ⑥ x 1
- ⑦ x 2
- ⑧ x 2
- ⑨ x 1
- ⑩ x 1
- ⑪ x 1
- ⑫ x 1



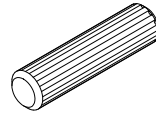
Hardware List



Ø15
A x 39+3pcs



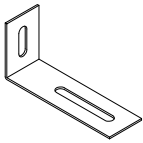
B x 39+3pcs



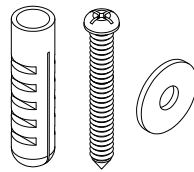
Ø6*30mm
C x 26+2pcs



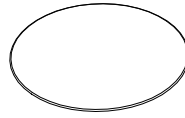
Ø3.5*16mm
D x 22+2pcs



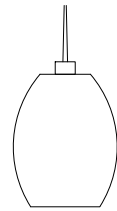
E x 2pcs



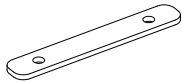
F x 2pcs



G x 39+3pcs



H x 1pc

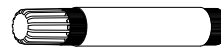


I x 2pcs



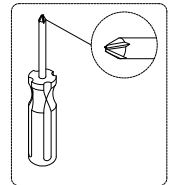
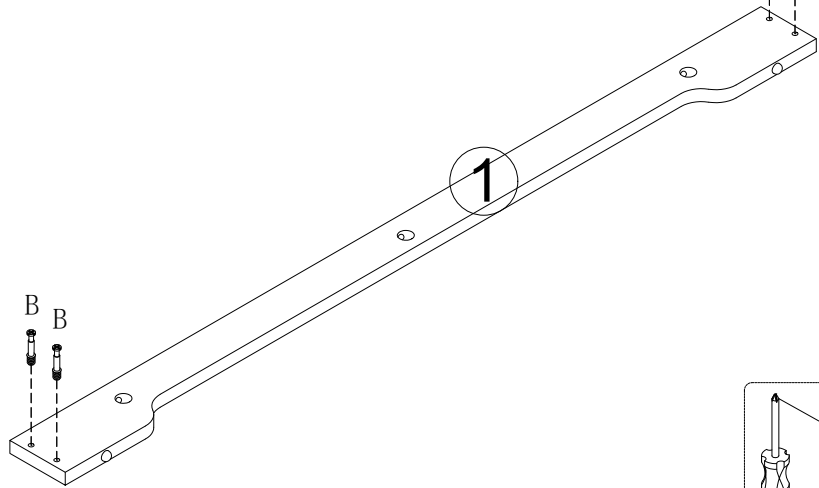
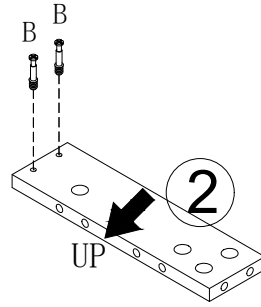
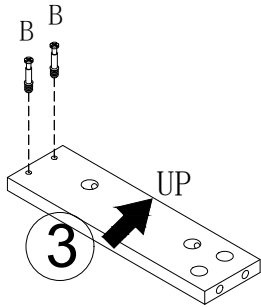
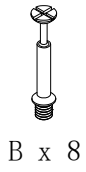
ST3.5*12mm

J x 4pcs

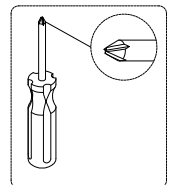
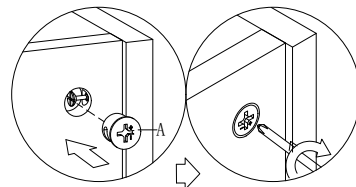
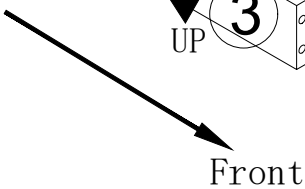
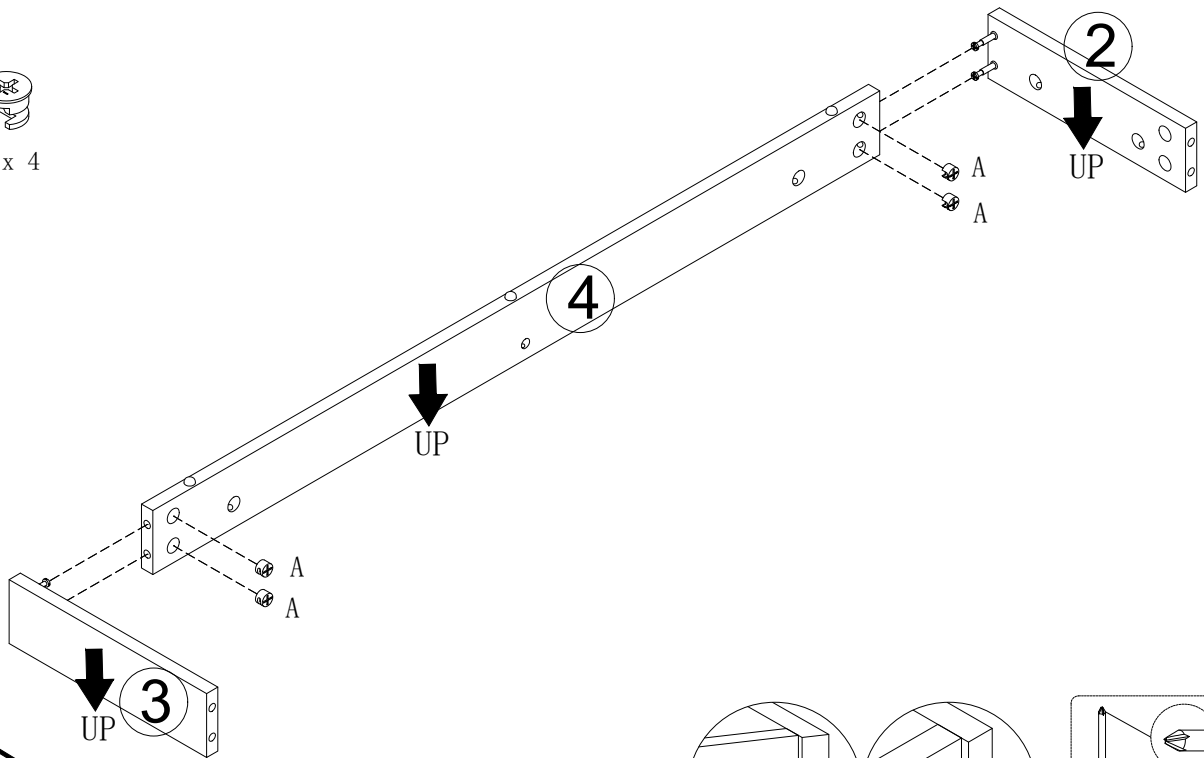


x 1pc

STEP#1



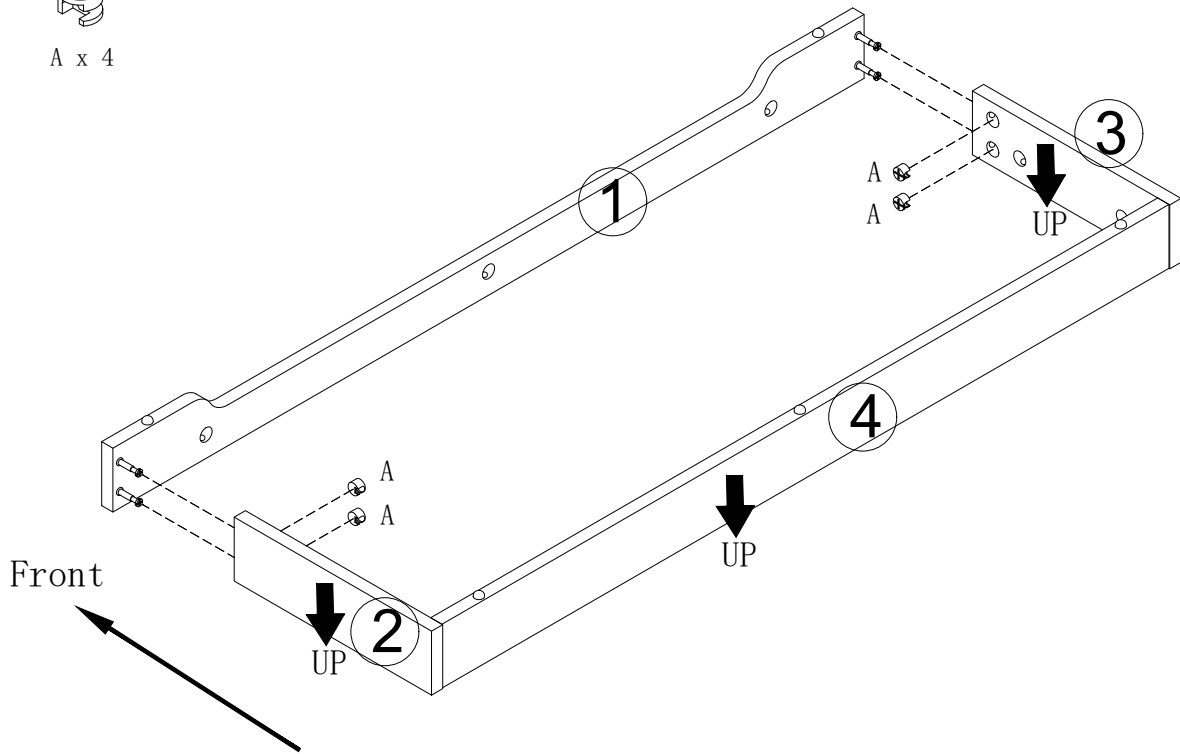
STEP#2



STEP#3



A x 4



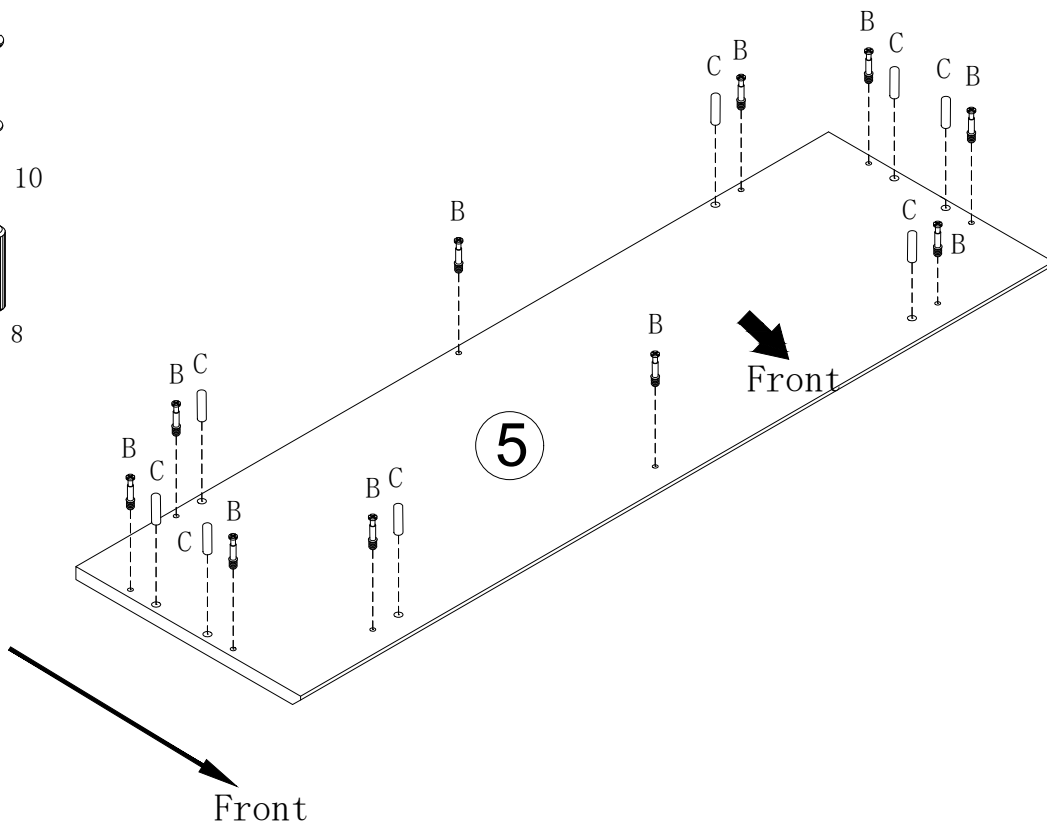
STEP#4



B x 10



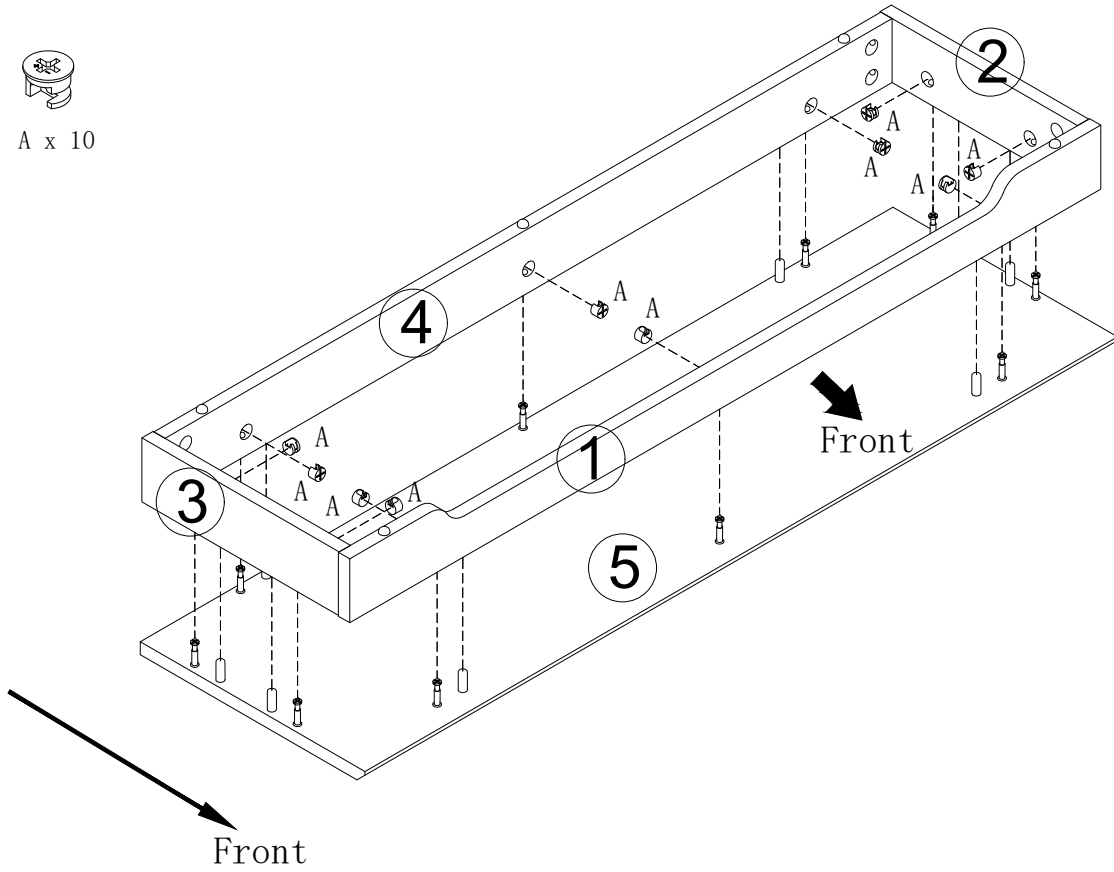
C x 8



STEP#5



A x 10



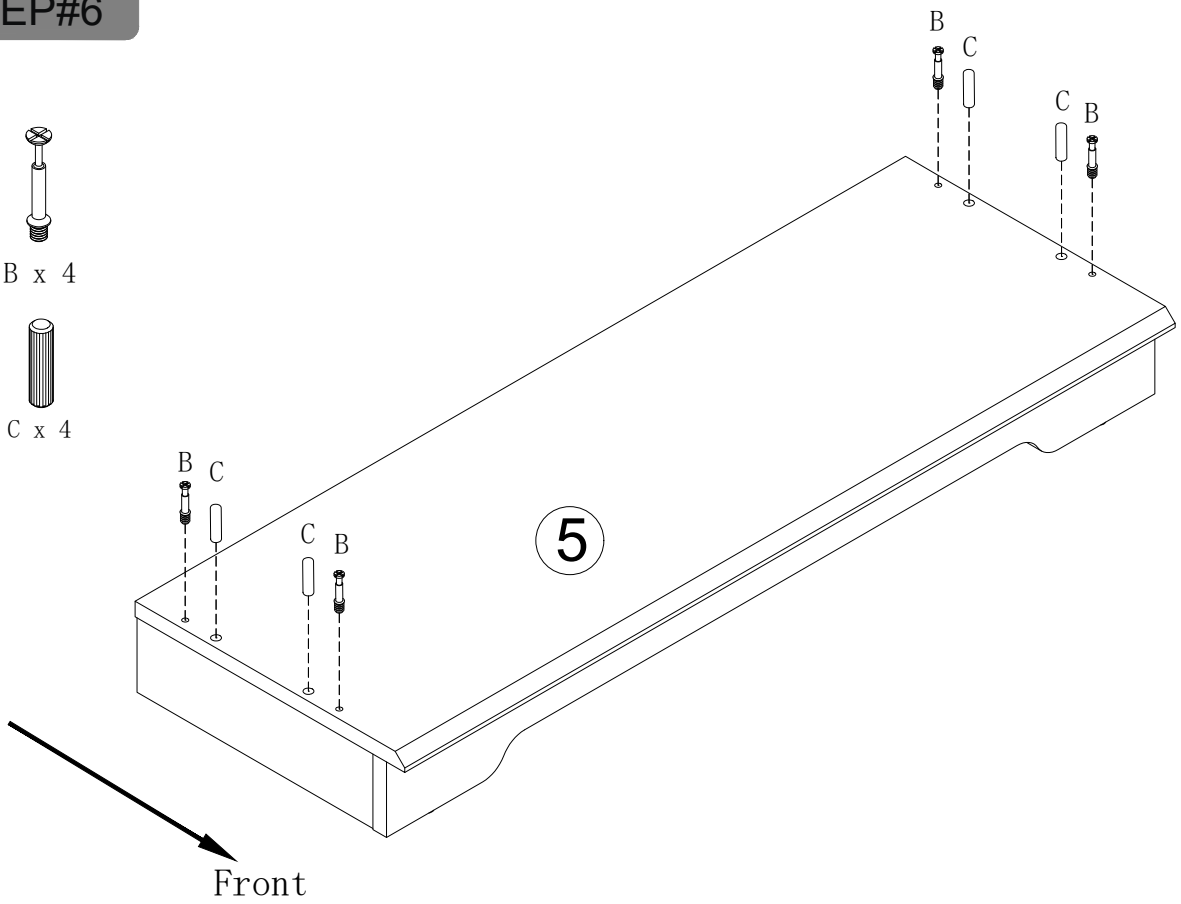
STEP#6



B x 4



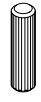
C x 4



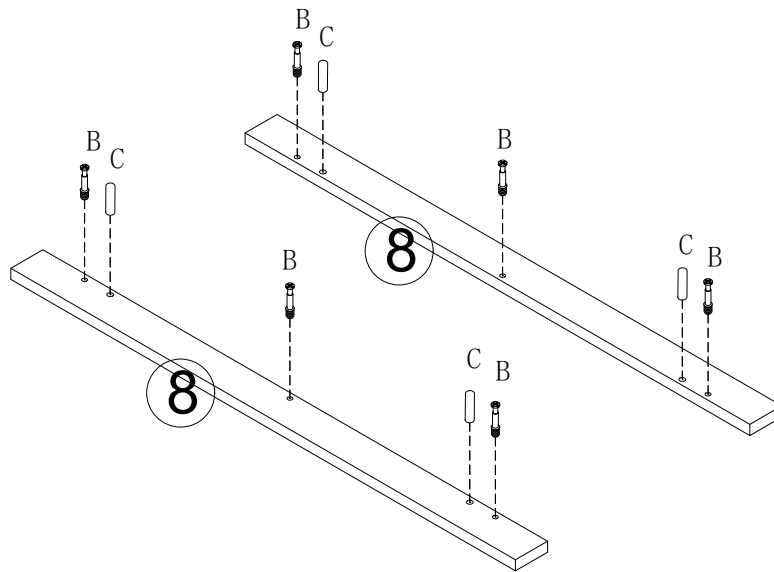
STEP#7



B x 6



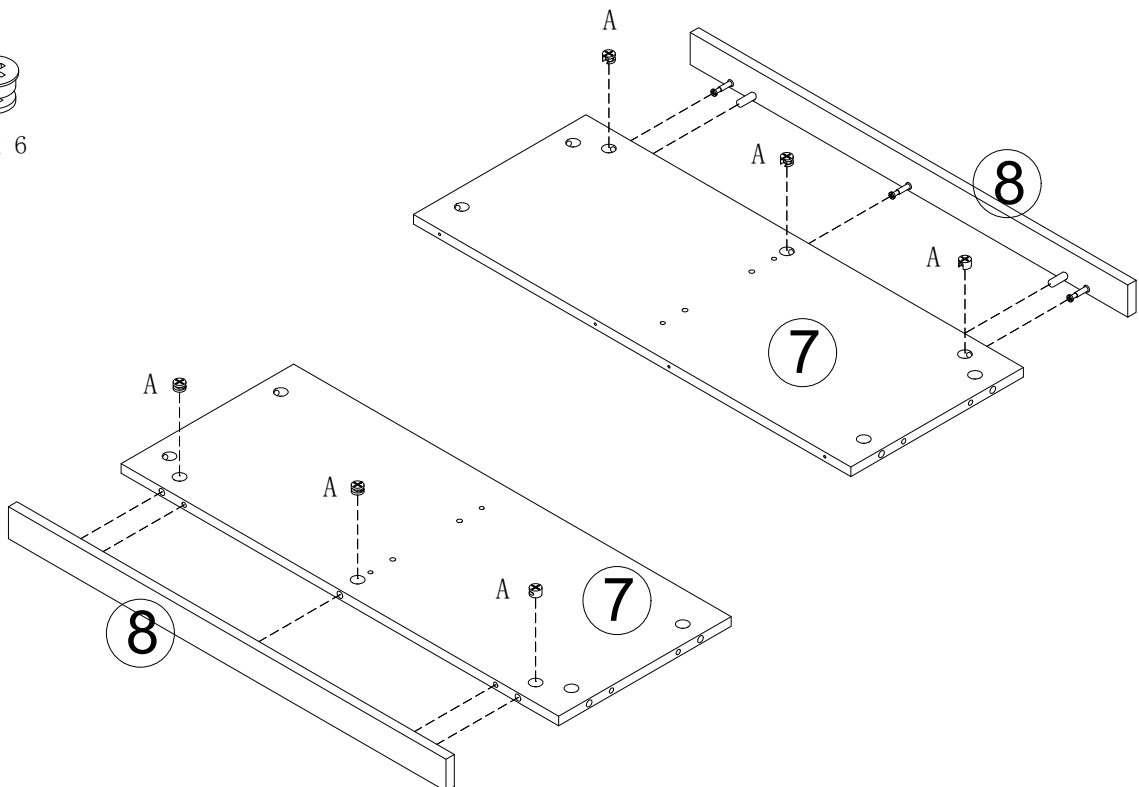
C x 4



STEP#8



A x 6



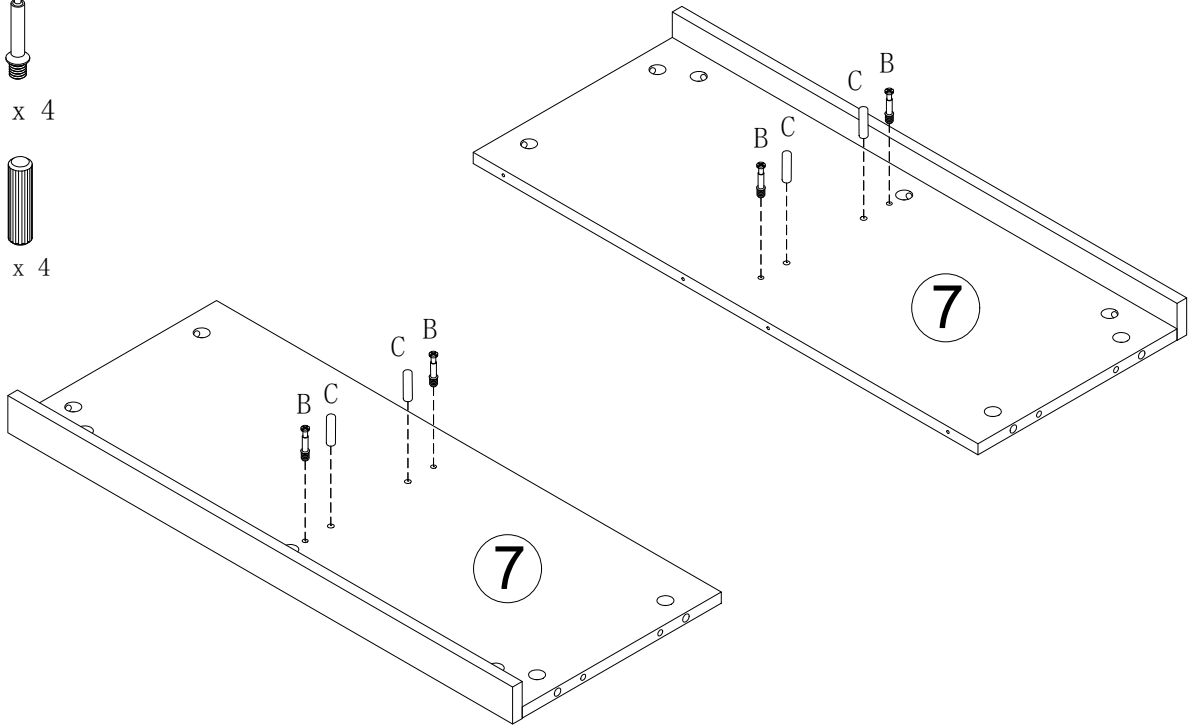
STEP#9



B x 4



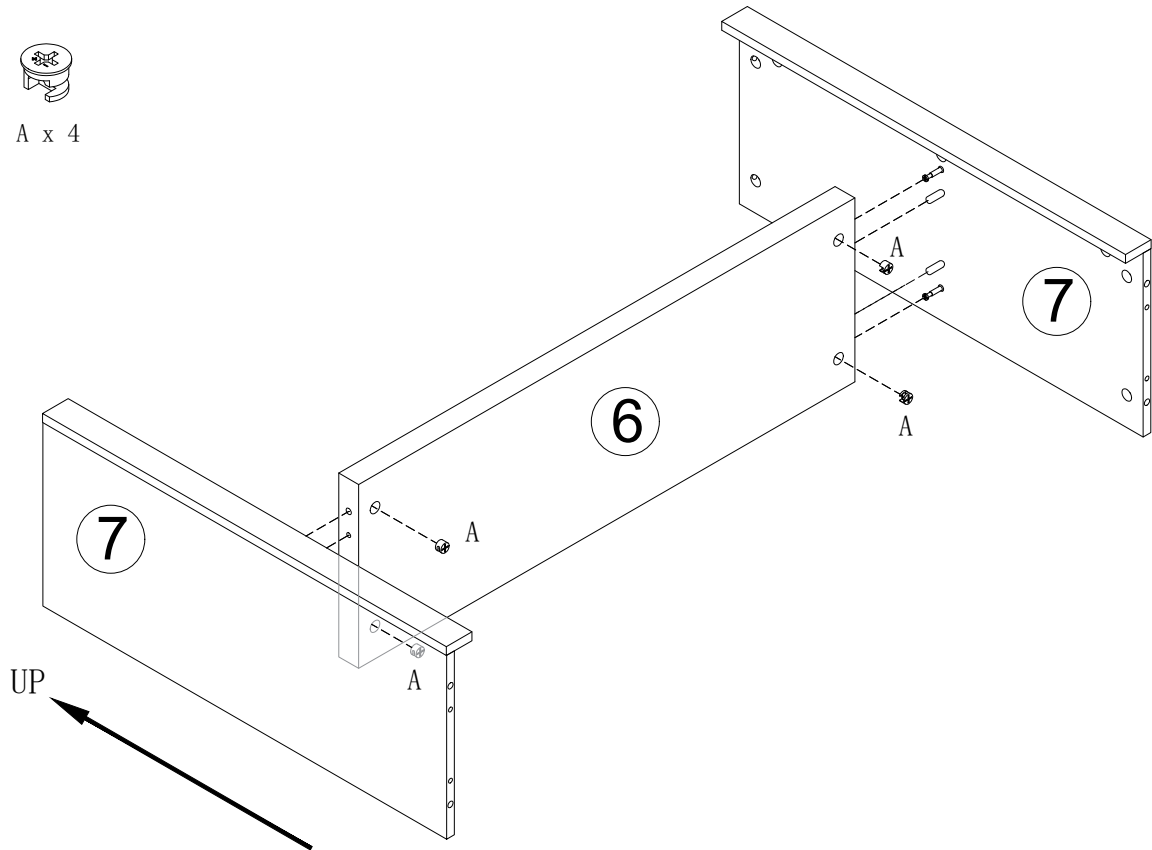
C x 4





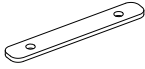

STEP#10

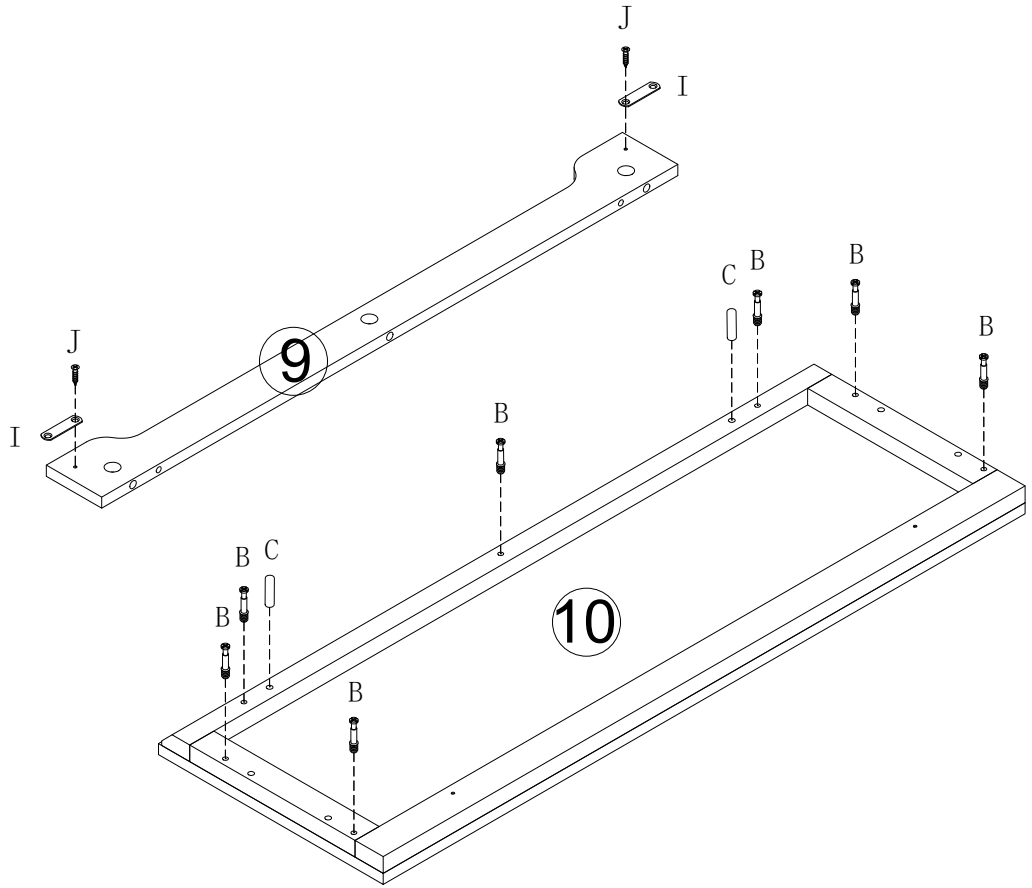


A x 4



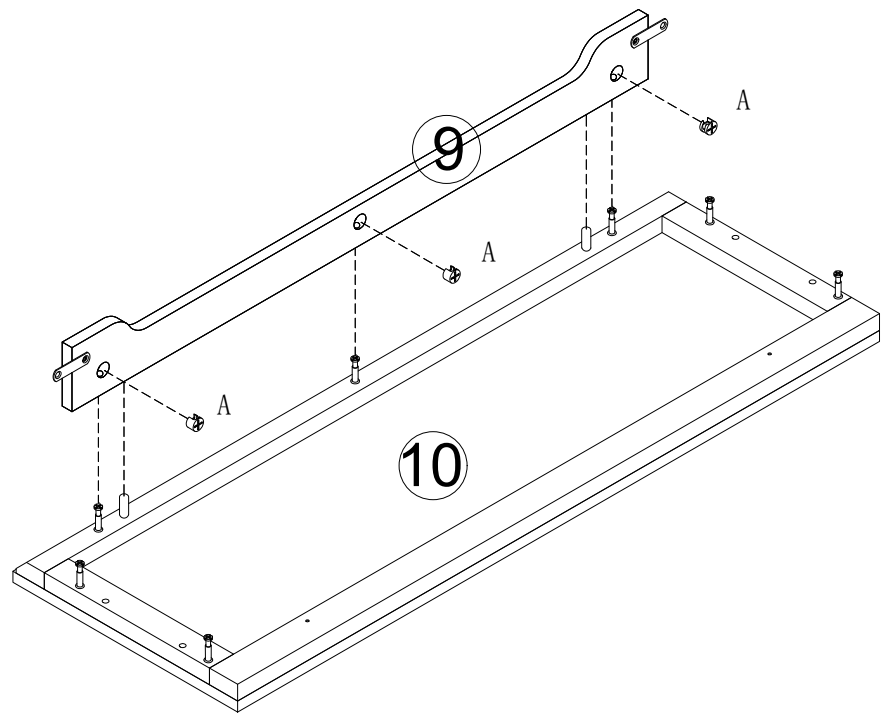
STEP#11

-  B x 7
-  C x 2
-  I x 2
-  J x 2



STEP#12

-  A x 3



STEP#13

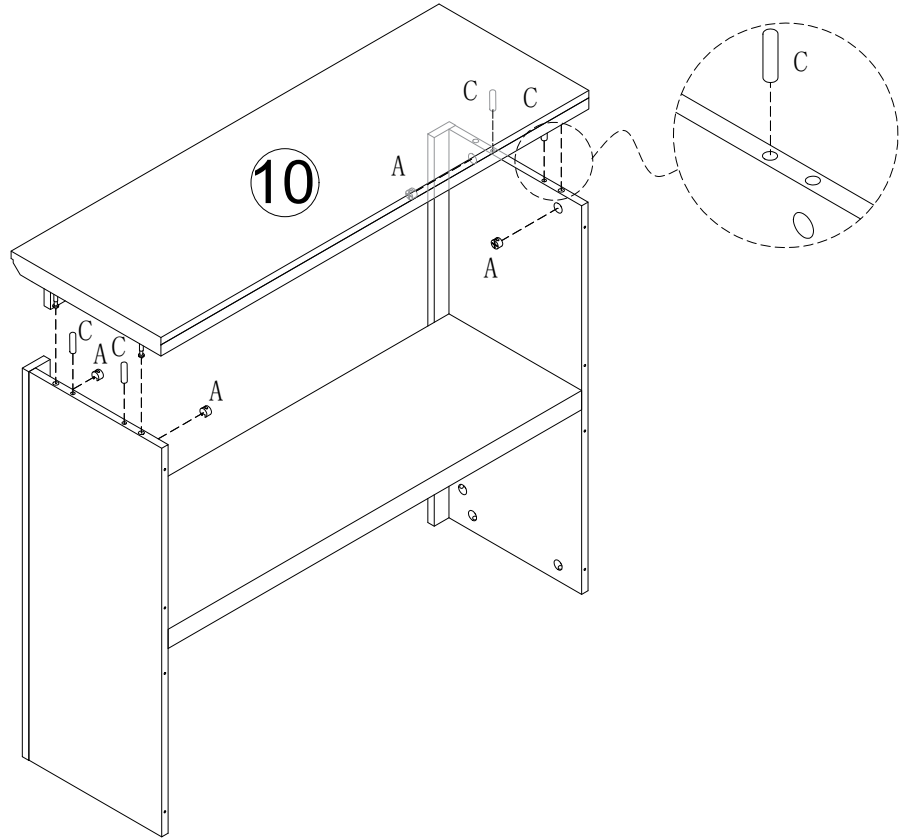


A x 4



C x 4

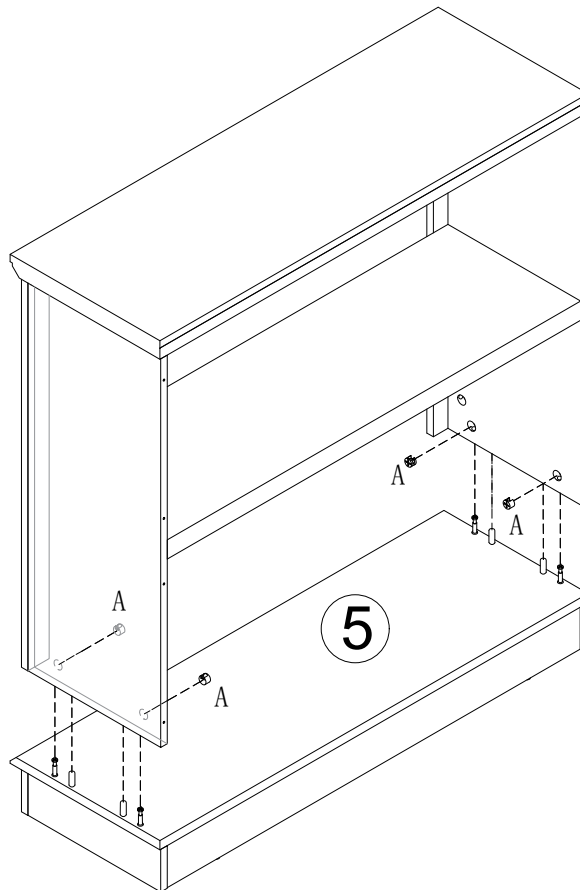
UP



STEP#14



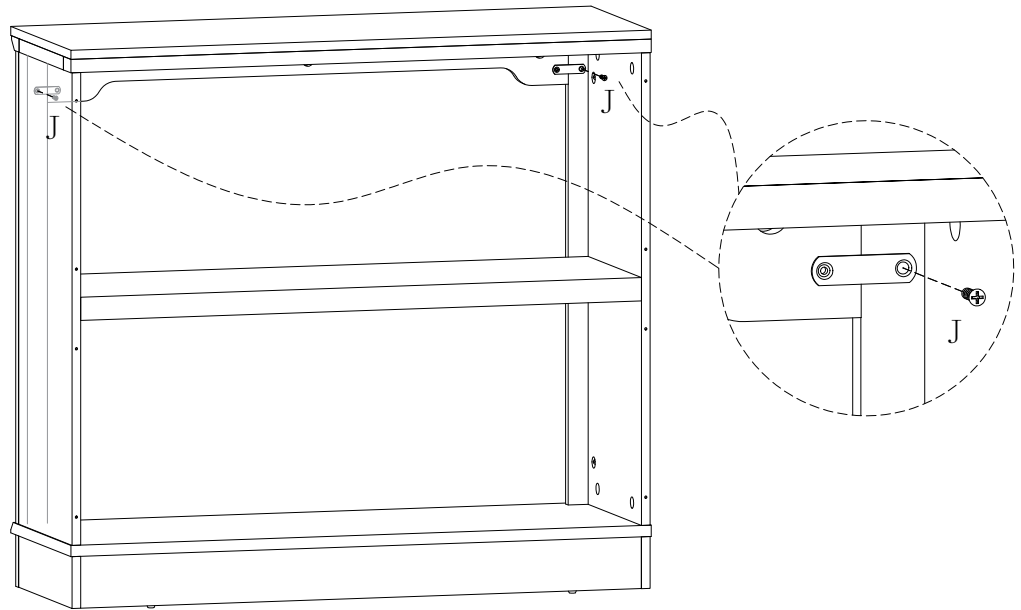
A x 4



STEP#15



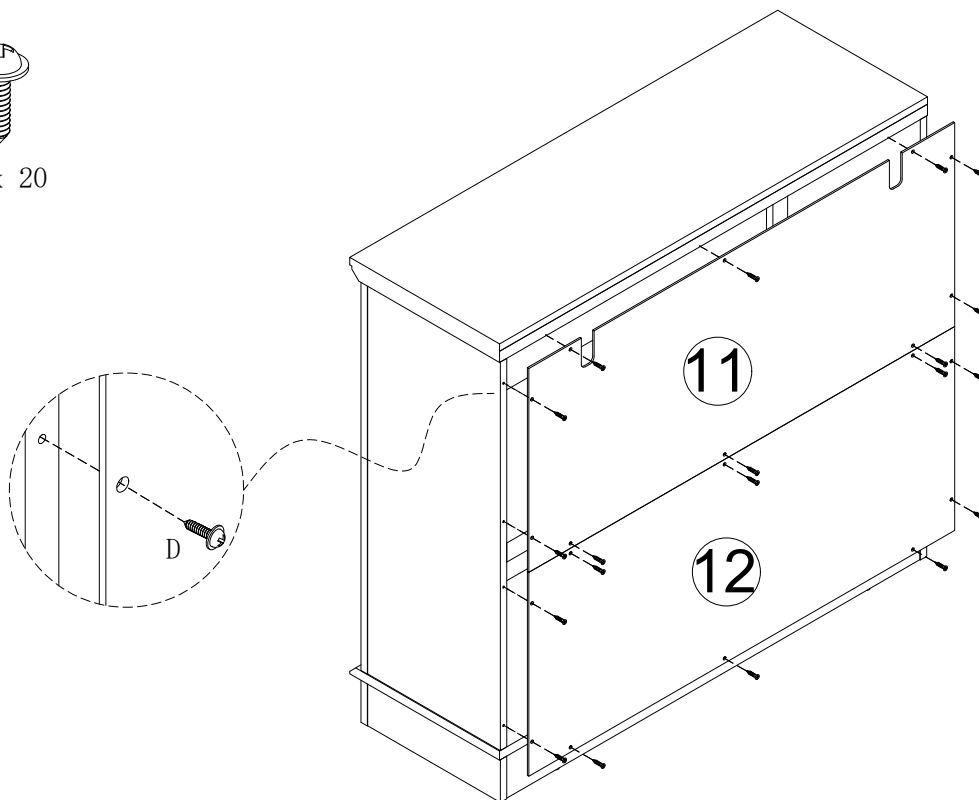
J x 2



STEP#16

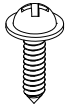


D x 20



STEP#17

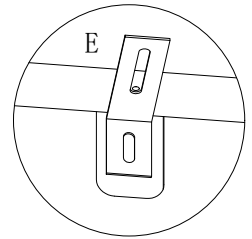
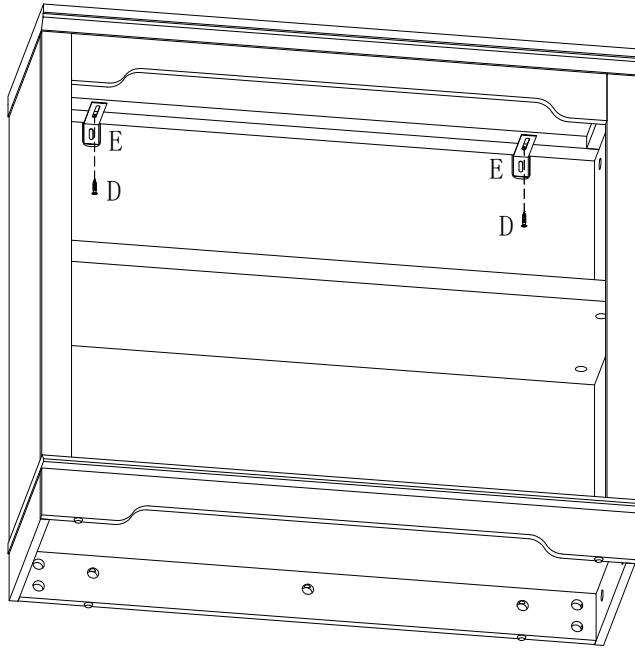
Place the bookcase in the desired position.



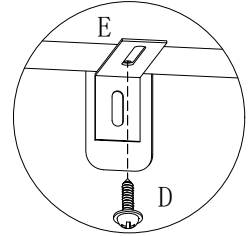
D x 2



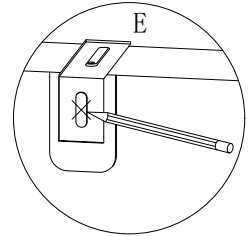
E x 2



1. Place the iron sheet flat on the wall surface.



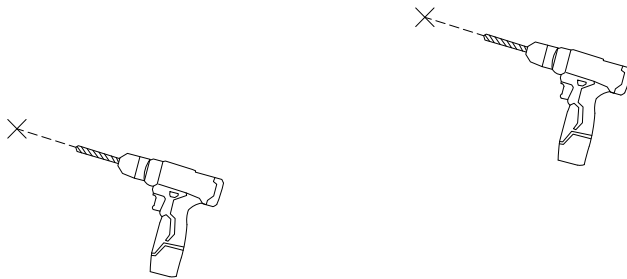
2. Lock the iron sheet onto the cabinet



3. Mark the location of the iron sheet on the wall

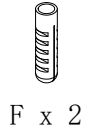
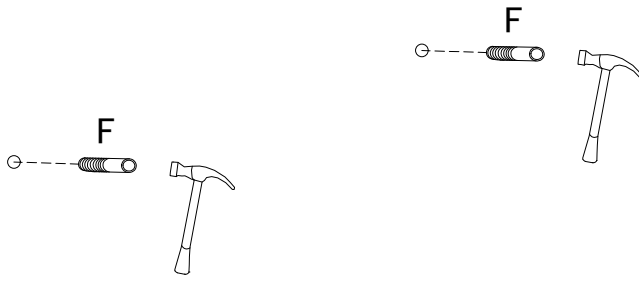
STEP#18

Make two holes 40mm deep

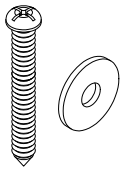


Wall

STEP#19



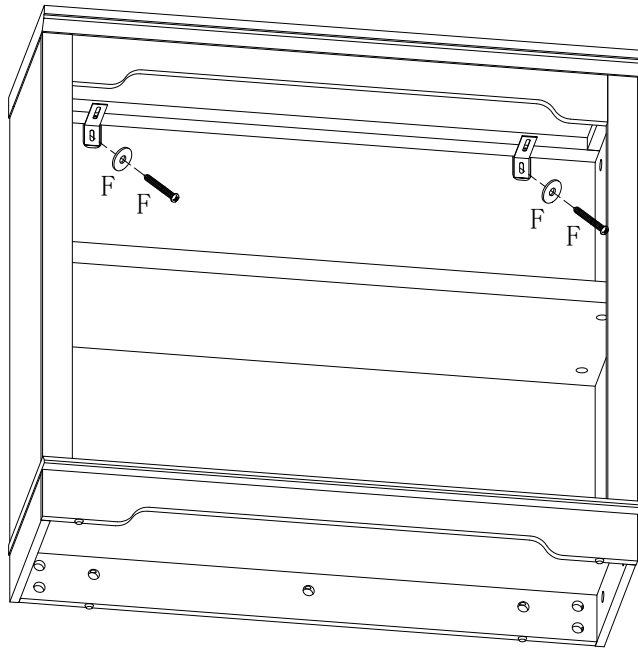
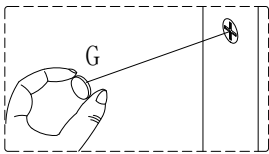
STEP#20



F x 2



G x 39



WARRANTY CARD

🌀 Your warranty includes

- **30 Days Money Back Guaranty**
Within the first 30 days of your purchase, you are allowed to return your product for a full refund.
- **30 Days to 3 Months(6 Months)**
We will replace the defective unit due to manufacturer fault with a new one. (You will receive extra 3 Months warranty if you register on our website.)
- **3 Months to 24 Months**
Within 24 Months, we will provide timely and effective online after-sales service after your purchase.

🌀 How to return your Products

- Contact aftersale@ecsupport.com with your order number.
- We will issue you RMA # and return address for your return.
- Please fill out RMA info, tear off this page and leave it inside your return package.
- We will issue replace / return after receiving your return.

🌀 Return product details

To get your returns processed as quickly as possible, please fill this form and include it in your return package.

Purchase Name	
Order Number	
Date of Purchase	
Your Email Address	
Where did you buy it	

If your product was purchased through an official fulfillment channel, please contact the platform's customer service to request a return within 30 days of purchase.

Email: aftersale@ecsupport.com

MADE IN CHINA

