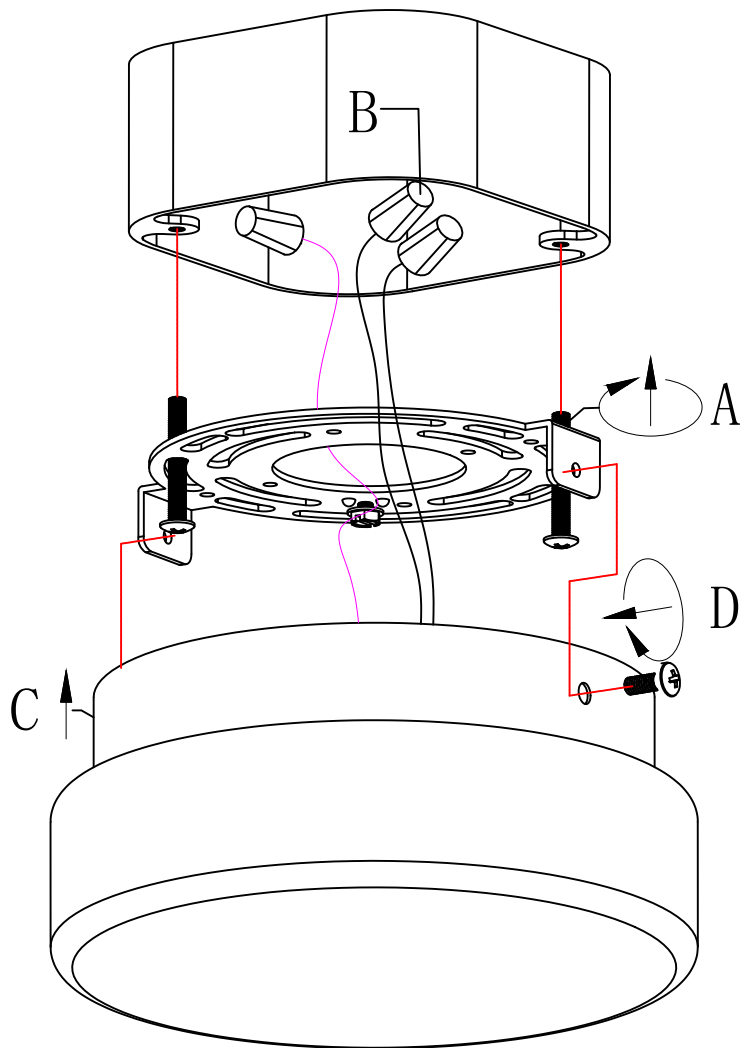


# Assembly & Installation Instructions



## PREPARATION before INSTALLATION:

1. If an existing fixture is being replaced, remove it and note to which wire in the outlet box the original fixture was attached.
2. Before discarding the carton, double-check the packaging to make sure all parts have been found.
3. This fixture was designed to be mounted on an octagon outlet box. The box must be securely mounted to the structure of the building.

## IMPORTANT:

1. **WARNING** - Disconnect power before relamping or wiring the fixture. Turn off the entire electrical circuit to which the lighting fixture is attached.
2. Installation and maintenance of this fixture should be completed by a licensed electrician.
3. Failure to install the fixture correctly could result in serious injury or death.
4. Read all instructions before starting installation.

## INSTALLATION STEPS:

1. Secure the mounting plate to the junction box using Screws (A).
2. Connect the wires using the wire caps (B) as follows:  
Connect the fixture's BLACK wire to the home LIVE/HOT wire.  
Connect the fixture's WHITE wire to the home NEUTRAL wire.  
Connect the fixture's GROUND wire to the home GROUND wire to the mounting plate with the green screw.  
\*Note: Ensure no wire strands are exposed.
3. Secure the Light Fixture (C) to the mounting plate using Screws (D).