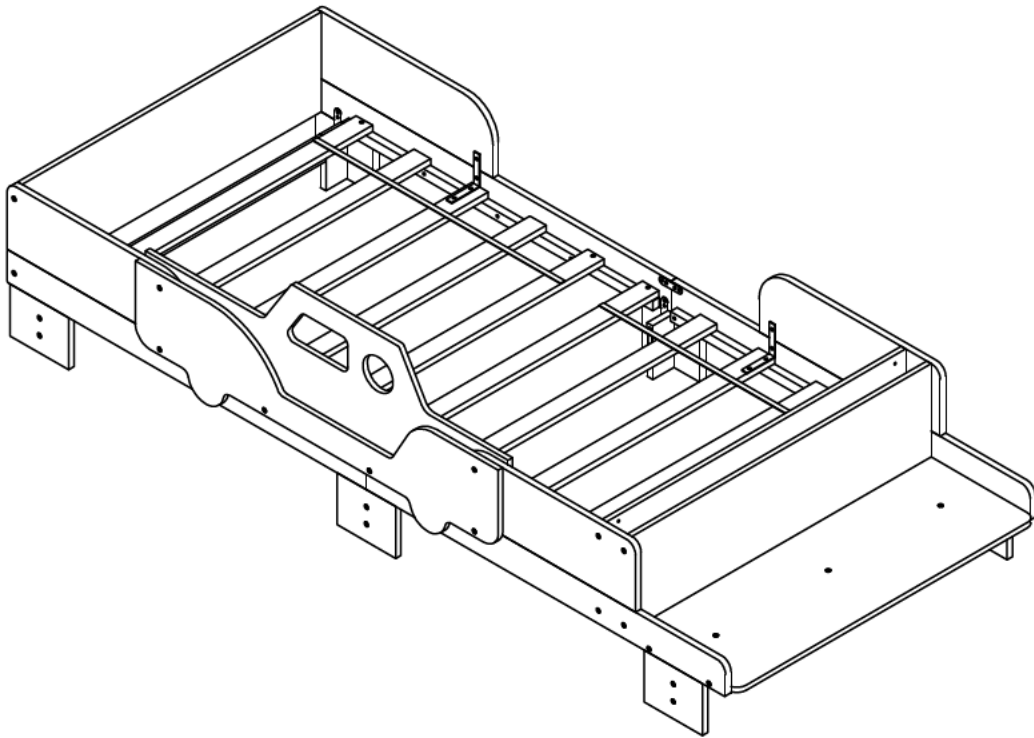
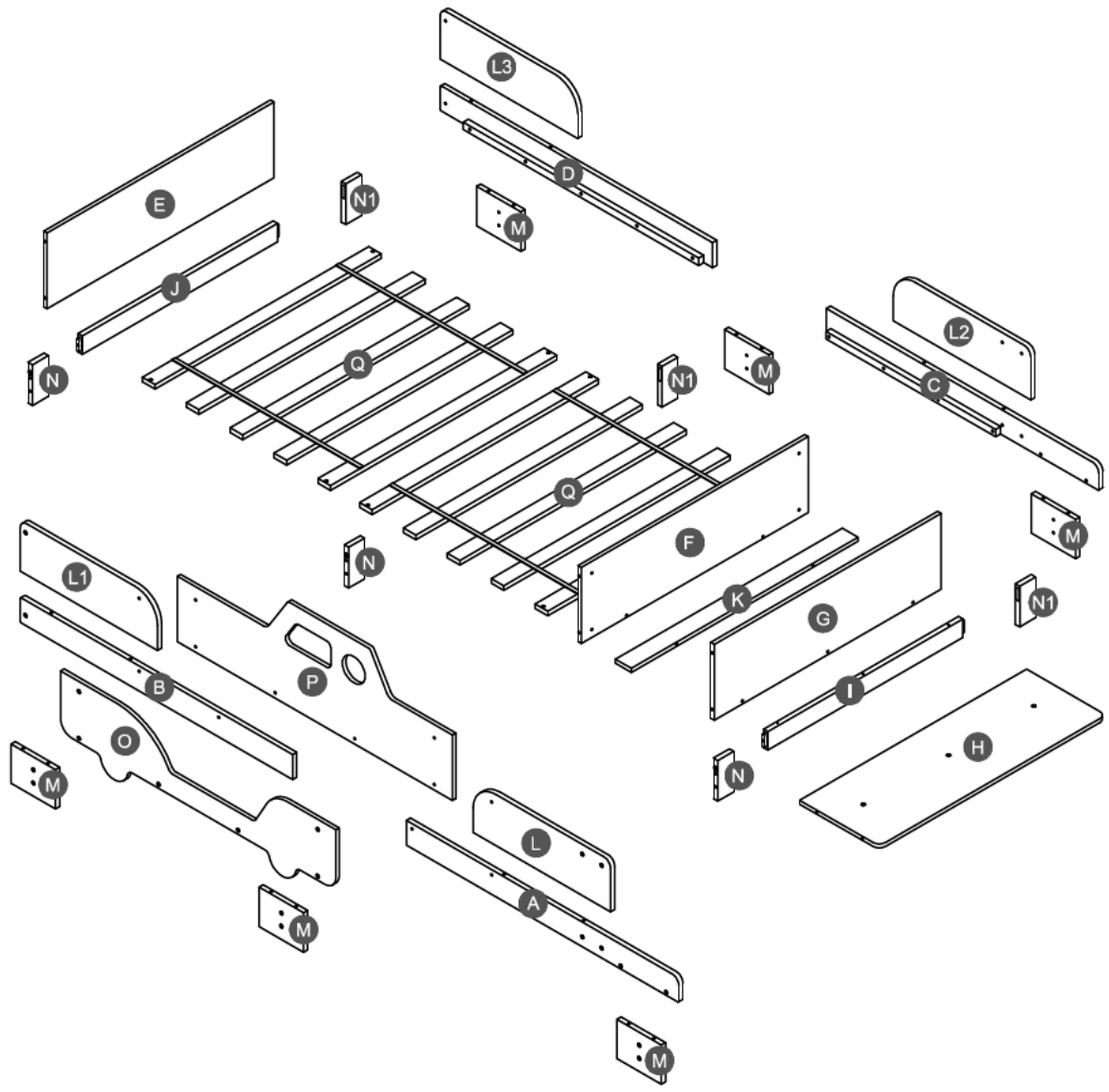


ASSEMBLY INSTRUCTIONS



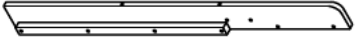

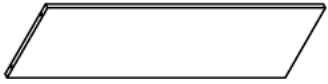

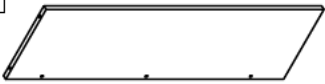




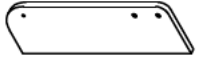


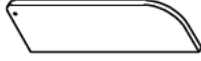




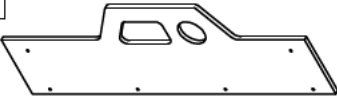
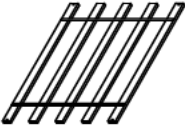
TWIN BED



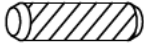










Detail View



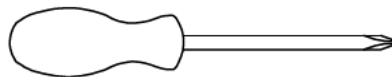
Part List

<p>A</p>  <p>Side rail (Left front) - 1pc</p>	<p>B</p>  <p>Side rail (Left back) - 1pc</p>	<p>C</p>  <p>Side rail (Right front) - 1pc</p>
<p>D</p>  <p>Side rail (Right back) - 1pc</p>	<p>E</p>  <p>Back panel - 1pc</p>	<p>F</p>  <p>Divider panel - 1pc</p>
<p>G</p>  <p>Divider panel - 1pc</p>	<p>H</p>  <p>Front panel - 1pc</p>	<p>I</p>  <p>Horizontal bar (Front) - 1pc</p>
<p>J</p>  <p>Horizontal bar (Back) - 1pc</p>	<p>K</p>  <p>Horizontal bar (Divider) - 1pc</p>	<p>L</p>  <p>Side panel (Left front) - 1pc</p>
<p>L1</p>  <p>Side panel (Left back) - 1pc</p>	<p>L2</p>  <p>Side panel (Right front) - 1pc</p>	<p>L3</p>  <p>Side panel (Right back) - 1pc</p>
<p>M</p>  <p>Leg - 6pcs</p>	<p>N</p>  <p>Support leg - 3pcs</p>	<p>N1</p>  <p>Support leg - 3pcs</p>
<p>O</p>  <p>Side panel - 1pc</p>	<p>P</p>  <p>Side panel - 1pc</p>	<p>Q</p>  <p>Slat - 2Set (1Set = 5pcs)</p>

Hardware List

1  Ø8*30mm Wood dowel (27pcs)	2  (Ø15)1/4"*100mm Hex-Head bolts (4pcs)	3  (Ø12)1/4"*60mm Hex-Head bolts (28pcs)
4  (Ø12)1/4"*40mm Hex-Head bolts (6pcs)	5  1/4"*15 (9.5mm) Horizontal-Hole bolts(32pcs)	6  (Ø12)1/4"*40mm Hex-Head bolts (3pcs)
7  (1/4")4.5*58mm Allen key (1pc)	8  Ø4*30mm Wood screws (8pcs)	9  75*20*2 mm Metal bracket (5pcs)
10  95*95*18*3mm Metal bracket (2pcs)	11  Ø3.5*15mm Wood screws (28pcs)	

ASSEMBLY TOOLS REQUIRED (NOT INCLUDED)



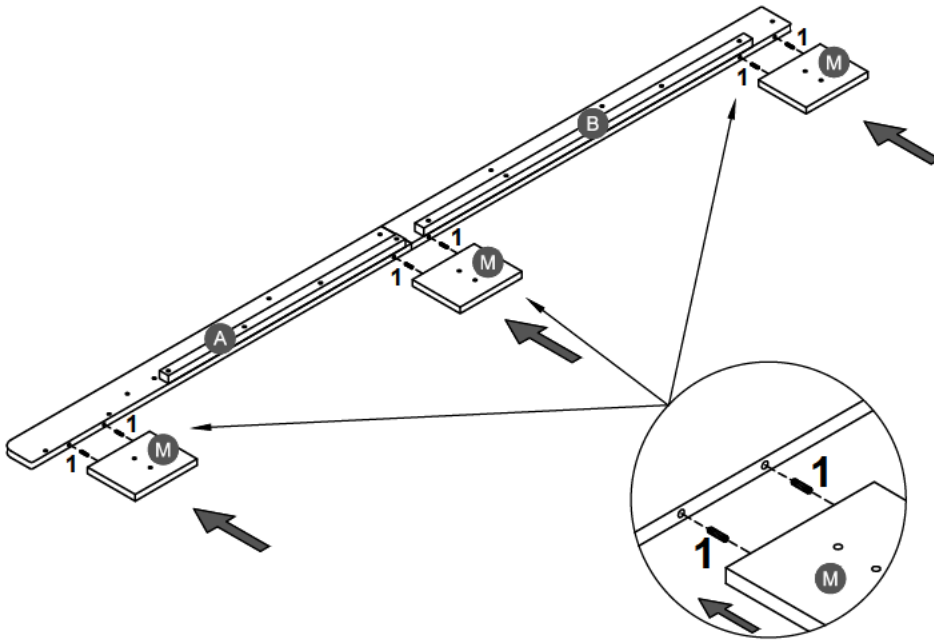
PLEASE BE CAREFUL DO NOT DAMAGE THE HOLE POSITION WHEN YOU USE POWER TOOLS !

STEP 1:

1



6PCS

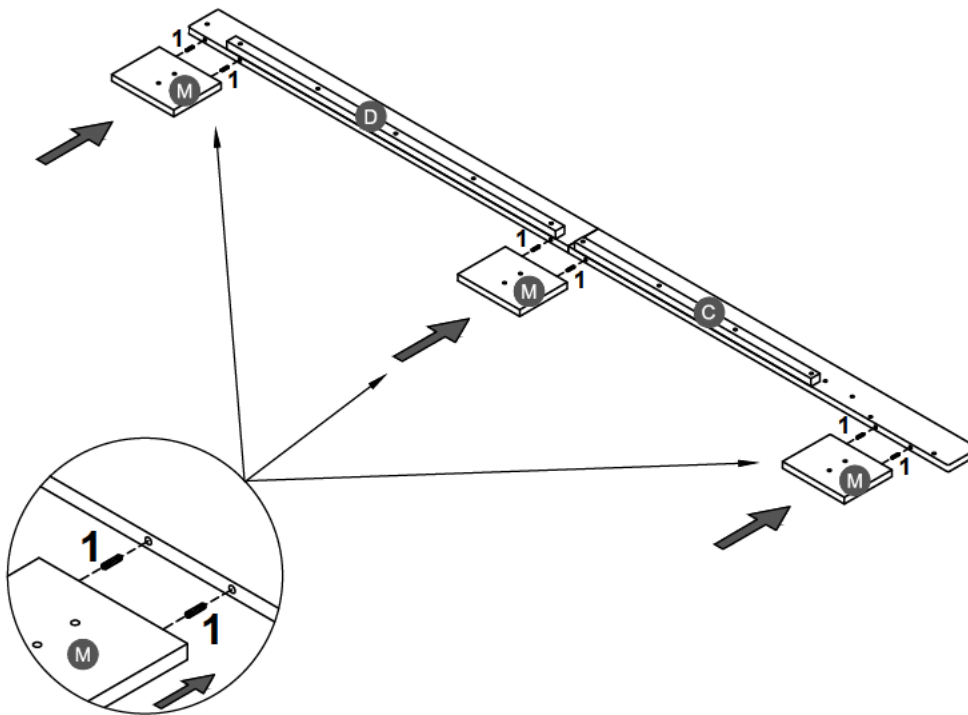


STEP 2:

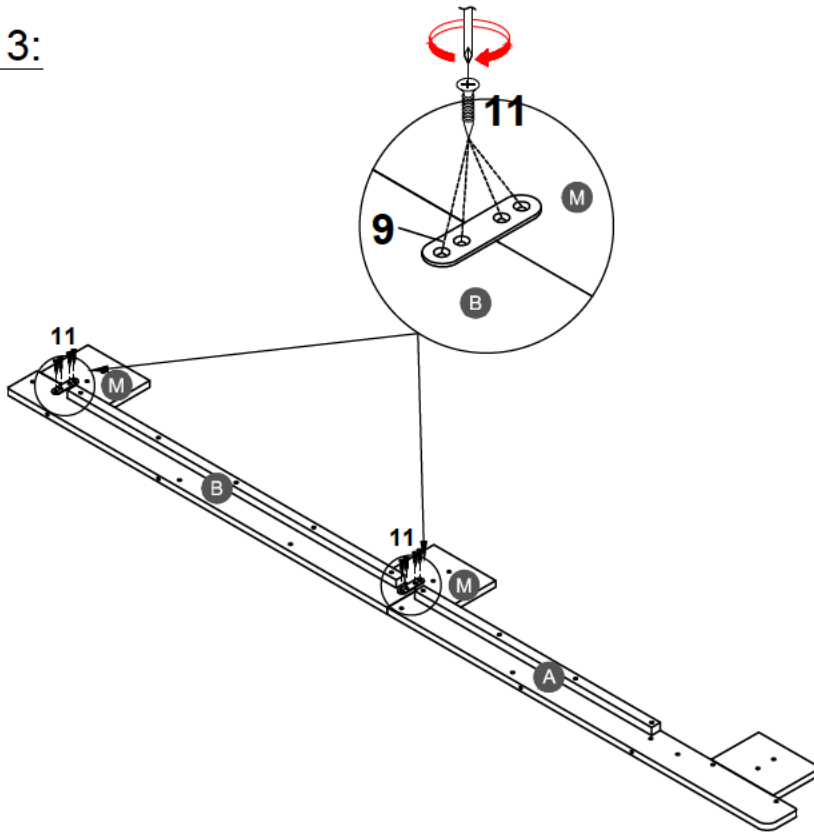
1





6PCS

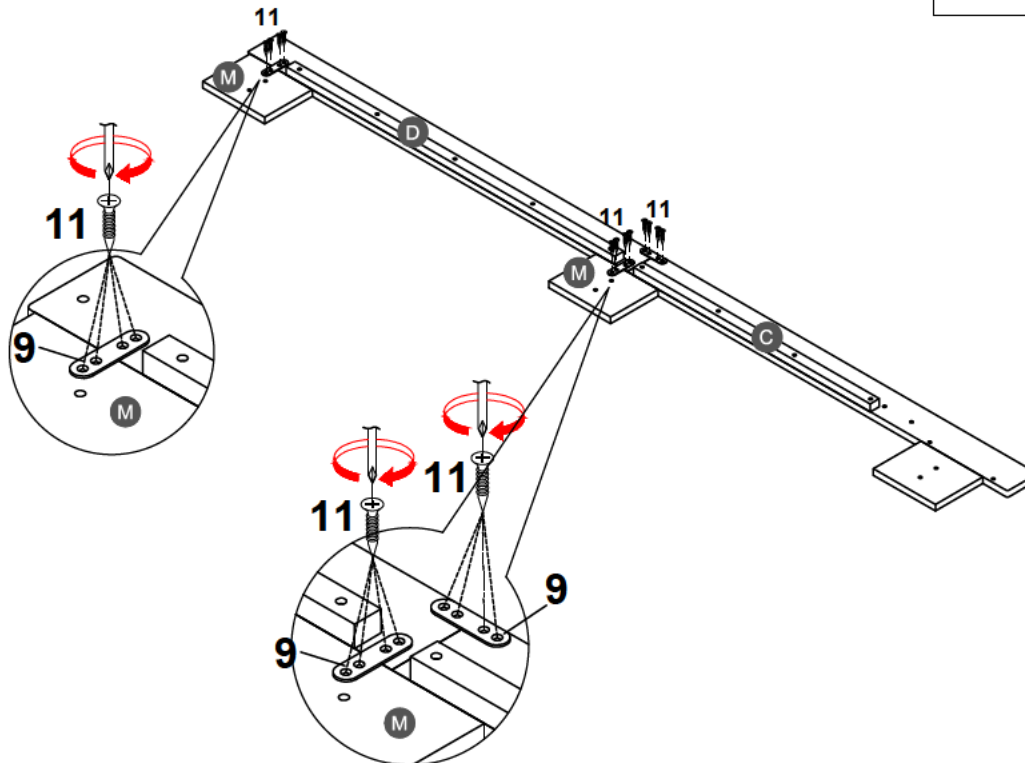


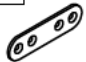

STEP 3:



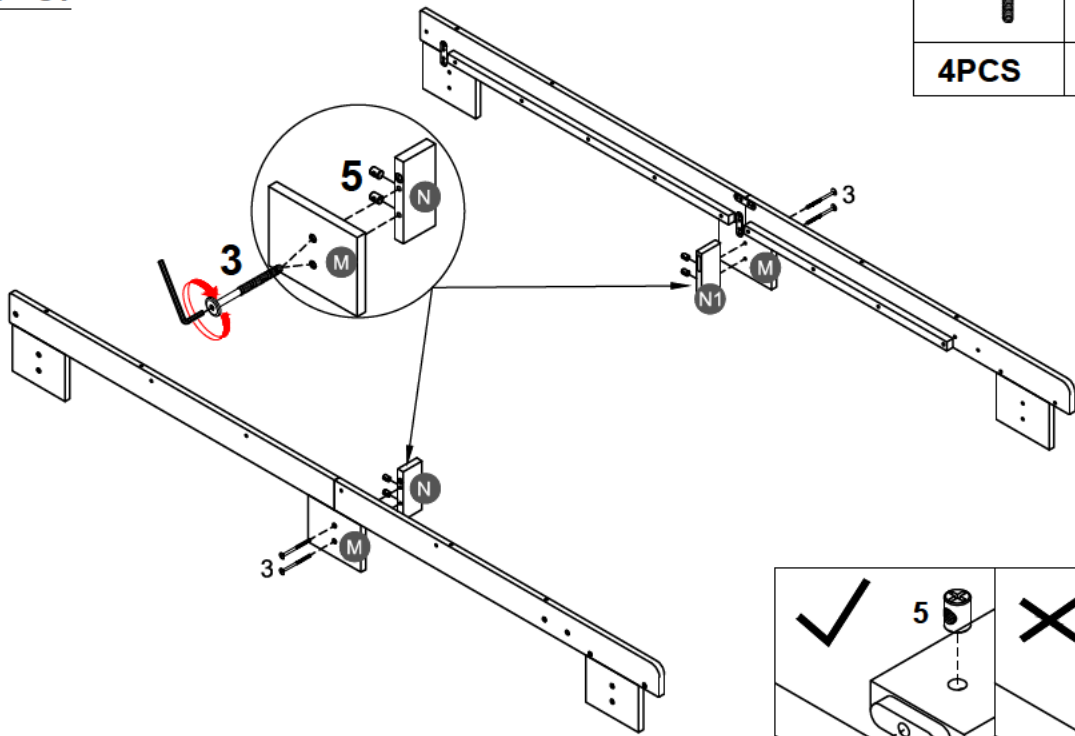
9 	11 
2PCS	8PCS

STEP 4:



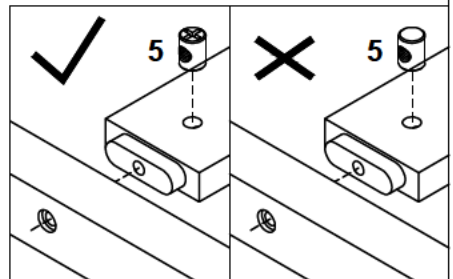
9 	11 
3PCS	12PCS

STEP 5:

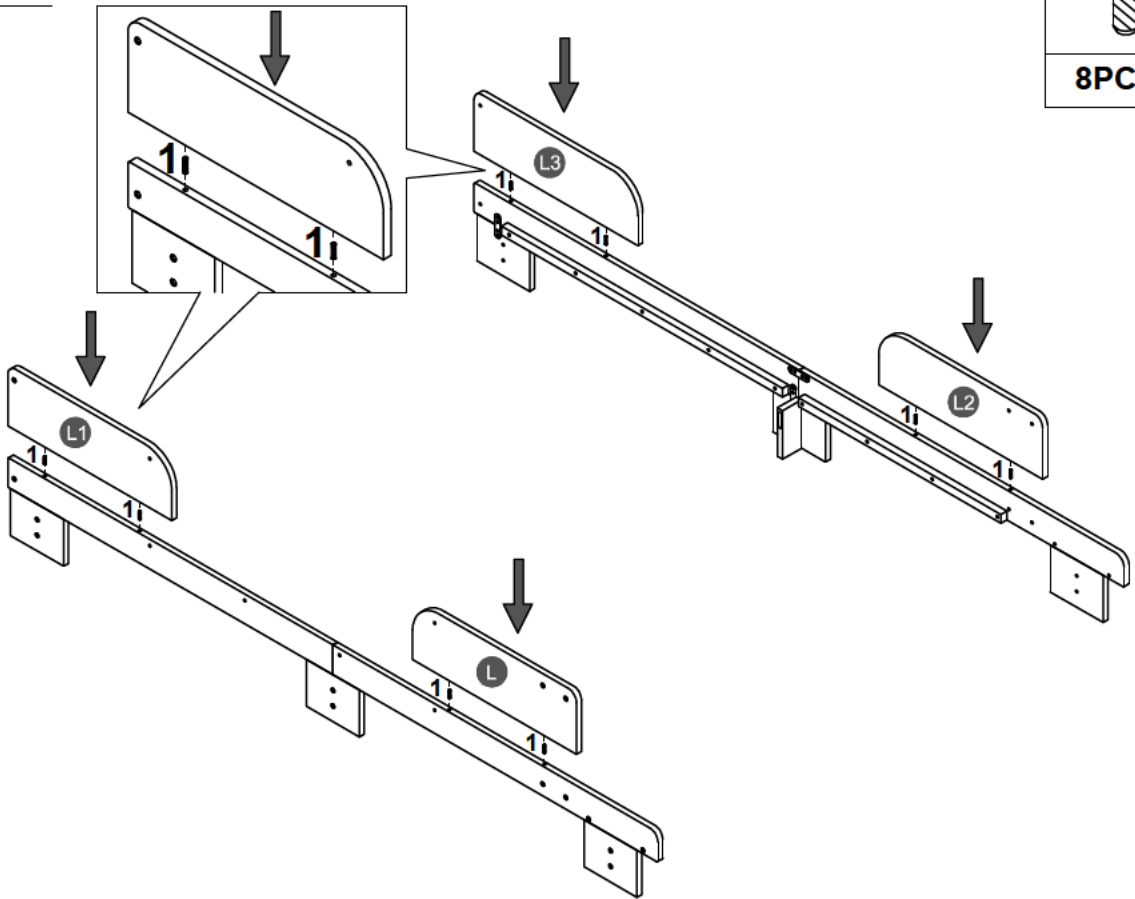


3		5	
4PCS		4PCS	

Note: Part 5 will face up with the "x" mark on it, otherwise it cannot be tightened





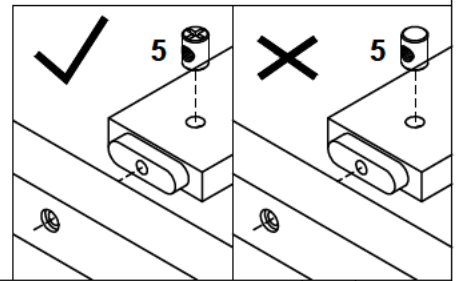
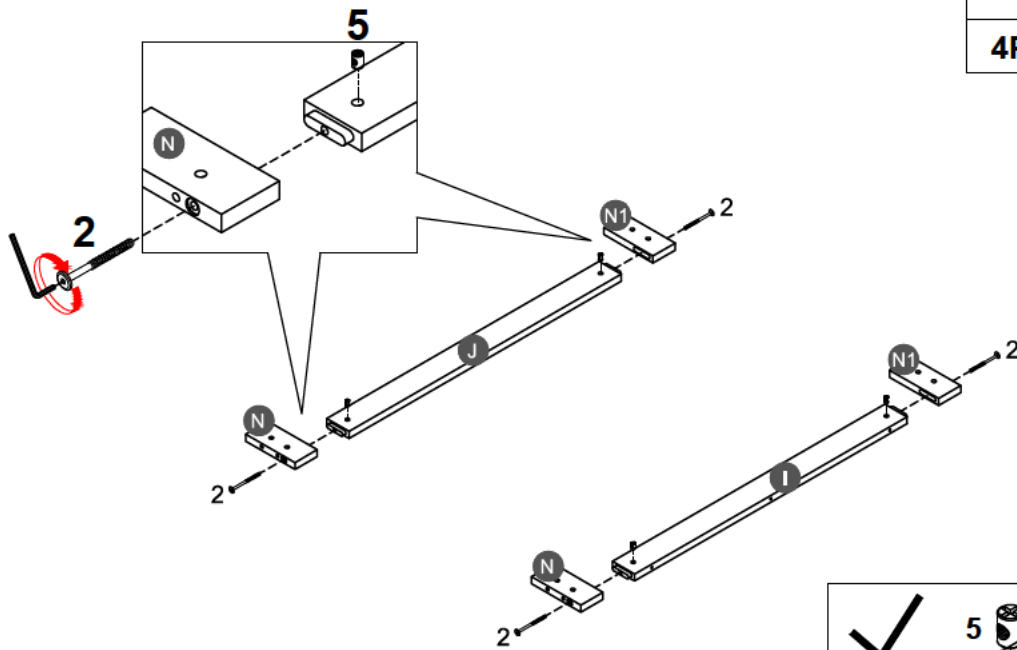
STEP 6:



1	
8PCS	


STEP 7:

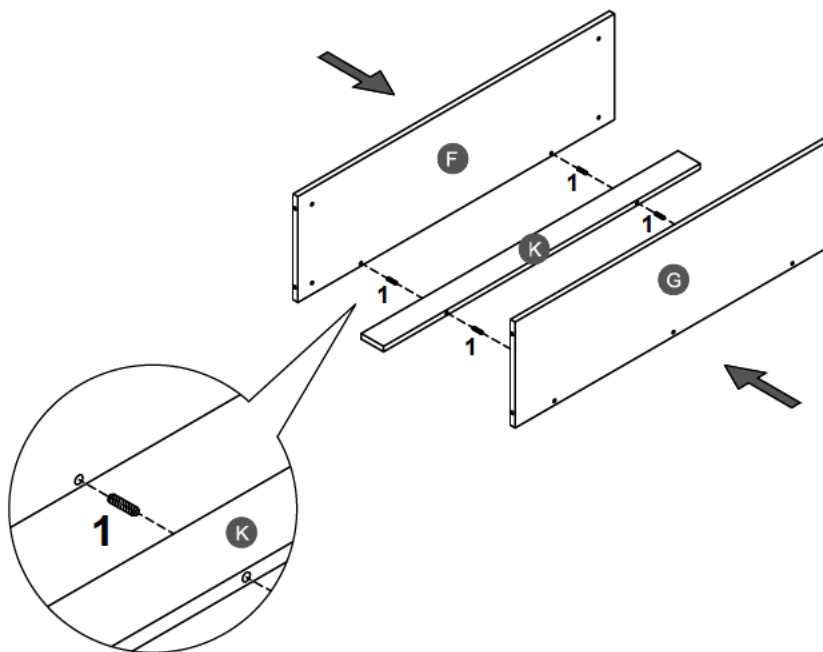
2		5	
4PCS		4PCS	





Note: Part 5 will face up with the "x" mark on it, otherwise it cannot be tightened

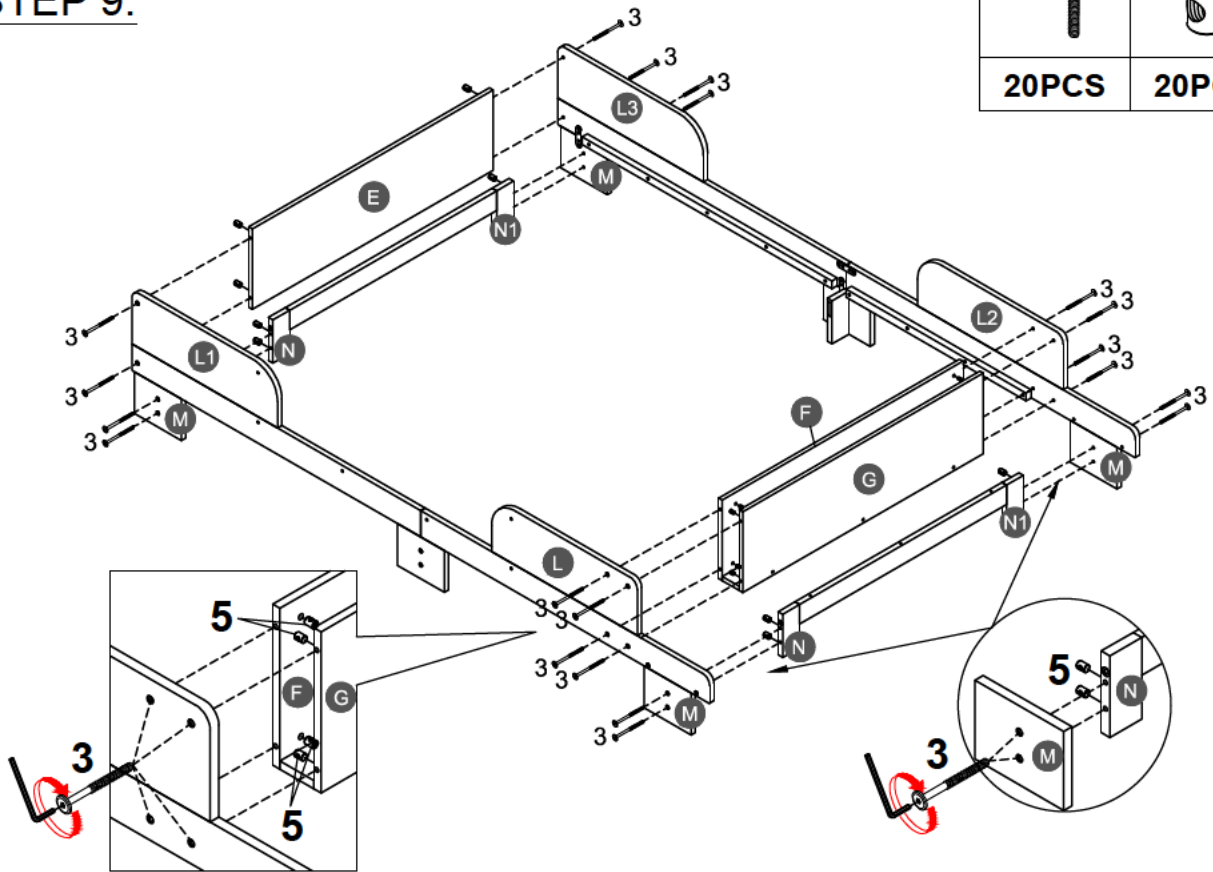
STEP 8:

1	
4PCS	




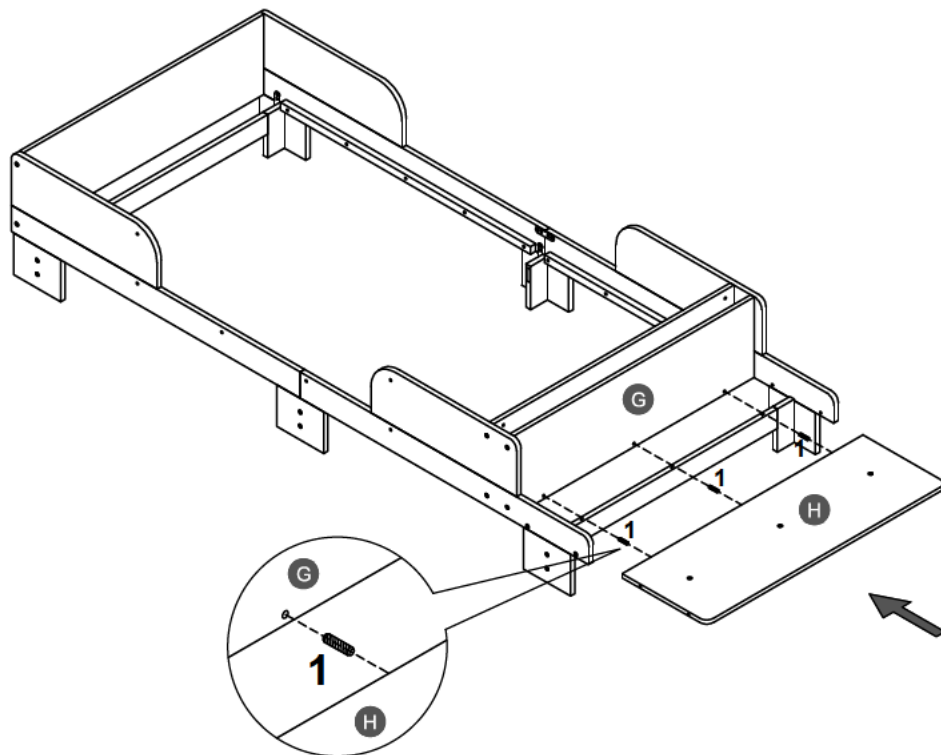
STEP 9:

3		5	
20PCS		20PCS	

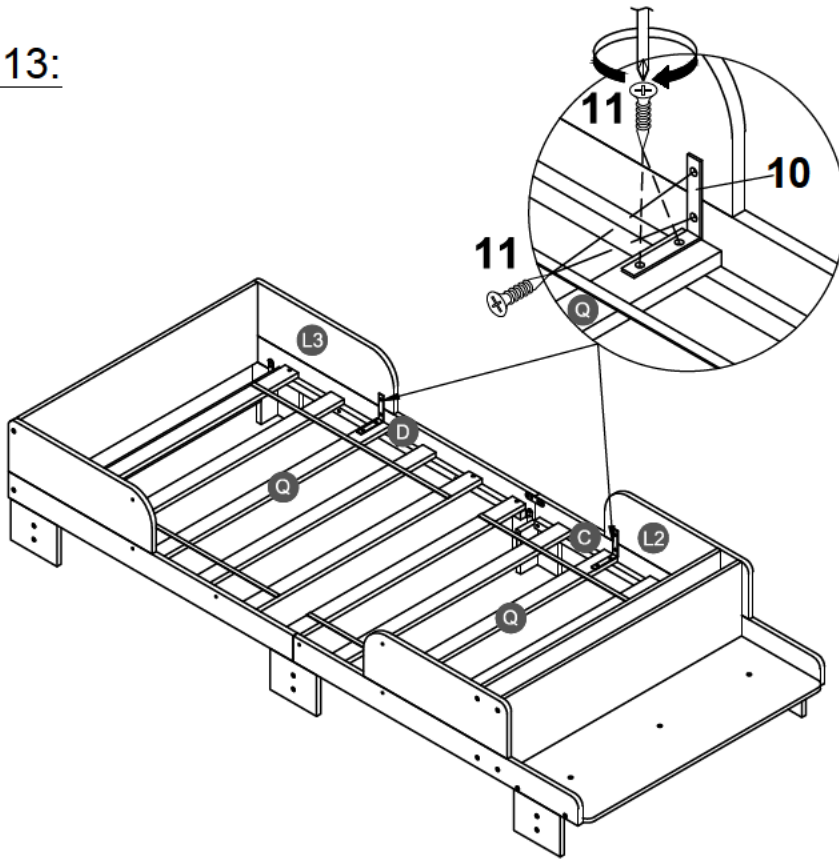


STEP 10:

1	
3PCS	



STEP 13:



10



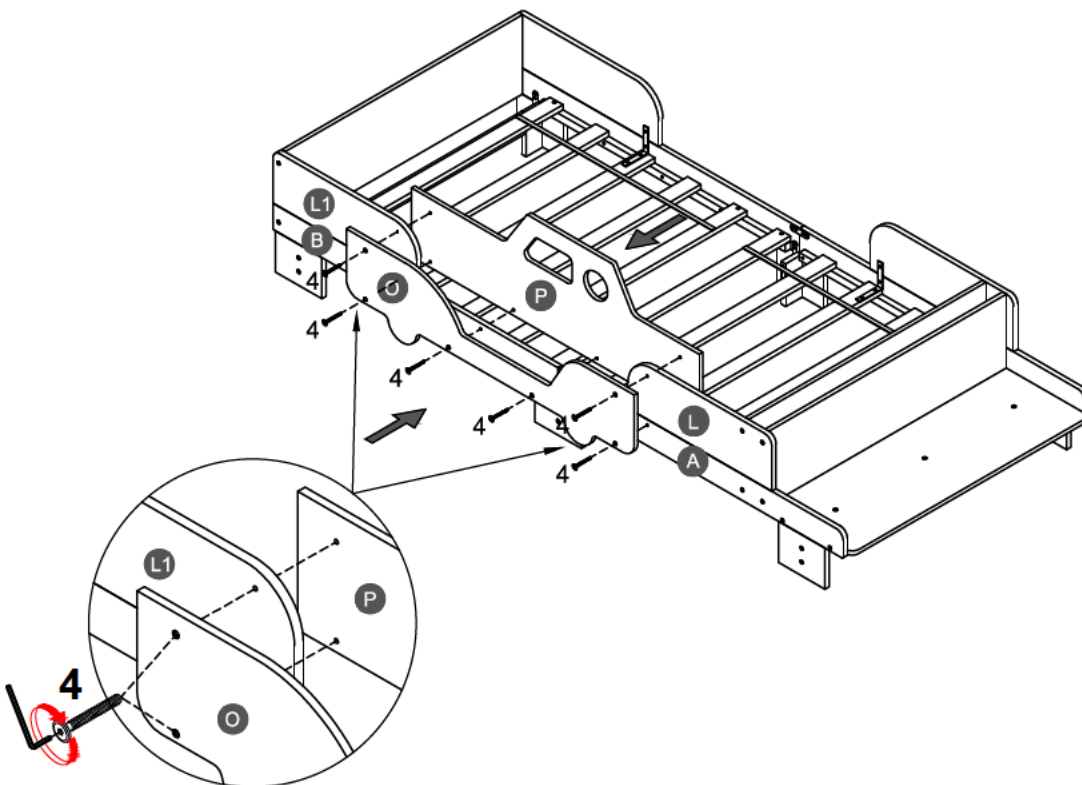
2PCS

11



8PCS

STEP 14:



4



6PCS