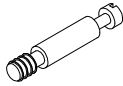


A x8
Spec: $\phi 10 * L40$



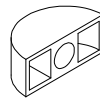
B x4
Spec: $\phi 7 * L30$



C x4
Spec: $\phi 15 * H12$



D x4
Spec: M8*95



E x4
Spec:



F x4
Spec: $\phi 38$



G x20
Spec: $\phi 8 * \phi 18$



H x1
Spec: 5#



I x4
Spec: M8



J x16
Spec: M6*45



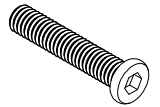
K x1
Spec: 14MM



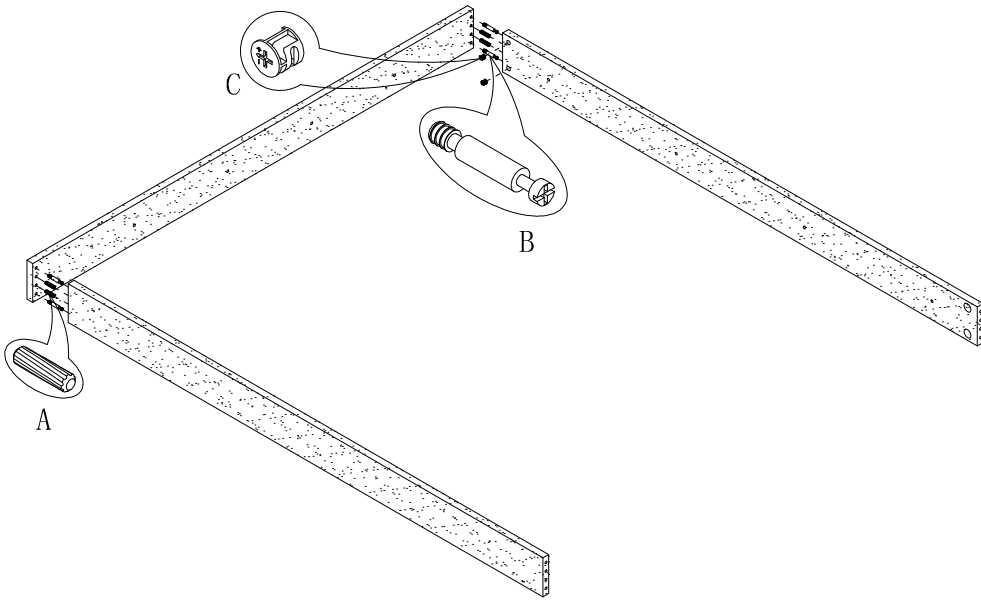
L x1
Spec: 10g



M x4
Spec: H205

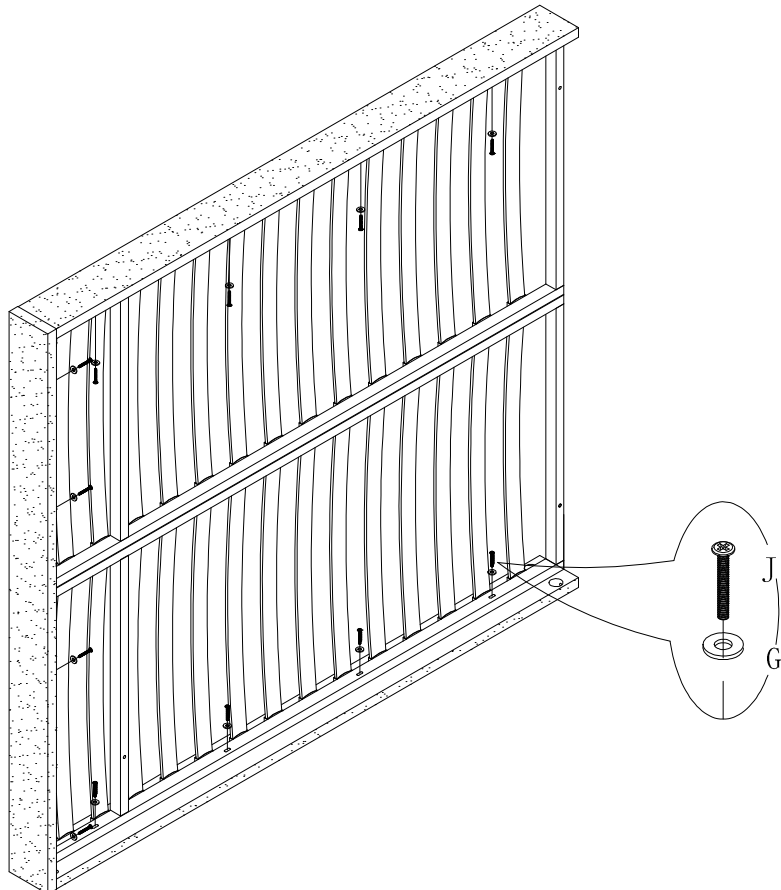


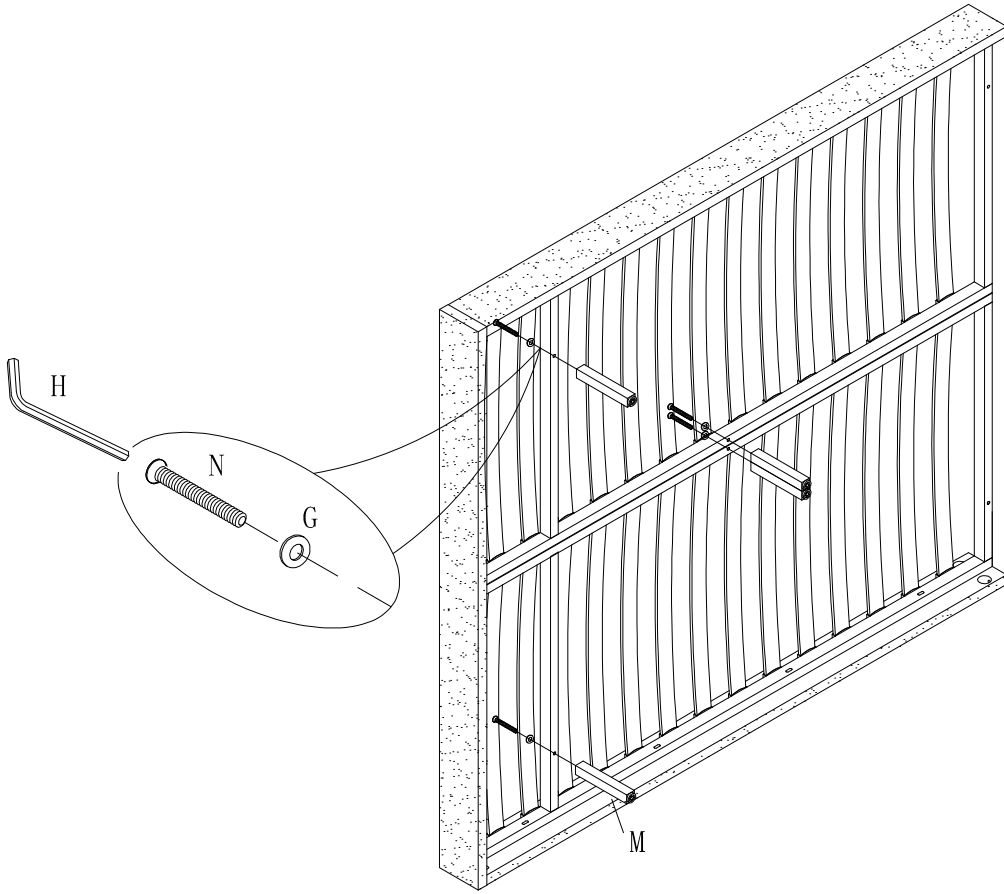
N x4
Spec: 5/16*L60



1

2





3

4

