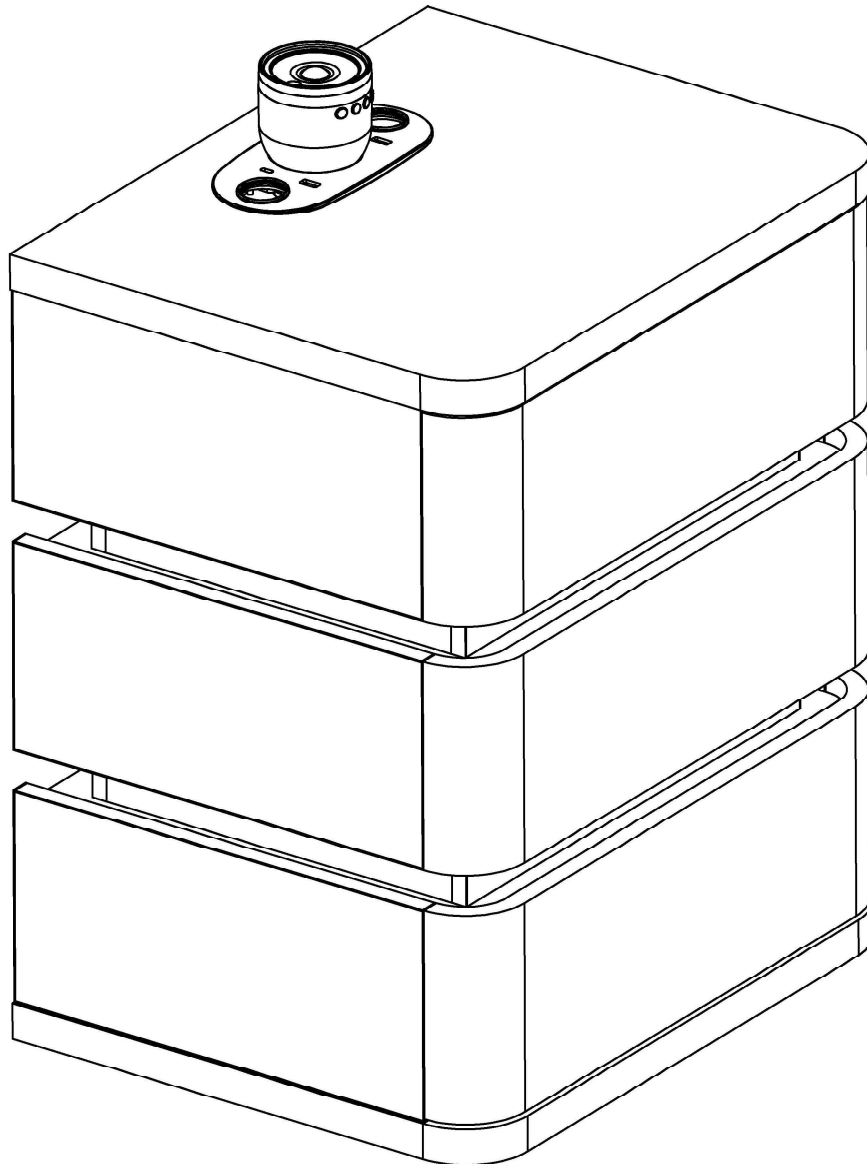
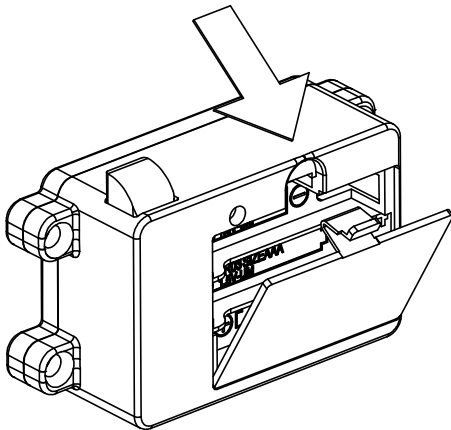


Product structure decomposition

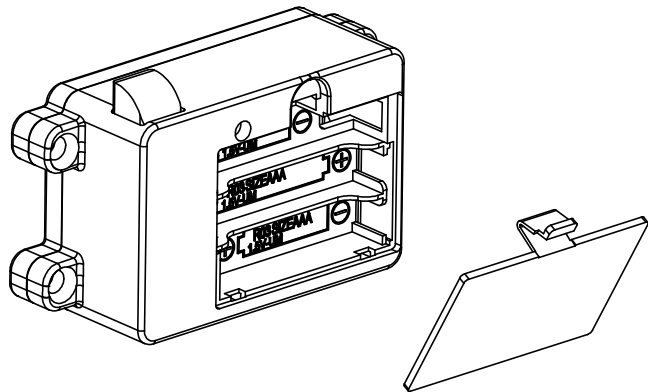


Electromagnetic lock battery installation diagram

Step 1

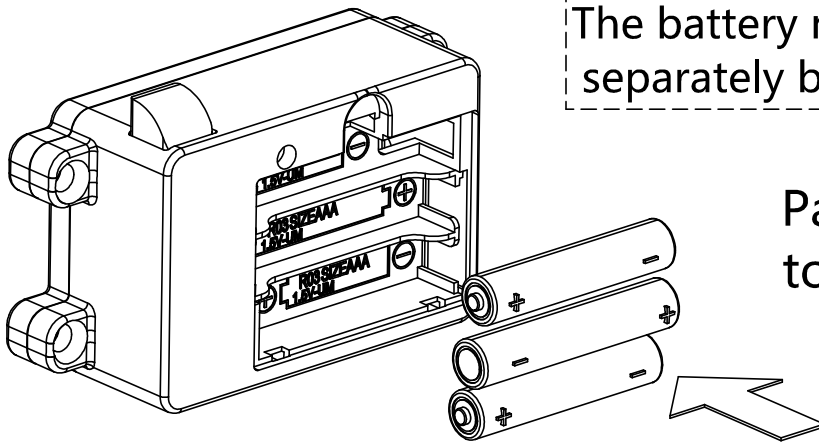


Step 2



Open the battery cover Move away the battery cover

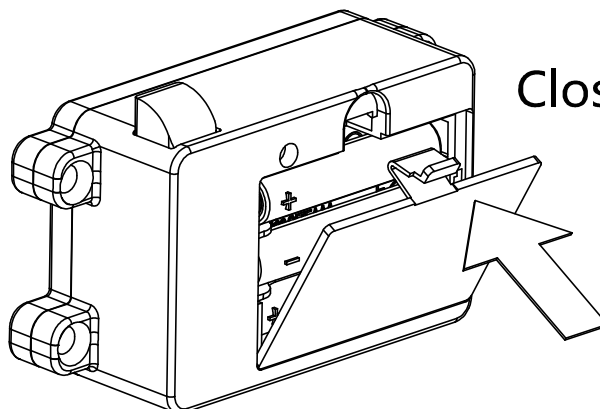
Step 3 Insert three batteries



The battery needs to be purchased separately by the customer.

Pay attention to the +/- markings

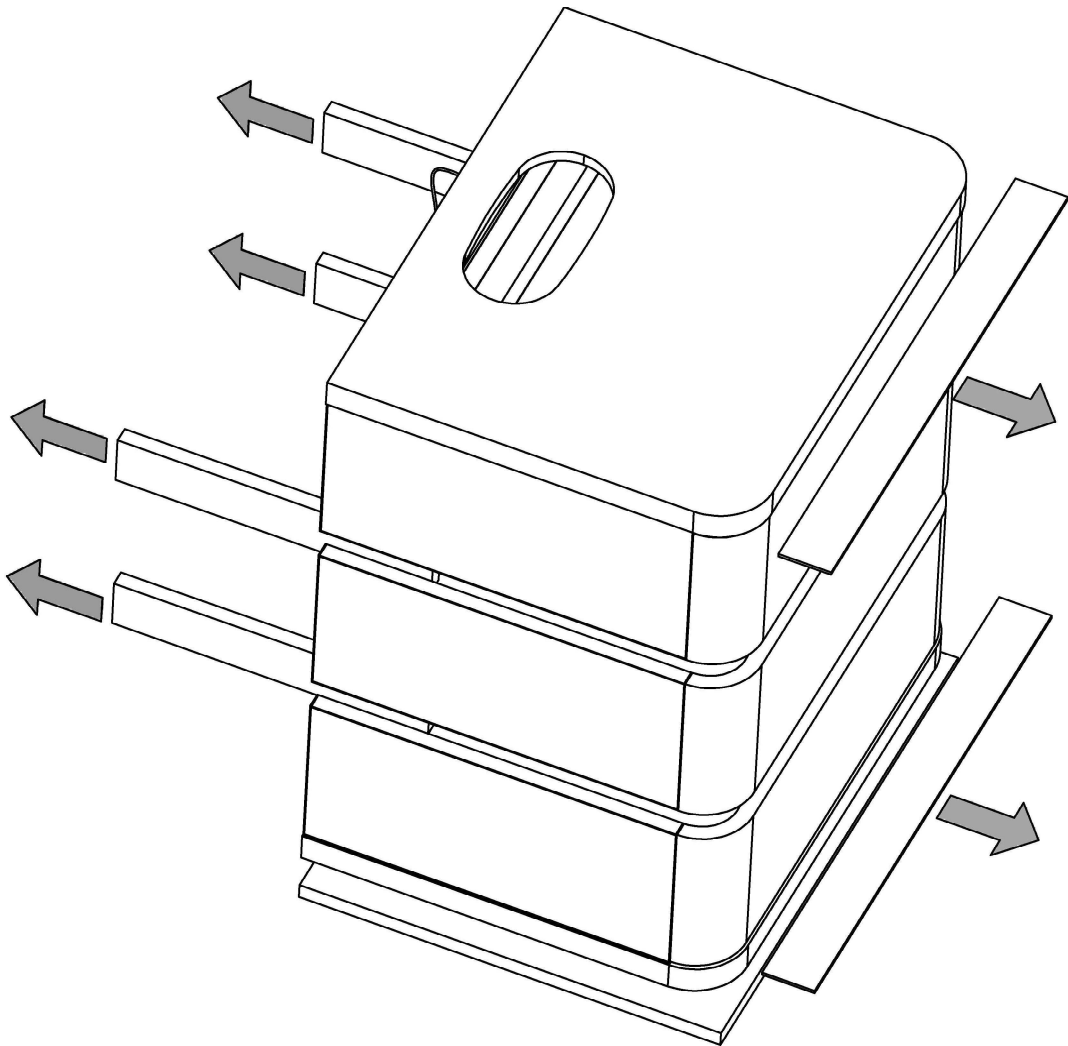
Step 4

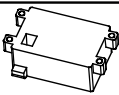



Close the battery cover

Step1

Remove the protection board,
The power adapter is in the bottom drawer.

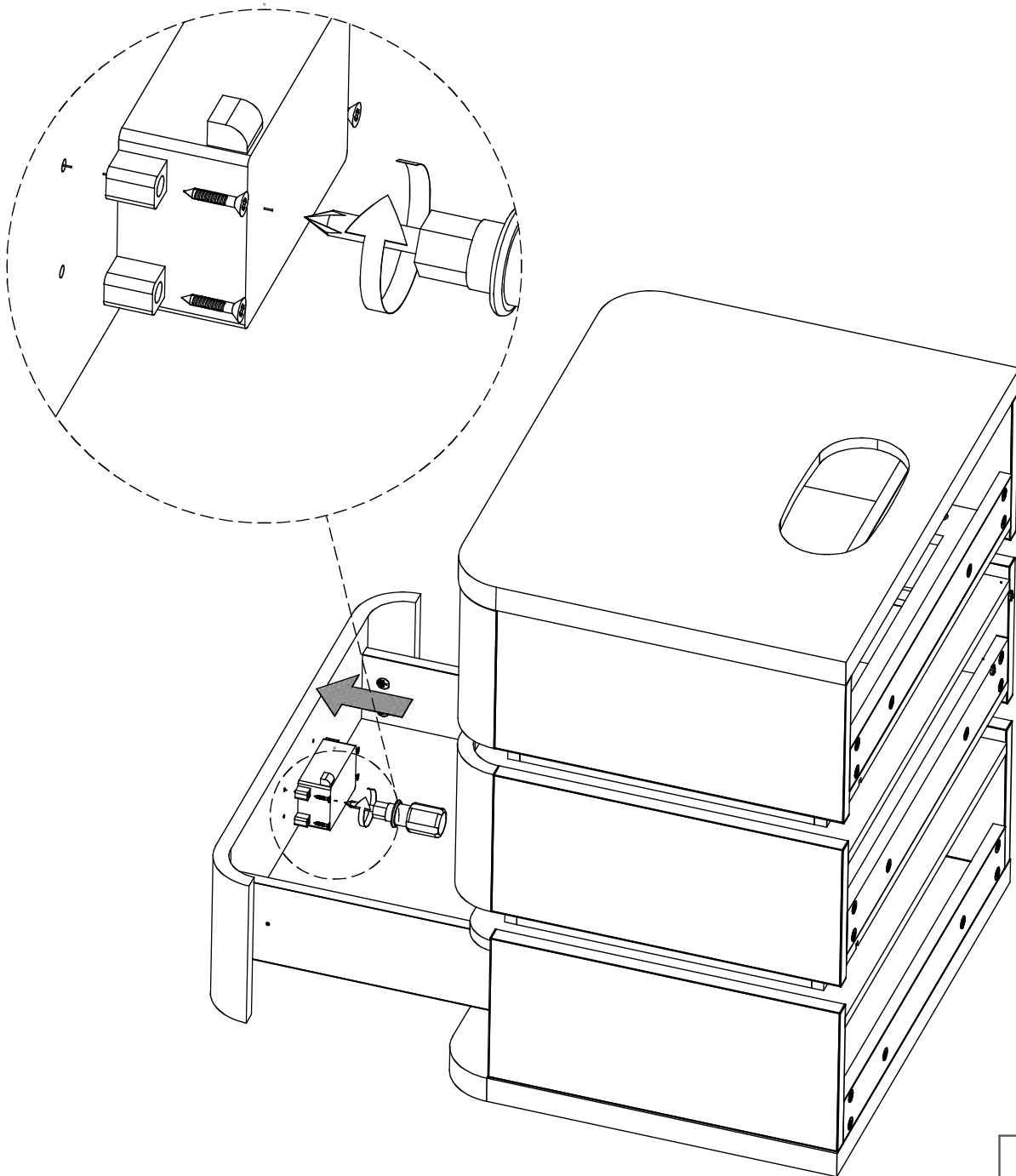


code	diagram	count
A		1
B	 3.5X20mm	4


Step2

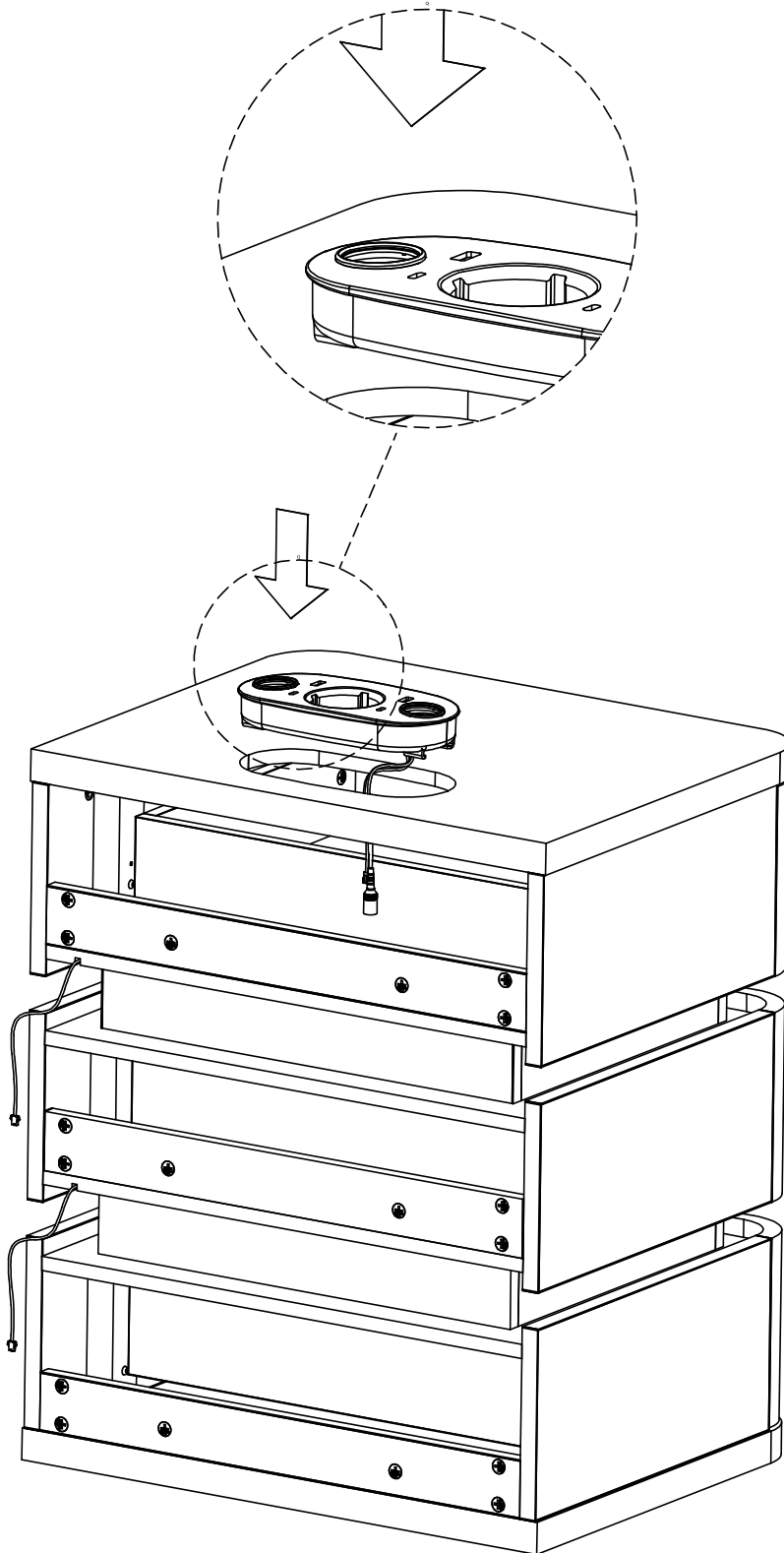
 **warning**

Electromagnetic locks must be installed with the battery in place before being mounted on the drawer.





Step3

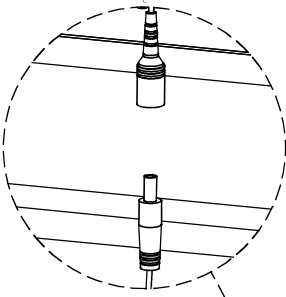
code	diagram	count
C		1



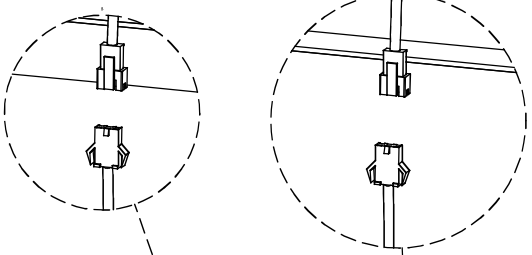
Step4

code	diagram	count
C		2
D		1

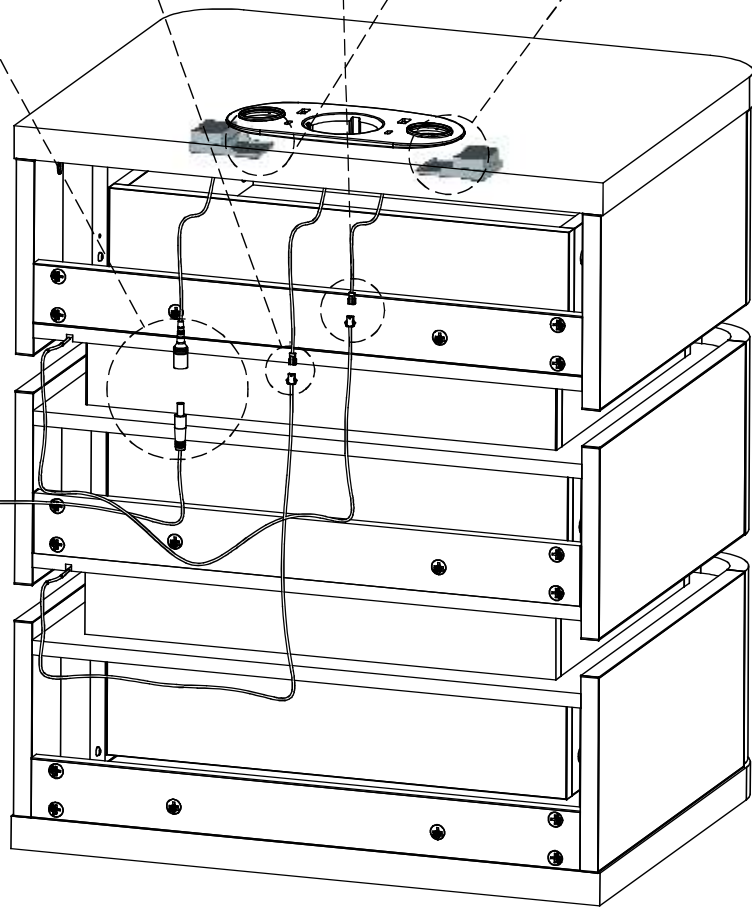
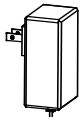
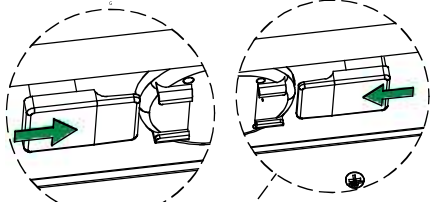
Step3




Step2

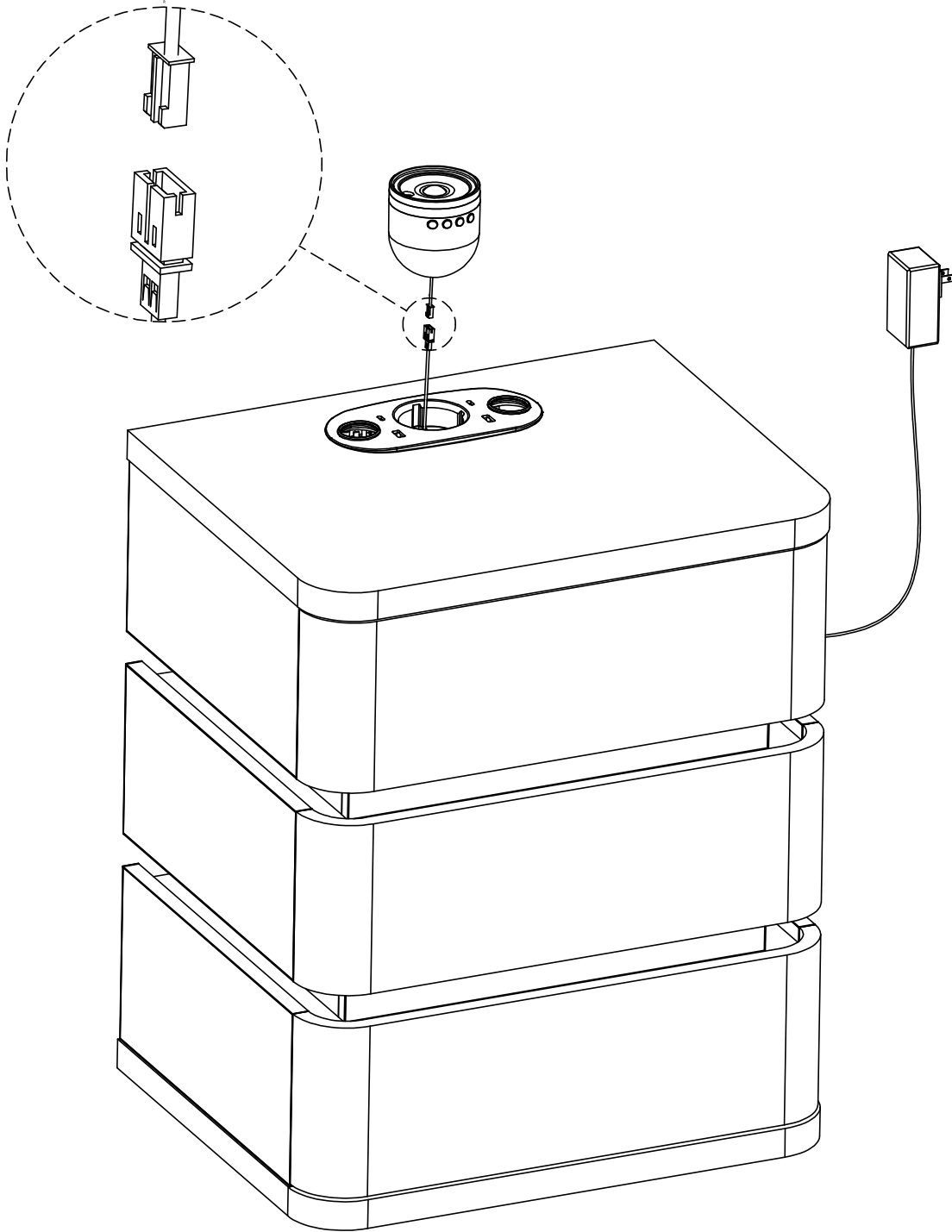



Step1



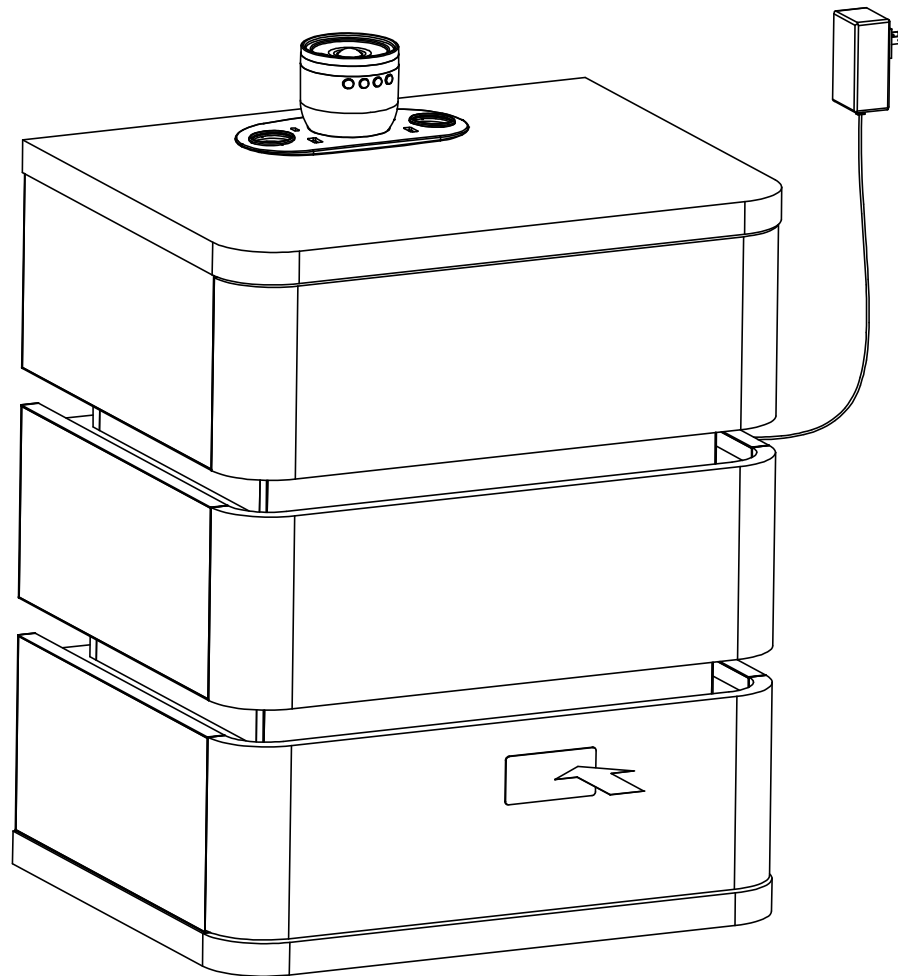
code	diagram	count
C		1

Step5



code	diagram	count
A		1

Step6



Place the IC magnetic card on the surface of the drawer and the magnetic induction lock will open.



User's Guide

Thank you for purchasing this product.

To use this product, please connect it to a power source.

Please use if the product works normally after connecting to power.

If bubbles appear on the panel, remove the protective film.

Introduction

The box is an intelligent controller. It has 1 USB port and 1 type-C port and 1 only music, It has 11 buttons for turning the lights on/off and adjusting the brightness, turning the motion sensor on/off, controlling the music.

Operation



This button is for the aurora projection on/off.

Single Click: Turn the aurora projection on/off.



This button turns the star point projection on/off.

Single Click: Star Points on/off.



This button is used for switching between different nebula lighting effects.

Single Click: Switch to different nebula colors.

Long press: Close Nebula.



This button is used to control the nebula speed.

Single Click: Adjusting the Nebula Speed (Slow - Fast - Stop).



This touch button is the on/off switch for the product's light.

Single Click: Turn the light on/off.

Double-click: Change color.

Long press: Adjust brightness.



This touch button is used to turn on/off the induction function.

It can auto-turn on the light when people are close to the controller in 1 meters.

It can auto power off the light when the body is far away from the controller after 30 seconds.

Single Click: Human induction turns on (indicator light on).

Click again: Human induction turns off (indicator light off).



This touch button is the Dynamic Phantom Color Mode.

Single Click: Switch dynamic lighting mode.

This touch button is the switch for audio device.

After long-pressing to power on, (a prompt tone indicates successful power-on) .



your phone will detect a Bluetooth device named "QU3000" ,Simply tap to connect to this device.

Once connected, you can play music from your phone through the device.

Long-press the button to turn off the audio device when not in use.

(a prompt tone will indicate successful shutdown).

Long press: Volume up



Long press: Volume down

Single Click: Previous song



Single Click: Next song



This touch button is used to switch between Bluetooth mode and USB mode.

Single Click: Switch to USB mode.

Click again: Switch to Bluetooth mode.



Only music

This port is only for playing songs from a USB drive and cannot be used for charging.



Close



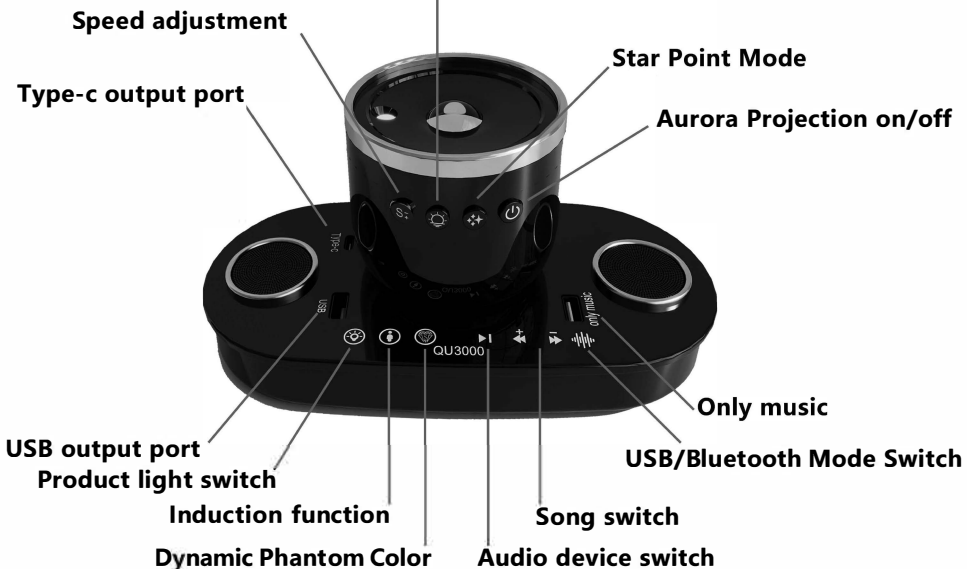
Open

Give away a USB flash drive



Do not shake to prevent wire breakage.

Switch the lighting effect



ATTENTION PLEASE

1. If there is no touch response suddenly, Re-plug the power to reset the touch static electricity.
2. If you have any questions when installing, please feel free to contact us. Thank you.

Touch button description



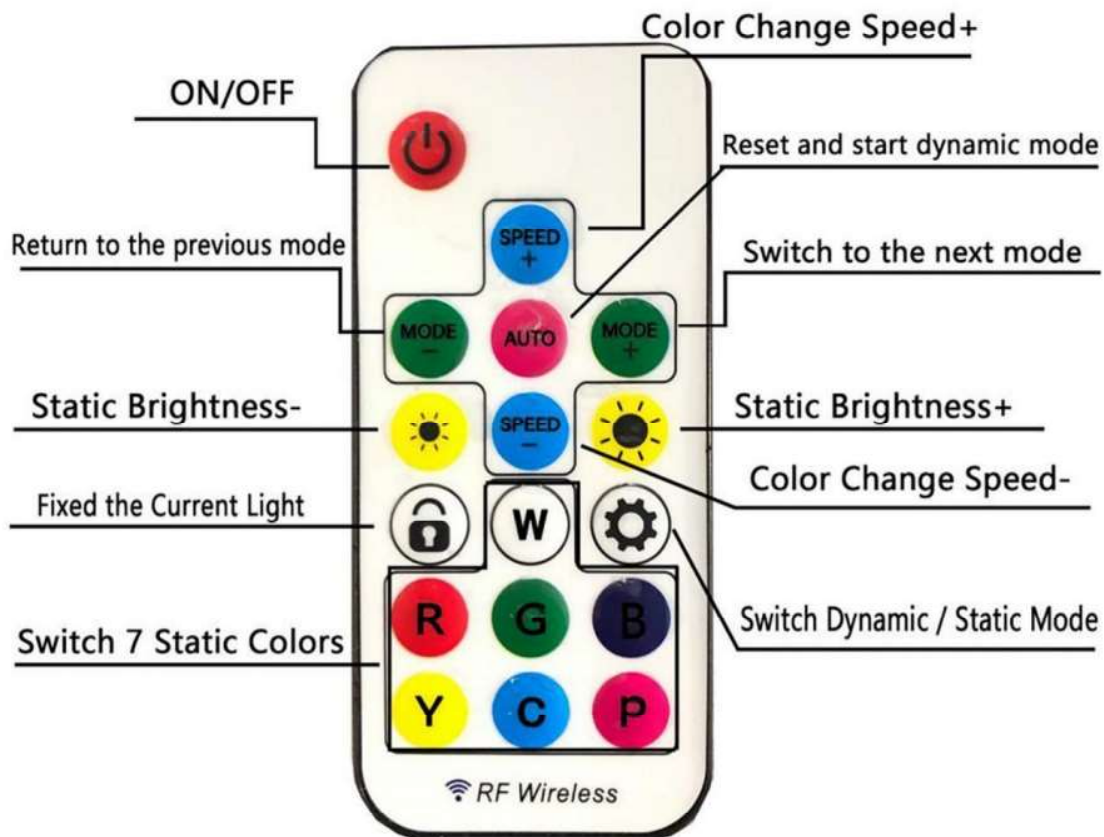
1. ON/OFF

2. Static Light Mode

(Long press to adjust brightness)

3. Dynamic Mode

(Long press to adjust speed)



LED Lights Controller-use instructions

Remote Battery: CR2025 3V

How to use the controller?

1. After inserting the DC power adapter, you can use the remote control to control the lamp. Press the "on/Off" button to turn on the light and enter the static light mode.

Long press the "on/Off" button to turn off the light.

2. There are 7 RGB Dynamic Modes. You can press the "MODE+/-" key to choose dynamic colors that you preferred and press the "Speed+/-" key to adjust color change speed.

3. There are 7 static colors: White / Red / Green/ Blue / yellow / ice blue/ pink light. You can press the "Brightness +/-" key to adjust the brightness.

4. You can press the "lock" key to fix the color you like. When you press the "Switch Dynamic /Static Mode" key, the light will change between dynamic mode and static mode.