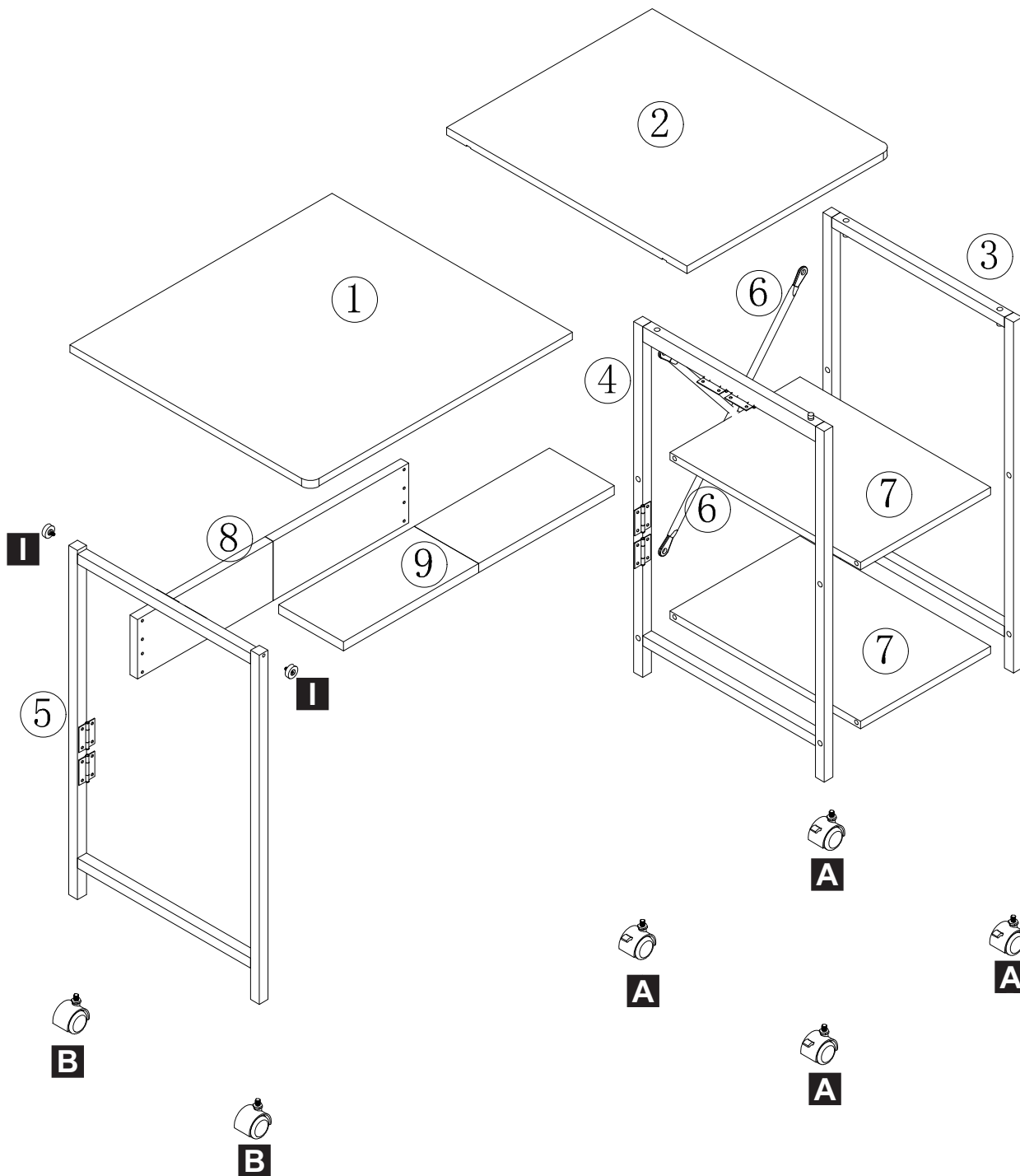

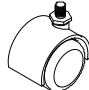
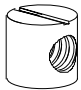
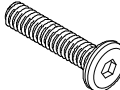
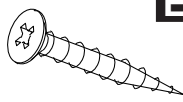
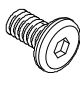
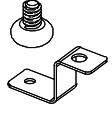
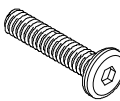
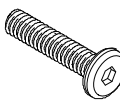

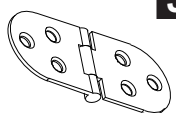
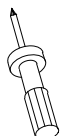

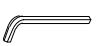
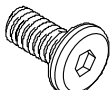


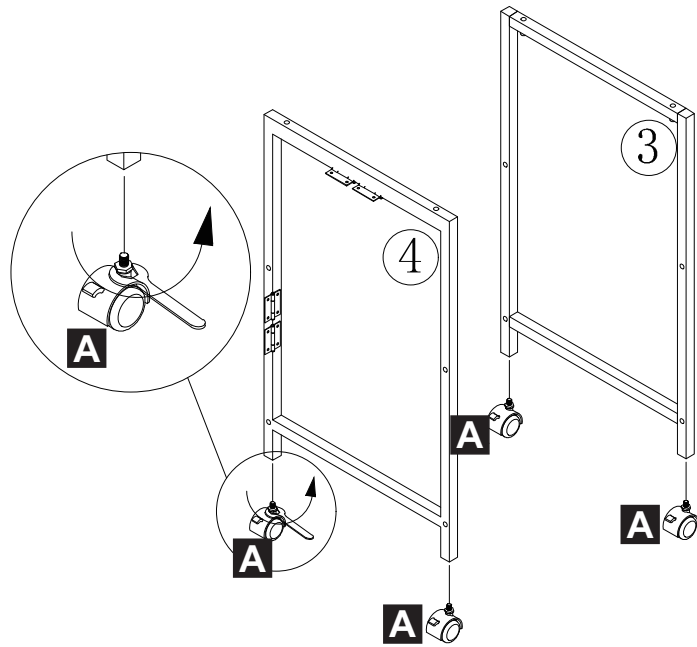
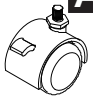
READ AND SAVE THIS INSTRUCTIONS FOR FUTURE USE

ASSEMBLY & INSTRUCTION MANUAL



 A x 4	 B x 2	 C x 8	 D x 8
 E x 34 M3.5*14	 F x 1 	 G x 2 M6*45	 H x 2 M6*30
 I x 2	 J x 3	  K x 1 	 L x 4 M6*12

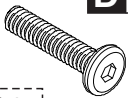
A x 4



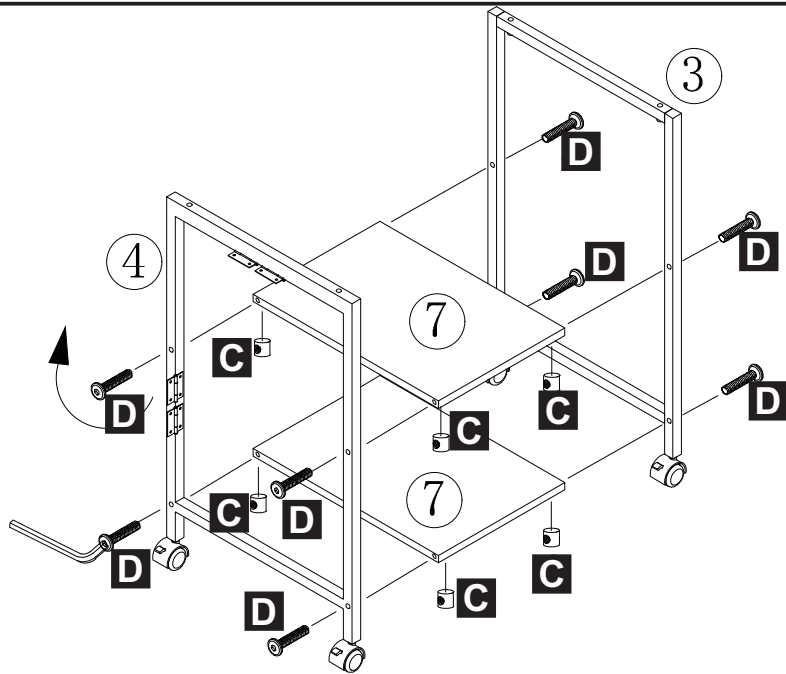
C x 8



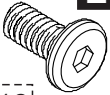
D x 8



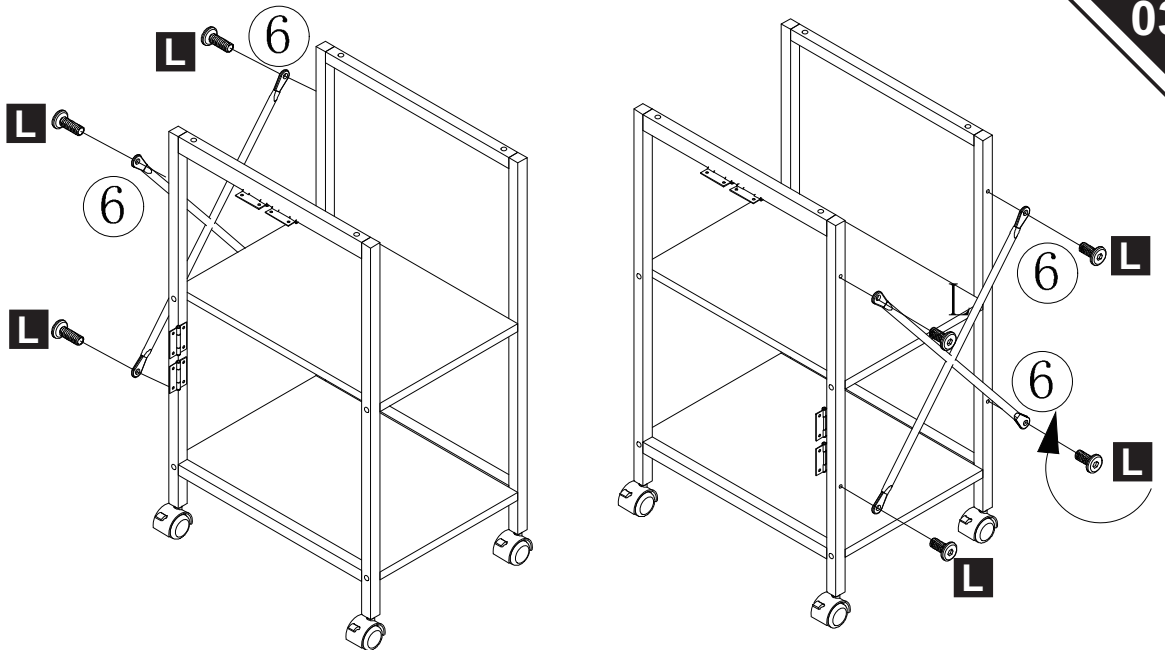
M6*45



L x 4



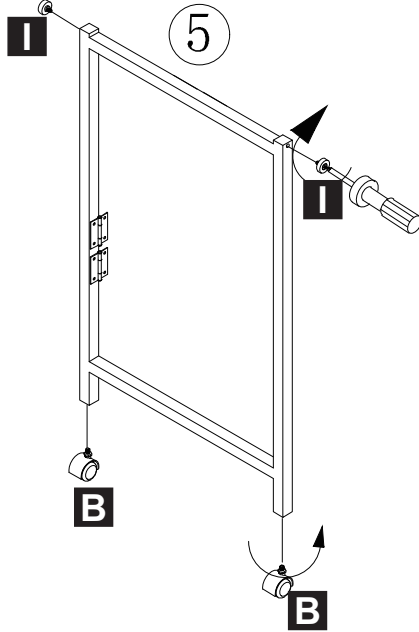
M6*12



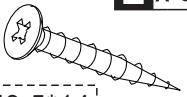
B x 2



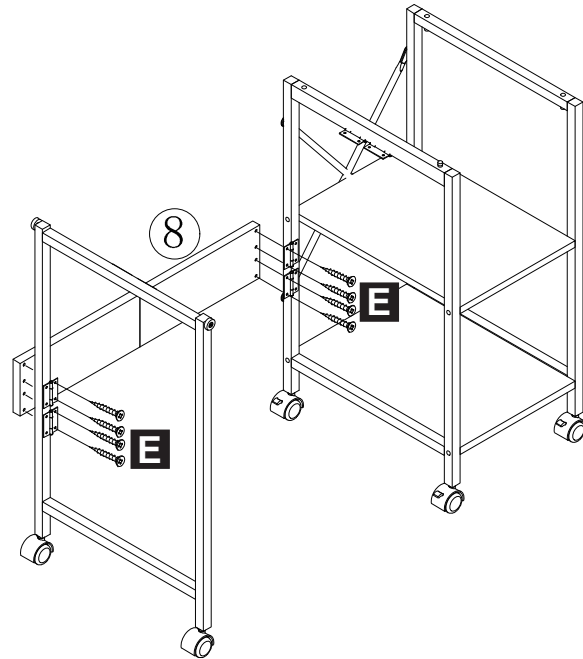
I x 2



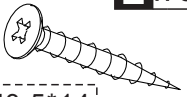
E x 8



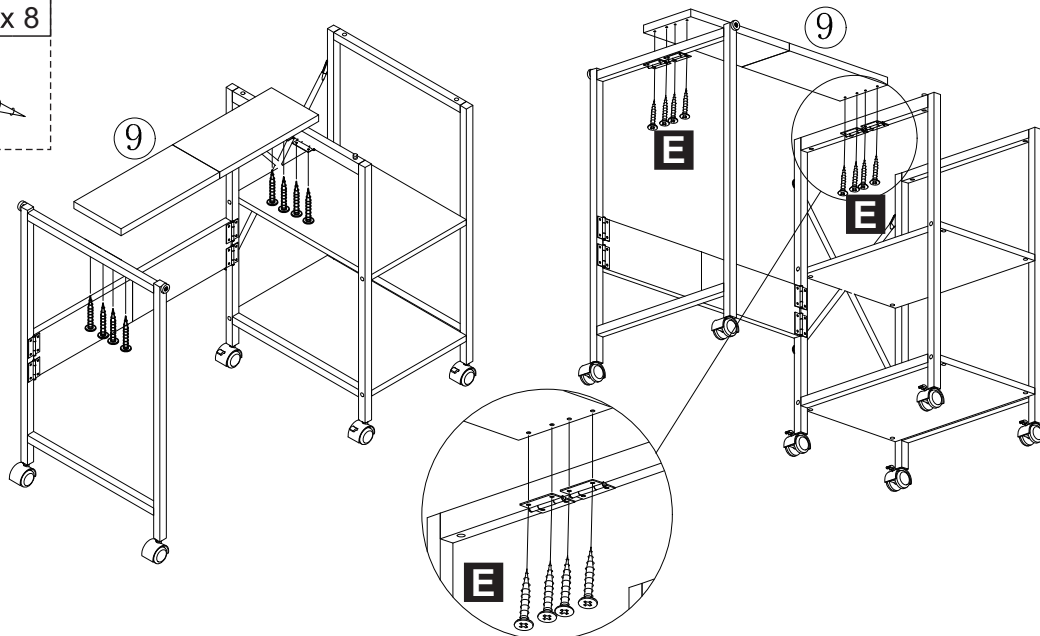
M3.5*14



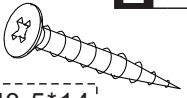
E x 8



M3.5*14

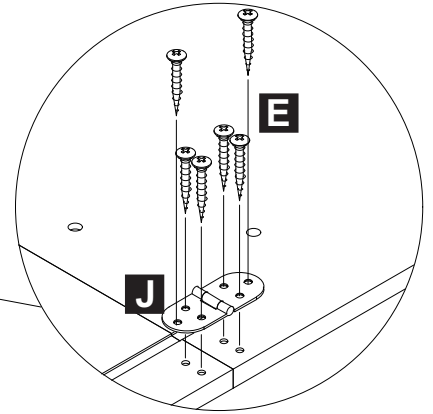
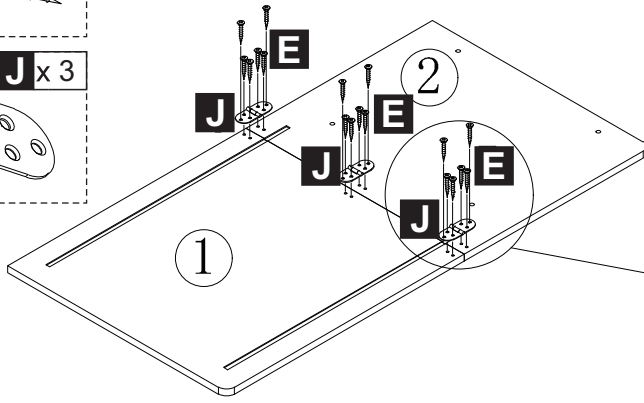
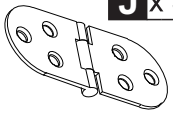


E x18

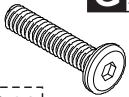


M3.5*14

J x3

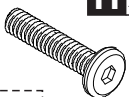


G x2

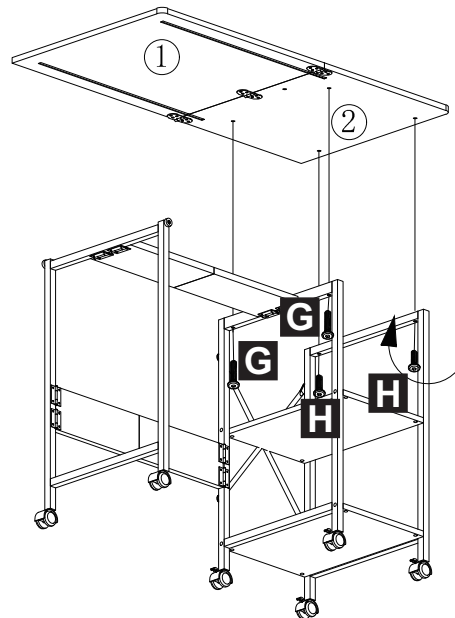
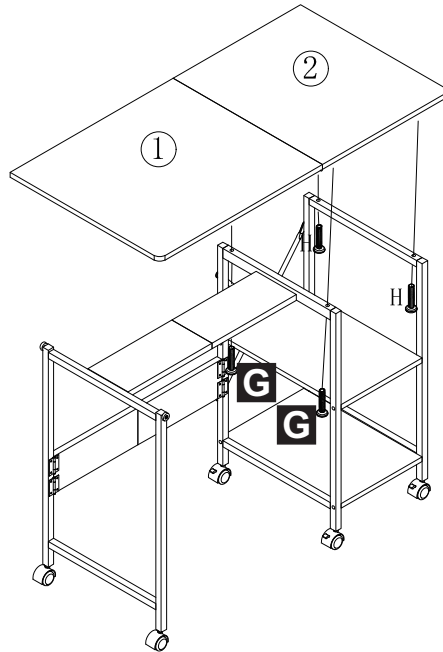


M6*40

H x2



M6*30



F x1

