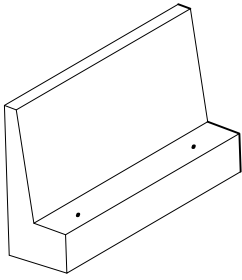


ASSEMBLY INSTRUCTIONS

ITEM NO.: RYS43

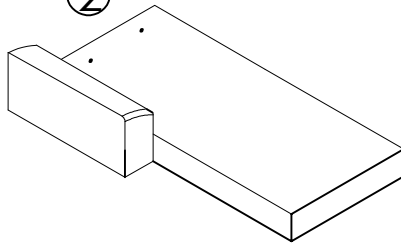
PARTS

①



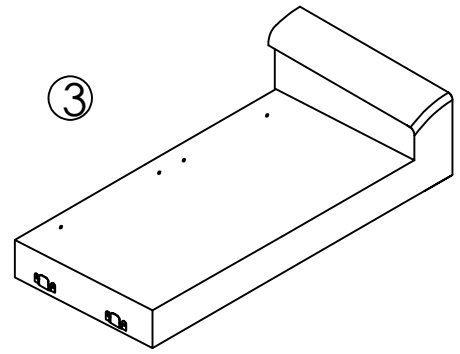
Back frame
- 3PCS

②



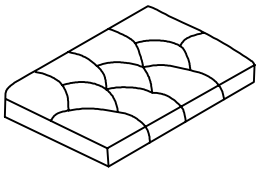
Chaise Seat frame
- 1PC

③



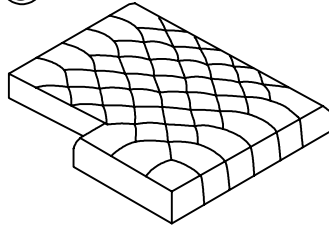
Sofa Seat frame
- 1PC

④



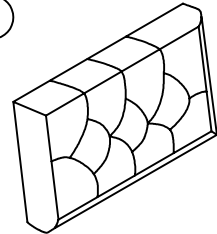
Sofa Seat cushion
- 2PCS

⑤



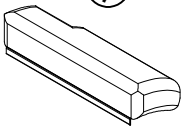
Chaise Seat cushion
- 1PC

⑥



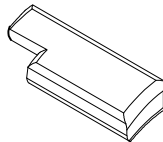
Back cushion
- 3PCS

⑦



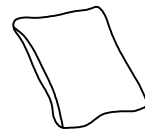
Left Arm cushion
- 1PC

⑧



Right Arm cushion
- 1PC

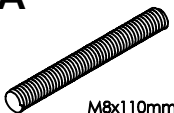
⑨



Pillow
- 3PCS

HARDWARE

A



M8x110mm
6PCS

B



Ø17xØ8
16PCS

C



Ø22xØ8
6PCS

D



22PCS

E



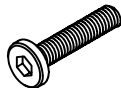
M8mm
6PCS

F



1PC

G



M8x30mm
16PCS

H



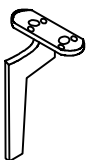
1PC

I



2PCS

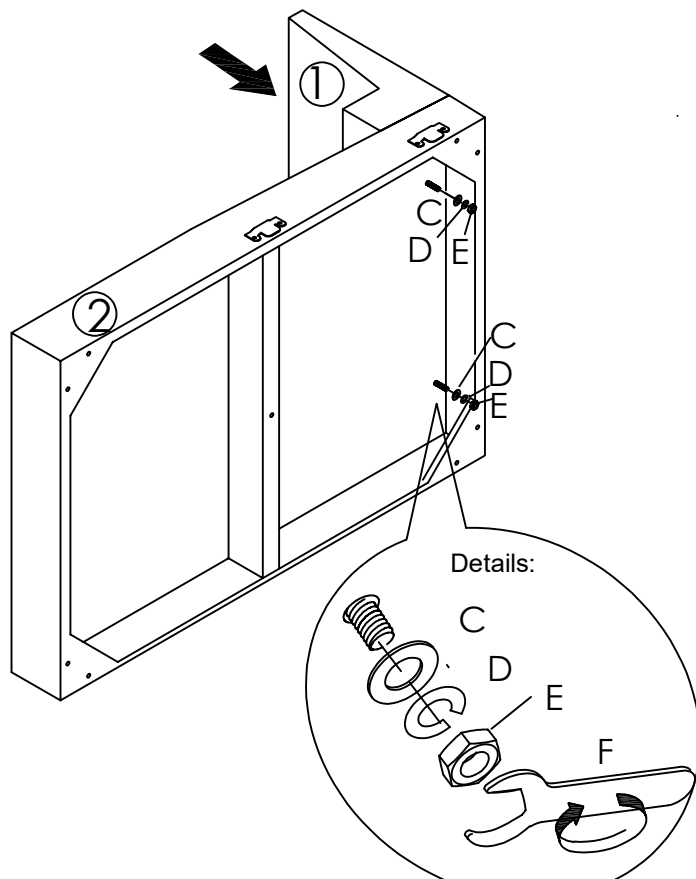
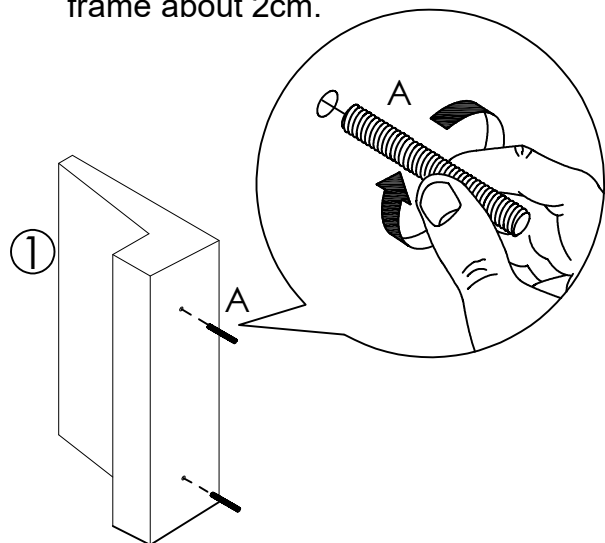
J



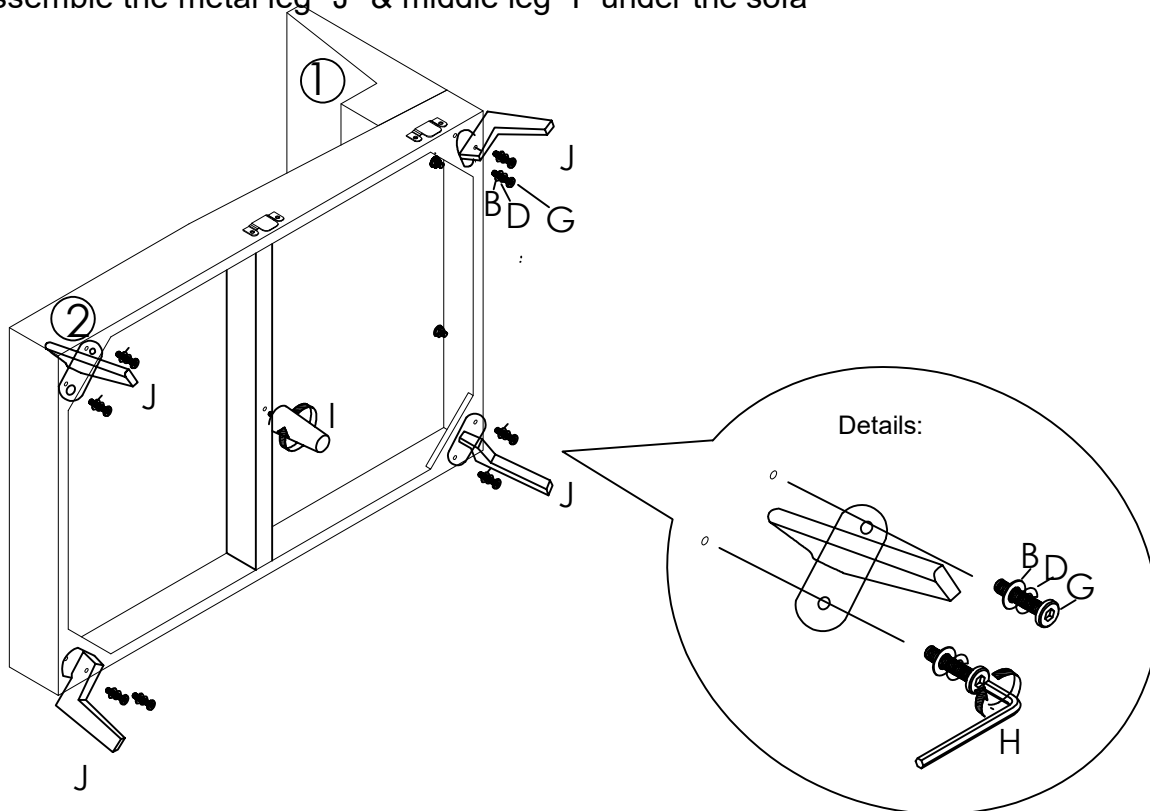
8PCS

Step 1:
Tighten 2 screws "A" into the back frame about 2cm.

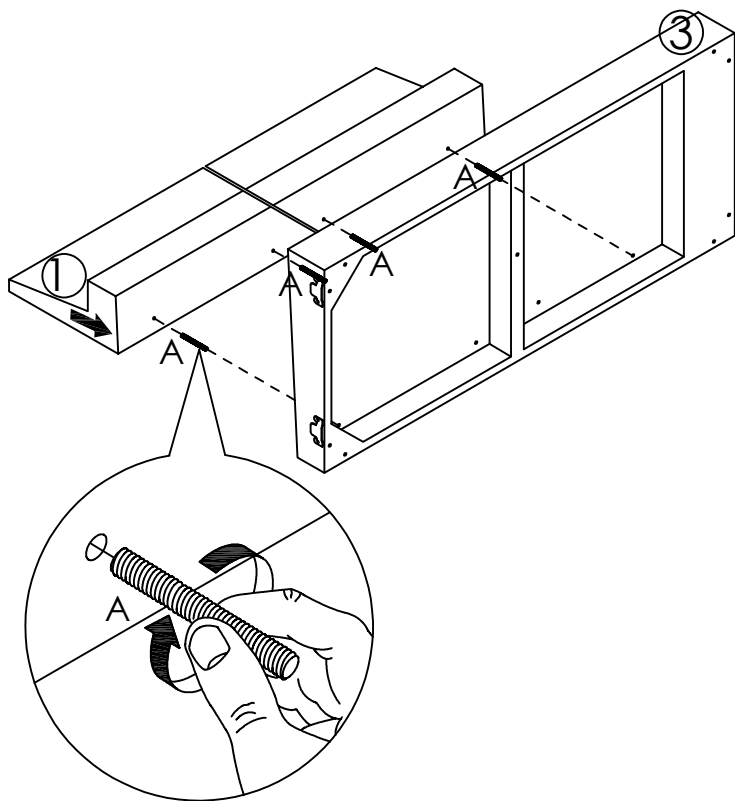
Step 2:
Insert the back frame to seat frame, then put the washer "C, D" , and nut "E", tighten the nut with wrench "F"



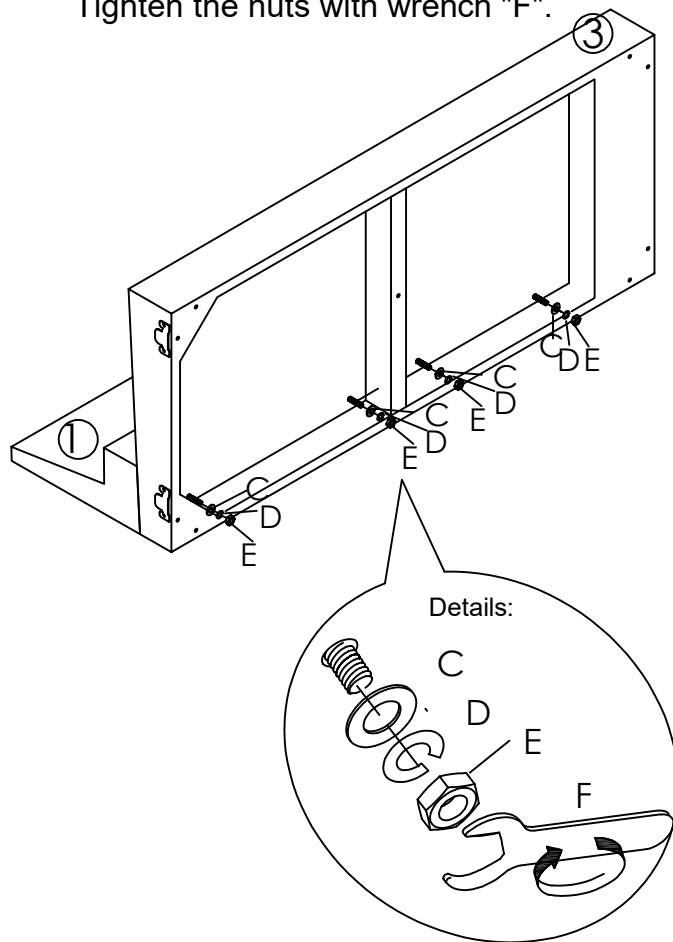
Step 3:
Assemble the metal leg "J" & middle leg "I" under the sofa



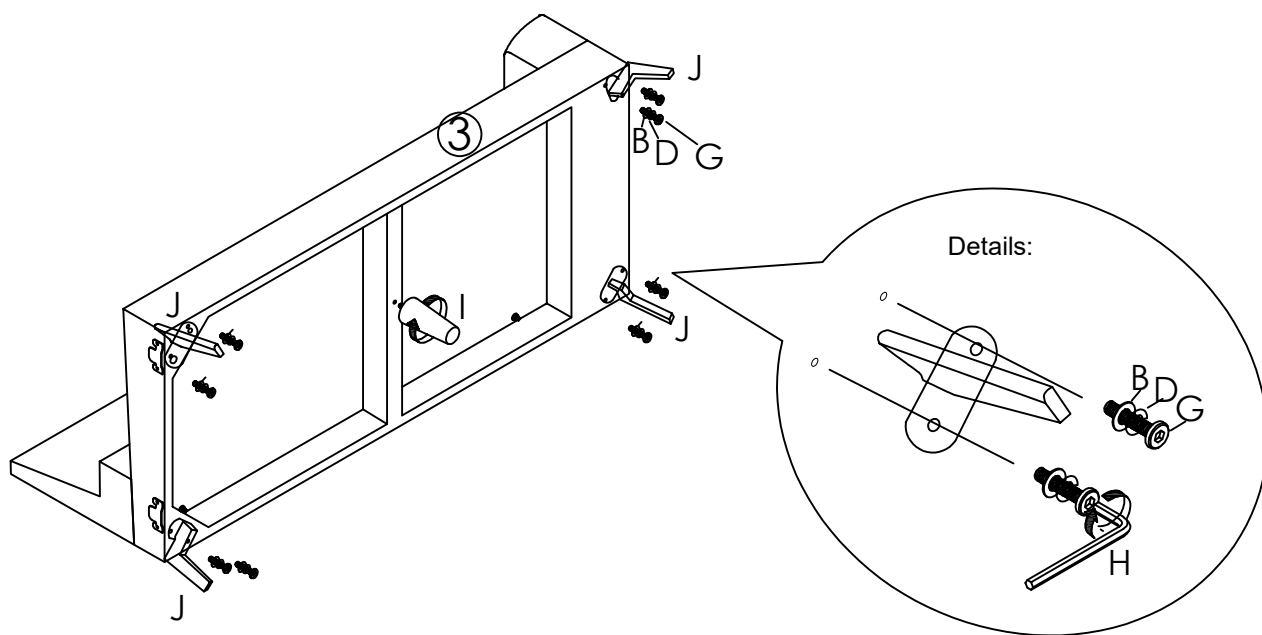
Step 4:
Tighten 2 screws "A" into each back frame
about 2cm.
Insert the back frame to seat frame,



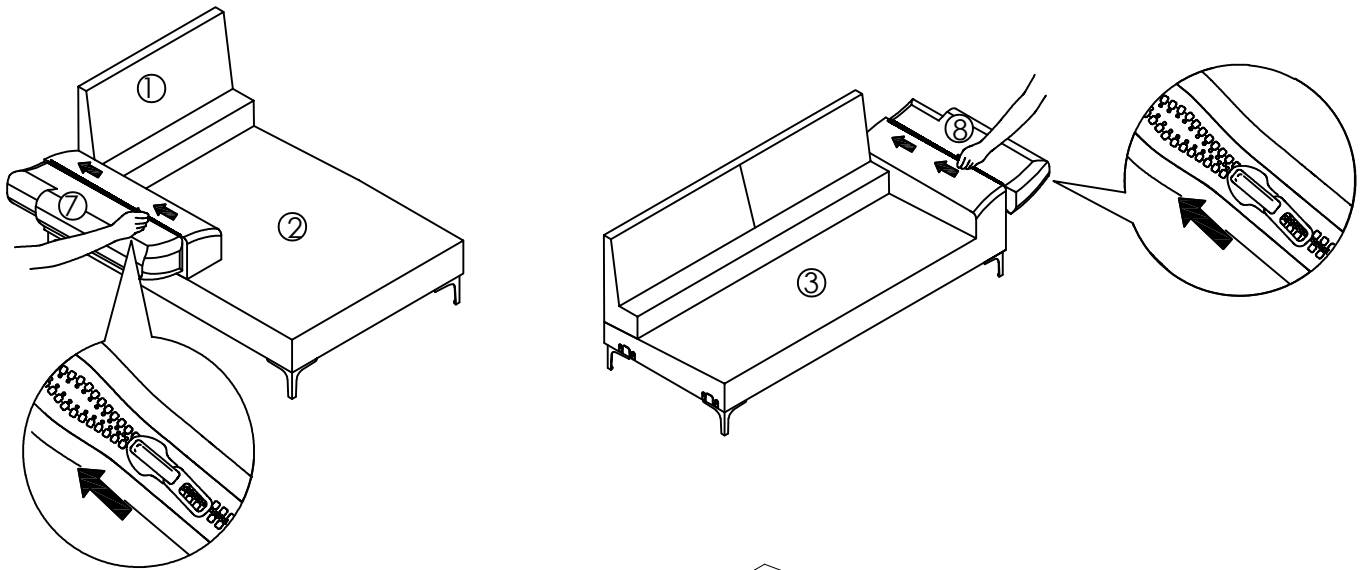
Step 5:
Put the washer "C, D", and nut "E",
Tighten the nuts with wrench "F".



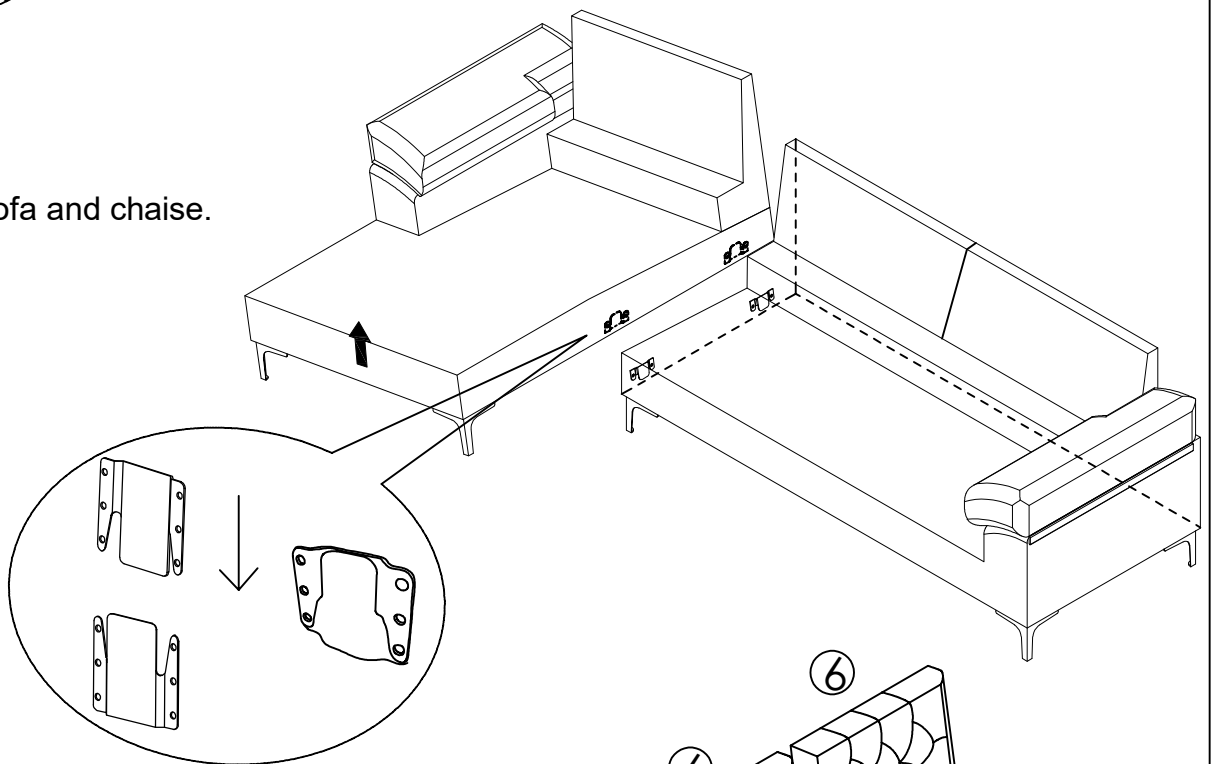
Step 6:
Assemble the metal leg "J" & middle leg "I" under the sofa



Step 7:
Zip the armrest, and stick the velcro.



Step 8:
Connect the sofa and chaise.



Step 9:
Remove the black strips on cushions.
Put the seat cushions and back cushions
on sofa. Press them to stick the Velcro.
Then the assembly is finished.

