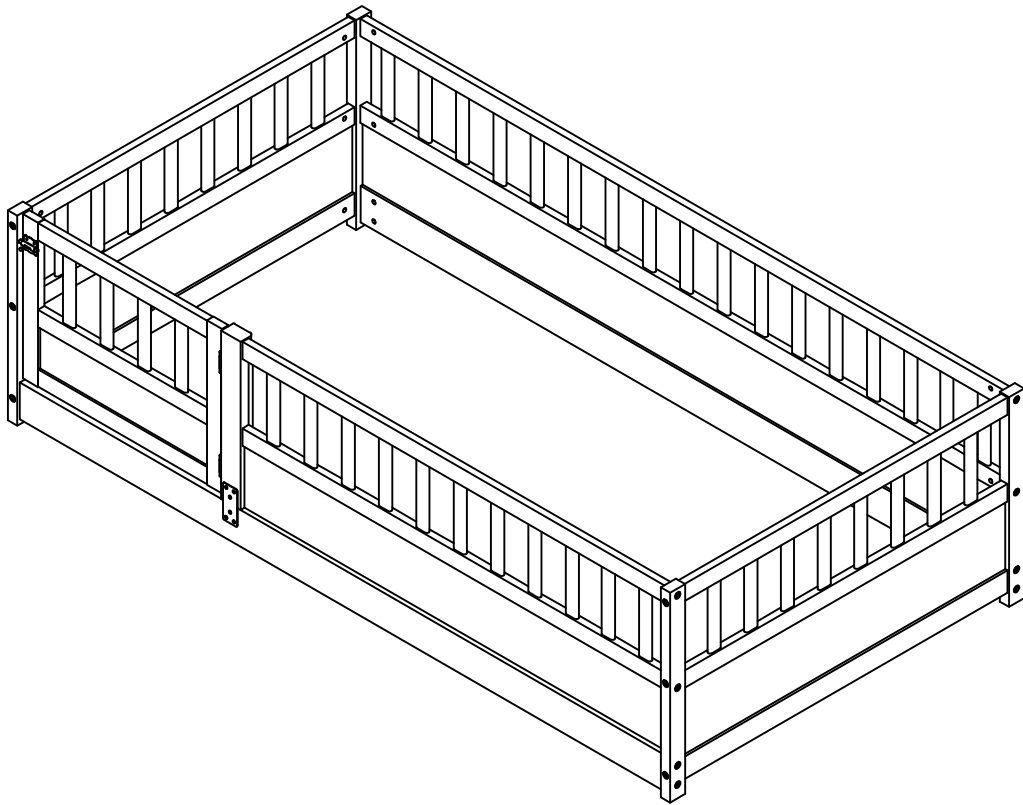


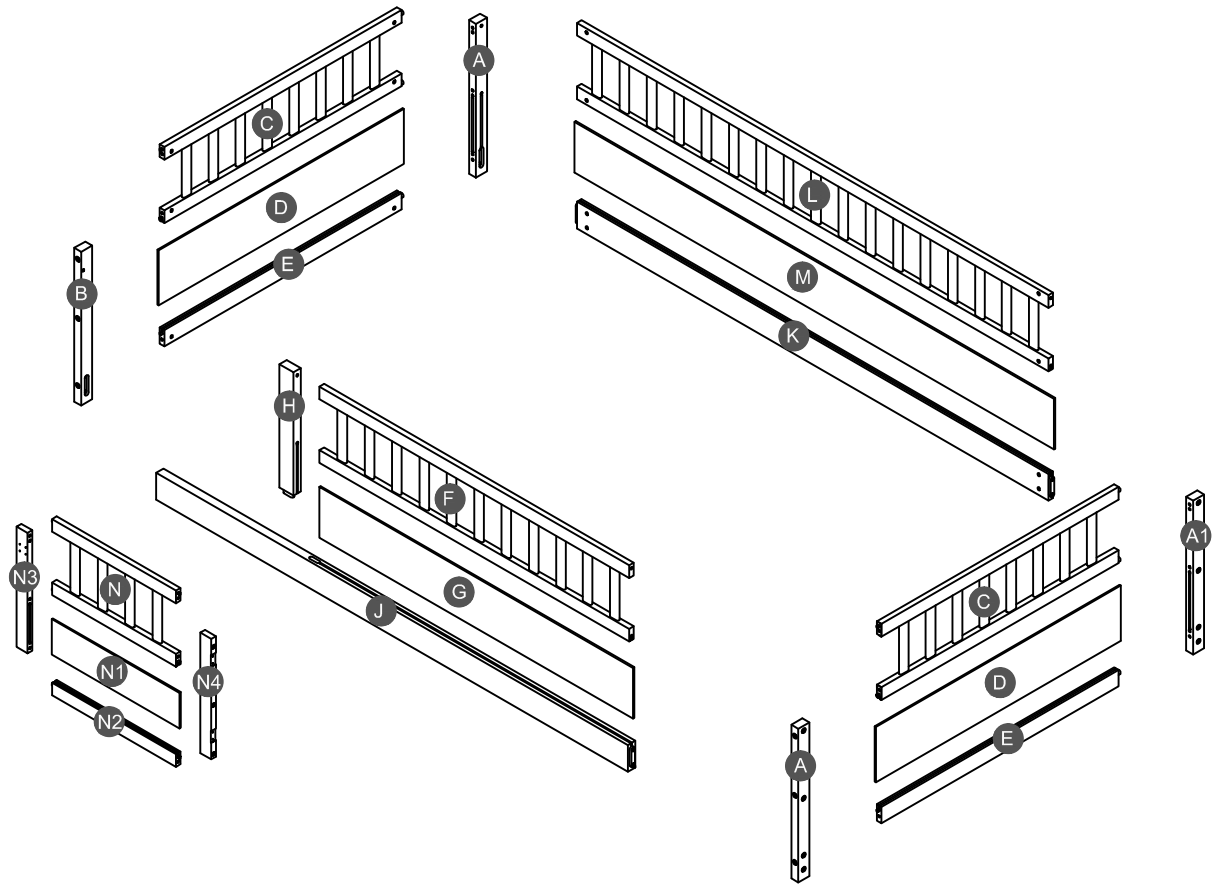
ASSEMBLY INSTRUCTIONS

TWIN FLOOR BED

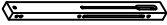
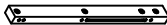
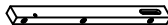
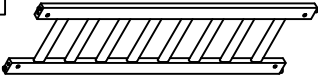


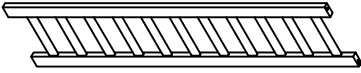
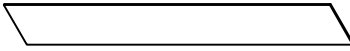


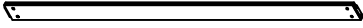

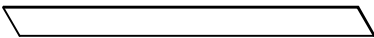
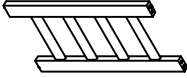


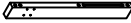
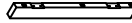


SWB007-008-015


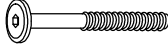
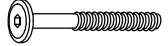


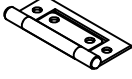
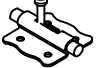
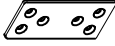
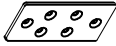
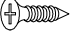
Detail View



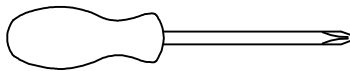
Part List

<p>A</p>  <p>Leg (Left Back/Right Front) - 2pcs</p>	<p>A1</p>  <p>Leg (Right Back) - 1pc</p>	<p>B</p>  <p>Leg (Left Front) - 1pc</p>
<p>C</p>  <p>Frame HB/FB - 2pcs</p>	<p>D</p>  <p>Side Panel HB/FB - 2pcs</p>	<p>E</p>  <p>Lower horizontal bar HB/FB - 2pcs</p>
<p>F</p>  <p>Guard rail (Front) - 1pc</p>	<p>G</p>  <p>Side Panel (Front) - 1pc</p>	<p>H</p>  <p>Vertical bar (Front) - 1pc</p>
<p>J</p>  <p>Side rail (Front) - 1pc</p>	<p>K</p>  <p>Side rail (Back) - 1pc</p>	<p>L</p>  <p>Guard rail (Back) - 1pc</p>
<p>M</p>  <p>Side Panel (Back) - 1pc</p>	<p>N</p>  <p>Frame door - 1pc</p>	<p>N1</p>  <p>Panel door - 1pc</p>
<p>N2</p>  <p>Lower horizontal bar door - 1pc</p>	<p>N3</p>  <p>Vertical bar door (Left) - 1pc</p>	<p>N4</p>  <p>Vertical bar door (Right) - 1pc</p>

Hardware List

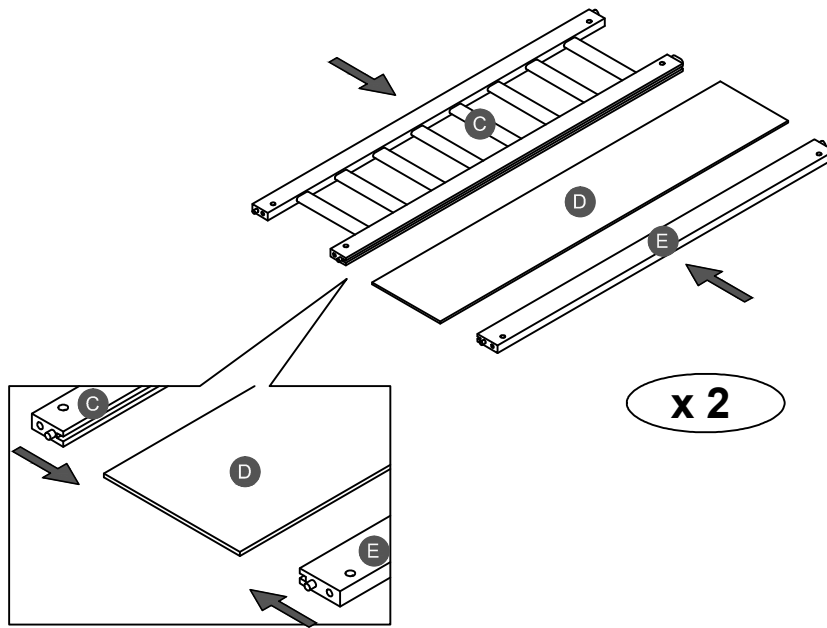
1  (Ø15)1/4"*100mm Hex-Head bolts (2pcs)	2  (Ø15)1/4"*80mm Hex-Head bolts (26pcs)	3  (Ø12)1/4"*70mm Hex-Head bolts (6pcs)
4  1/4"*15 (9.5mm) Horizontal-Hole bolts(34pcs)	5  (1/4")4.5*58mm Allen key (1pc)	6  55*27.5*7mm(180°) Hinges (2pcs)
7  60*38*10mm Lock (1pc)	8  100*44*1.5mm Metal bracket (1pc)	9  100*44*1.5mm Metal bracket (1pc)
10  Ø3.5*15mm Wood screws (24pcs)		

ASSEMBLY TOOLS REQUIRED (NOT INCLUDED)





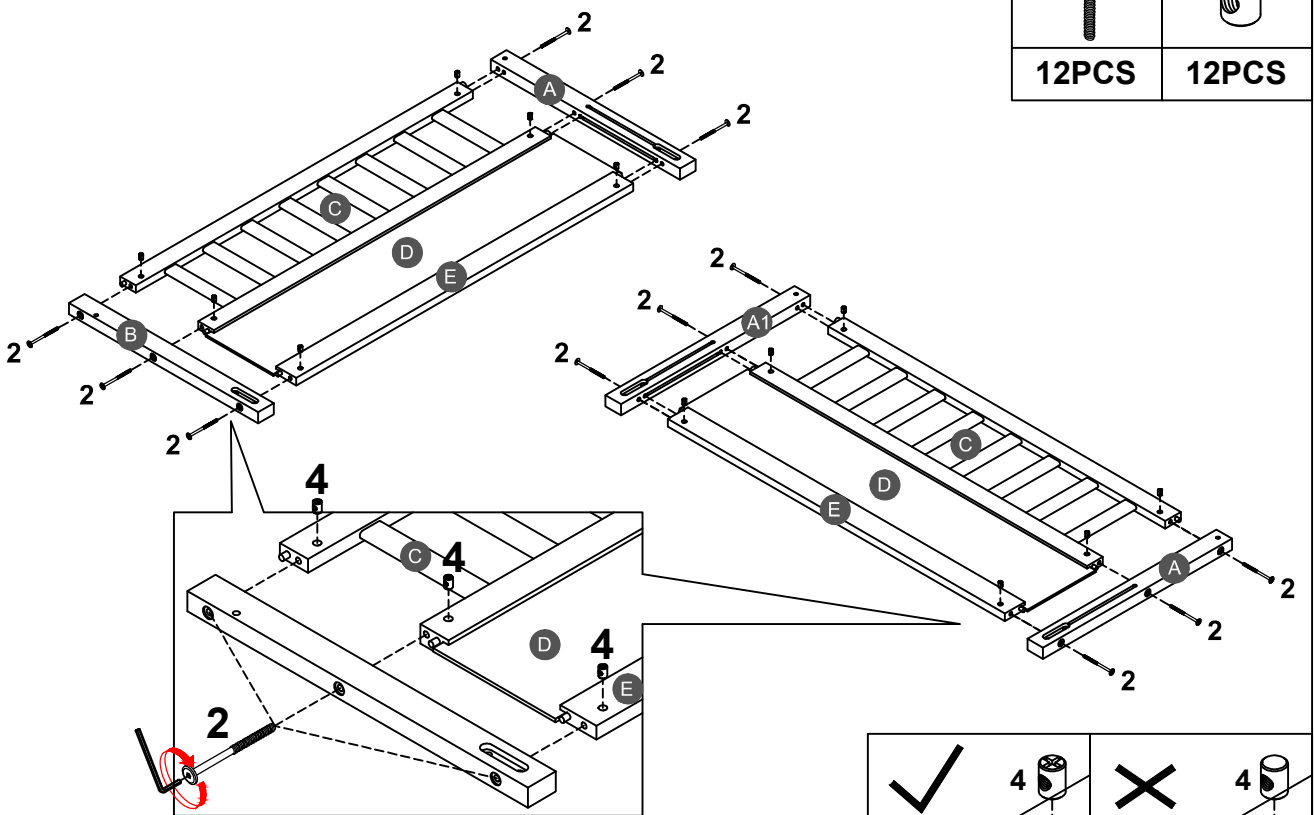
PLEASE BE CAREFUL DO NOT DAMAGE THE HOLE POSITION WHEN YOU USE POWER TOOLS !

STEP 1:

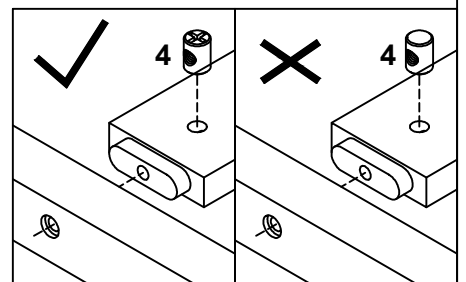


STEP 2:

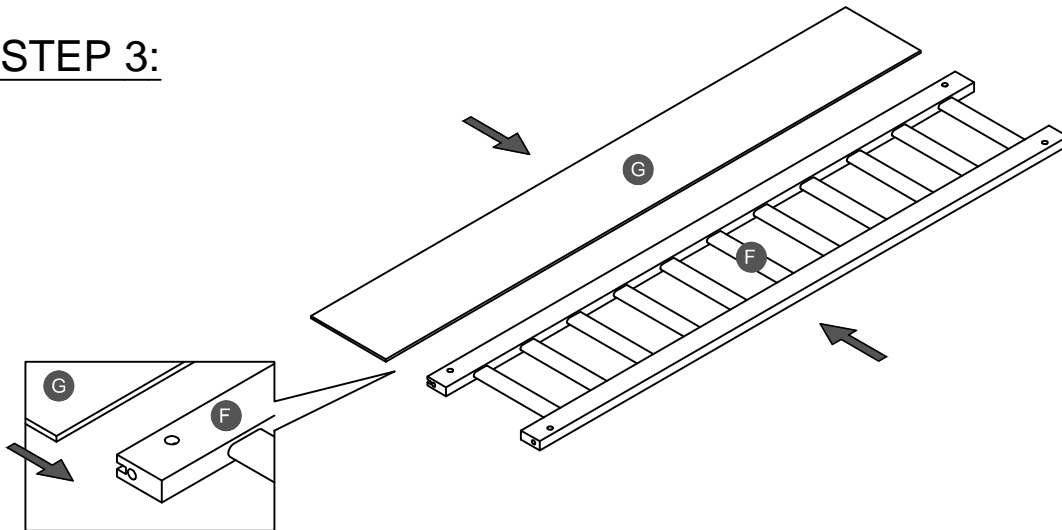
2		4	
12PCS		12PCS	



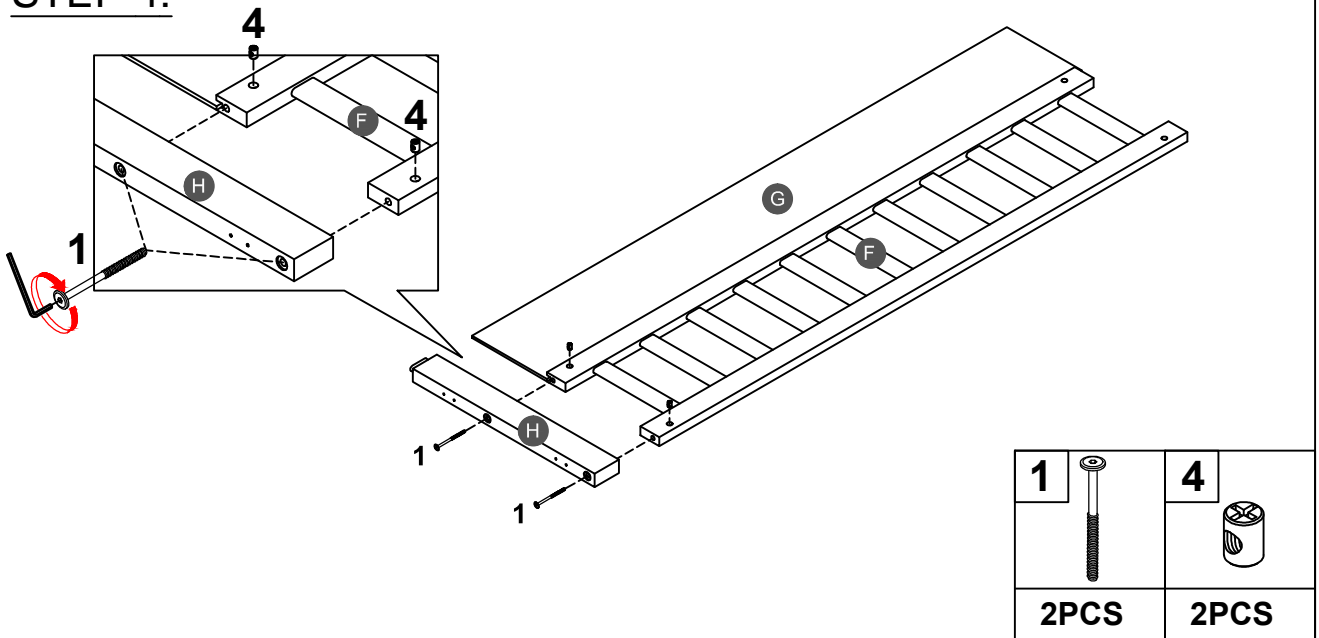
Note: Part 4 will face up with the "x" mark on it, otherwise it cannot be tightened



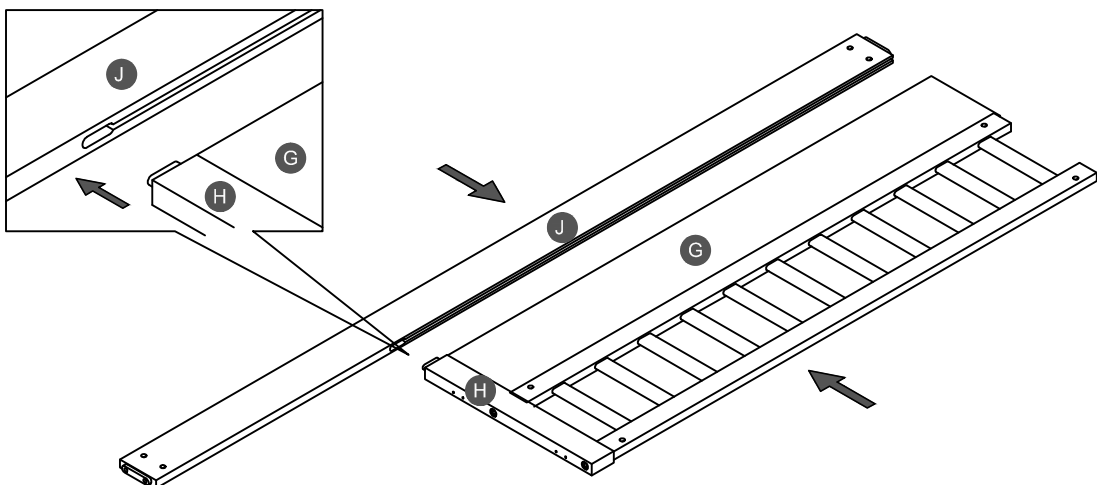
STEP 3:



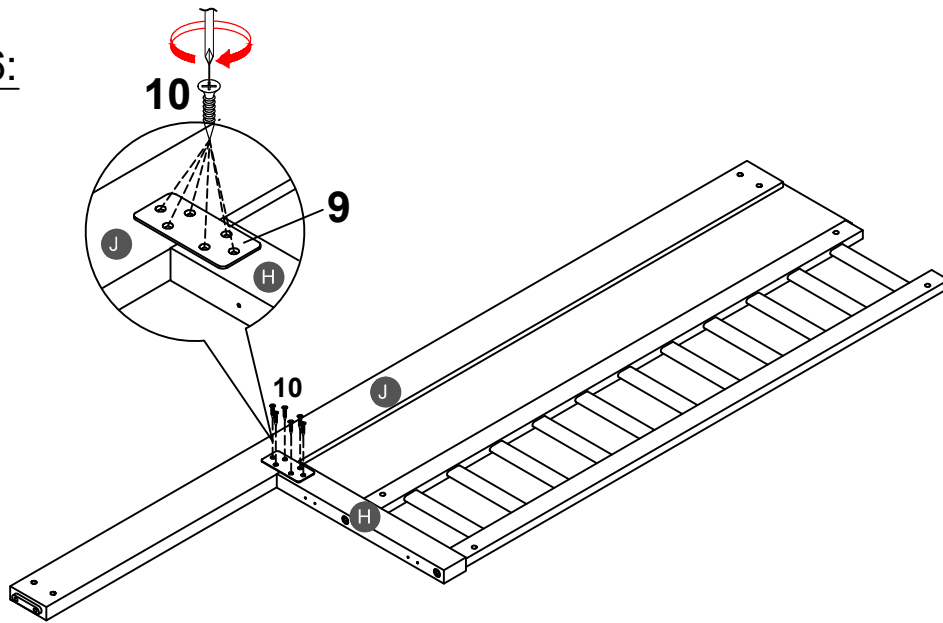
STEP 4:



STEP 5:



STEP 6:



9



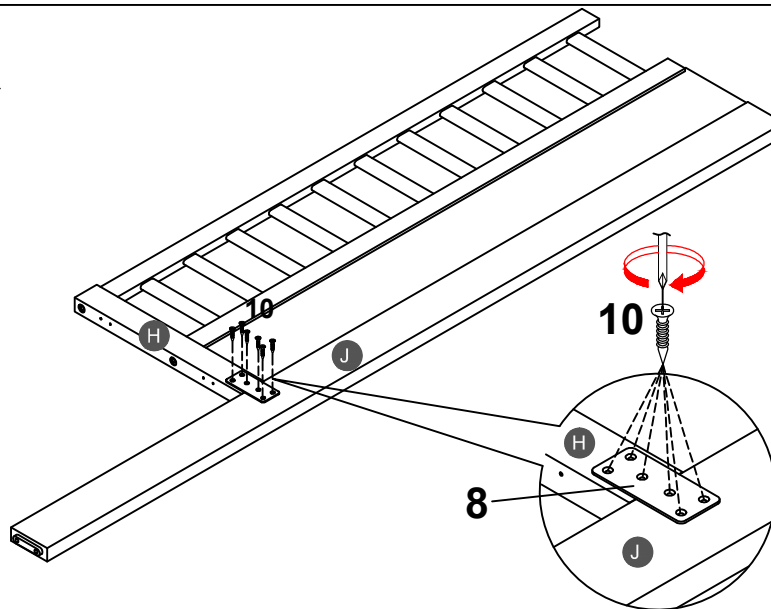
1PC

10

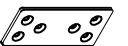


6PCS

STEP 7:



8



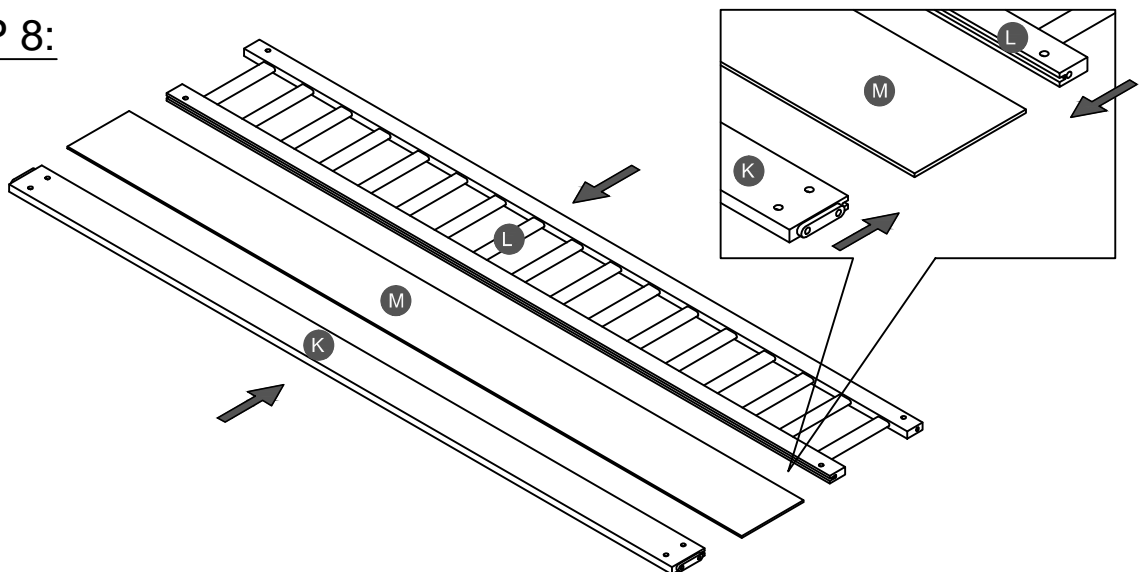
1PC

10





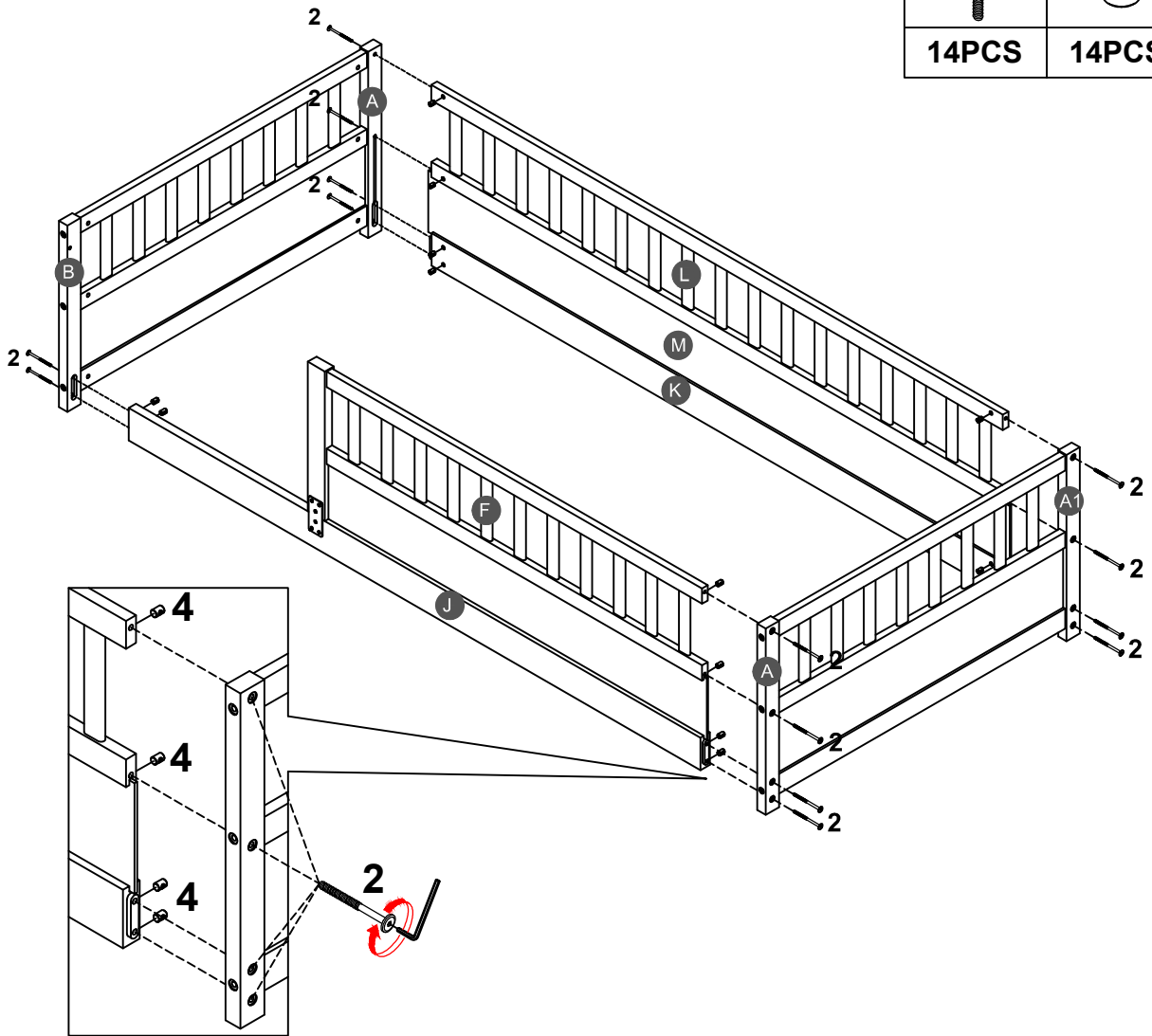
6PCS

STEP 8:

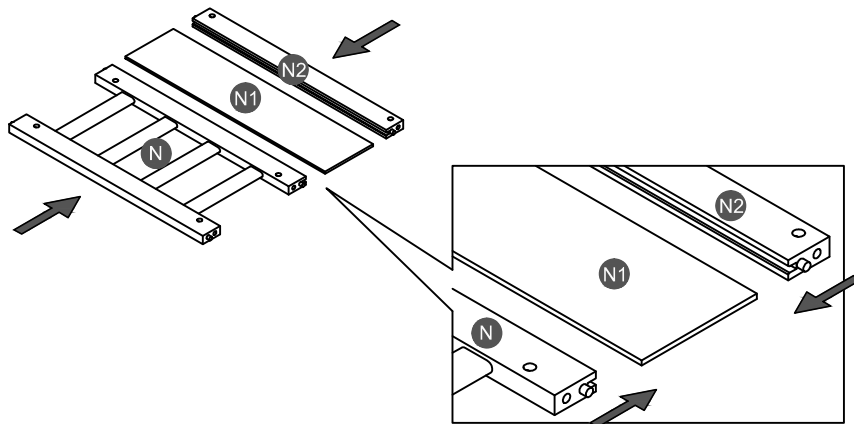


STEP 9:

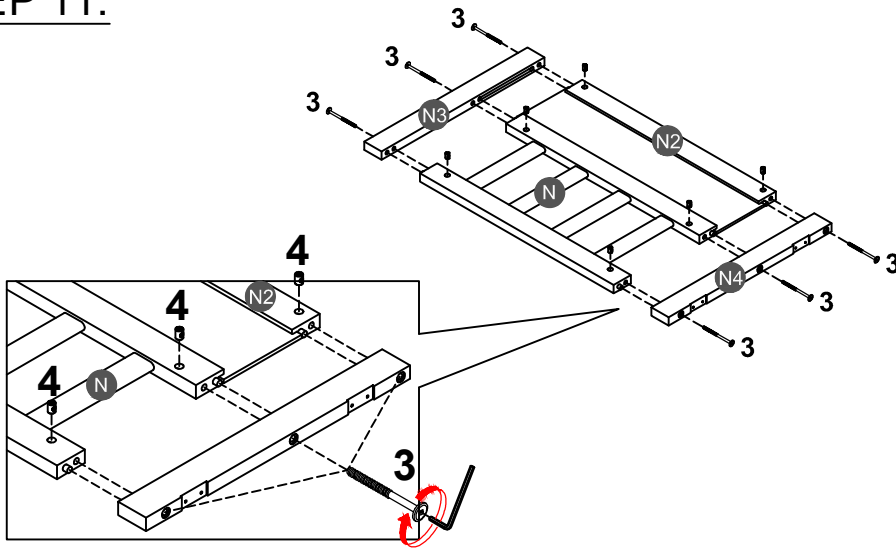
2		4	
14PCS		14PCS	





STEP 10:

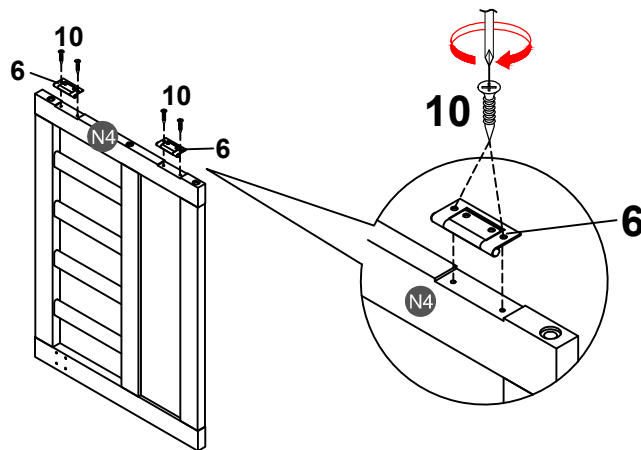


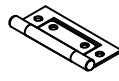

STEP 11:



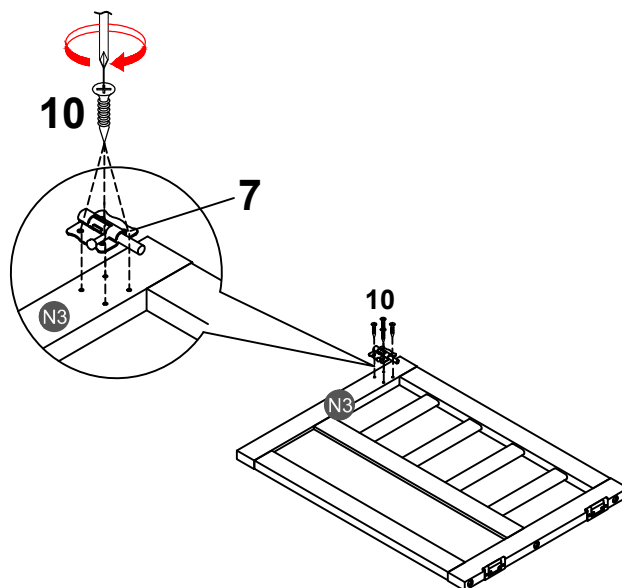
3		4	
6PCS		6PCS	



STEP 12:



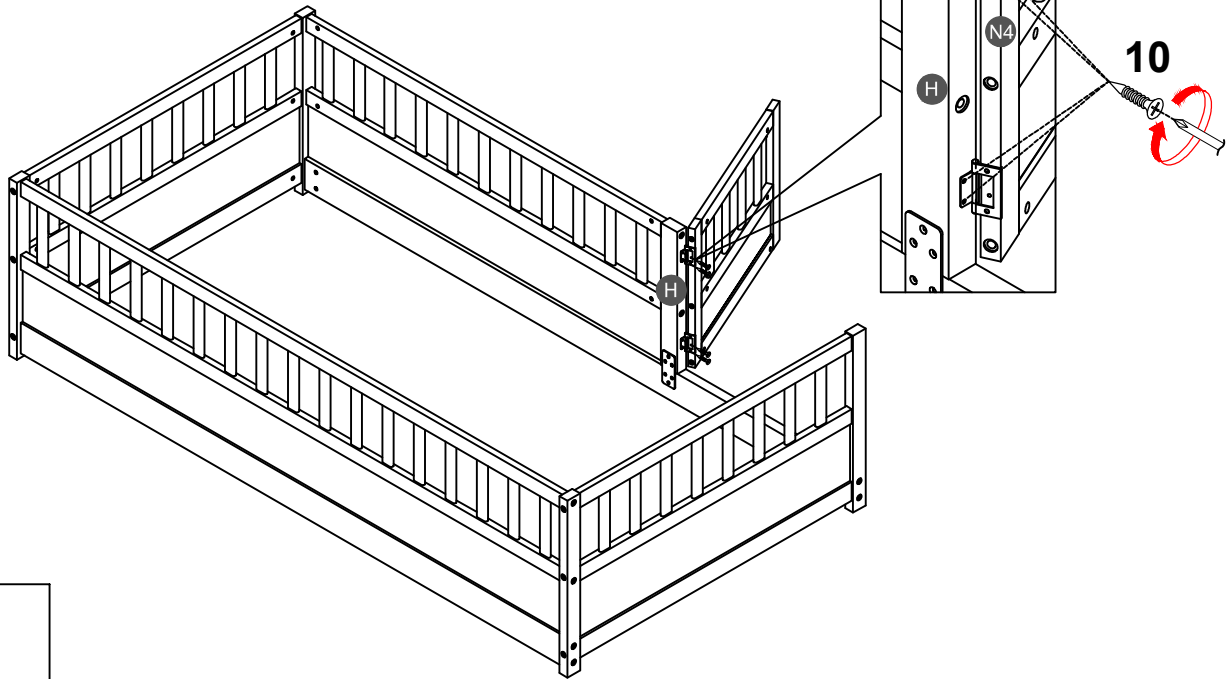
6		10	
2PCS		4PCS	

STEP 13:



7		10	
1PC		4PCS	

STEP 14:



10



4PCS

STEP 15:

