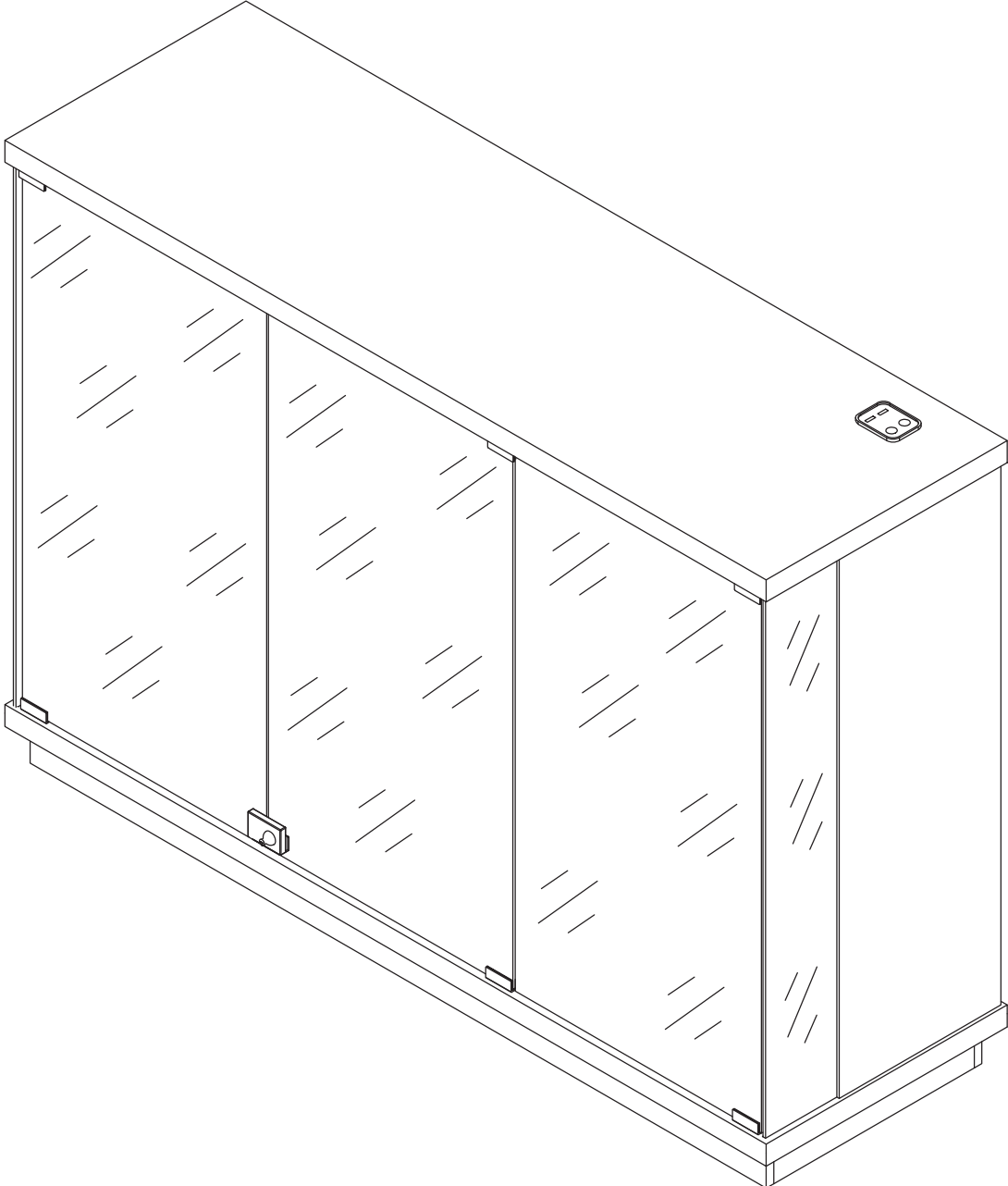
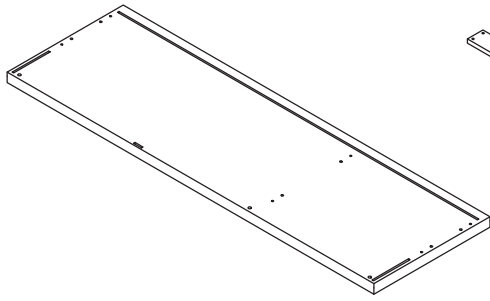
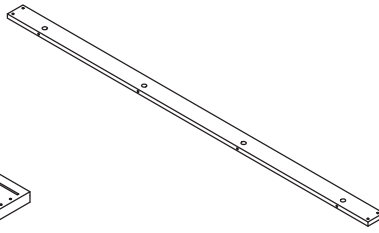


Product Installation Instructions

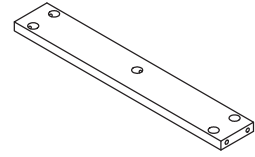




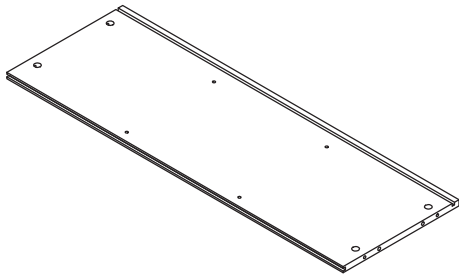
A x1



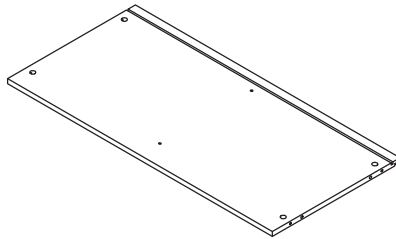
B x2



C x2



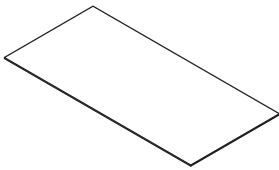
D x1



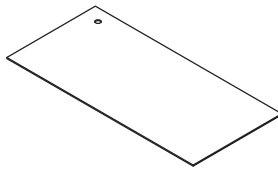
E x1



F x1



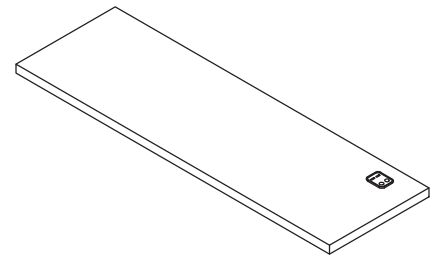
G1x1



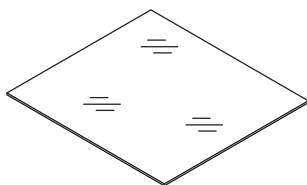
G2x1



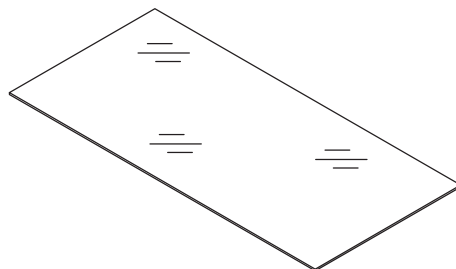
H x2



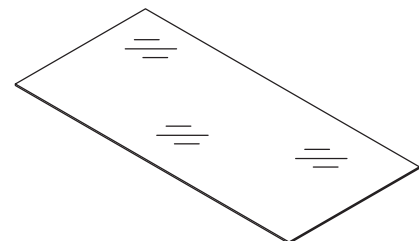
I x1



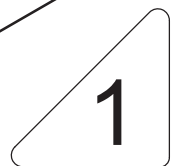
J x2



K x1

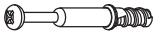

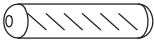










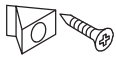
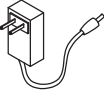










L x3

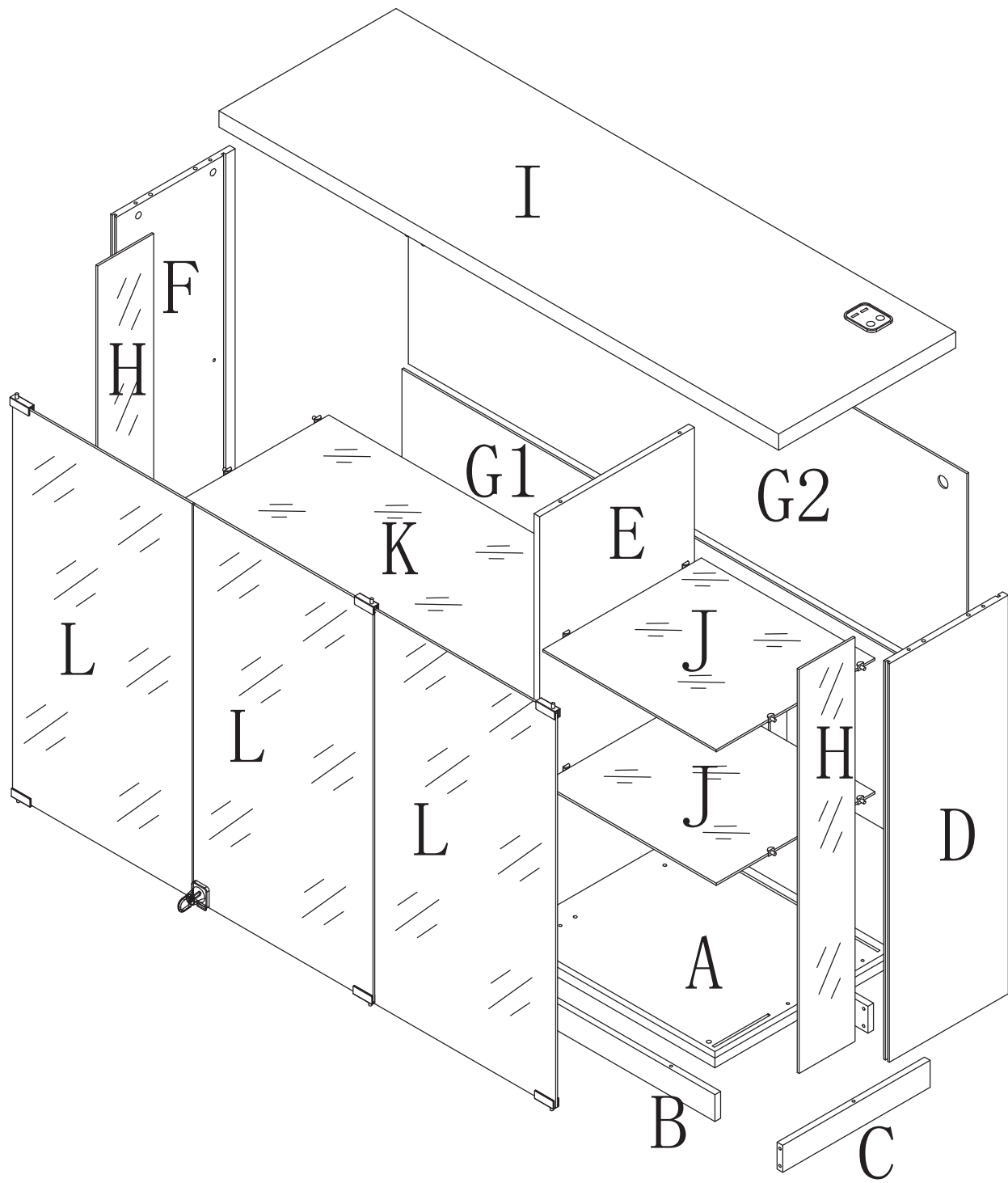


1

Accessories list

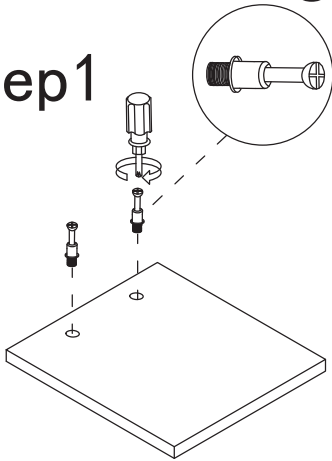
①		Two In One Screw (6x28mm)	30pcs +3pcs
②		Two In One Nut (10x12mm)	30pcs +3pcs
③		Wood Chipping (6x30mm)	10pcs +2pcs
④		Non-slip pads (50x10x2mm)	10pcs +2pcs
⑤		Back panel fasteners (1164mm)	1pcs
⑥		Rebound device & Screw (3x16mm) Iron sheet Hinge	1pcs 4pcs
			1pcs 1pcs
			2pcs 1pcs
⑦		Rebound device & Screw (3x16mm) Iron sheet Hinge	1pcs 4pcs
			2pcs 2pcs
			4pcs 2pcs
⑧		Laminate support nail	12pcs +2pcs
⑨		Single door glass lock Key	1pcs
⑩		Fixing clip & screw (3x16mm)	10pcs +2pcs
⑪		AC/DC Adapter (12V=3.0A)	1pcs
⑫		Back panel fasteners	1pcs
⑬		nail	1pcs
⑭	Anti Fall Hardware	 x2  x2  x2 (3.5x14mm)  x2 (4x45mm)  x4	
 1pcs Double-head screwdriver, use as required			2

Product structure decomposition

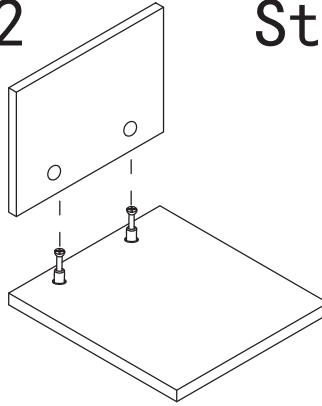


Use parts ① and ②

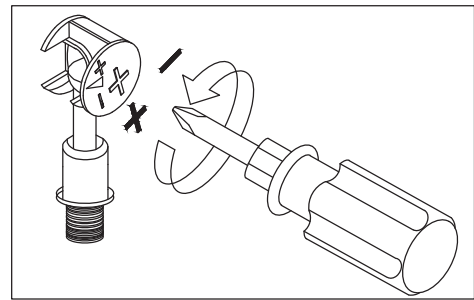
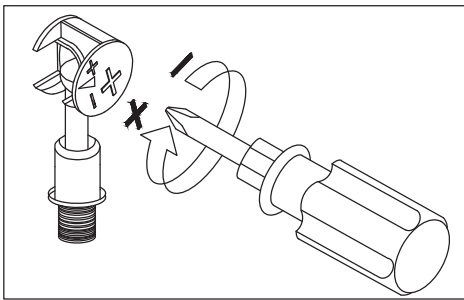
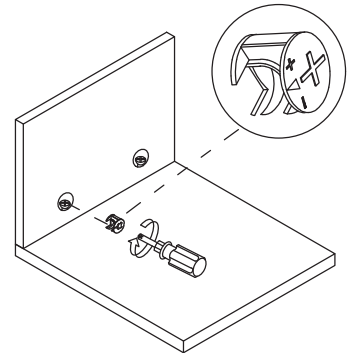
Step 1



Step 2



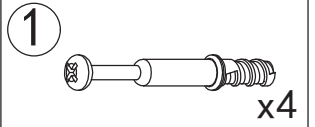
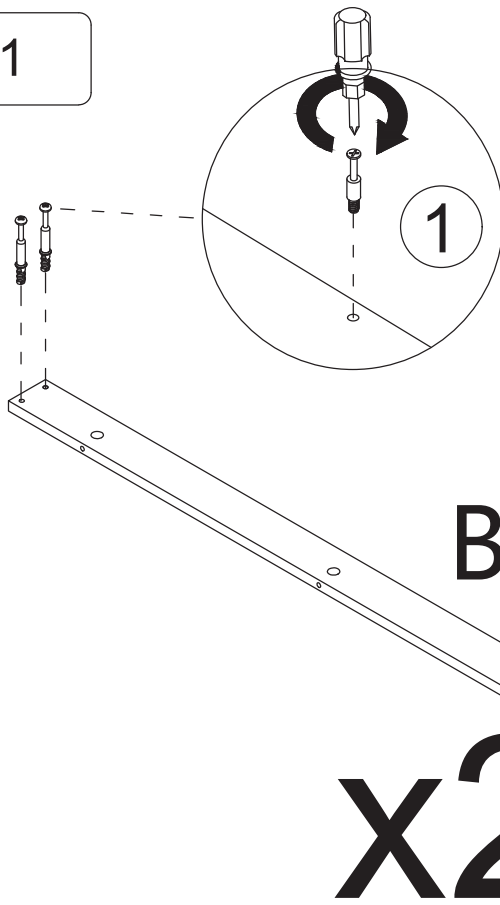
Step 3



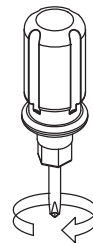
Use a screwdriver to lock in the direction of the "+" sign

Disassemble along the direction of "-" sign

Step 1

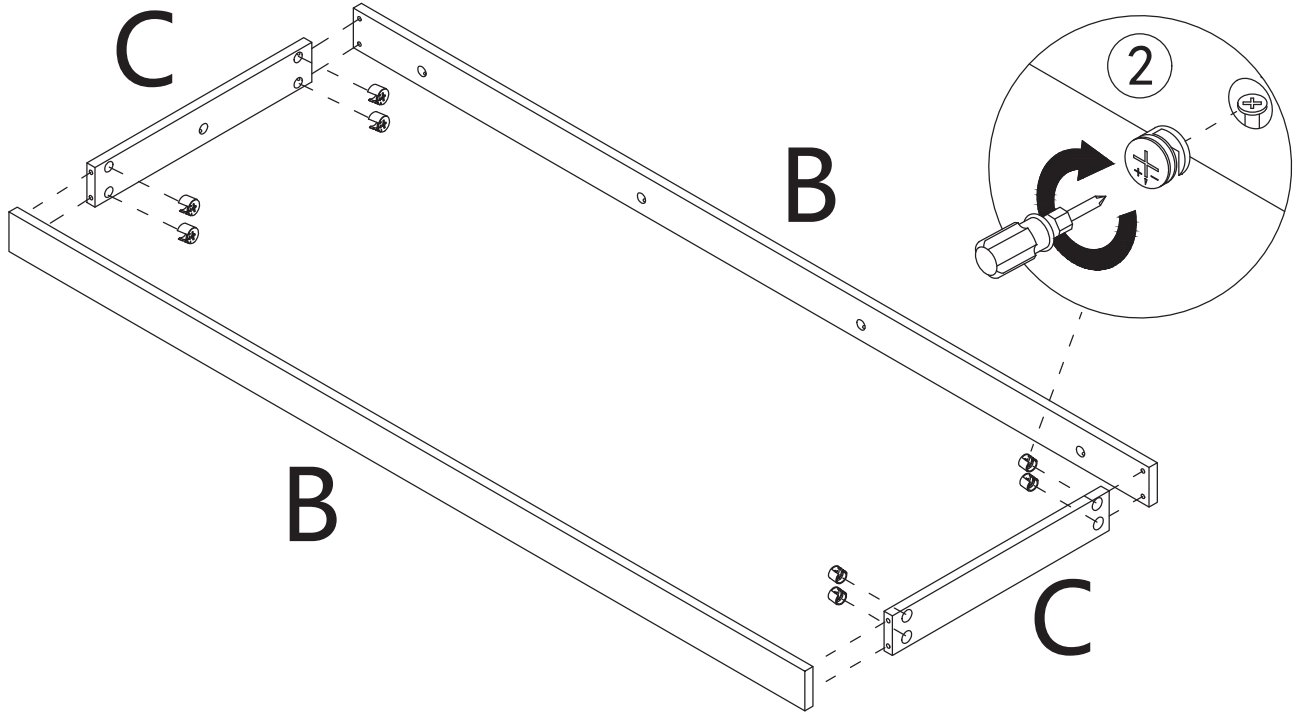


x2

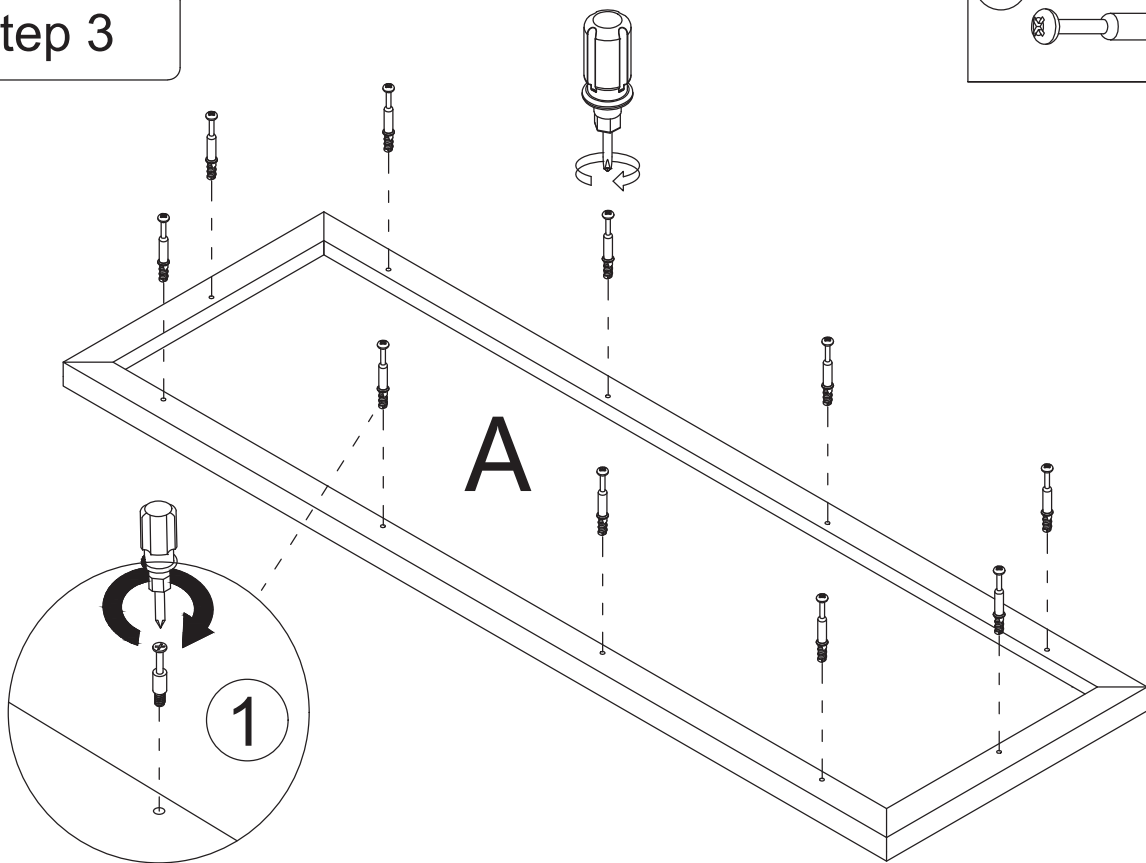
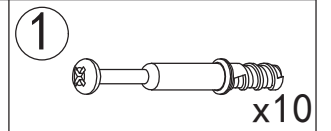


4

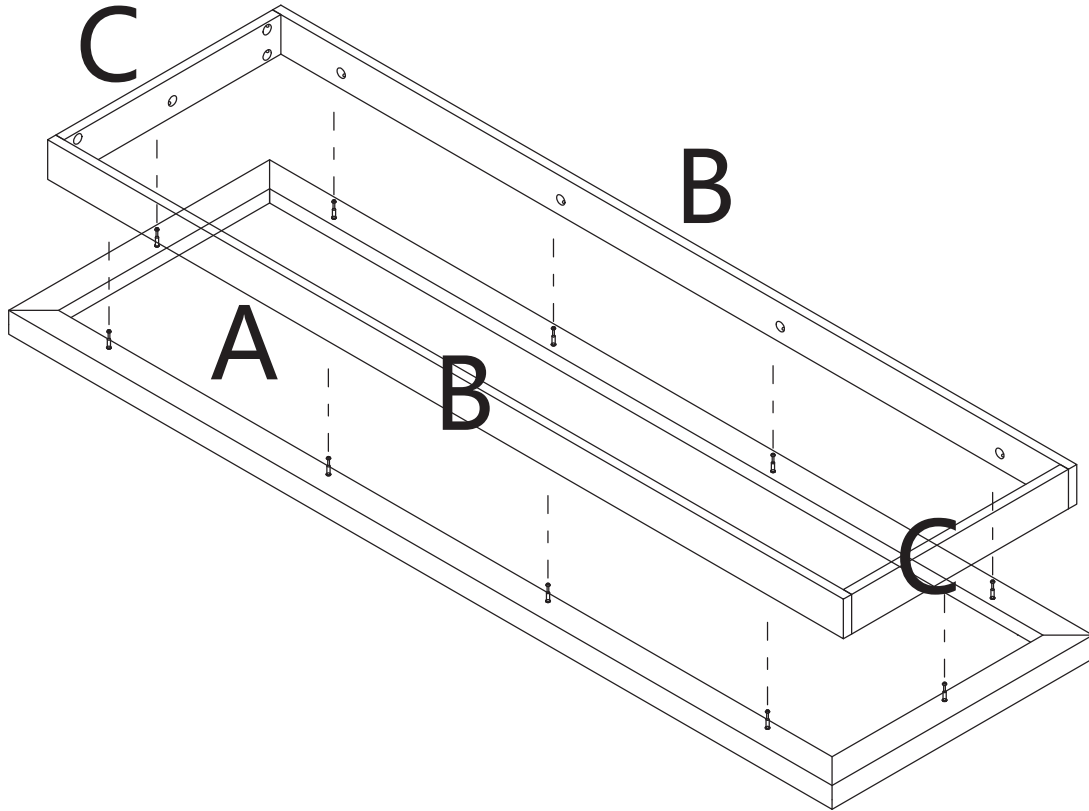
Step 2



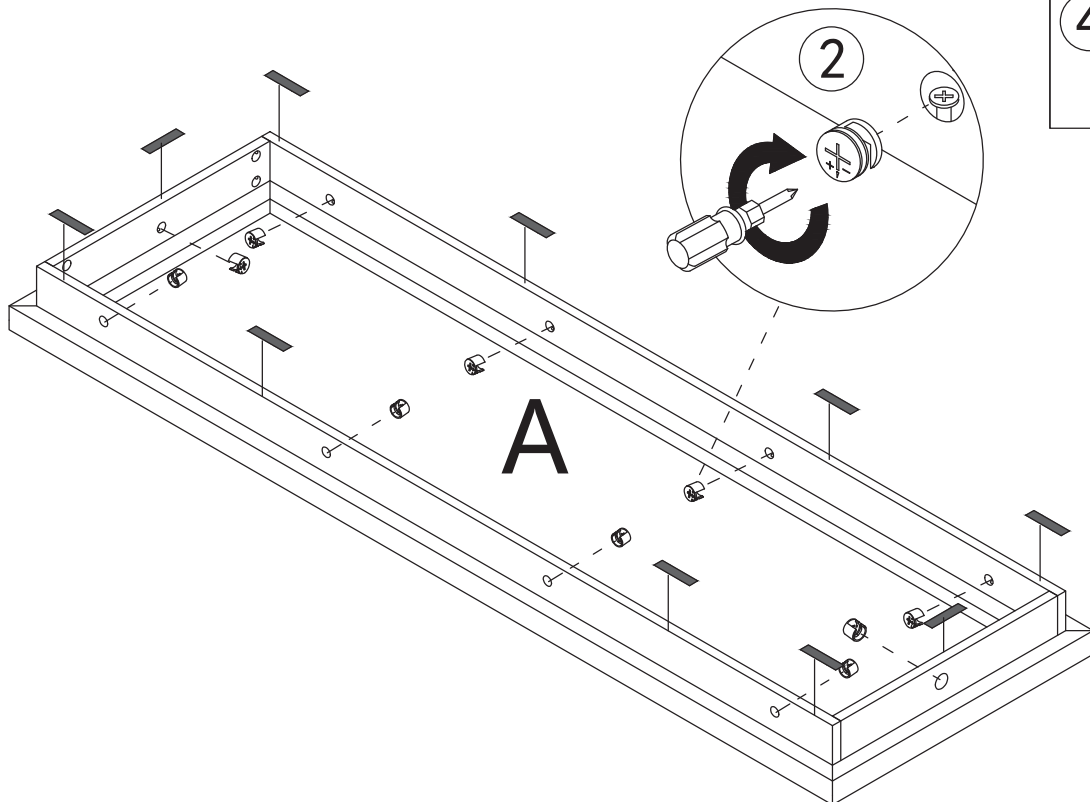
Step 3





Step 4

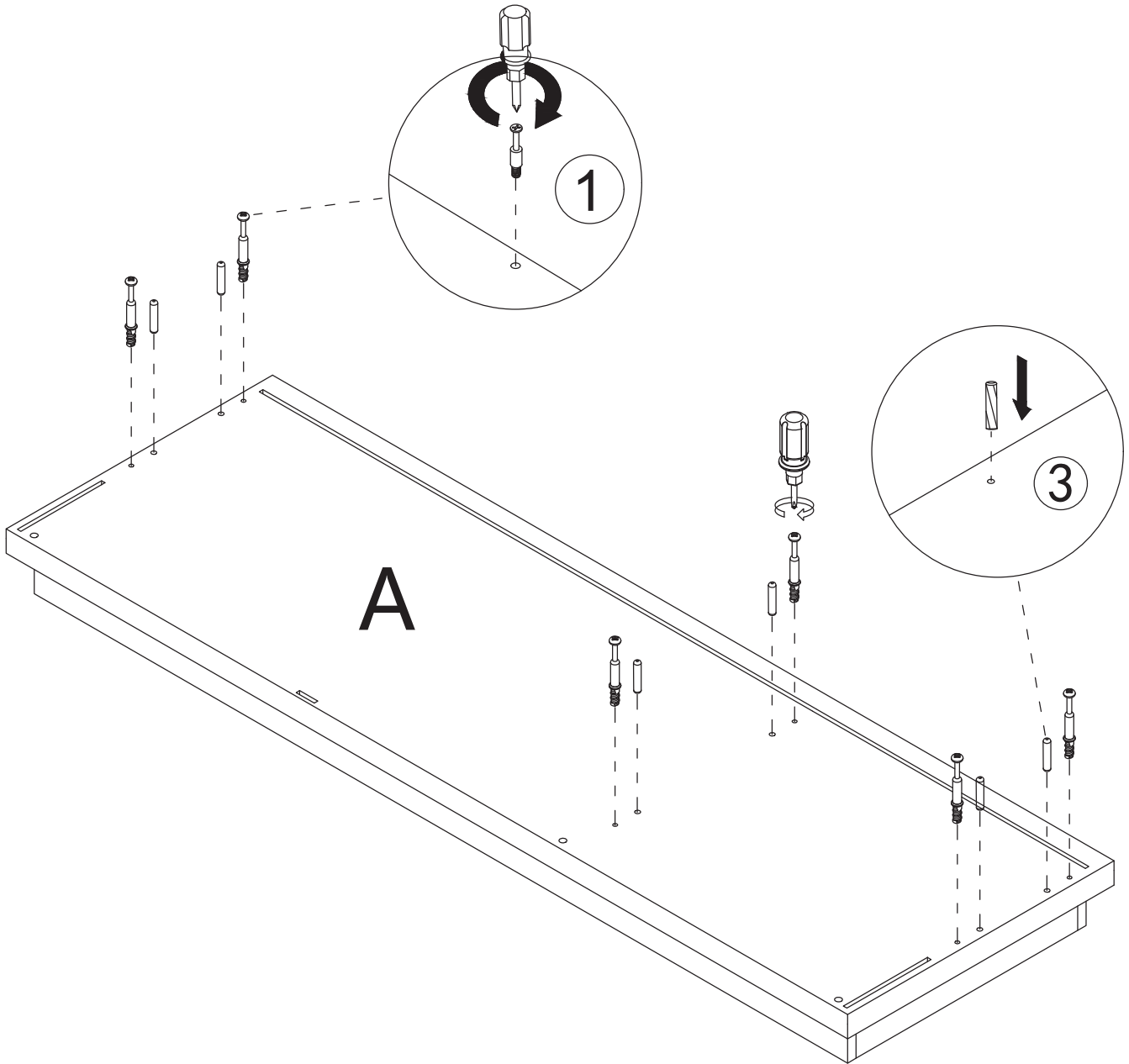
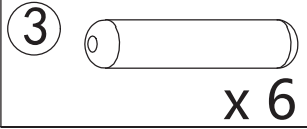
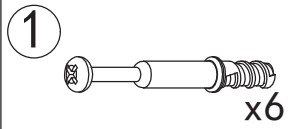


Step 5




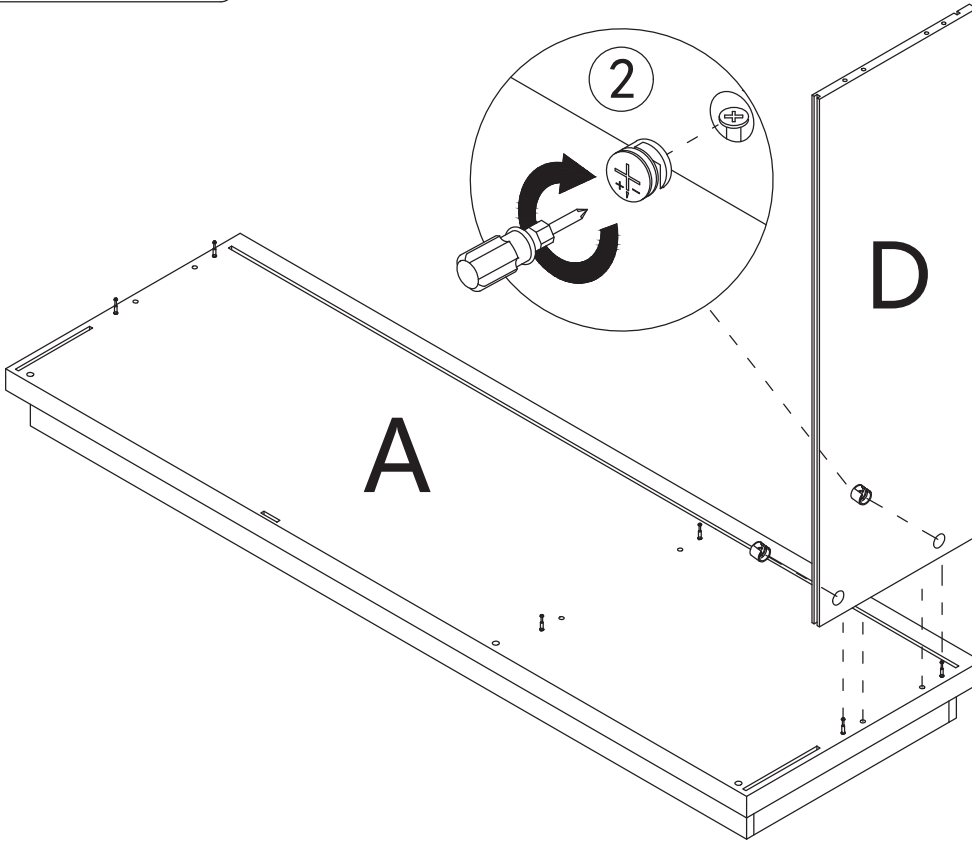
- ②  x 10
- ④  x 10

Step 6



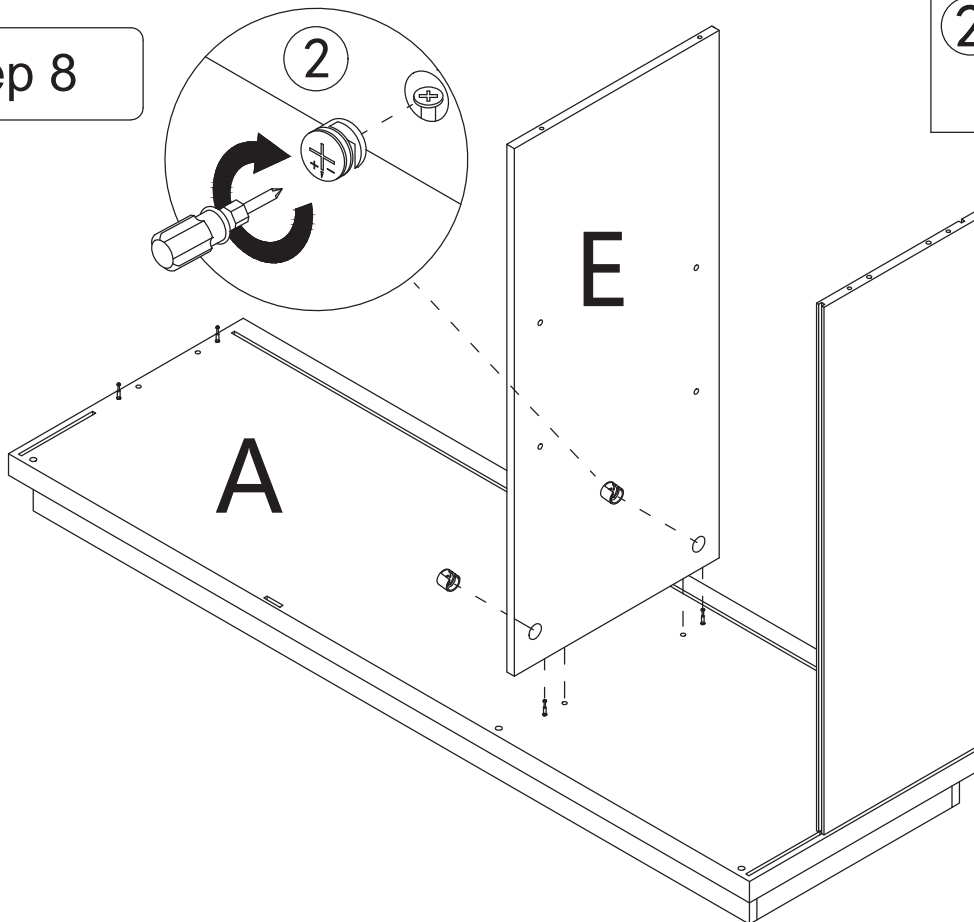
Step 7

2  x 2

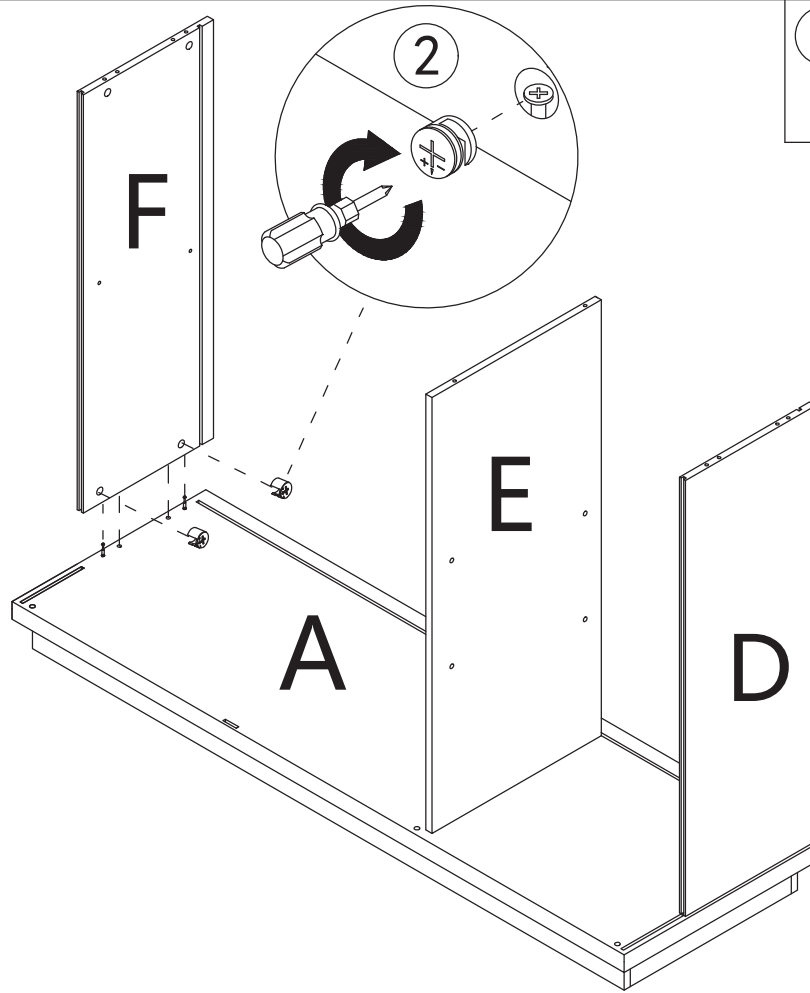


Step 8

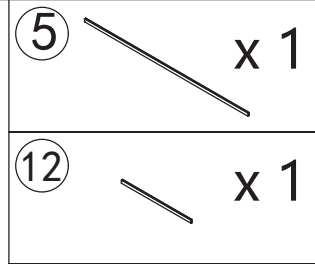
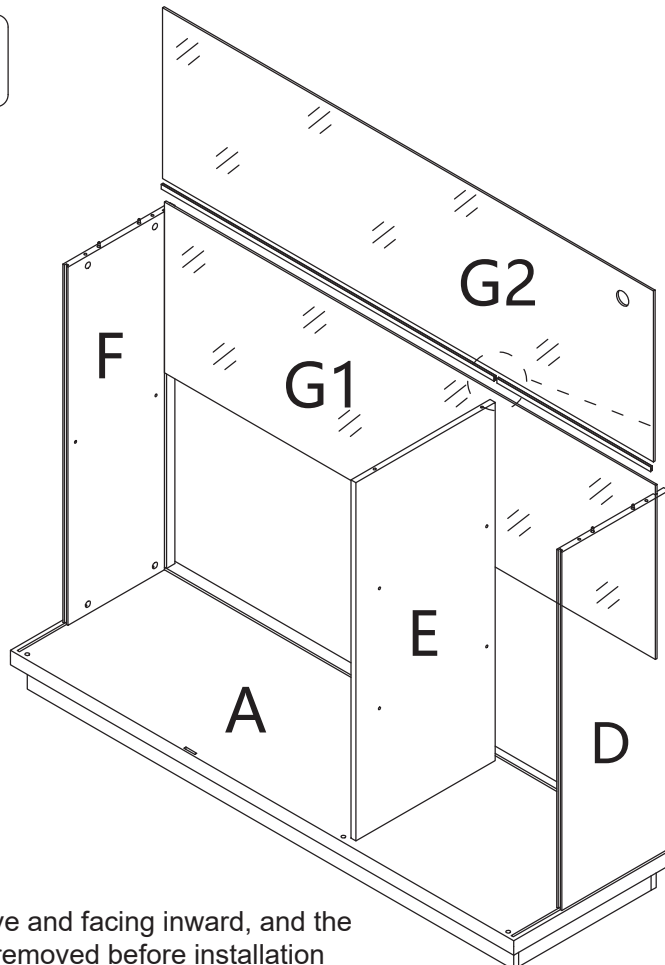
2  x 2



Step 9

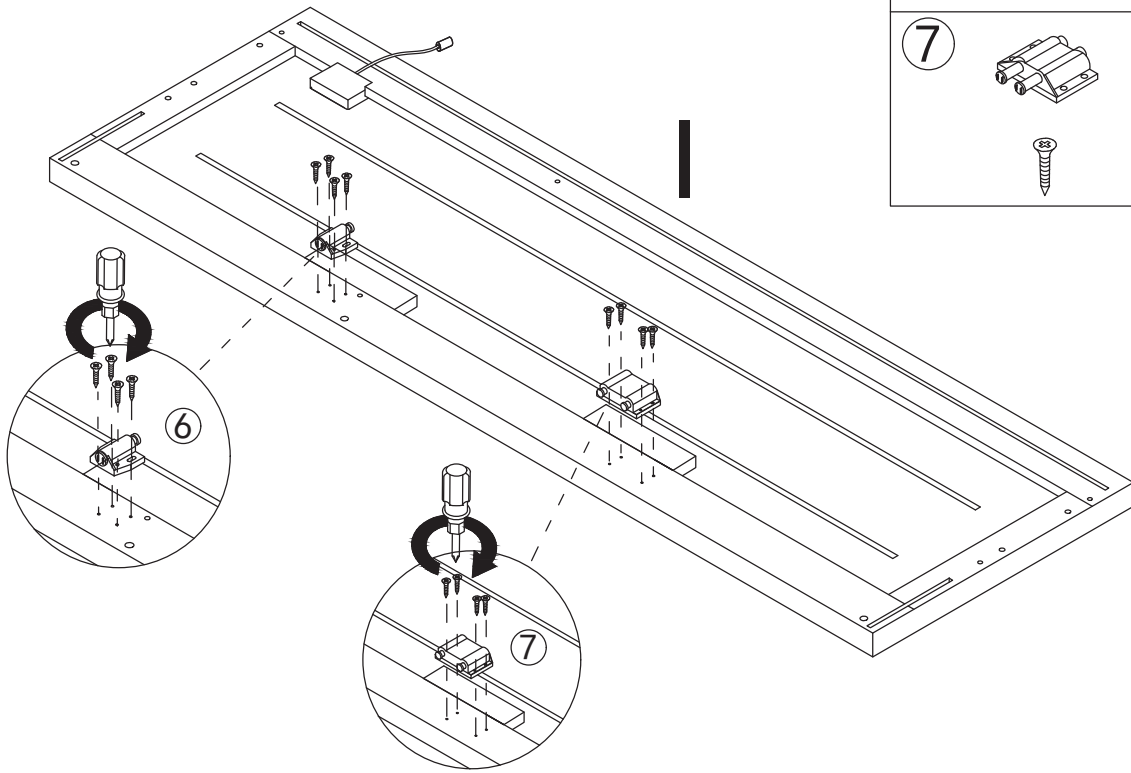


Step 10



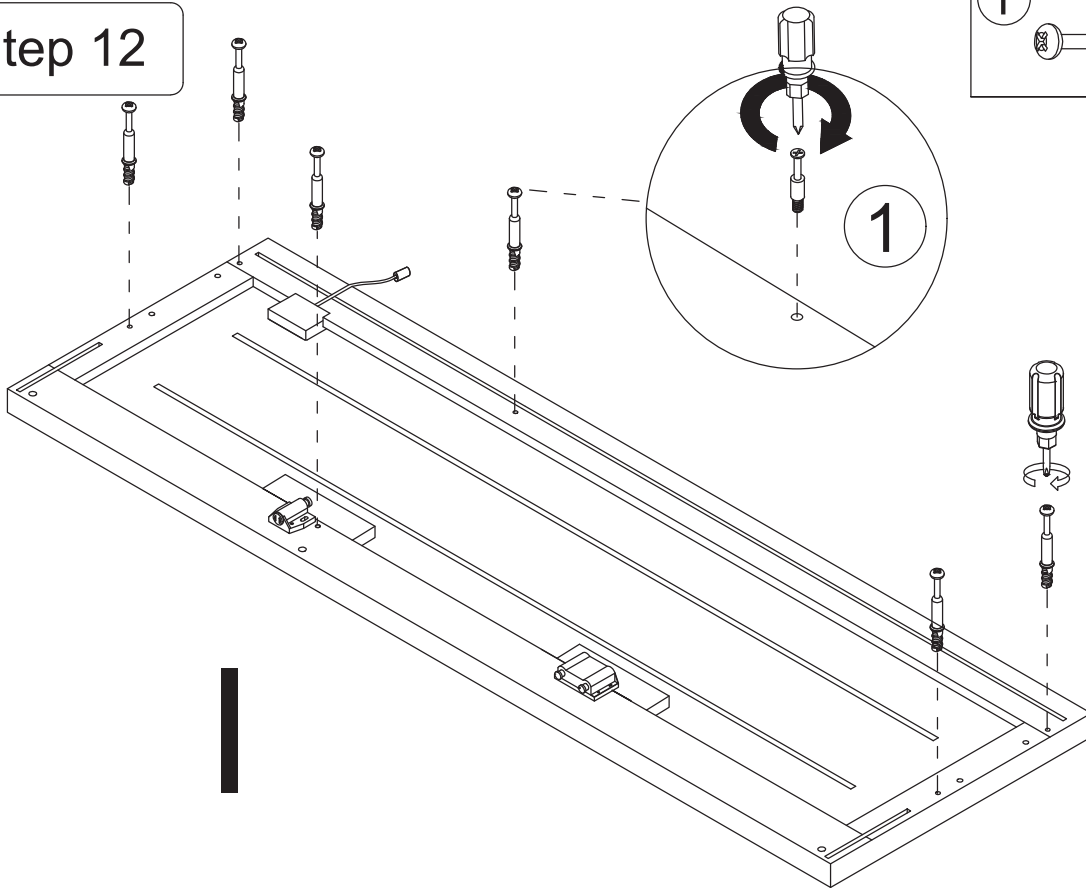
The back glass is reflective and facing inward, and the protective film should be removed before installation

Step 11



- | | | |
|---|--|----|
| 6 | | x1 |
| | | x4 |
| 7 | | x1 |
| | | x4 |

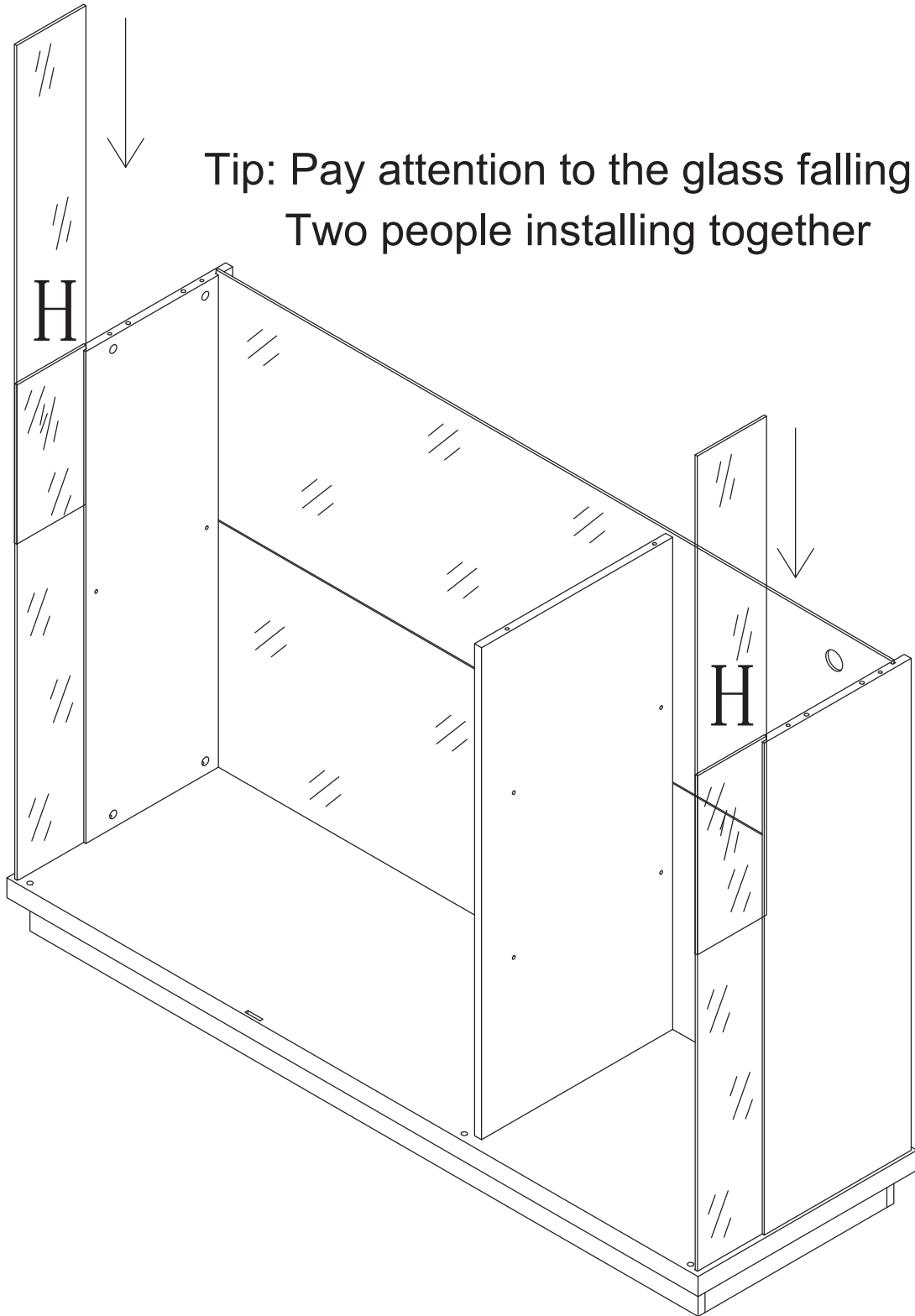
Step 12




- | | | |
|---|--|----|
| 1 | | x6 |
|---|--|----|

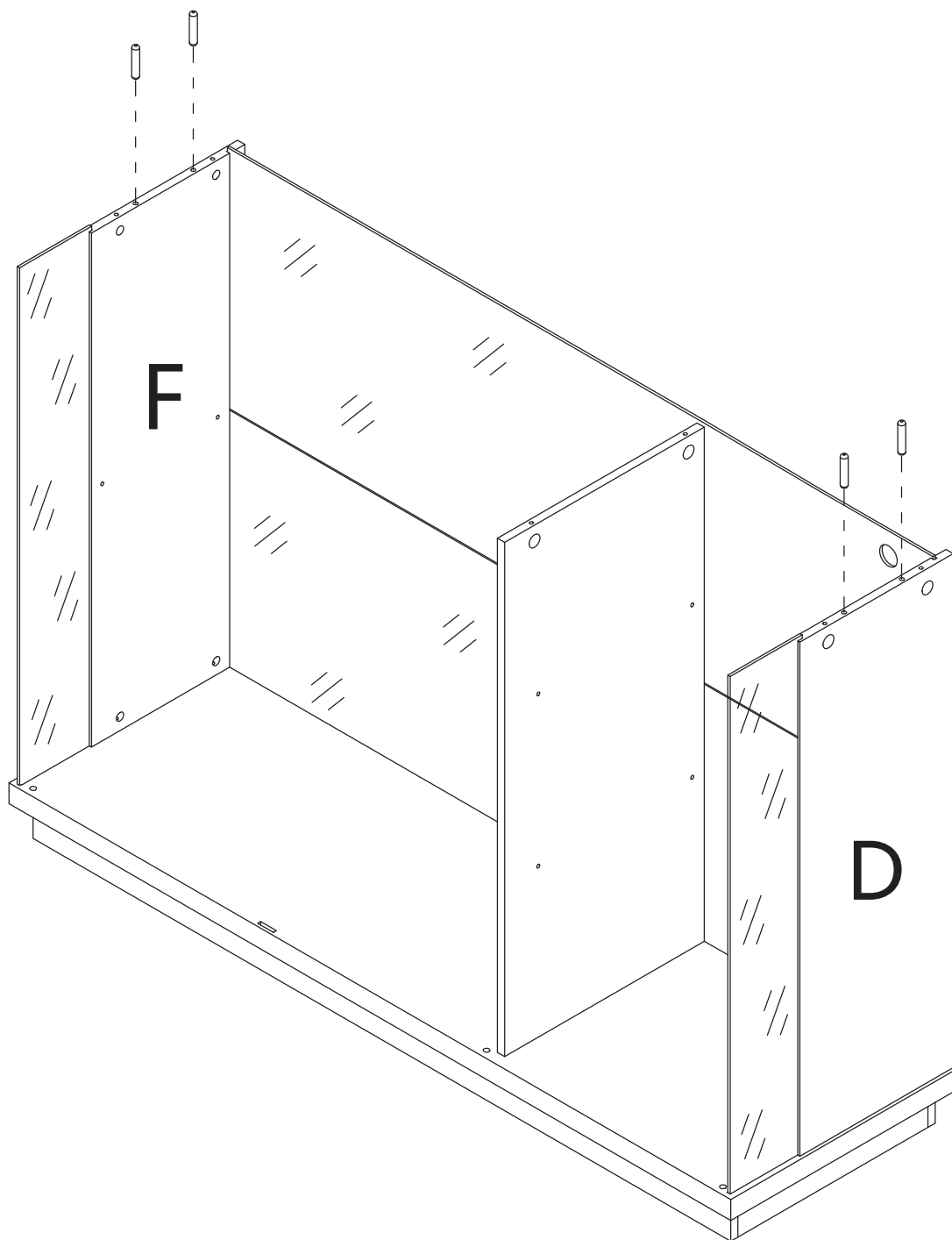
Step 13

Tip: Pay attention to the glass falling down
Two people installing together



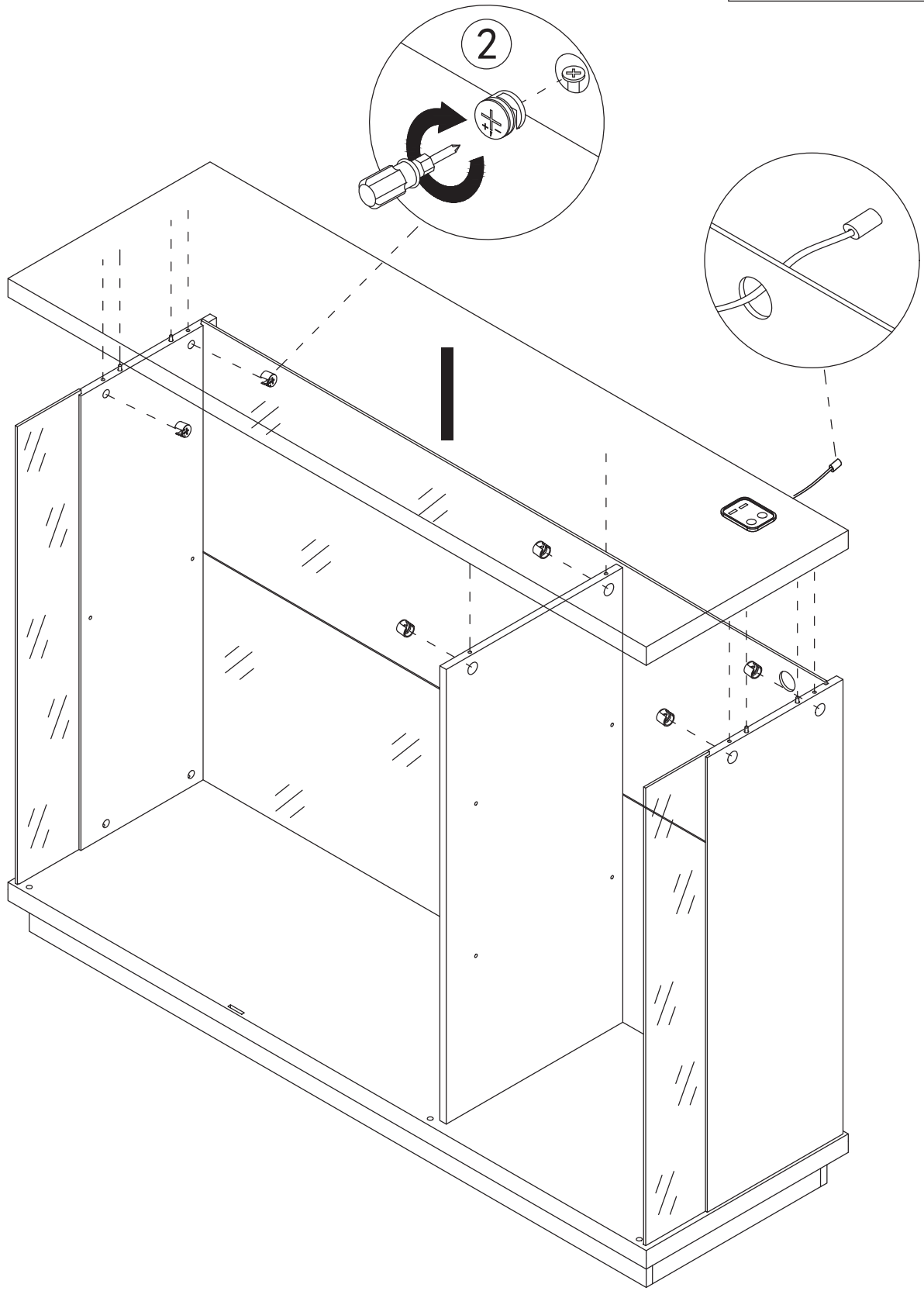
Step 14

3  x 4



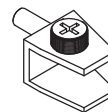
Step 15

②  x 6

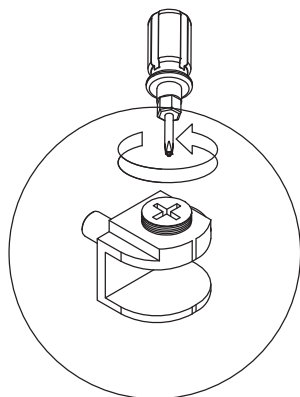


Step 16

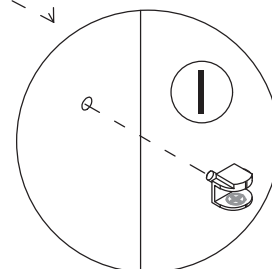
8



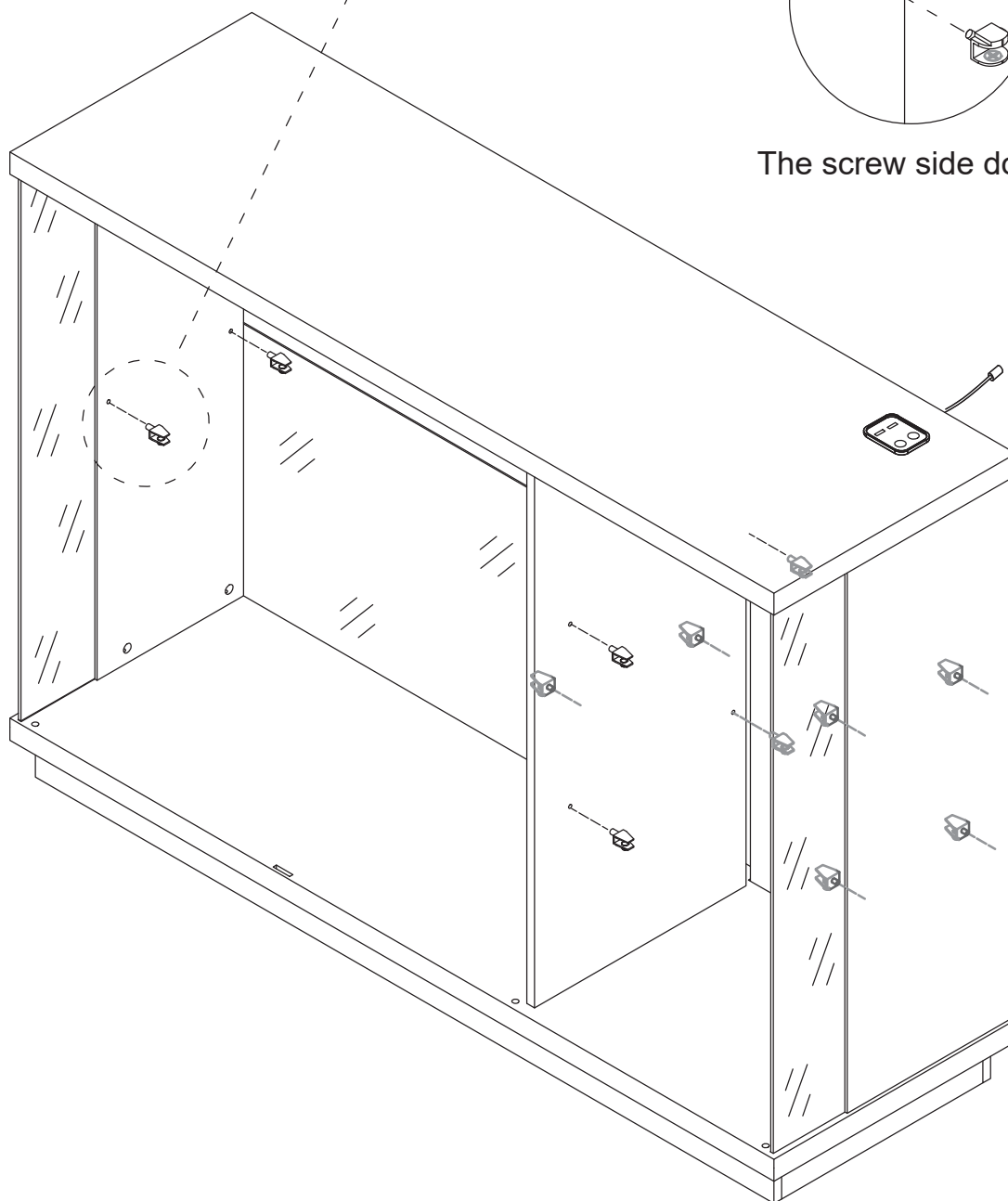
x12



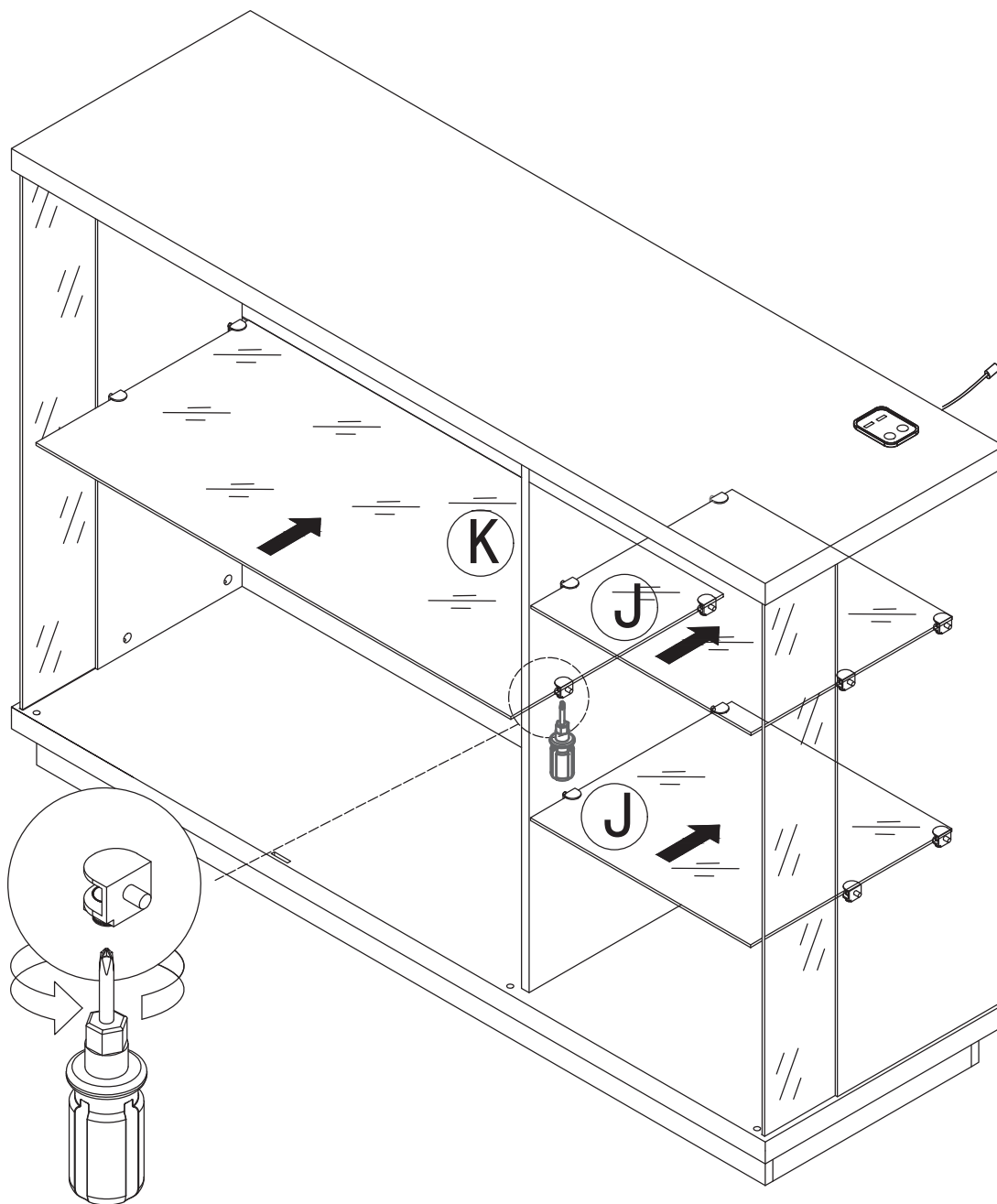
Loosen the screws a little before installation



The screw side down



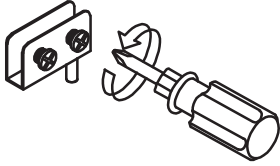
Step 17



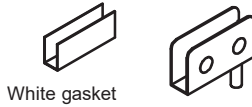
Tip: Adjusting the screw to rotate to the left can fix the glass
Rotate to the left and twist it out, and rotate it to the right to twist it in

Step 18

First, completely unscrew the screws on the parts



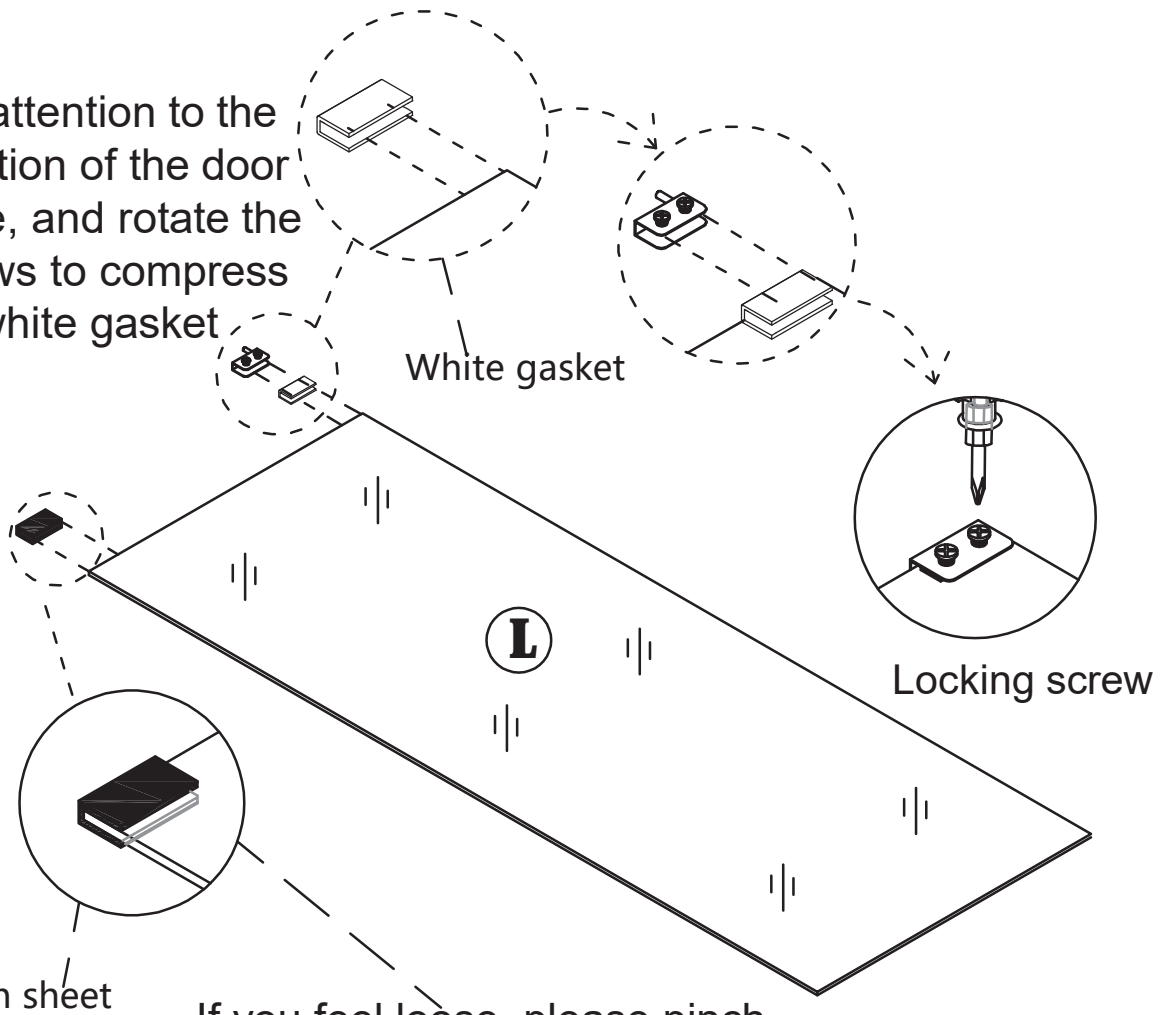
Place the white gasket first, then install the hinge, and finally tighten the screws.



E



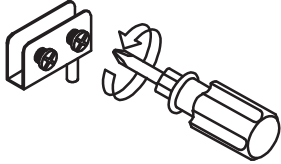
Pay attention to the direction of the door hinge, and rotate the screws to compress the white gasket



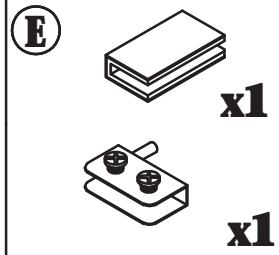
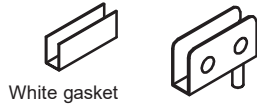
If you feel loose, please pinch the accessory before installation

Step 19

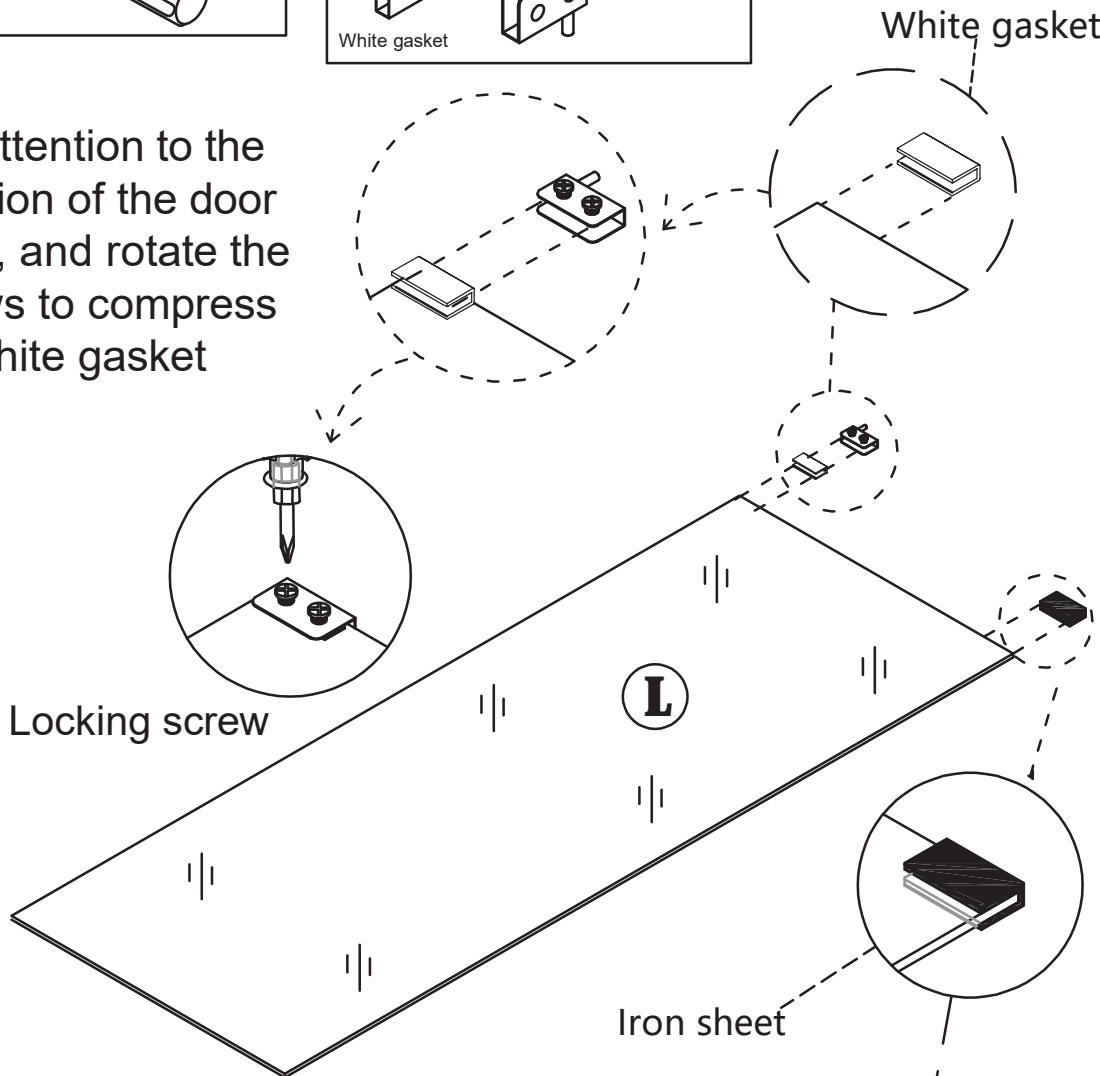
First, completely unscrew the screws on the parts



Place the white gasket first, then install the hinge, and finally tighten the screws.



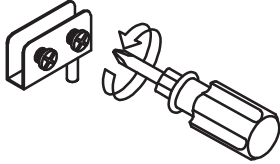
Pay attention to the direction of the door hinge, and rotate the screws to compress the white gasket



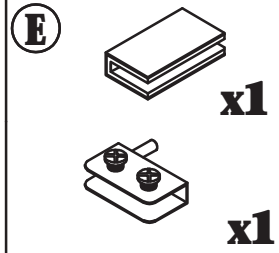
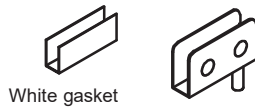
If you feel loose, please pinch the accessory before installation

Step 20

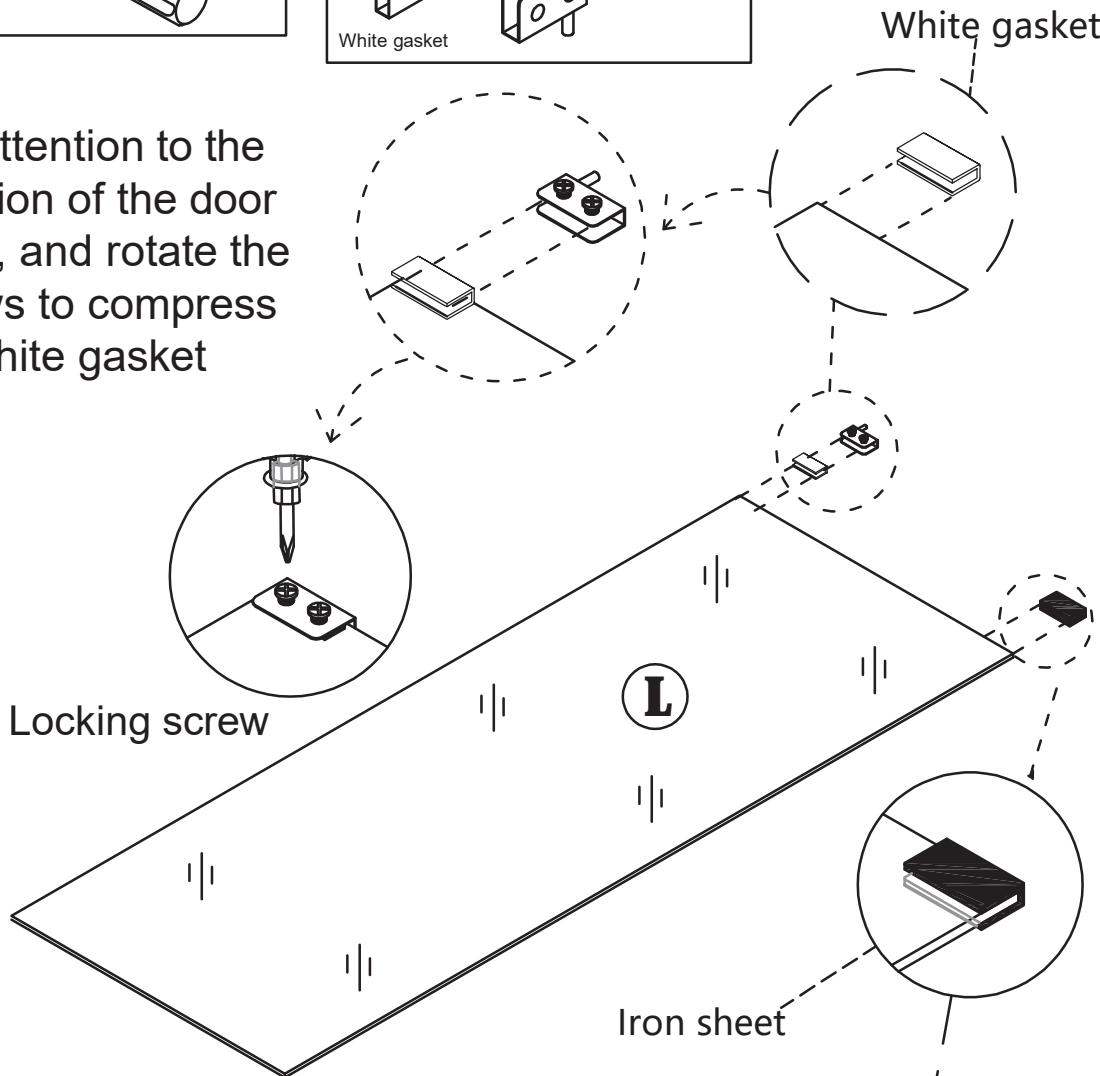
First, completely unscrew the screws on the parts



Place the white gasket first, then install the hinge, and finally tighten the screws.

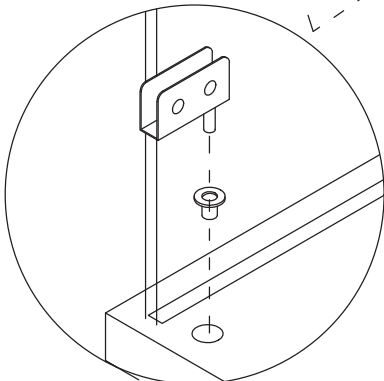
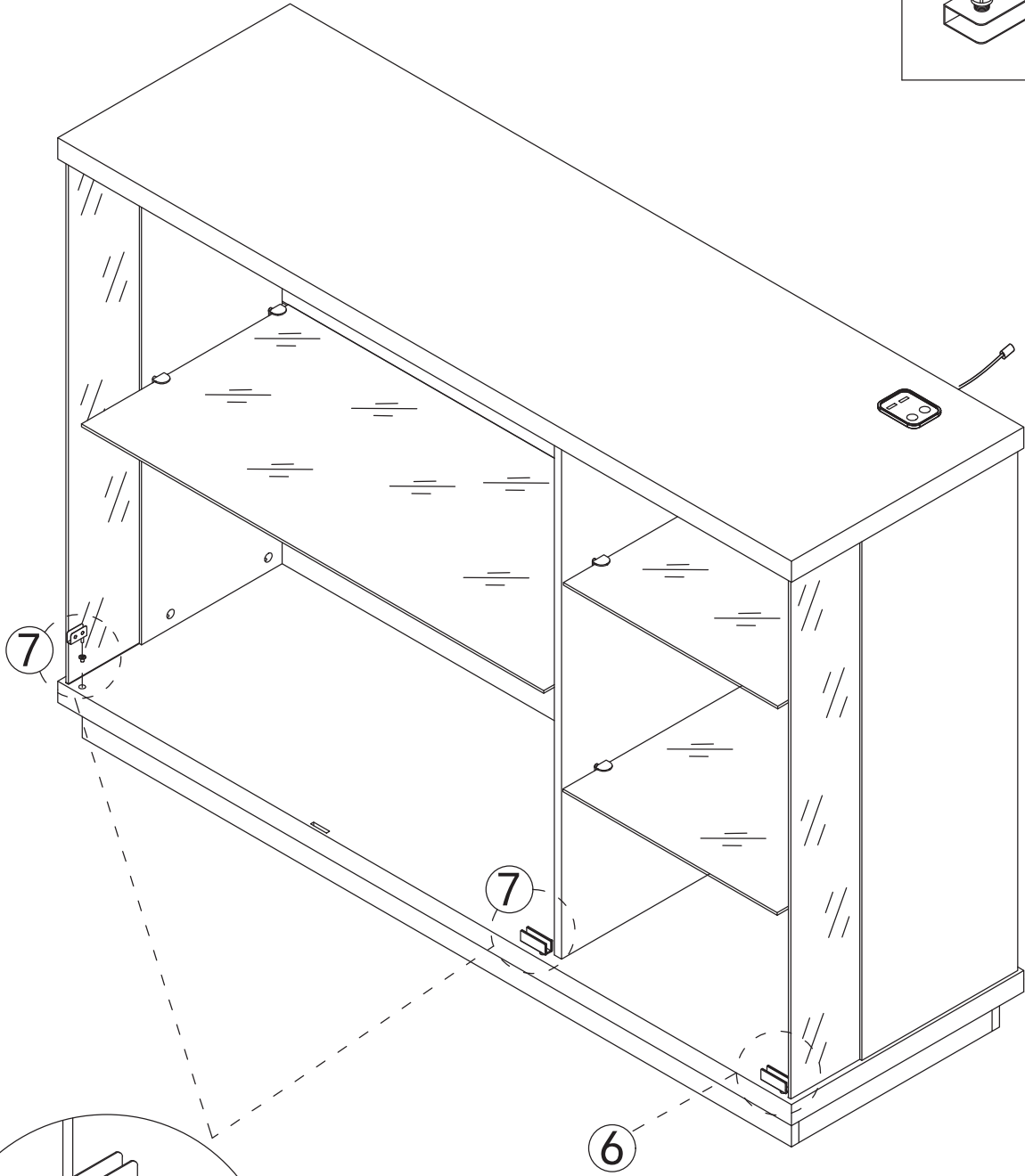
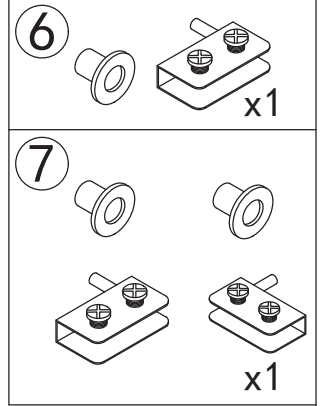


Pay attention to the direction of the door hinge, and rotate the screws to compress the white gasket



If you feel loose, please pinch the accessory before installation

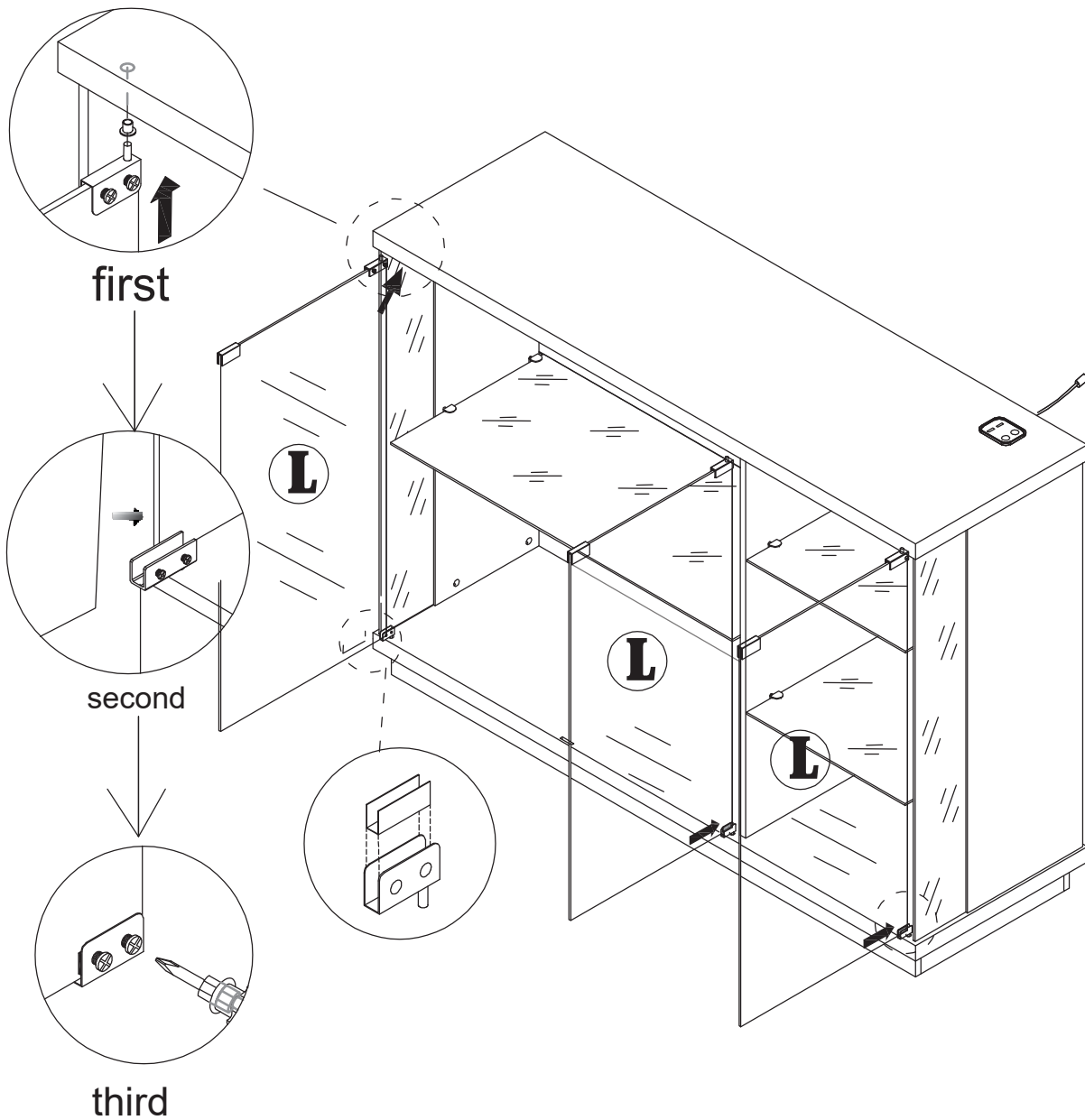
Step 21



Step 22

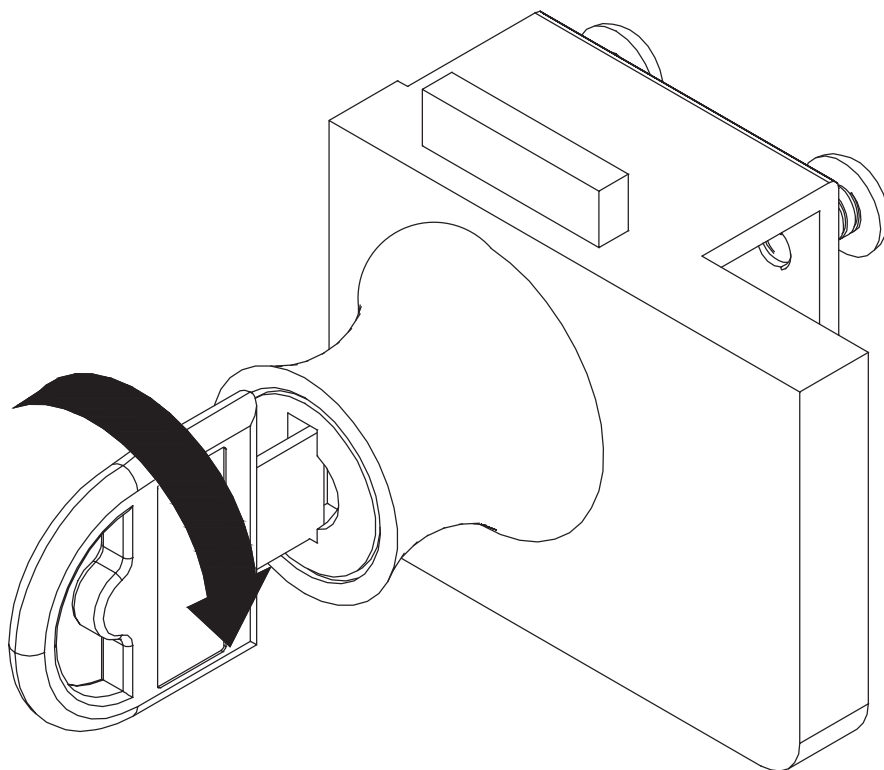
Pay attention to the direction of the door hinge during installation

When installing a glass door, it is recommended to have two people install it to avoid the glass door colliding or hitting oneself.

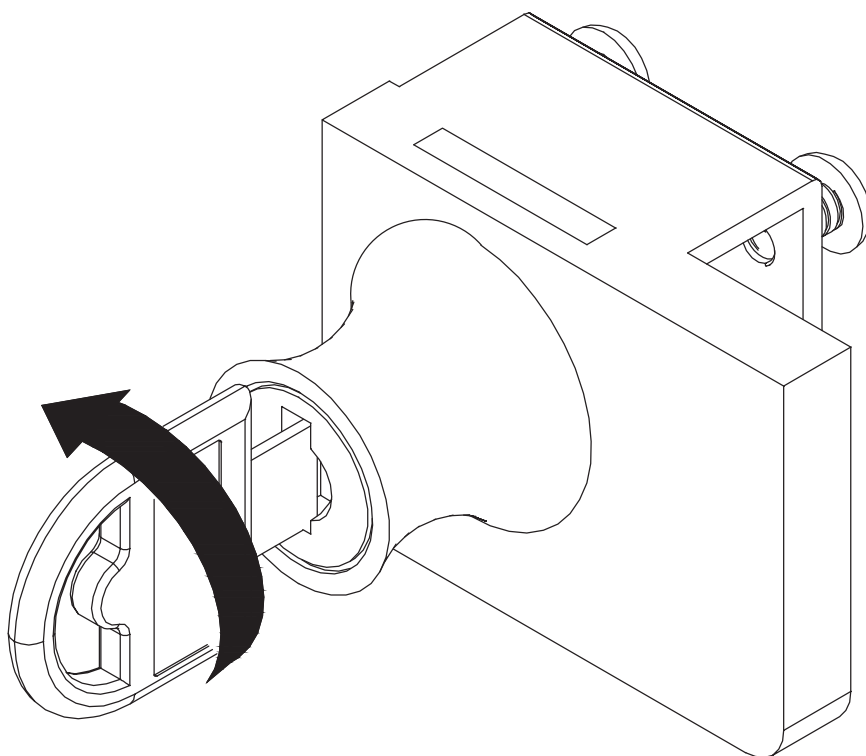


After aligning the glass door, tighten the screws to secure it.

Turn clockwise to lock the door.



Turn counterclockwise to unlock the door.



Step 23

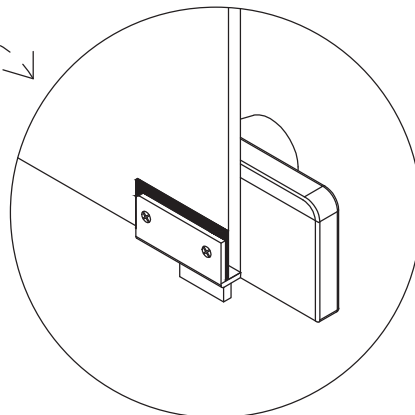
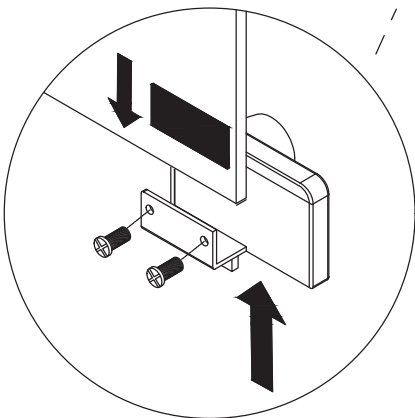
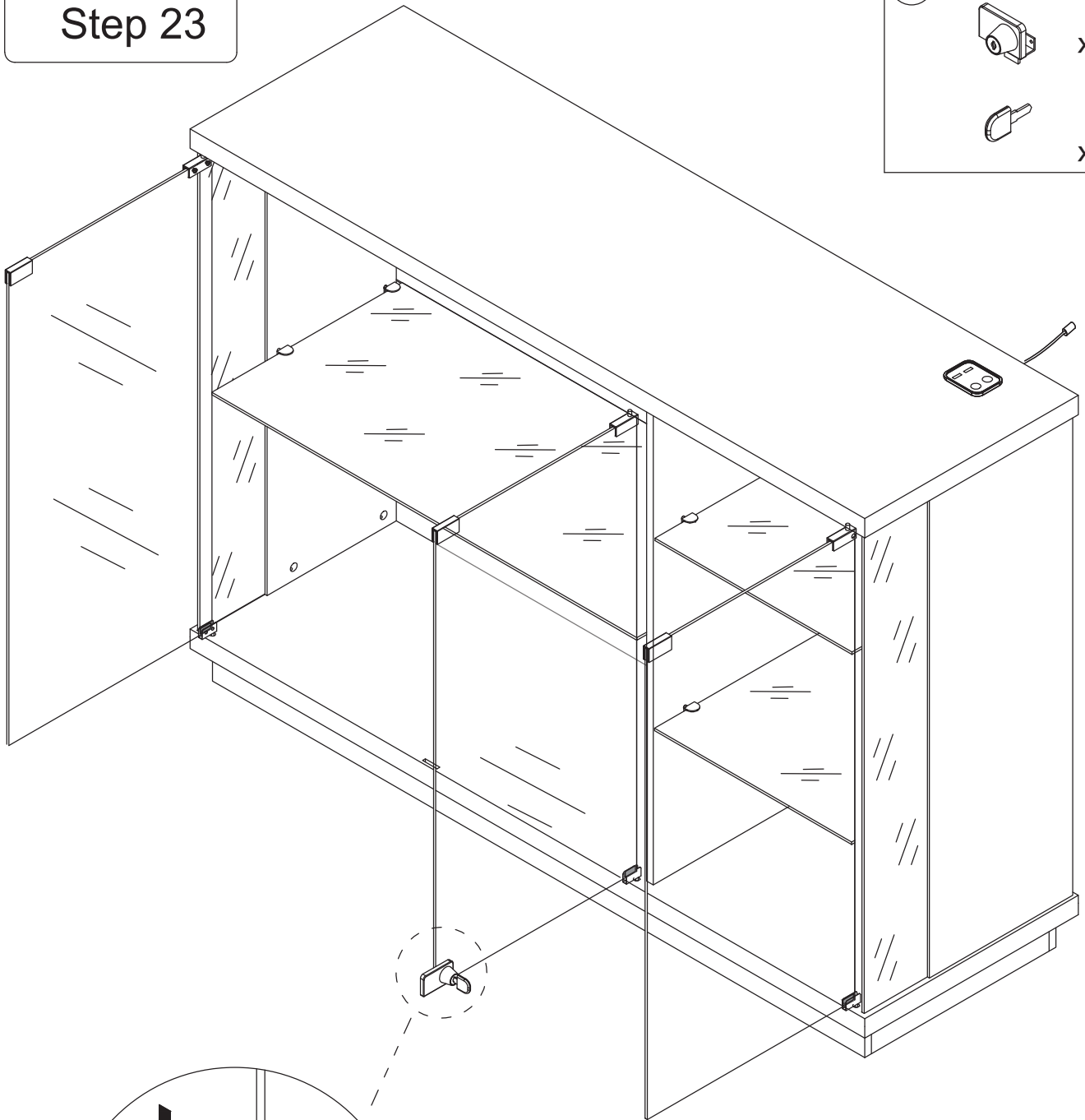
9



x1



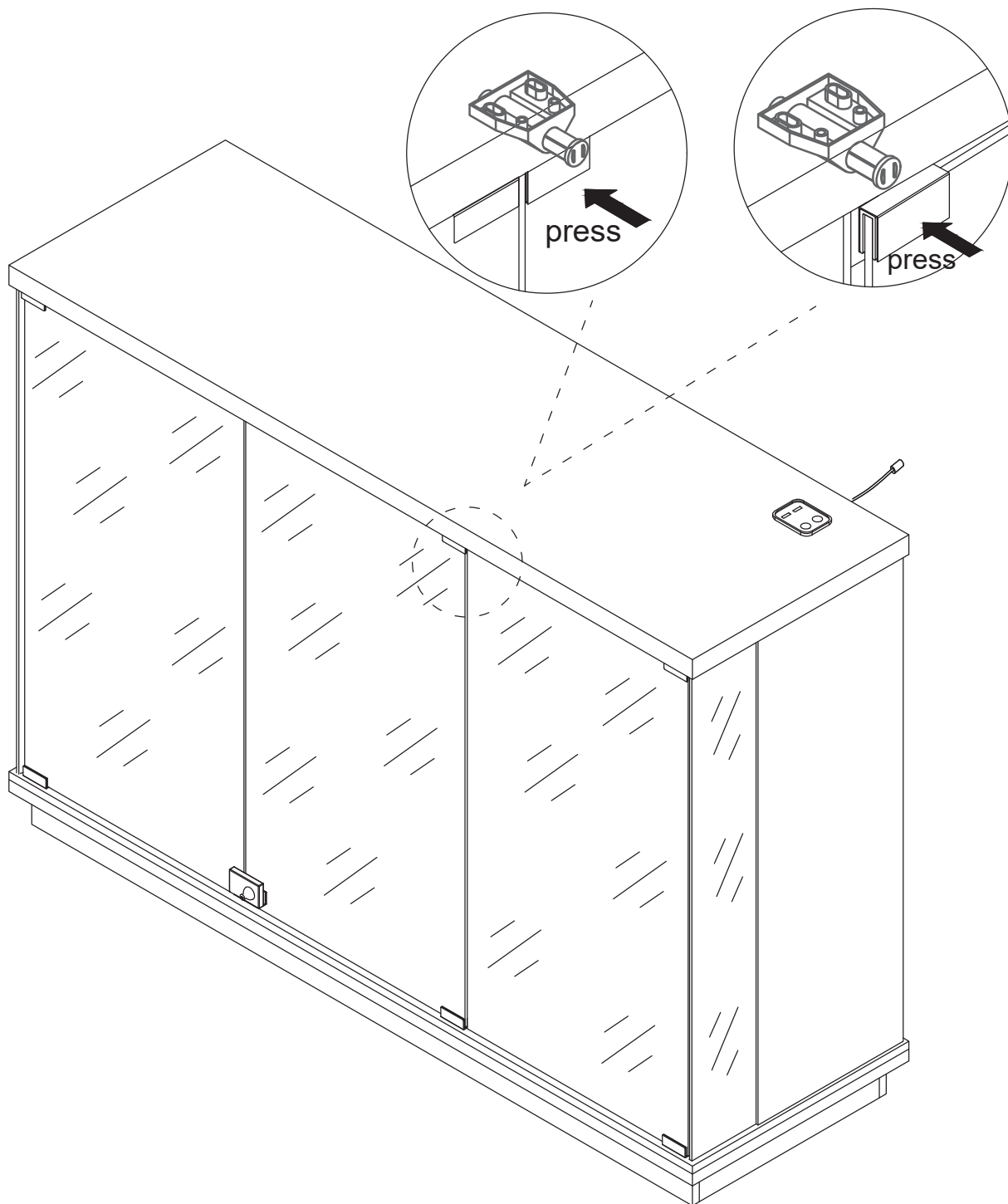
x2



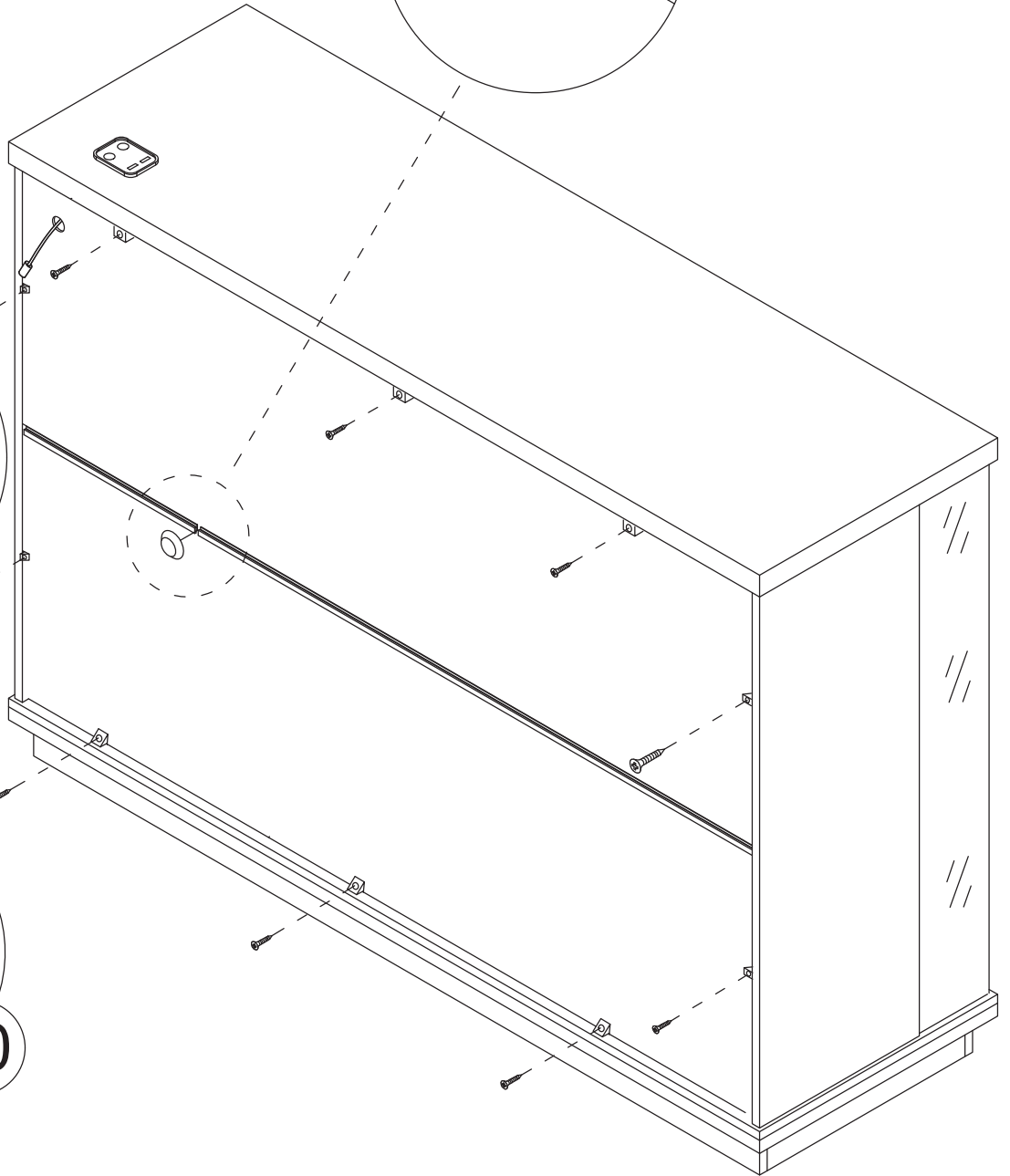
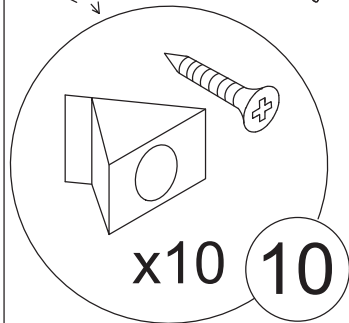
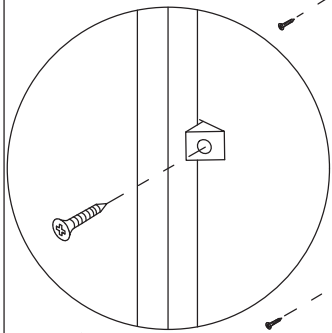
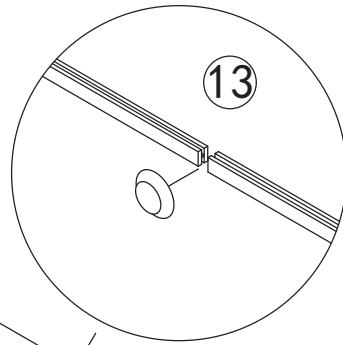
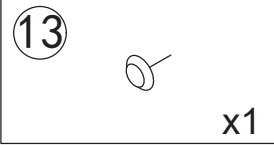
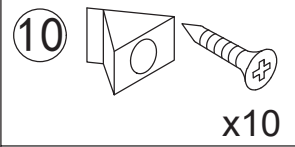
The black adhesive tape and the lock position should be aligned

Step 24

Open the glass door Close the glass door

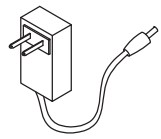


Step 25

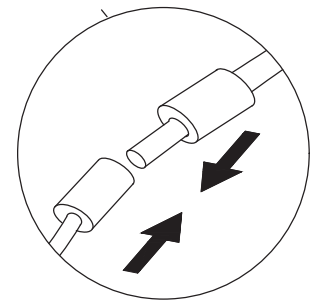
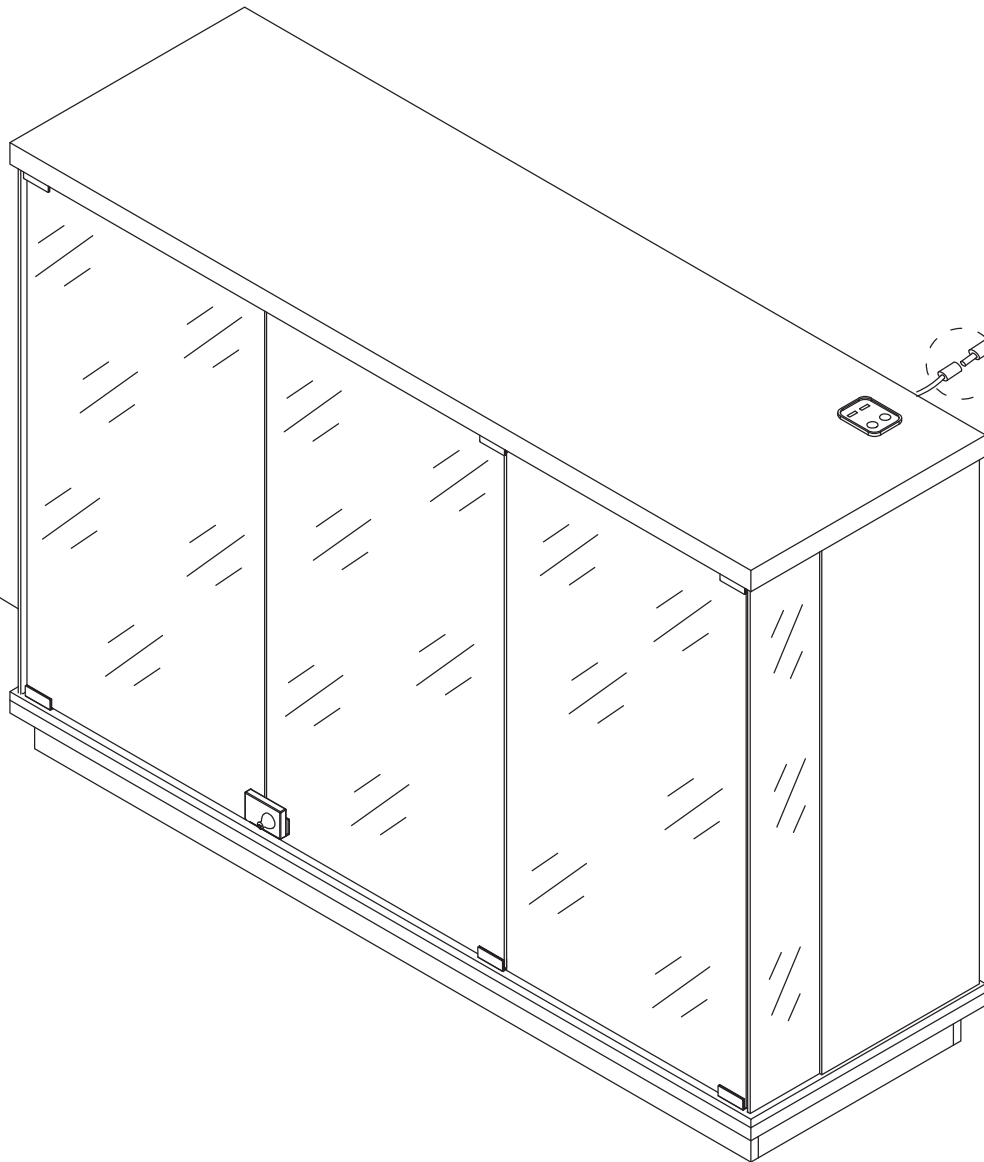


Step 26

11



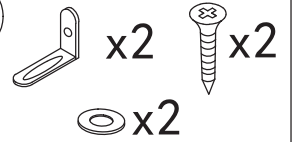
x1



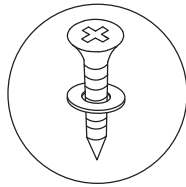
Step 27

Install as required

14

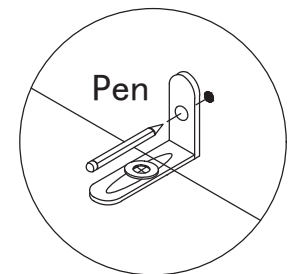
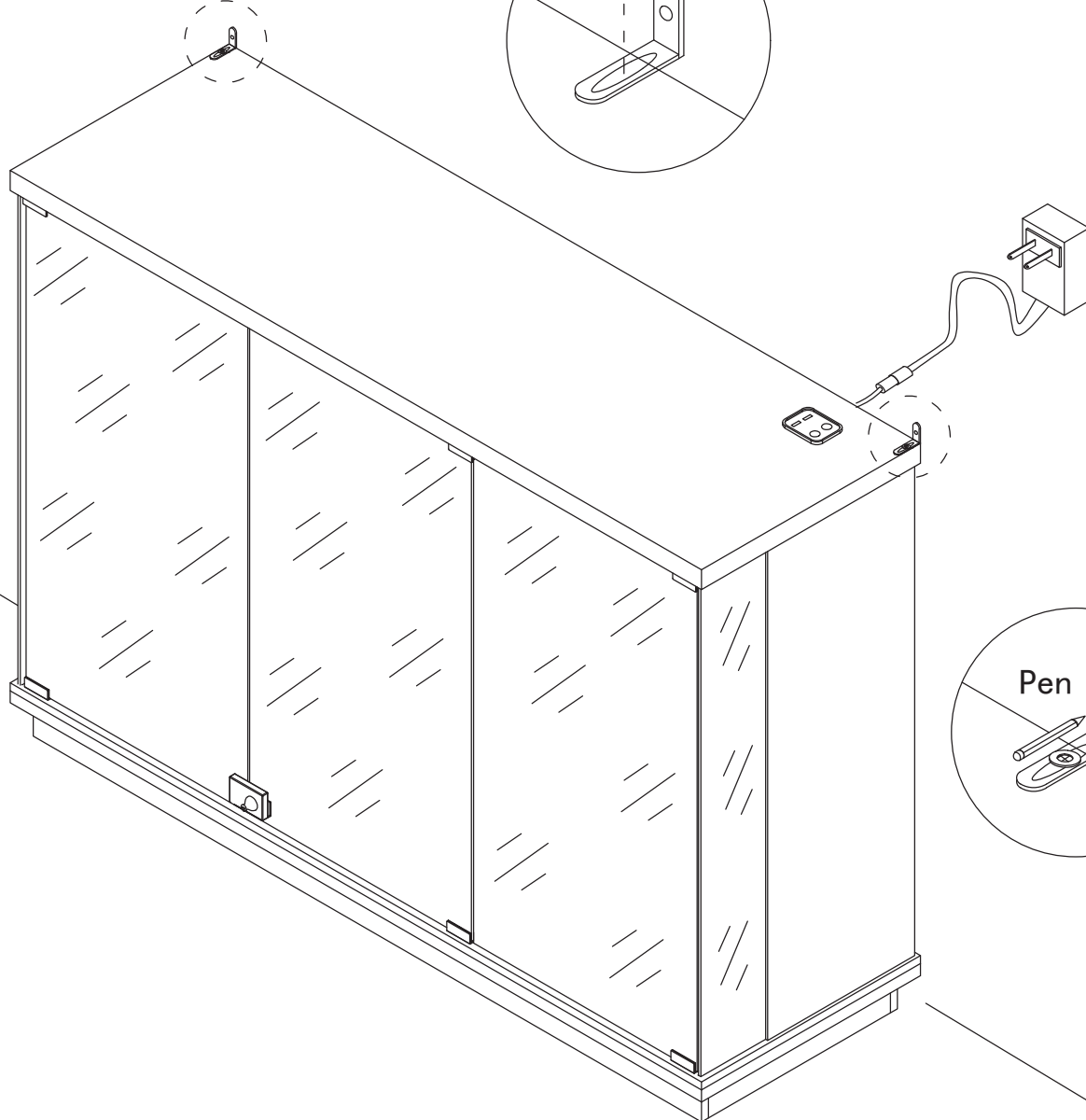
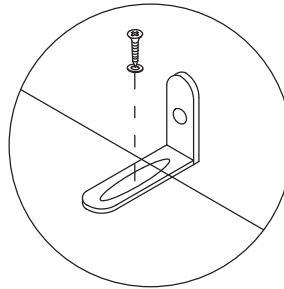


3.5x14mm


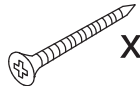



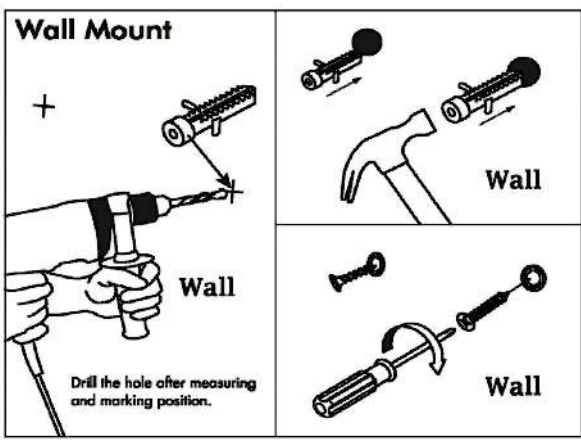
Install the anti fall hardware on the cabinet as shown in the picture first

Then mark the wall with a pen through the holes in the anti-fall hardware

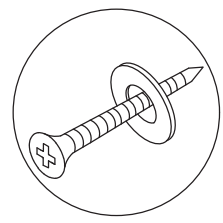
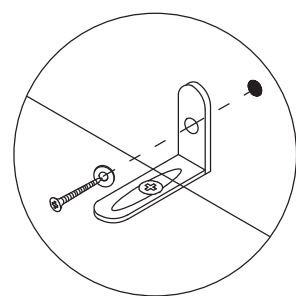


Step 28

- 14  x2
-  x2  x2

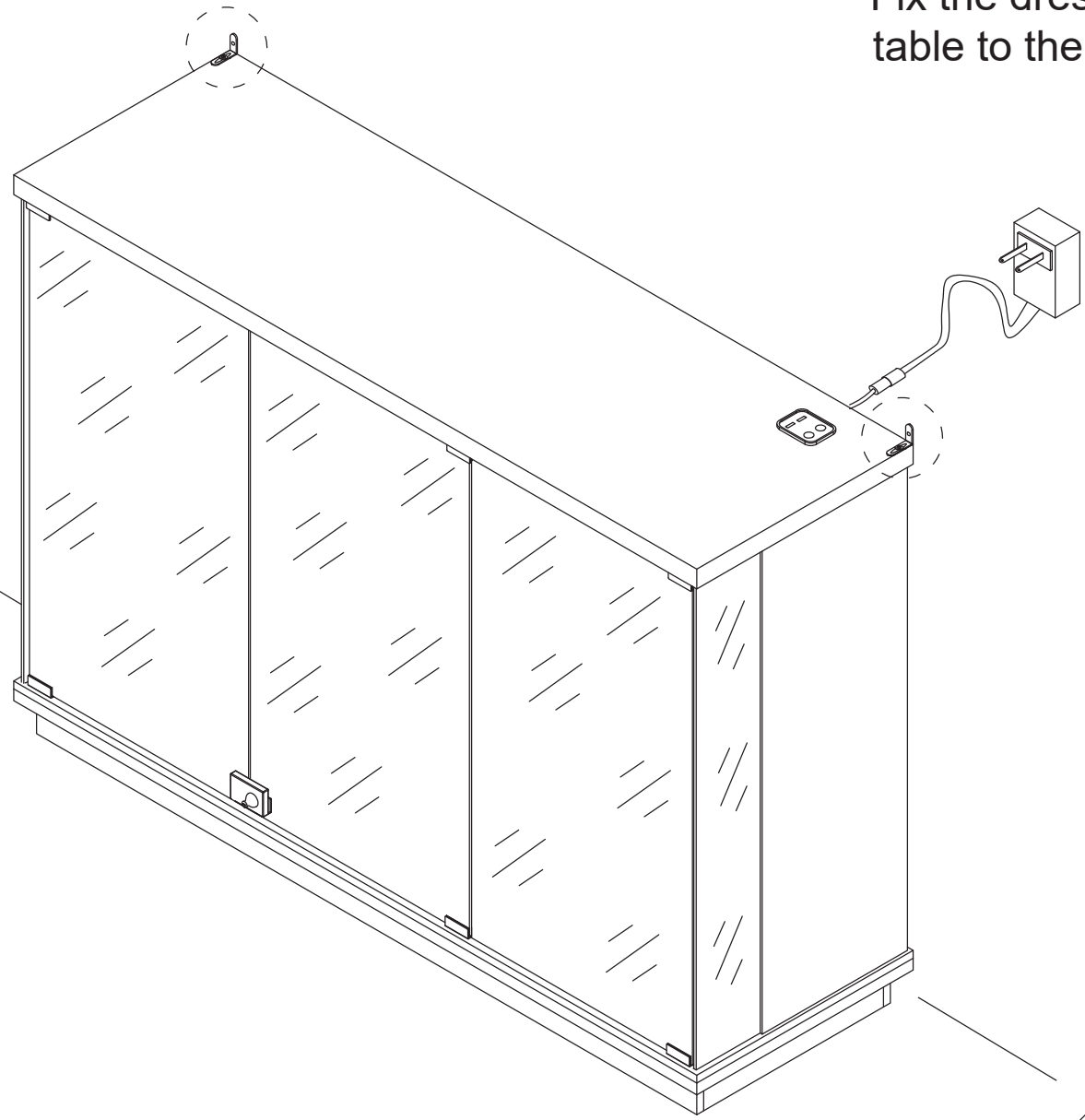


Drill the hole with an electric drill and punch in the colloidal particles



4x45mm

Fix the dressing table to the wall



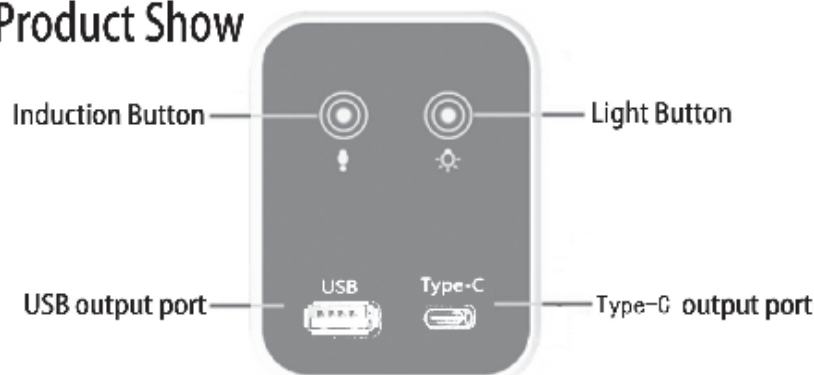
User's Guide

Thank you for purchasing this product. To use this product, please plug it into a 12V DC power supply. Please use if the product works normally after connecting to power.

Introduction

The box is an intelligent controller. It has 1 USB port and 1 type-C port and can distribute the current output up to 5V DC-2A. With 2 touch buttons, it can turn ON/OFF the light, change light colors, and adjust the light luminance.

Product Show



ATTENTION PLEASE

1. If there is no touch response suddenly, Re-plug the power to reset the touch static electricity.
2. If bubbles appear on the panel, remove the protective film.

Operation



This touch button is used to turn on/off, change colors, and adjust brightness.

A. Short touch -> lighting on -> short touch -> change light color -> short touch -> change light color -> short touch -> lighting off. **B.** Long touch -> adjust the luminance



This touch button is used to turn on/off the induction function.

A. Short touch to turn on the induction function. It can auto-turn on the light when people are close to the controller in 1 meters. It can auto power off the light when the body is far away from the controller after 30 seconds.

B. Long touch to turn off the induction function.

C. Note: When you touch the light button to change the light modes, the induction function will automatically turn off. It is best to turn on this function after selecting the light color and adjusting the brightness you want.