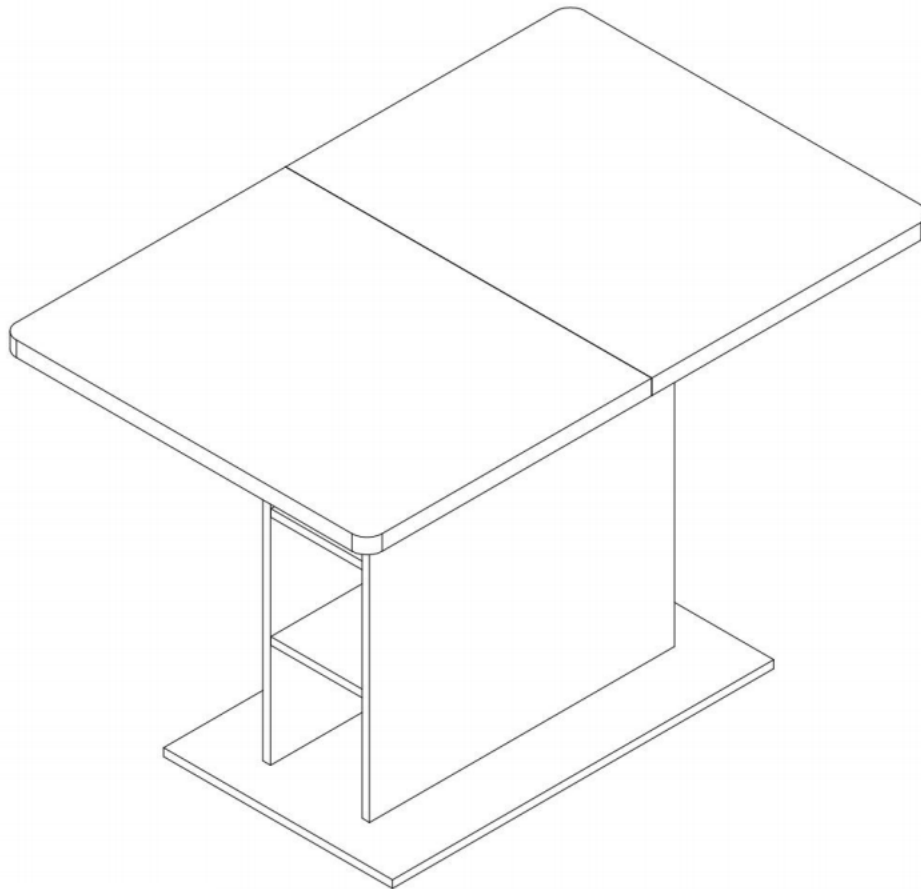


Table

Installation instructions – Please keep for later reference

N606P272567

N606P272568



Important: Please read this manual in its entirety before starting the assembly process



Safety and care instructions

Important – Please read this guide in its entirety before starting the installation process

- Check that all of them are on the components and tools listed on the following pages.

- Remove all accessories from the plastic bags and divide them into their groups.

- Keep children and animals away from Remote work area, small parts could suffocate if swallowed.

- Make sure you have enough space to arrange the pieces before you start

- Do not stand on the product or strain it during assembly, this could lead to damage.

- Mount the item as close as possible at its final position (in the same room).

- Mount the device on a soft, flat surface to avoid damaging the device or your floor.

- Parts of the assembly are easier with 2 people.



- In order to Probability of Damage to your product, please make sure that your drill is set to a low Torque setting is set.

Care and maintenance

- Clean only with a damp cloth and a mild detergent, no bleach or abrasive cleaners.

- Check from time to time that there are no loose screws on this device condition.

- This product must not be disposed of in household waste. Take it to your local Waste disposal point.

Practical tips

- When assembling, loosely assemble all parts and screws. Only when the product is finished should you fully tighten the screws

- Check regularly and make sure all screws and connectors are properly tightened.

WARNING

To prevent it from tipping over, please follow these instructions

To prevent the product from tipping over, please follow the steps below:

Use the included anti-tilt adhesive or wall mounting method (if applicable).

Do not allow children to climb on or hang from the furniture

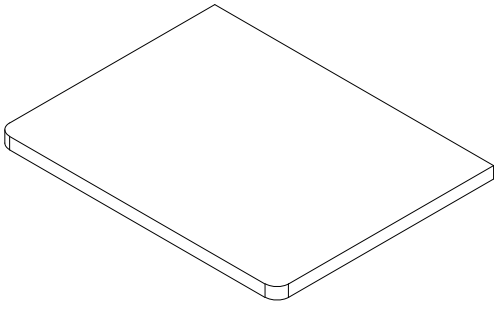
Do not open more than one drawer at a time

Do not place heavy items in the top drawers

Do not place heavy objects on top of the furniture unless the furniture is designed for this purpose

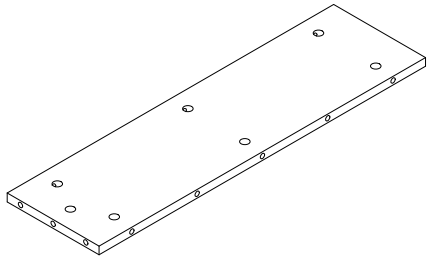
BOX1:N606P272567

①



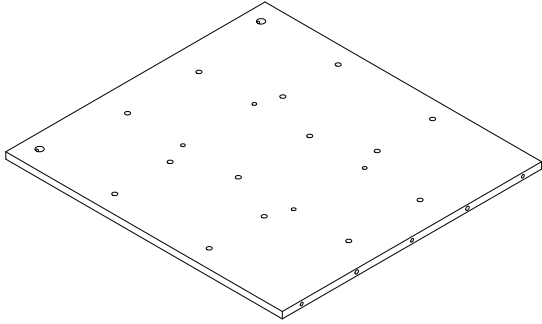
2

⑥



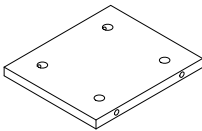
2

⑦

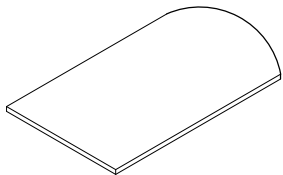


2

⑧



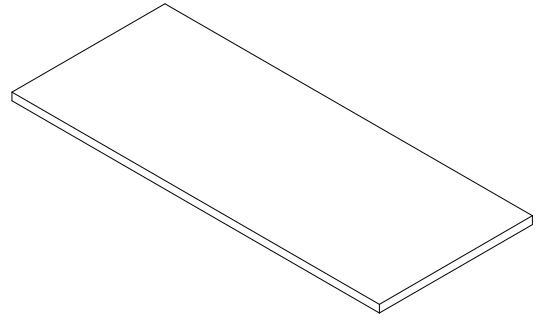
4



Hardware kit

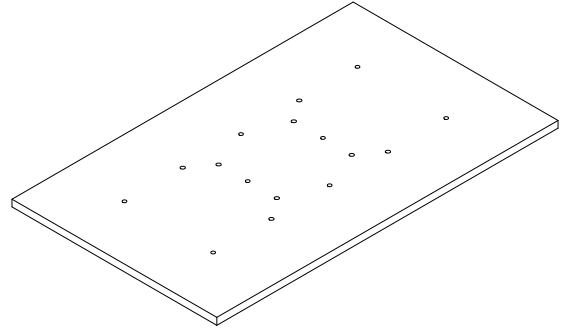
BOX2:N606P272568

②



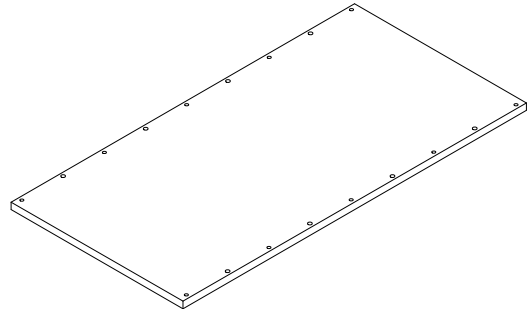
1

③



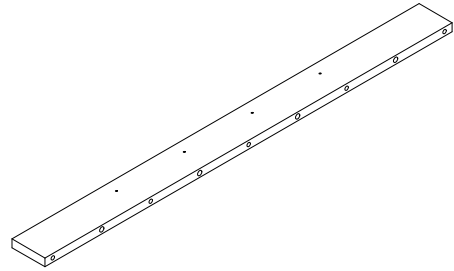
1

④

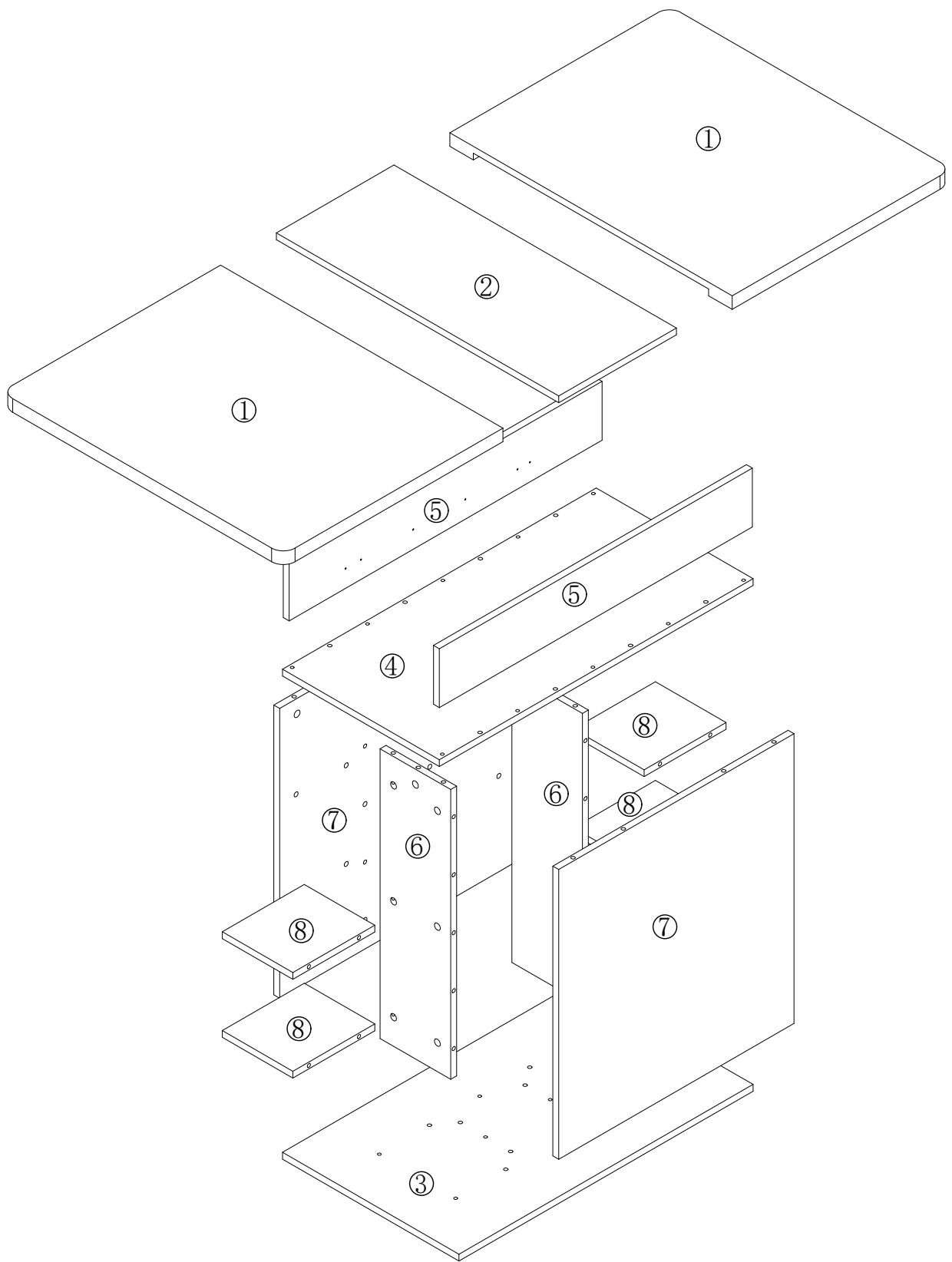


1

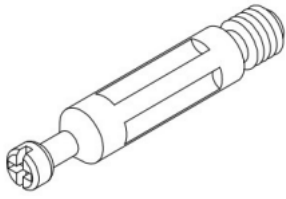
⑤



2



A1



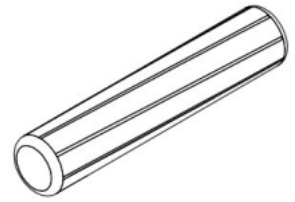
Φ 6x40MM 18 Pcs

A2



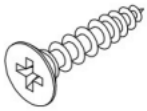
Φ 15x11.5MM 18 Pcs

B



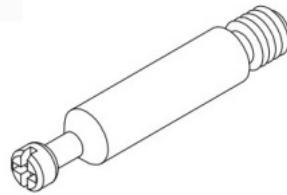
Φ 8x40MM 32 Pcs

C



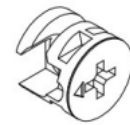
Φ 3.5X16MM 44 Pcs

D1



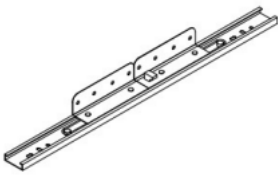
Φ 6X32MM 16 Pcs

D2



Φ 12x10MM 16 Pcs

E



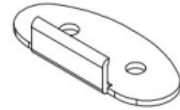
2 Pcs

F1



4 Pcs

F2



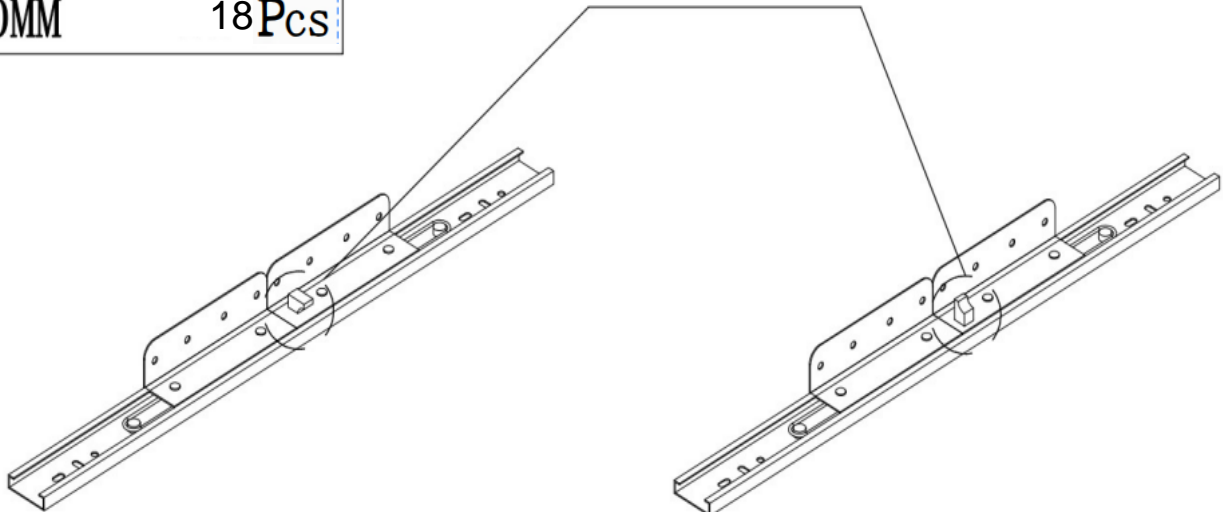
4 Pcs

G

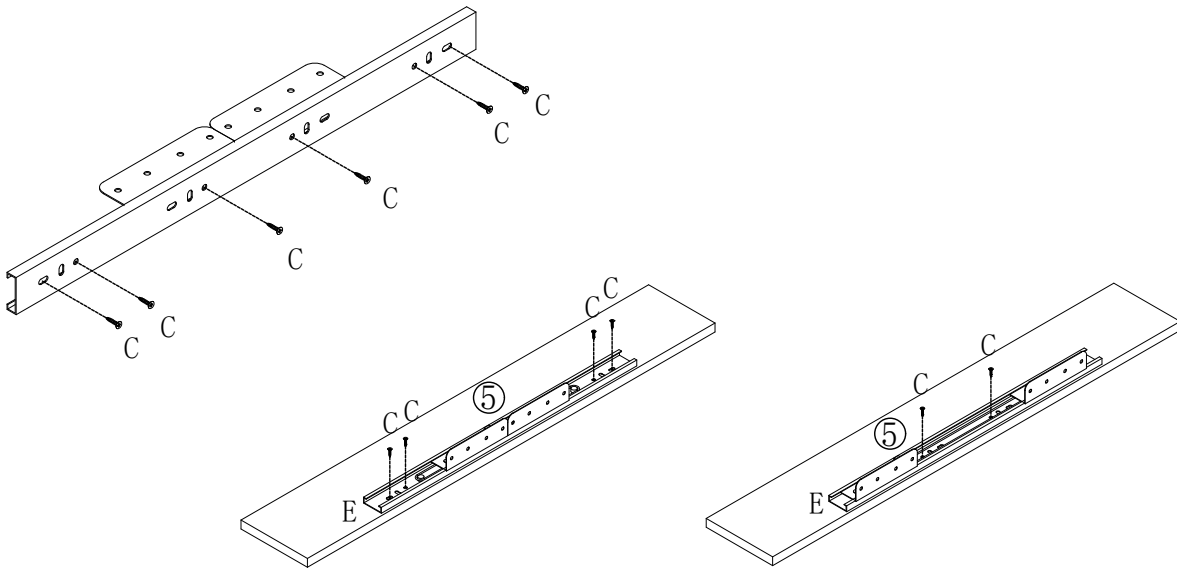




Φ 7X50MM 18Pcs

Switch the switch to this state to make the slide work

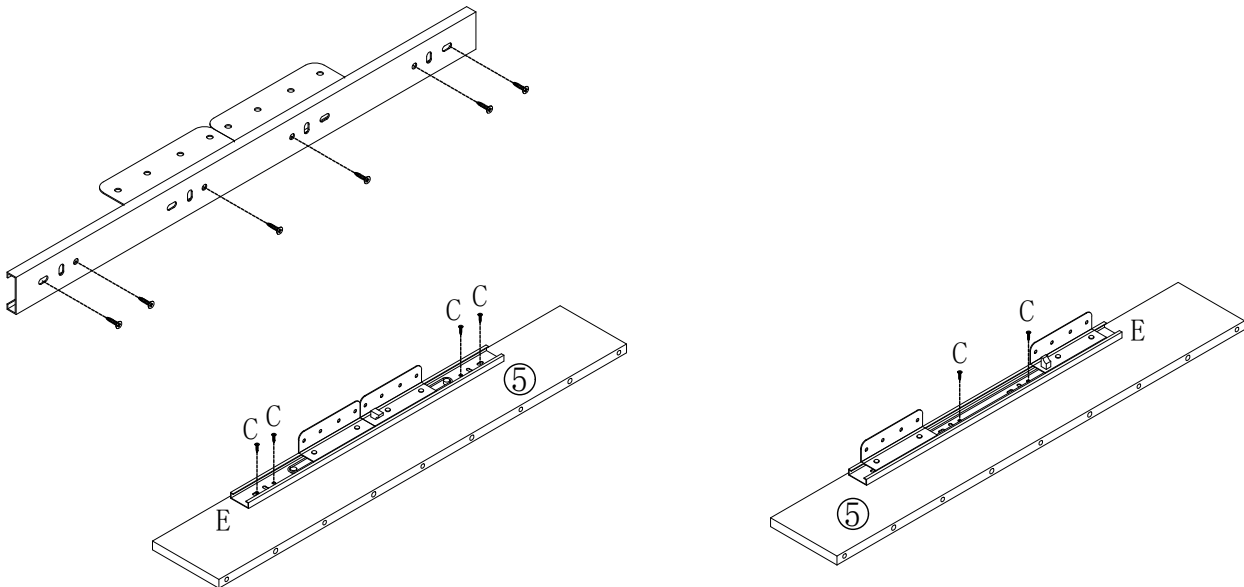




STEP 1



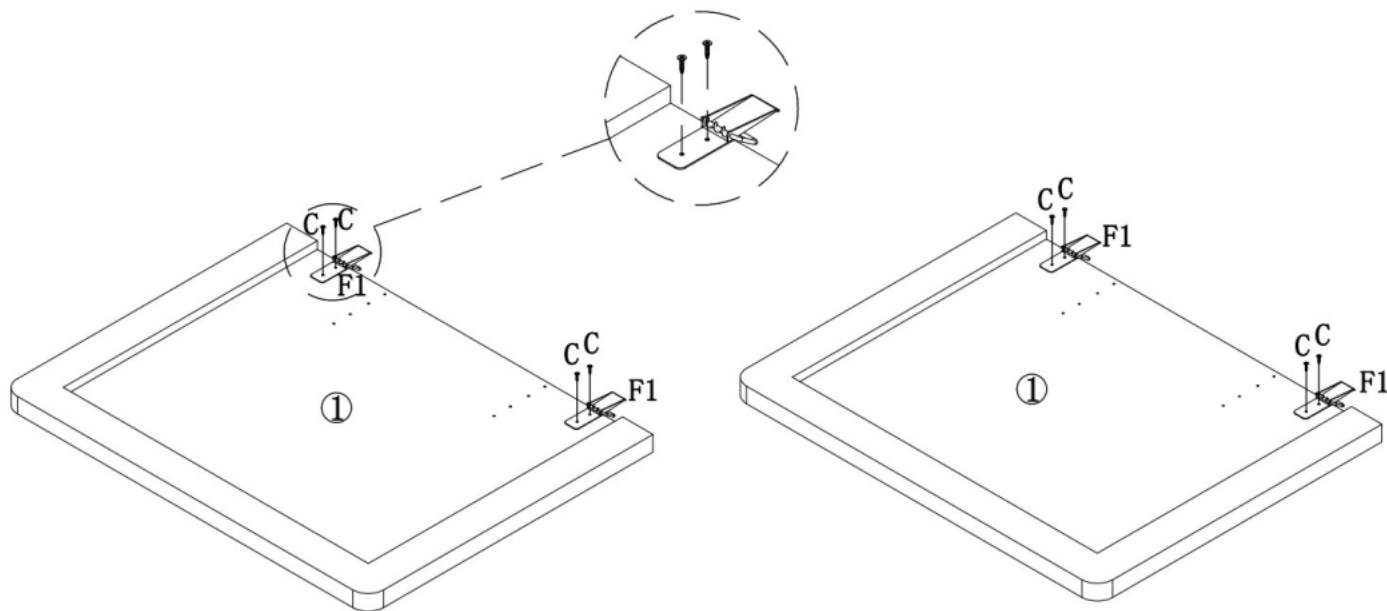
	Ex1pc
	Cx6pcs



STEP 2



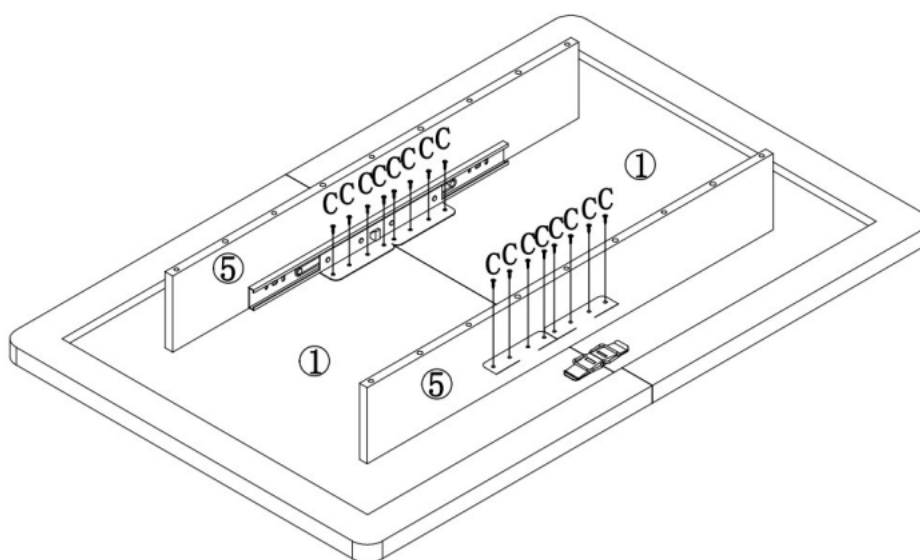
	Ex1pc
	Cx6pcs


STEP 3



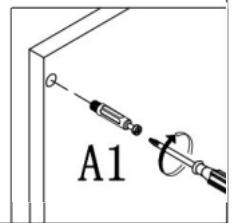
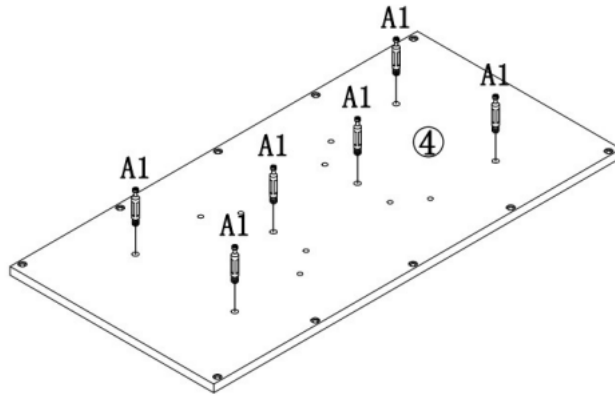
 F1x4	
 Cx8	

STEP 4



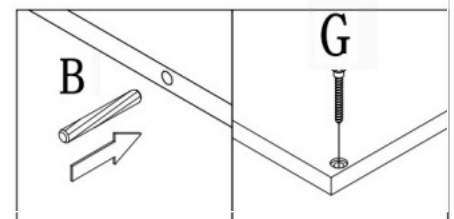
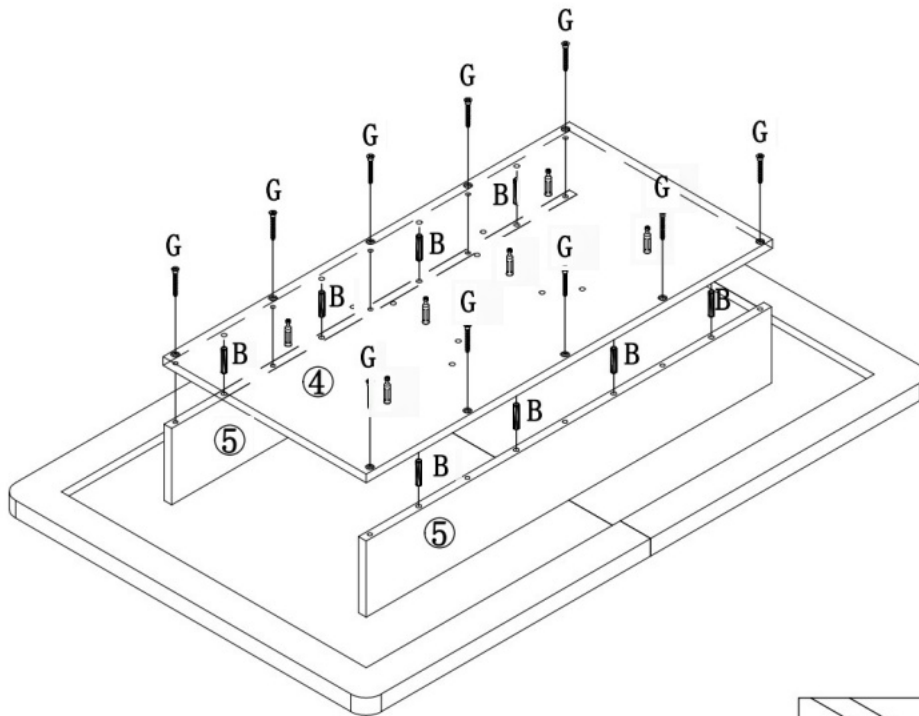
 Cx16	
---	--

STEP 5



A1x6

STEP 6

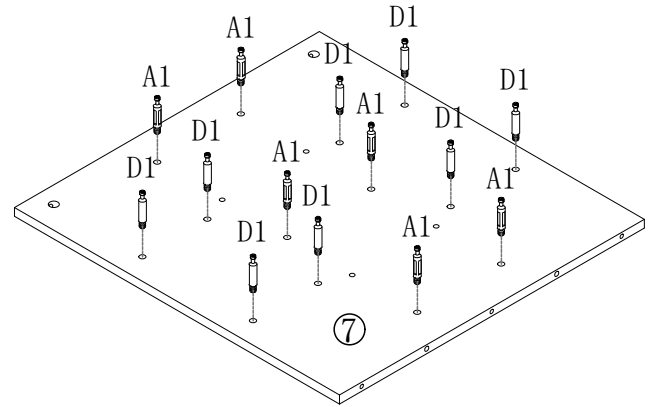
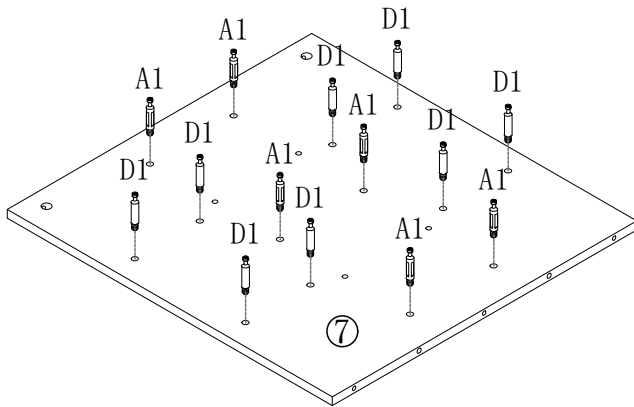


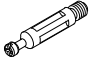
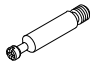
Bx8

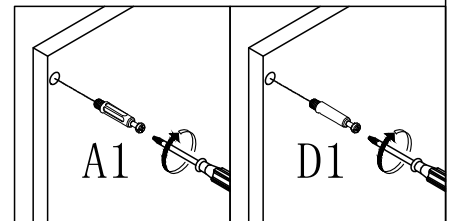


Gx10

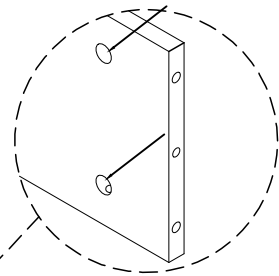
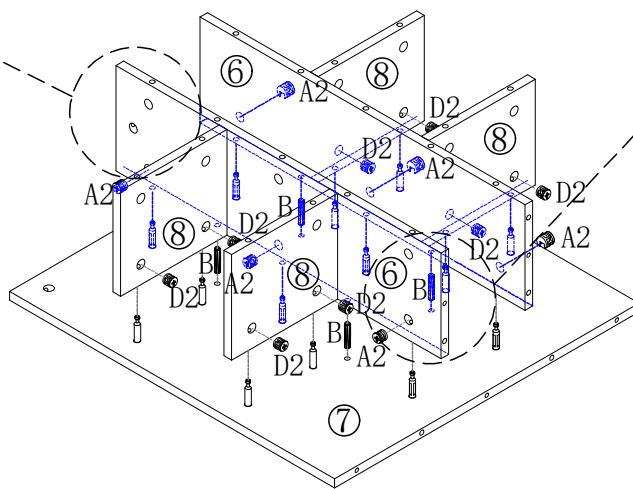
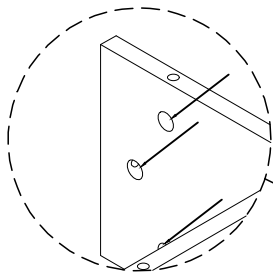
STEP 7

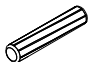




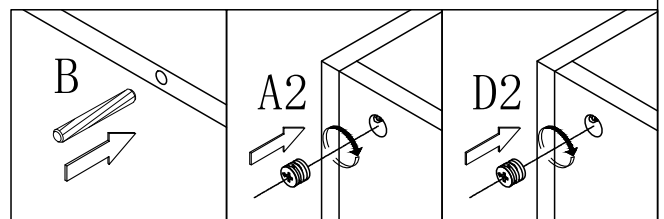
	A1x12pcs
	D1x16pcs



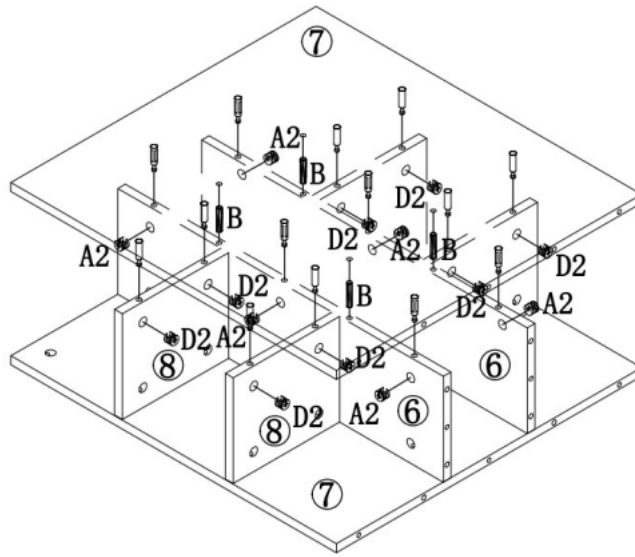
STEP 8






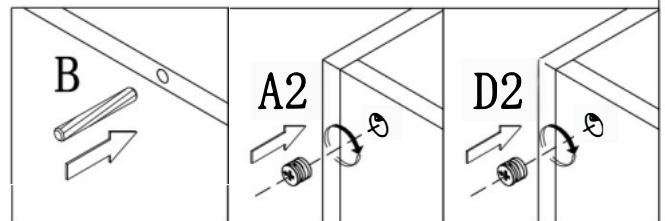
	Bx4pcs
	A2x6pcs
	D2x8pcs



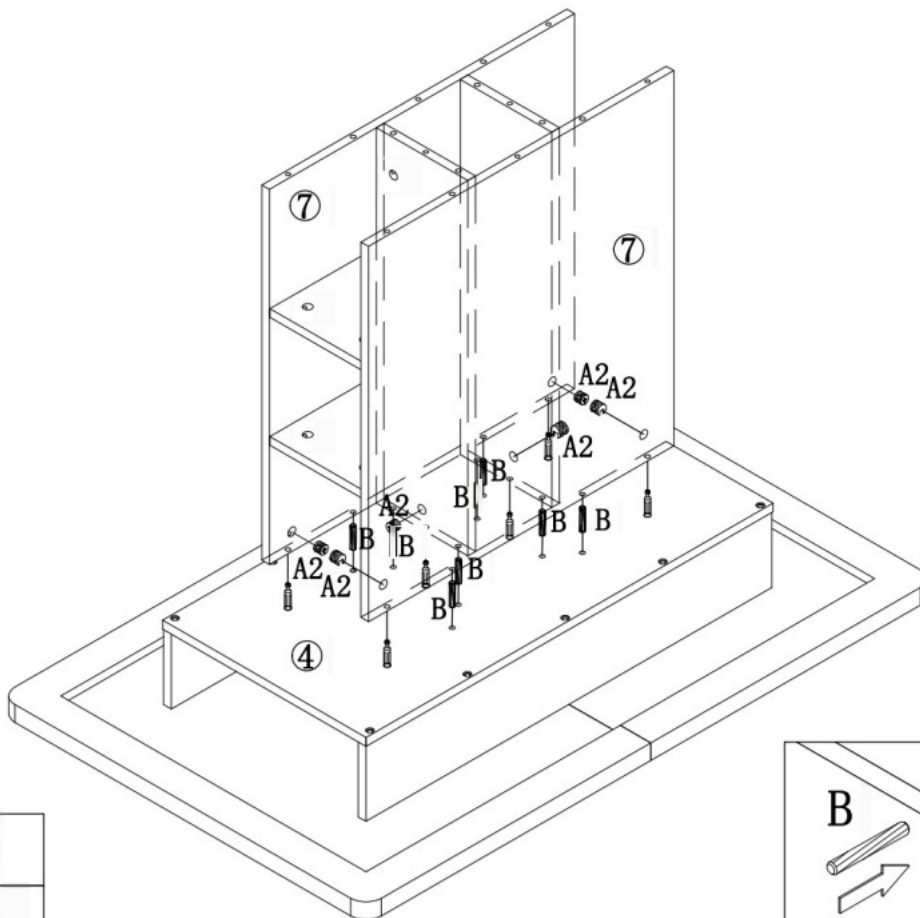
STEP 9





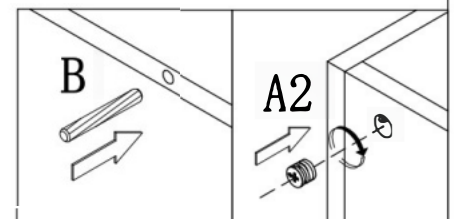
	Bx4
	A2x6
	D2x8



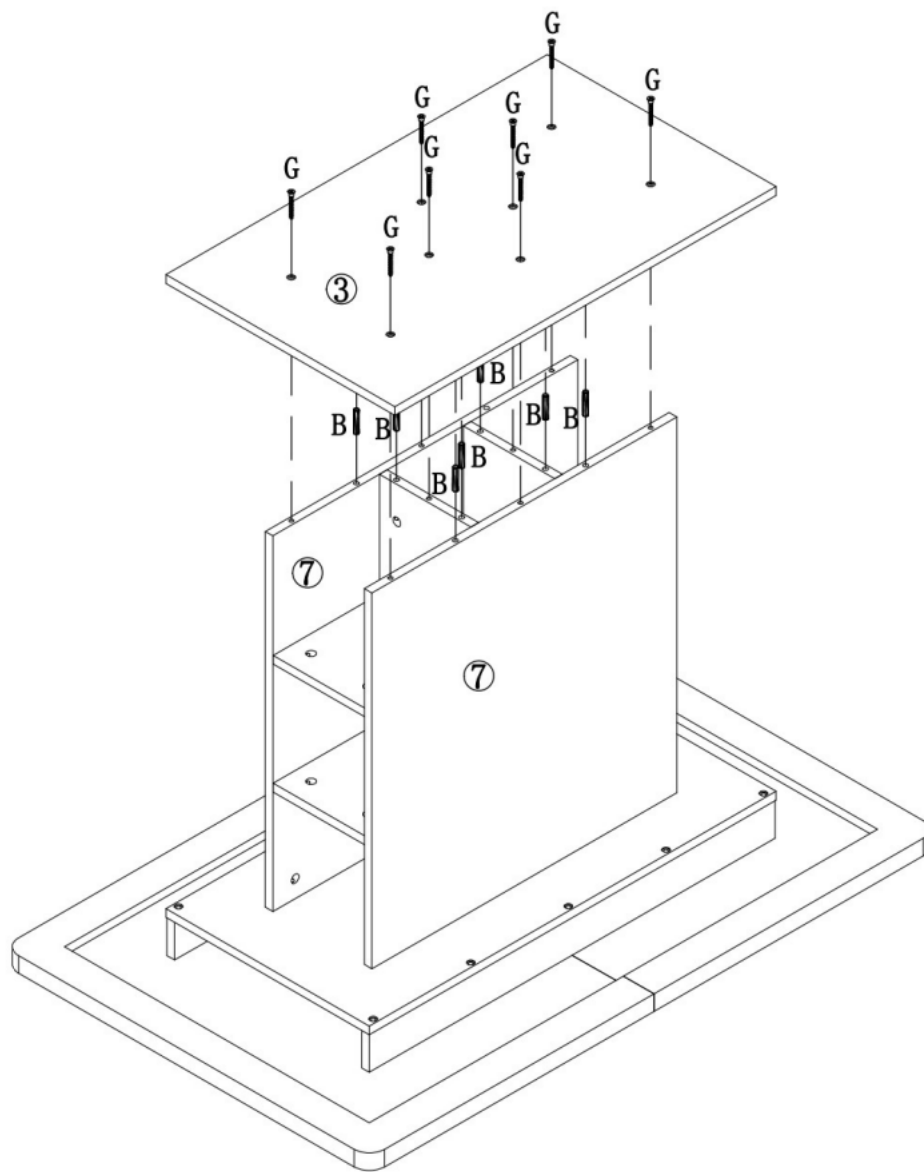
STEP 10





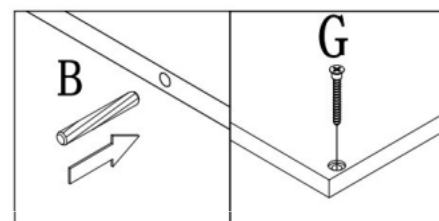
	Bx8
	A2x6



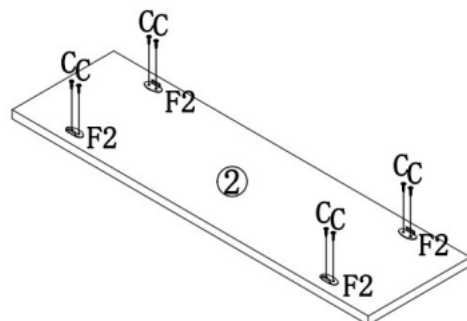
STEP 11





	Bx8
	Gx8

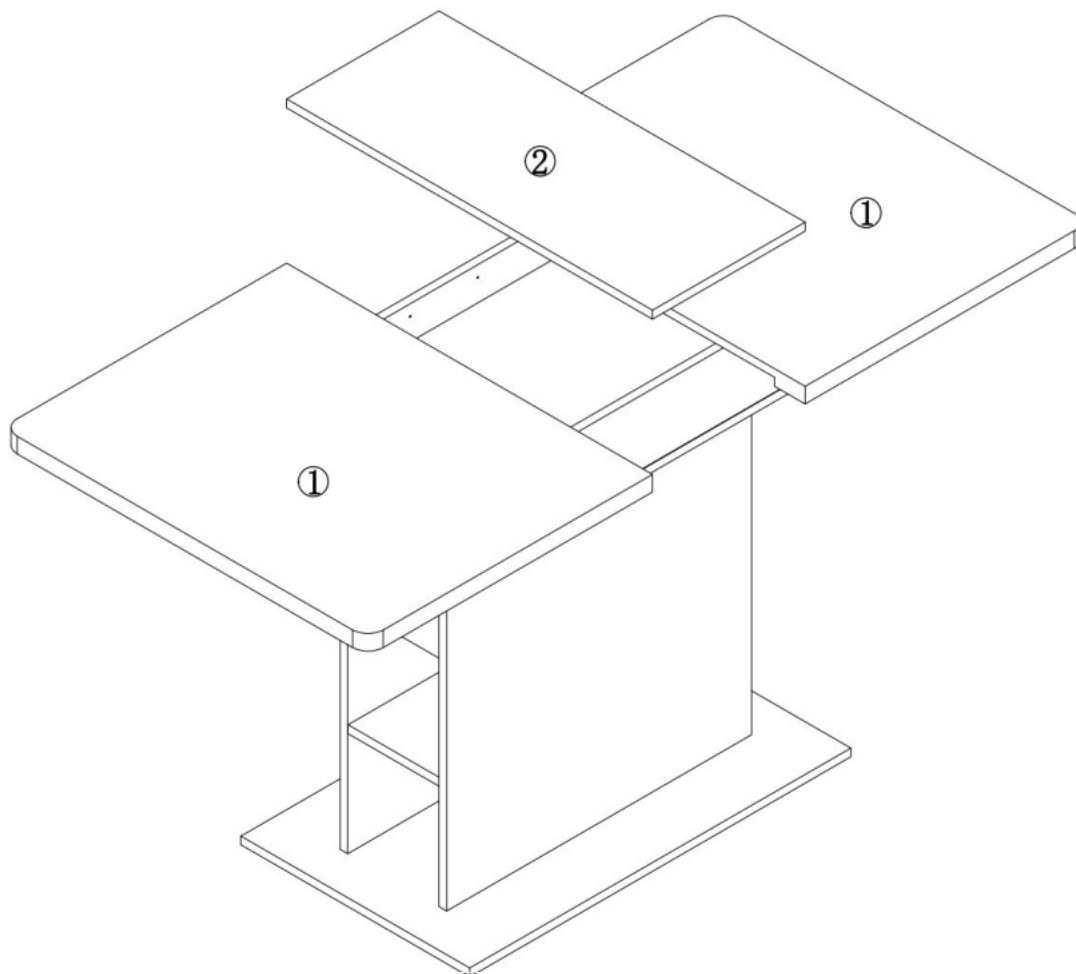


STEP 12



	F2x4
	Cx8

STEP 13



STEP 14

