

INSTRUCTION MANUAL

BEFORE STARING

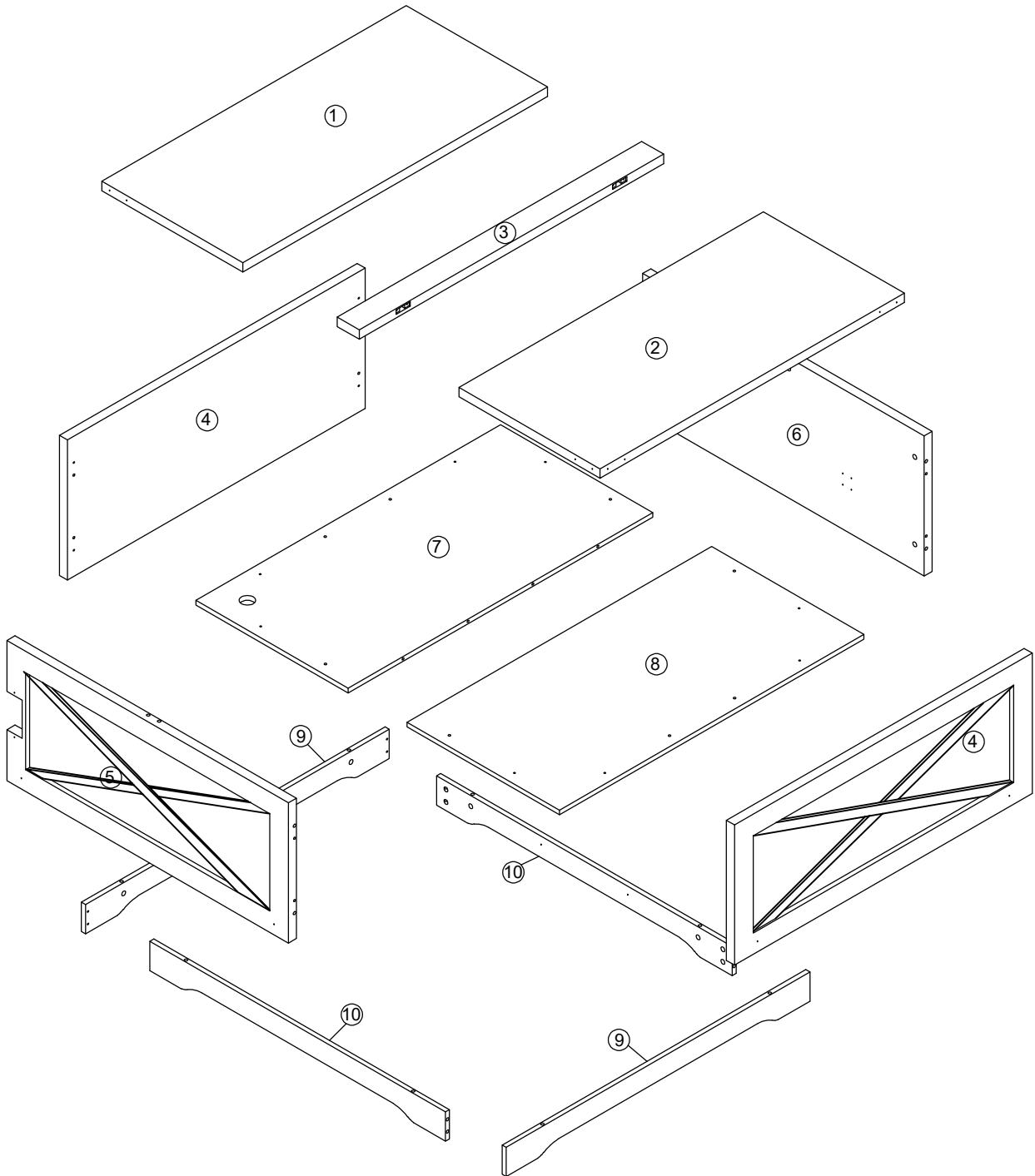
Before Using Product

- Read each step carefully before starting. It is very important that each step is performed in the correct order. If these steps are not followed in sequence, assembly difficulties will occur.
- Make sure all parts are included.
- Work in a spacious area and near where the unit will be used, preferably on a carpet, or use a piece of the cardboard packaging to protect your floor and product.
- For a smooth assembly process, we suggest you keep a lite tightness for all the screws during assembly. After the whole product is assembled, firmly tighten all the screws.

WARNING

- Do not allow children to climb on unit.
- Avoid sharp objects or corrosive chemicals to prevent damage to the product.
- During assembly, keep parts and packaging materials away from children and pets as there could be potential injury and choking hazards.
- Please make sure that all objects are removed before moving the assembled unit.
- The unit must be team lifted, not dragged or pushed. Failure to do so could cause instability, product collapse, and/or serious injury.
- Be careful when using power tools to assemble your furniture. Power tools may strip or damage the parts.

Product disassembly diagram



Hardware List

A



6*35
(31PCS)

B



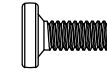
Ø12
(31PCS)

C



6*30
(23PCS)

D



M6×10mm

(4PCS)

E



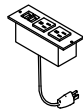
4*11
(62PCS)

F



(8PCS)

G



(1PCS)

H



(10PCS)

I



(2PCS)

J



Ø4×16mm

(27PCS)

K



(1PCS)

L



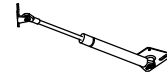
(1PCS)

M



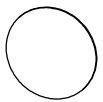
(2PCS)

N



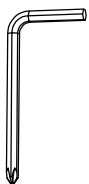
(2PCS)

O



(19PCS)

P



(1PCS)

Q



(1PCS)

R



(8PCS)

S

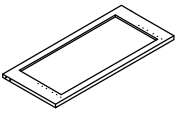


Ø5×50mm

(9PCS)

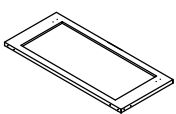
Panel List

①



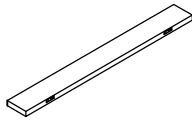
800*367*25mm
Lateral plate *1

②



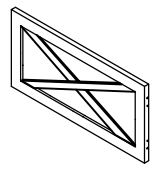
800*367*25mm
Lateral plate *1

③



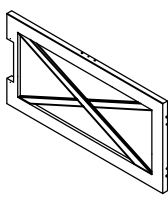
800*65*25mm
Small panel *1

④



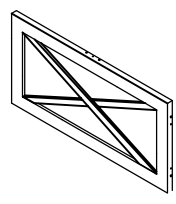
780*359*25mm
dam-board *2

⑤



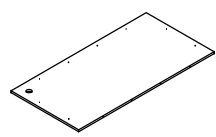
732*359*25mm
right-side plate*1

⑥



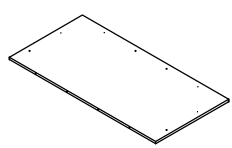
732*359*25mm
left side plate *1

⑦



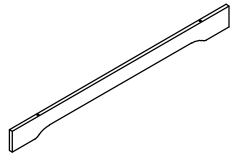
400*800*12mm
baseplate *1

⑧



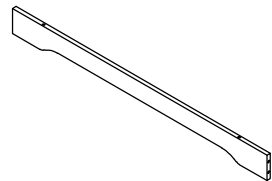
400*800*12mm
baseplate *1

⑨



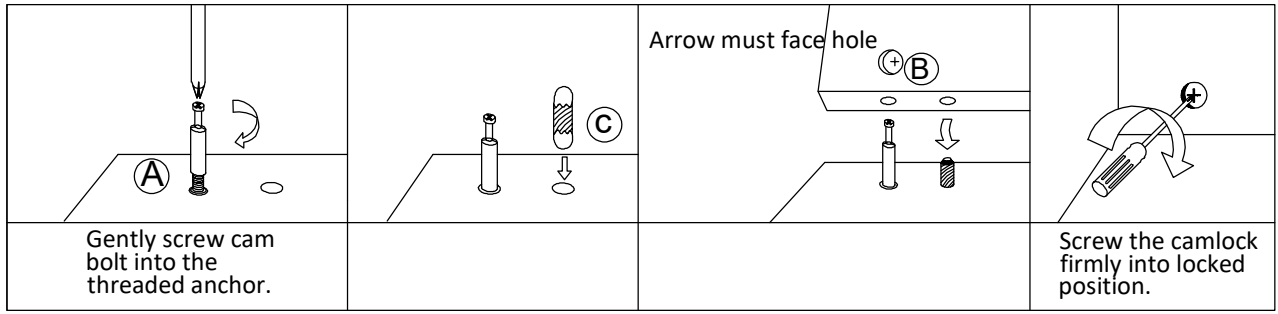
798*75*12mm
baseboard *2

⑩



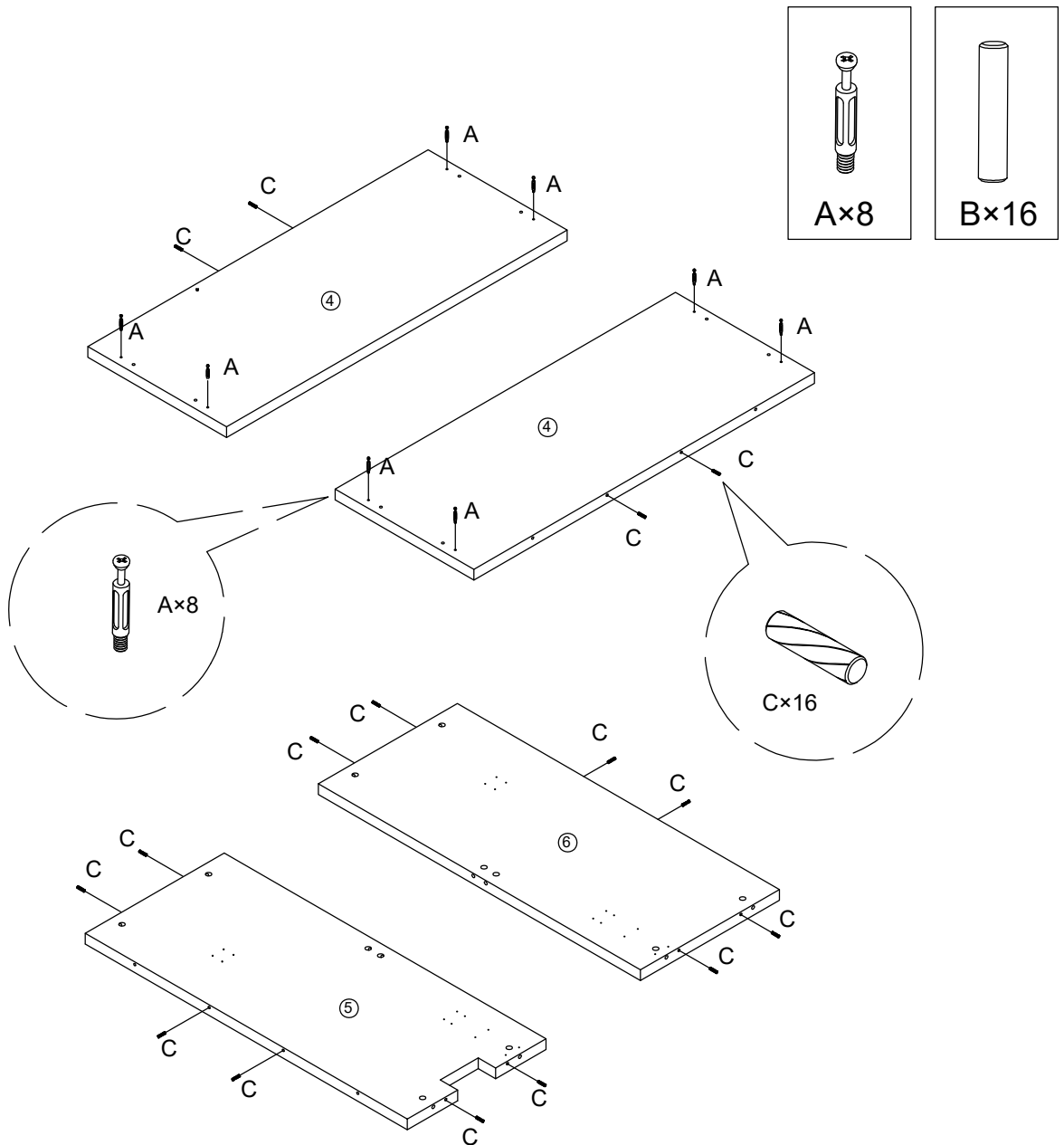
774*75*12mm
baseboard *2

Assembling the unit with camlocks and wood dowels.

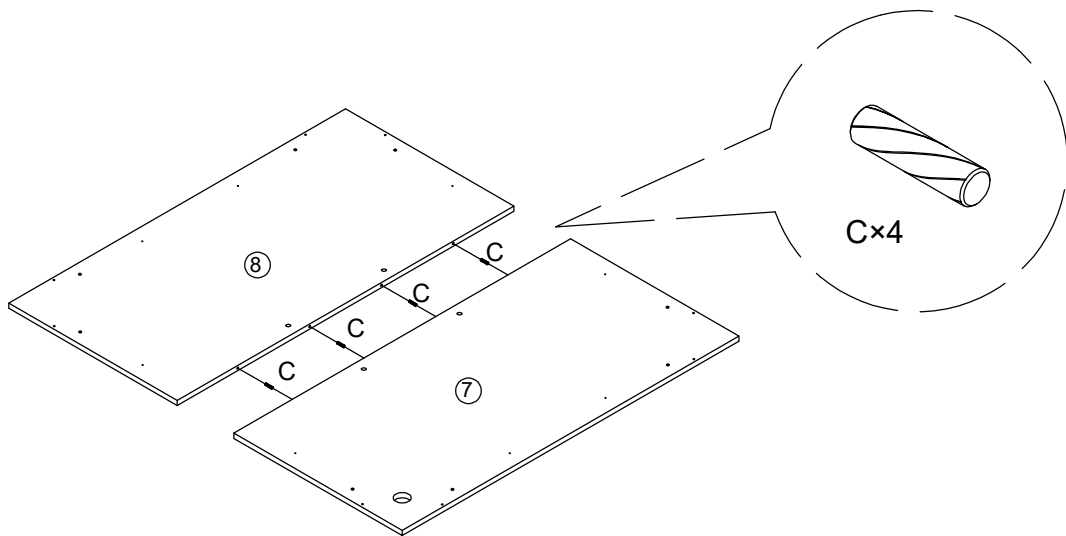
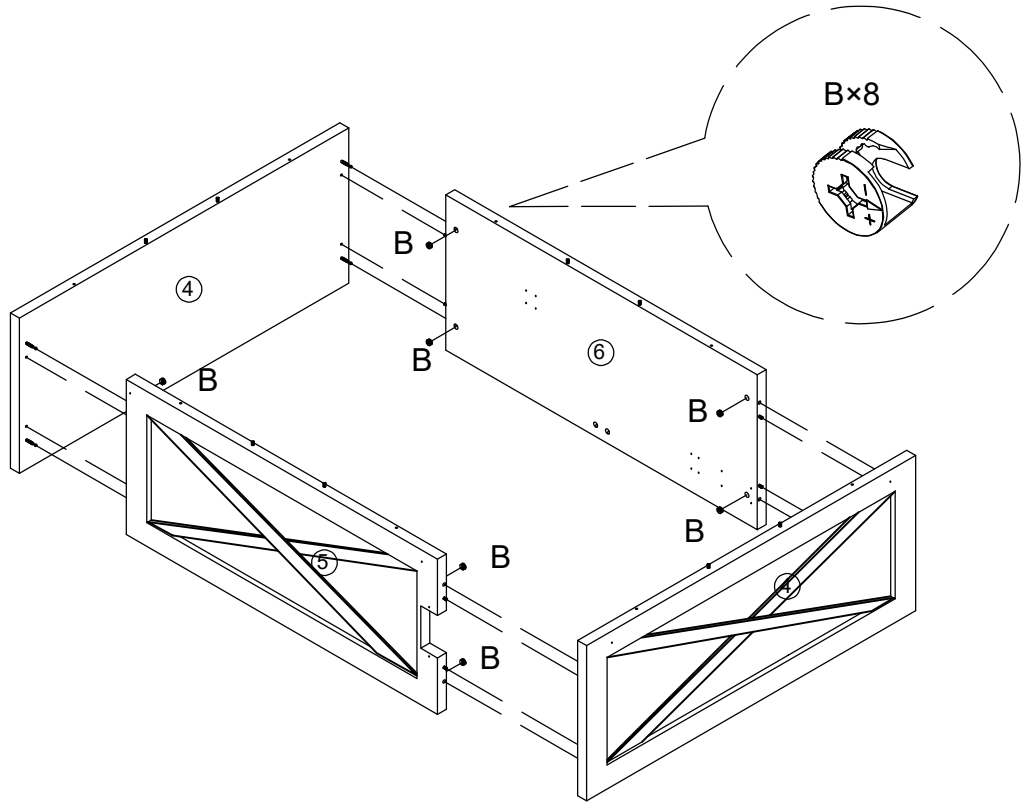
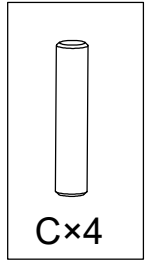
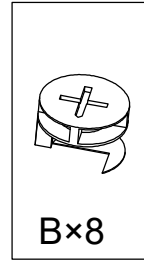


Assembly instructions

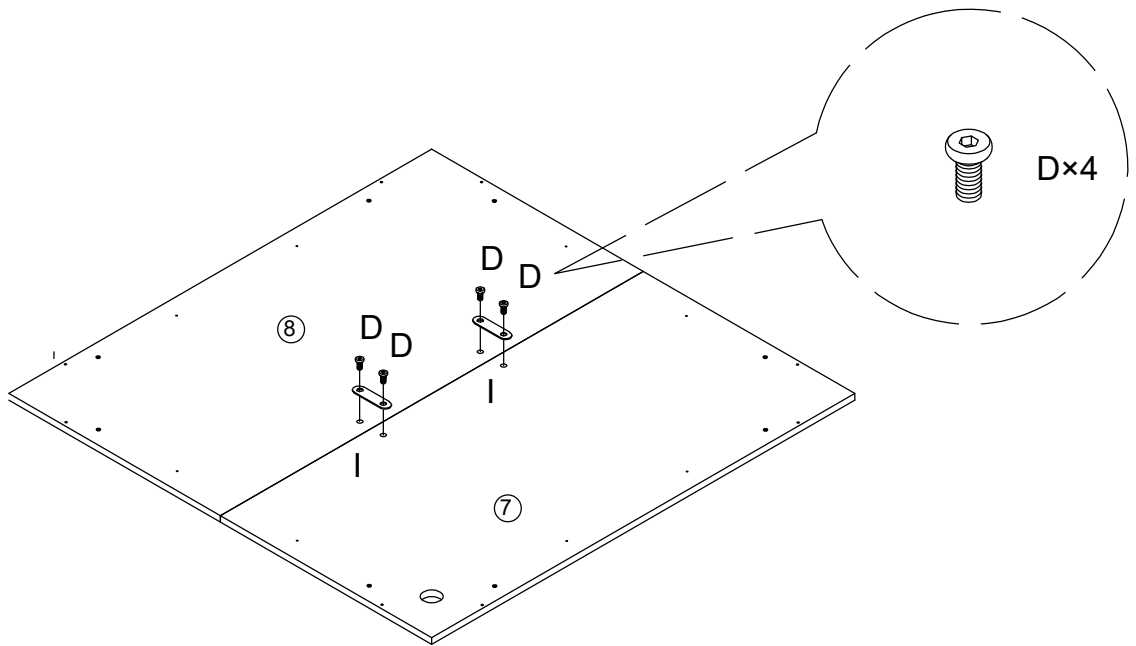
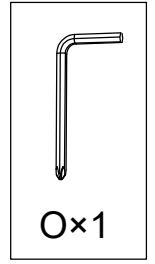
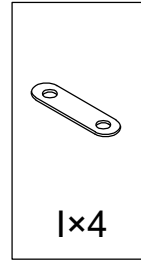
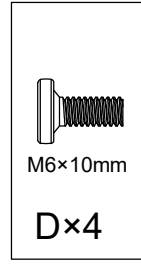
Step 1



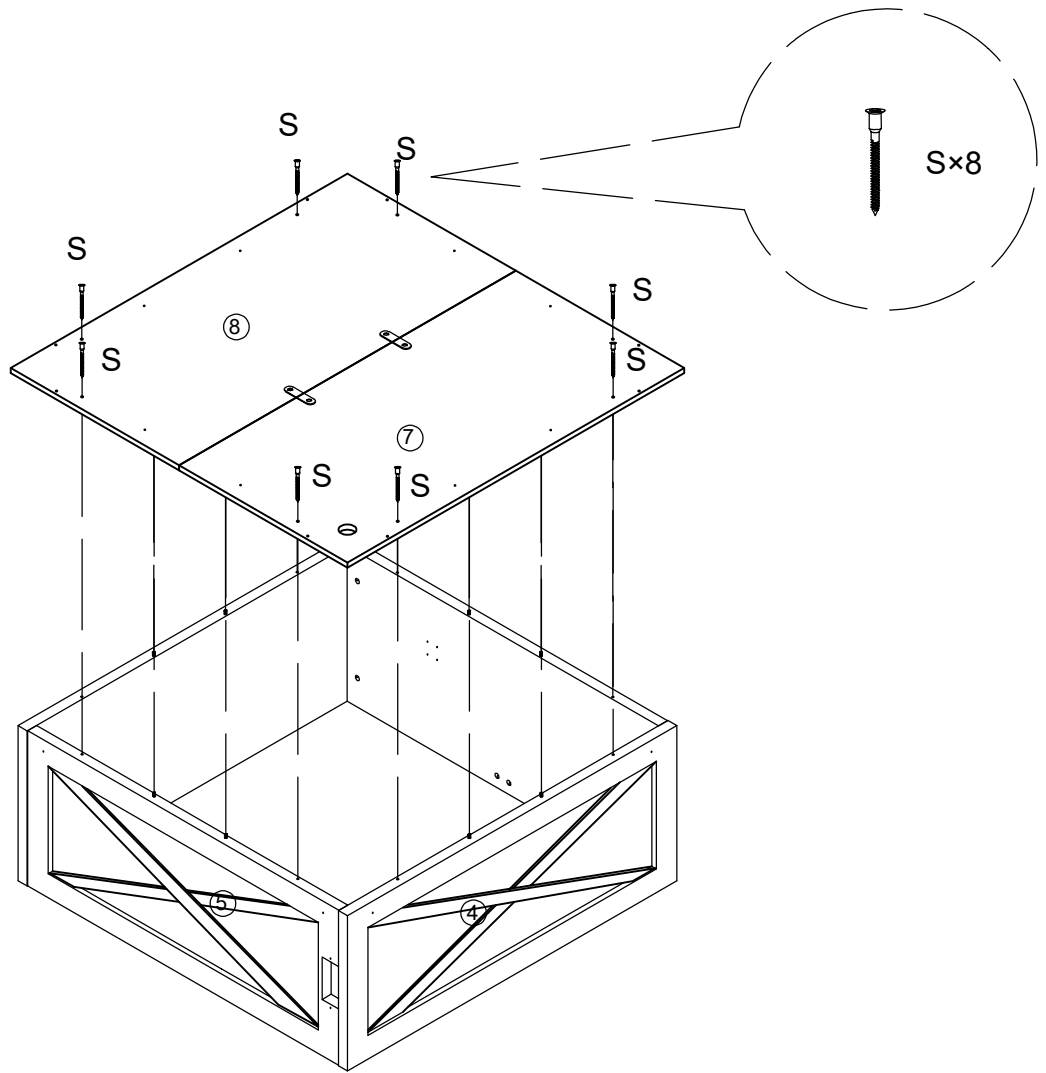
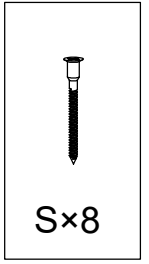
Step 2



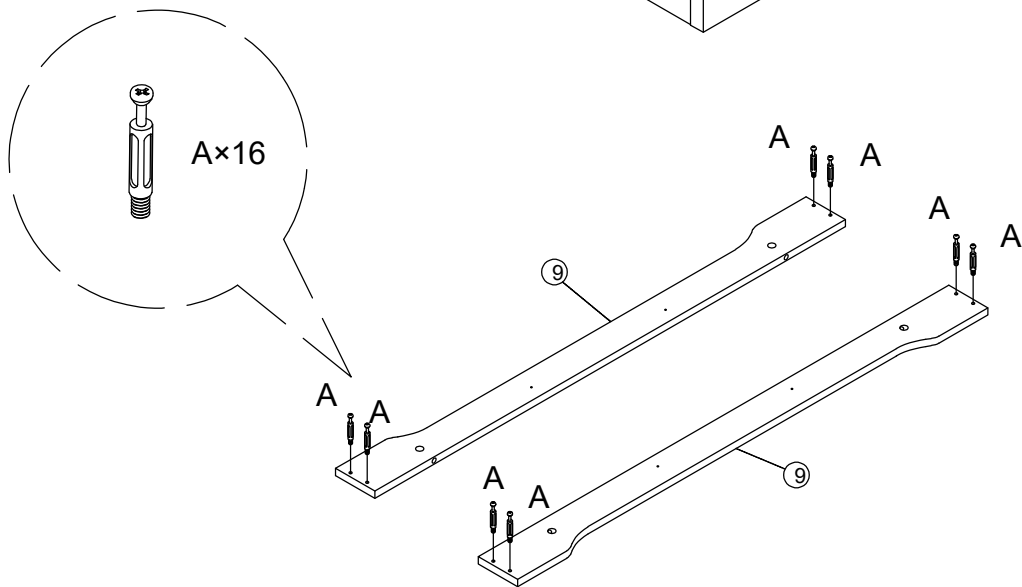
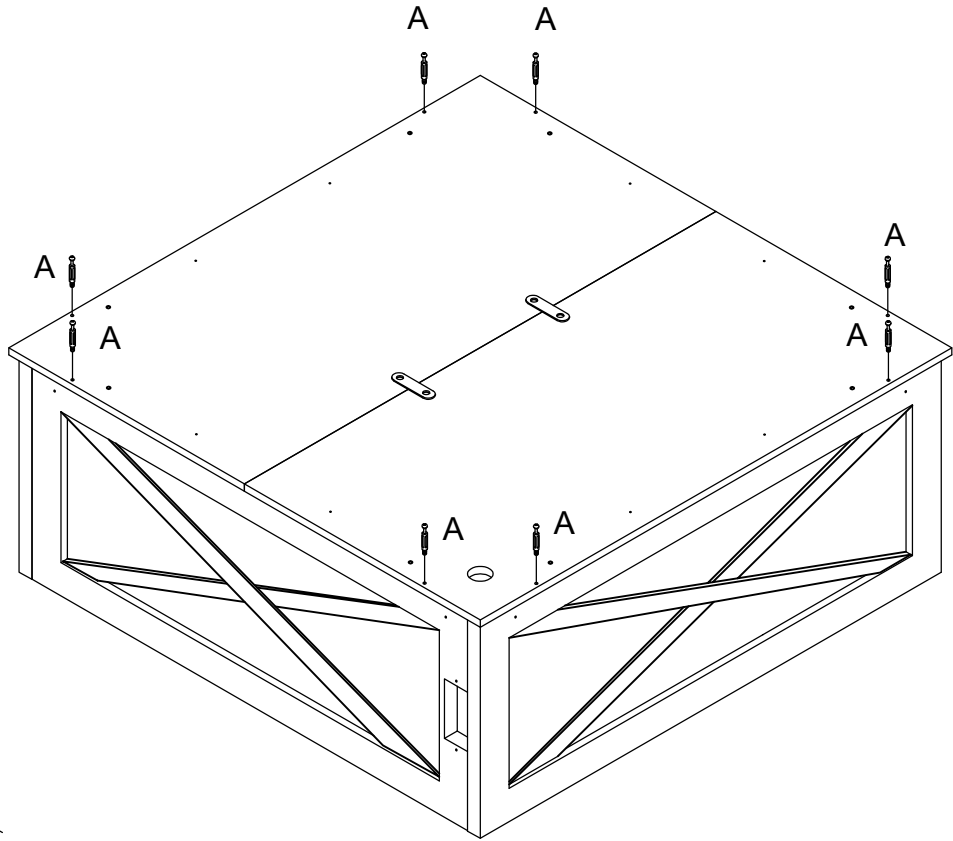
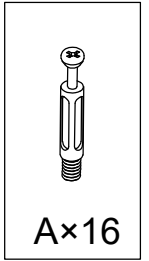
Step 3



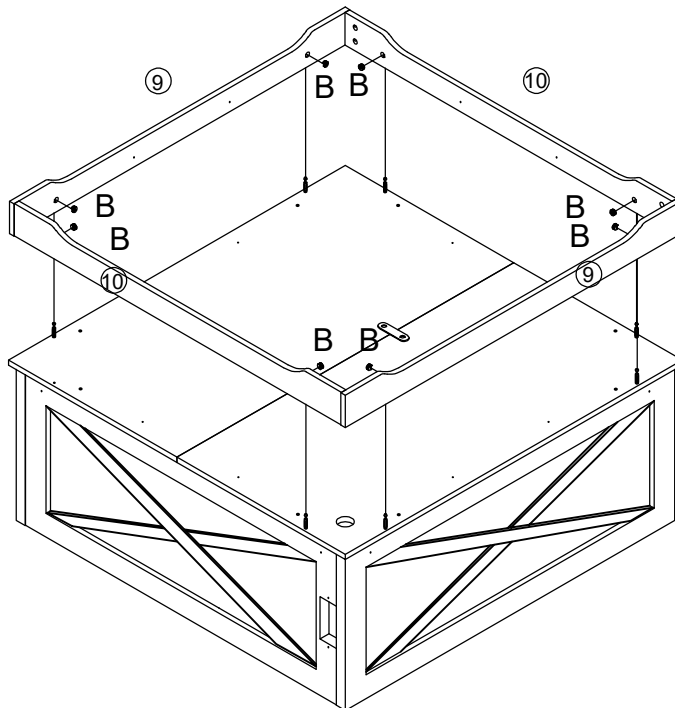
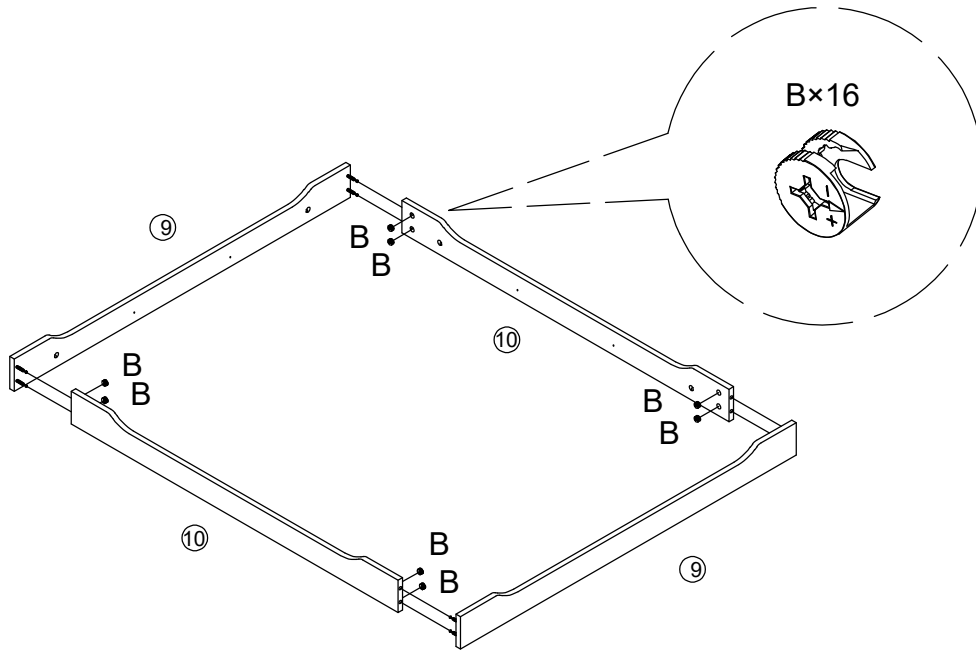
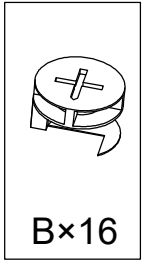
Step 4



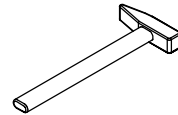
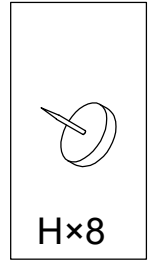
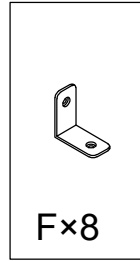
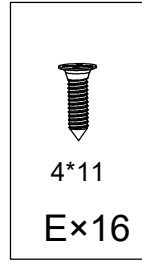
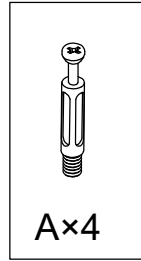
Step 5



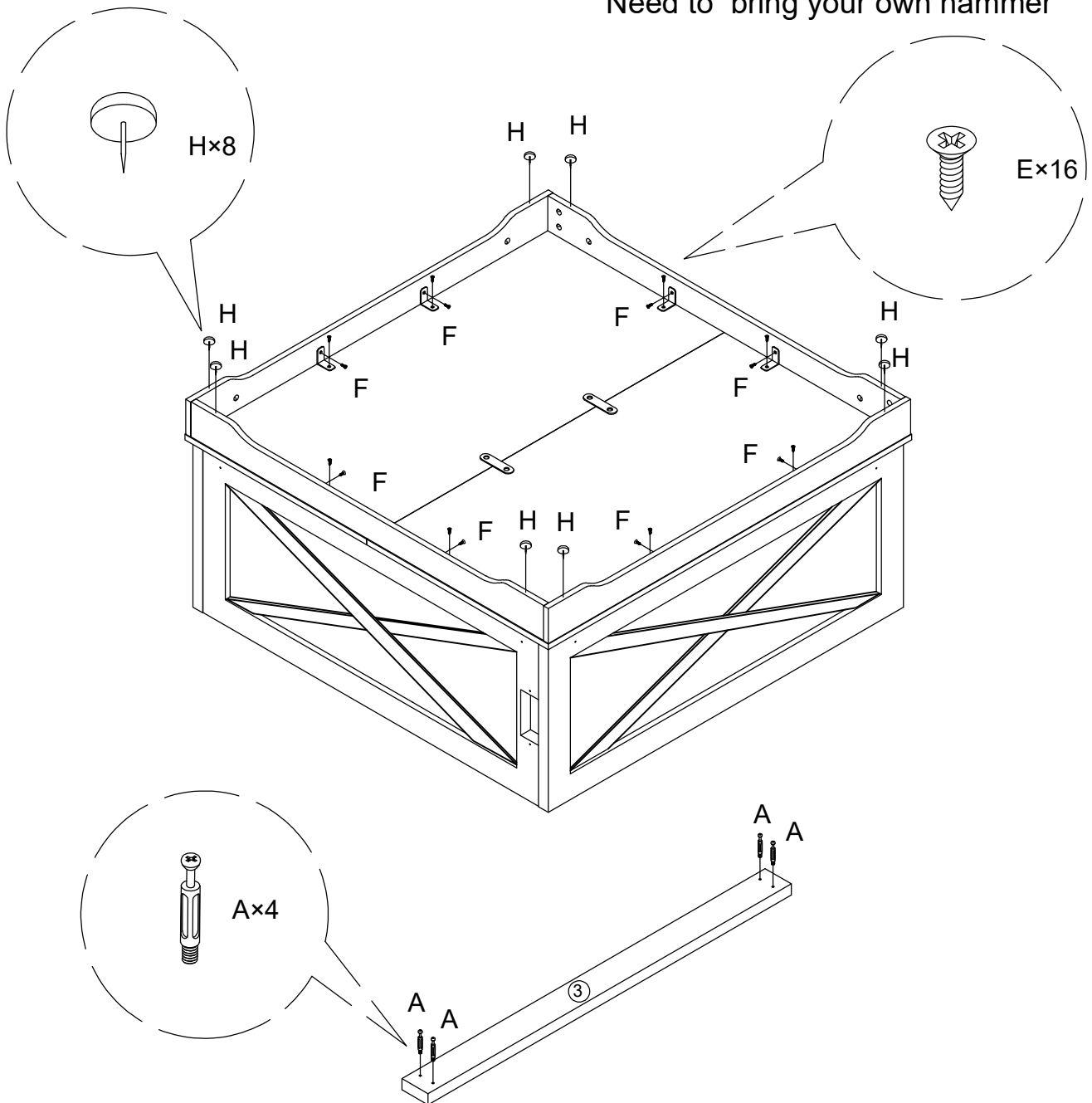
Step 6



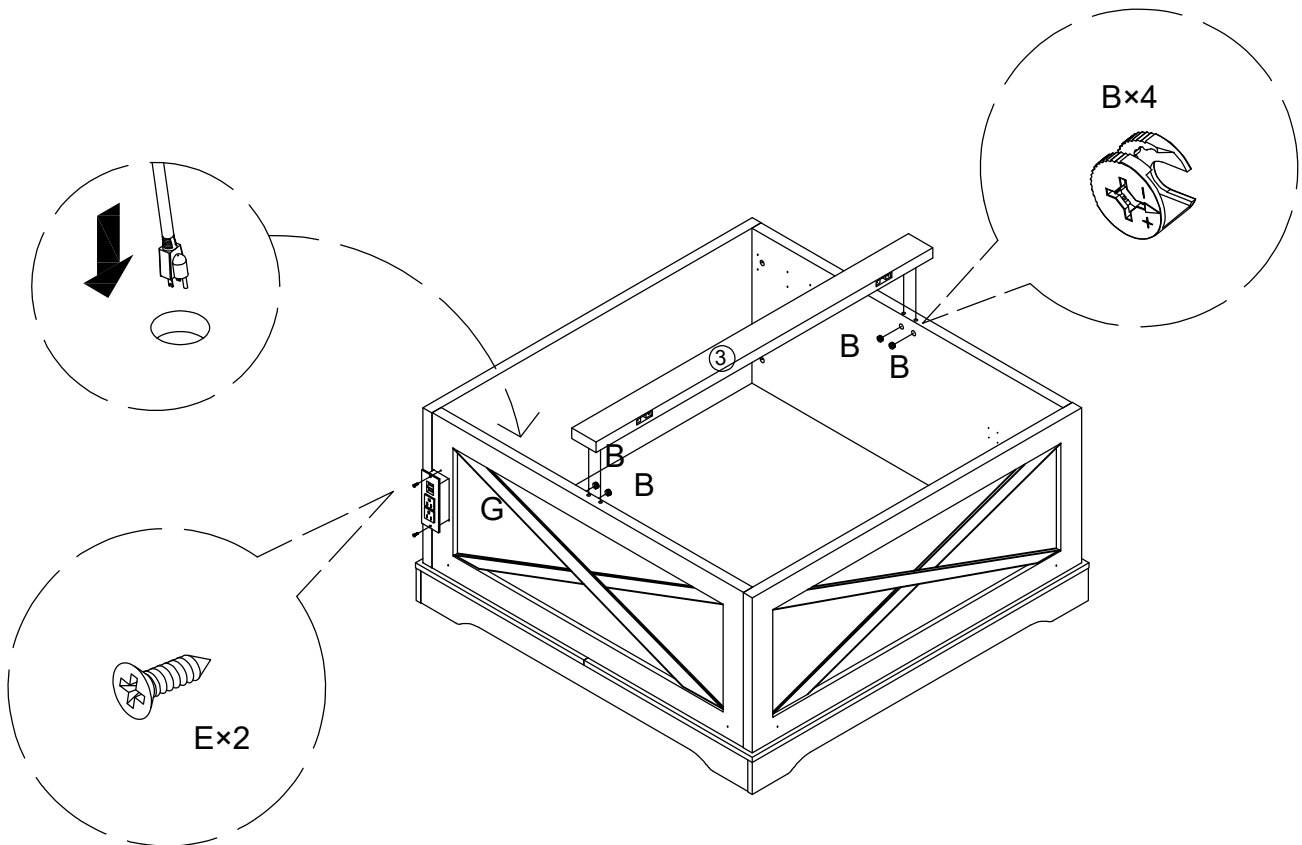
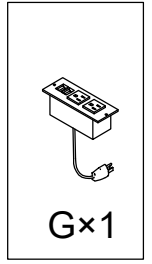
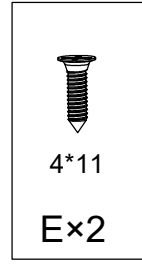
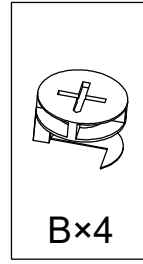
Step 7



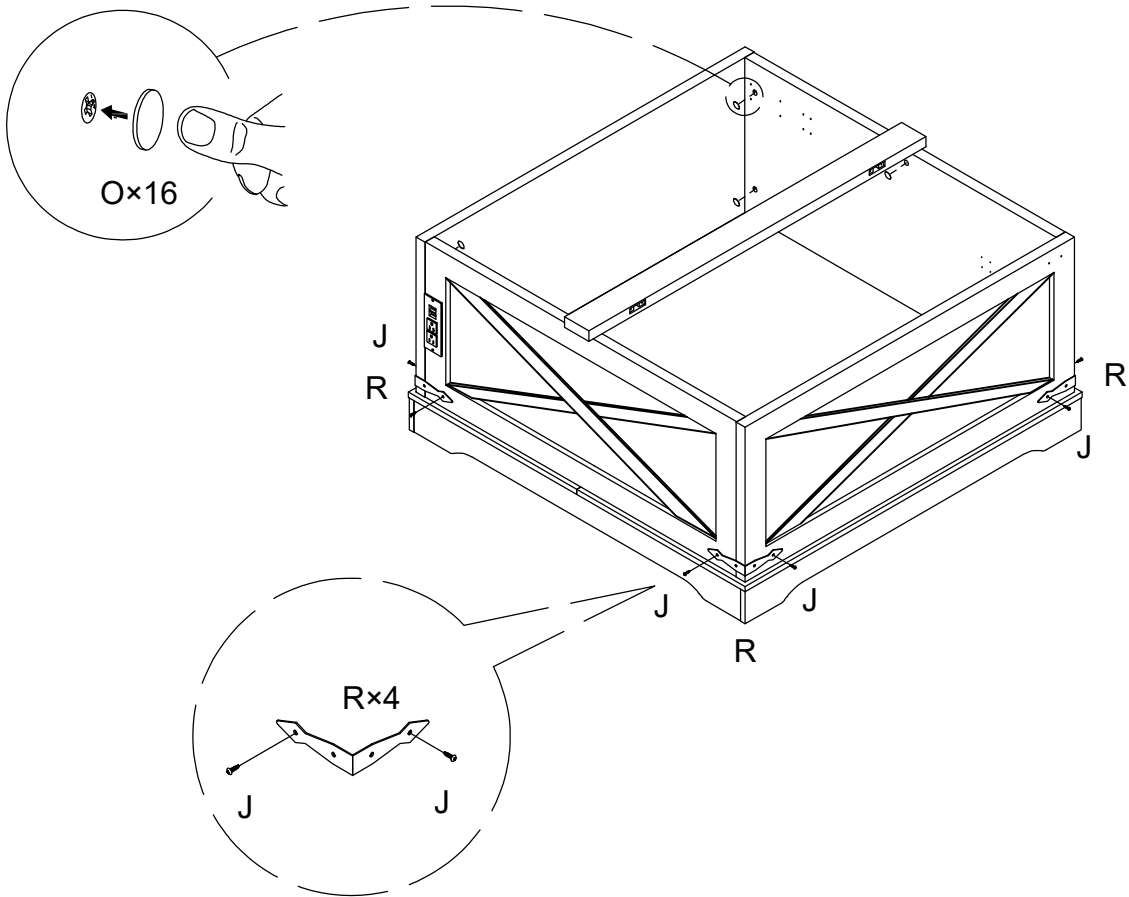
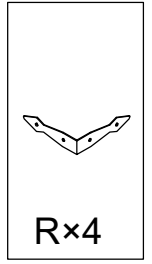
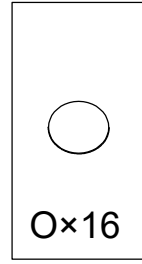
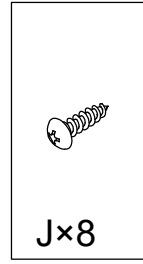
Need to bring your own hammer



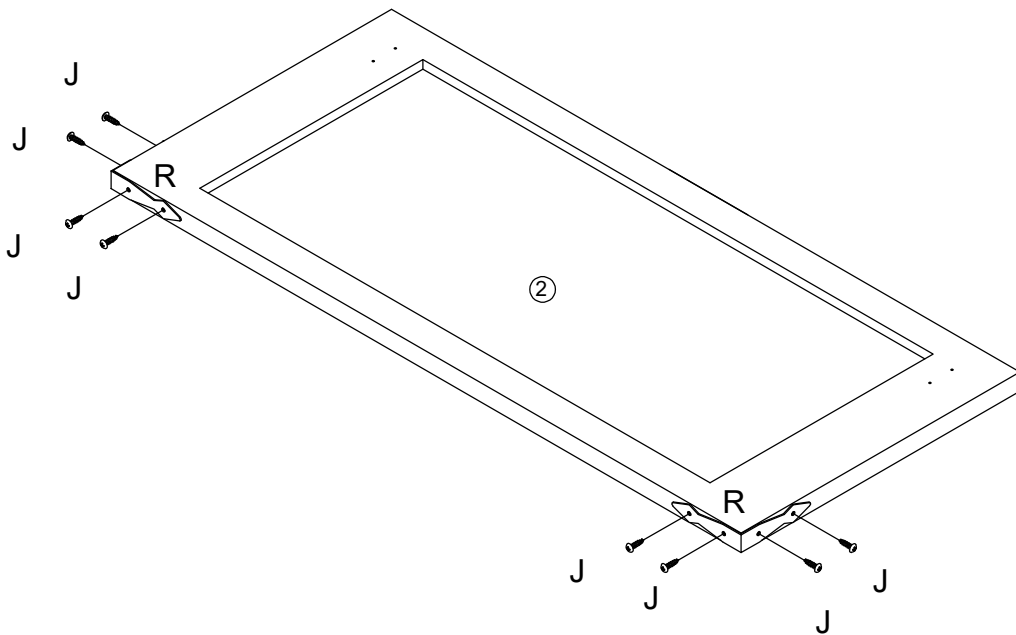
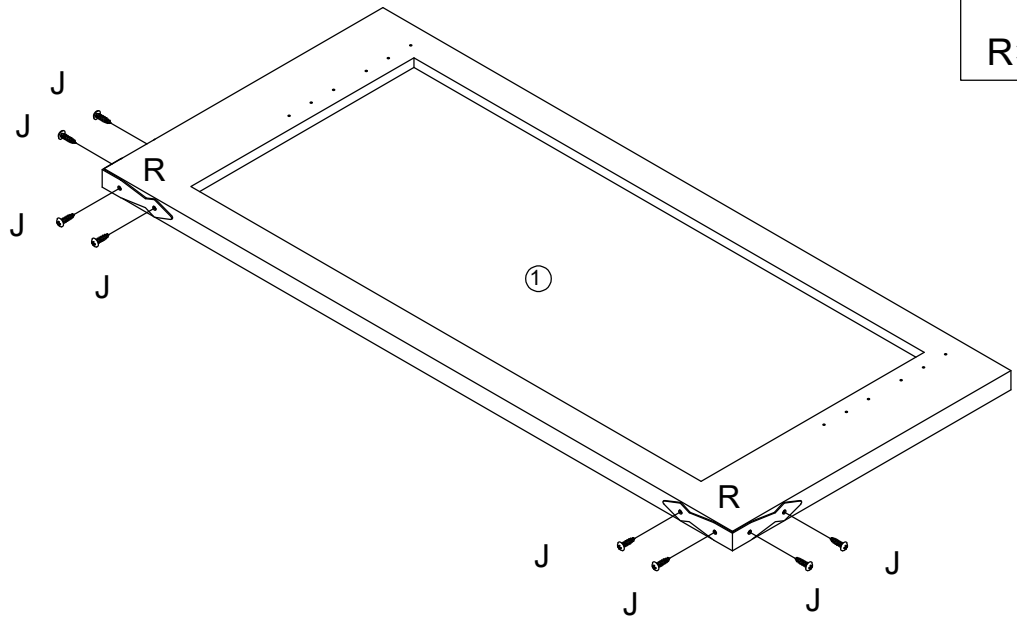
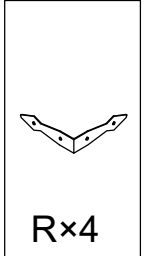
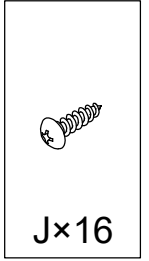
Step 8



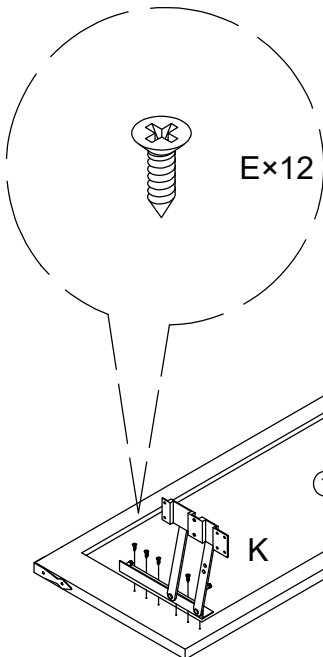
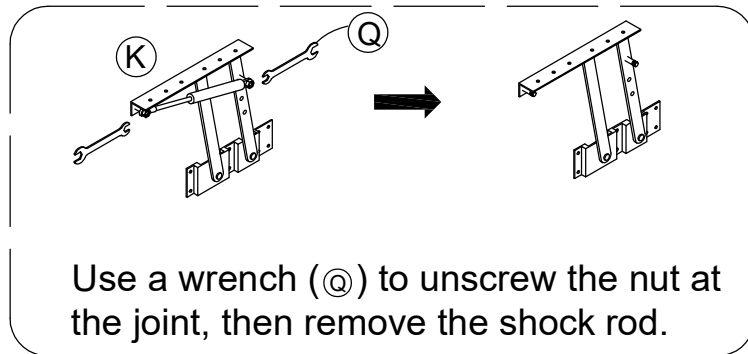
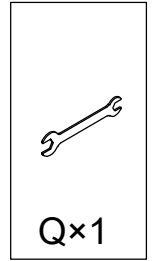
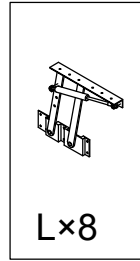
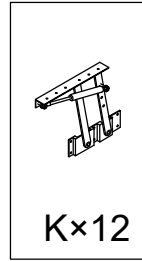
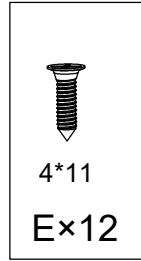
Step 9



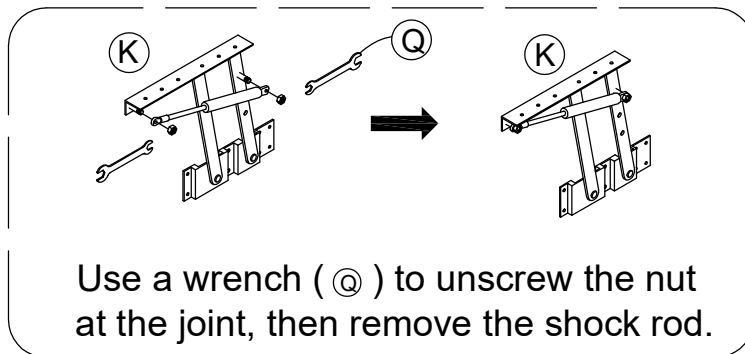
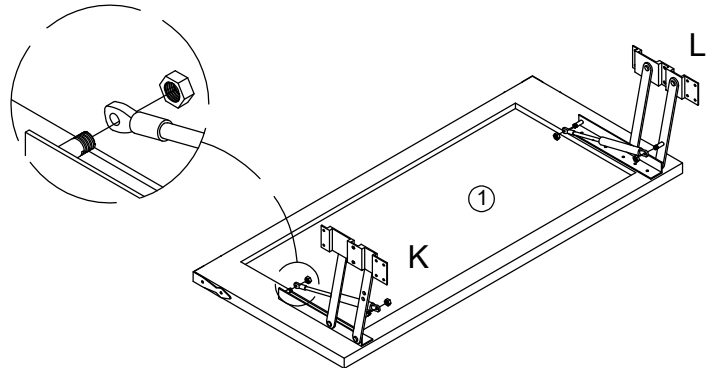
Step 10



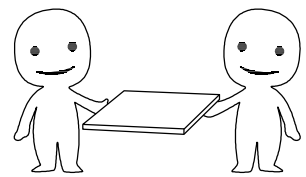
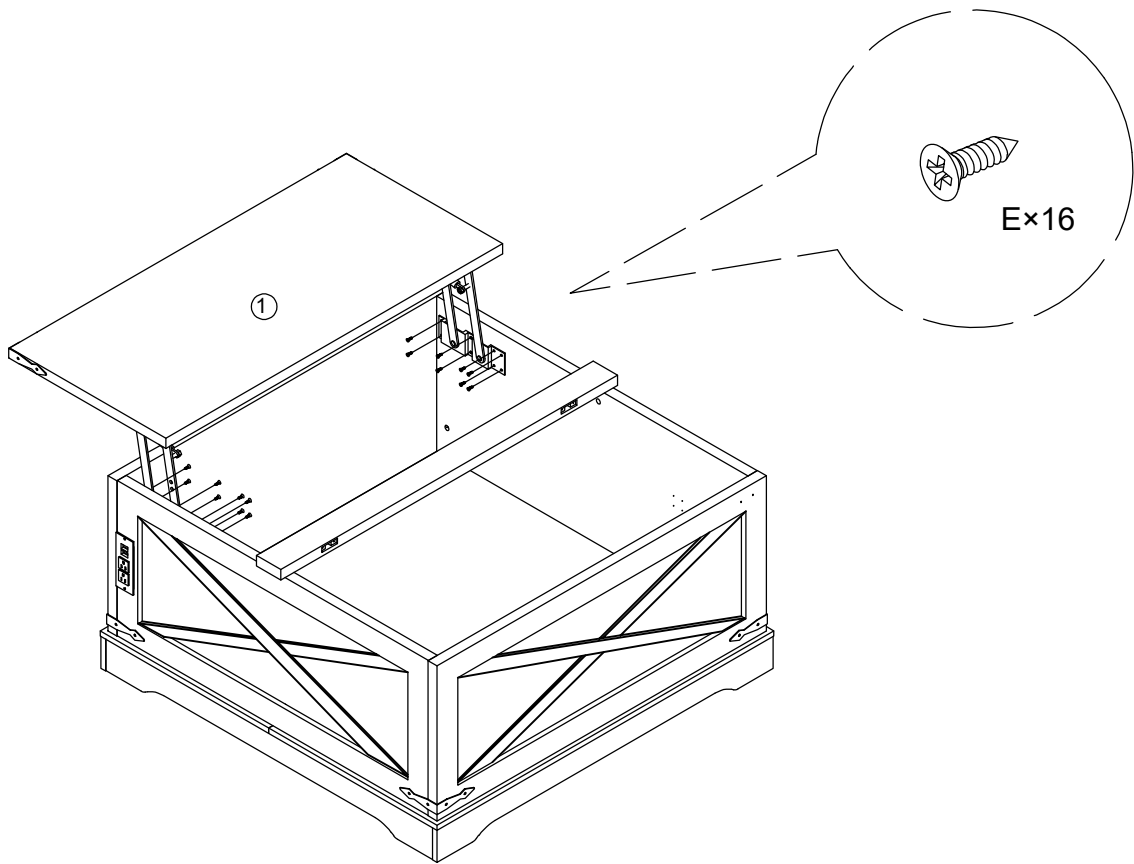
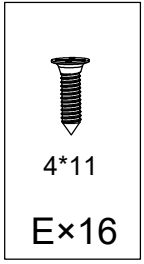
Step 11



Note: (K) and (L) about points, pay attention to distinguish when installing

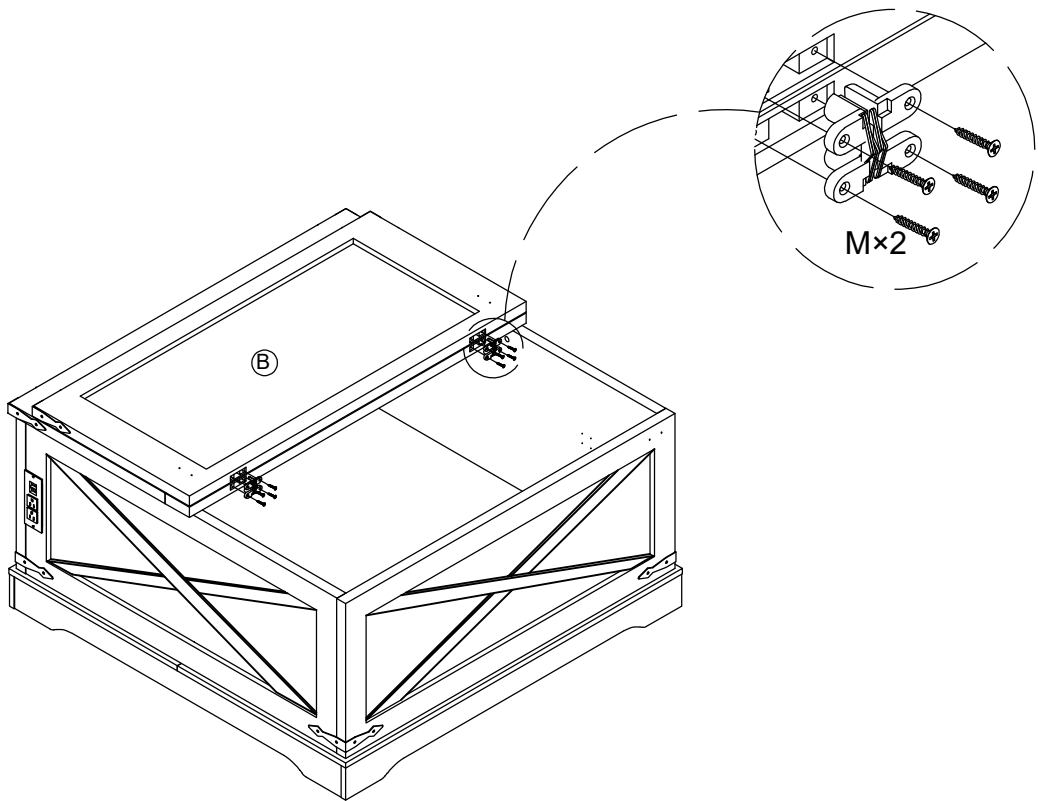
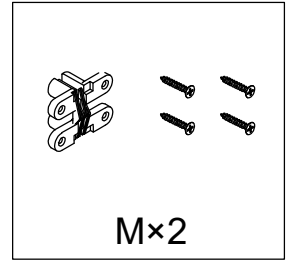


Step 12



Need a duo

Step 13



Step 14

