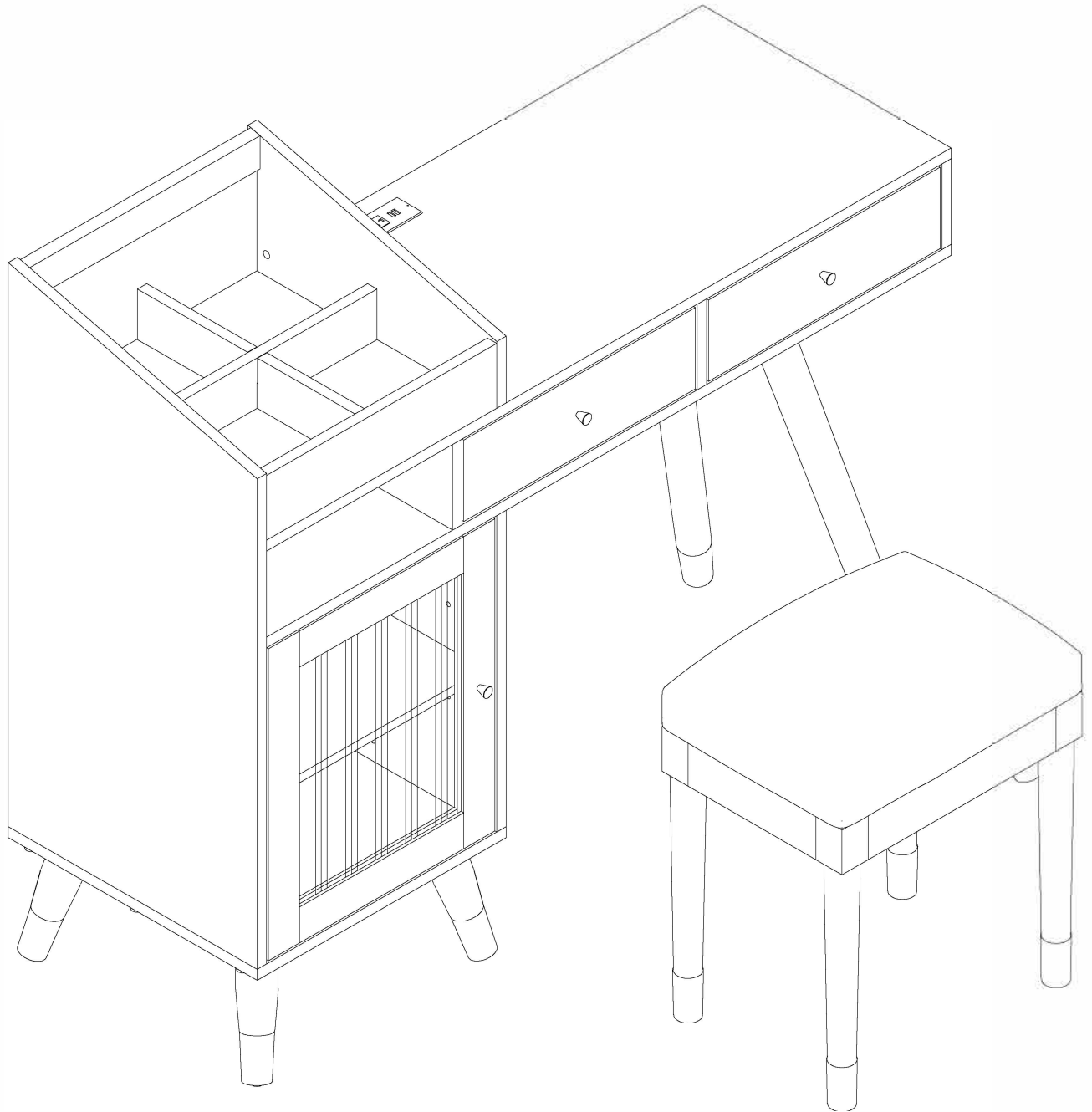


# TABLE SET

Assembly Instructions - Please keep for future reference



**Important - Please read these instructions fully before starting assembly**



# Safety and Care Advise

## Important - Please read these instructions fully before starting assembly

Check you have all the components and tools listed on the following pages.

Remove all fittings from the plastic bags and separate them into their groups.

Keep children and animals away from the work area, small parts could choke if swallowed.

Make sure you have enough space to layout the parts before starting.

During assembly do not stand or put weight on the product. this could cause damage.

Assemble the item as close to its final position (in the same room) as possible.

Assemble on a soft level surface to avoid damaging the unit or your floor.

Parts of the assembly will be easier with 2 people.

To reduce the likelihood of damaging your product please ensure that your power drill is set on a low torque setting.



## Care and maintenance

Only clean using a damp cloth and mild detergent, do not use bleach or abrasive cleaners.

From time to time check that there are no loose screws on this unit.

This product should not be discarded with household waste. Take to your local authority waste disposal centre.

## Handly Hints

Assemble all parts and bolts loosely during assembly, only once the product is complete should you fully tighten the bolts.

Regularly check and ensure that all bolts and fittings are tightened properly.

## WARNING

**In order to help prevent overturning - please follow these instructions**

To help prevent product toppling over please follow the below steps:

Use the anti tip strap or wall fixing method provided (if applicable)

Do not allow children to climb or hang on the furniture

Do not open more than one drawer at a time

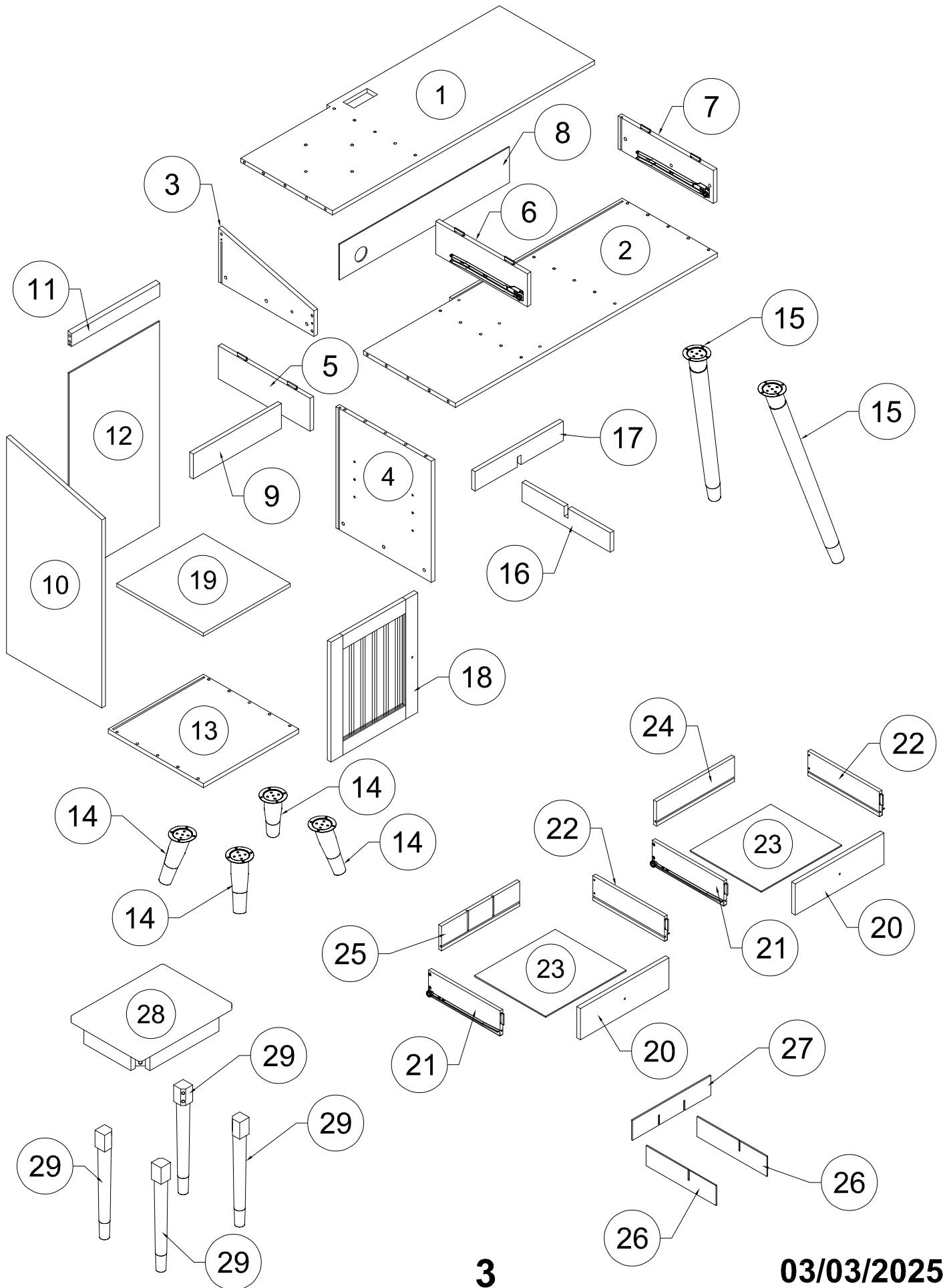
Do not place heavy items in the top drawers

Do not place heavy items on top of the furniture, unless the furniture has been designed for this purpose

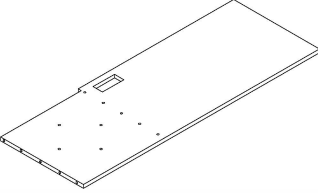
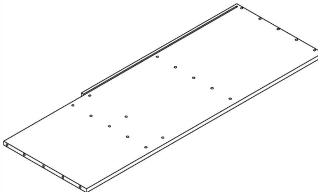
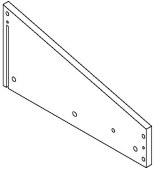
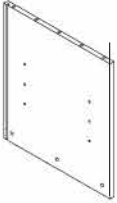

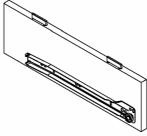

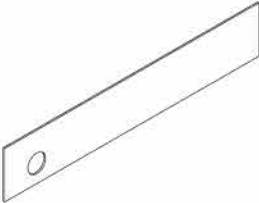
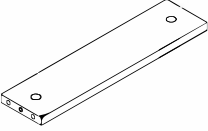
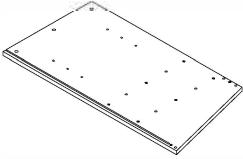
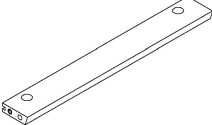
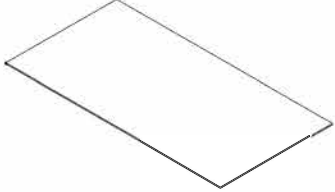
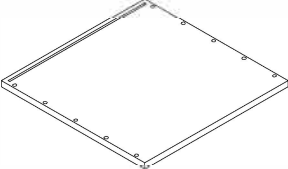
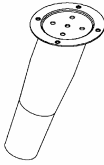
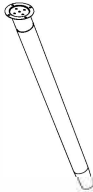
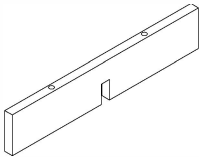
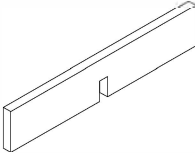
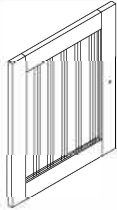
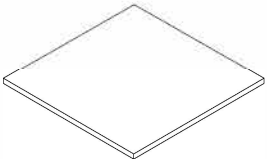
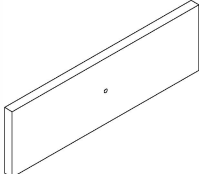
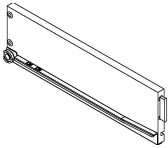
Please note that only the anti tip strap is provided.

You will need to provide wall plugs and screws applicable for your wall type.

# ASSEMBLY INSTRUCTION

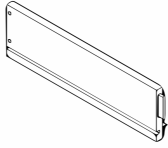


# Part List

<p><b>1</b></p>  <p>Table Top - 1 pc</p>	<p><b>2</b></p>  <p>Table Bottom - 1 pc</p>	<p><b>3</b></p>  <p>Standing Divider Tabletop - 1 pc</p>
<p><b>4</b></p>  <p>Center Panel - 1 pc</p>	<p><b>5</b></p>  <p>Left Partition - 1 pc</p>	<p><b>6</b></p>  <p>Center Partition - 1 pc</p>
<p><b>7</b></p>  <p>Right Partition - 1 pc</p>	<p><b>8</b></p>  <p>Right Back Panel - 1 pc</p>	<p><b>9</b></p>  <p>Left Front Panel - 1 pc</p>
<p><b>10</b></p>  <p>Left Side Panel - 1 pc</p>	<p><b>11</b></p>  <p>Left Back Panel - 1 pc</p>	<p><b>12</b></p>  <p>Left Back Panel - 1 pc</p>
<p><b>13</b></p>  <p>Bottom Panel - 1 pc</p>	<p><b>14</b></p>  <p>Table Legs - 4 pcs</p>	<p><b>15</b></p>  <p>Table Legs - 2 pcs</p>
<p><b>16</b></p>  <p>Under Divider - 1 pc</p>	<p><b>17</b></p>  <p>Upper Divider - 1 pc</p>	<p><b>18</b></p>  <p>Left Side Door - 1 pc</p>
<p><b>19</b></p>  <p>Adjustable Shelf - 1 pc</p>	<p><b>20</b></p>  <p>Drawer - Front Panels - 2 pcs</p>	<p><b>21</b></p>  <p>Drawer - Left Side Panels - 2 pcs</p>

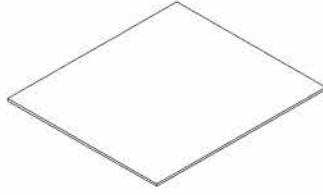
# Part List

22



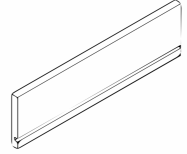
Drawer - Right Side Panels - 2 pcs

23



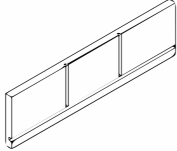
Drawer - Bottom Panels - 2 pcs

24



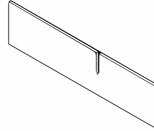
Drawer - Back Panels - 1 pc

25



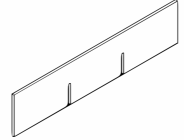
Drawer - Back Panels - 1 pc

26



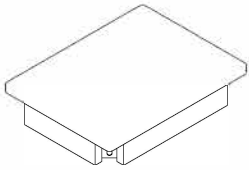
Drawer - Under Divider - 2 pcs

27



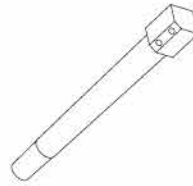
Drawer - Upper Divider - 1 pc

28



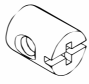
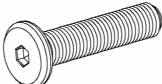
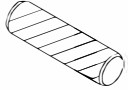






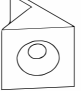
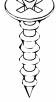
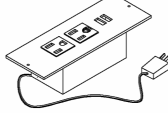
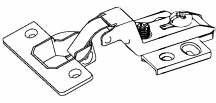
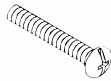





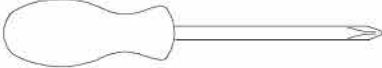
Cushions - 1 pc

29

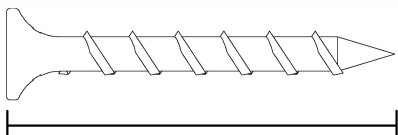
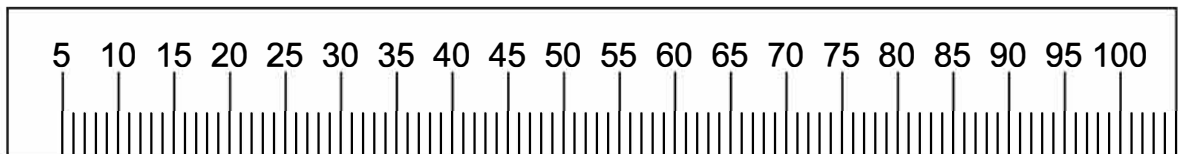


Chair Legs - 4 pcs

# Hardware List

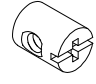
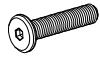
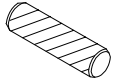
<p><b>A</b></p>  <p>1/4" x 12mm Horizontal -Hole bolts 21 pcs</p>	<p><b>B</b></p>  <p>1/4" x 50mm Hex-Head bolts 12 pcs</p>	<p><b>C</b></p>  <p>Ø8 x 30 mm Wood dowel 28 pcs</p>
<p><b>D</b></p>  <p>Allen Key 1 pc</p>	<p><b>E</b></p>  <p>1/4" x 80mm Hex-Head bolts 9 pcs</p>	<p><b>F</b></p>  <p>Cam Bolt 10 pcs</p>
<p><b>G</b></p>  <p>Cam Lock 12mm 10 pcs</p>	<p><b>H</b></p>  <p>Magnets 1 set</p>	<p><b>I</b></p>  <p>M3.5 x 15 mm Wood Screws 46 pcs</p>
<p><b>J</b></p>  <p>Plastic Wedges 12 pcs</p>	<p><b>K</b></p>  <p>M3 x 12 mm Wood Screws 6 pcs</p>	<p><b>L</b></p>  <p>USB Power Outlet 1 pc (2700mm)</p>
<p><b>M</b></p>  <p>Hinge - 2 pcs</p>	<p><b>N</b></p>  <p>5/32" x 22 mm Truss Head Screw 3 pcs</p>	<p><b>O</b></p>  <p>Handles 3 pcs</p>
<p><b>P</b></p>  <p>Shelf Pin 9mm 4 pcs</p>	<p><b>Q</b></p>  <p>M4 x 30 mm Wood Screws 8 pcs</p>	<p><b>R</b></p>  <p>1/4" x 30mm Hex-Head bolts 8 pcs</p>
<p><b>S</b></p>  <p>Antifall 2 set</p>	<p><b>Assembly Tools Required (Not Included)</b></p> 	

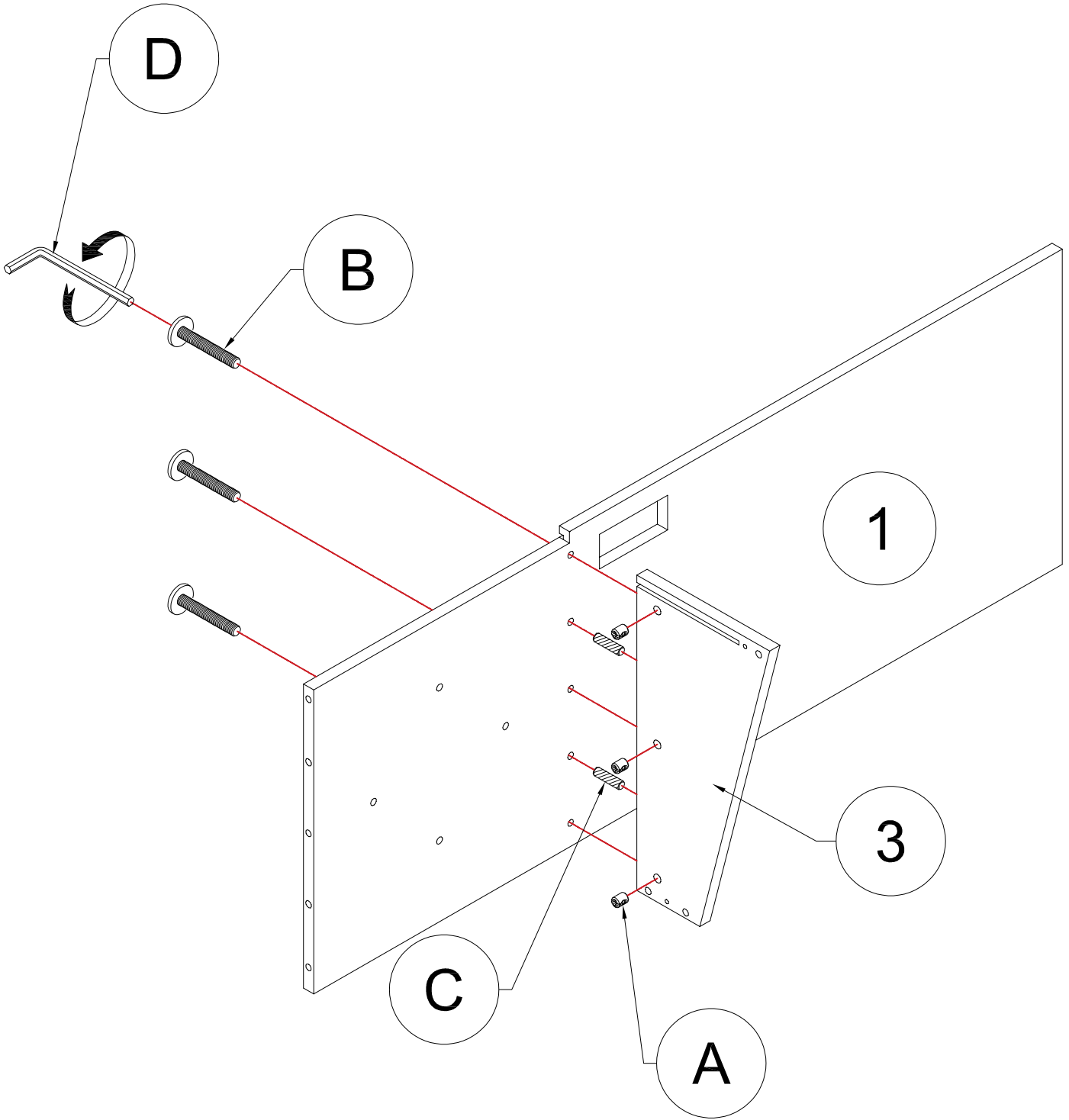
Use this ruler to help correctly identify the screws



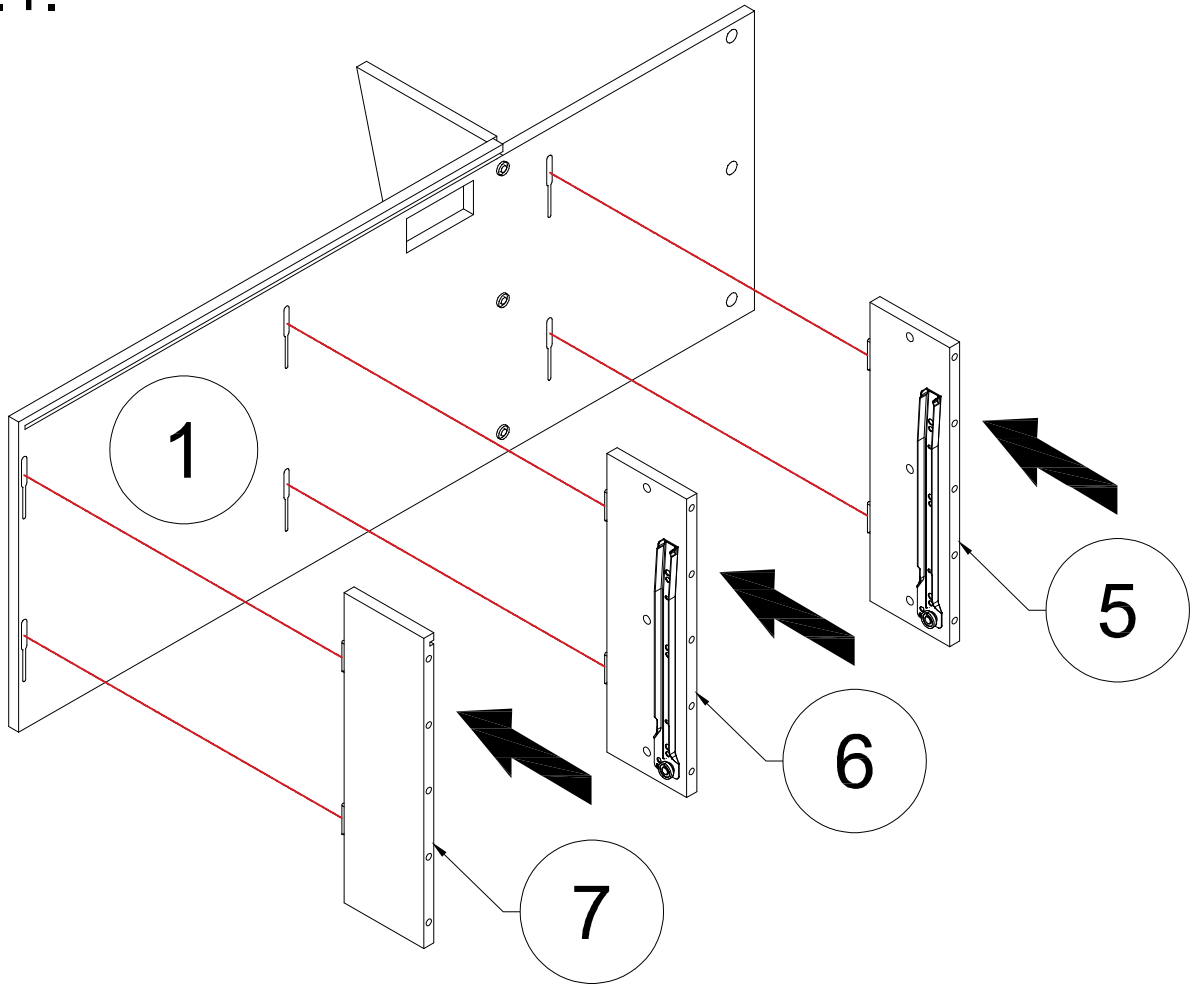
The screws length is measured from the head to the point (35mm screw shown)

# Step 1:

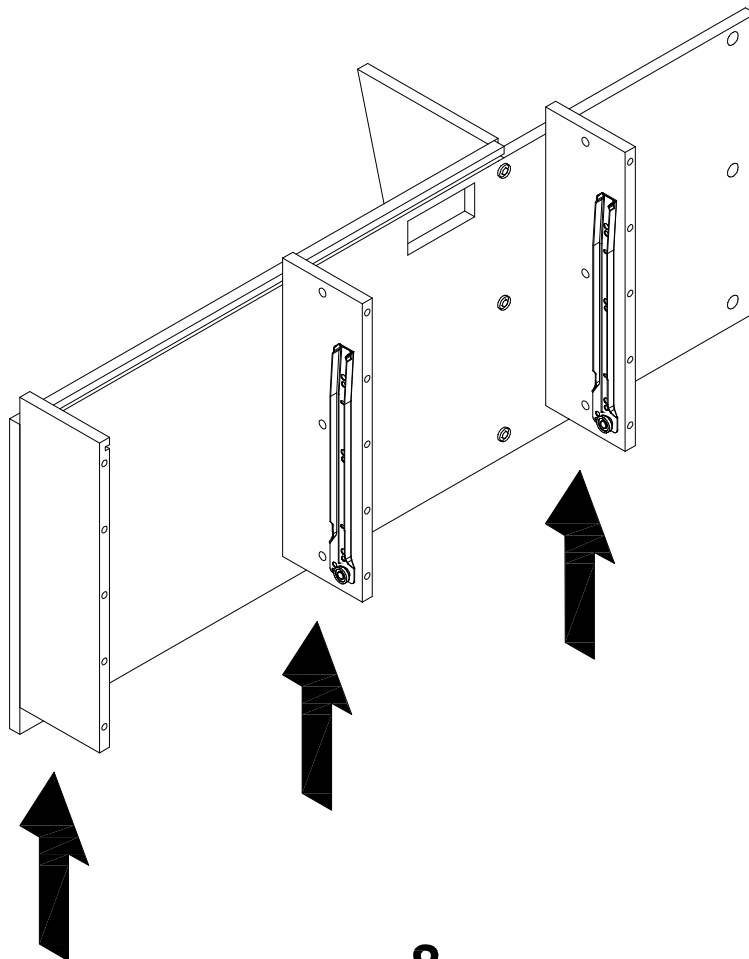
A	B	C
		
3pcs	3pcs	2pcs



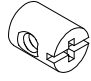
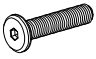
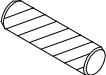
## Step 2.1:

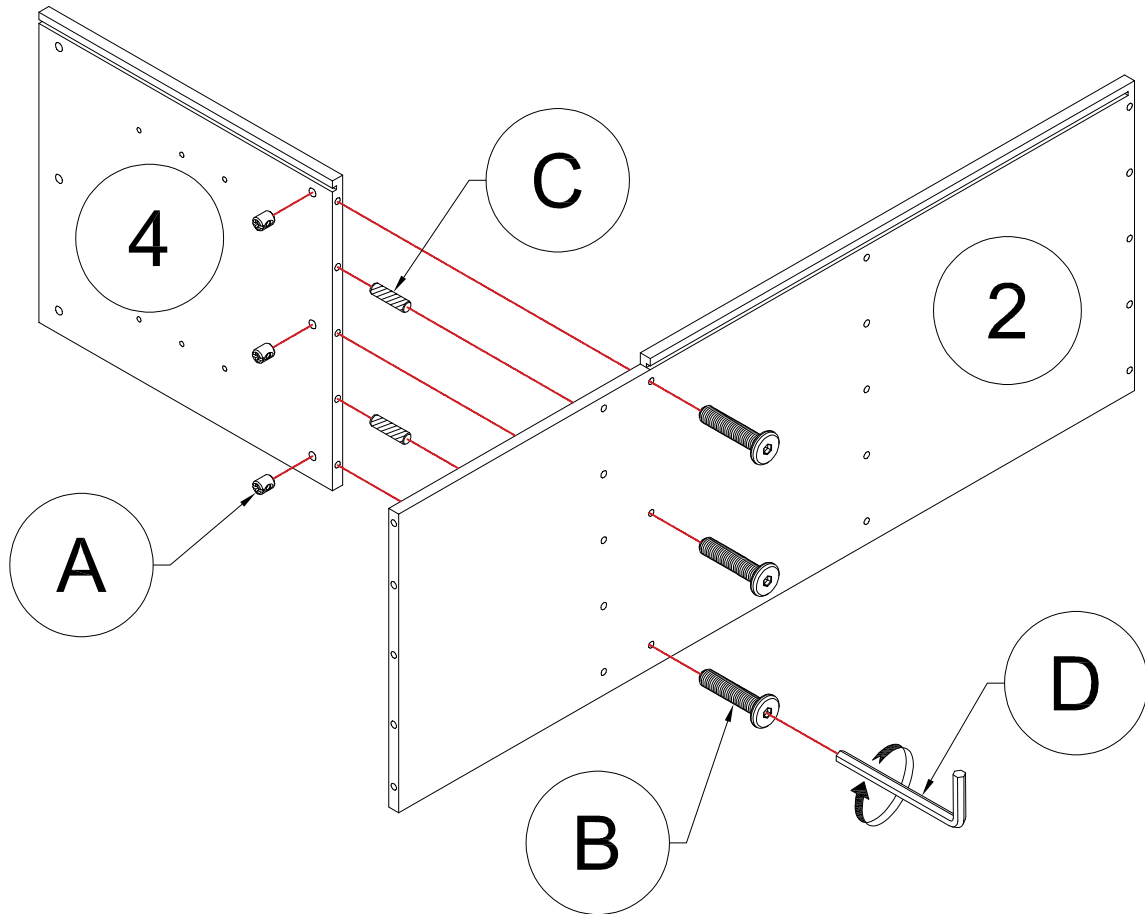


## Step 2.2:

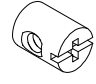
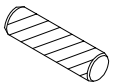
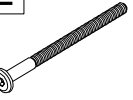


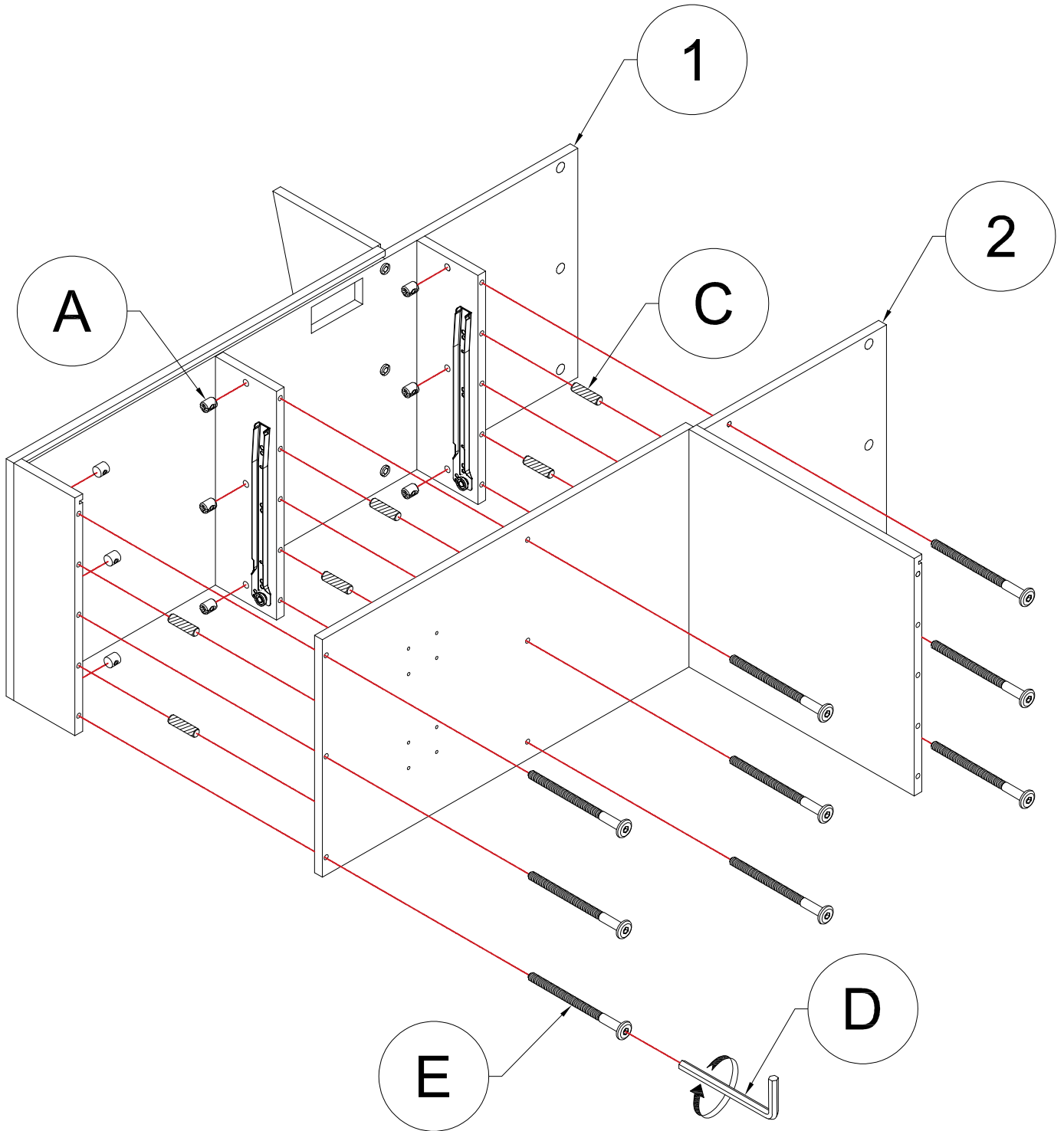
# Step 3:

A 	B 	C 
3pcs	3pcs	2pcs

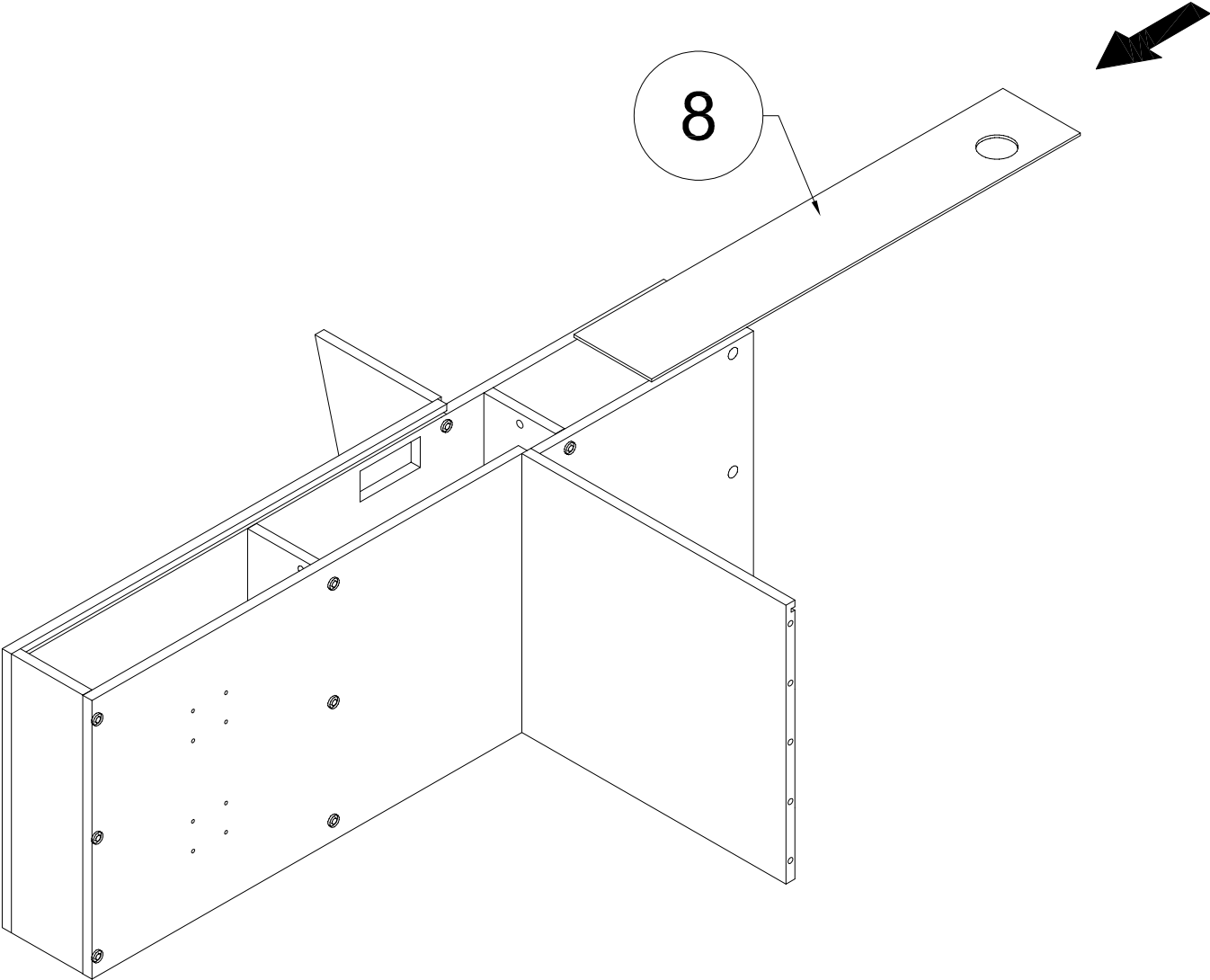


# Step 4:

A 	C 	E 
9pcs	6pcs	9pcs

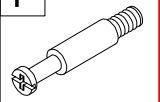


Step 5:

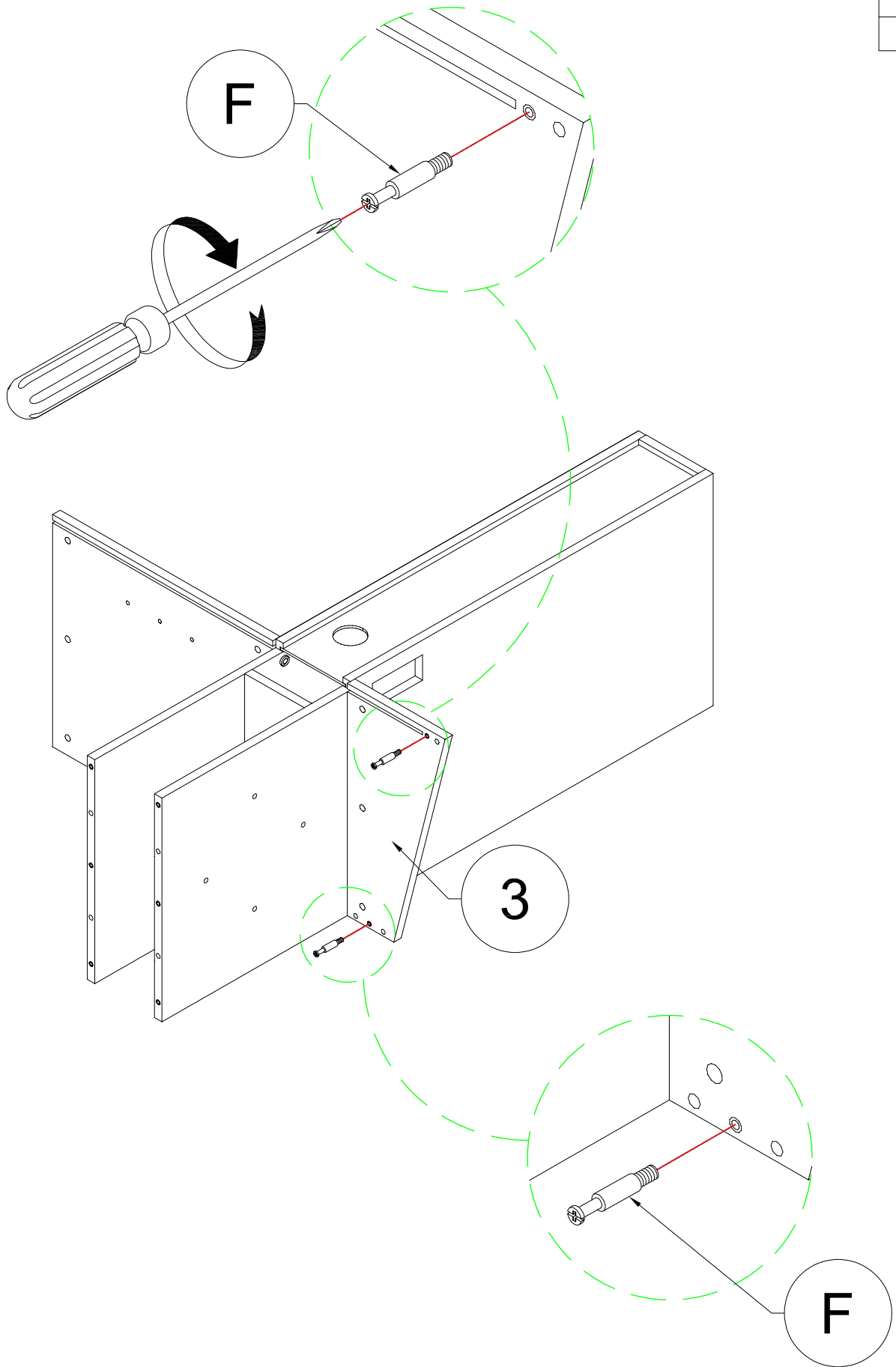


# Step 6:

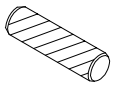

F

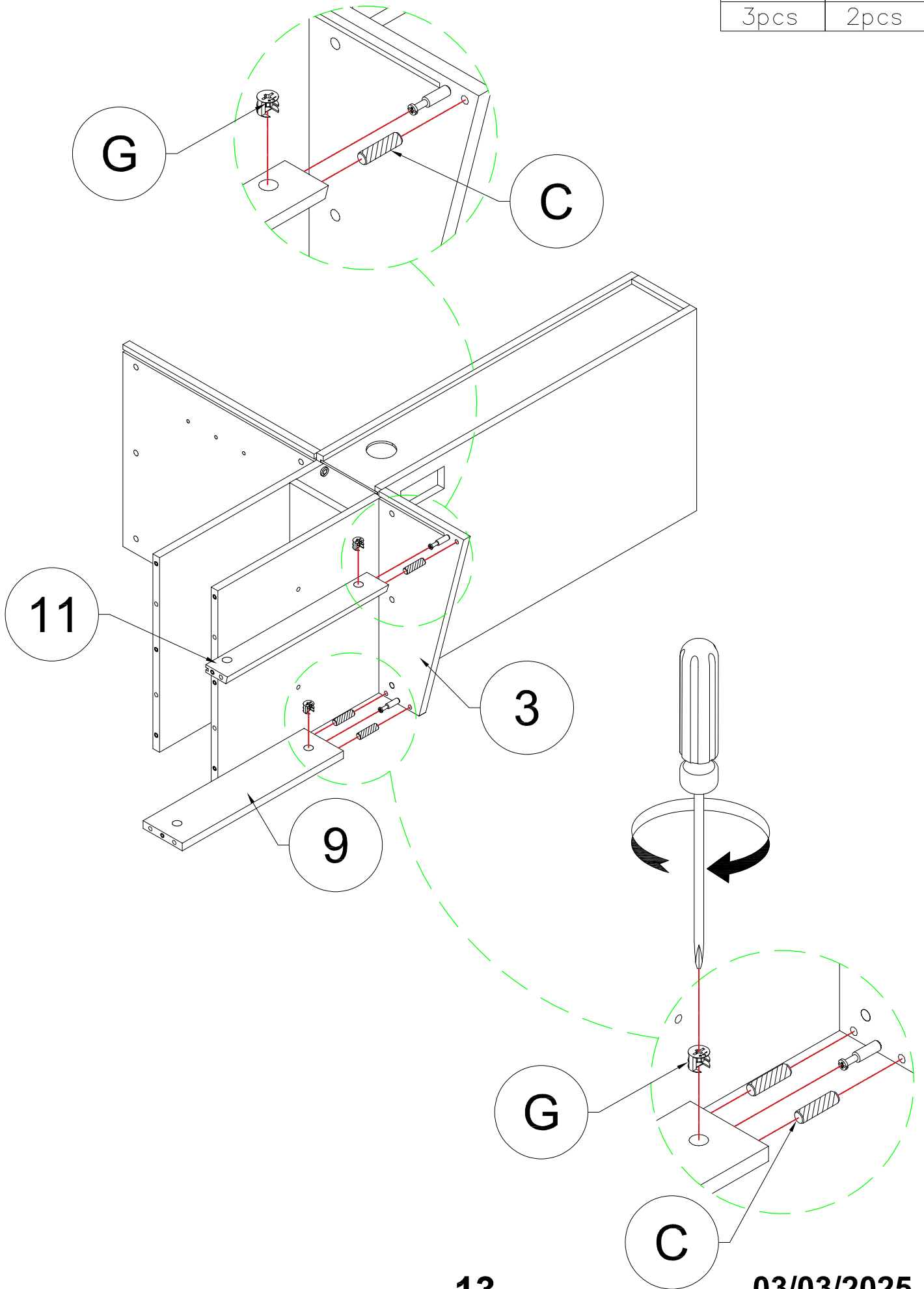


2pcs



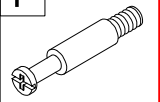
# Step 7:

<b>C</b> 	<b>G</b> 
3pcs	2pcs

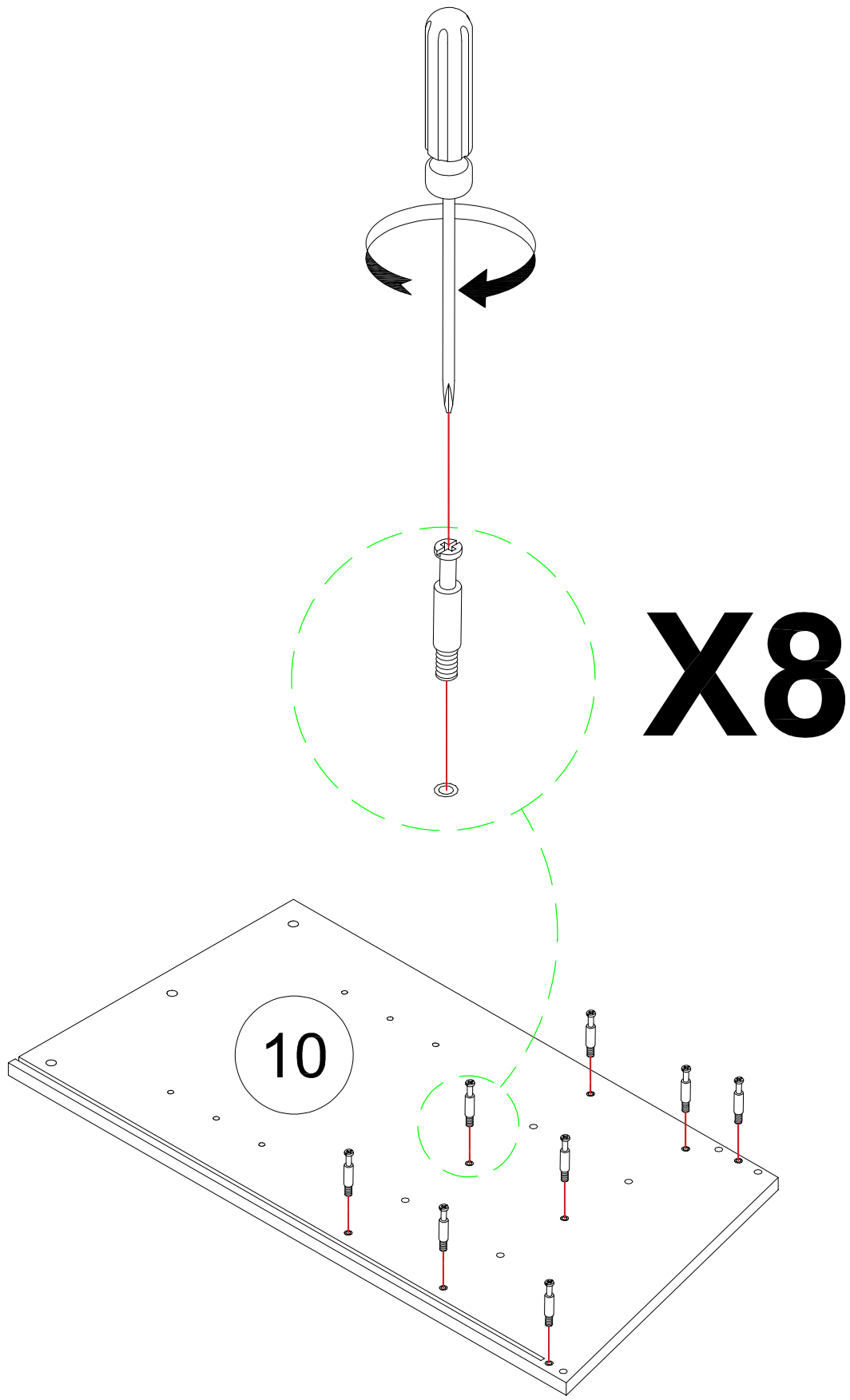


# Step 8:

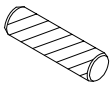

F

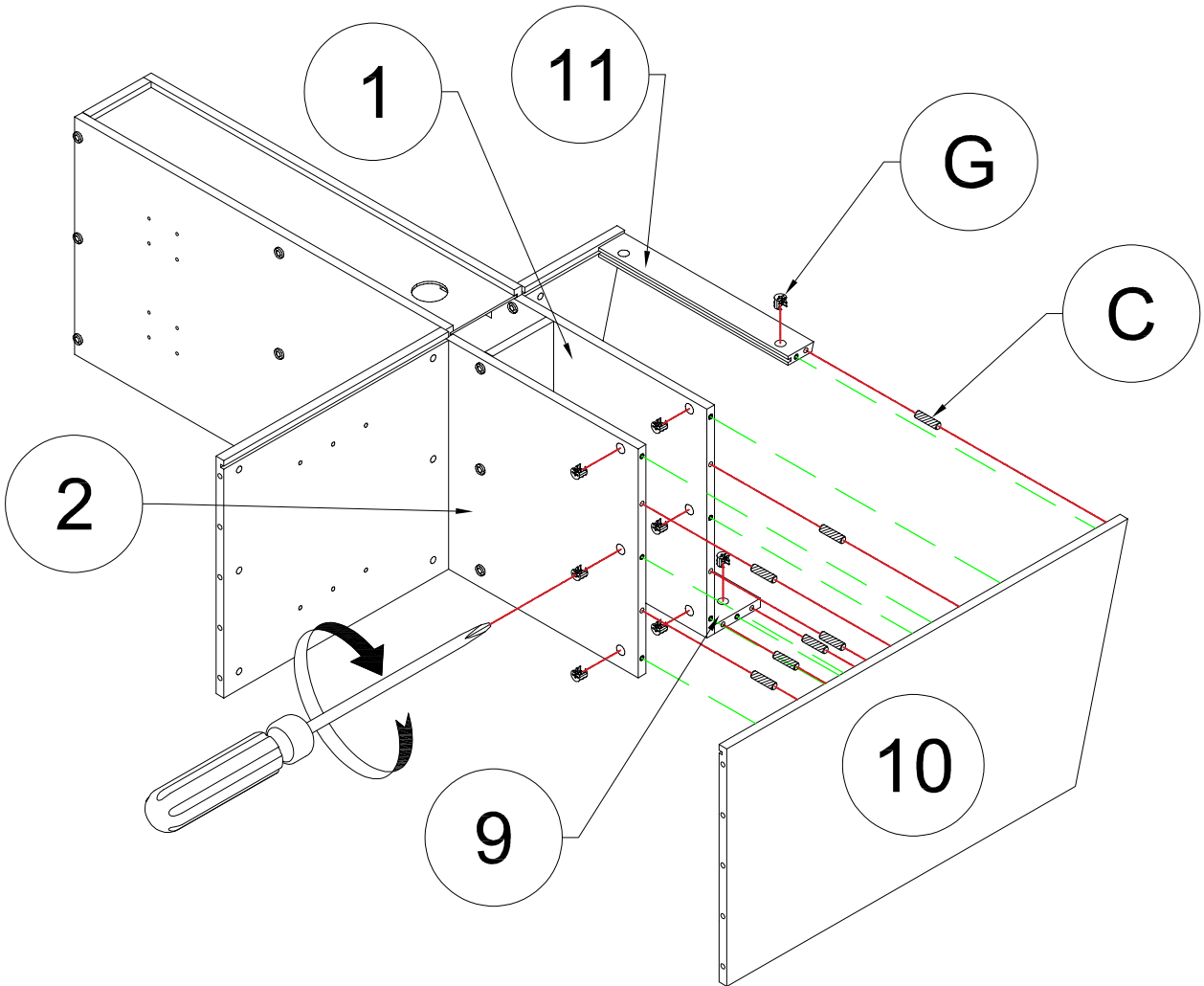
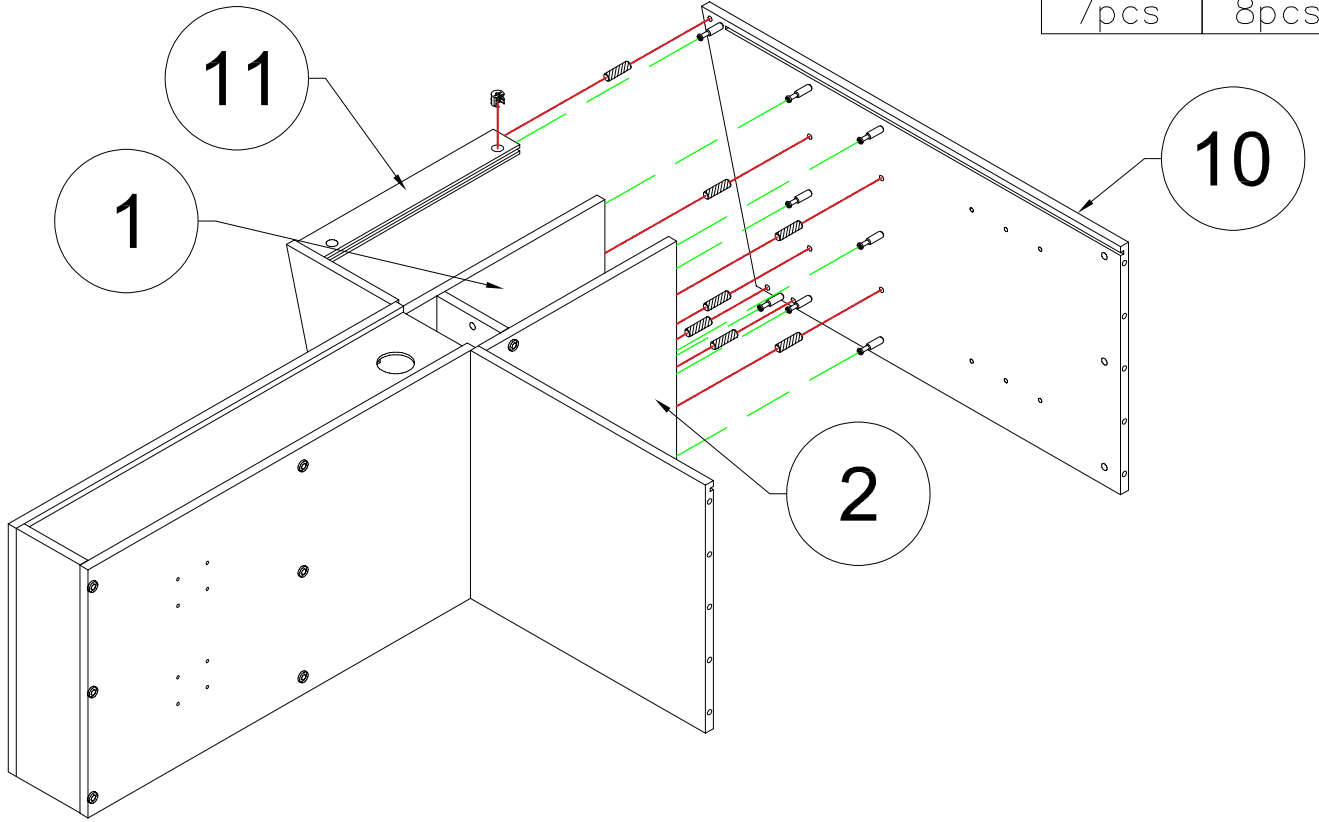


8pcs

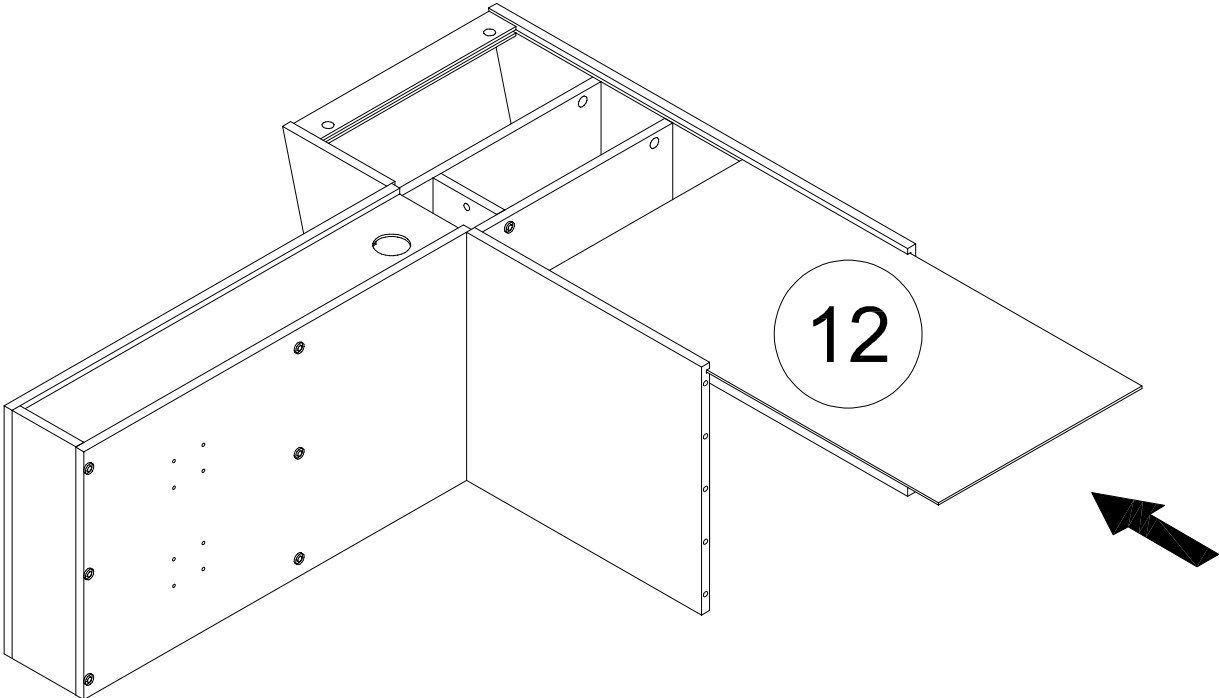


# Step 9:

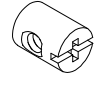
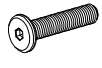
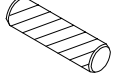
<b>C</b> 	<b>G</b> 
7pcs	8pcs

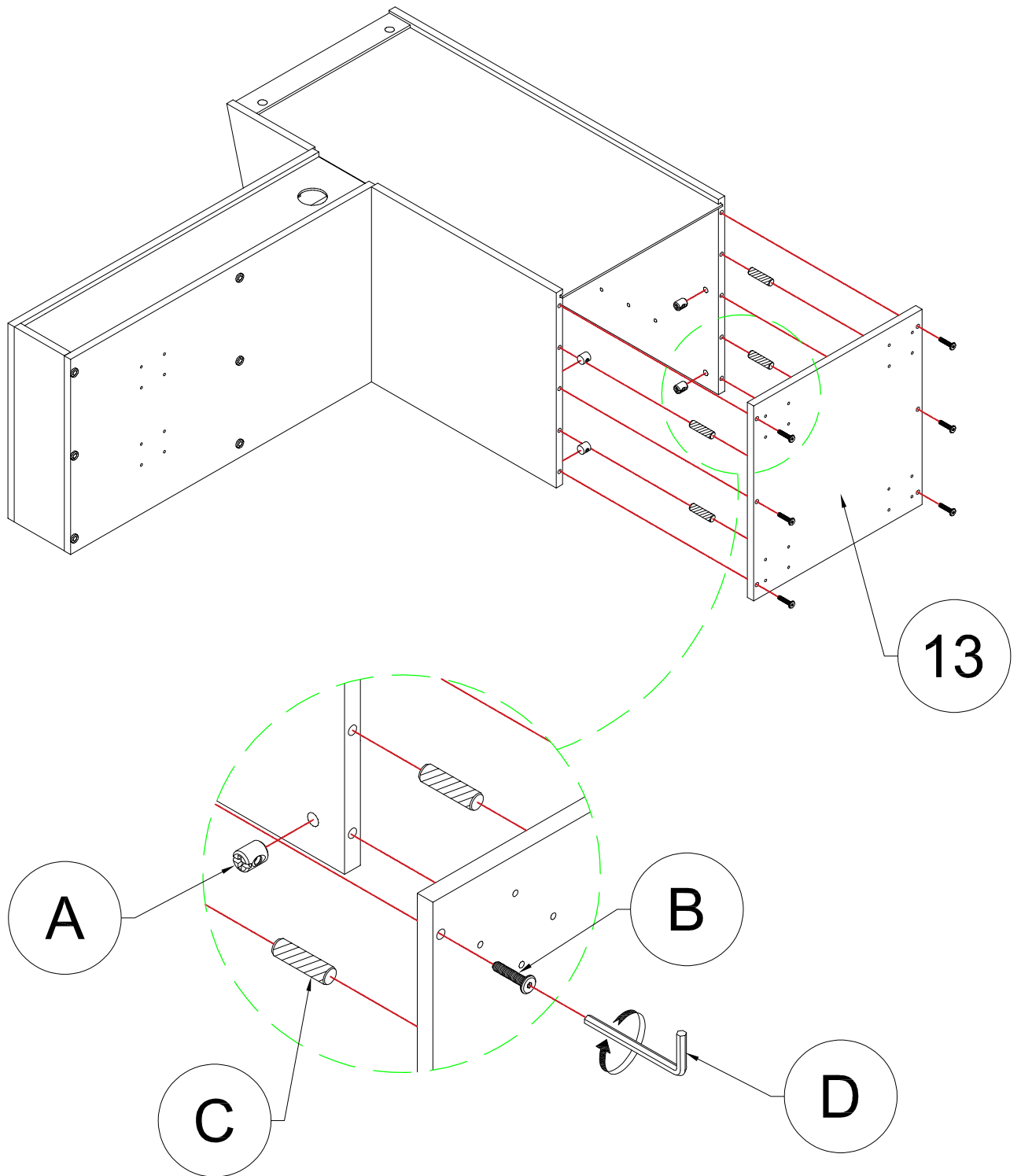


Step 10:

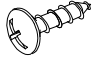
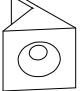


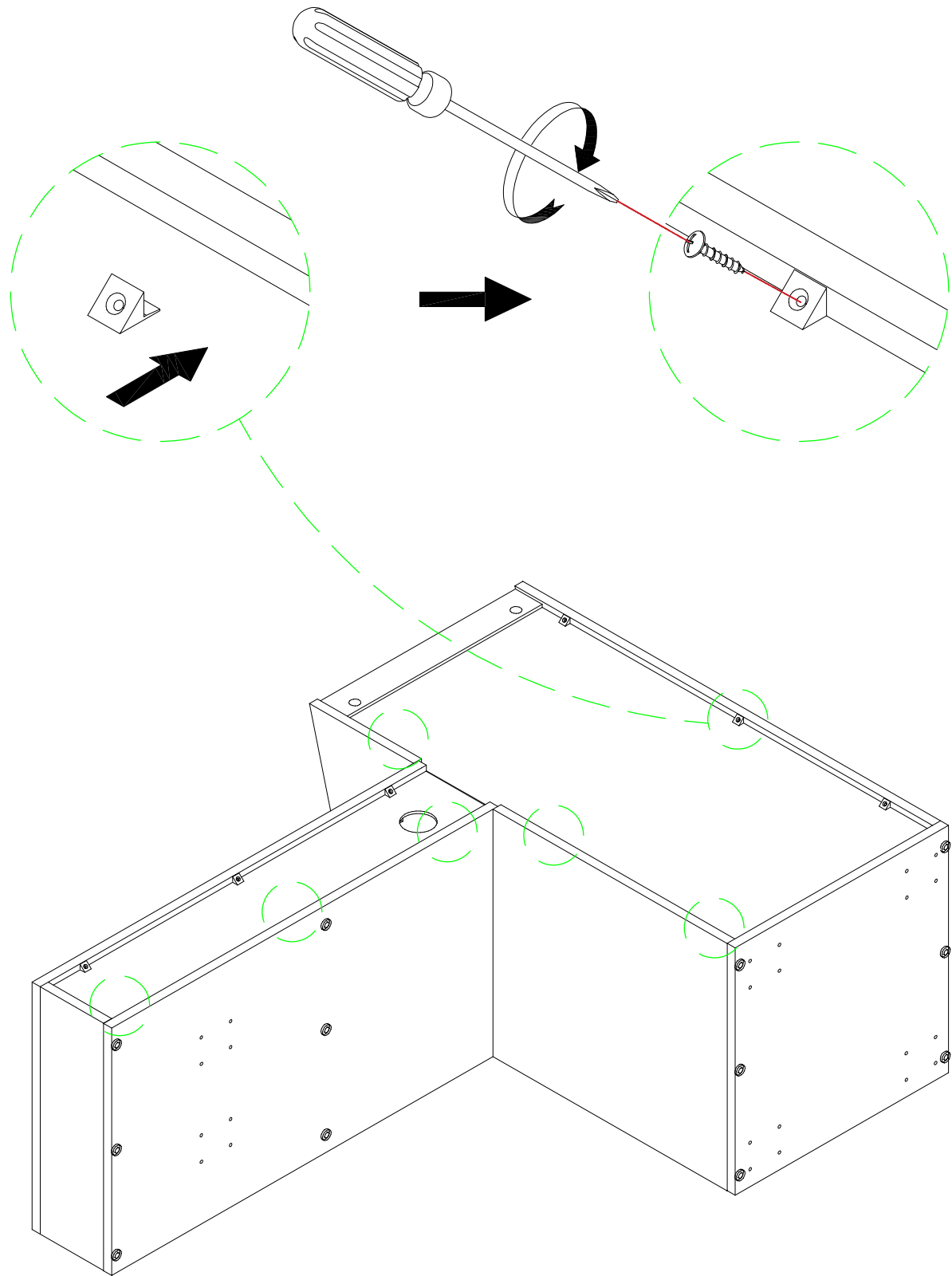
# Step 11:

A	B	C
		
6pcs	6pcs	4pcs

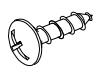


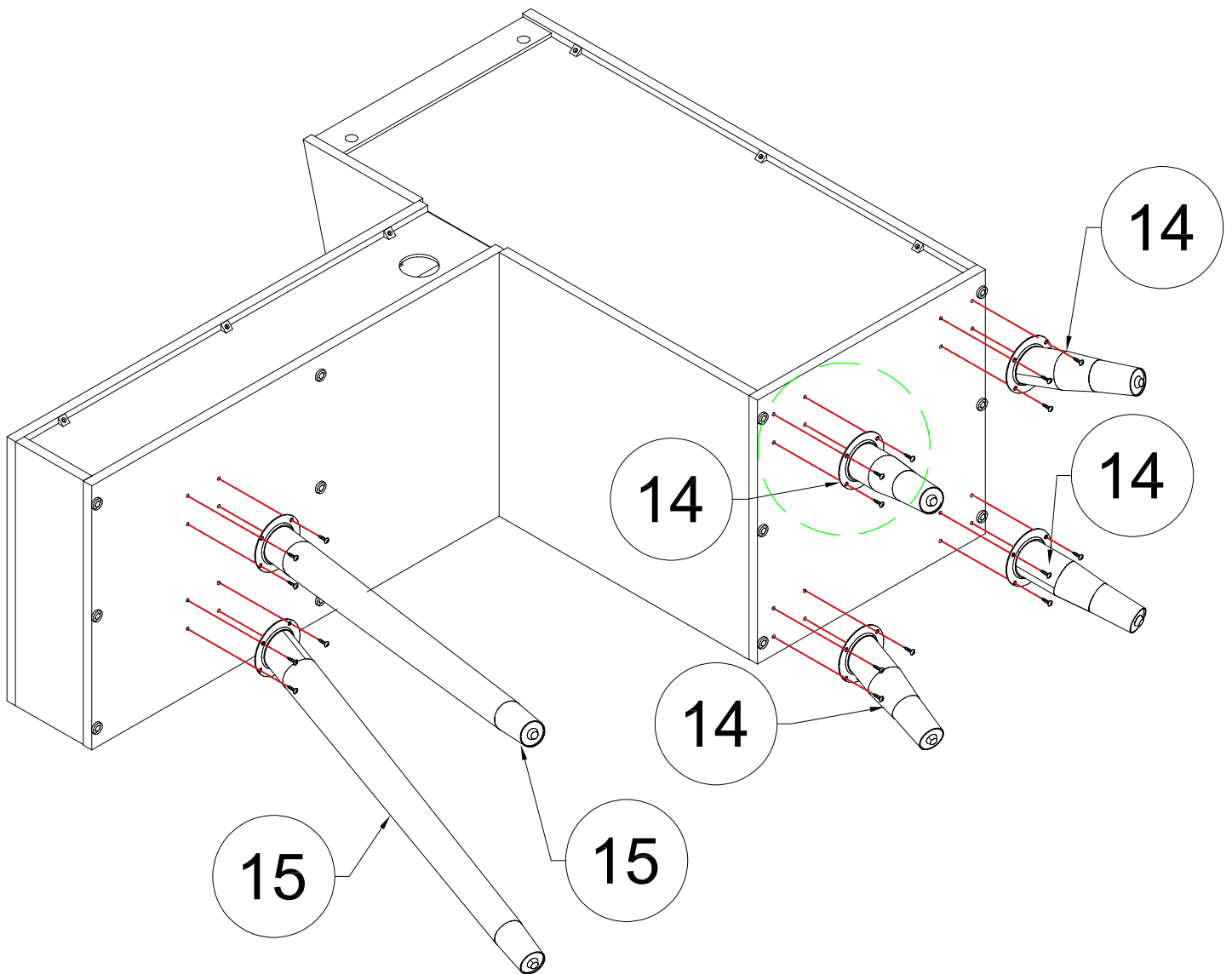
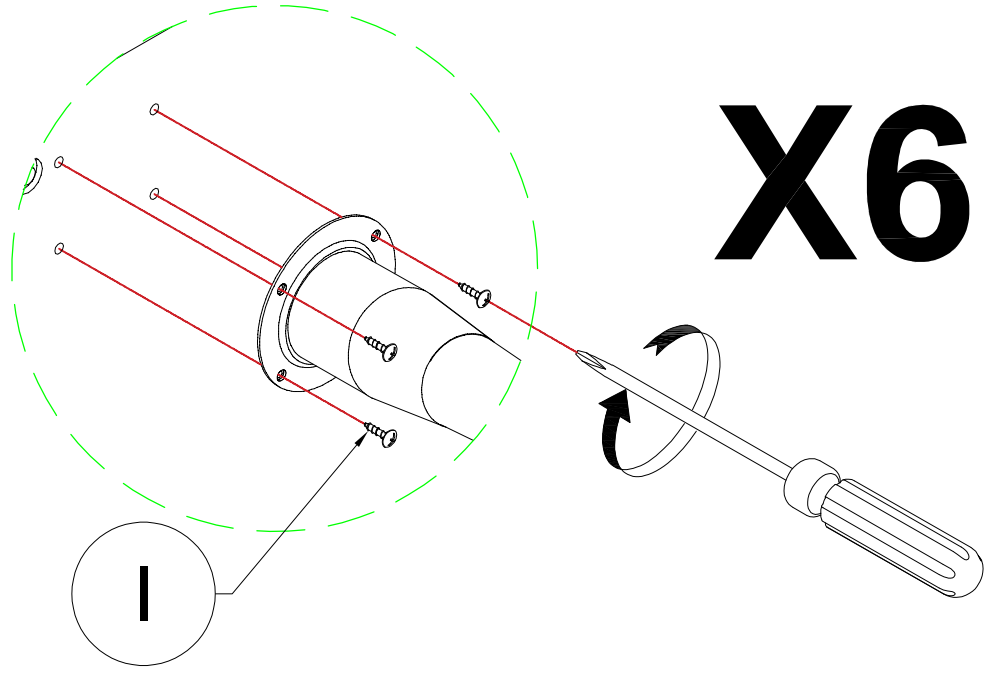
# Step 12:

I	J
	
12pcs	12pcs



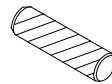
# Step 13:

I

24pcs

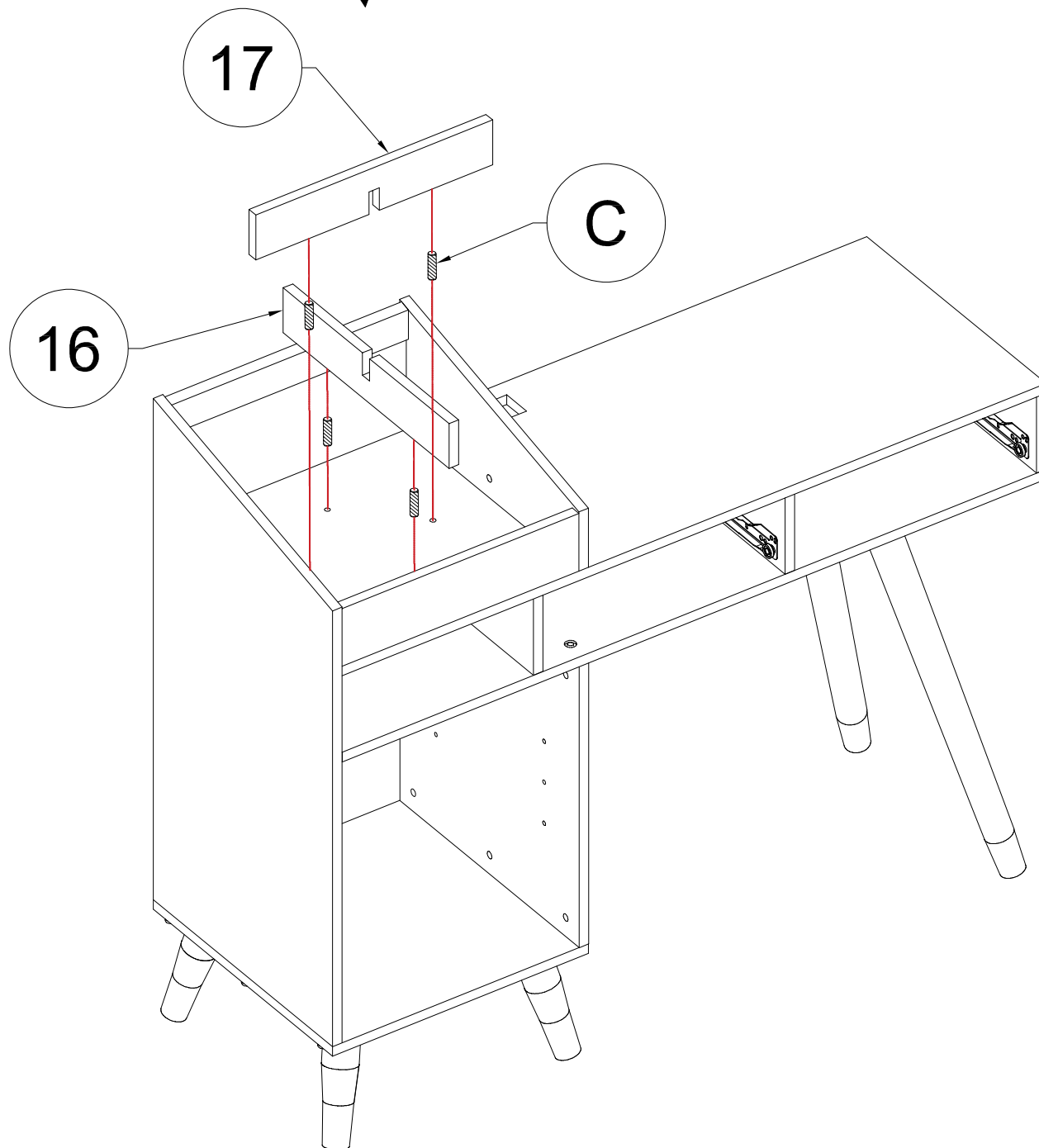


# Step 14:


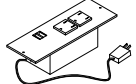
C

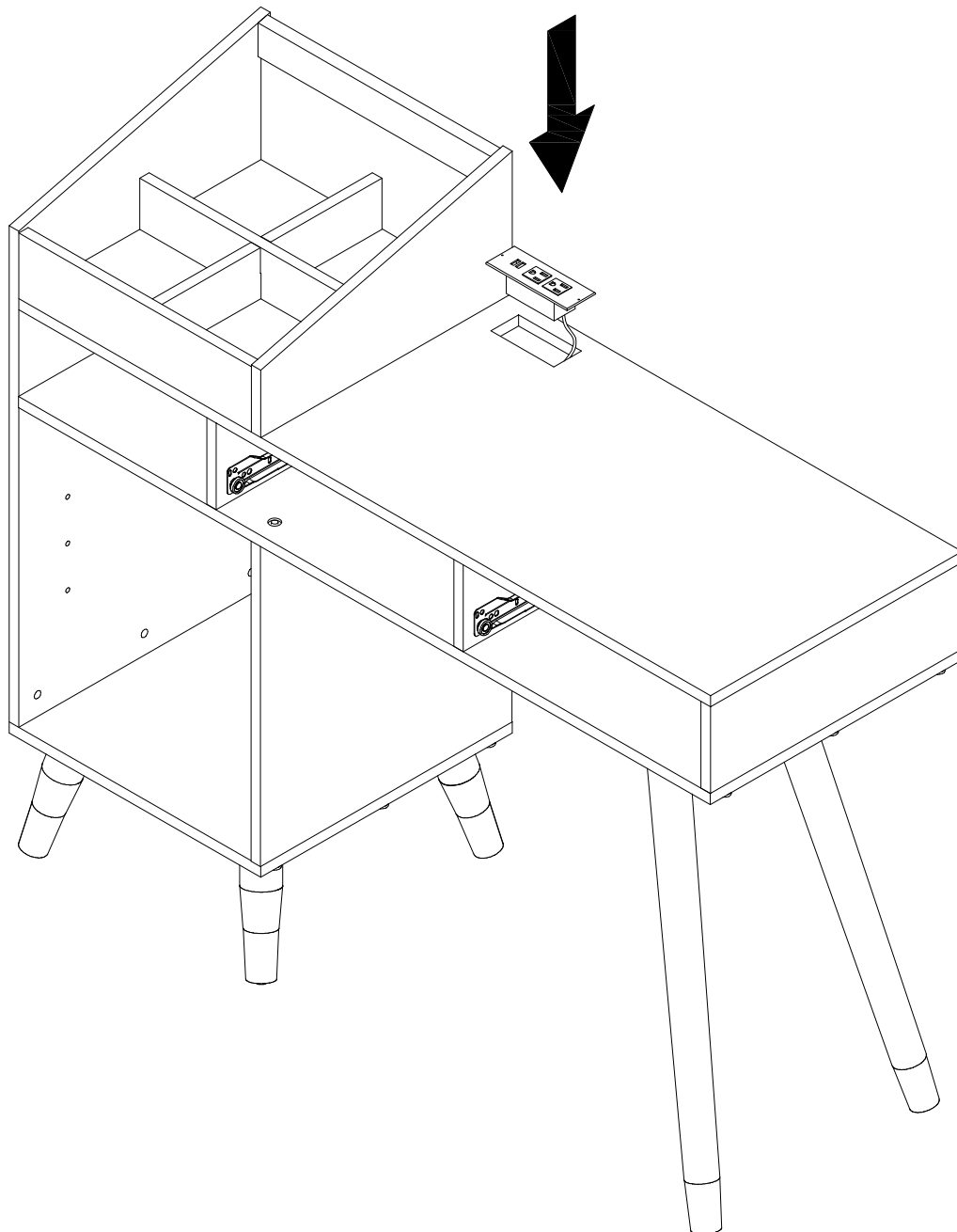
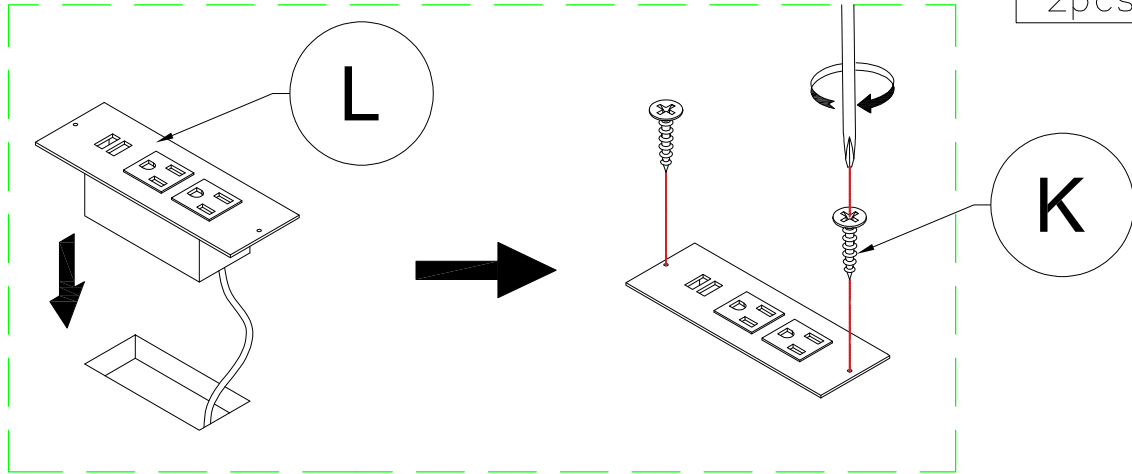


4pcs

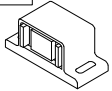



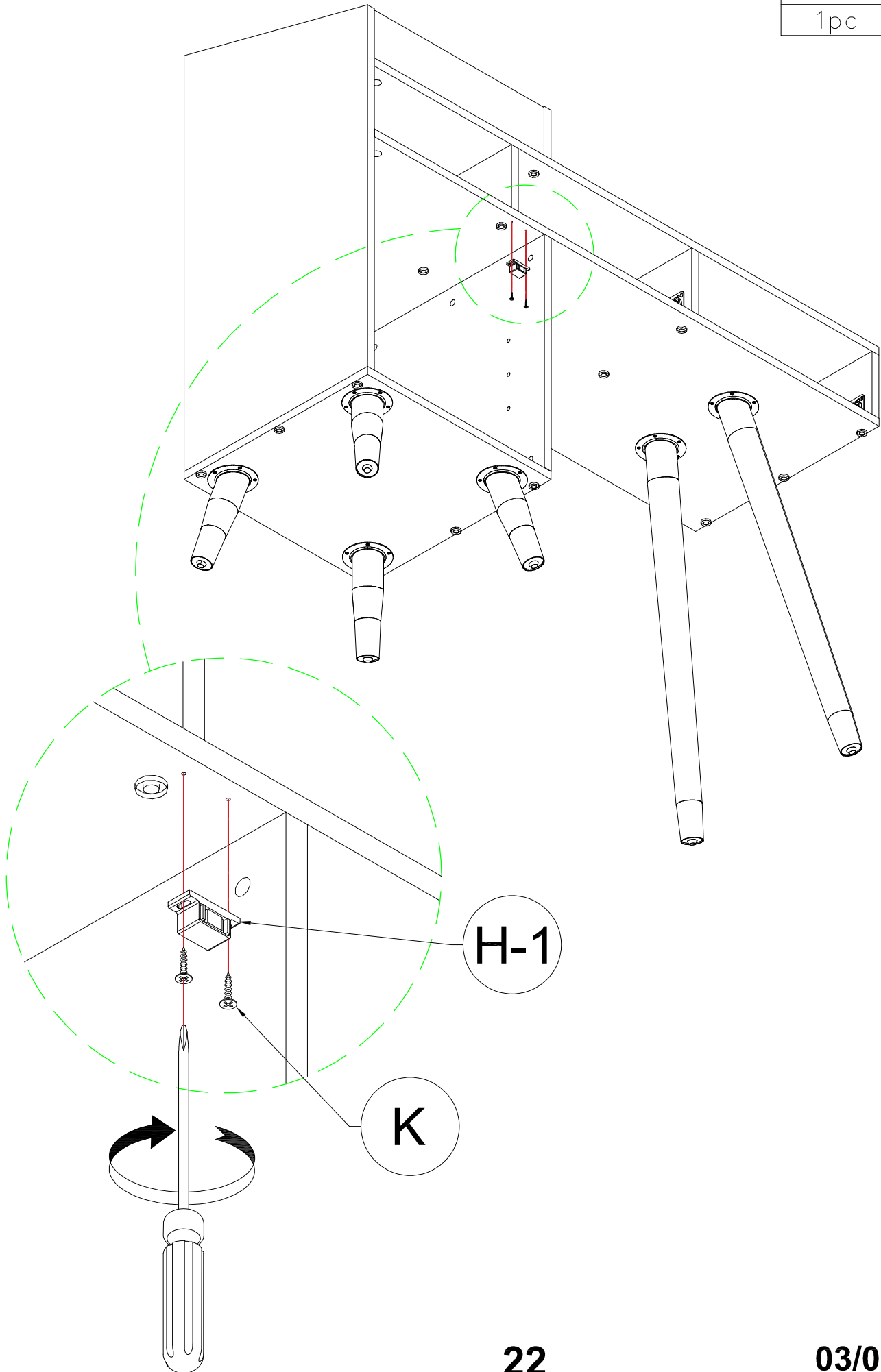
# Step 15:

K	L
	
2pcs	1pc

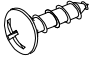

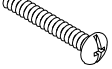



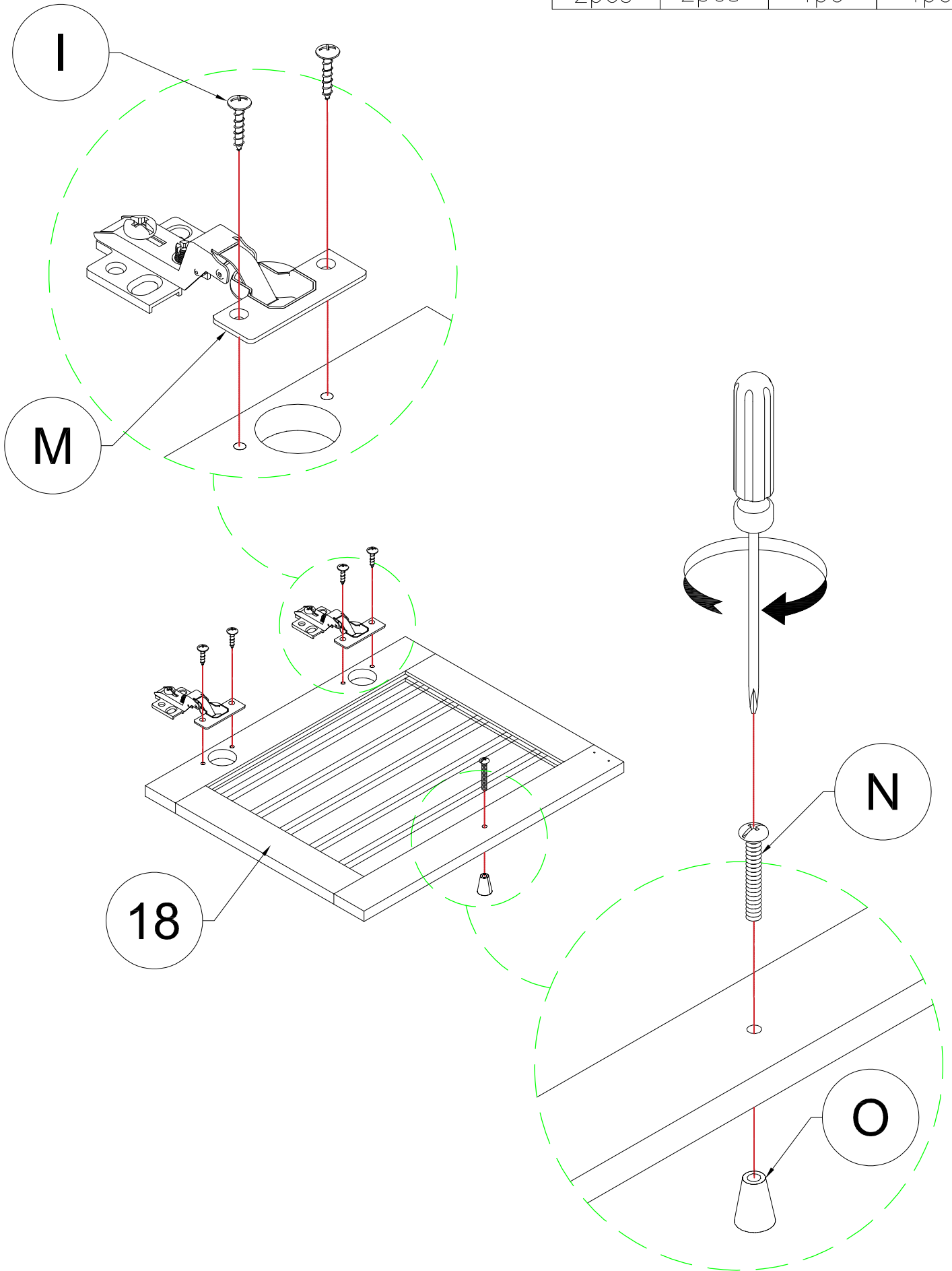
# Step 16:

H-1	K
	
1pc	2pcs



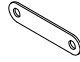
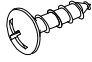

# Step 17:

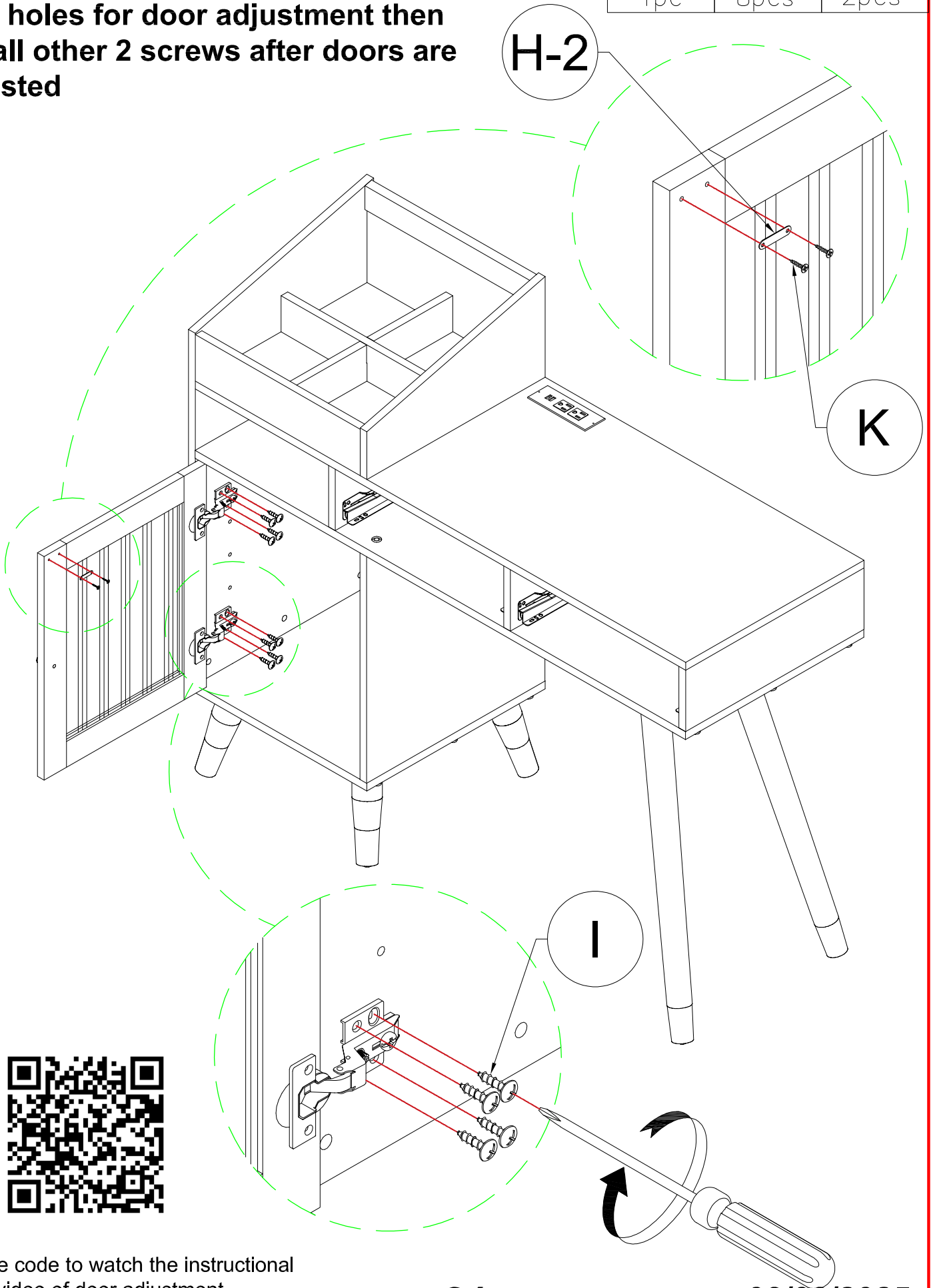
I	M	N	O
			
2pcs	2pcs	1pc	1pc



# Step 18:

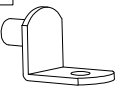
First install hinges with 2 screws in oval holes for door adjustment then install other 2 screws after doors are adjusted

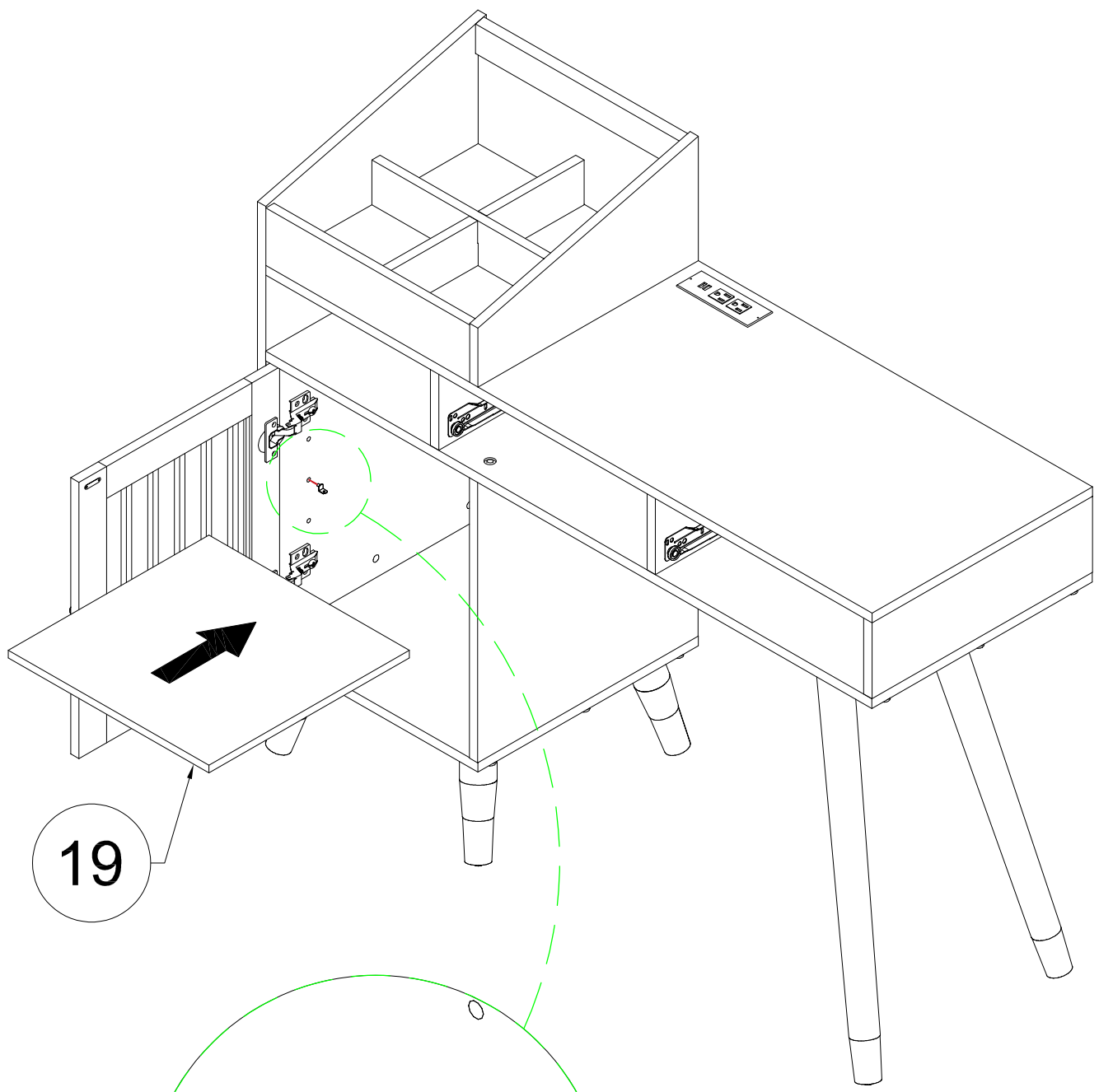
H-2	I	K
		
1pc	8pcs	2pcs



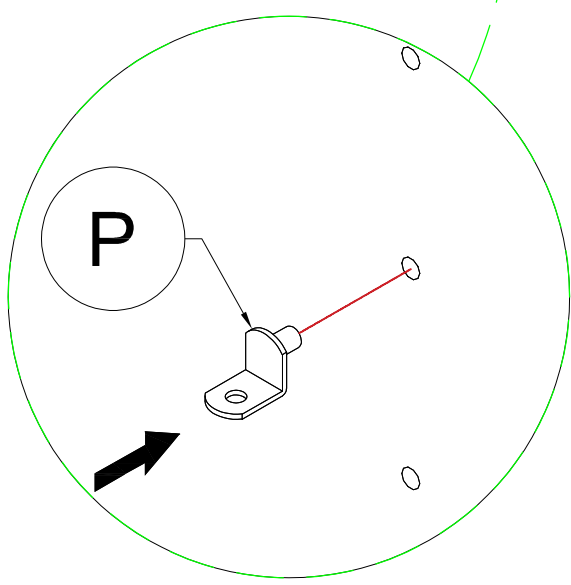
Scan the code to watch the instructional video of door adjustment

# Step 19:

P	
4pcs	

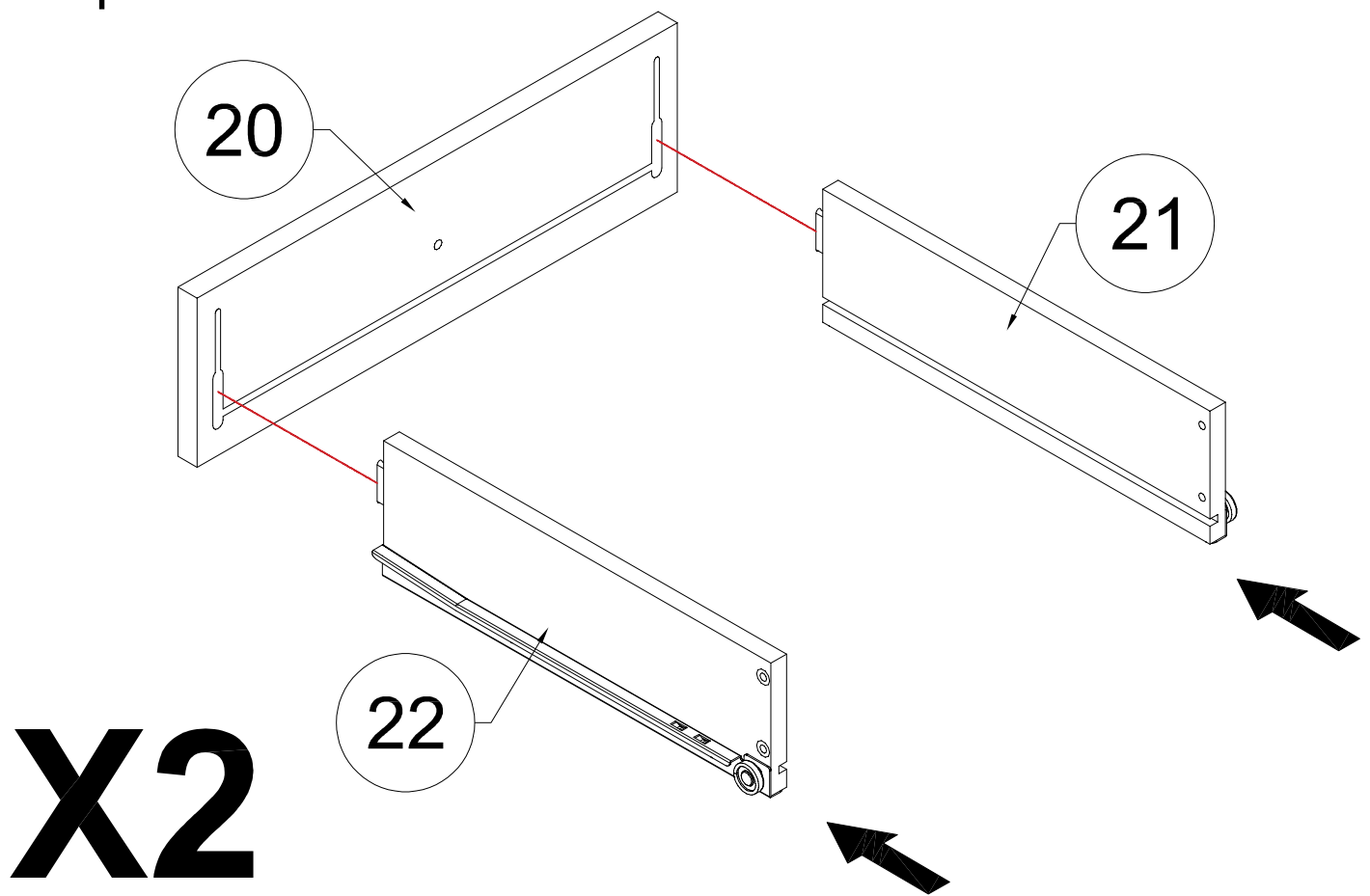


19

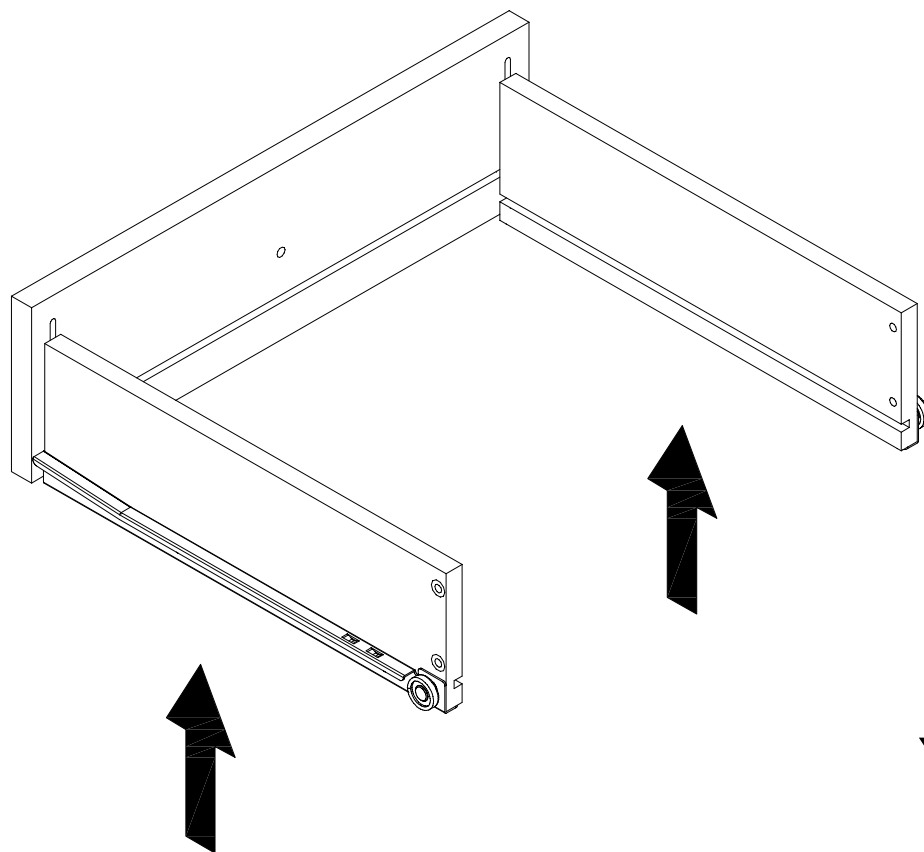


**X4**

## Step 20.1:



## Step 20.2:

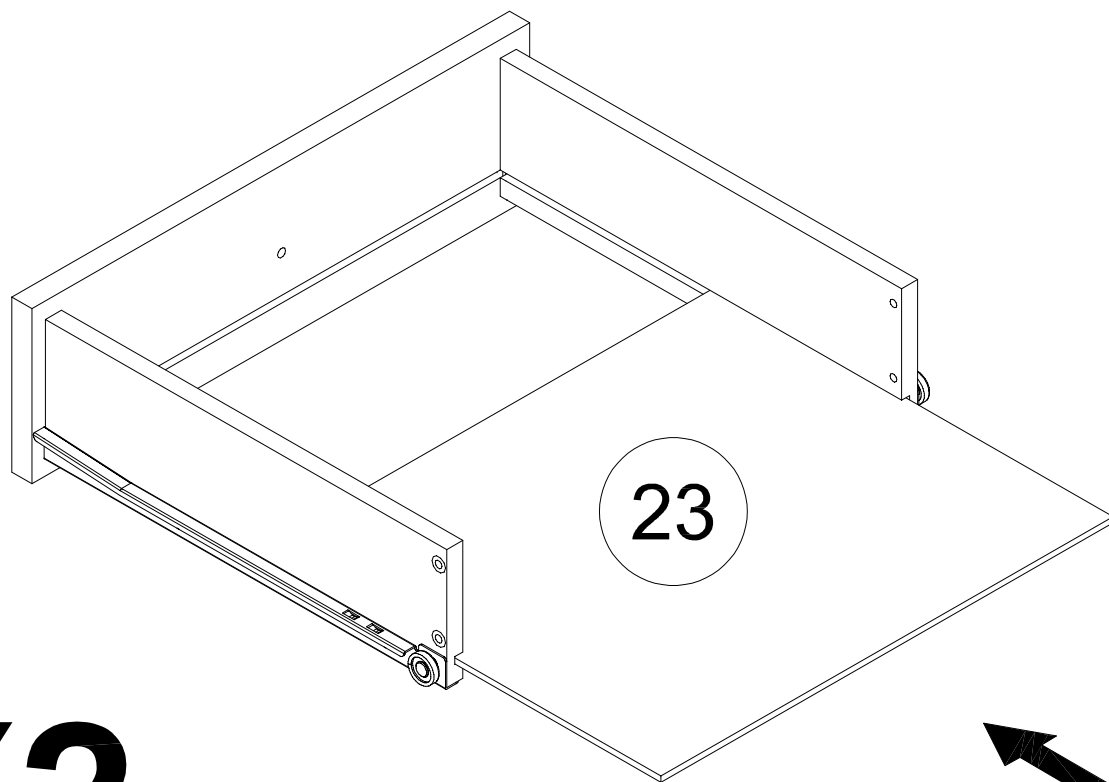


26

**X2**

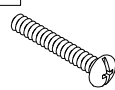
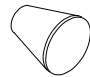
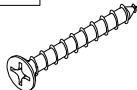
03/03/2025

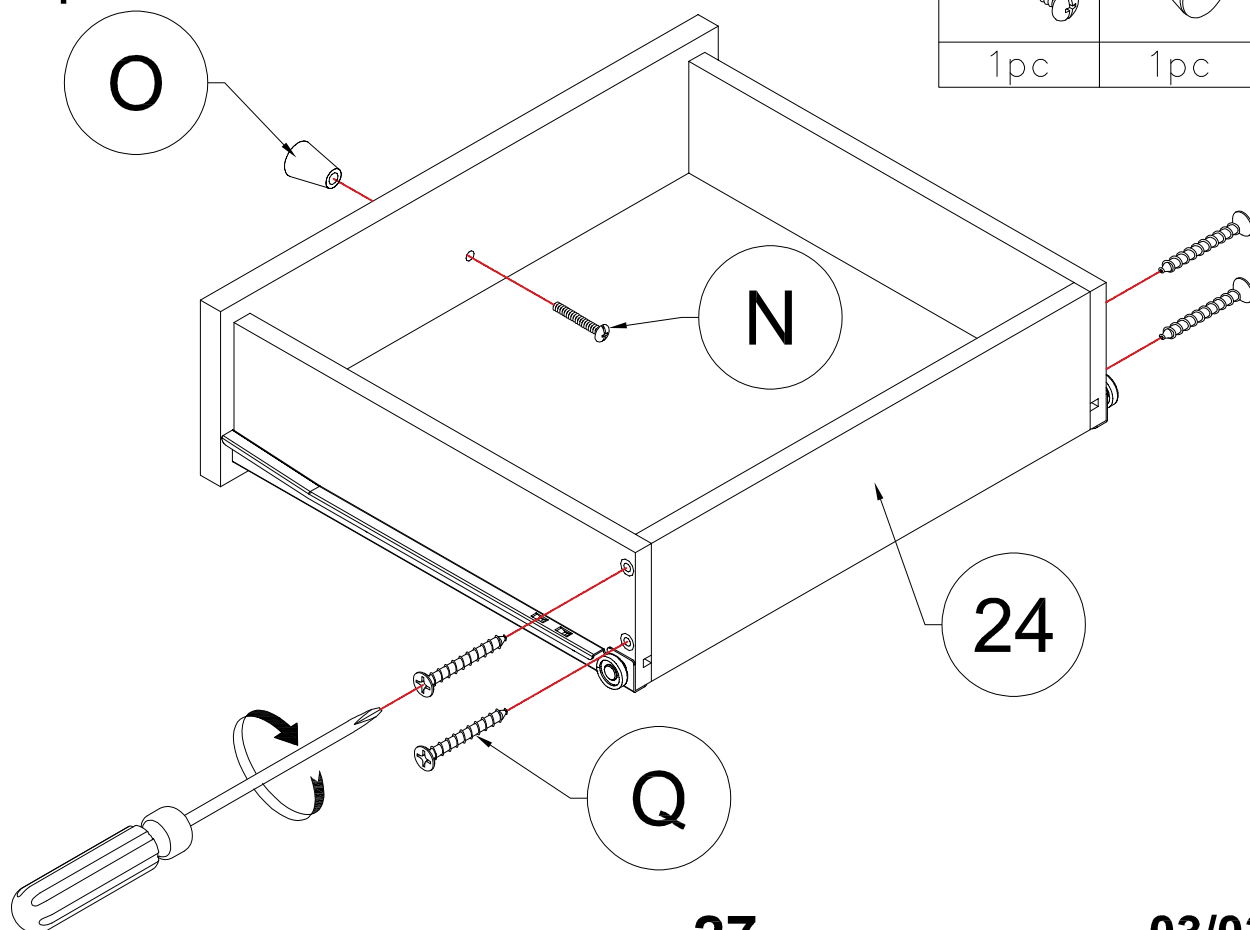
# Step 21.1:



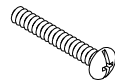
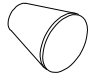
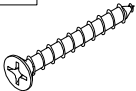
# X2

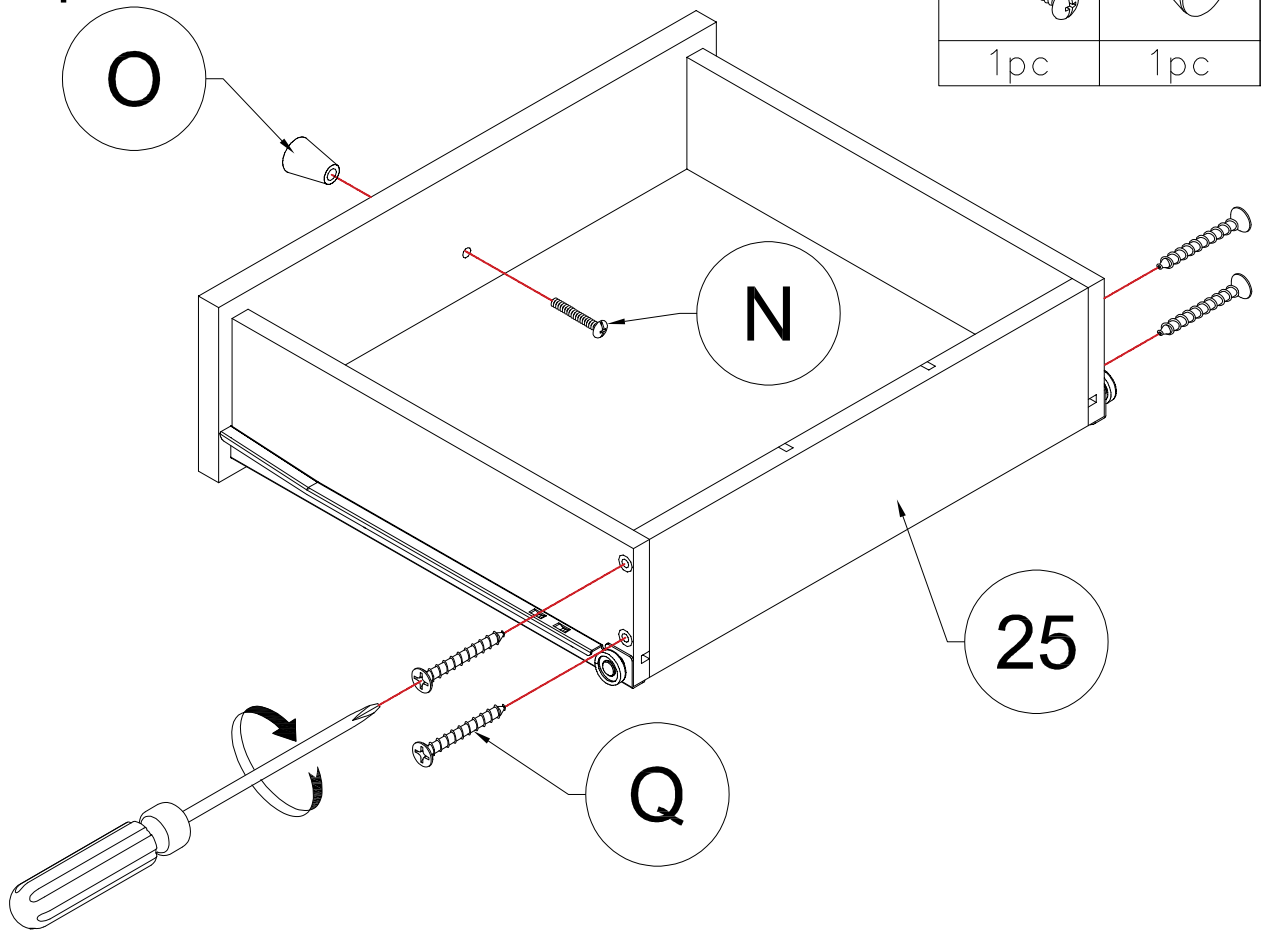
# Step 21.2:

N	O	Q
		
1pc	1pc	4pcs

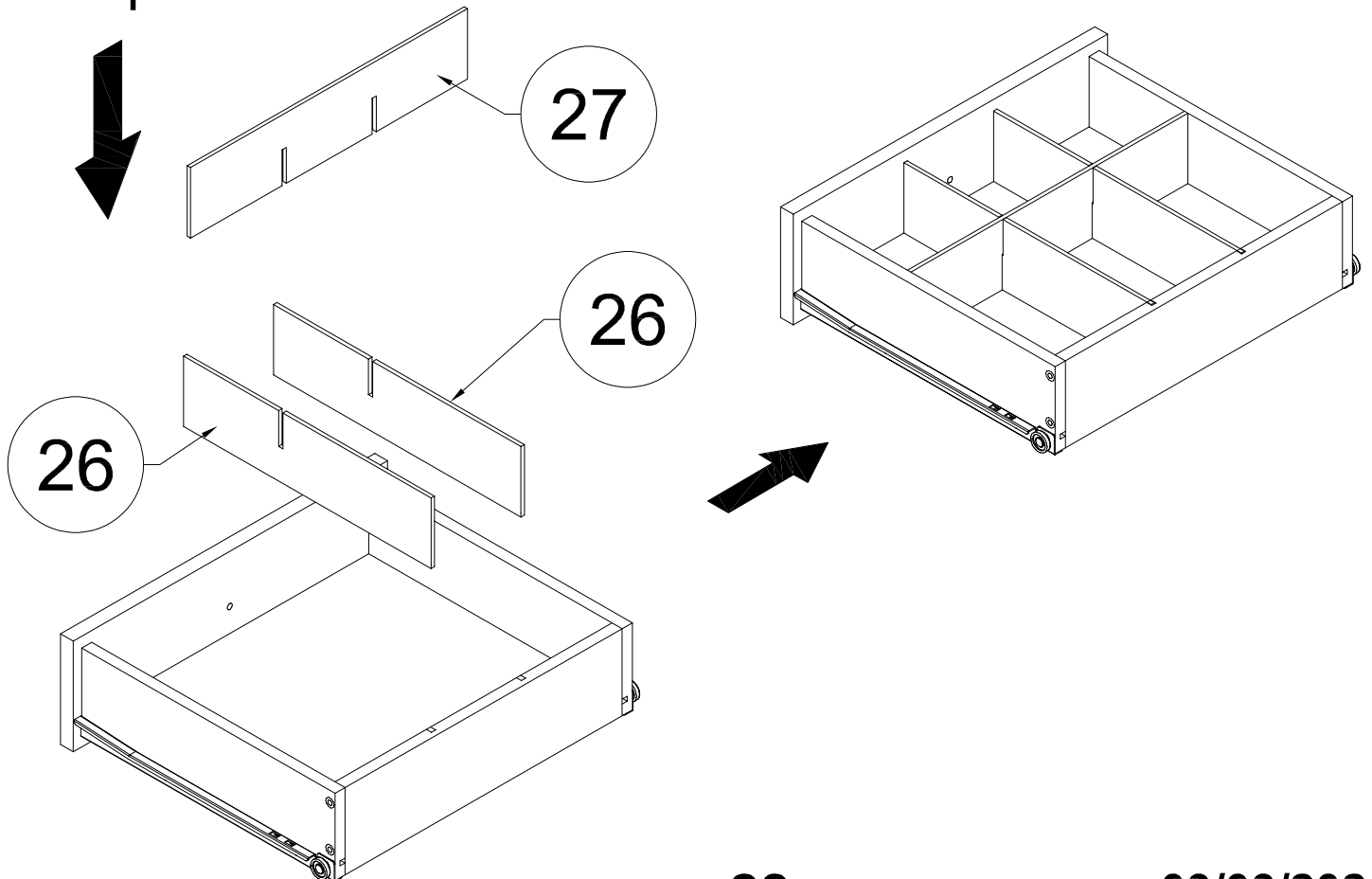


# Step 22.1:

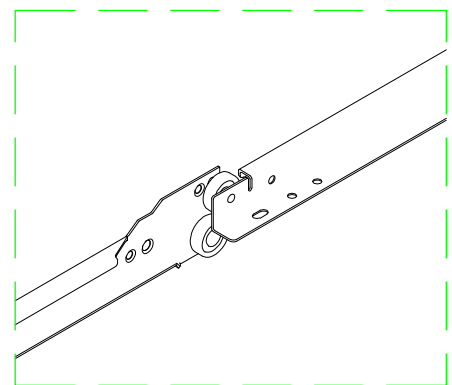
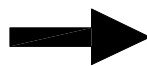
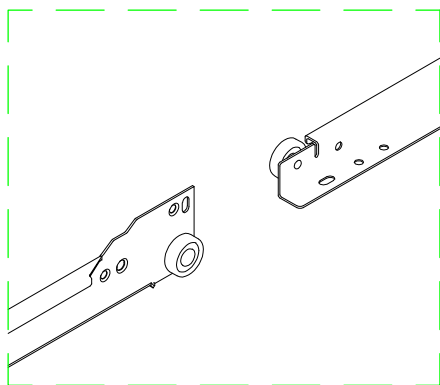
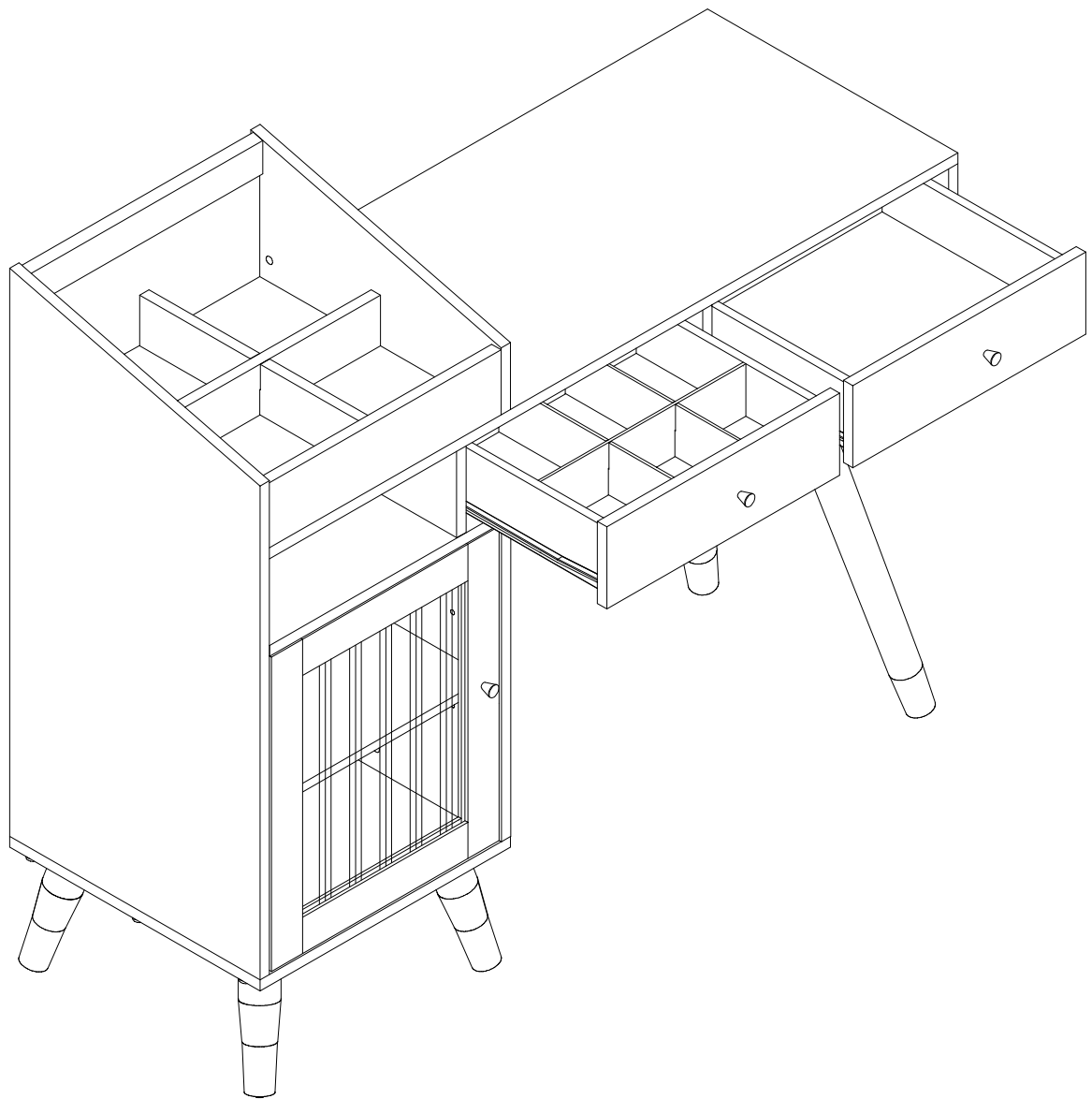
N	O	Q
		
1pc	1pc	4pcs



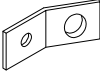
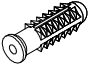

# Step 22.2:

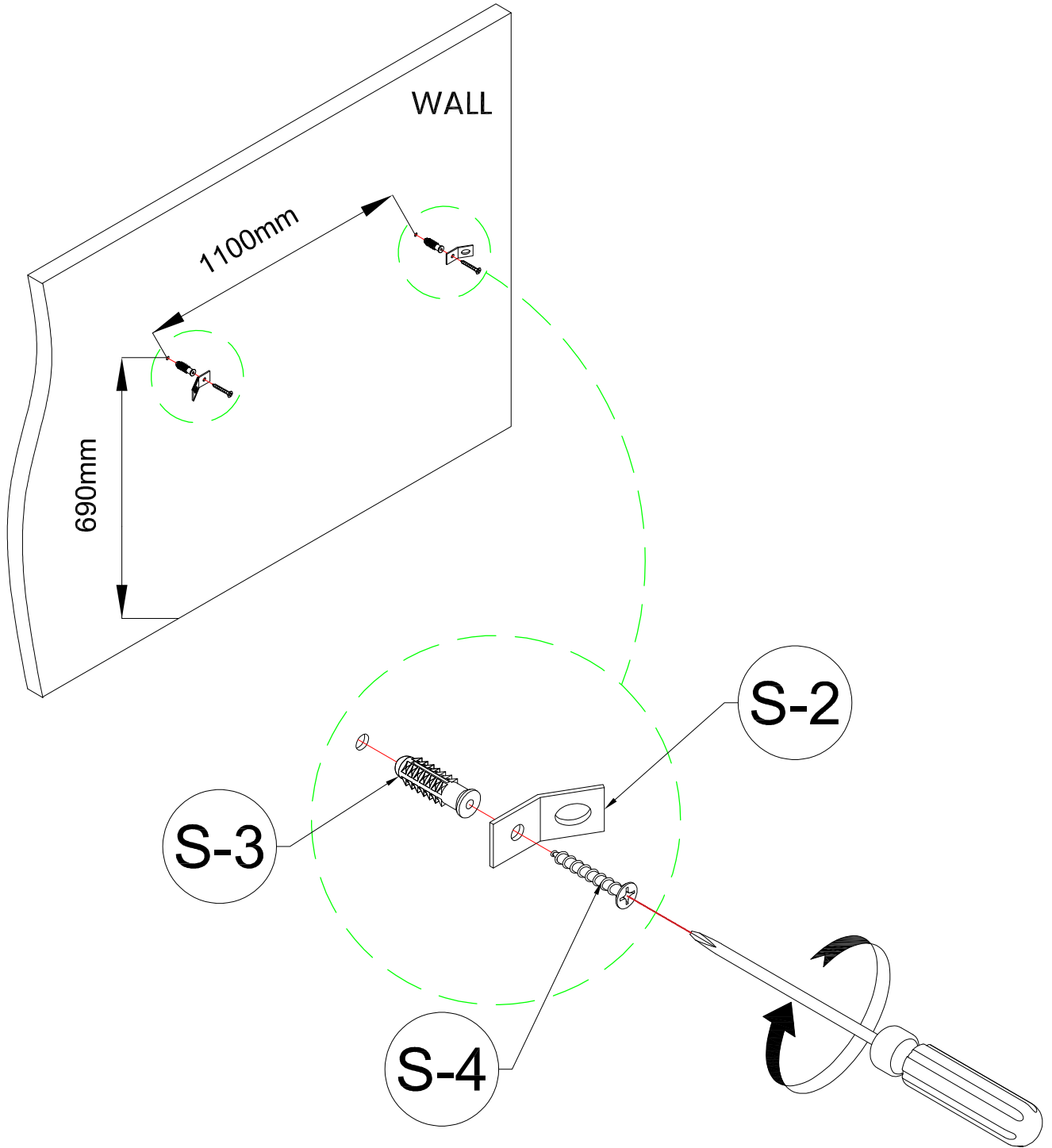


# Step 23:

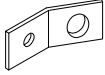



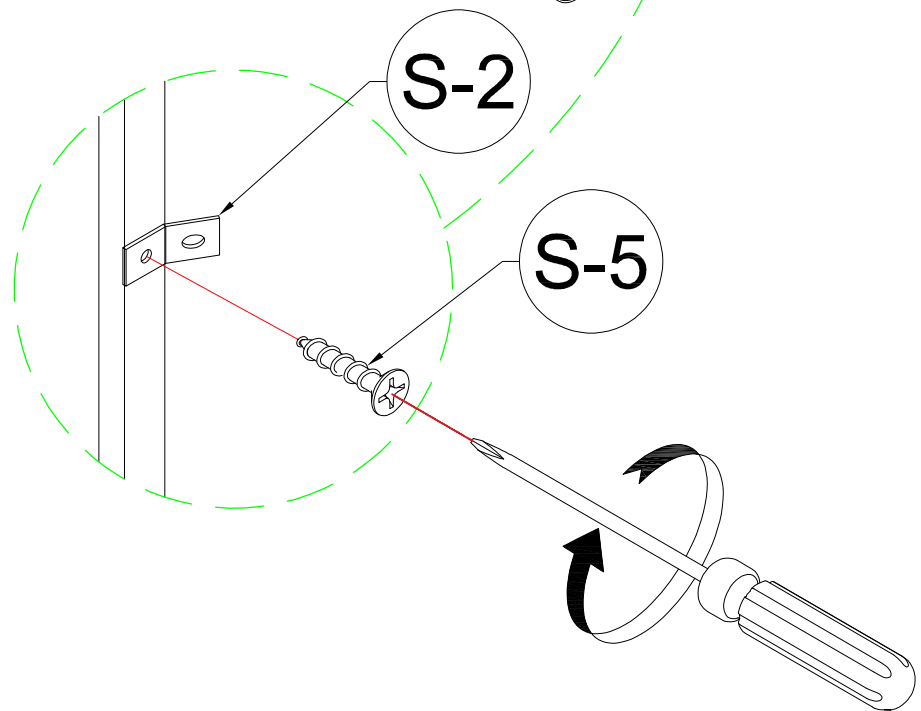
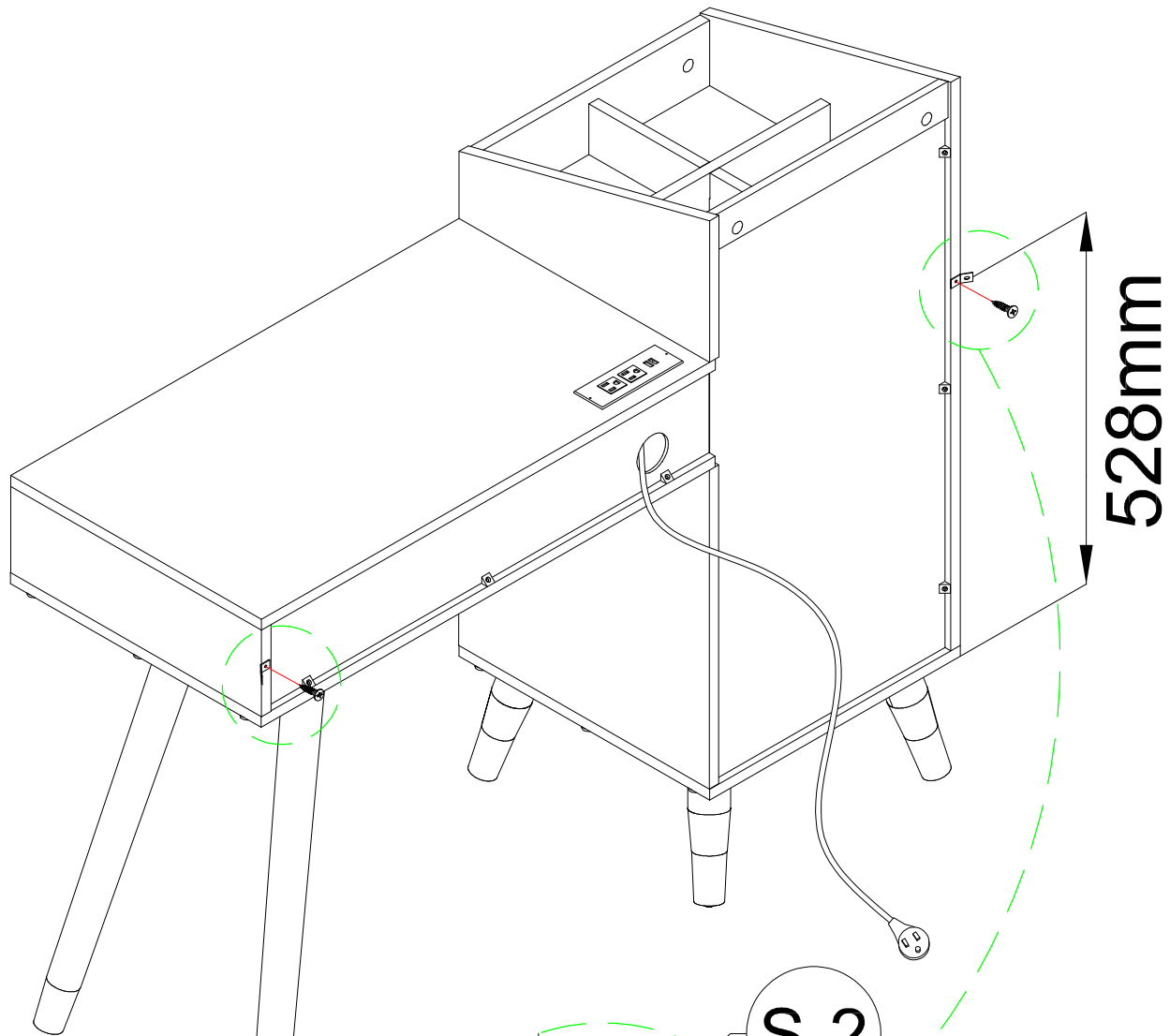
# Step 24:

S-2	S-3	S-4
		
2pcs	2pcs	2pcs



# Step 25:

S-2	S-5
	
2pcs	2pcs

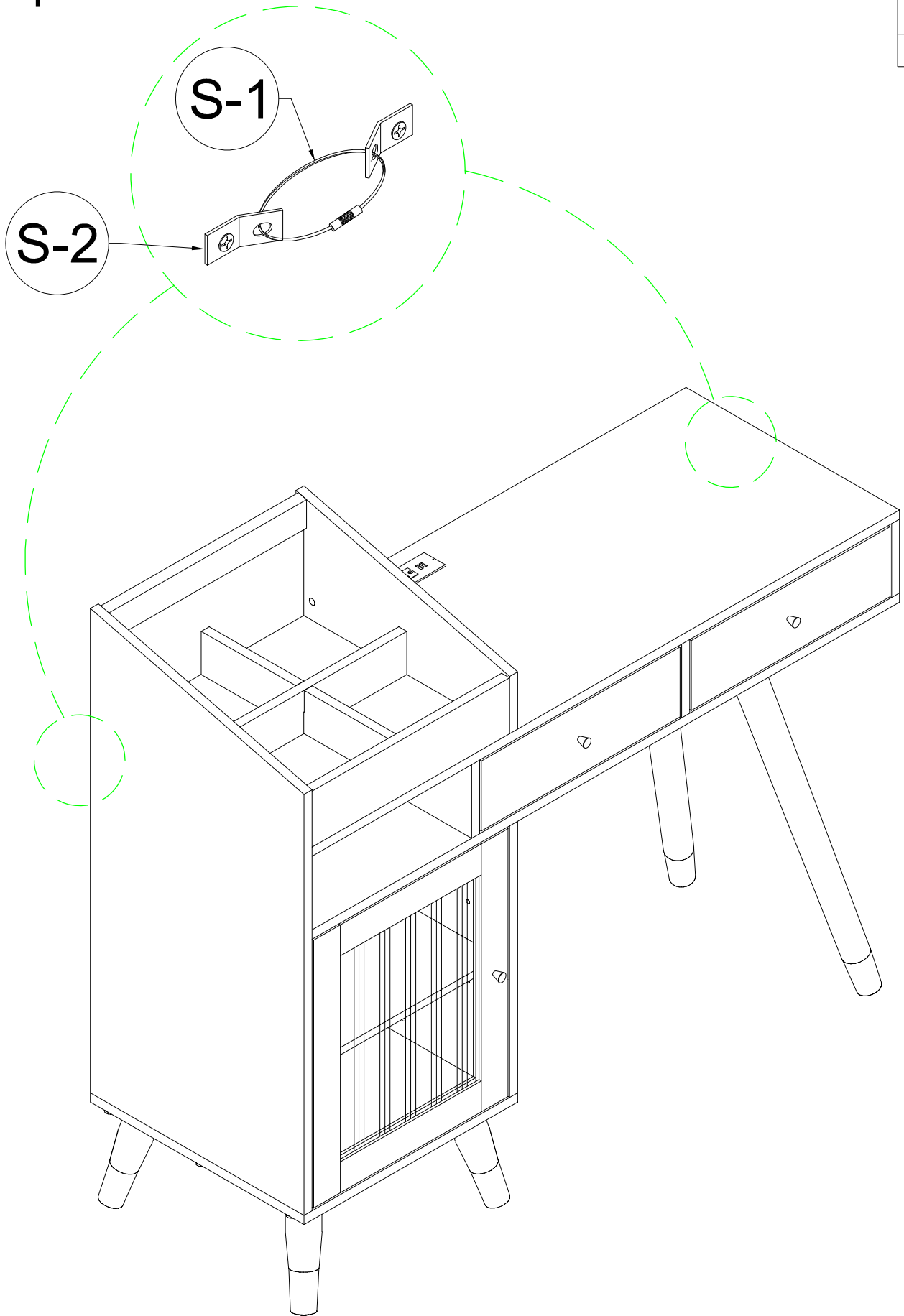


# Step 26:

S-1

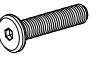


2pcs

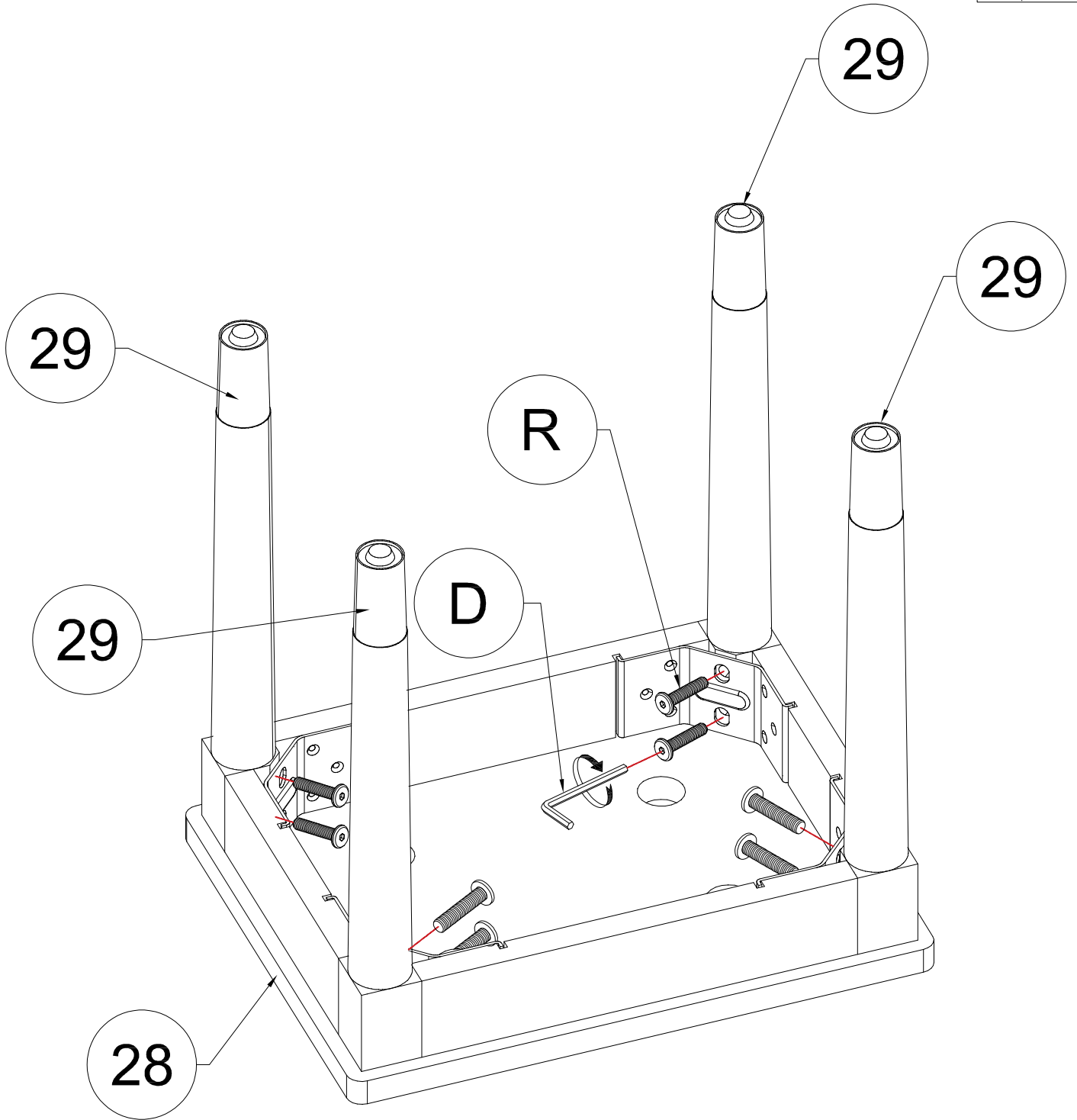


# Step 27:

R



8pcs



# FINISH

