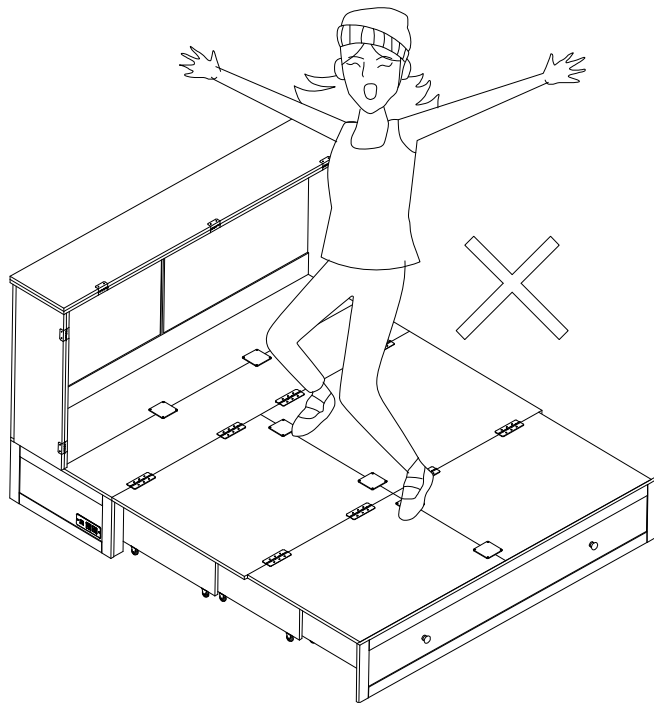
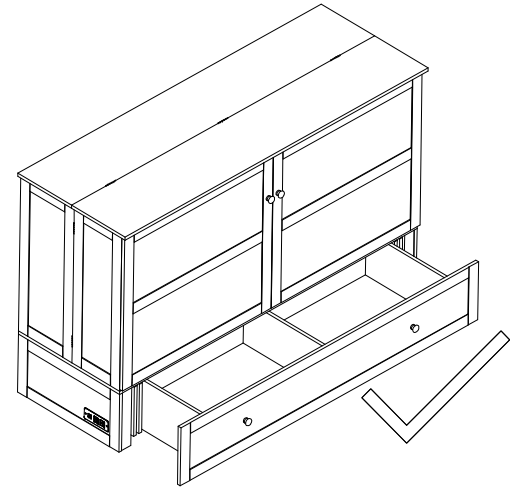
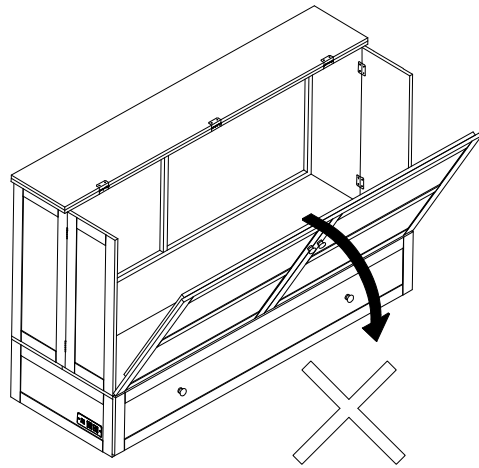
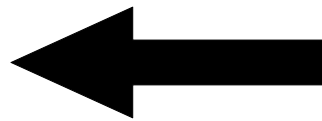
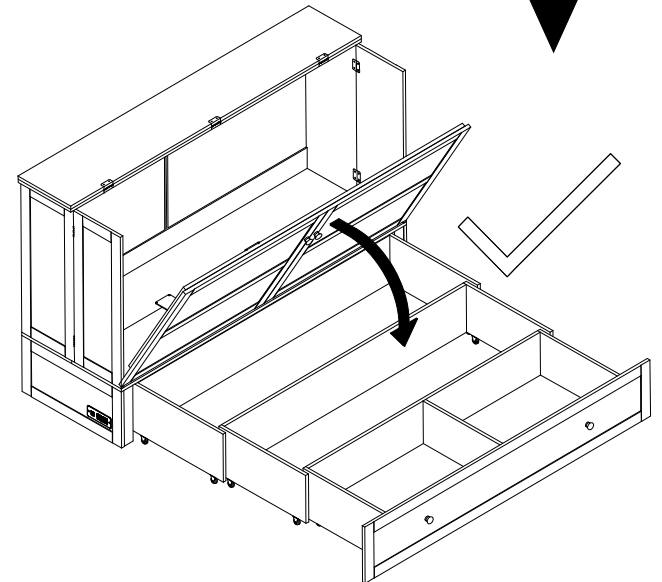


# Product Usage Instructions



**NO JUMPING.**



# INSTALLATION GUIDE

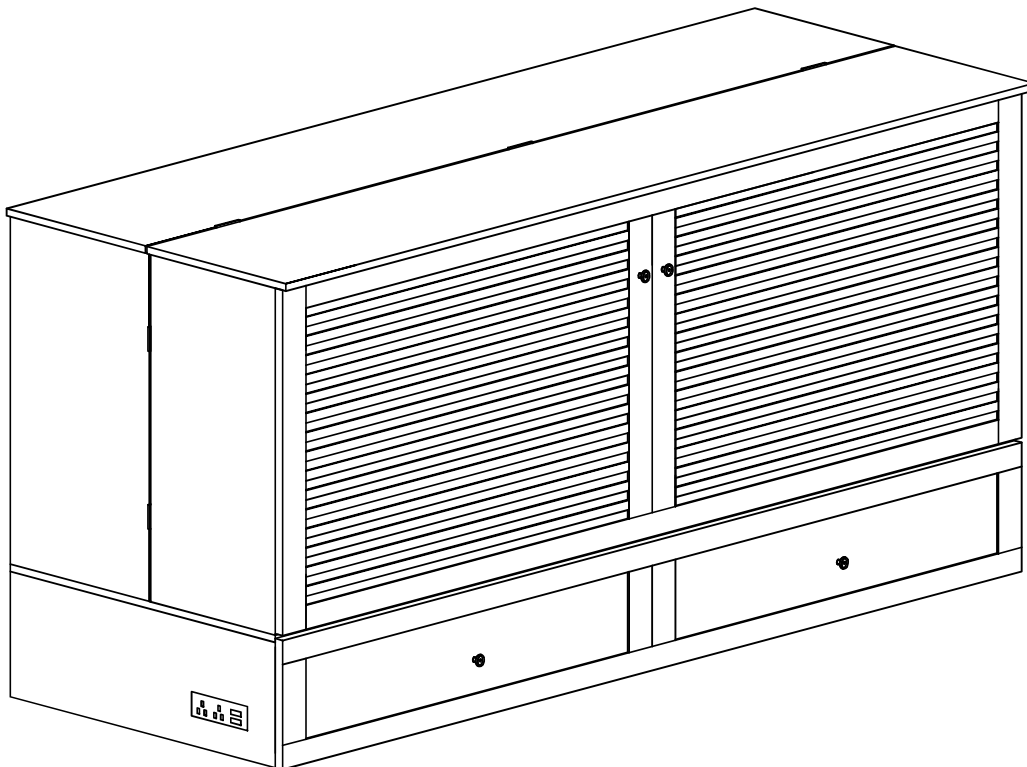
---

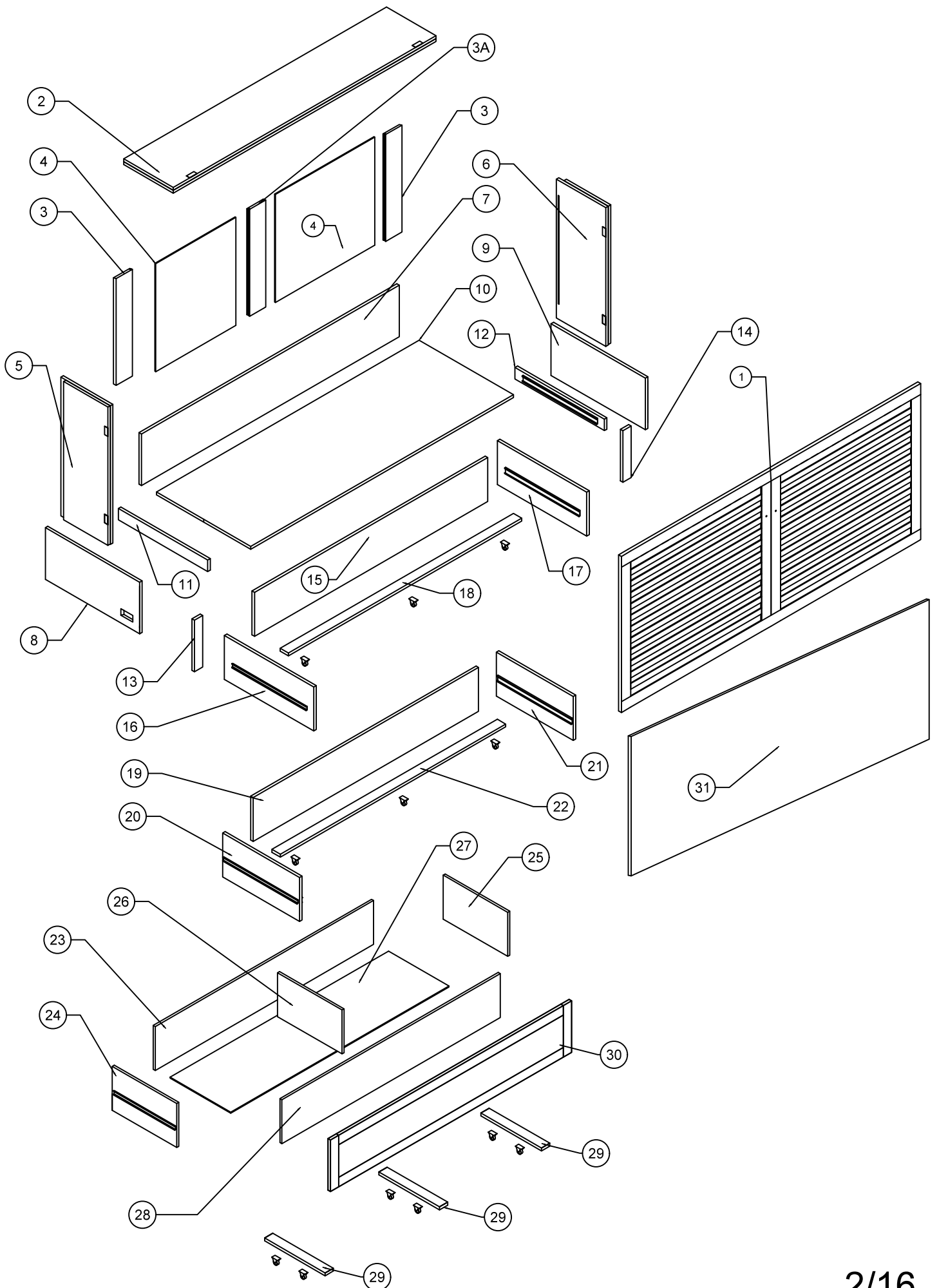


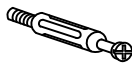
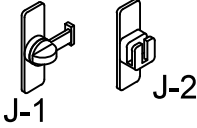




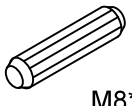
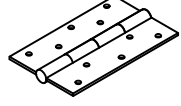
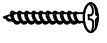
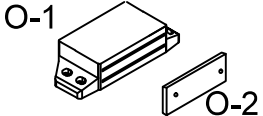



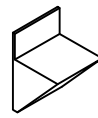
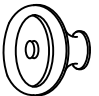
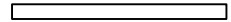
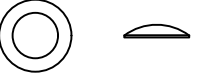
Suggest using electric tools for installation

---

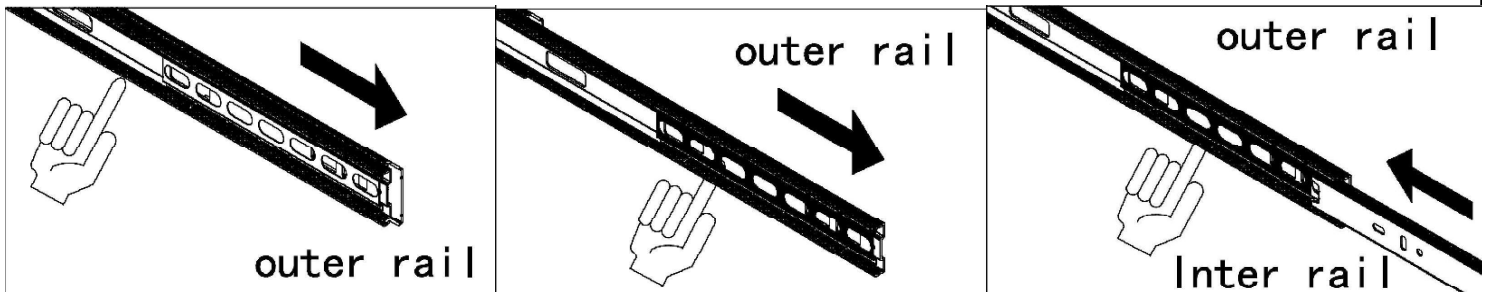
---



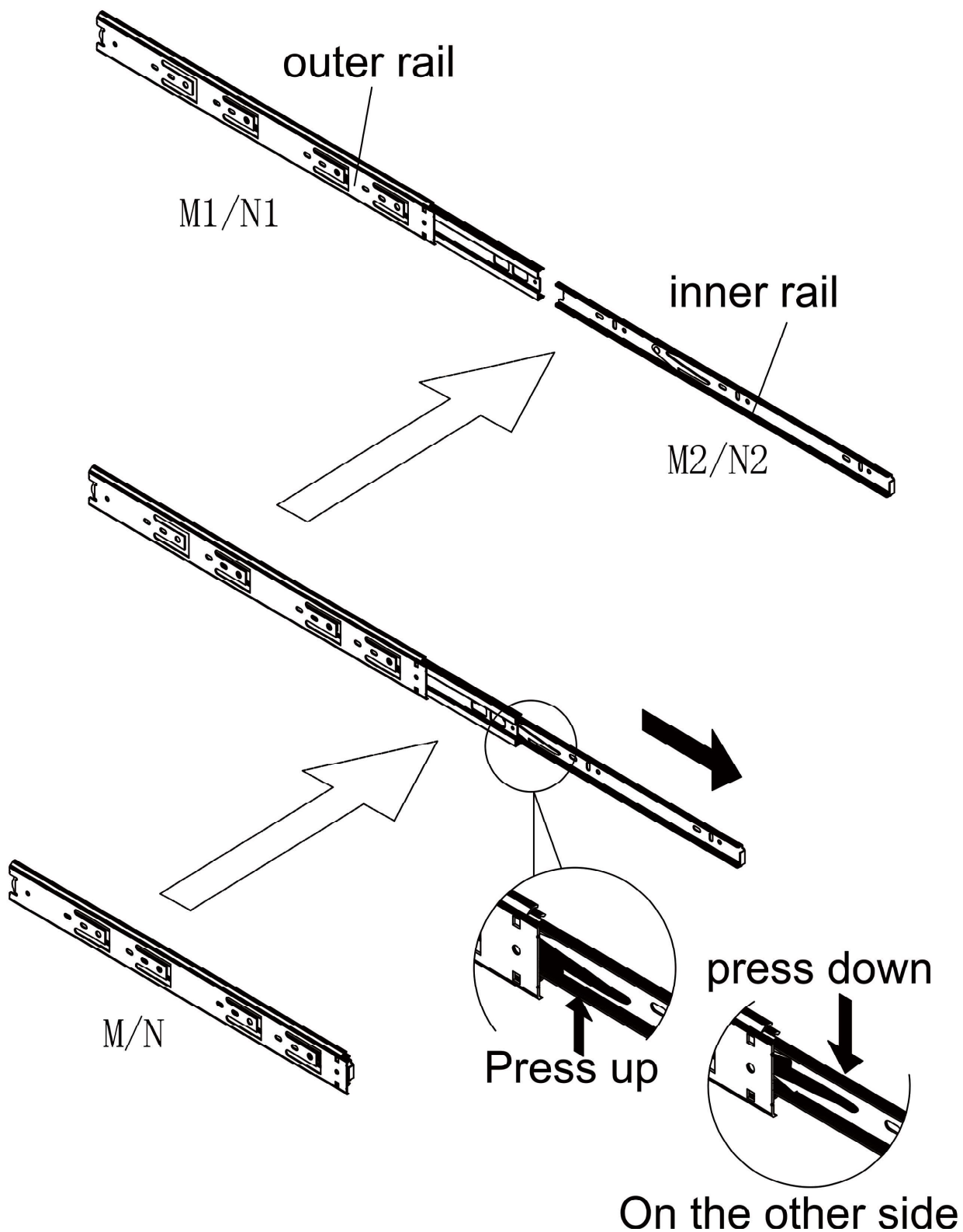


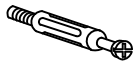
A	 M15	65 PCS	J	 J-1 J-2	2 PCS
B	 M15	65 PCS	T	 T00L	1 PCS
E	 M4*30	25 PCS	K		12 PCS
D	 M8*40	13 PCS	L		6 PCS
F	 M3.5*14	115 PCS	O	 O-1 O-2	2 PCS
S	 M6*18	8 PCS	P		1 PCS
H	 M4*18	4 PCS	Q		6 PCS
I		4 PCS	X	 M15*150	3 PCS
Z		2 PCS			

## Special hardware install instructions



# Special hardware removal instructions



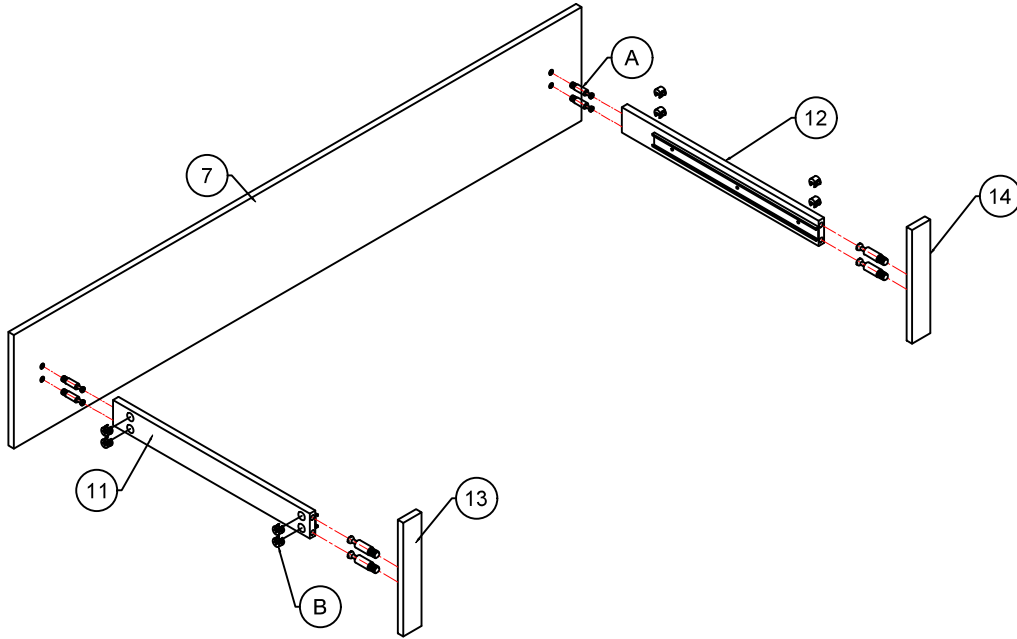
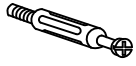
**A**

8 PCS

**B**

M15

8 PCS

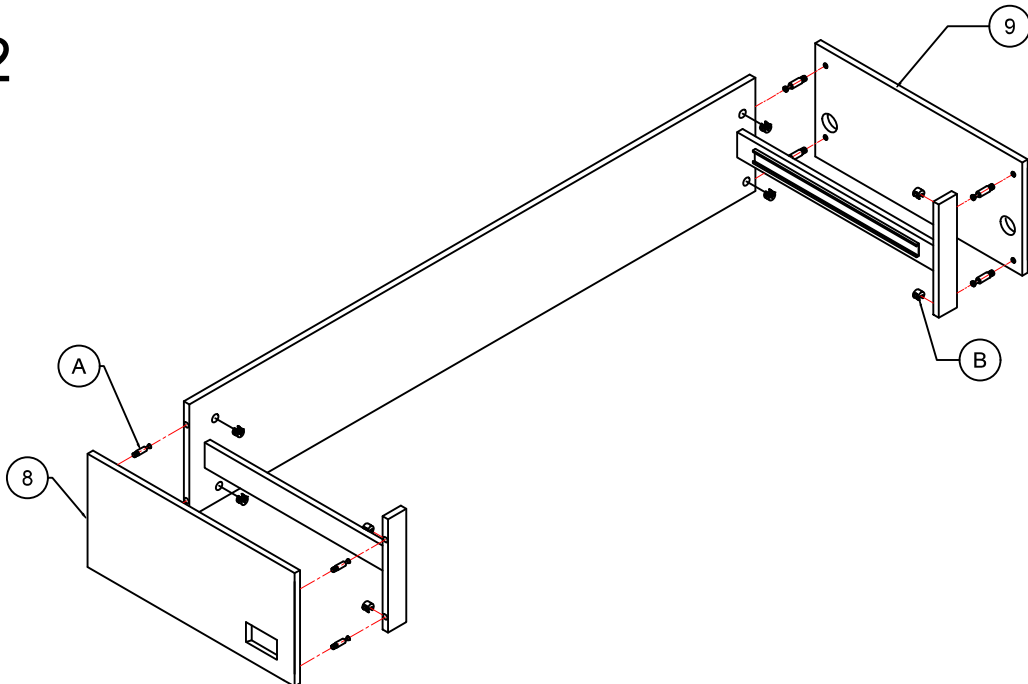
**STEP 1****A**

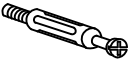
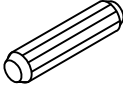

8 PCS

**B**

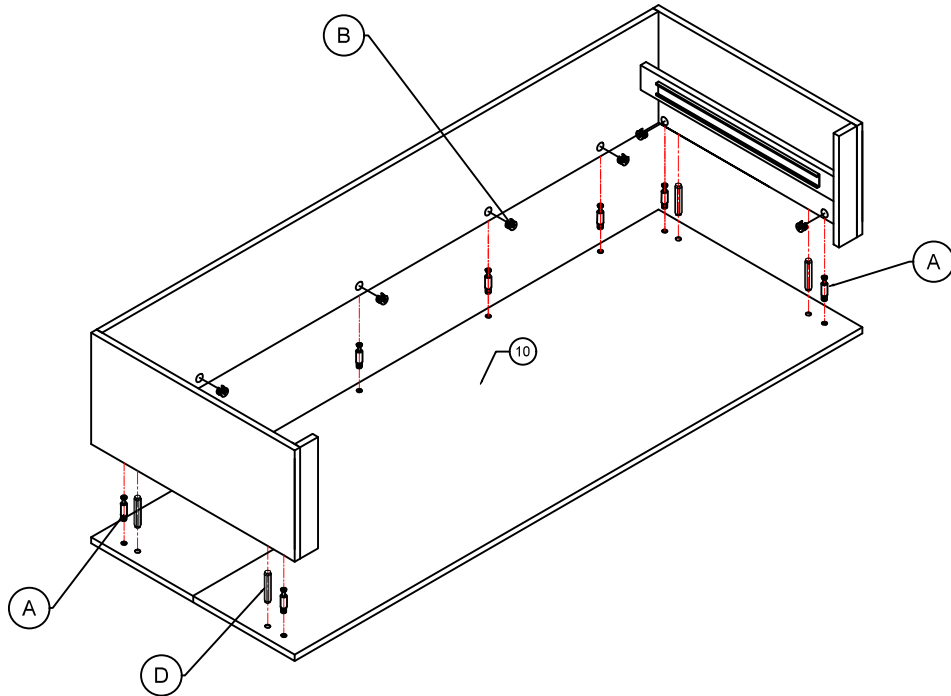
M15


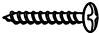
8 PCS

**STEP 2**

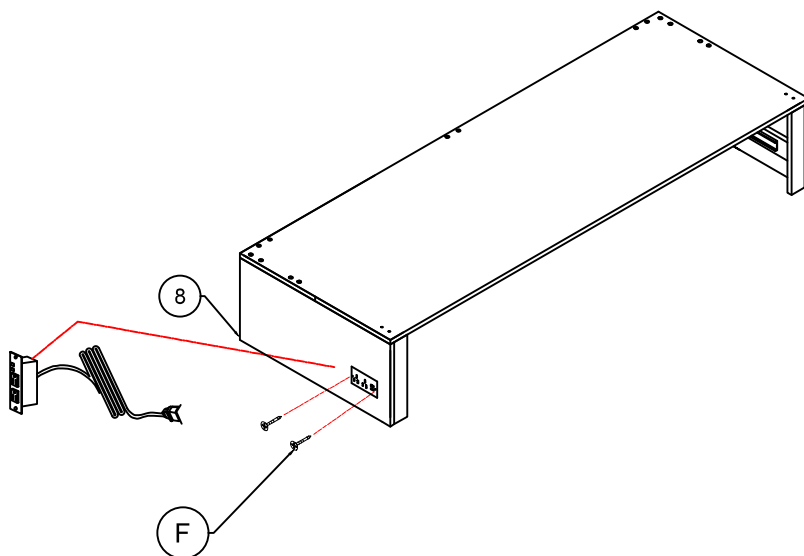
A		8 PCS	D		4 PCS
B	 M15	8 PCS			

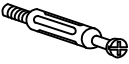
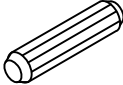

### STEP 3



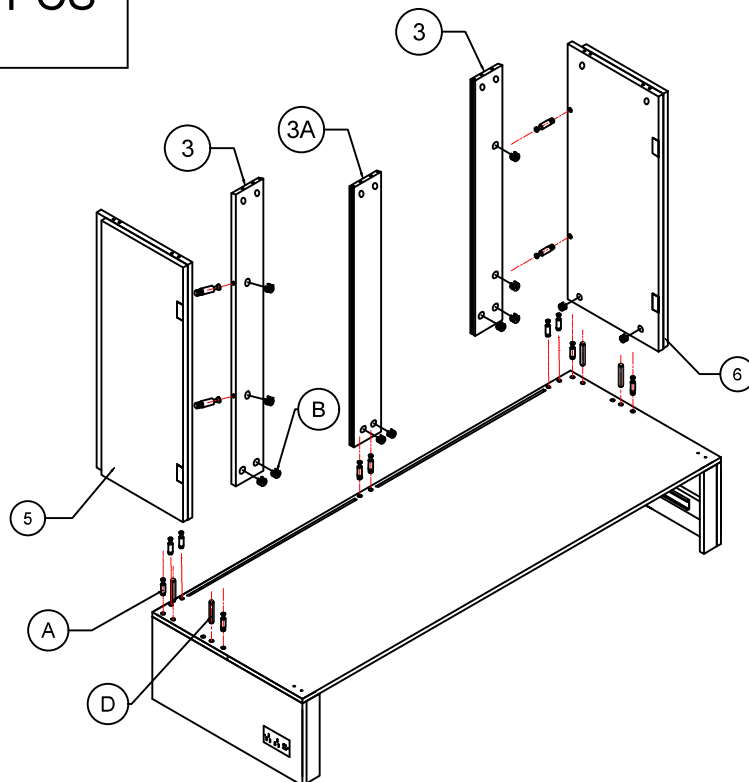
P		1 PCS	F	 M3.5*14	2 PCS
---	---	-------	---	--	-------

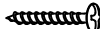
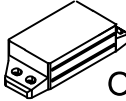
### STEP 4

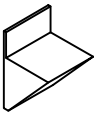


A		14 PCS	D		4 PCS
B	 M15	14 PCS			

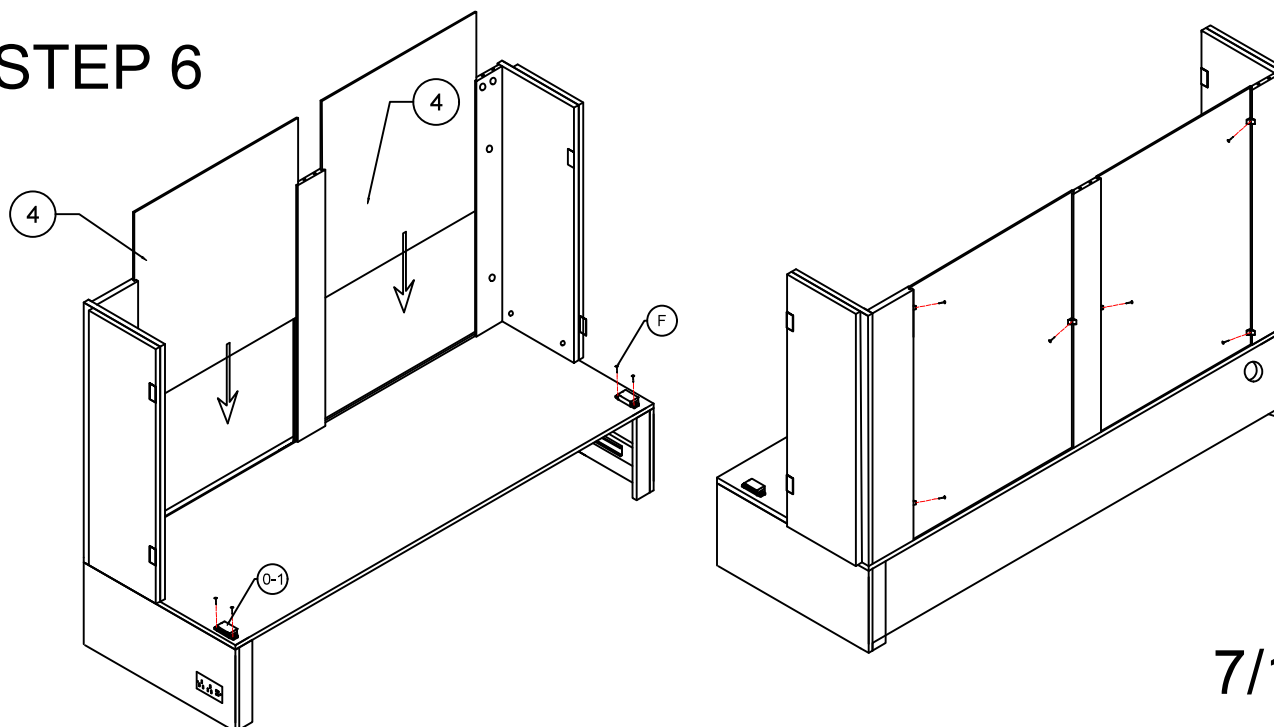
## STEP 5




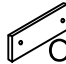
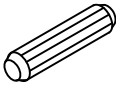



F	 M3.5*14	10PCS	O	 O-1	2 PCS
---	--	-------	---	--	-------

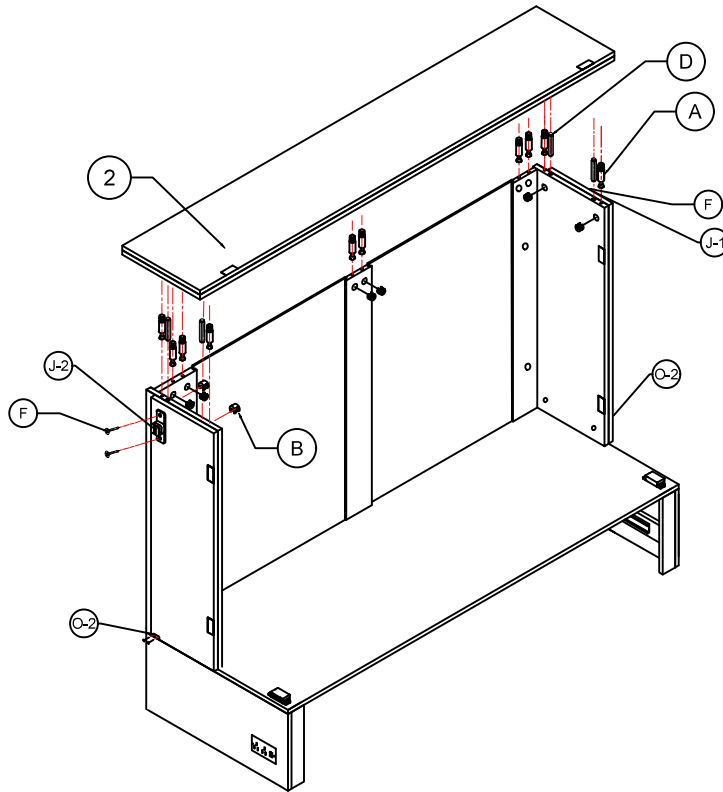
Q		6 PCS			
---	---	-------	--	--	--



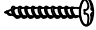

## STEP 6



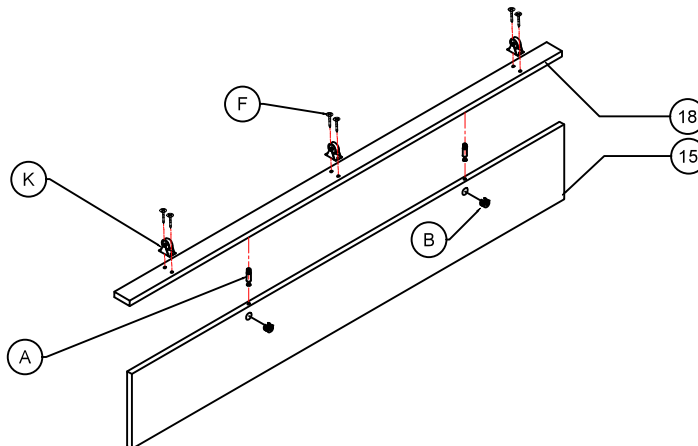
A		10 PCS	B	 M15	10 PCS
F	 M3.5*14	8 PCS	O	 O-2	2 PCS
D		4 PCS	J	 J-2	2 PCS

## STEP 7



A		2 PCS	B	 M15	2 PCS
F	 M3.5*14	6 PCS	K		3 PCS

## STEP 8



**A**



6 PCS

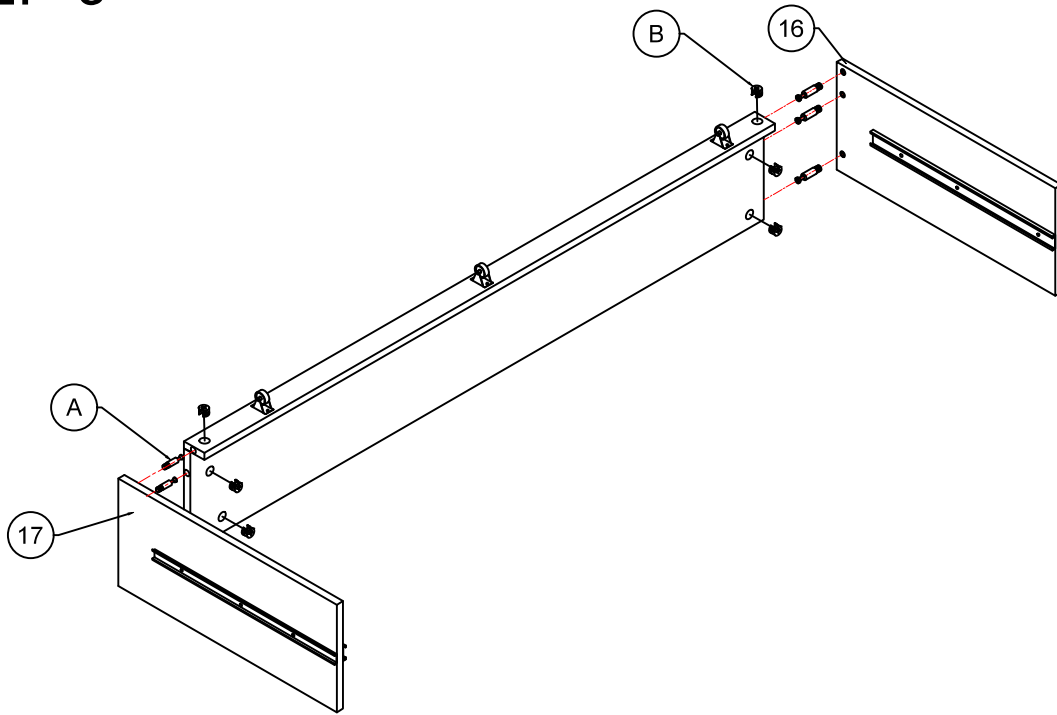
**B**



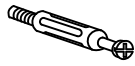
M15

6 PCS

### STEP 9



**A**



2 PCS

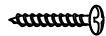
**B**



M15

2 PCS

**F**



M3.5\*14

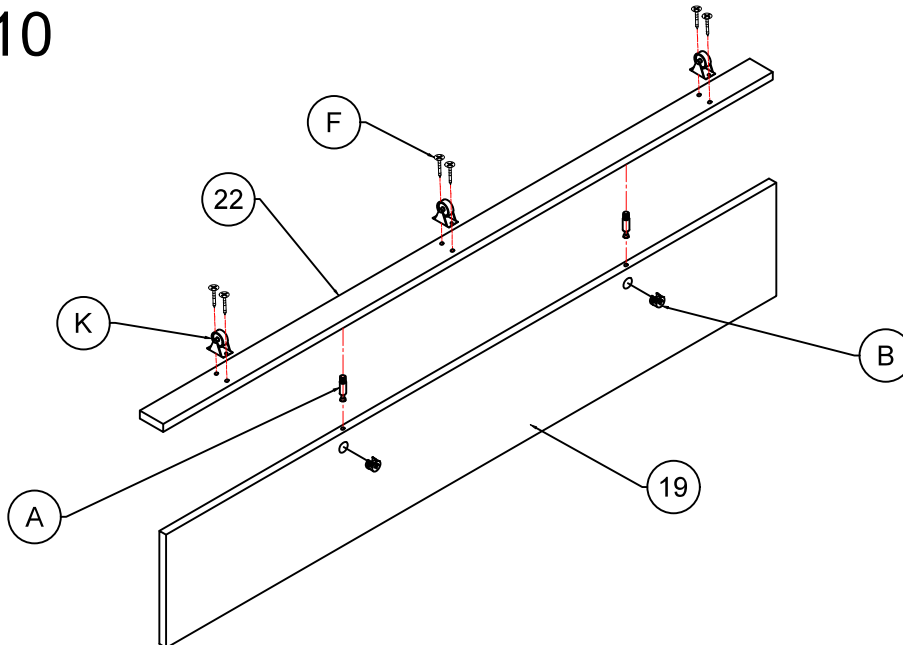
6 PCS

**K**



3 PCS

### STEP 10



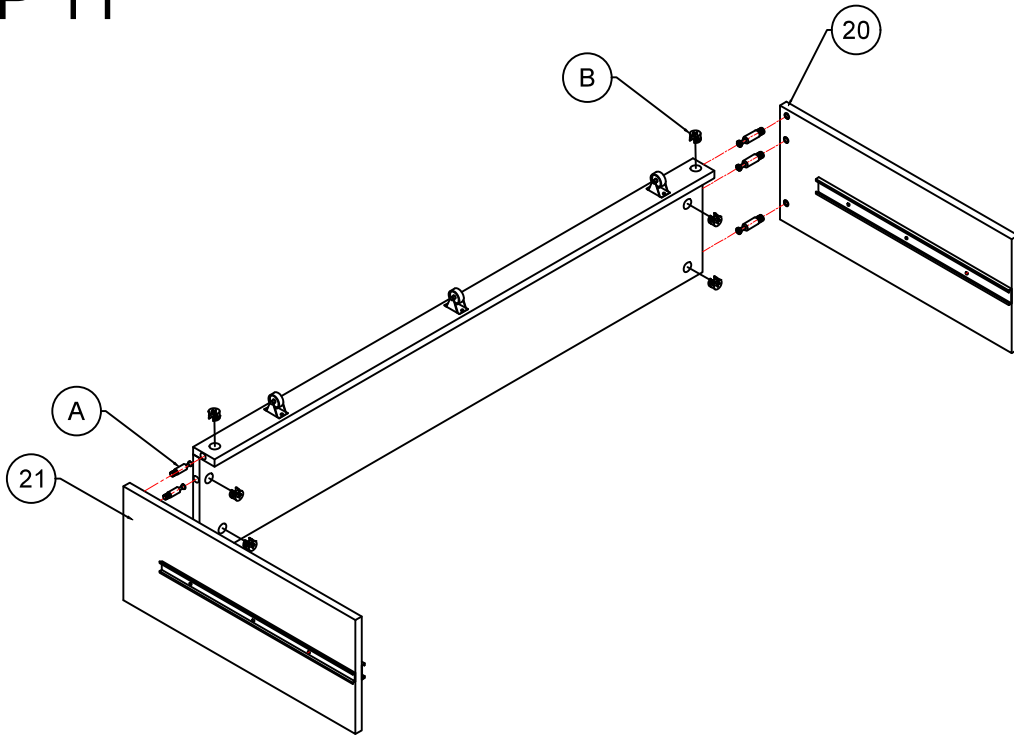
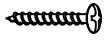
**A**

6 PCS

**B**

M15

6 PCS

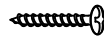
**STEP 11****E**

M4\*30

8 PCS

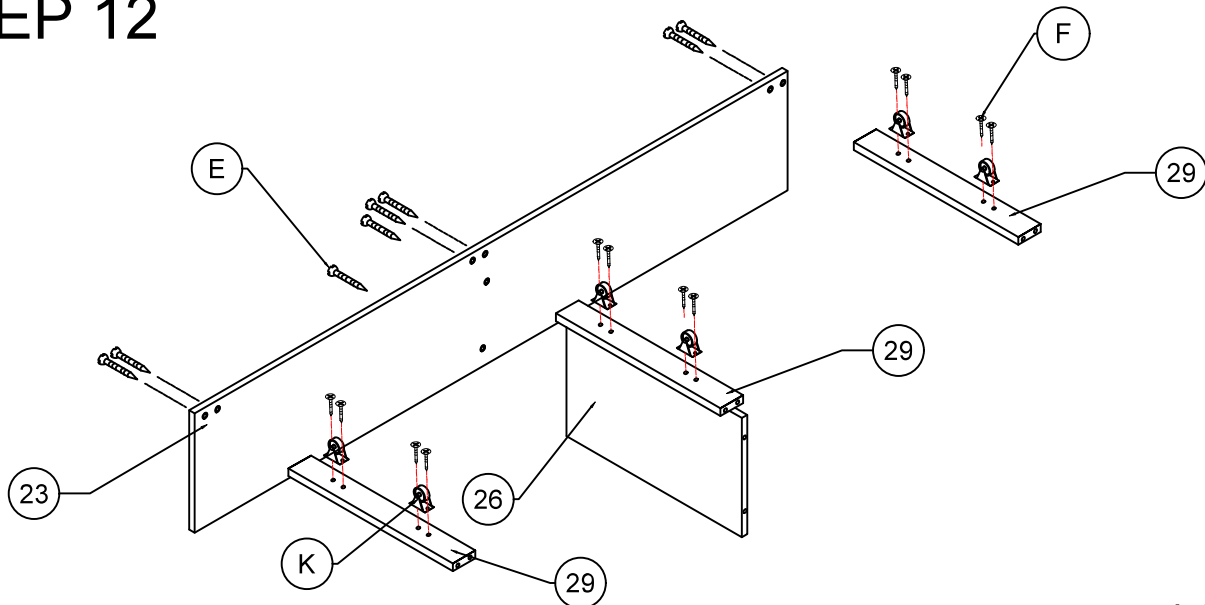
**K**

6 PCS

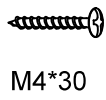
**F**

M3.5\*14

12 PCS

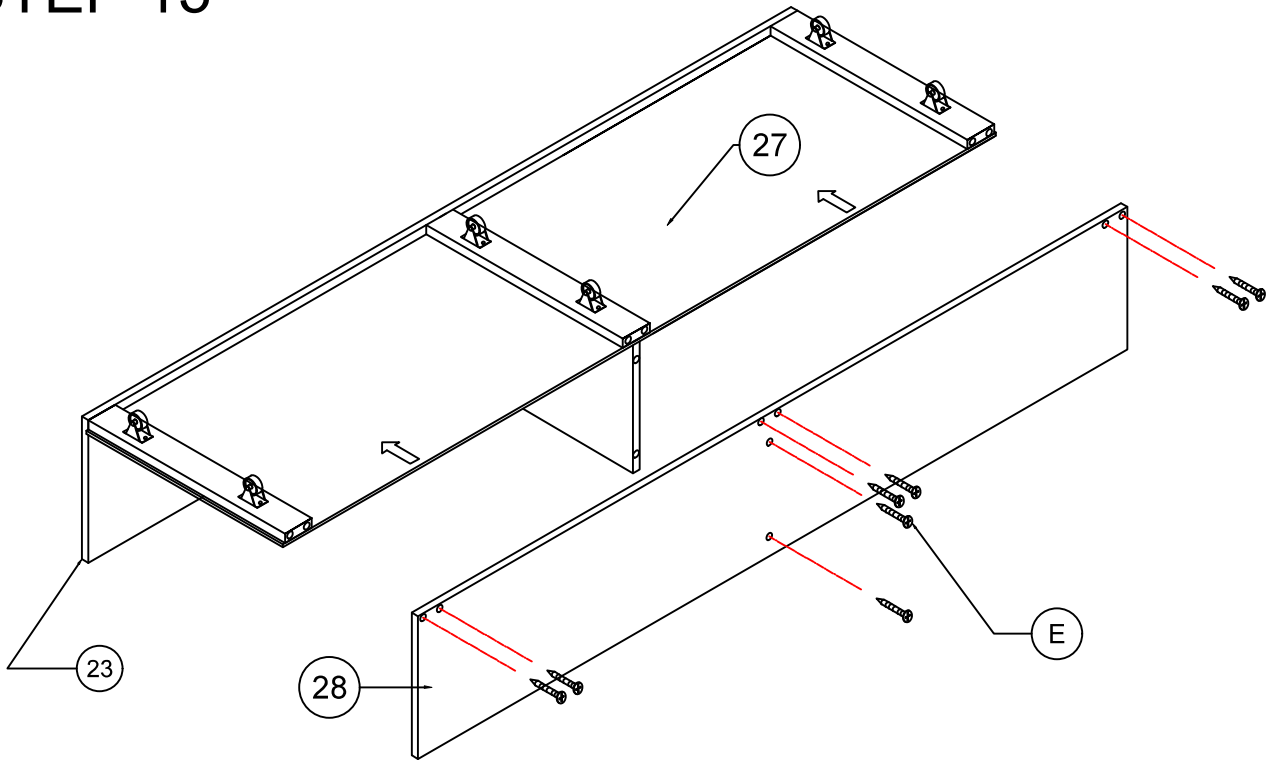
**STEP 12**

E

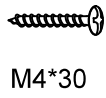


8 PCS

### STEP 13

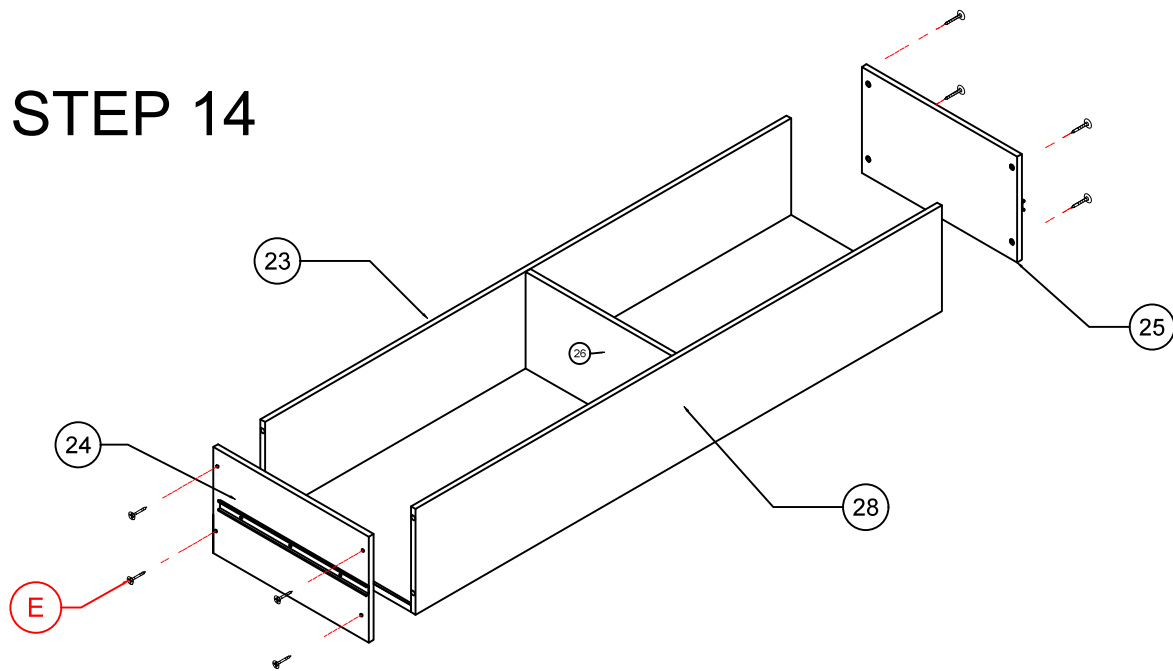


E



8 PCS

### STEP 14



H



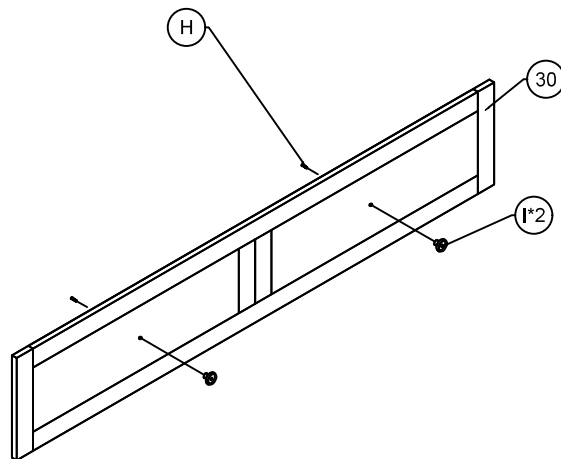
2 PCS

I

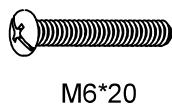


2 PCS

### STEP 15

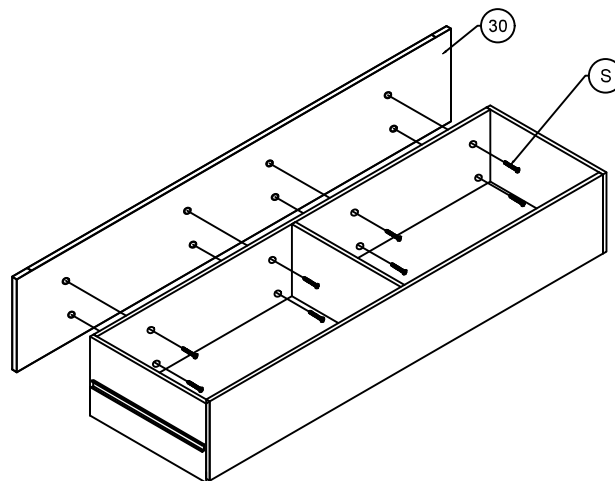


S



8 PCS

### STEP 16

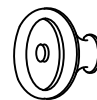


H



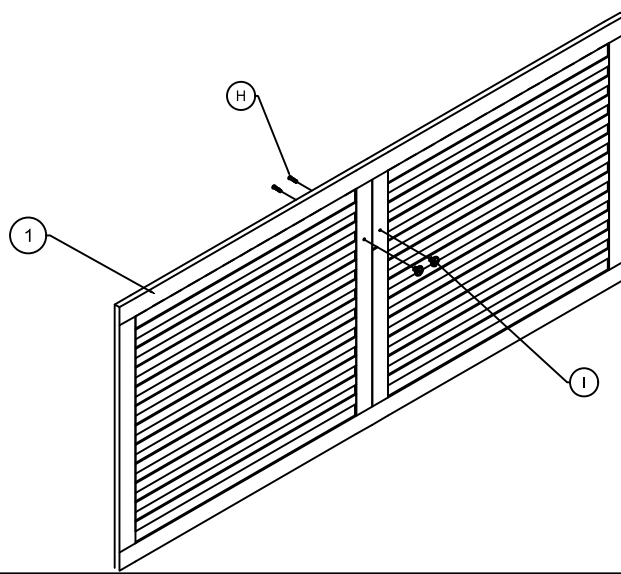
2 PCS

I

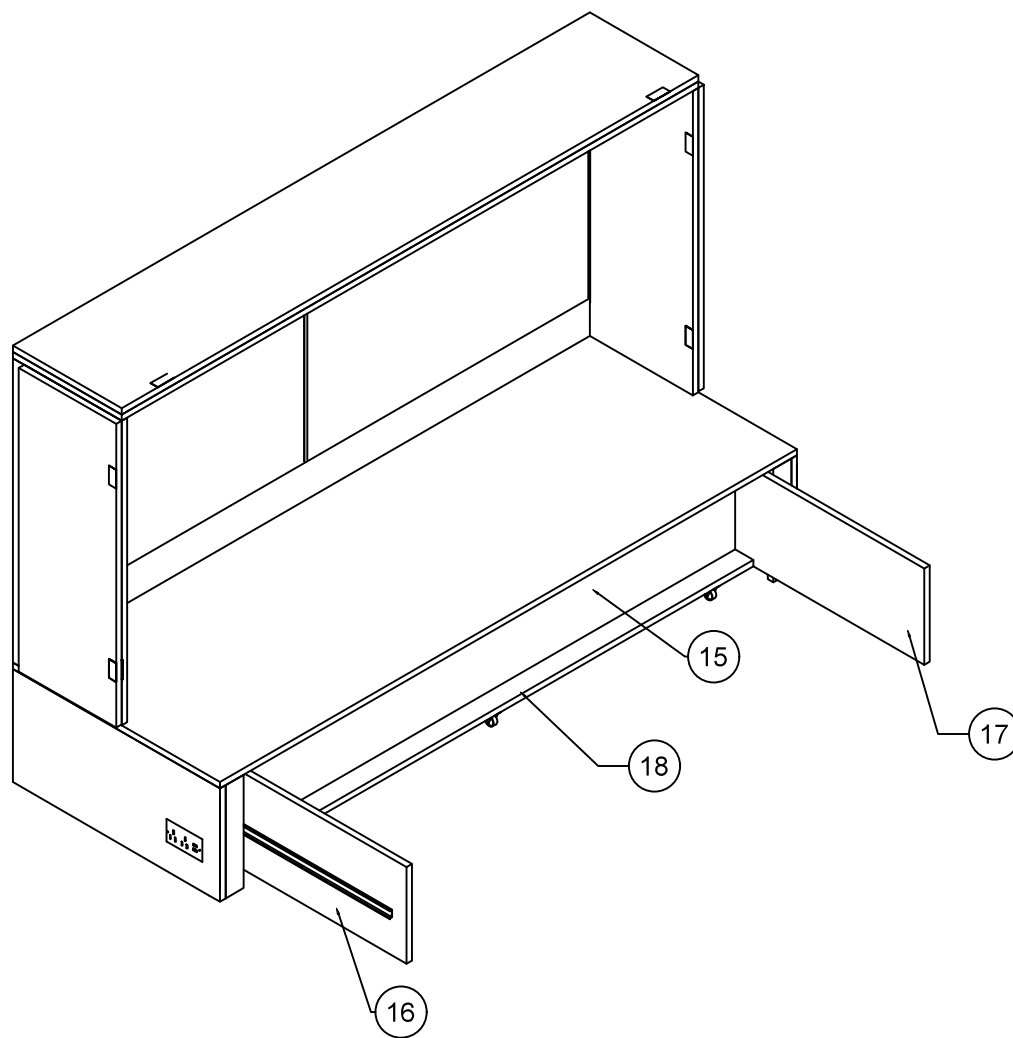
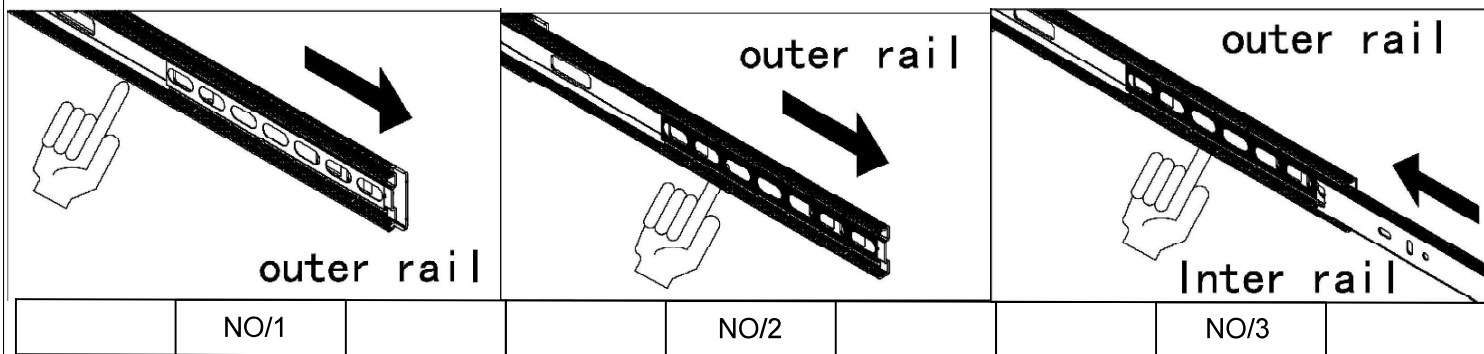


2 PCS

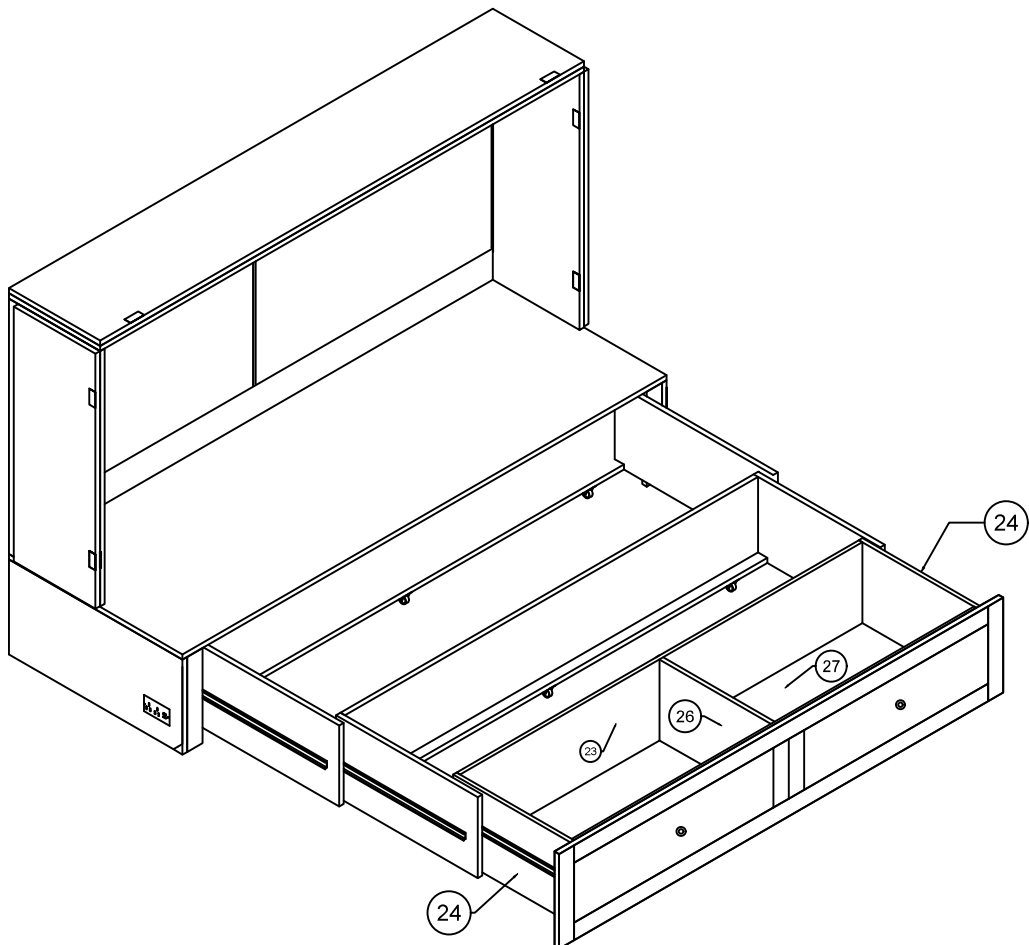
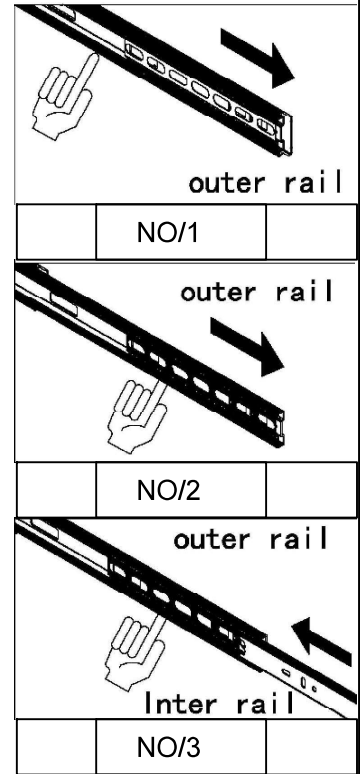
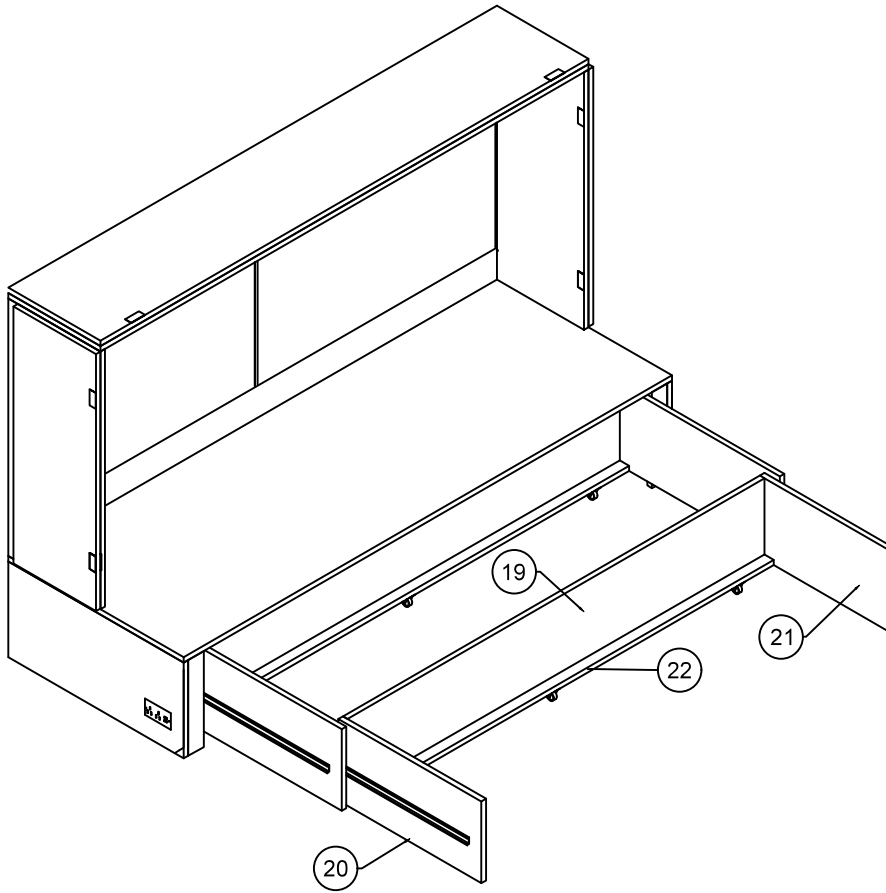
### STEP 17

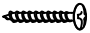
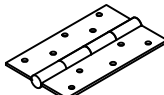
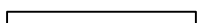


# STEP 18

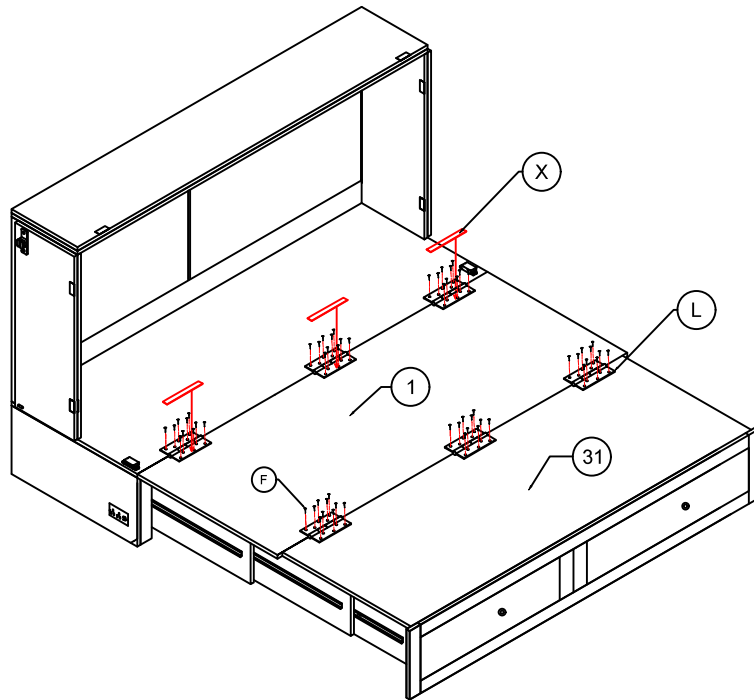



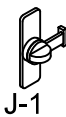
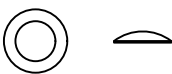
# STEP 19



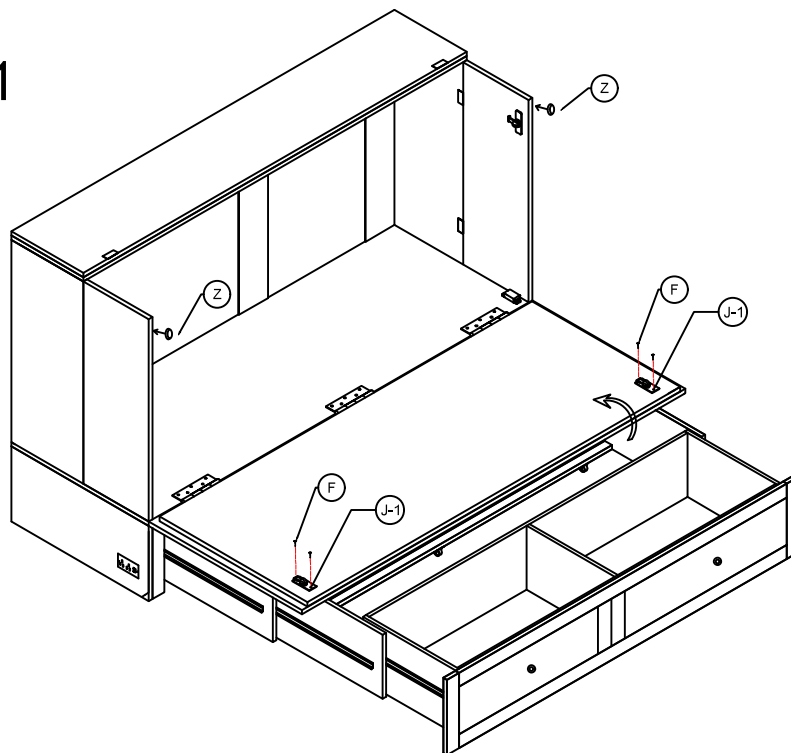
F	 M3.5*14	60 PCS	L		6 PCS
X	 M15*150	3 PCS			

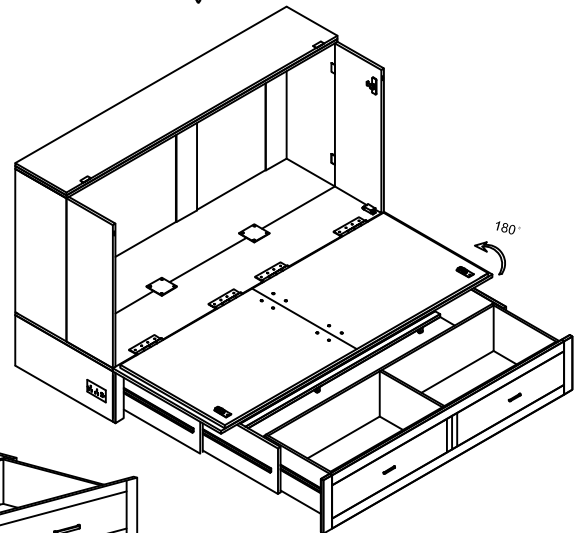
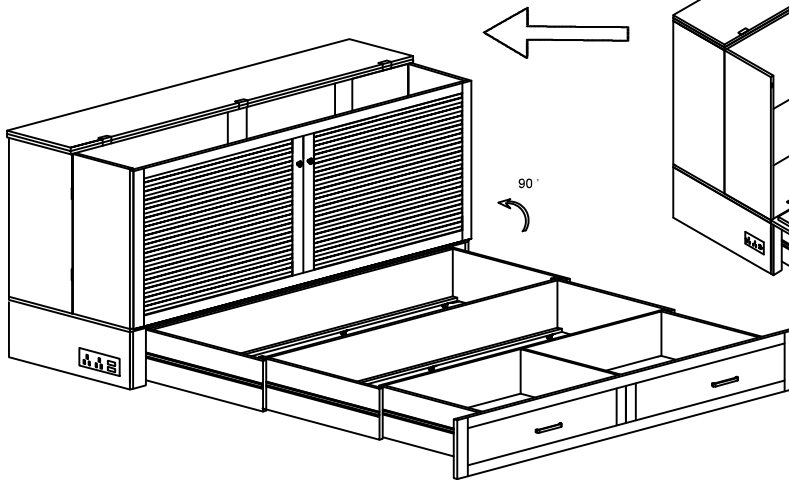
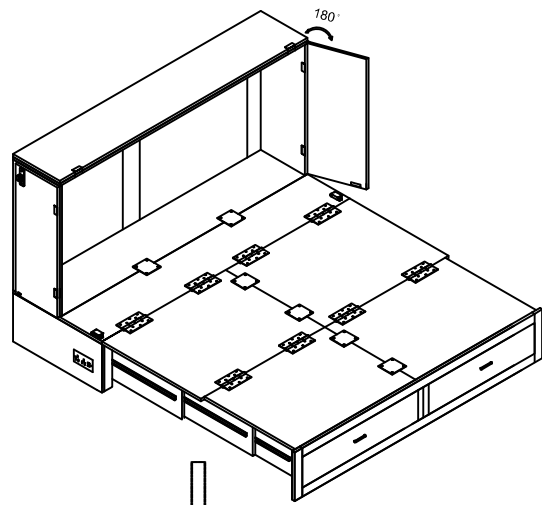
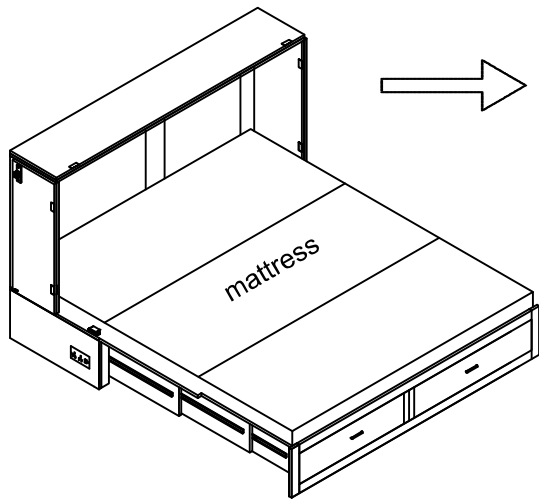
## STEP 20



F	 M3.5*14	4 PCS	J	 J-1	2 PCS
Z		2 PCS			

## STEP 21





When opening or closing, it is advisable to push and pull simultaneously with both hands.

