

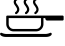










Assembly Instructions

Caution: You must read this before you proceed

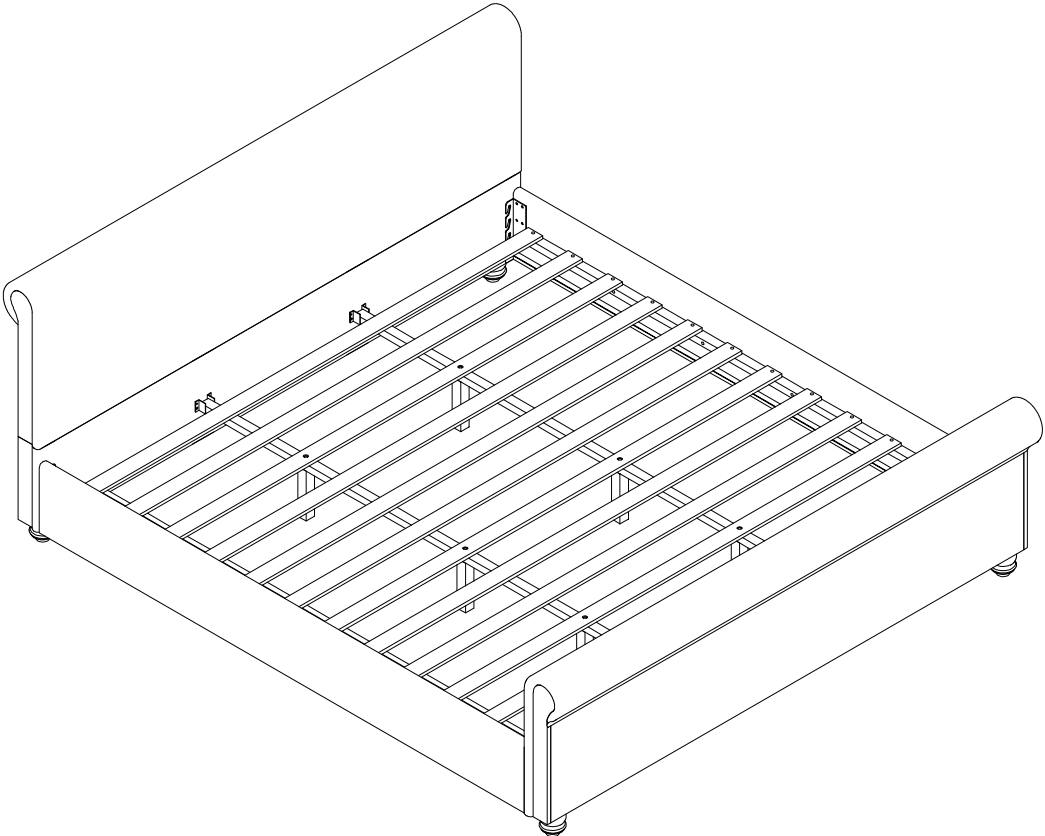
Care & Maintenance

- ⊘  ● Not for commercial use. For residential use only.
- ✓  ● Furniture may scratch floors. We recommend using furniture pads to protect your floors.
- ⊘  ● Do not put hot items directly on furniture surface.
- ⊘  ● Do not clean furniture with harsh cleansers or polish.
- ⊘  ● Do not place furniture under direct sunlight.
- ⊘  ● Do not place furniture near heating or cooling vents.
- ⊘  ● Do not write on furniture without a padded barrier to protect the surface.
- ⊘  ● Do not place furniture outside . For indoor use only.
- ⊘  ● Stains may be removed with mild soap solution and damp cloth.
- ⊘  ● Children should not climb or jump on the furniture.
- ✓  ● Dust and pick-up spills using a clean, non-colored, lint-free cloth.

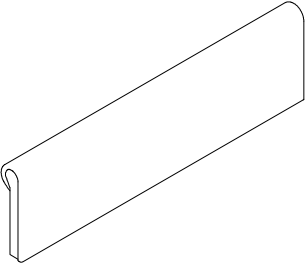
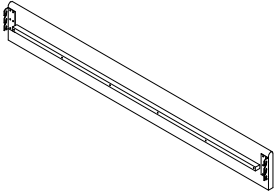
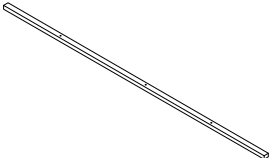
Please look in the magic tape pouch for hardware packs and legs.

Sets often ship in multiple boxes and may arrive a day or two apart.

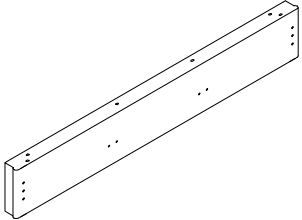
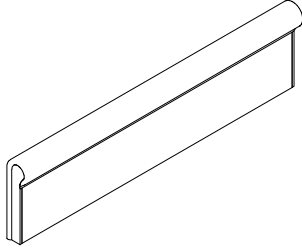


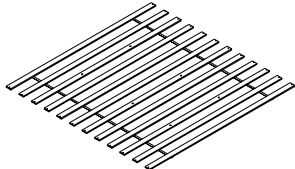
KING BED



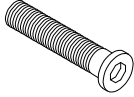


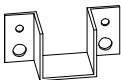
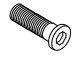
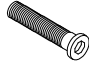
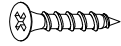
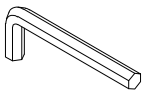
Part List

| Label | Picture | Description | QTY |
|-------|---|--------------------|-----|
| A |  | Headboard | 1 |
| C |  | Side rail | 2 |
| F |  | Middle support bar | 2 |

Part List

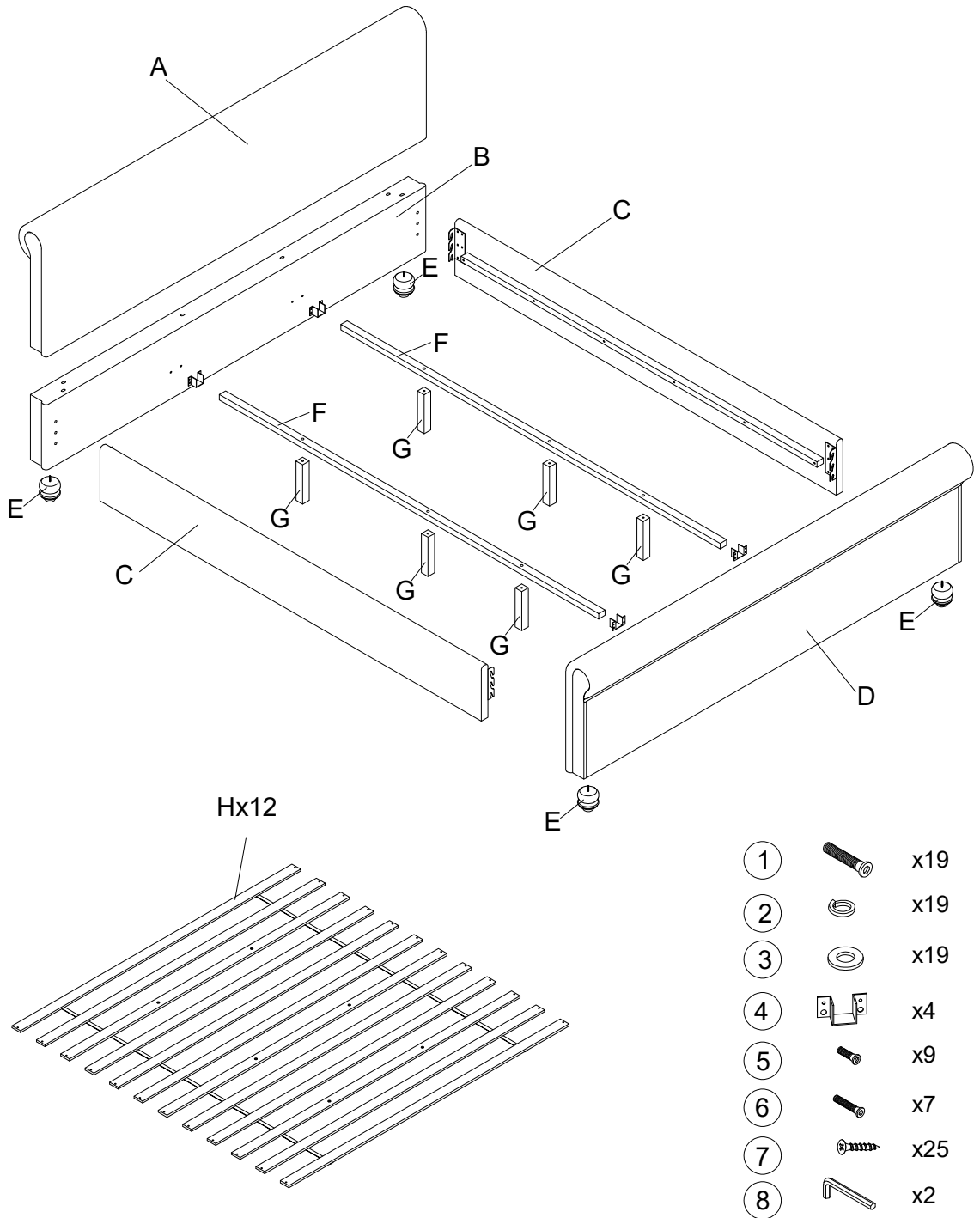
| Label | Picture | Description | QTY |
|-------|---|---------------------|-----|
| B |  | Headboard below | 1 |
| D |  | Footboard | 1 |
| E |  | Bed legs | 4 |
| G |  | Middle support legs | 6 |
| H |  | Slats | 1 |

Hardware

| Label | Picture | Description | QTY |
|-------|---|---------------------------|-----|
| ① |  | Bolts 5/16"x32 mm | 19 |
| ② |  | Spring washer 5/16"xØ13mm | 19 |
| ③ |  | Flat washer 5/16"xØ19mm | 19 |
| ④ |  | U-bracket | 4 |
| ⑤ |  | Bolts 1/4"x25 mm | 9 |
| ⑥ |  | Bolts 1/4"x60 mm | 7 |
| ⑦ |  | Screws Ø4x30 mm | 25 |
| ⑧ |  | Allen wrench | 2 |

Assembly Preparation

Before Beginning Assembly:



● Read instructions, cover to cover-



● Have 2 adults on hand for assembly-



● Do not assemble on flooring or carpet-



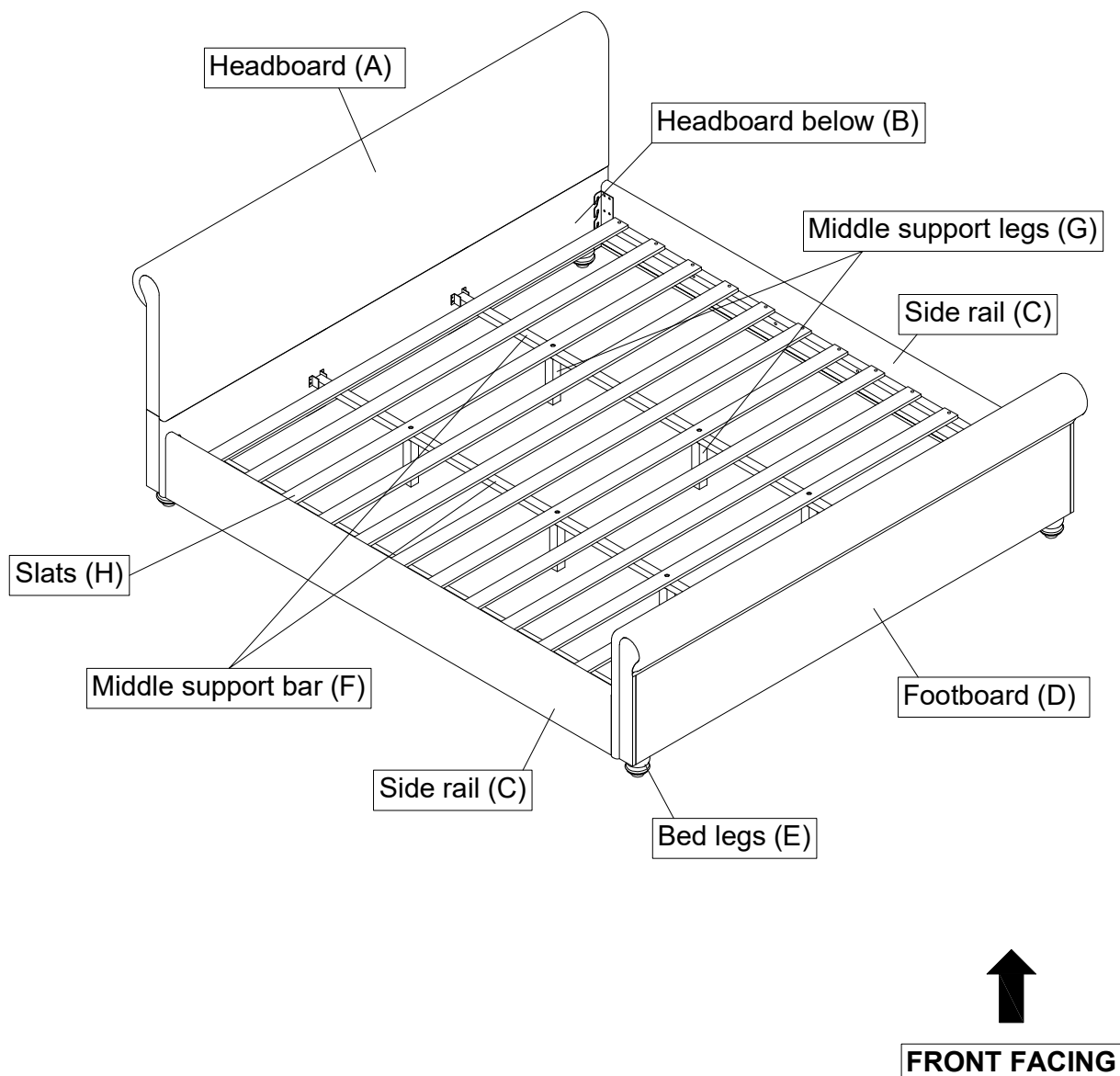
● Assemble on a clean non-marring surface (packing foam)-



● Save all packaging until finished-

Assembly Steps

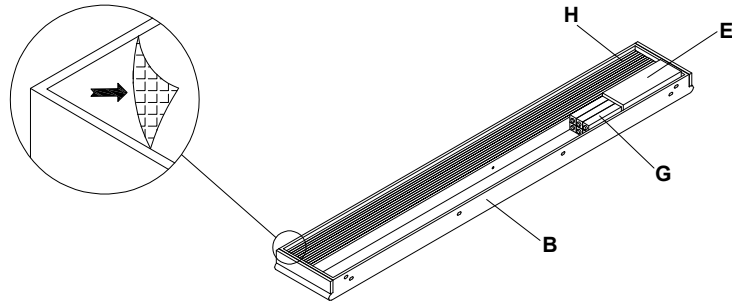
OVERVIEW



This Bed have multiple parts and may require up to 60 minutes to assemble. To give you an overview of the Bed parts, the above picture is to help you put the various parts into perspective. Please read through the instructions below to familiarise yourself with the parts and steps before assembly.

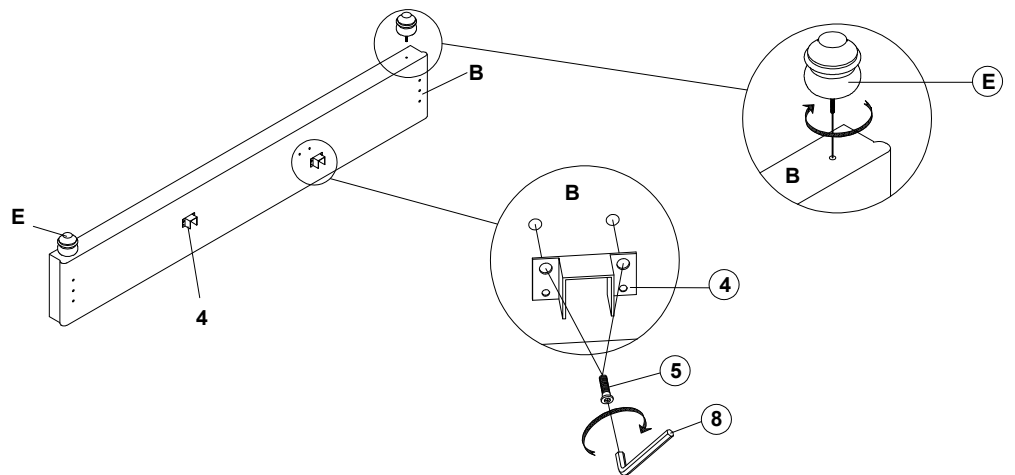
Note: It is recommended that you have an adult partner to assist during the entire assembly process.

Step 1



Open the black fabric and take out details bed legs (E), middle support legs (G), Slats (H)

Step 2



④ U-bracket x 2



⑤ Bolts x 4



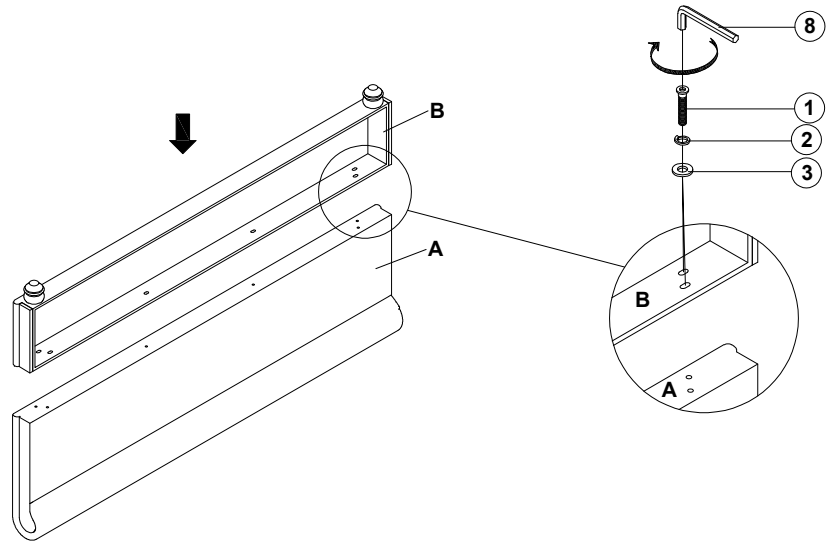
⑧ Allen wrench







Attach the bed legs (E) to the headboard below (B)

Attach the U-bracket (4) to the headboard below (B) using bolts (5), with allen wrench (8).

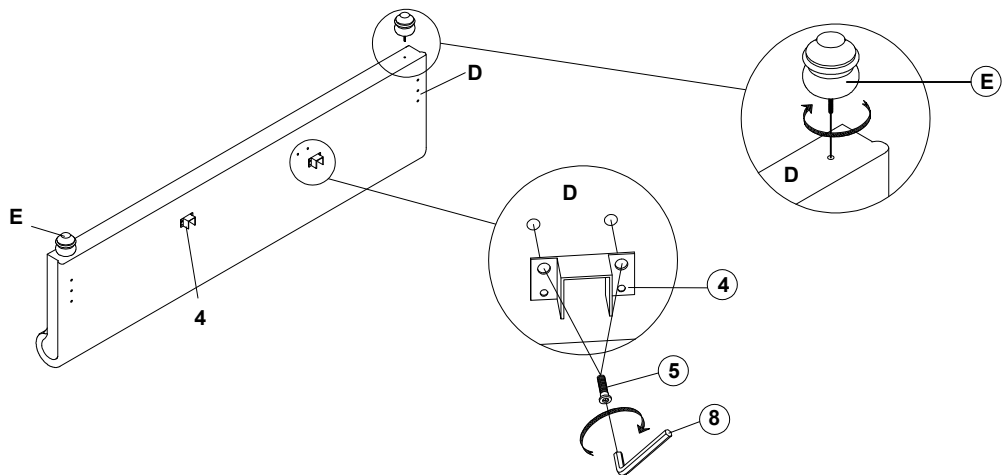
Step 3

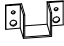




| | | | |
|--|---|---|---|
| 1 Bolts x 6  | 2 Spring washer x6  | 3 Flat washer x6  | 8 Allen wrench  |
|--|---|---|---|

Attach the headboard below (B) to the headboard (A) using bolts (1), spring washers (2) and Flat washers (3) with allen wrench (8)

Step 4

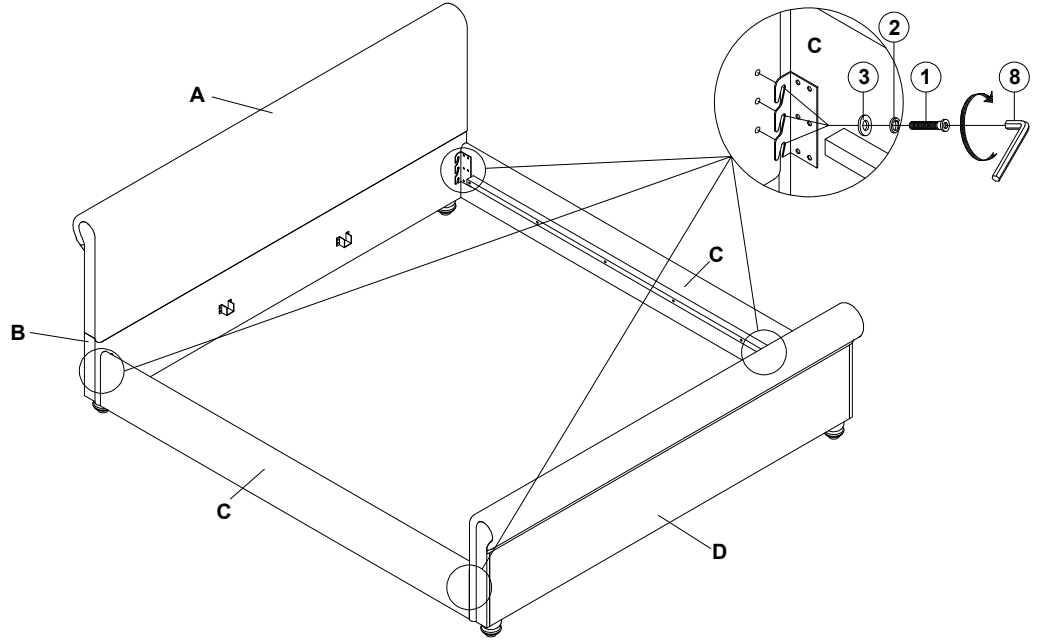






| | | |
|--|--|---|
| 4 U-bracket x 2  | 5 Bolts x 4  | 8 Allen wrench  |
|--|--|---|

Attach the bed legs (E) to the footboard (D)

Attach the U-bracket (4) to the the footboard (D) using bolts (5), with allen wrench (8).

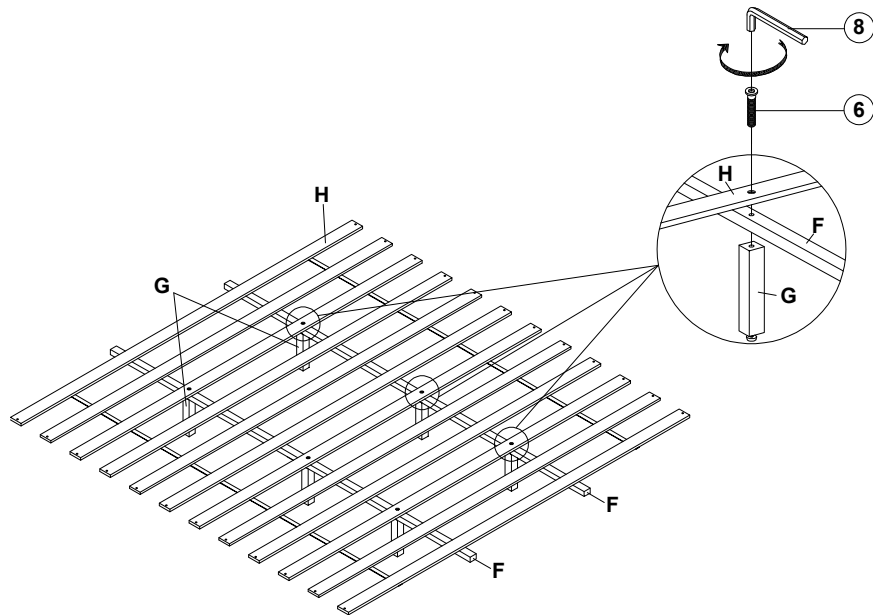
Step 5





| | | | |
|---|--|--|---|
| ① Bolts x 12  | ② Spring washer x12  | ③ Flat washer x12  | ⑧ Allen wrench  |
|---|--|--|---|

Attach the side rail (C) to the headboard (A/B) and the footboard (D) using bolts (1), spring washers (2) and Flat washers (3) with Allen wrench (8)

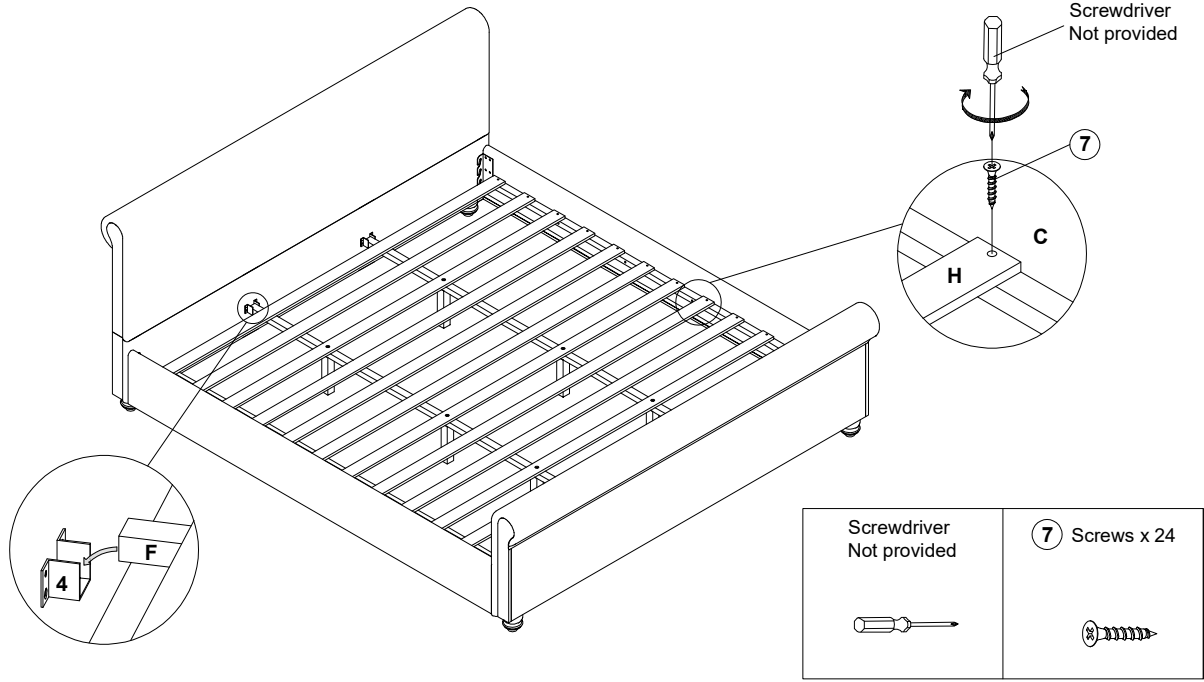
Step 6



| | |
|--|---|
| ⑥ Bolts x 6  | ⑧ Allen wrench  |
|--|---|

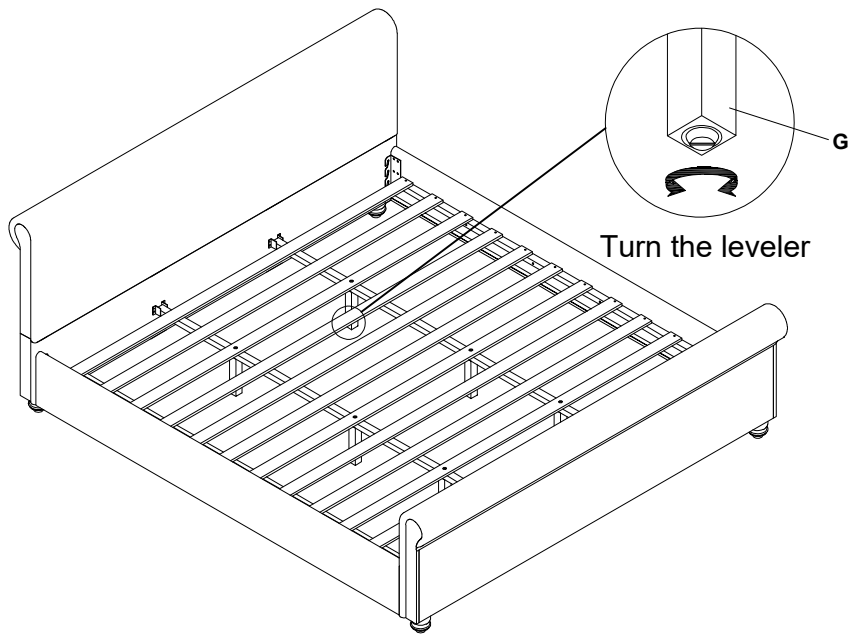
Attach the middle support legs (G) to middle support bar (F) and the slats (H) using bolts (6), with allen wrench (8).

Step 7



Attach the completed slats (H), Middle support bar (F), Middle support legs(G) to the side rail (C) using screws (7), by screwdriver (Not provided)
Secure the middle support bar (F) to the U-bracket (4)

Step 8



For the middle support legs (G), turn the leveler in to retract and out to extend.

Place the Bed on a LEVEL SURFACE.
Inspect it and make sure all parts are adequately connected
Don't push too hard, shake on the bed.
This would help to align all the parts at all the joint areas.

CAUTION 1: When tightening these screws, tighten sequentially. DO NOT tighten any screw fully and then towards the next one. This would cause the frame to warp.If there is still wobbles, loosen the screws and execute this same process.DO NOT tighten any screw fully and then towards the next one.

WARNING!! IF BED IS NOT STABLE , IT COULD LEAD TO DAMAGING THE PRODUCT
Ensure all screws are fully ocked into position.The bed is ready to be used.

Caution 2: This Bed can only be used on a flat. level surface