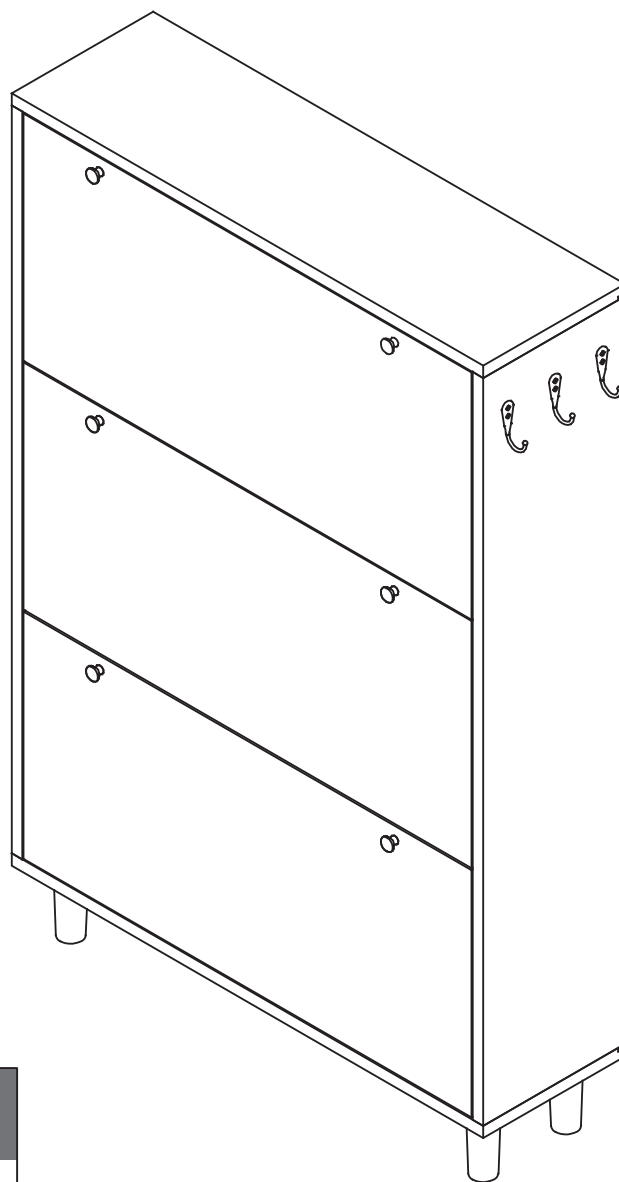


SHOE CABINET

Assembly Instructions - Please keep for future reference



Dimensions

Width-31.49inch

Depth-9.45inch

Height-47.64inch

Important – Please read these instructions fully before starting assembly



Safety and Care Advice

Important – Please read these instructions fully before starting assembly

- Check you have all the components and tools listed on the following pages.
- Remove all fittings from the plastic bags and separate them into their groups.
- Keep children and animals away from the work area, small parts could choke if swallowed.
- Make sure you have enough space to layout the parts before starting.

- During assembly do not stand or put weight on the product, this could cause damage.
- Assemble the item as close to its final position (in the same room) as possible.
- Assemble on a soft level surface to avoid damaging the unit or your floor.
- Parts of the assembly will be easier with 2 people.



power drill is set on a low torque setting.

- To reduce the likelihood of damaging your product please ensure that your

Care and maintenance

• Only clean using a damp cloth and mild detergent, do not use bleach or abrasive cleaners.

• From time to time check that there are no loose screws on this unit.

• This product should not be discarded with household waste. Take to your local authority waste disposal centre.

Handy Hints

• Assemble all parts and bolts loosely during assembly, only once the product is complete should you fully tighten the bolts

• Regularly check and ensure That all bolts and fittings are tightend properly.

WARNING
In order to help prevent overturning – please follow these instructions

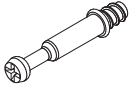

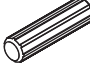

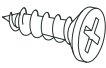

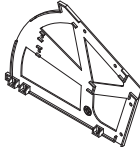
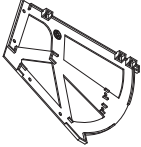


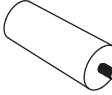
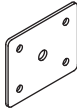


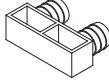
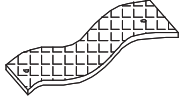
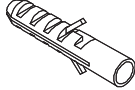



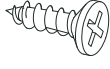

To help prevent product toppling over please follow the below steps:-

- Use the anti tip stap or wall fixing method provided (if applicable)
- Do not allow children to climb or hang on the furniture
- Do not open more than one drawer at a time
- Do not place heavy items in the top drawers
- Do not place heavy items on top of the furniture, unless the furniture has been designed for this purpose

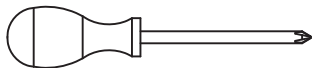
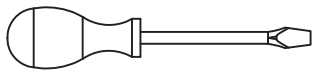
Components - Fittings

Please check you have all the panels listed below

Note: The quantities below are the correct amount to complete the assembly. In some cases more fittings may be supplied than are required.

<p>(A)  Cam Bolt x 12+1</p>	<p>(B)  Cam lock x 12+1</p>	<p>(C)  Dowel x 8+1</p>	<p>(D)  4*35mm Screw x 6+1</p>
<p>(E)  4*14mm Screw x 42+1</p>	<p>(F)  4*14mm Screw x 18+1</p>	<p>(G)  G*3</p>	<p>(H)  H*3</p>
<p>(I)  M4*16mm Screw x 6</p>	<p>(J)  J x 6</p>	<p>(K)  K x 4</p>	<p>(L)  Lx 4</p>
<p>(M)  Mx6</p>	<p>(N)  Nx6</p>	<p>(O)  Ox6</p>	<p>(P)  Px2</p>
<p>(Q)  Qx2</p>	<p>(R)  Rx12</p>	<p>(S)  3*16mm Screw x 12+1</p>	<p>(T)  Tx4</p>
<p>(U)  3*12mm Screw x 6</p>	<p>(V)  V x 3</p>		

Tools required



Phillips screwdriver
(medium & large)

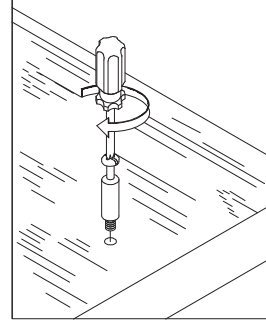
Using Camlocks

Step 1

Connect the male camlock as directed in the assembly instructions using a screwdriver.

1

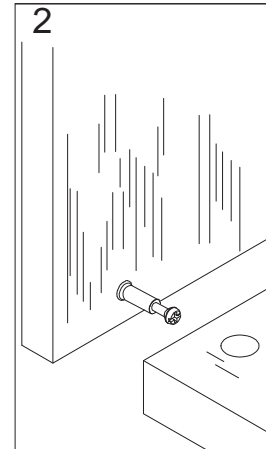
DO NOT OVER TIGHTEN.
NE PAS SERRER EXCESSIVEMENT.



Step 2

Push the male camlock into the entry hole.

2

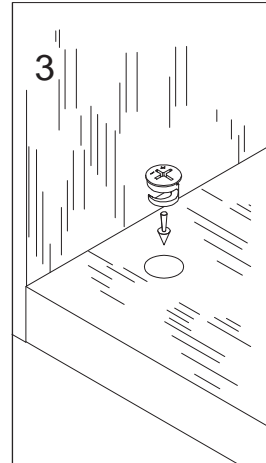


Step 3

Insert the female camlock as shown in the instruction.

Note: ensure that the arrow on the top of the camlock points towards the entry hole for the male camlock.

3



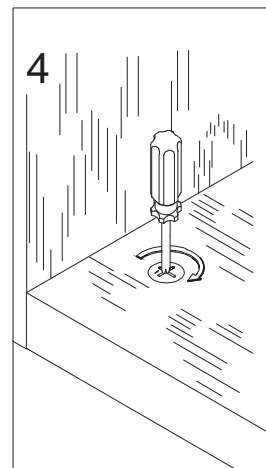
Step 4

Turn the female camlock clockwise with a screwdriver.

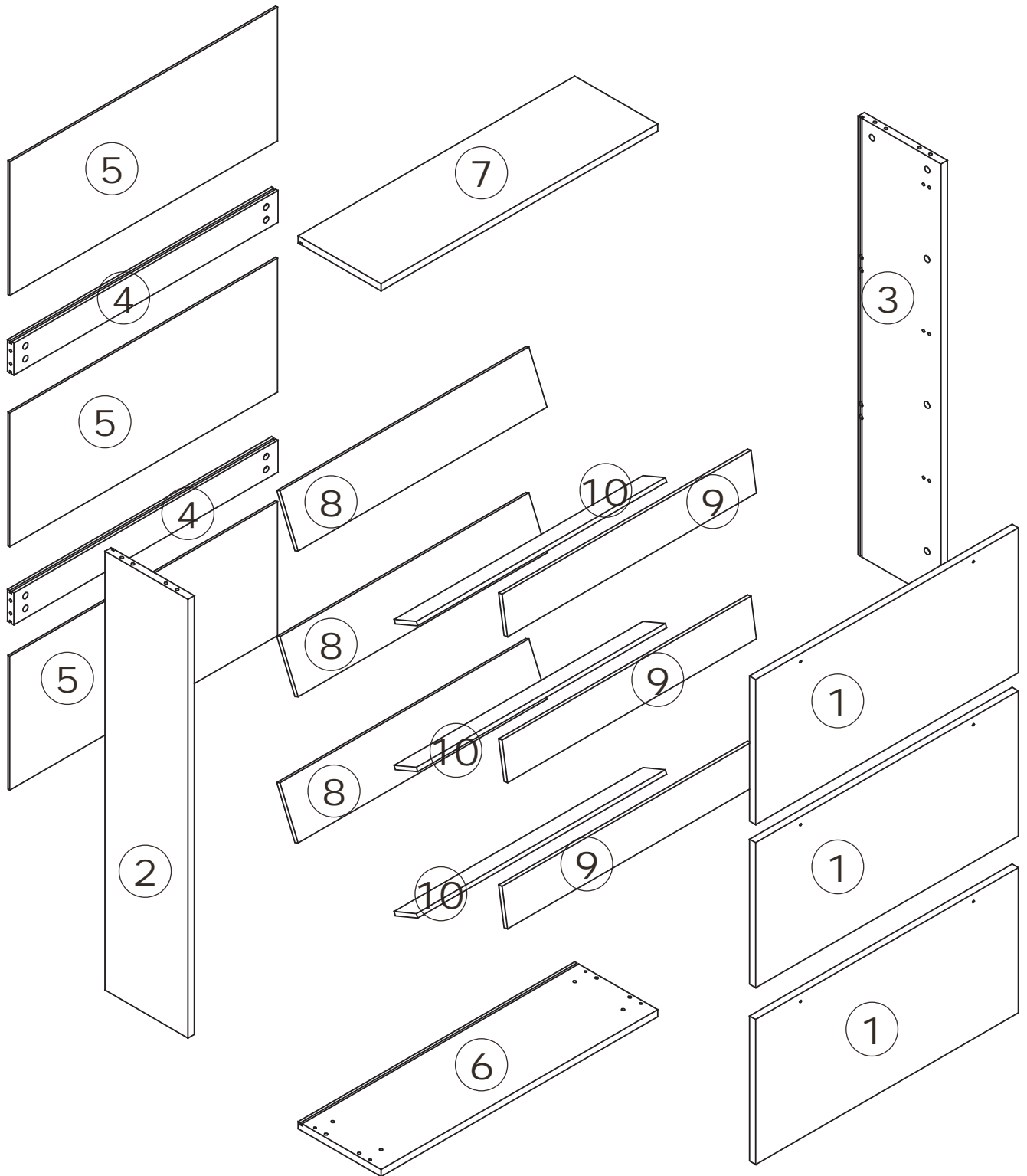
You should feel a click when the camlock is locked in place.

The joint is now secure.

4

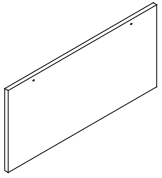


Assembly Instructions



Assembly Instructions

① X 3



762x346x12

② X 1



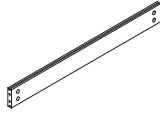
1070x238x15

③ X 1



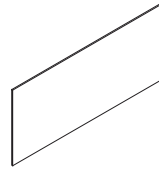
1070x238x15

④ X 2



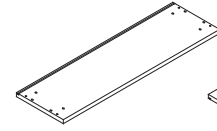
768x69x15

⑤ X 3



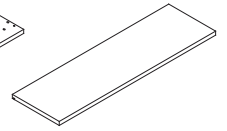
755x316x3

⑥ X 1



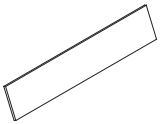
800x238x15

⑦ X 1



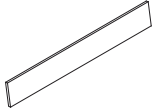
800x238x15

⑧ X 3



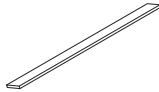
755x136x12

⑨ X 3



755x136x12

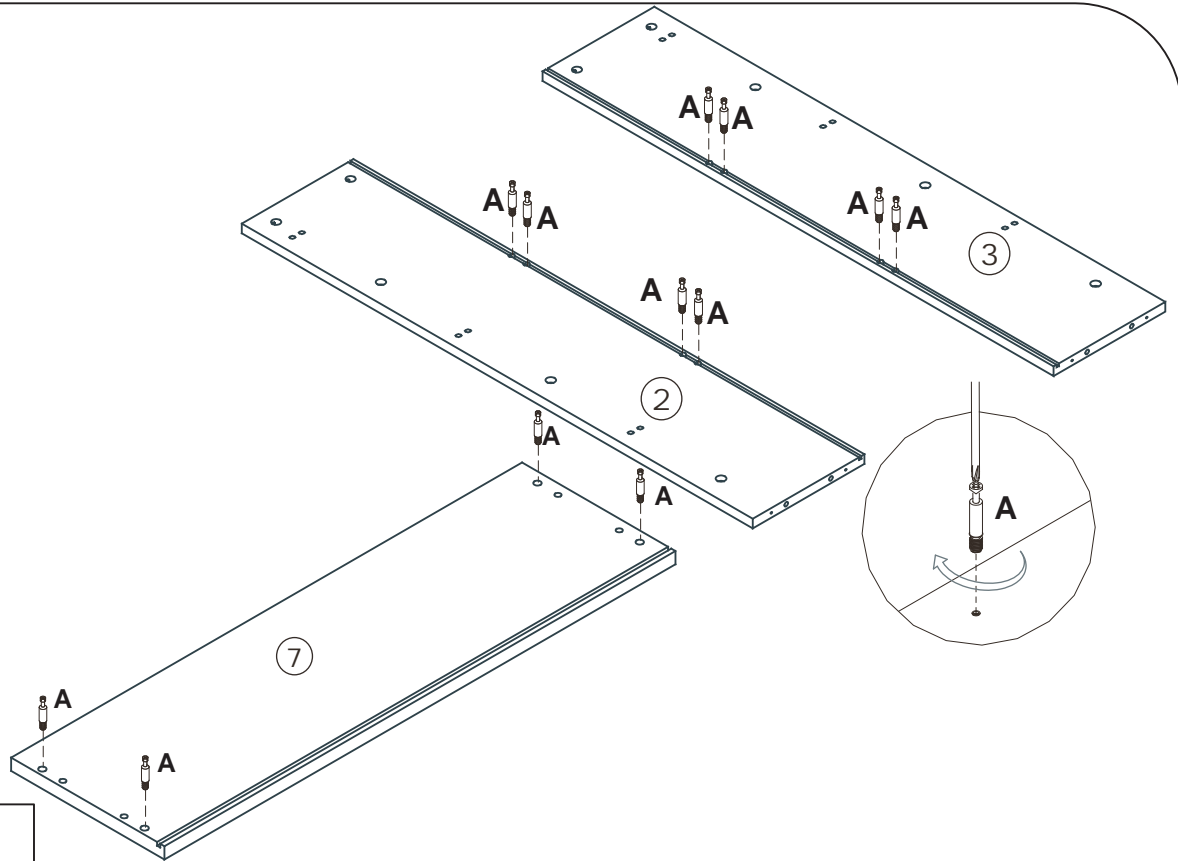
⑩ X 3



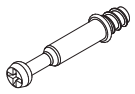
755x79x12

Assembly Instructions

Step 1

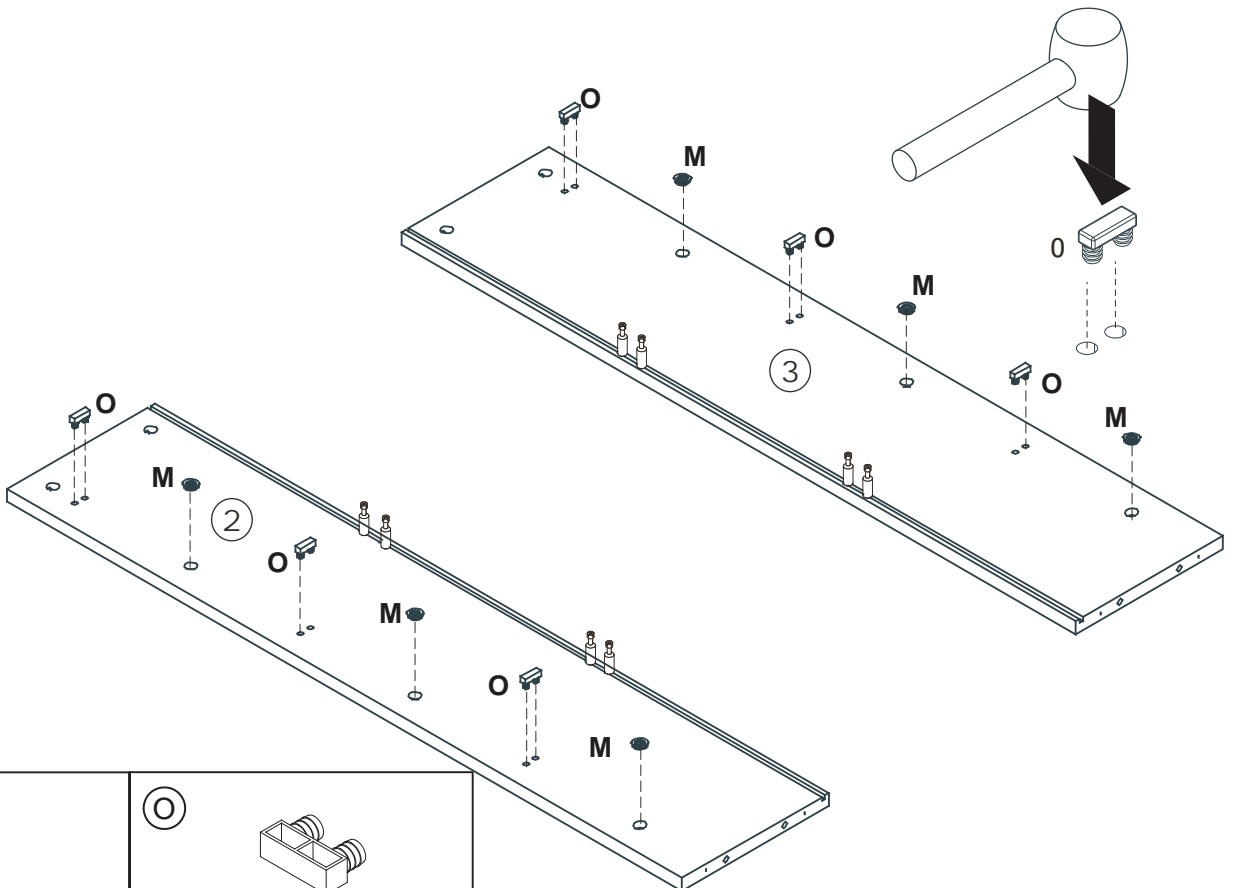


(A)



Cam Bolt x 12

Step 2

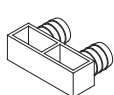


(M)



M x 6

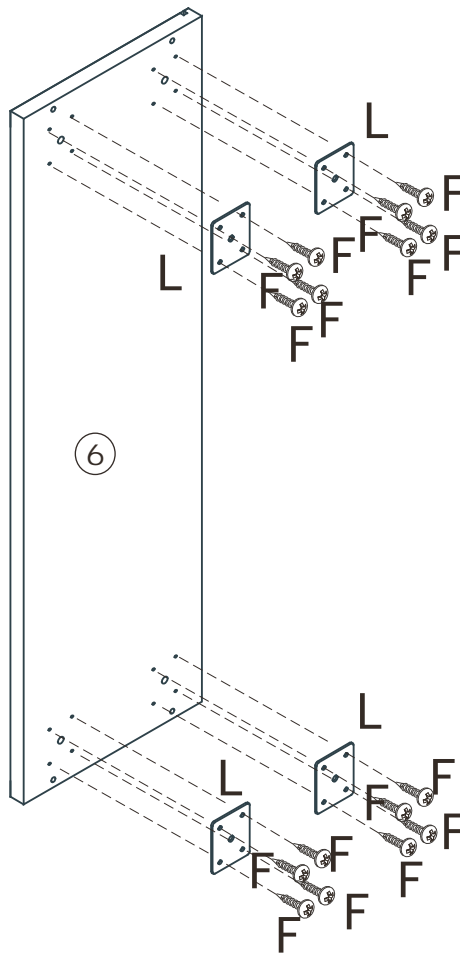
(O)



O x 6

Assembly Instructions

Step 3

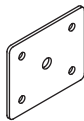


(F)



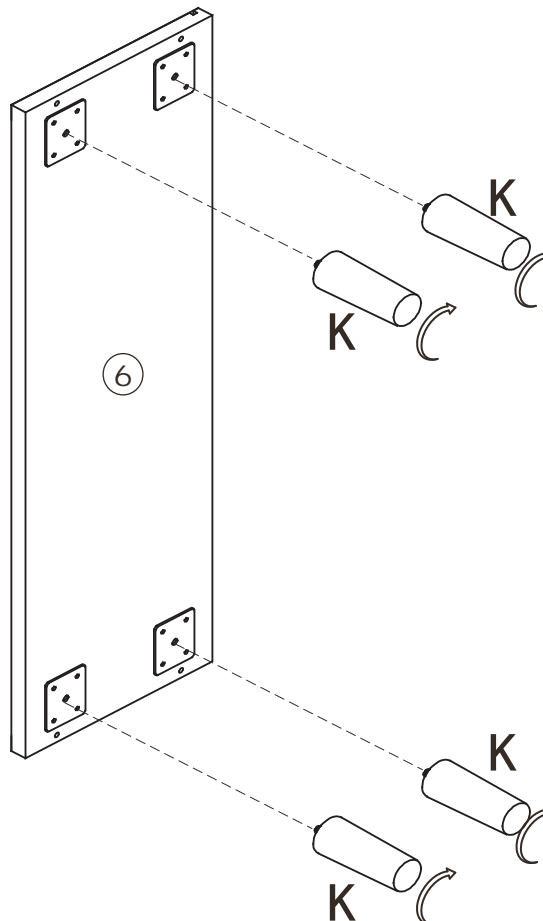
4*14mm Screw x 16

(L)

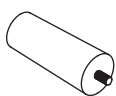


L x 4

Step 4



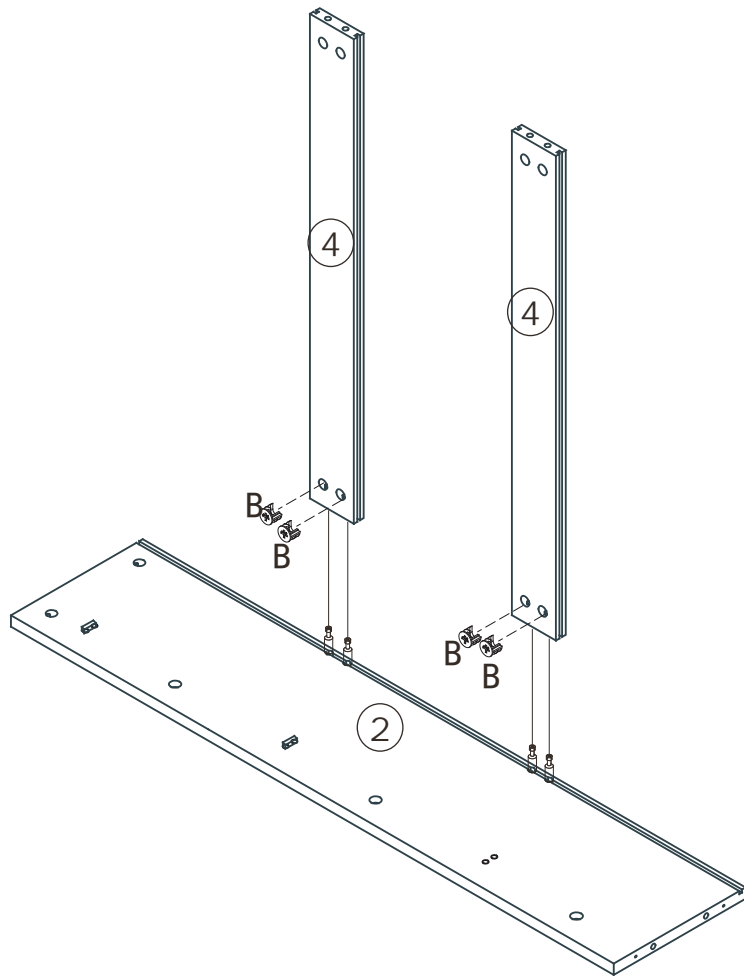
(K)



K x 4

Assembly Instructions

Step 5

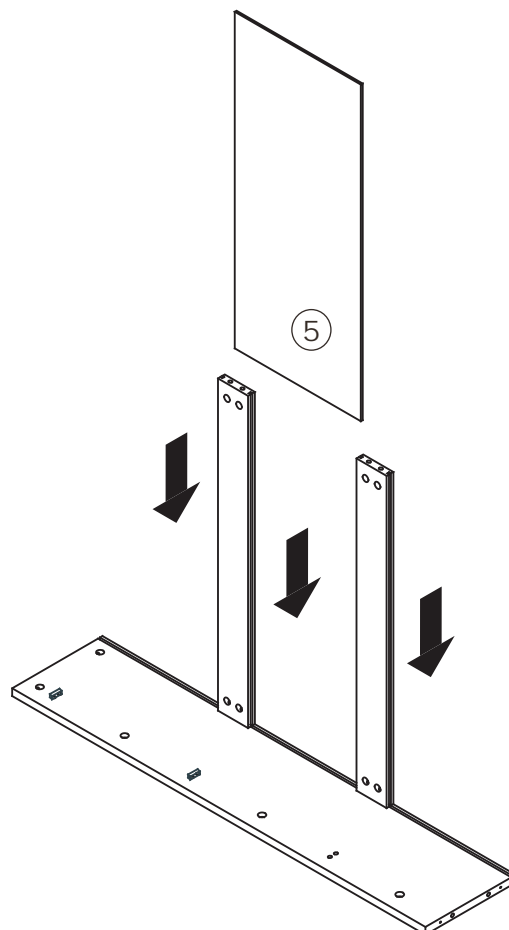


(B)



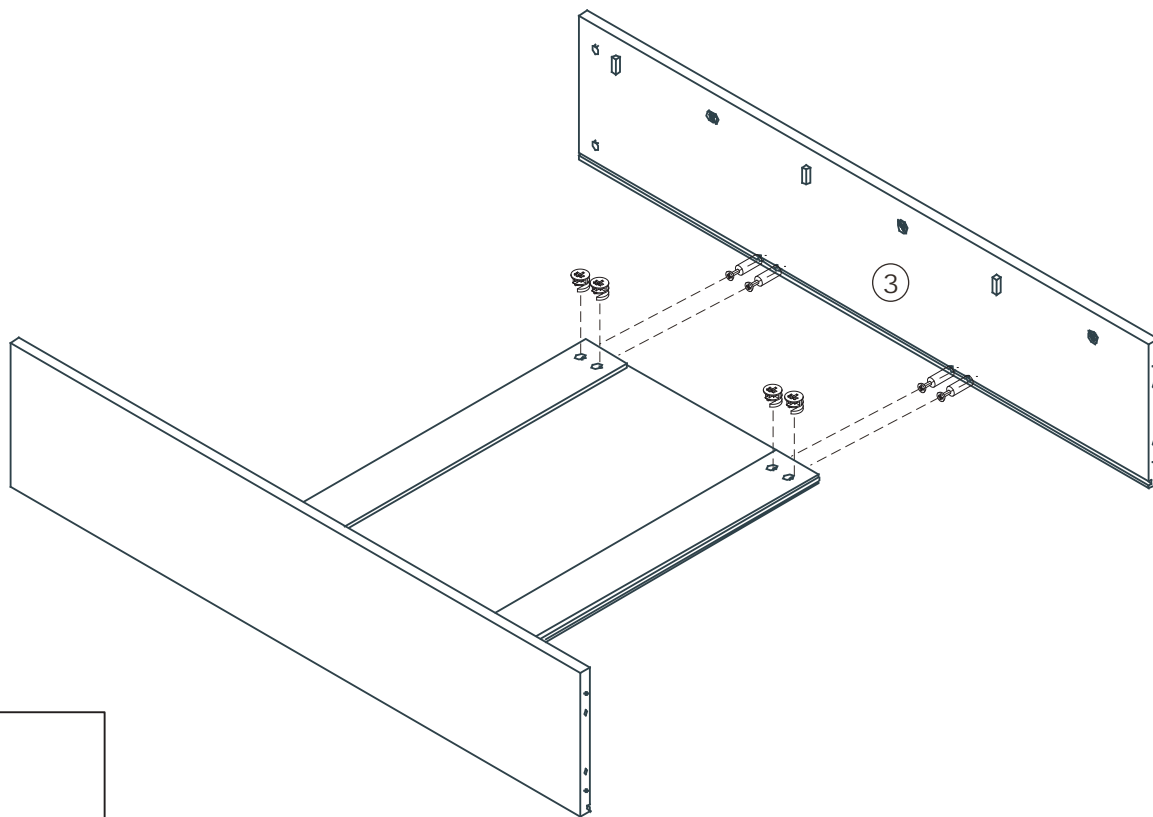
Cam lock x 4

Step 6



Assembly Instructions

Step 7

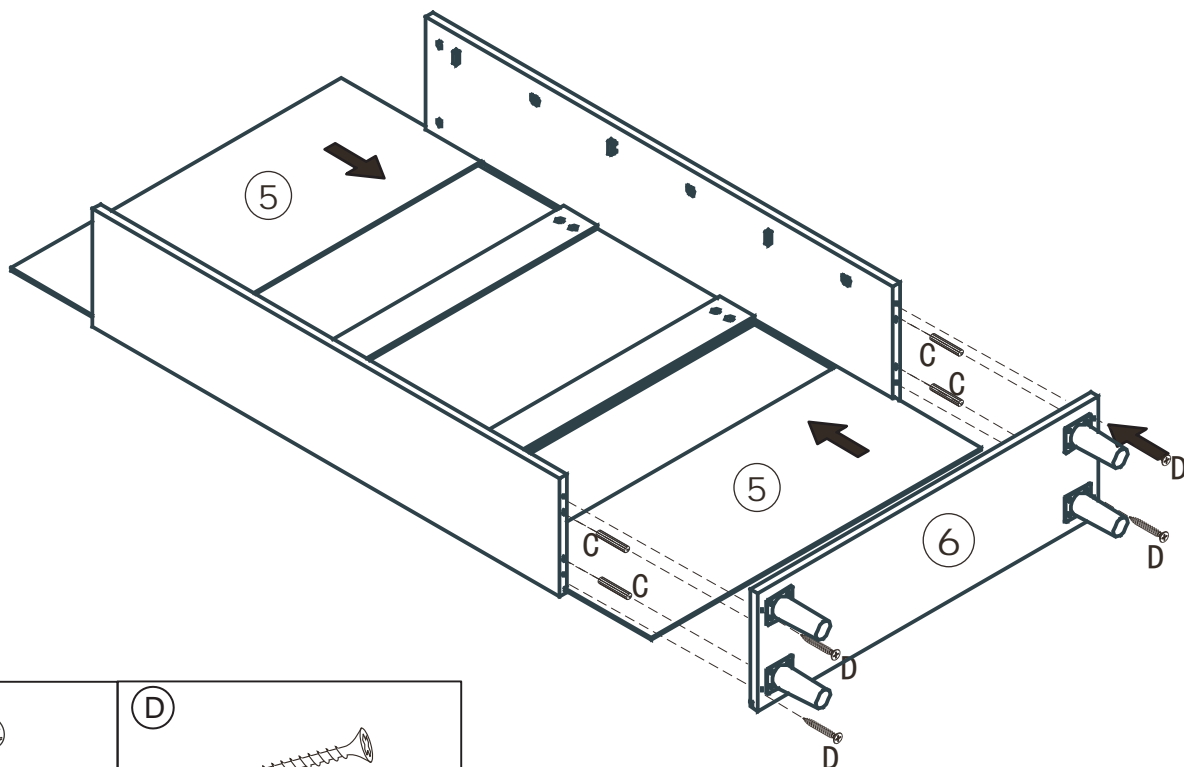


(B)

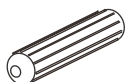


Cam lock x 4

Step 8



(C)



Dowel x 4

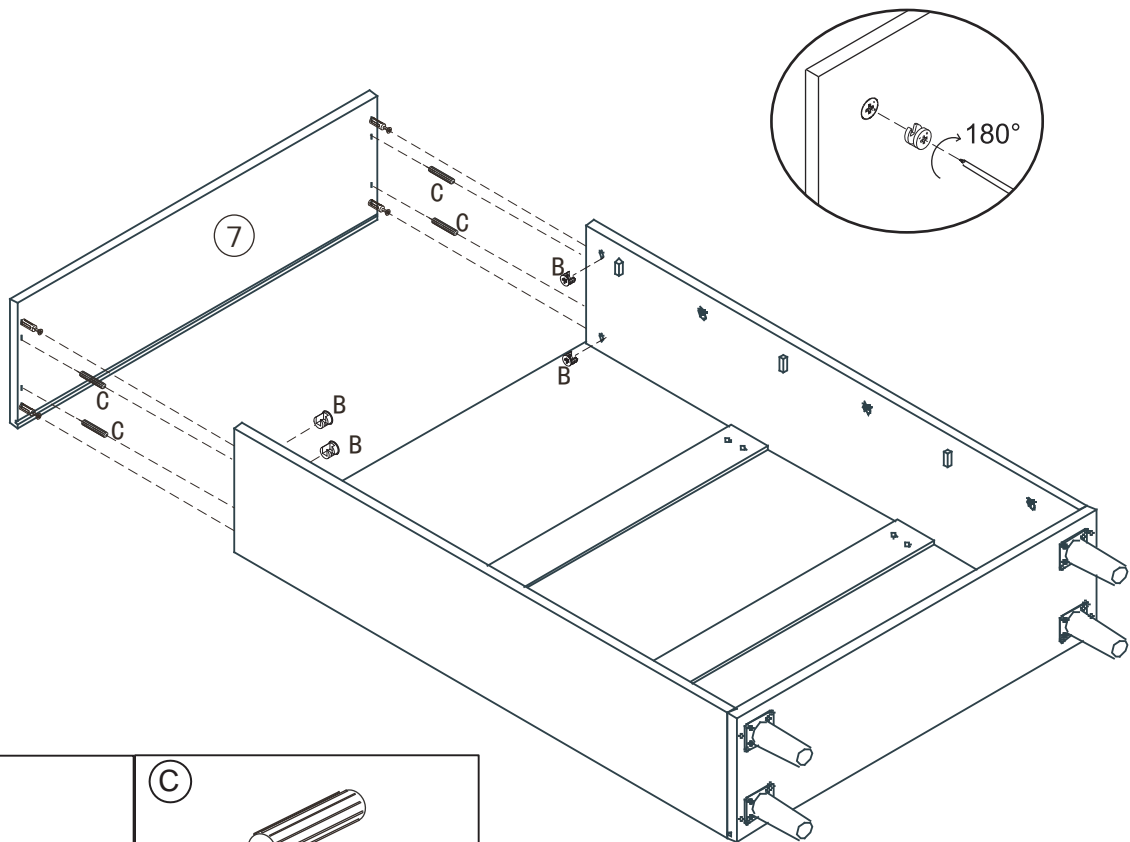
(D)



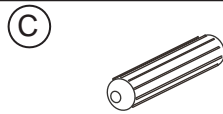
4*35mm Screw x 4

Assembly Instructions

Step 9

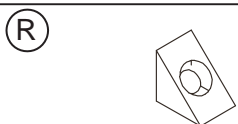
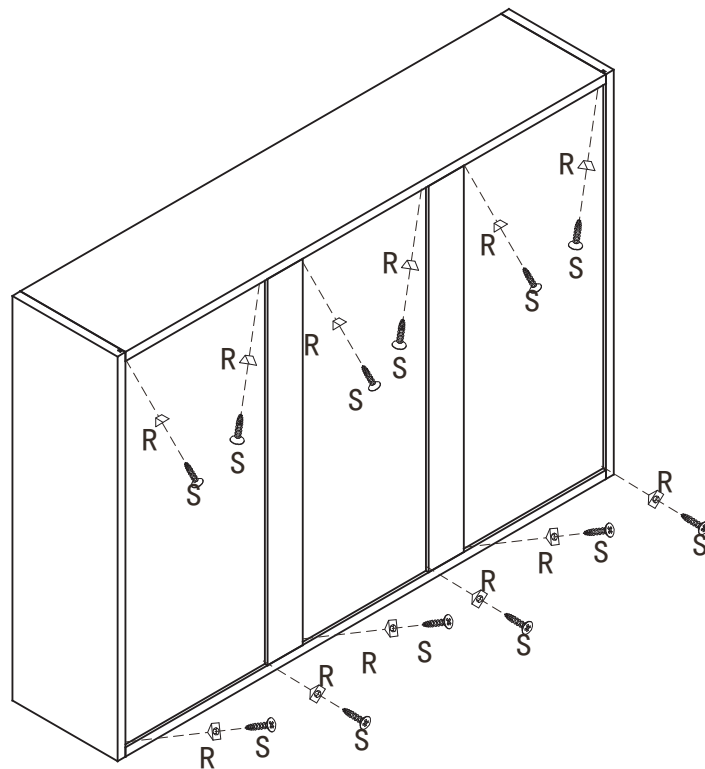


Cam lock x 4



Dowel x 4

Step 10



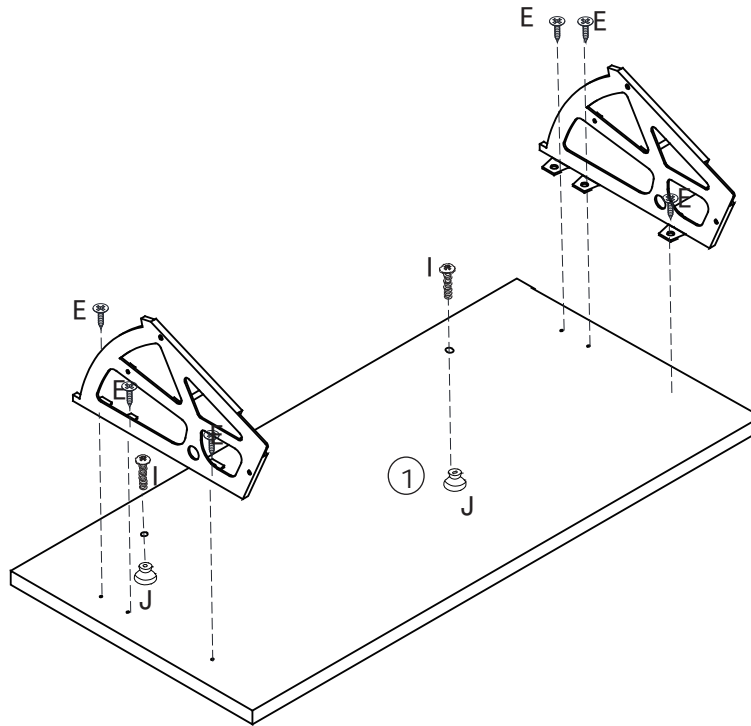
R x 12



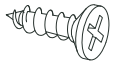
3*16mm Screw x 12

Assembly Instructions

Step 11



(E)



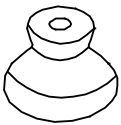
4*14mm Screw x 18

(I)

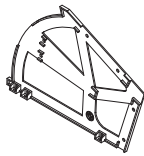


4*16mm Screw x 6

(J)

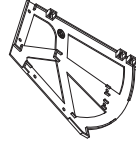


(G)



G x 3

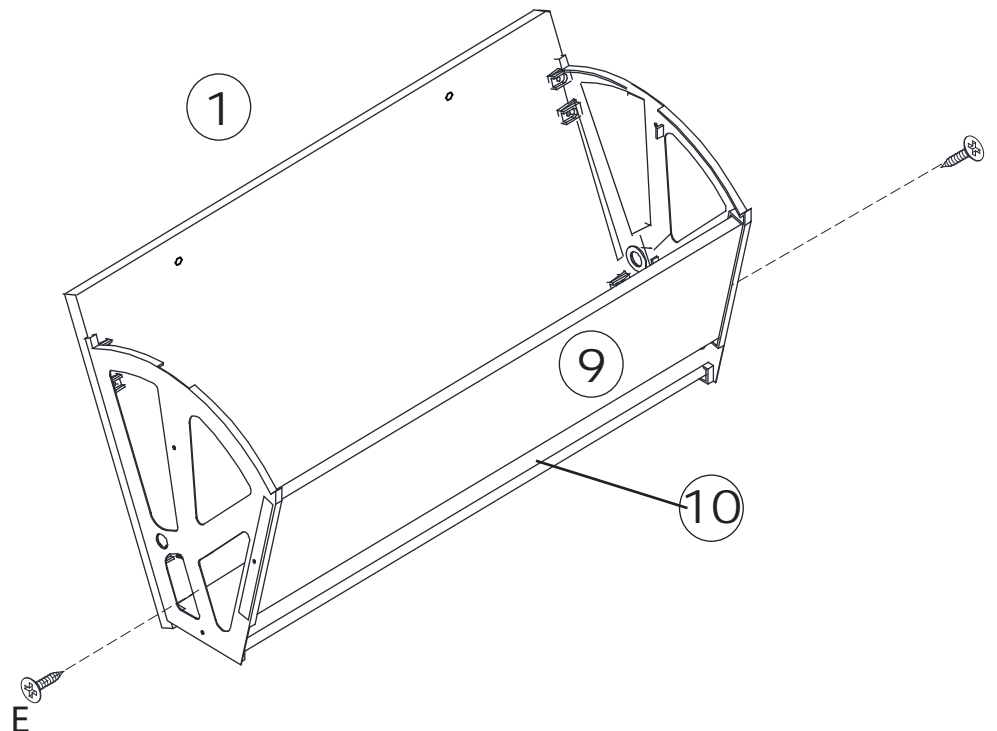
(H)



H x 3

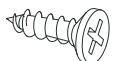
X3

Step 12



X3

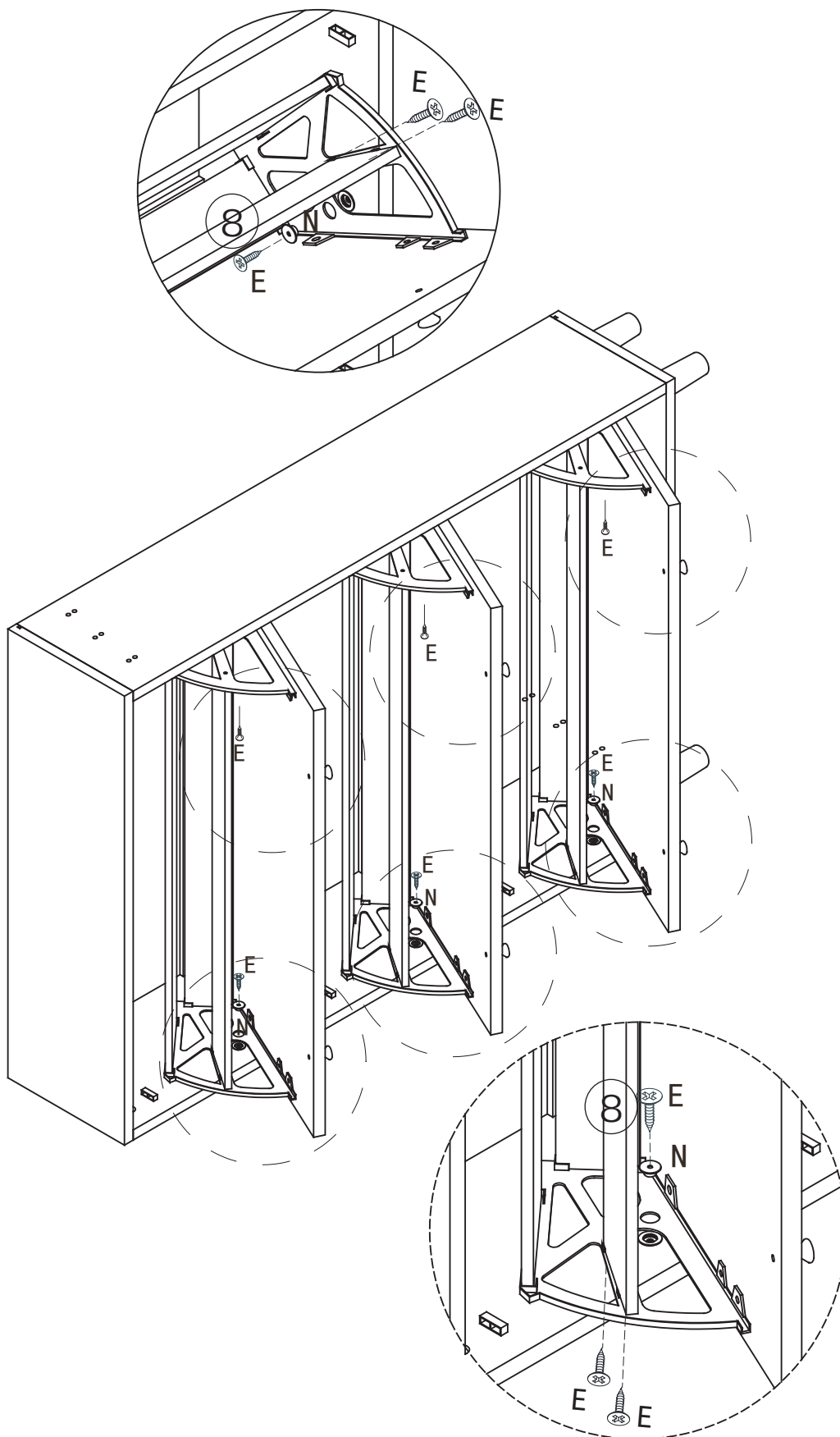
(E)

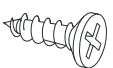



4*14mm Screw x 6

Assembly Instructions

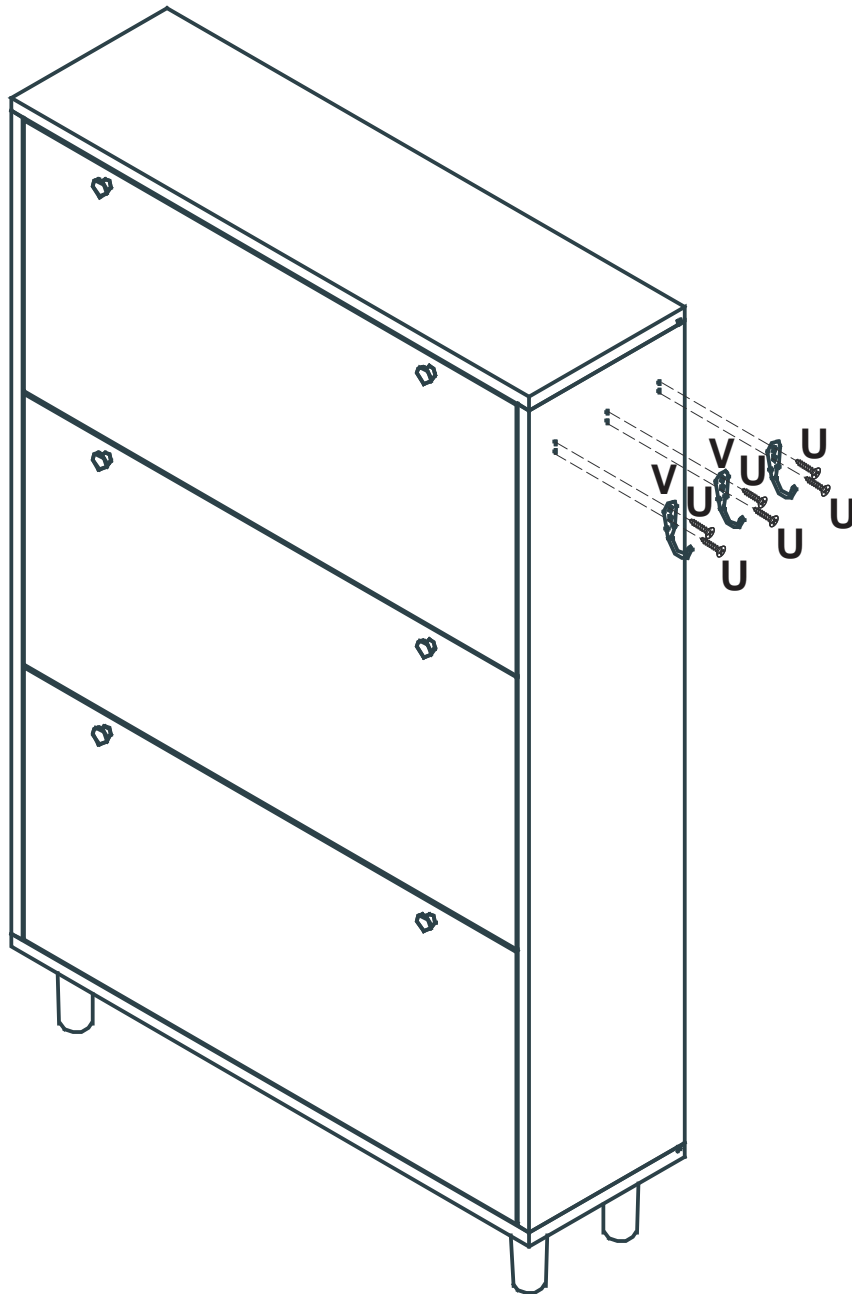
Step 13

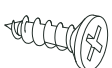



<p>(E)</p>  <p>4*14mm Screw x 18</p>	<p>(N)</p>  <p>N x 6</p>
---	---

Assembly Instructions

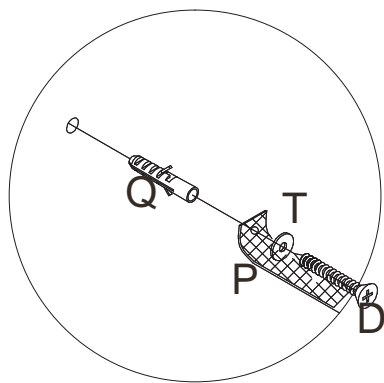
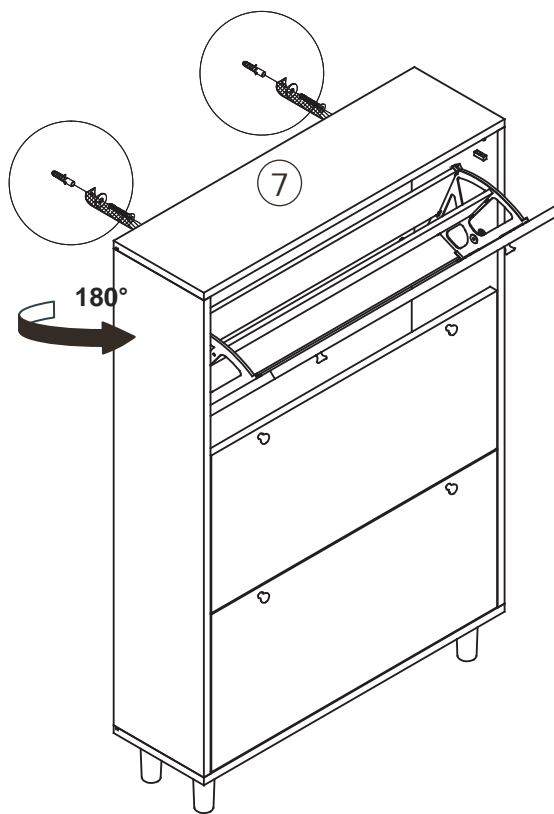
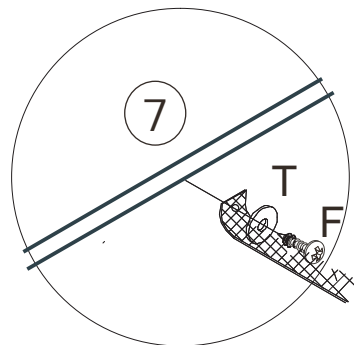
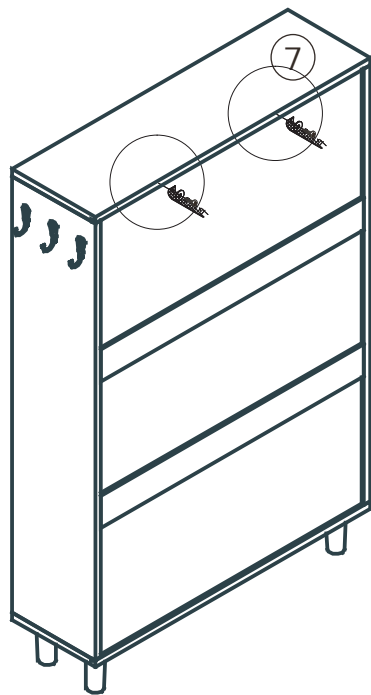
Step 14


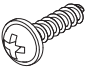
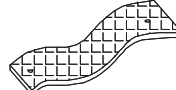
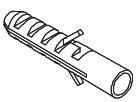



<p>U</p>  <p>3*12mm Screw x 6</p>	<p>V</p>  <p>V x 3</p>
--	---

Assembly Instructions

Step 15



<p>(D)</p>  <p>4*35mm Screw x 2</p>	<p>(F)</p>  <p>Dowel x 2</p>	<p>(P)</p>  <p>Dowel x 2</p>
<p>(Q)</p>  <p>Dowel x 2</p>	<p>(T)</p>  <p>Dowel x 4</p>	

Assembly Instructions

