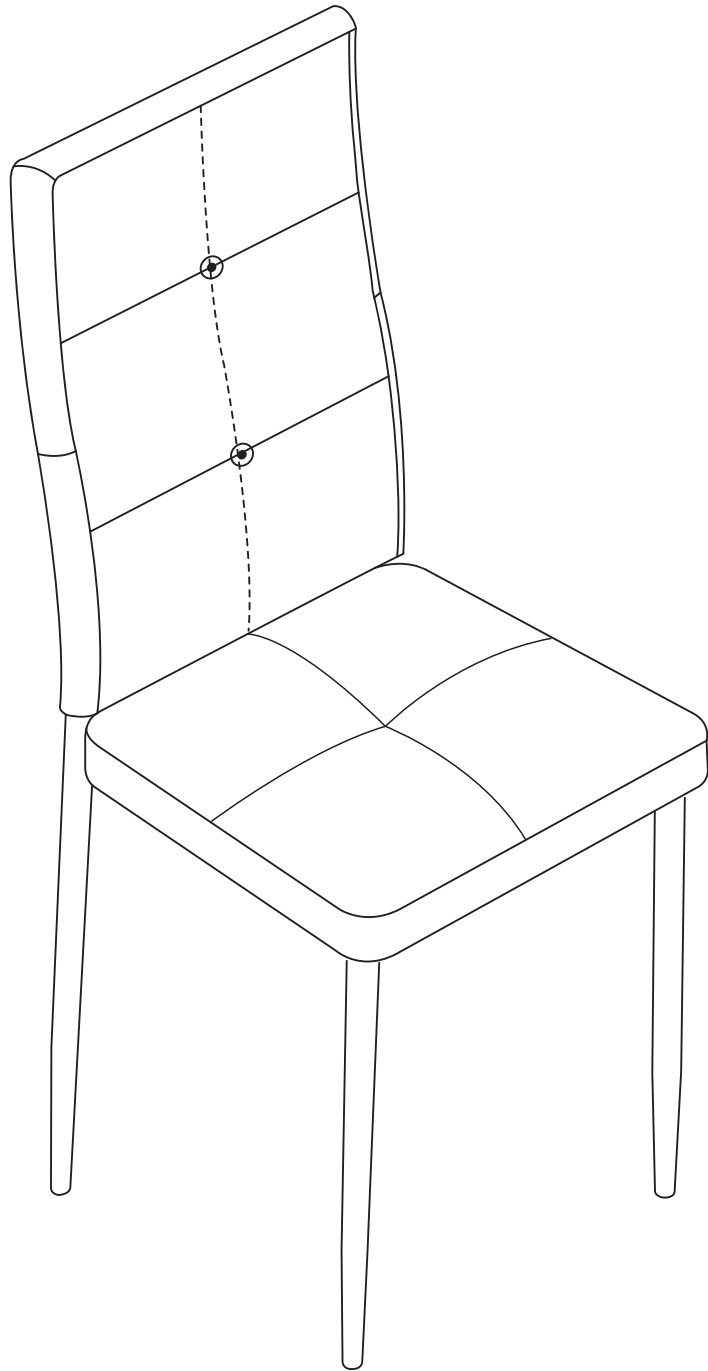
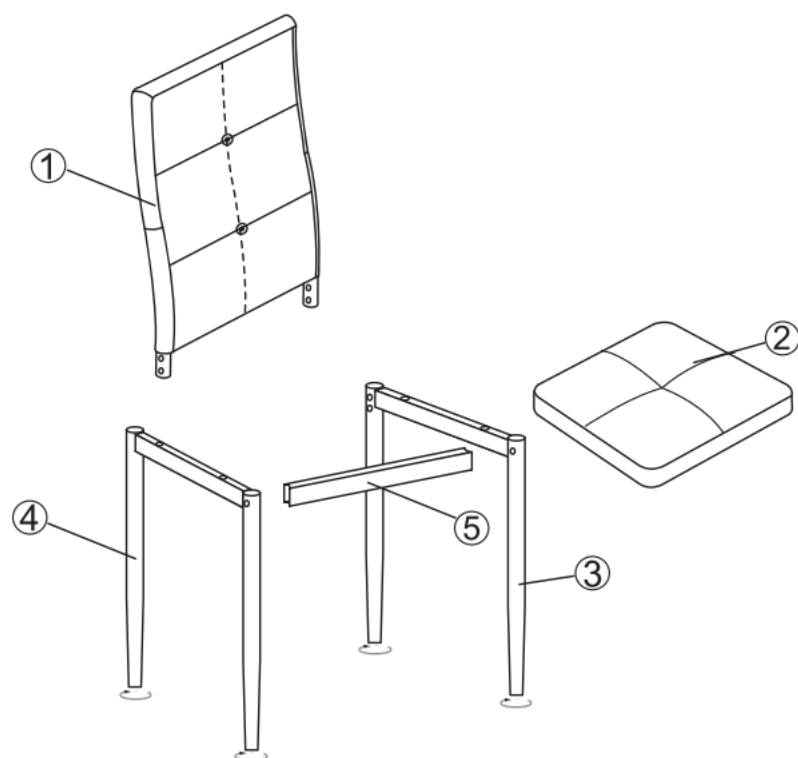


DC003 Assembly Instructions









Parts List



P.1

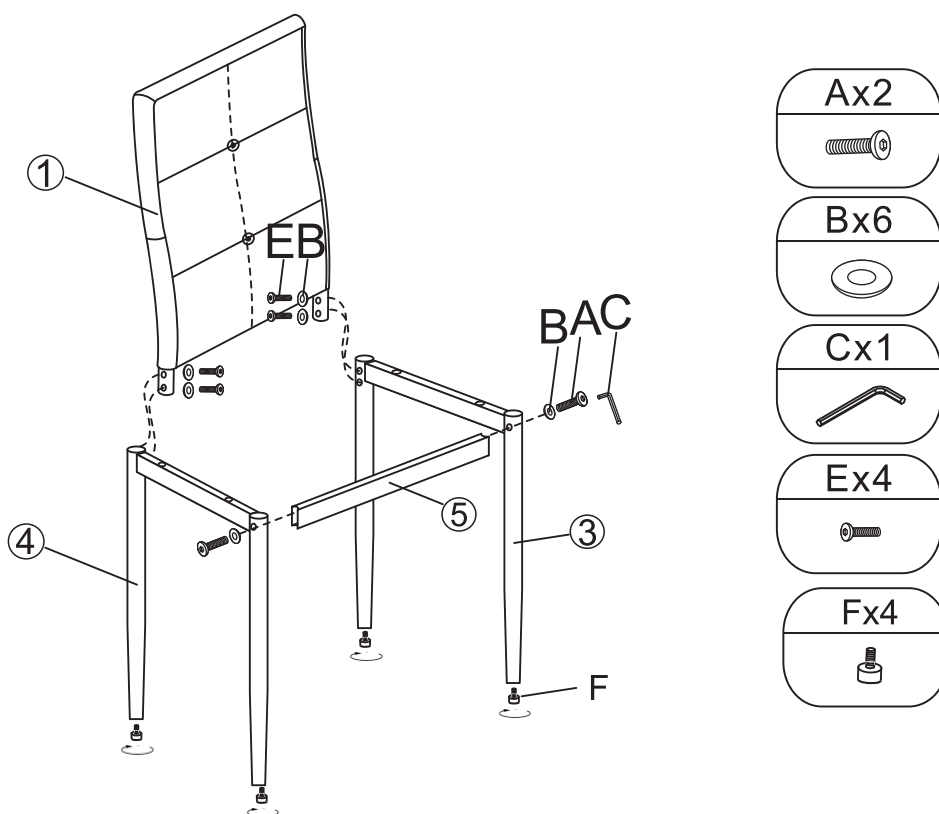
Accessory List

<p>Ax2</p>  <p>M6x40</p>	<p>Bx10</p>  <p>M6x14</p>	<p>Cx1</p>  <p>M5</p>	<p>Dx4</p>  <p>M4x45</p>
<p>Ex4</p>  <p>M6x14</p>	<p>Fx4</p> 		

P.2

STEP I

The degree of screw tightening is initially controlled at 50%.



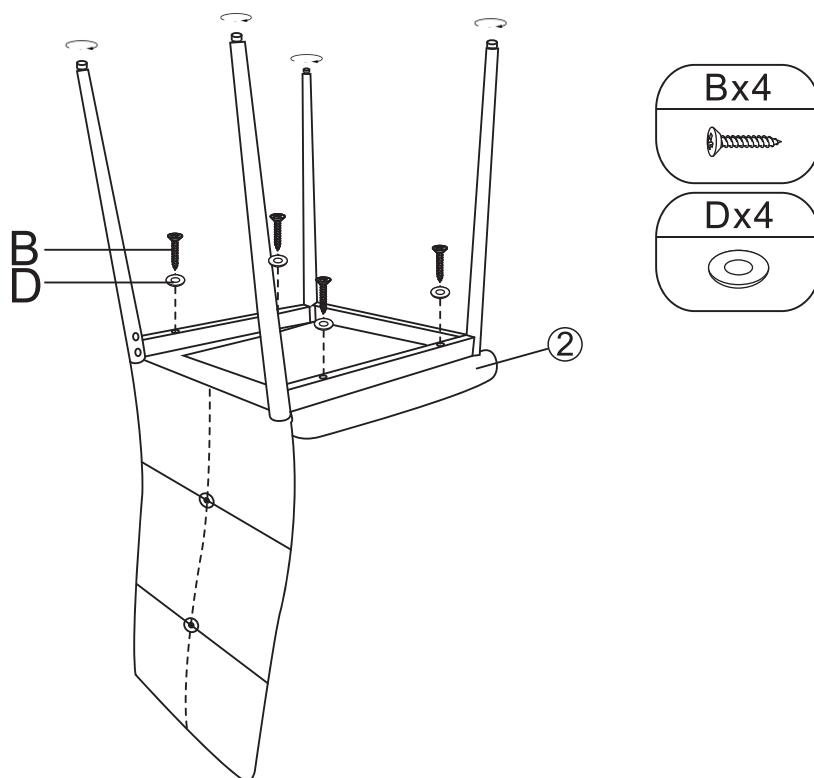
P.3

CHAIR AS A STEP LADDER :

- USE THIS PRODUCT ONLY FOR SEATING ONE PERSON AT A TIME.
- DO NOT USE THIS CHAIR UNLESS ALL BOLTS, SCREWS AND KNOBS ARE FIRMLY SECURED.
- CHECK ALL PARTS TO BE COMPLETE TIGHTED BEFORE USING, AND RECHECK EVERY 4 MONTHS AFTER AT LEAST.
- IF PARTS ARE MISSING, BROKEN, DAMAGED OR WORN, STOP USING THIS PRODUCT UNTIL REPAIRS ARE MADE USING FACTORY AUTHORIZED PARTS.
- FAILURE TO FOLLOW THESE WARNINGS COULD RESULT IN SERIOUS INJURY.

STEP 2

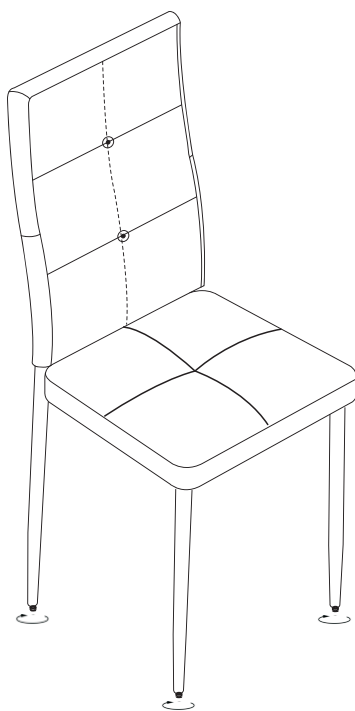
The degree of screw tightening is initially controlled at 50%.



P.4

STEP 3

Tighten all screws to their final positions to complete the assembly.



P.5